

REVISION

MODEL 172 (SERIES 1996 AND ON) ILLUSTRATED PARTS CATALOG

**REVISION 24
1 JULY 2016**

172RPC24

**The entire manual is provided with this revision. Please
replace your current manual in its entirety.**

Illustrated Parts Catalog

MODEL 172

(SERIES 1996 AND ON)



COPYRIGHT © 1997
CESSNA AIRCRAFT COMPANY
WICHITA, KANSAS, USA

172RPC24

2 DECEMBER 1997

REVISION 24

1 JULY 2016

CESSNA AIRCRAFT COMPANY
MODEL 172 (SERIES 1996 AND ON)
ILLUSTRATED PARTS CATALOG

CHAPTER SECTION SUBJECT	NUMBER OF PAGES	DATE
00 - TITLE		
00 - LIST OF EFFECTIVE PAGES		
00 - RECORD OF REVISIONS		
LIST OF REVISIONS	1	Jul 1/2016
INTRODUCTION	11	Jul 1/2015
ICA SUPPLEMENT LIST	1	Jul 1/2016
SERVICE BULLETIN LIST	6	Jul 1/2016
SUPPLIER ADDRESS LIST	5	Jul 1/2016
ALPHABETICAL INDEX	21	Jul 1/2016
PART NUMBER INDEX	96	Jul 1/2016

CESSNA AIRCRAFT COMPANY
MODEL 172 (SERIES 1996 AND ON)
ILLUSTRATED PARTS CATALOG

LIST OF REVISIONS

1. Revision List

- A. This Illustrated Parts Catalog includes the original issue and the following listed revisions. To ensure that information in this manual is current, the revisions must be incorporated in the manual as they are issued.

Original Issue - 3 February 1997

Revision Number	Date	Revision Number	Date
1	16 May 1997	2	6 April 1998
3	6 January 1999	4	16 July 1999
5	15 January 2000	6	1 June 2000
7	15 January 2001	8	18 August 2001
9	15 February 2002	10	3 February 2003
11	6 December 2004	12	2 January 2006
13	3 July 2006	14	1 January 2007
15	1 July 2007	16	1 December 2007
17	1 January 2009	18	1 July 2010
19	1 January 2012	20	1 July 2012
21	1 July 2013	22	1 July 2014
23	1 July 2015	24	1 July 2016

2. Export Compliance

- A. This publication contains technical data and is subject to U.S. export regulations. This information has been exported from the United States in accordance with export administration regulations. Diversion contrary to U.S. law is prohibited.

ECCN: 9E991

CESSNA AIRCRAFT COMPANY
MODEL 172 (SERIES 1996 AND ON)
 ILLUSTRATED PARTS CATALOG

INTRODUCTION

1. Purpose

- A. This Illustrated Parts Catalog (IPC) includes the illustration and identification of replacement parts and assemblies necessary for maintenance of the specified aircraft model. The Catalog gives the information available at the time of publication.

Refer to the Maintenance Manual, not to this Illustrated Parts Catalog, for removal and installation procedures. The airplane operator must use the applicable rules to establish the status or airworthiness of the airplane.
- B. This IPC is prepared in accordance with the Air Transport Association 2200 Specification Format.
- C. Chapter 11 contains procurable placards. Country designated placards are specified by foreign certification authorities and put into groups identified by an International Civil Aviation Organization (ICAO) identifier in the page footer.
- D. Placards identified by the Code of Federal Regulations (CFRs) include: cockpit information, including instrument markings and any related limitations, aircraft operating limitations, power plant and auxiliary power unit instruments, flight control markings, fuel, oil, door and emergency exit information, limitations on storage compartments, loading, passenger cabin safety, and safety equipment operation.
- E. The information in this publication is based on data available at the time of publication and is updated, supplemented, and automatically amended by service letters, service bulletins, publication revisions, reissues, ICA supplements, and temporary revisions which are issued through subscription services available from Customer Service. All such amendments become part of and are specifically incorporated within this publication. The latest changes to this publication are given through Customer Service subscription services and/or Citation Service Center and Citation Service Stations.
- F. This Catalog does not include inspection, maintenance, and parts requirements for Supplemental Type Certificate (STC) installations. When an STC installation is incorporated on the airplane, an inspection is necessary in accordance with the inspection program published by the owner of the STC for the parts of the airplane for which the installation has an effect. Since STC installations can change 1) the system's interface, 2) operation qualities, and 3) component loads or stresses on adjacent structures, it is possible that Cessna's inspection specifications will not apply to airplanes with STC installations.

2. How to Get Customer Assistance

- A. Customer Service

CESSNA CUSTOMER SERVICE	
Mailing Address	One Citation Lane Wichita, KS 67209

(1) If you need assistance with a general support question, publication information, or subscriptions, visit our website at **CessnaSupport.com** or contact:

CESSNA CUSTOMER SERVICE	
Phone Numbers	316-517-5800 1-800-4Cessna option 2 (1-800-423-7762)
Fax	316-517-5802
Email Address	<u>customer@txtav.com</u>

CESSNA AIRCRAFT COMPANY
MODEL 172 (SERIES 1996 AND ON)
ILLUSTRATED PARTS CATALOG

3. Effectivity

- A. Numbers in the effectivity column show the serialization limits for the part. For example, the numbers 0001 in the "Effect From" column and the number 0023 in the "Effect To" column show that the part is used on airplanes 1 through 23. If the right column adjacent to the figure title is blank, the figure is applicable for all serials. If the right column adjacent to the indented installations, assemblies, or part numbers is blank, the part is applicable for all serials.

NOTE: Information in this Illustrated Parts Catalog is applicable to U.S. and Foreign Certified airplanes. Parts for foreign certified airplanes are identified by applicable serialization and by special note.

4. Electronic Media

- A. Publications for this aircraft model are available in paper and as electronic media. The paper publications are available as individual publications such as the Maintenance Manual, Parts Catalog, etc. The electronic media service publications are available in a DVD, download, Online and mobile application library that contain multiple books together.

5. Part Number Index (Paper)

- A. Part Numbers in the Numerical Index are shown in sequence, in accordance with (first) the extreme left digit, then (second) the next digit to the right. This sequence continues throughout the numbers, from left to right. The digits are shown in the sequence of: space, decimal, slash(/), symbol (such as #), numbers in numerical order, then alphabetical letters.
- B. The Part Number Index is a complete listing of all parts included in the Detailed Parts Lists.

6. Nomenclature

- A. The indentation system used in the detailed Parts List of this Catalog shows how the parts are related. For a given item, the indentation code shows a system, installation, or general heading that starts in the extreme left position and continues down into columns in sequence, until the end detail is completed. Refer to Figure 1.
- B. The degree of indention of each item shows how the items are related. For example, the Battery Installation is in the first indention of the nomenclature column. The Battery Assembly Manifold is the subsequent lower assembly and is shown in the second indention of the nomenclature column. Refer to Paragraph A, General System of Assembly Order.
- C. If two or more assemblies contain a majority of identical parts or if the assemblies are left and right counterparts, the assemblies are in sequence. The subsequent indented assemblies or detail parts apply to both higher-level assemblies, with the different parts coded to show that they are used on the specified, applicable assembly.
- D. Attaching parts are shown immediately after the item to be attached and before any detail parts for the item. Attaching parts are shown with the same indention as the item they attach and include the caption "Attaching Parts". The end of the attaching parts list is followed by the symbol" ---*---.

CESSNA AIRCRAFT COMPANY
MODEL 172 (SERIES 1996 AND ON)
ILLUSTRATED PARTS CATALOG

B1515

1	2	3	4	5	6	7
Installation						
.	Detailed Parts for Installation					
.	Assembly					
.	Attaching Parts for Assembly					
.	.	Detailed Parts for Assembly				
.	.	Sub-Assembly				
.	.	Attaching Parts for Sub-Assembly				
.	.	.	Detailed Parts for Sub-Assembly			
.	.	.	Sub-Assembly			
.	.	.	Attaching Parts for Sub-Assembly			
.	.	.	.	Detailed Parts for Sub-Sub-Assembly		

Order of Assembly
Figure 1

- E. The indenture of a component part shows if it is a part of an assembly or if it is independent of the assembly. Components independent of an assembly have the same indenture as the assembly. Components of an assembly are identified by an additional indenture and follow any attaching parts for the assembly.

7. List of Effective Pages (Paper Versions)

- A. A List of Effective Pages in the front of each chapter of the Illustrated Parts Catalog shows all pages within the chapter in sequence, with the current revision date for each page. A revised List of Effective Pages is included for each Illustrated Parts Catalog revision.

8. Revision Filing Instructions (Paper Version)

- A. Regular Revision
- (1) Refer to the List of Effective Pages of each chapter when you add a revision.
 - (2) Pages changed by the revision will be indicated by the revision date on the page and on the List of Effective Pages for that chapter. The revised page replaces the existing page in the catalog.
 - (3) Existing pages no longer needed in the catalog are indicated by "Deleted" on the List of Effective Pages. These pages are to be removed and discarded. When a page has been deleted by a revision, the List of Effective Pages for subsequent revisions do not list the page.
- B. Temporary Revisions
- (1) Put pages of a Temporary Revision in the applicable chapter in accordance with the filing instructions on the first page of the Temporary Revision.
 - (2) Temporary Revisions should be removed from the catalog only when replaced by a revision to the catalog or by instructions noted on the superseding Temporary Revision.

9. Revision Indicators

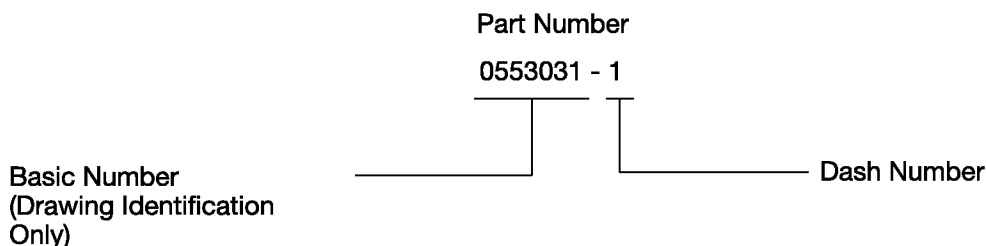
- A. Additions, deletions, or revisions to the Parts List are identified by the letter "R" in the right margin of the page adjacent to the change or addition. When technical changes cause unchanged text to show on a different page, an "R" is shown in the margin opposite of the affected items.

10. Cessna Part Numbering System

- A. The basic number identifies the Cessna drawing only. Each installation, assembly or detailed part is assigned a part number and includes a seven-digit drawing number and the applicable dash number. Refer to Figure 2.

CESSNA AIRCRAFT COMPANY
MODEL 172 (SERIES 1996 AND ON)
 ILLUSTRATED PARTS CATALOG

B1516



Part Number System
 Figure 2

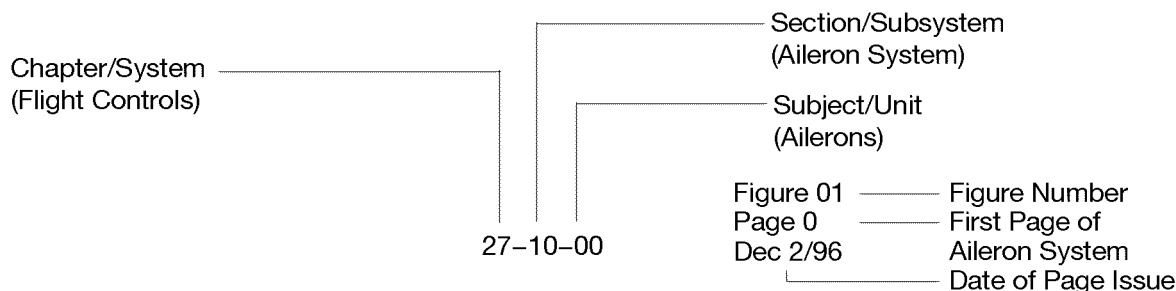
11. Standard Parts

- A. Many parts having standard usage have been incorporated into the Cessna Standard System. Parts in this group are designated with the part number prefix "S", "CM", or "C".
- B. Parts for standard hardware items such as screws, nuts, clamps, etc., are designated with the standard part number prefix "AN", "NAS", or "MS".

12. Page Numbering System

- A. The Page Numbering System in the Illustrated Parts Catalog has three-element numbers with dashes between the numbers, with the figure number, page number and date printed to the side. Refer to Figure 3.

B1518



Page Numbering System
 Figure 3

13. Part Number Column

- A. This column contains the manufacturer's part number used to identify the item.

14. Units Per Assembly Column

- A. The quantity listed in the Units Per Assembly column is the quantity used per item. The quantity shown for attaching parts is the quantity necessary to attach only one item. To find the total quantity necessary to attach more than one item, multiply the quantity of attaching parts by the number of items to be attached.

15. Symbols and Part Number Terms

- A. When the term, "REFER TO", is in the Nomenclature column and the Units Per Assembly column shows "RF", the figure referred to will be the next highest assembly of the referred item.

CESSNA AIRCRAFT COMPANY
MODEL 172 (SERIES 1996 AND ON)
ILLUSTRATED PARTS CATALOG

- B. When the term, "DELETED-NOT USED", appears in the Nomenclature column, it signifies that the index number was used but is no longer required. This procedure is used to eliminate re-indexing of all items following the deleted part.
- C. When the letters BKI (Bulk Item) are in the Nomenclature column and the Units Per Assembly column indicates "AR" (As Required), refer to Cessna Service Parts Center for prices and units of measure.

16. Abbreviations Commonly Used

ALT	Alternate	IPC	Illustrated Parts Catalog
AR	As Required	NP	Non-Procurement
ASSY	Assembly	RF	Reference
BKI	Bulk Item	SB	Service Bulletin
FSO	For Spares Order	TR	Temporary Revision

17. Bulk Items

- A. Items such as flexible air hose, rubber moldings and channels, and windshield sealing strips are shown in the Parts List as bulk items (BKI).
- B. A bulk item is supplied in the bulk or cut length or quantity for an installation.

18. Serial and Color

- A. When you make an order for upholstered material, carpet, or interior trim, make sure that you include the airplane model and serial number. This information makes sure that you receive the correct color combination.

19. Modification Kits

- A. A record of modification kits and service bulletins is in the Modification Kit List section in the front section of the catalog.
- B. The Modification Kit List shows the kit number and title, issue date for the kit, service bulletin or applicable document number, and catalog incorporation date.

20. Definition of Text Page Information

- A. Refer to Figure 4.
 - (1) The Figure number is the illustration for the highest-level assembly specified in the applicable Parts List.
 - (2) The number in the indented Item column is the index number shown to call out that item or that part in the applicable illustration.
 - (3) When the item number for a part has a dash before the number, it is not specified on the illustration.
 - (4) A number in the Units Per Assembly (Units Per Assy) column is the quantity of the part used in the next-higher-level of the assembly or installation.
 - (5) A number in the Effectivity (Effect From To) column shows that the manufacturer uses the part only on specified airplanes, that is, for airplanes within a serial number range given in the Effectivity column.
 - (6) The AR in the Units Per Assembly (Units Per Assy) column is for those parts with the quantity "As Required."
 - (7) When an alternative part number applies to a part, it is shown immediately after the part which it can replace. The entry ALT FOR in the Nomenclature column refers to the alternative part number.
 - (8) A USED ON or USED WITH note in the Nomenclature column includes the next higher assembly of a part when the part does not apply to all of the next higher assemblies that are given immediately before the part.

CESSNA AIRCRAFT COMPANY
MODEL 172 (SERIES 1996 AND ON)
ILLUSTRATED PARTS CATALOG

- (9) Parts that are used only on a left or right installation or assembly include LH or RH in the Nomenclature column.
- (10) When an installation or assembly has RF in the Units per Assembly (Units per Assy) column, that installation or assembly also is in the Parts List for the cross-reference figure specified in the Nomenclature column. The numerical Units-Per-Assy data is given only in the cross-reference figure.
- (11) When the Parts List page shows the letter R in the right margin, the R refers to the addition or revision of text for that line in the Parts List of the applicable IPC revision.
- (12) A Supplier's part number is identified in the Part Number column and the federally supplied vendor code follows the nomenclature in the Nomenclature column.

CESSNA AIRCRAFT COMPANY MODEL 172 (SERIES 1996 AND ON) ILLUSTRATED PARTS CATALOG

B409

CESSNA AIRCRAFT COMPANY MODEL XXX ILLUSTRATED PARTS CATALOG

FIG ITEM	PART NUMBER	NOMENCLATURE	UNITS PER ASSY		
			1	2	3
1	09A	OVERHEAD CONSOLE INSTALLATION			
- 1	4811329-1	PANEL ASSY-OVERHEAD CONSOLE REFER TO NOTE 1	0617	& ON	RF
2	4811329-5	PANEL ASSY-OVERHEAD CONSOLE FSO 4811329-6 REFER TO NOTE 1	0617	0626	01
3	4811329-6	PANEL ASSY-OVRHD CONSOLE REFER TO NOTE 1	0627	0649	NP
4	4811550-1	PANEL ASSY-OVRHD CONSOLE LH REFER TO NOTE 1	0650	0681	01
5	4811550-13	PANEL ASSY-OVRHD CONSOLE LH REFER TO NOTE 1	0682	0703	01
6	4811805-1	PANEL ASSY-OVRHD CONSOLE LH REFER TO NOTE 1	0704	0723	01
- 7	4811805-3	PANEL ASSY-OVRHD CONSOLE LH REFER TO NOTE 1 USED WITH REFRESHMENT CENTER	0724	& ON	01
8	4811550-2	PANEL ASSY-OVRHD CONSOLE RH REFER TO NOTE 1 FSO 4811550-10	0682	0702	NP
9	4811550-10	PANEL ASSY-OVRHD CONSOLE RH REFER TO NOTE 1	0703	0723	NP
10	4811805-2	PANEL ASSY-OVRHD CONSOLE RH REFER TO NOTE 1	0724	& ON	01
		ATTACHING PARTS			
- 11	MS27039-0806	SCREW	0617	0681	18
- 12	S1477-08	NUT-CLIP	0617	0681	16
13	CL2C8	CABLE	V99862	0617	0681 06
14	CL-2-F	FERRULE	V99862	0617	0681 12
15	6519002-106	HOOK	0617	0681	06
16	MS21086L08	NUTPLATE	0617	0681	06
- 17	F990048	FABRIC FASTENER-PILE BKI	0682	0723	02
- 18	F990118	HOOK BKI	0682	0723	02
19	6519311-4	RETAINER ASSY-NO SMOKING/FASTEN SEAT BELT SIGN	0617	0681	02
20	6519187-50	BRACKET ASSY	0617	0649	02
21	6519187-52	BRACKET ASSY	0650	0681	02
22	CM3657-3	SCREW	0617	0681	08
23	4811557-15	PLATE ASSEMBLY-LH	0682	0723	02
24	4811557-18	PLATE ASSEMBLY-RH	0682	0723	02
25	4811557-13	PLATE ASSEMBLY	0682	0723	08
26	4811557-16	PLATE	0682	0723	01
- 27	NAS1149FN816P	WASHER	0682	0723	28 R
- 28	NAS1149FN816P	WASHER USED WITH REFRESHMENT CENTER	0724	& ON	24
- 29	MS21042-08	NUT	0682	0723	28
- 30	MS21042-08	NUT USED WITH REFRESHMENT CENTER	0724	& ON	24
31	6519187-29	FASTENER-FABRIC	0617	0681	02
32	4811164-27	GRILL ASSY-SPEAKER	0617	0621	04
33	4811164-37	GRILL ASSY-SPEAKER	0622	0630	04
34	4811331-15	GRILL ASSY-SPEAKER	0631	& ON	04
- 35	F990034	FABRIC FASTENER-HOOK BKI			AR
36	4811329-7	GRILL-AIR REGISTER	0650	0681	01
- 37	4811329-3	COVER-SPEAKER GRILL	0617	0681	04
38		LIGHT ASSY REFER TO 33-20-00 FIGURE 01			RF R
39	4811164-23	LENS-FWD	0617	0626	02
40	4811164-39	LENS-FWD	0627	0681	02
- 41	4811331-7	LENS-AFT	0617	0626	02
- 42	4811331-12	LENS-AFT	0627	0681	02
43	215-120106-03	FASTENER	V02768		10
44	80-001516	FASTENER ALT FOR 215-120106-03	V02768		10
45		OXYGEN BOX AND LINES REFER TO 35-20-00 FIGURE 02			RF R
46	5515128-61	BRACKET ASSY	0617	0681	05
- 47	MS21069L08	NUTPLATE	0617	0681	06
48	6519002-187	BRACKET ASSY	0617	0681	01
- 49	MS21069L06K	NUTPLATE	0617	0681	03
50	6219286-1	DOUBLER ASSY	0617	0681	01
51	MS21075L3E	NUTPLATE	0617	0681	04
52	6519219-1	CHIME BEZEL ASSY	0617	0646	01
53	6519219-3	CHIME BEZEL ASSY	0647	0681	01
- 54	4811557-1	CHIME GRILL	0682	& ON	01
55	F990034	FABRIC FASTENER-HOOK BKI	0617	0681	AR
56		CHIME ASSY REFER TO 23-30-01 FIGURE 02			RF R
57		SIGN ASSY-NO SMOKING AND FASTEN SEAT BELT REFER TO 33-20-00 FIGURE 01			RF R

NOTE 1—WHEN ORDERING THIS PART, ALSO PROVIDE AIRPLANE MODEL AND SERIAL NUMBER.

- ITEM NOT ILLUSTRATED

Figure 09A
Page 1
25-20-01 Aug 1/2007

0542T1018

Sample Page
Figure 4

INTRODUCTION Page 7
Jul 1/2015

CESSNA AIRCRAFT COMPANY
MODEL 172 (SERIES 1996 AND ON)
ILLUSTRATED PARTS CATALOG

21. How to Use the Catalog if the Part Number is Known (Paper Version)

- A. Refer to Figure 5.
- (1) Find the part number in the Part Number Index.
 - (2) Refer to the chapter, section, subject, figure, and item number.
 - (3) Go to the chapter, section, subject, and figure.
 - (4) Find the part on the illustration and in the part number column by item number..

CESSNA AIRCRAFT COMPANY MODEL 172 (SERIES 1996 AND ON) ILLUSTRATED PARTS CATALOG

B410

CESSNA AIRCRAFT COMPANY
MODEL XXX
ILLUSTRATED PARTS CATALOG

0022

PART NUMBER	CH-SEC-SUBJ-FIG-ITEMREG	TTL FICHE/ FRAME	PART NUMBER	CH-SEC-SUBJ-FIG-ITEMREG	TTL FICHE/ FRAME
0742810-8	32-21-00-01-031	02	1221201-4	33-40-00-02-002	01
0743005-1	32-20-01-01-007	02	1222850-1	28-10-00-01-015	01
0743009-1	32-21-00-01-003	02	122350-2	28-10-00-01-017	01
0743011-8	32-20-01-01-027	01	122355-1	28-21-00-01-005	01
0743812-1	32-20-01-01-008	01	1221687-1	33-42-00-01-012	01
0743821-5	32-20-01-01-013	01	1222040-3	35-10-00-01-052	02
0743827-5	32-20-00-01-024	01	1241156-12	32-21-00-01-001	01
0743877-6	32-20-00-01-026	01	1249251-1	32-20-01-01-017	01
075-09700	32-30-00-01-033	01	1243030-5	32-20-01-01-057	A6
0752201-1	24-20-00-01-001	01	1243030-6	32-20-01-01-058	AR
0759001-1	25-30-00-01-012	01	1243030-7	32-20-01-01-059	A6
0759013-7	28-21-00-01-001	01	1243676-1	32-20-01-01-021	01
0759014-2	27-10-00-01-008	01	1250297-1	32-40-00-01-006	01
0759011-2	57-80-00-01-014	01	1253041-1	21-46-00-01-007	01
0759814-1	27-50-00-01-044	01	1260049-1	27-30-01-02-008	01
0759819-1	27-50-00-01-027	01	1260074-1	27-50-01-02-001	01
0759820-11	27-50-00-01-042	01	1270101-1	22-10-00-01-006	01
0759822-1	27-50-01-01-056	02	1270429-2	33-10-00-02-004	01
0762054-4	27-50-00-01-002	01	1270842-2	27-10-00-02-018	02
0762054-5	27-50-00-01-001	01	1470219-1	21-20-00-01-001	01
0770741-1	24-34-00-01-005	01	1512200-24	22-50-00-02-041	01
079-00200	32-30-00-01-030	01	1612282-3	27-50-00-02-036	01
081-00100	32-30-00-01-032	01	1520068-1	32-40-00-02-027	01
0811495-75	32-31-00-01-094	01	153-00300	32-50-00-01-011	01
0813100-75	32-31-00-01-084	01	153-00400	32-50-00-01-004	02
0813105-4	32-31-00-01-085	01	153-00800	32-50-00-01-006	01
0841200-15	32-20-01-01-019	01	154-00350	32-50-00-01-008	04
0841200-13	32-20-01-01-018	01	154-00600	32-50-00-01-004	02
0841200-25	32-20-01-01-016	01	154-01300	32-50-00-01-007	01
0842400-5	32-20-02-01-013	01	155-00100	32-50-00-01-005	02
081-04400	32-20-00-01-017	01	155-00200	32-51-00-01-002	02
092-01700	32-30-00-01-022	01	1552004-17	71-10-00-01-006	01
1C235/FA7570	61-10-00-01-001	01	1552004-22	71-10-00-01-007	01
1H6-25	37-10-00-01-076	01	1552004-24	71-10-00-01-058	01

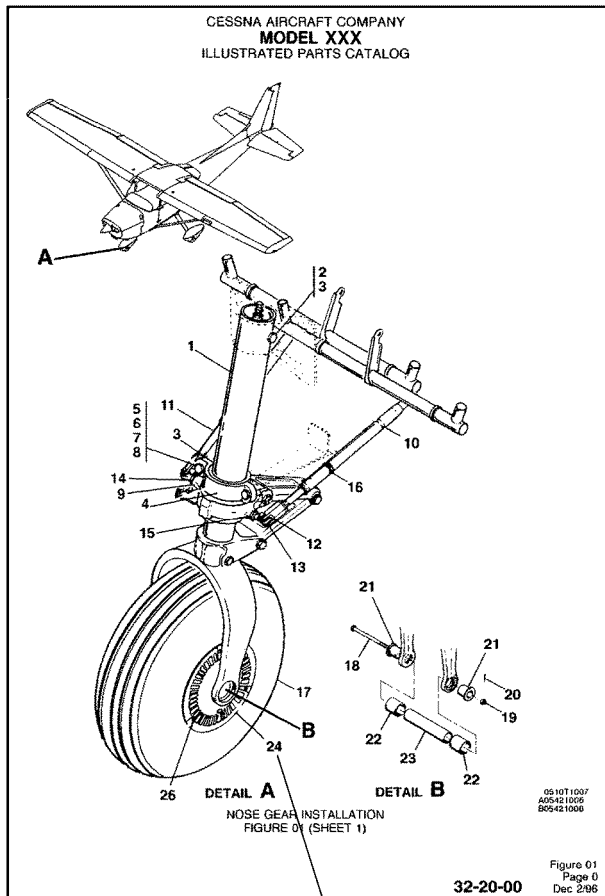
ALPHA NUMERIC INDEX Numeric-Page 10
Dec. 2/96

CESSNA AIRCRAFT COMPANY
MODEL XXX
ILLUSTRATED PARTS CATALOG

0117

FIGURE ITEM	PART NUMBER	1 2 3 4 5 6 7	NOMENCLATURE	UNITS EFFECT FROM TO	PER ASSY
01			NOSE GEAR INSTALLATION		RF
			SHOCK STRUT ASSY-NOSE GEAR REFER TO 32-20-01		RF
			FIGURE 01		
			ATTACHING PARTS		
2	ANS-31A		BOLT		01
3	MS21042LS		NUT		03
4	DE43019		CAP		01
5	ANS-10A		BOLT		02
6	MS1149FS63P		WASHER		02
7	0543042-1		SHIM .032 THICK		AR
8	0543042-2		SHIM .018 THICK		AR
9			DAMPENER ASSY-SHIMMY REFER TO 32-20-02		01
			FIGURE 01		
10	0543022-1		TUBE ASSY-STEERING LH		01
11	0543022-2		TUBE ASSY-STEERING RH		01
			ATTACHING PARTS		
12	ANS-C3A		BOLT		01
13	MS21045L3		NUT		01
			BEARING-ROD END		02
14	S1823-3		NUT		02
15	ANS18-6R		CLAMP		02
16	NAS397-16		WHEEL ASSY-NOSE GEAR REFER TO 32-31-00		01
			FIGURE 01		
			ATTACHING PARTS		
18	ANS-47		BOLT		01
19	ANS10-5		NUT		01
20	MS2495-134		COTTER PIN		01
21	0543001-0		FERRULE-AXLE BOLT		02
22	0542537-1		SPACER-AXLE NOSE WHEEL		02
23	0543003-0		TUBE-AXLE		01
			HUB CAP-NOSE GEAR VALVE STEM SIDS		01
24	0743627-5		HUB CAP-NOSE GEAR		01
25	0743627-6		ATTACHING PARTS		
26	MS36206-24		SCREW		03
27	ANS36A8		WASHER		03
			EXTENSION VALVE (V17875)		01
28	6241M		EXTENSION VALVE ALT FOR 6241M		01
29	3650C		EXTENSION VALVE ALT FOR 6241M		01
			ITEM NOT ILLUSTRATED		

Figure 01
Page 1
Dec. 2/96



Known Part Number Example
Figure 5

CESSNA AIRCRAFT COMPANY
MODEL 172 (SERIES 1996 AND ON)
ILLUSTRATED PARTS CATALOG

22. How To Use Catalog If Part Number Is Unknown (Paper Version)

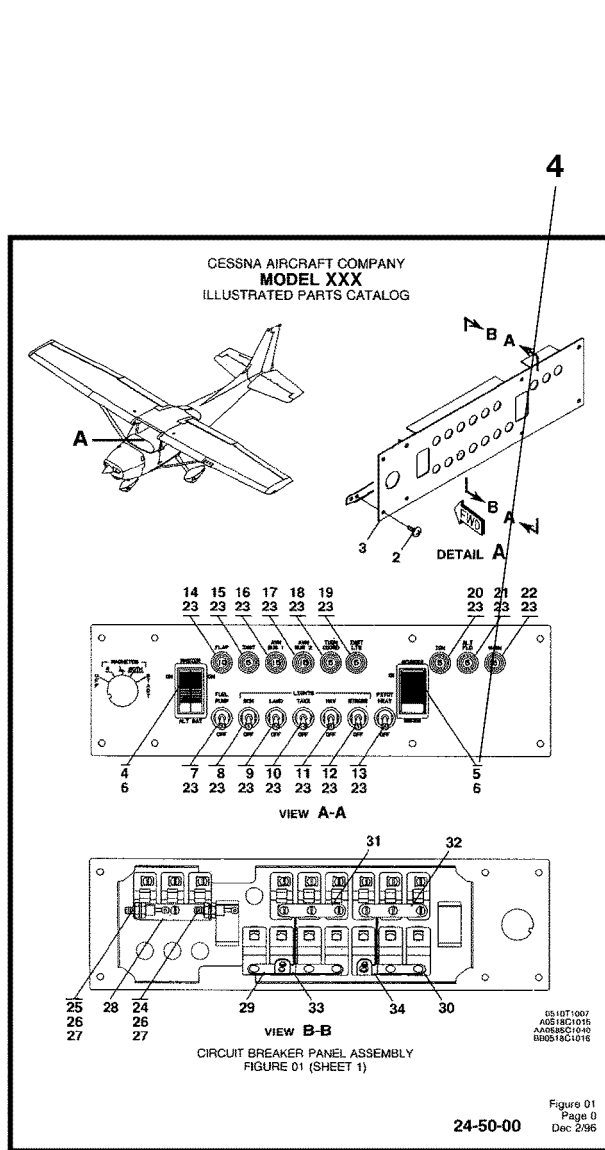
- A. Refer to Figure 6.
- (1) Refer to the Alphabetical Index.
 - (2) Refer to the main group in which the part is listed..
 - (3) Go to the chapter, section, subject and figure number in which the part should be shown..
 - (4) Go to the illustration and find the part.
 - (5) Refer to the corresponding item number in the part number column.

CESSNA AIRCRAFT COMPANY MODEL 172 (SERIES 1996 AND ON) ILLUSTRATED PARTS CATALOG

B411

CESSNA AIRCRAFT COMPANY MODEL XXX ILLUSTRATED PARTS CATALOG					
NOMENCLATURE					FICHE/ FRAME
S					
SEAT INSTALLATION-PILOT & COPILOT	25-10-00	-01	-000		
SERVICE DOORS	92-48-00	-01	-020		
SHIMMY DAMPER INSTALLATION	92-23-02	-01	-000		
SKINS AND STRINGERS INSTALLATION-WING	97-11-00	-01	-000		
SOUNDPROOFING INSTALLATION-FUSELAGE	29-80-00	-01	-000		
SPAR ASSEMBLIES-WING	97-10-01	-01	-000		
STABILIZER INSTALLATION	95-10-00	-01	-000		
STALL WARNING HOON INSTALLATION	97-01-00	-01	-000		
STARTER INSTALLATION	80-10-00	-01	-000		
STAYERS PWA40	86-10-00	-01	-001		
STATIC DISCHARGER INSTALLATION	93-60-00	-01	-000		
STEP AND HANDLE INSTALLATION-REFUELING	93-10-02	-01	-000		
STRUT ASSEMBLY-WING	97-10-03	-01	-000		
SUNVISOR INSTALLATION	23-11-00	-01	-000		
SWITCH-AVICNCS MASTER SIG0	24-50-00	-01	-000		
SWITCH-MASTER ALT BAT SIG09	24-50-00	-01	-004		

Page 4
Dec 2/96



CESSNA AIRCRAFT COMPANY MODEL XXX ILLUSTRATED PARTS CATALOG											
FIGURE ITEM	PART NUMBER	1	2	3	4	5	6	7	NOMENCLATURE	EFFECT FROM TO	UNITS PER ASSY
01									CIRCUIT BREAKER PANEL ASSEMBLY		RF
									PANEL ASSY-CIRCUIT BREAKER		RF
									ATTACHING PARTS		
	2	CM3558	10-88						SCREW		08
									PANEL ASSY		01
		08	18011-1						SWITCH-MASTER ALT BAT SIG09		01
			S3272-1-1						SWITCH-AVICNCS MASTER SIG01		01
			S3271-1-1						BEZEL-SWITCH		02
			S18449-5						CIRCUIT BREAKER-FUEL PUMP HI012		01
			CM3589-5						CIRCUIT BREAKER-BCN LIGHT HI004		01
			CM3589-10						CIRCUIT BREAKER-LAND LIGHT HI001		01
			CM3589-10						CIRCUIT BREAKER-TAXI LIGHT HI013		01
			CM3589-9						CIRCUIT BREAKER-NAV LIGHT HI002		01
			CM3589-9						CIRCUIT BREAKER-STRG LIGHT HI006		01
			CM3589-9						CIRCUIT BREAKER-PITOT HEAT HI008		01
			S1360-10L						CIRCUIT BREAKER-PLAP HI007		01
			S1360-5L						CIRCUIT BREAKER-INST HI005		01
			S1360-15L						CIRCUIT BREAKER-AVN BUS HI023		01
			S1360-15L						CIRCUIT BREAKER-AVN BUS 2 HI024		01
			S1360-5L						CIRCUIT BREAKER-TURN COORD HI008		01
			S1360-5L						CIRCUIT BREAKER-INST LTS HI003		01
			S1360-5L						CIRCUIT BREAKER-IGN HI030		01
			S1360-5L						CIRCUIT BREAKER-ALT FLD HI010		01
			S1360-5L						CIRCUIT BREAKER-WARN HI022		01
			S2122-1						NUT-KW/RED		16
			WB331						DIODE DI001	(V07888)	01
			WB331						DIODE DI002	(V07888)	01
			M335333-39						LOCK WASHER		01
			M335650-30ST						NUT		01
									ATTACHING PARTS		
									BUS BAR-DIODE MOUNT HI021		01
									BUS BAR HI014		01
									BUS BAR HI016		01
									BUS BAR HI014		01
									BUS BAR HI016		01
									BUS BAR-JUMPER HI014		01
									BUS BAR-JUMPER HI016		01

Figure 01
Page 1
Dec 2/96

Unknown Part Number Example
Figure 6

CESSNA AIRCRAFT COMPANY
MODEL 172 (SERIES 1996 AND ON)
 ILLUSTRATED PARTS CATALOG

ICA SUPPLEMENT LIST

ICA Supplement Number	Revision	Title	ICA Supplement Date	Manual Incorporation Date
ICA-172-23-00001	B	GDL-90 TRAFFIC DATALINK SYSTEM ICA SUPPLEMENT	Jun 30/2008	Jan 01/2012
ICA-172-27-00001	D	ELEVATOR TRIM STOP BLOCK STANDARDIZATION - ICA SUPPLEMENT	Dec 03/2008	Jul 01/2010
ICA-172-28-00001	A	SINGLE ENGINE RESTART FUEL QUANTITY INDICATION SYSTEM ICA SUPPLEMENT	Jan 30/2009	Jan 01/2012
ICA-172-33-00001	A	WHELEN MODEL 71368 LANDING, TAXI, & RECOGNITION LIGHT SYSTEM ICA SUPPLEMENT	Jul 13/2010	Jan 01/2012
ICA-172-34-00001	-	G1000 SYNTHETIC VISION TECHNOLOGY OPTION ICA SUPPLEMENT	Mar 06/2009	Jul 01/2010
ICA-172-34-00002	-	GARMIN GTS 800 ICA SUPPLEMENT	Feb 20/2012	July 01/2015
ICA-206-34-00003	A	MAX-VIZ EVS-600 ENHANCED VISION SYSTEM ICA SUPPLEMENT	Jan 11/2011	No Effect

CESSNA AIRCRAFT COMPANY
MODEL 172 (SERIES 1996 AND ON)
 ILLUSTRATED PARTS CATALOG

SERVICE BULLETIN LIST

Modification Kit Number	Title	Service Bulletin Number	Modification Kit/Service Bulletin Date	Manual Incorporation
MK172-23-01	Static Wick Replacement	SNL00-4	Jan 31/2000	Jun 1/2000
MK172-24-01	Electrical Power System	SB99-24-01	Mar 15/1999	Jan 15/2000
MK172-24-02A	Circuit Panel Cover Installation	SB99-24-02	Feb 21/2000	Jun 1/2000
MK172-24-03	Heavy Duty Battery (24V Option)	SNL99-24-02	Sep 13/1999	Mar 31/2000
MK172-25-01	Manually Adjusted Restraint Optional Crew		Jul 3/2000	Aug 18/2001
MK172-25-02	Push Button Release Seat Belts - Optional Crew	SNL00-9	Jul 3/2000	Jan 15/2001
MK172-25-03	Push Button Release Seat Belts - Bench Seat	SNL00-9	Jul 3/2000	Jan 15/2001
MK172-25-04	Manually Adjusted Restraint Optional Bench		Jul 3/2000	Aug 18/2001
MK172-25-09	Inflatable Seat Restraints Installation	SB05-25-02	Apr 25/2005	Jan 2/2006
MK172-27-01A	Control Yoke Attach Bushing Installation	SB98-27-07	May 5/1999	Jan 6/1999
MK172-27-02	Aileron Control Cable Fairlead Modification	SB11-27-05	Aug 31/2011	Jan 1/2012
MK172-28-01	Engine Fuel Return System Installation	SB04-28-03	Aug 30/2004	Dec 6/2004
MK172-32-01	Nose Landing Gear Wheel Fairing Modification	SB03-32-01	Sep 29/2003	Jan 1/2012
MK172-33-01	High Intensity Discharge (HID) Landing and Taxi Light Installation	SB05-33-01	May 9/2005	Jan 2/2006
MK172-34-01	Pitot Tube Heater Assembly Spiral Wrap			Jun 1/2000
MK172-37-01	Vacuum System Hose Modification	SB99-37-01	Dec 27/1999	Jun 1/2000
MK172-52-01	Security Lock Installation	SB04-52-01	Jun 28/2004	Dec 6/2004
MK172-53-01	Fuselage Station 205, 812 Bulkhead Modification	SB97-53-01	Jul 1/1997	Apr 6/1998
MK172-53-02	Firewall Gusset and Angle Installation	SB98-53-02R2	Dec 26/2000	Feb 15/2002
MK172-55-01	Horizontal Stabilizer Abrasion Boot (1232040-5)	SB99-55-01	Mar 12/1999	Jan 15/2000
MK172-55-01A	Horizontal Stabilizer Abrasion Boot Installation		Jul 20/2010	Jul 1/2012
MK172-57-01	Flap Track Mod Inspection		Jul 31/2000	Jun 1/2000
MK172-57-02	Heavy Duty Flap Installation		Jan 19/1999	Jun 1/2000
MK172-61-01	Propeller Spinner Aft Bulkhead Replacement		Nov 14/2001	Feb 15/2002

CESSNA AIRCRAFT COMPANY
MODEL 172 (SERIES 1996 AND ON)
 ILLUSTRATED PARTS CATALOG

Modification Kit Number	Title	Service Bulletin Number	Modification Kit/Service Bulletin Date	Manual Incorporation
MK172-71-01A	Alternate Air Door Assembly Hinge Replacement	SB97-71-01R1	Jul 27/1998	Nov 1/1997
MK172-71-02A	Forward Engine Baffle and Heat Shroud Modification	SB97-71- 01R1	Sep 9/1998	May 16/1997
MK172-72-01	180 HP Conversion Kit		May 31/2000	Jan 15/2000
MK172-76-02	Cablecraft Friction Cone Installation	SNL99-12	Nov 15/1999	Mar 31/2000
MK172-80-01	Sky-Tec Starter Installation	SB07-80-01	Apr 2/2007	Jul 1/2007
MK206-34-03	Garmin G1000 GDL-69A Weather and Digital Audio Entertainment Interface Installation	SB05-34-09	Sep 26/2005	Jul 3/2006
	Engine Driven Fuel Pump Inspection	SB01-73-01	May 28/2001	No Effect
	Engine Driven Fuel Pump Inspection	SB01-73-01R1	Oct 10/2005	No Effect
	Engine Driven Fuel Pump Inspection	SB01-73-01R2	Oct 17/2005	No Effect
	Flap Control Bracket Attach Bolts Replacement	SB03-27-02	Dec 22/2003	No Effect
	Alternator Control Unit Inspection/Replacement	SB04-24-01	Mar 1/2004	No Effect
	Crew Seat Back Cylinder Lock Inspection and Crank Arm Modification	SB04-25-02	Jun 14/2004	Jan 2/2006
	Crew Seat Back Cylinder Lock Control Inspection/Adjustment	SB04-25-04	Oct 11/2004	No Effect
	Elevator Trim Tab Control Cable Inspection	SB04-27-02	Apr 12/2004	No Effect
	Elevator Trim Tab Control Cable Inspection	SB04-27-02R1	Oct 11/2004	No Effect
	Fuel Hose Inspection	SB04-28-01	Mar 15/2004	No Effect
	Fuel Hose Inspection	SB04-28-01R1	Apr 5/2004	No Effect
	Nose Landing Gear Shock Strut Metering Pin Replacement	SB04-32-01	Feb 2/2004	Jan 2/2006
	Horizontal Stabilizer Attach Bolt Holes Inspection	SB04-55-01	Apr 12/2004	No Effect
	Horizontal Stabilizer Attach Bolt Holes Inspection	SB04-55-01R1	Jun 20/2005	No Effect
	Pilot's Operating Handbook Revisions	SB05-11-02	Jul 29/2005	No Effect
	Pilot's Operating Handbook Temporary Revision 2	SB05-11-03	Aug 29/2005	No Effect
	Trim Servo Cable Chain Inspection	SB05-22-01	Dec 5/2005	No Effect

CESSNA AIRCRAFT COMPANY
MODEL 172 (SERIES 1996 AND ON)
 ILLUSTRATED PARTS CATALOG

Modification Kit Number	Title	Service Bulletin Number	Modification Kit/Service Bulletin Date	Manual Incorporation
	MC01-3A Main Electrical Power Junction Box Circuit Breakers Inspection	SB05-24-01	Jan 31/2005	Jan 2/2006
	Fuel Strainer Gasket Inspection	SB05-28-01	Jan 17/2005	Jan 2/2006
	Garmin G1000 Obstacle and Terrain Avoidance System Database Update	SB05-34-07	Sep 26/2005	No Effect
	Garmin G1000 System Software Upgrade	SB05-34-08	Sep 26/2005	No Effect
	Floorboard Bulkhead Rivet Inspection	SB05-53-03	Dec 19/2006	No Effect
	Wing Trailing Edge Rib Inspection	SB05-57-01	Oct 10/2005	Jan 2/2006
	Engine Driven Fuel Pump Inspection	SB05-73-01	Mar 7/2005	No Effect
	Pilot's Operating Handbook Revisions	SB06-11-01	Mar 27/2006	No Effect
	Honeywell KT 73 Mode S Transponder Installation	SB06-34-01	Feb 27/2006	Jul 3/2006
	Cabin Door Modification	SB06-52-01	Mar 27/2006	No Effect
	Engine Compartment Fuel Hoses Security Inspection	SB06-71-02	Jun 19/2006	No Effect
	Electronic Pilot's Checklist Availability	SB07-11-01	Jun 25/2007	No Effect
	Pilot's Operating Handbook-Amsafe Aviation Inflatable Restraints (AAIR(R)) Supplement Revision	SB07-11-02	Oct 22/2007	No Effect
	Inflatable Seat Restraints Wiring Connector Strain Relief Installation	SB07-25-01	Jan 27/2007	No Effect
	Crew Seat Base Inspection and Modification	SB07-25-02	Feb 1/2007	No Effect
	Crew Seat Base Inspection and Modification R1	SB07-25-02	Feb 12/2007	No Effect
	Crew Seat Base Inspection and Modification R2	SB07-25-02	Apr 23/2007	No Effect
	Garmin G1000 Arrival and Departure Procedures Software Alert	SB07-25-03	Mar 12/2007	No Effect
	Seat Base/back Attach Fitting Modification	SB07-25-04	Apr 23/2007	No Effect
	Amsafe Inflatable Restraints Hose Plug Inspection	SB07-25-05	Nov 19/2007	No Effect
	Elevator Trim Tab Actuator Assembly Inspection	SB07-27-01	Mar 12/2007	No Effect
	Fuel Return Line Inspection	SB07-28-01	Jun 18/2007	No Effect

CESSNA AIRCRAFT COMPANY
MODEL 172 (SERIES 1996 AND ON)
 ILLUSTRATED PARTS CATALOG

Modification Kit Number	Title	Service Bulletin Number	Modification Kit/Service Bulletin Date	Manual Incorporation
	Garmin G1000 NAV III Avionics ChartView Option	SB07-34-01	Jan 22/2007	No Effect
	Garmin G1000 NAV III Avionics Chart View Option R1	SB07-34-01	Jul 23/2007	No Effect
	Garmin G1000 System Software Upgrade to Version 563.03	SB07-34-02	Jul 23/2007	No Effect
	Garmin G1000 System Software Upgrade to Version 563.03 R1	SB07-34-02	Aug 13/2007	No Effect
	Garmin G1000 NAV III Flite Charts and Safe Taxi Availability	SB07-34-04	Feb 12/2007	No Effect
	Garmin G1000 Search and Rescue Enablement	SB07-34-05	Nov 5/2007	No Effect
	Garmin G1000 GRS-77 Attitude and Heading Reference System (AHRS) Inspection/Replacement	SB07-34-06	Nov 19/2007	Jun 1/2008
	Garmin G1000 GPS/WAAS Installation	SB07-34-07	Dec 3/2007	Jun 1/2008
	Garmin G1000 GTX 33 Transponder Inspection/Replacement	SB07-34-08	Dec 17/2007	No Effect
	Gyro Filter Assembly Inspection	SB07-37-01	Feb 12/2007	No Effect
	Firewall Sealant Inspection	SB07-53-01	Feb 12/2007	No Effect
	Engine Compartment Fuel Hoses Security Inspection	SB07-71-01	Mar 2/2007	No Effect
	Engine Compartment Fuel Hoses Security Inspection	SB07-71-01	Mar 2/2007	No Effect
	Engine Compartment Fuel Hoses Security Inspection	SB07-71-01R1	Mar 16/2007	No Effect
	Cylinder Stud Hole Inspection	SB07-71-03	Aug 27/2008	No Effect
	Incorrect Cylinder Assemblies Shipped with Cylinder Kits	SB07-71-04	Nov 19/2007	No Effect
	Engine Oil Pressure Switch Replacement	SB07-79-01	Jan 29/2007	No Effect
	CO Detector Inspection	SB08-25-01	Mar 10/2008	No Effect
	Alternate Static Source Selector Valve Inspection	SB08-34-02	Mar 31/2008	No Effect
	Garmin G1000 GDC-74A Air Data Computer Inspection	SB08-34-04	Jul 28/2008	Jul 1/2012

CESSNA AIRCRAFT COMPANY
MODEL 172 (SERIES 1996 AND ON)
 ILLUSTRATED PARTS CATALOG

Modification Kit Number	Title	Service Bulletin Number	Modification Kit/Service Bulletin Date	Manual Incorporation
	Engine Cowling Alignment Inspection and Modification	SB08-53-01	Jan 28/2008	Jun 1/2008
	Engine Upper Cowling to Upper Nose Cap Inspection	SB08-53-02	Jan 28/2008	No Effect
	Aileron Pulley Bracket Attach Bolt Inspection	SB08-53-03	Jan 28/2008	No Effect
	Engine Fuel Injector Servo Hex Plug Inspection	SB08-73-01	Mar 10/2008	No Effect
	Unison Industries Slick 4200/4300/6200/6300 Magnetos Inspection	SB08-74-01R1	Apr 20/2009	No Effect
	Sky-Tec Starter Wire Inspection	SB08-80-01	Feb 11/2008	No Effect
	Garmin G1000 System Software Upgrade To 563.14 for Airplanes Equipped With NAV III and GFC 700 AFCS Autopilot	SB09-34-05	Jun 22/2009	No Effect
	Garmin G1000 System Software Upgrade To 563.14 for Airplanes Equipped With NAV III and Honeywell KAP-140 Autopilot	SB09-34-06	Jun 22/2009	No Effect
	Garmin G1000 Synthetic Vision Technology (SVT) Installation	SB09-34-07	Jun 22/2009	Jul 1/2012
	Horizontal Stabilizer Rear Spar Inspection	SB09-55-02	Aug 31/2009	No Effect
	Removal of the Autopilot Flight Control System (AFCS) placard	SB10-22-01	Mar 15/2010	Jan 1/2012
	AmSafe Aviation Inflatable Restraint Connector Cover Installation	SB10-25-01	Jan 11/2010	No Effect
	Flap Motor Housing Inspection	SB11-27-03	Jun 21/2011	No Effect
	Fuel Hose Inspection	SB11-28-02	May 24/2011	No Effect
	Elevator Control Yoke Roller Engagement Inspection/Modification	SB11-53-01	Feb 15/2011	Jul 1/2012
	Carburetor Throttle Body to Bowl Screw Inspection	SEB09-3	Apr 27/2009	No Effect
	Carburetor Float Replacement	SEB09-4	Apr 27/2009	No Effect
	Carburetor Float Replacement - Continental Engine Airplanes	SEB09-5	Apr 27/2009	Jul 1/2012

CESSNA AIRCRAFT COMPANY
MODEL 172 (SERIES 1996 AND ON)
 ILLUSTRATED PARTS CATALOG

Modification Kit Number	Title	Service Bulletin Number	Modification Kit/Service Bulletin Date	Manual Incorporation
	Equipment/Furnishings - Amsafe EMA Installation Modification	SEB-25-02	Oct 27/2014	Jul 1/2015
	Fuel - Fuel Return Line Inspection and Modification	SEB-28-01	Sep 21/2012	Jul 1/2013
	Navigation - Garmin G1000 Enhanced Search and Rescue Enablement	SEB-34-01	Mar 22/2012	No Effect
	Garmin G1000 System Software Upgrade to Version 0563.26 for Airplanes Equipped with NAV III	SEB-34-02R1	Apr 16/2012	No Effect
	Garmin G1000 System Software Upgrade to Version 0563.26 for Airplanes Equipped with NAV III	SEB-34-03	Mar 27/2012	No Effect
	Navigation - EVS Installation	SEB-34-04	Aug 23/2012	Jul 1/2013
	Rudder Pedal Cotter Pin Inspection	SSP09-27-01	Jun 15/2009	Jul 1/2012

CESSNA AIRCRAFT COMPANY
MODEL 172 (SERIES 1996 AND ON)
ILLUSTRATED PARTS CATALOG

SUPPLIER ADDRESS LIST

00624	EATON AEROQUIP, INC. ENGINEERED SYSTEMS DIV. 300 S. East Ave. Jackson, MI 49203-1972	0E3U1	AERO ACCESSORIES, INC. 1240 Springwood Church Rd. Gibonsville, NC 27249
00779	TYCO ELECTRONICS CORP. 2800 Fulling Mill M/X 38-77 Middletown, PA 17057	0FWE1	AM-SAFE, INC. DIV. OF MARMON GROUP 1043 N. 47th Ave. Phoenix, AZ 85043
02953	PORTER, P.L. CO. 6355 De Soto Ave. Woodland Hills, CA 91367	0GZF3	HEADS UP TECHNOLOGIES INC. 2033 Chennault Suite 100 Carrollton, TX 75006-5097
06970	TUTHILL CORP. CABLECRAFT DIV. 4401 S. Orchard P.O. Box 11372 Tacoma, WA 98411	0MBZ4	AVT INC. DBA ELECTRITEK-AVT 400 EAST MINERAL Ave. Littleton, CO 80122-2604
08863	NYLOMATIC 10 Headley Place Fallsington, PA 19504-1401	0MCFA	MCFARLANE AVIATION, INC. 696 E. 1700 Rd. Baldwin City, KS 66006
09393	ROCHESTER GAUGES, INC. 11616 Harry Hines Blvd. P.O. Box 29242 Dallas, TX 75229	0MXP2	TEMPREL INC. 206 Air Industrial Dr. P.O. Box 308 Boyne City, MI 49712
09445	DUKES, INC. 9060 Winnetka Ave. Northridge, CA 91324-3293	0SX36	C & J DECORATIVE PLASTICS INC. 701 Wilson Point Rd. Hanger 3 Baltimore, MD 21220
0A1K8	MICHELIN AIRCRAFT TIRE CORP. 1305 Perimeter Rd. Greenville, SC 29605	0TRC3	GARMIN INTERNATIONAL, INC. 1200 East 151st St. Olathe, KS 66062-3426
0AFL4	CHAMPION SPARK PLUG CO. AVIATION PRODUCTS DIV. LIBERTY PLANT 1230 Old Norris Rd. P.O. Box 686 Liberty, SC 29657-0686	0VDA9	LUMINATOR HOLDING LP DBA LUMINATOR AIRCRAFT PARTS DIV. 1200 E. Plano Pkwy. Plano, TX 75074-8594
0DC29	DU PONT 1002 Industrial Rd. Old Hickory, TN 37138-3617	0VMG4	SPORTY'S Sporty's County Sporty's Airport Batavia, OH 45103

CESSNA AIRCRAFT COMPANY
MODEL 172 (SERIES 1996 AND ON)
 ILLUSTRATED PARTS CATALOG

10402	WHELEN ENGINEERING CO., INC. Rt. 145 Winthrop Road Chester, CT 06412	1MTQ9	SKY-TEC 350 Howard Clemmons Rd. Granbury, TX 76048
10966	CASCO PRODUCTS DIV OF SUN CHEMICAL CORP. 512 Handcock Ave. Bridgeport, CT 06605--2305	1XE65	BIRK AEROSYSTEMS CORP. 7522 Slater Ave. 116 Huntington Beach, CA 92647
12324	DUPREE, INC. STAKE FASTENER CO. DIV. 14395 Ramona P.O. Box 1797 Chino, CA 91708	20887	S & M PRODUCTS INC. 2515 E. Bonnie Brook Lane Waukegan, IL 60087
13174	IMPERIAL EASTMAN A CLEVITE INDUSTRIES CO. 1440 N. 24th St. P.O. Box 647 Maintowoc, WI 54220	22373	HONEYWELL INTERNATIONAL, INC. AEROSPACE ELECTRONIC SYSTEMS 23500 W. 105th St. 1 Technology Center Olathe, KS 66061
13636	BARRY CONTROLS AEROSPACE DIV. OF APPLIED POWER INC. 4510 Vanowen St. Burbank, CA 91505-7710	22863	KAVILCO CORP. 14501 Los Angeles Ave. Moorpark, CA 93021
14550	LUMINESCENT SYSTEMS, INC. 77 Olean Rd. East Aurora, NY 14502-0000	25500	LORAL CORP. DEFENSE SYSTEMS DIV.-AKRON 1210 Massillon Rd. Akron, OH 44037
17875	EATON CORP. AIR CONTROLS DIV. Route 501 South Roxboro, NC 27573	26433	PARKER-HANNIFIN CORP. AIRBORNE DIV. 711 Taylor St. P.O. Box 4032 Elyria, OH 44036
18560	ACR ELECTRONICS, INC. 5757 RAVENSWOOD Rd. FORT LAUDERDALE, FL 33312-6603	28856	TELEX COMMUNICATIONS, INC. SUBDIVISION OF TELEX CORP. 9600 Aldrich Ave. S. Minneapolis, MN 55420-4210
1DT52	BUCKLEY INDUSTRIES INC. 1600 E. Murdock St. P.O. Box 574 Wichita, KS 67219	2B785	ALCOR AVIATION, INC. 12043 Colwick San Antonio, TX 78216
1DWF8	AIRCRAFT SECURITY & ALERT SYSTEMS, LLC. 3863 Royal Dallas, TX 75229-3958	32063	MORTON THIOKOL INC. MORTON CHEMICAL DIV. 333 W. Wacker Dr. Chicago, IL 60606
1G202	WATLOW ELECTRIC MFG. CO. Replaced By 79221		

CESSNA AIRCRAFT COMPANY
MODEL 172 (SERIES 1996 AND ON)
 ILLUSTRATED PARTS CATALOG

32890	LUMINESCENT SYSTEMS, INC. 4 Lucent Drive Lebanon, NH 03766-1439	55635	DAYTON-GRANGER, INC. 3299 SW. 9th Ave. P.O. Box 350550 Fort Lauderdale, FL 33335
33269	PARKER-HANNIFIN CORP. AIRCRAFT WHEEL AND BRAKE DIV. 1160 Center Rd. P.O. Box 158 Avon, OH 44011-1208	57323	TRANS-CAL INDUSTRIES INC. 16141 Cohasset St. Van Nuys, CA 91406
33497	PRECISION WINDING, INC. 109 S. Knight Wichita, KS 67213	58507	POINTER, INC. 1027 N. St.adem Dr. Tempe, AZ 85281-1877
35FB9	AMSAFE, INC. DBA AMSAFE AVIATION 1043 N. 47th Ave. Phoenix, AZ 85043-1817	58880	VIBRO-METER, INC. 10 Ammon Dr. Manchester, NH 03103-7406
3P7Q0	ENIVATE INC. 7 Centre Dr. Orchard Park, NY 14127-2293	5G407	WILCO, INC. 3502 West Harry Wichita, KS 67213-1410
3RCD2	LAMAR TECHNOLOGY, INC. 14900 40th Ave. NE. Marysville, WA 98271	60253	ARTEX AIRCRAFT SUPPLIES, INC. 10714 Township Rd. P.O. Box 1270 Canby, OR 97013
45402	PACIFIC SCIENTIFIC CO. HTL/KIN TECH DIV. CONTROLS AND RESEARCH GROUP 1800 Highland Ave. Duarte, CA 91010	60380	TIMKEN U.S. CORP. NEEDLE BEARINGS DIV. 336 Mechanic St. Lebanon, NH 03766-0267
4S434	SHARPLINE CONVERTING INC. 1520 S. Tyler Rd. P.O. Box 9608 Wichita, KS 67277-0608	61162	JFW INDUSTRIES INC. 5134 Commerce Square Dr. Indianapolis, IN 46237-9737
51351	COMANT INDUSTRIES, INC. 12920 Park St. Santa Fe Springs, CA 93022	61196	PRATT AND LAMBERT INC. 16116 E. 13th St. P.O. Box 2153 Wichita, KS 67010
54071	APPH WICHITA, INC. 1445 South Sierra Dr. Wichita, KS 67209-2933	63017	CONCORDE BATTERY CORP. 2009 San Bernardino Rd. West Covina, CA 91970
54636	SHERWIN-WILLIAMS CO. THE 101 Prospect Ave. N W Cleaveland, OH 44115-1042	63131	DAVTRON, INC. 427 Hillcrest Way Redwood City, CA 94062-4012
55285	THE BERGQUIST CO., INC. 5300 Edina Industrial Blvd. Minneapolis, MN 55434		

CESSNA AIRCRAFT COMPANY
MODEL 172 (SERIES 1996 AND ON)
 ILLUSTRATED PARTS CATALOG

65702	PRECISION AIRMOTIVE CORP. Snohomish County Airport 3200 100th St. SW Suite E Everett, WA 98204	74970	JOHNSON EF CO. 299 10th Ave. SW Waseca, MN 56093
65873	ACS PRODUCTS CO. 1585 Copper Dr. Lake Havasu, AZ 86403	76005	LORD CORP. AEROSPACE PRODUCTS DIV. 1635 W. 12th St. P.O. Box 10039 Erie, PA 16514
65907	AEROSPACE DISPLAY SYSTEM, INC. 2321 Topaz Dr. Hatfield, PA 19440-1936	76275	CESSNA AIRCRAFT CO. MCCAULEY ACCESSORY DIV. 5800 East Pawnee Wichita, KS 67218
66530	CLICK BOND DIV. OF PHYSICAL SYSTEMS, INC. 2151 Lockheed Way Carson City, NV 89701-0713	76374	EATON AEROSPACE, LLC POWER & LOAD MANAGEMENT SYSTEMS 2250 Whitefield Ave. Sarasota, FL 34243-3962
6H474	FOAMEX LTD. TNERSHIP 3005 COMMERCIAL Rd. FORT WAYNE, IN 46809	78385	STEWART-WARNER SOUTH WIND CORP. 2495 Directors Row Suite F Indianapolis, IN 46241-5534
71286	ALCOA GLOBAL FASTENERS, INC. CAMLOC PRODUCTS DIV. DBA ALCOA FASTENING SYSTEMS 3014 West Lomita Blvd. Torrance, CA 90505	78553	EATON CORP. ENGINEERED FASTENERS DIV. 1060 West 130th St. Brunswick, OH 44212
71379	CESSNA AIRCRAFT CO. DEPT 870 PC 1 Cessna Blvd. Wichita, KS 67277-7704	79221	WATLOW ELECTRIC MFG. CO. 12001 Lackland Rd. St. Louis, MO 63149-4039
71400	COOPER BUSSMAN, INC. 114 Old State Rd. P.O. Box 14460 St. Louis, MO 63021-5942	80205	NATIONAL AEROSPACE STANDARDS COMMITTEE AEROSPACE INDUSTRIES ASSOCIATION OF AMERICA INC. ASSOCIATION OF AMERICA INC. 1250 Eye St. NW. Washington, DC 20005
72914	GRIMES AEROSPACE CO. DBA HONEYWELL 550 St. Rt. 55 Urbana, OH 43078-1948	81343	SOCIETY OF AUTOMOTIVE ENGINEERS 400 Commonwealth Dr. Warrendale, PA 15096
73957	GROOV-PIN CORP. 1125 Hendricks Causeway Ridgefield, NJ 07657-2185		
74868	AMPHENOL CORP. COMMUNICATION & NETWORK PRODUCTS DIV. 1 Kennedy Ave. Danbury, CT 06810-5803		

CESSNA AIRCRAFT COMPANY
MODEL 172 (SERIES 1996 AND ON)
 ILLUSTRATED PARTS CATALOG

81640	EATON CORP. AEROSPACE AND COMMERCIAL CONTROL DIV 2250 Whitfield Ave. E Sarasota, FL 34243-9703	93907	TEXTRON FASTENING SYSTEMS DBA DECORAH OPERATIONS TFS 1304 Kerr Dr. Decorah, IA 52101-2046
82389	SWITCHCRAFT, INC. SUBDIVISION OF RAYTHEON 5555 N. Elstron Ave. Chicago, IL 60630-1314	98313	DAVIS AIRCRAFT PRODUCTS CO. INC. 1150 Walnut Ave. Bohemia, NY 11716
82647	SENSATA TECHNOLOGIES INC. 529 Pleasant St. Attleboro, MA 02703-2421	ASFS	ALLIED-SIGNAL INC. FILTERS & SPARK PLUGS 28399 Cedar Park Blvd. Perrysburg, OH 43551
82877	ROTRON, INC. DBA AMETEK ROTRON TECHNICAL MOTOR DIV. 9 Hasbrouch Lane Woodstock, NY 12498	AVSPC	AVIATION SPECIALTIES P.O. Box 1172 Chillicothe, MO 64601
83014	HARTWELL CORP. 900 S. Richfield Rd. Placentia, CA 92870	FAM75	ANALOG DEVICES, INC. 1 TECHNOLOGY WAY NORWOOD, MA 02062-2634
83564	NELLCOR PURITAN BENNETT SYSTEM CO. 18475 Pacific St. Fountain Valley, CA 92708-7004	MCFA	MCFARLANE AVIATION, INC. 696 E. 1700 Rd. Baldwin City, KS 66006
84830	LEE SPRINGS CO., INC. 1462 62nd St. Brooklyn, NY 11219-5413	RPDE	ROSEN PRODUCT DEVELOPMENT INC. P.O. Box 5386 Eugene, OR 97405
90227	DU PONT E I NEMOURS AND CO. INC. AUTOMOTIVE PRODUCTS DIV. Brandywine Bldg 3332 1007 Market St. Wilmington, DE 19898	S5416	NEW JAPAN RADIO CO., LTD. MITSUYA TORANOMON BLDG. 22-14 TORANOMON 1 CHOME MINATO-KU TOKYO, JAPAN 105
90763	TRW ASSEMBLIES AND FASTENERS GROUP FASTENERS DIV. DISTRIBUTION SALES CENTER CHICAGO 10544 W. Lunt Ave. Rosemont, IL 60018	STRW	STAR WEST MFG. 811 S. Grand Ave. Santa Ana, CA 92705
91547	TEXTRON LYCOMING INC. STRATFORD PLANT 550 S. Main St. Stratford, CT 06615	TRAI	TROLL AVIONICS INC. 3481 W. Fifth St. Oxnard, CA 93030

CESSNA AIRCRAFT COMPANY
MODEL 172 (SERIES 1996 AND ON)
 ILLUSTRATED PARTS CATALOG

NOMENCLATURE	CH	SEC	SUBJ	FIG	ITEM
A					
AAIR V23 SEATBELT AIRBAG ASSY-PILOT TAN 172	25-10-03-01A				-001B
AAIR V23 SEATBELT AIRBAG ASSY-COPILOT GRAY 172	25-10-03-01A				-002
AAIR V23 SEATBELT AIRBAG ASSY-COPILOT TAN 172	25-10-03-01A				-002B
AAIR V23 SEATBELT AIRBAG ASSY-LH TAN 172	25-21-01-01A				-001
AAIR V23 SEATBELT AIRBAG ASSY-LH TAN 172S	25-21-01-01A				-001A
AAIR V23 SEATBELT AIRBAG ASSY-RH TAN 172	25-21-01-01A				-002
AAIR V23 SEATBELT AIRBAG ASSY-RH TAN 172S	25-21-01-01A				-002A
ACTUATOR AND MOTOR ASSY-INTERNALLY FILTERED 172	27-50-00-01				-032
ACTUATOR AND MOTOR ASSY-INTERNALLY FILTERED 172S	27-50-00-01				-032A
ACTUATOR AND SWITCH BAR ASSY	27-50-00-01				-037
ACTUATOR ASSY FSO C301002-0122	27-50-00-01				-036
ADAPTER	28-21-00-01				-005A
ADAPTER-FLARE SWIVEL FUEL 172S	28-21-00-01				-008A
ADJ. VOLTAGE REGULATOR Q1	33-13-00-01A				-020
AFT AVIONICS EQUIPMENT - NAV III	34-13-00-01				-
AFT BENCH SEAT INSTALLATION	25-21-00-01				-
AFT SHELF SUPPORT ASSY 172	34-40-00-01				-013
AILERON CONTROL SYSTEM	27-10-00-03				-
AILERON INSTALLATION	57-60-00-01				-
AIR FILTER 172S	71-60-00-01				-017
AIR FILTER BOX ASSY 172	71-60-00-01				-001
AIR FILTER BOX ASSY 172S	71-60-00-01				-001A
AIR FILTER BOX ASSY FSO 0550364-13 172	71-60-00-01				-001B
AIR INDUCTION ELBOW ASSY	71-60-00-01				-009
AIR VALVE-LH AND RH 172 FSO AV4080-3	21-20-00-01				-004H
AIR VALVE-LH AND RH 172 FSO AV4081-3	21-20-00-01				-016F
AIR SPEED INDICATOR	34-10-00-01				-003
AIR SPEED INDICATOR EI008 172	34-11-00-01				-018
ALTERNATOR CONTROL UNIT-WAS AC2100	24-60-00-01				-005
ALTERNATOR INSTALLATION	24-20-00-01				-
ANNUNCIATOR UI005 172	31-50-01-01				-001
ANNUNCIATOR UI005 172S	31-50-01-01				-001A
ANNUNCIATOR NAV II UI005 172	31-50-01-01				-001B
ANNUNCIATOR NAV II UI005 172S	31-50-01-01				-001C
ANTENNA USED WITH STANDARD, NAV1 & NAV2 . AVIONICS PACKAGE	34-50-00-01				-075
ANTENNA-TRANSPONDER	34-50-02-01				-004
ANTENNA-TRANSPONDER/DME	34-50-02-01				-004B
ANTENNA-GPS FSO 071-01620-0001	34-51-00-01				-001
ANTENNA INSTALLATION - VHF COMMUNICATION	23-10-00-01				-
ANTENNA VHF/GPS/XM-LH 172	23-10-00-01				-001P
ANTENNA-ADF KA44B USED WITH NAV 1 & NAV 2 ALT 071-1234-00	34-50-01-01				-006
ARGENTINE EXTERIOR PLACARDS AND MARKINGS - COWLING	11-LQ-24-01				-
ARGENTINE EXTERIOR PLACARDS AND MARKINGS - FUSELAGE	11-LQ-22-01				-
ARGENTINE EXTERIOR PLACARDS AND MARKINGS - WINGS	11-LQ-25-01				-
ARGENTINE INTERIOR PLACARDS AND MARKINGS - CABIN	11-LQ-32-01				-
ARGENTINE INTERIOR PLACARDS AND MARKINGS - CABIN DOORS	11-LQ-38-01				-
ARGENTINE INTERIOR PLACARDS AND MARKINGS - SEATS	11-LQ-31-01				-
ARM ASSY-FUEL CONTROL	28-21-00-01				-018
ATTITUDE INDICATOR-GYRO	34-10-00-01				-004
AUDIO PANEL INSTALLATION	23-50-00-01				-
AUDIO PANEL INSTALLATION-NAV III	23-50-00-02				-
AUTOMATIC DIRECTION FINDING (ADF) SYSTEM-NAV I & NAV II	34-50-01-01				-
AUTOPILOT INSTALLATION KAP & KC-140	22-10-00-01				-
AUTOPILOT INSTALLATION-NAV III KAP-140	22-10-00-01A				-
AVIONICS CIRCUIT BREAKER PANEL-NAV 1	24-61-00-03				-
AVIONICS CIRCUIT BREAKER PANEL-NAV 1 WITH ADF	24-61-00-03A				-
AVIONICS CIRCUIT BREAKER PANEL-NAV 2 WITH ADF/MFD	24-61-00-09				-
AVIONICS CIRCUIT BREAKER PANEL-NAV 2 WITH HSI	24-61-00-05				-
AVIONICS CIRCUIT BREAKER PANEL-NAV 2 WITH HSI/ADF/MFD	24-61-00-10				-
AVIONICS CIRCUIT BREAKER PANEL-NAV 2 WITH IFR	24-61-00-04				-

CESSNA AIRCRAFT COMPANY
MODEL 172 (SERIES 1996 AND ON)
ILLUSTRATED PARTS CATALOG

NOMENCLATURE	CH	SEC	SUBJ	FIG	ITEM
--------------	----	-----	------	-----	------

A Continued

AVIONICS CIRCUIT BREAKER PANEL-NAV 2 WITH MFD	24-61-00-08	-
AVIONICS CIRCUIT BREAKER PANEL-NAV II WITH HSI/MFD/FIS	24-61-00-12	-
AVIONICS CIRCUIT BREAKER PANEL-STANDARD	24-61-00-02	-
AVIONICS CIRCUIT BREAKER-NAV II WITH MFD/FIS	24-61-00-14	-
AVIONICS CIRCUIT BREAKER-NAV II WITH MFD/FIS/ADF	24-61-00-15	-
AVIONICS COOLING FAN INSTALLATION	21-21-00-01	-
AXLE-MAIN LANDING GEAR	32-10-00-01	-023

B

BAFFLE ASSY-RH REAR VERTICAL 172 FSO 0509069-15	71-11-00-01	-001A
BAFFLE ASSY-RH FWD VERTICAL 172	71-11-00-01	-165
BAGGAGE DOOR INSTALLATION	52-30-00-01	-
BALL JOINT FSO SL101-4 172	32-50-00-01	-011
BALL JOINT FSO SL101-4 172S	32-50-00-01	-011A
BALL JOINT 172S	32-50-00-01	-011C
BASE-REPLACEMENT OPT, (2 PART) AIRPLANES INCORPORATING MK172-23-01	23-60-00-01	-001D
BATTERY INSTALLATION	24-34-00-01	-
BATTERY PACK 172 UC005	24-34-00-02	-001
BATTERY PACK-ELT	25-60-00-01	-001C
BATTERY PACK ASSY 172 UC007 ALT FOR AVT-200413	24-34-00-02	-001B
BATTERY TRAY ASSY-STANDBY BATTERY	53-10-00-03	-001
BELLCRANK ASSY	25-10-00-02	-092
BELLCRANK ASSY-RUDDER BRAKE	27-21-00-01	-091
BELLCRANK ASSY-FWD ELEVATOR	27-30-00-01	-001
BELLCRANK ASSY-ELEVATOR REAR 172 FSO 0534128-1	27-30-00-01	-018
BELLCRANK ASSY-ELEVATOR REAR 172S FSO 0534128-1	27-30-00-01	-018A
BELLCRANK ASSY-ELEVATOR REAR 172	27-30-00-01	-018B
BELLCRANK ASSY-ELEVATOR REAR 172S	27-30-00-01	-018C
BELLCRANK ASSY-ELEVATOR 172 FSO 0534128-1	55-20-00-01	-001
BELLCRANK ASSY-ELEVATOR 172S FSO 0534128-1	55-20-00-01	-001A
BELLCRANK ASSY-ELEVATOR 172	55-20-00-01	-001B
BELLCRANK ASSY-ELEVATOR 172S	55-20-00-01	-001C
BELT-ALTERNATOR	24-20-00-01	-007
BEZEL PANEL SILKSCREENS	11-N-31-03	-
BEZEL-AVIONICS CIRCUIT BREAKER PANEL	24-61-00-06	-001
BEZEL-AVIONICS CIRCUIT BREAKER PANEL NAV 2 W/HSI 172	24-61-00-05	-075
BEZEL-AVIONICS CIRCUIT BREAKER PANEL NAV 2 W/HSI 172S	24-61-00-05	-075A
BEZEL-AVIONICS CIRCUIT BREAKER PANEL NAV 2 WITH ADF 172S	24-61-00-06	-075
BEZEL-AVIONICS CIRCUIT BREAKER PANEL W/HSI/ADF 172	24-61-00-07	-001
BEZEL-AVIONICS CIRCUIT BREAKER PANEL W/HSI/ADF 172S	24-61-00-07	-001A
BLIND ENCODER WITH MOUNTING TRAY & KNURLED NUT UC800 172	34-11-00-01	-087
BLOCK-ELEVATOR TAB STOP	27-30-01-01	-097
BLOCK-ELEVATOR TAB STOP	27-30-01-01	-098
BOLT-ELEVATOR STOP FSO NAS428H3-16	27-30-00-01	-034
BOOT ASSY-LH 172 FSO 0543027-5	53-10-00-02	-096
BRACKET-COMPASS	53-10-00-02	-168
BRACKET ASSY-ELEVATOR BELLCRANK	53-10-00-02	-179
BRACKET ASSY-LH 172	53-11-00-02	-042
BRAKE ASSY LH AND RH	32-30-00-01	-018
BRAKE CYLINDER 172	32-32-01-01	-002
BRAKE SYSTEM	32-32-00-01	-
BRAZILIAN EXTERIOR PLACARDS AND MARKINGS - COWLING	11-PP-24-01	-
BRAZILIAN EXTERIOR PLACARDS AND MARKINGS - FUSELAGE	11-PP-22-01	-
BRAZILIAN EXTERIOR PLACARDS AND MARKINGS - WINGS	11-PP-25-01	-
BRAZILIAN INTERIOR PLACARDS AND MARKINGS - CABIN	11-PP-32-01	-
BRAZILIAN INTERIOR PLACARDS AND MARKINGS - CABIN DOORS	11-PP-38-01	-
BRAZILIAN INTERIOR PLACARDS AND MARKINGS - SEATS	11-PP-31-01	-

CESSNA AIRCRAFT COMPANY
MODEL 172 (SERIES 1996 AND ON)
 ILLUSTRATED PARTS CATALOG

NOMENCLATURE	CH	SEC	SUBJ	FIG	ITEM
--------------	----	-----	------	-----	------

B Continued

BULB ASSY FI002 172.....	33-10-00-01	-001
BULB MOUNT 172.....	33-10-00-01	-010
BULKHEAD ASSY-FRONT DOORPOST 172.....	53-11-00-01	-001A
BULKHEAD ASSY-FRONT DOORPOST 172.....	53-11-00-01	-001C
BULKHEAD ASSY-REAR DOORPOST 172 FSO 0512186-38.....	53-11-00-02	-001
BULKHEAD ASSY-LANDING GEAR 172 FSO 0511794-9.....	53-11-00-03	-001A
BULKHEAD ASSY-LANDING GEAR 172S FSO 0511794-9.....	53-11-00-03	-001B
BULKHEAD ASSY-LANDING GEAR 172.....	53-11-00-03	-001C
BULKHEAD ASSY-LANDING GEAR 172S.....	53-11-00-03	-001D
BULKHEAD ASSY-LANDING GEAR 172.....	53-11-00-03	-001E
BULKHEAD ASSY-LANDING GEAR 172S.....	53-11-00-03	-001F
BUS BAR HI908.....	24-61-00-04	-088
BUS BAR HI908.....	24-61-00-04	-015
BUS BAR-DIODE MOUNT HI021.....	24-61-00-01	-027
BUTTON-BRIGHT LIGHT RADIO.....	33-13-00-01	-076
BUTTON-STATIC PORT.....	34-11-00-01	-085
BUZZER-ELT.....	25-60-00-02	-009

C

C406-N-ELT ROD ANTENNA.....	25-60-00-02	-001
C406-N-MAIN ASSY.....	25-60-00-02	-003
C406-N-ELT ROD ANTENNA.....	25-60-00-03	-006
CA AUDIO STANDARD.....	23-50-00-01	-009
CABIN DOOR INSTALLATION - LH.....	52-10-00-01	-
CABIN DOOR INSTALLATION - RH.....	52-10-00-02	-
CABIN DOOR LATCH ASSEMBLY EXTERIOR.....	52-10-02-01	-
CABIN HEATING AND DEFROSTING INSTALLATION.....	21-40-00-01	-
CABIN TOP ASSY-SKYLIGHT 172.....	56-60-00-01	-003
CABIN VENTILATION SYSTEM.....	21-20-00-01	-
CABIN WINDOWS.....	56-20-00-01	-
CABLE ASSY-PITCH SERVO.....	22-10-00-01	-088
CABLE ASSY-PITCH SERVO.....	22-10-00-01	-089
CABLE ASSY STAINLESS-CONTROL YOKE.....	27-10-00-01	-075
CABLE ASSY-AILERON DIRECT STAINLESS.....	27-10-00-03	-004
CABLE ASSY-AILERON DIRECT CARBON.....	27-10-00-03	-004A
CABLE ASSY-AILERON CROSSOVER STAINLESS.....	27-10-00-03	-007
CABLE ASSY-AILERON CROSSOVER CARBON.....	27-10-00-03	-007A
CABLE ASSY-LH STAINLESS RUDDER.....	27-20-00-01	-001
CABLE ASSY-LH CARBON RUDDER.....	27-20-00-01	-001A
CABLE ASSY-FWD ELEVATOR STAINLESS STEEL.....	27-30-00-01	-009
CABLE ASSY-FWD ELEVATOR CARBON STEEL.....	27-30-00-01	-009A
CABLE ASSY-FLAP STAINLESS STEEL.....	27-50-00-01	-075
CABLE ASSY-FLAP CARBON STEEL.....	27-50-00-01	-075A
CABLE ASSY-PARKING BRAKE.....	32-32-00-02	-027
CABLE INTERFACE ASSEMBLY.....	25-10-03-01A	-017
CAM 172.....	25-21-00-01	-236B
CANADIAN EXTERIOR PLACARDS AND MARKINGS - WINGS.....	11-C-25-01	-
CANADIAN INTERIOR PLACARDS AND MARKINGS-FLIGHT COMPARTMENT.....	11-C-31-01	-
CAP ASSY-FUEL FILLER.....	28-10-01-01	-001
CARPET ASSY-BAGGAGE COMPARTMENT.....	25-20-10-02	-010
CARPET ASSY-BAGGAGE COMPARTMENT.....	25-20-10-01	-004
CARPET INSTALLATION.....	25-23-00-01	-
CASE ASSY-MAP 172.....	25-10-02-01	-003
CASE ASSY-MAP 172S.....	25-10-02-01	-003A
CASE ASSY-MAP 172.....	25-10-02-01	-003B
CASE ASSY-MAP 172S.....	25-10-02-01	-003C
CESSNA LOGO-FUEL JAR 172.....	28-10-01-01	-029

CESSNA AIRCRAFT COMPANY
MODEL 172 (SERIES 1996 AND ON)
 ILLUSTRATED PARTS CATALOG

NOMENCLATURE	CH	SEC	SUBJ	FIG	ITEM
--------------	----	-----	------	-----	------

C Continued

CHAIN & CABLE ASSY-ELEVATOR TRIM FWD STAINLESS STEEL.....	27-30-01-01				-075
CHAIN & CABLE ASSY-ELEVATOR TRIM FWD CARBON STEEL.....	27-30-01-01				-076
CHANNEL-SKYLIGHT.....	56-60-00-01				-009
CIRCUIT BREAKER-AVIONICS FAN HI906.....	24-61-00-05				-007
CIRCUIT BREAKER-AVIONICS FAN HI906.....	24-61-00-05				-081
CIRCUIT BREAKER-AVIONICS FAN HI906.....	24-61-00-06				-007
CIRCUIT BREAKER-AVIONICS FAN HI906.....	24-61-00-06				-081
CIRCUIT BREAKER-AVIONICS FAN HI906.....	24-61-00-07				-007
CIRCUIT BREAKER PANEL ASSEMBLY.....	24-61-00-01				-
CIRCUIT BREAKER PANEL ASSEMBLY.....	24-61-00-01A				-
CLOCK AND OUTSIDE AIR TEMP GAUGE INSTALLATION.....	31-20-01-01				-
COAX ADAPTER.....	23-50-00-01				-007
COMPASS INSTALLATION.....	34-21-00-01				-
CONFIGURATION MODULE 172.....	22-10-00-01				-004
CONNECTOR ASSY.....	34-11-00-01				-037
CONSOLE-CUPHOLDER MILLENNIUM 172S.....	25-23-00-01				-010
CONSOLE COVER INSTALLATION-LIGHTED.....	33-10-01-01				-
CONSOLE STRUCTURE ASSEMBLY.....	53-22-00-02				-
CONTACTOR-ALTERNATOR.....	24-60-00-01				-004
CONTROL-DISPLAY KMA26 USED WITH STANDARD, NAV1 & NAV2.....	34-50-00-01				-009
CONTROL ASSY-FUEL SHUTOFF VALVE.....	28-21-00-01				-021
CONTROL ASSY FUEL MIXTURE 172 FSO 6404-1.....	76-11-00-01				-001
CONTROL ASSY-THROTTLE 172 FSO 6403.....	76-10-00-01				-001
CONTROL ASSY-THROTTLE 172S FSO 6403.....	76-10-00-01				-001A
CONTROL ASSY-THROTTLE 172 FSO 6403.....	76-10-00-01				-001B
CONTROL ASSY-THROTTLE 172S FSO 6403.....	76-10-00-01				-001C
CONTROL ASSY-THROTTLE 172.....	76-10-00-01				-001D
CONTROL ASSY-THROTTLE 172S.....	76-10-00-01				-001E
CONTROL LOCK.....	27-70-00-01				-
CONTROL LOCK ASSY.....	27-70-00-01				-001
CONTROL WHEEL INSTALLATION.....	27-10-00-02				-
CONTROL WHEEL WITH GFC700.....	27-10-00-02A				-
CONTROL YOKE ASSY 172.....	27-10-00-01				-001
CONTROL YOKE ASSY 172S.....	27-10-00-01				-001A
CONTROL YOKE ASSY 172.....	27-10-00-01				-001B
CONTROL YOKE ASSY 172S.....	27-10-00-01				-001C
CONTROL YOKE INSTALLATION.....	27-10-00-01				-
COOLING FAN.....	21-21-00-01				-001
COOLING FAN-DECK SKIN.....	21-21-00-02				-001D
COOLING FAN WITH CABLE ASSY-DECK SKIN 172.....	21-21-00-02				-001
COOLING FAN WITH CABLE ASSY-DECK SKIN 172.....	21-21-00-02				-001B
COURTESY LIGHT-LED.....	33-44-00-02				-001
COURTESY LIGHT INSTALLATION.....	33-44-00-01				-
COURTESY LIGHT INSTALLATION-LED.....	33-44-00-02				-
COVER-STANDARD AVIONICS 172.....	31-00-00-01				-156
COVER-STANDARD AVIONICS 172S.....	31-00-00-01				-156A
COVER-STANDARD AVIONICS 172.....	31-00-00-01				-156B
COVER-STANDARD AVIONICS 172S.....	31-00-00-01				-156C
COVER-STEP BRACKET.....	32-11-00-01				-015
COVER-FUEL BAY.....	57-10-02-01				-003
COVER PLATE ASSY-LH MAIN LANDING GEAR.....	32-11-00-01				-007
COVER-BAGGAGE DOOR HINGE 172.....	25-20-10-02				-030
COVER-CIRCUIT BREAKER BACK 172 AND AIRPLANES INCORPORATING MK172-24-02.....	24-61-00-01				-036
COVER-COWL DECK.....	25-20-10-01				-030
COVER-COWL DECK.....	25-20-10-02				-116
COVER-NOSE CAP LH.....	25-70-00-01				-001
COWL ASSY-LOWER FSO 0552212-50.....	71-10-00-01				-001A
COWL ASSY-UPPER.....	71-10-00-01				-075
CUP-FUEL SAMPLER 172.....	28-10-01-01				-027

CESSNA AIRCRAFT COMPANY
MODEL 172 (SERIES 1996 AND ON)
 ILLUSTRATED PARTS CATALOG

NOMENCLATURE	CH	SEC	SUBJ	FIG	ITEM
--------------	----	-----	------	-----	------

D

DAMPENER ASSEMBLY-SHIMMY 172 FSO SE-1051-2 172	32-20-02-01				-001
DAMPING MATERIAL	25-80-00-01				-150A
DATA LOGGING SD CARD 172	34-60-00-01				-004
DATA LOGGING SD CARD 172S	34-60-00-01				-004A
DECK SKIN 172	53-10-00-02				-019
DEFLECTOR-GLARESHIELD 172	33-10-00-01				-008
DIMMING ASSY ZC001 172 FSO 1570301-5	33-13-00-01				-079
DIMMING ASSY 172	33-13-00-01				-092
DIMMING MODULE-WBA	33-13-00-01A				-009
DIMMING MODULE-WBA 172	33-13-00-01A				-024
DIMMING MODULE CABLE ASSY 172	33-13-00-01				-086
DIMMING MODULE WBA 172S	33-13-00-01				-086C
DIODE DI002	24-61-00-01				-024
DISCHARGE WICK-REPLACEMENT OPT, (2 PART) AIRPLANES INCORPORATING MK172-23-01	23-60-00-01				-001E
DISPLAY-KMD-540 MULTI FUNCTION	34-52-00-01				-001
DISPLAY UNIT-PFD 172 FSO S3100-619	34-60-00-01				-001
DISPLAY UNIT-GDU-1040 172 FSO S3100-619	34-60-00-01				-001B
DISPLAY UNIT INSTALLATION - NAV III	34-60-00-01				-
DME-KN63	34-60-00-02				-001
DME-KN63 ALT FOR 066-01070-0001	34-60-00-02				-001A
DOMED FLAG EMBLEM	11-10-00-03				-049
DOOR-INDUCTION AIR	71-60-00-01				-006
DOOR ASSY-SIDE AIR VENT	21-20-00-01				-017
DOOR ASSY-MAP CASE	25-10-02-01				-006
DOOR ASSY-SPEED FAIRING	32-21-00-01				-018
DOOR INSTL-COWL ACCESS	71-10-00-01				-095
DORSAL FIN ASSEMBLY	53-50-00-01				-
DOUBLER-ELT ANTENNA 172	53-20-00-01				-318B
DOUBLER-ELT ANTENNA 172S	53-20-00-01				-318C
DOUBLER ASSY-FIS/DME ANTENNA 172	34-53-00-04				-006B
DOUBLER ASSY-ADF ANTENNA	53-10-00-01				-098
DOUBLER ASSY-GPS ANT 172	53-20-00-01				-317
DRIVE PULLEY ASSY-LEFT FLAP	27-50-00-01				-001
DRIVE-TACHOMETER 172	77-40-00-01				-003
DRIVE-TACHOMETER 172S	77-40-00-01				-003A
DRIVE-TACHOMETER FSO S2550-15 172	77-40-00-01				-003D
DRIVE-TACHOMETER FSO S2550-15 172S	77-40-00-01				-003E
DRIVE-TACHOMETER FSO S2550-15 W/(2) S1095-3 172	77-40-00-01				-003B
DRIVE-TACHOMETER FSO S2550-15 W/(2) S1095-3 172S	77-40-00-01				-003C

E

ELECTRONICS MODULE ASSEMBLY	25-10-03-01A				-018
ELEVATOR CONTROL SYSTEM	27-30-00-01				-
ELEVATOR INSTALLATION	55-20-00-01				-
ELEVATOR TRIM CONTROL SYSTEM	27-30-01-01				-
ELEVATOR TRIM TAB ACTUATOR ASSEMBLY	27-30-01-02				-
ELT SUPPORT ASSY 172	53-20-00-01				-228
ELT SUPPORT ASSY 172S	53-20-00-01				-228A
ELT SUPPORT ASSY 172	53-20-00-01				-228B
ELT SUPPORT ASSY 172S	53-20-00-01				-228C
ELT TRANSMITTER	25-60-00-01				-001
ELT TRANSMITTER-CANADIAN CERTIFICATION 172	25-60-00-01				-001A
ELT TRANSMITTER-CANADIAN CERTIFICATION 172S	25-60-00-01				-001B
EMBLEM MILLENNIUM	11-10-00-01				-206
EMERGENCY LOCATOR TRANSMITTER 3000-11/4000-11	25-60-00-01				-
ENGINE ASSY	71-00-01-01				-002

CESSNA AIRCRAFT COMPANY
MODEL 172 (SERIES 1996 AND ON)
 ILLUSTRATED PARTS CATALOG

NOMENCLATURE	CH SEC SUBJ FIG	ITEM
--------------	-----------------	------

E Continued

ENGINE ASSY CHROME OPTION	71-00-01-01	-002T
ENGINE BAFFLES INSTALLATION	71-11-00-01	-
ENGINE COMPONENTS	71-00-01-01	-
ENGINE COWL ASSEMBLY	71-10-00-01	-
ENGINE DRAIN LINES INSTALLATION	71-70-00-01	-
ENGINE MOUNT ASSY	71-20-00-01	-001
ENGINE MOUNT ASSY	71-20-00-02	-001
ENGINE MOUNT ASSY	71-20-00-03	-001
ENGINE MOUNT INSTALLATION	71-20-00-01	-
ENGINE MOUNT INSTALLATION	71-20-00-02	-
ENGINE MOUNT INSTALLATION	71-20-00-03	-
ENGINE POWER SYSTEM	77-40-00-01	-
ESCUTCHEON-LH MIC & AUTOPILOT/LH GRIP WITHOUT TRIM 172	27-10-00-02	-008A
EVS-600 CAMERA ASSY	34-30-01-01	-001
EXHAUST SYSTEM ASSEMBLY	78-10-00-01	-
EXHAUST TEMPERATURE GAUGE INSTALLATION	77-20-00-01	-
EXT GRAPHIC-PACKAGE BLUE METALLIC/HUNTER GREEN METALLIC/METALLIC GOLD OPTION	11-10-00-01	-075
EXTENDED BAGGAGE AREA	53-20-01-01	-
EXTENSION ASSY-RUDDER PEDAL	27-21-00-01	-096
EXTENSION VALVE	32-20-00-01	-028
EXTERIOR GRAPHIC-PACKAGE LARGE LOGO METALLIC TEAL/EMBER BLUE/GREYSTONEII/ DRK TEAL	11-10-00-01	-001
EXTERIOR GRAPHIC-PACKAGE LARGE LOGO GLOSS COOL GREY/CRIMSON/ DRK BLUE/ (OPTION)	11-10-00-01	-012
EXTERIOR GRAPHIC-PACKAGE SMALL LOGO TEAL/EMBER BLUE/GREYSTONEII METALIC OPTION	11-10-00-01	-024
EXTERIOR GRAPHIC-PACKAGE SMALL LOGO GLOSS COOL GREY/CRIMSON/BLUE OPTION	11-10-00-01	-035
EXTERIOR GRAPHIC-PACKAGE GERMAN	11-10-00-01	-046
EXTERIOR GRAPHIC-PACKAGE SWITZERLAND	11-10-00-01	-047
EXTERIOR GRAPHIC-PACKAGE SPAIN	11-10-00-01	-048
EXTERIOR GRAPHIC-PACKAGE COLUMBIA	11-10-00-01	-049
EXTERIOR GRAPHIC-PACKAGE AUSTRIA	11-10-00-01	-050
EXTERIOR GRAPHIC-PACKAGE SPECTRA RED/VIOLET BLUE/DARK BLUE (OPTION)	11-10-00-01	-088
EXTERIOR GRAPHIC-PACKAGE OPTION 1 RED/BLUE/GREEN	11-10-00-02	-001
EXTERIOR GRAPHIC-PACKAGE OPTION 2 RED/BLUE/YELLOW	11-10-00-02	-014
EXTERIOR GRAPHIC-PACKAGE OPTION 1 GREEN/YELLOW	11-10-00-03	-001
EXTERIOR GRAPHIC-PACKAGE OPTION 2 RED/BLUE	11-10-00-03	-016
EXTERIOR GRAPHIC-PACKAGE OPTION 3 AMERICAN FLAG EDITION	11-10-00-03	-032
EXTERIOR GRAPHICS	11-10-00-01	-
EXTERIOR GRAPHICS-PACKAGE GLOSS KIT RED, WINE,PURPLE (OPTION)	11-10-00-01	-150
EXTERIOR GRAPHICS-PACKAGE METALLIC BLUE YELLOW KIT	11-10-00-01	-163
EXTERIOR GRAPHICS-PACKAGE GLOSS KIT BLUE, GOLD RED OPTION	11-10-00-01	-176
EXTERIOR GRAPHICS-PACKAGE METALIC RED/SILVER MILL	11-10-00-01	-191
EXTERIOR GRAPHICS-PACKAGE OPTION 1 GREEN 172	11-10-00-04	-001
EXTERIOR GRAPHICS-PACKAGE OPTION 2 BLUE/RED	11-10-00-04	-014
EXTERIOR GRAPHICS-PACKAGE OPTION 1 BLUE	11-10-00-04	-027
EXTERIOR GRAPHICS-PACKAGE OPTION 2 RED	11-10-00-04	-036
EXTERIOR GRAPHICS-PACKAGE OPTION 1 RED/BLUE	11-10-00-05	-001
EXTERIOR GRAPHICS-PACKAGE OPTION 2 RED/TAN/BLACK	11-10-00-05	-011
EXTERIOR GRAPHICS-PACKAGE OPTION 1 RED/BLUE	11-10-00-05	-021
EXTERIOR GRAPHICS-PACKAGE OPTION 1 CHARCOAL/BRONZE	11-10-00-06	-001
EXTERIOR GRAPHICS-PACKAGE OPTION 2 BURGANDY/GOLD	11-10-00-06	-011
EXTERIOR GRAPHICS-PACKAGE OPTION 1 NAVY/CHARCOAL	11-10-00-06	-021
EXTERIOR GRAPHICS-PACKAGE OPTION 2 BURGUNDY/PEWTER	11-10-00-06	-031
EXTERIOR GRAPHICS-PACKAGE OPTION 1 DARK RED/BLACK	11-10-00-07	-001
EXTERIOR GRAPHICS-PACKAGE OPTION 2 PLUM/CHARCOAL	11-10-00-07	-009
EXTERIOR GRAPHICS-PACKAGE OPTION 1 BLACK/MEDIUM BLUE/SAGE	11-10-00-07	-017
EXTERIOR GRAPHICS-PACKAGE OPTION 2 CHARCOAL/BURGUNDY/BRONZE	11-10-00-07	-025

CESSNA AIRCRAFT COMPANY
MODEL 172 (SERIES 1996 AND ON)
 ILLUSTRATED PARTS CATALOG

NOMENCLATURE	CH SEC SUBJ FIG	ITEM
--------------	-----------------	------

E Continued

EXTERIOR GRAPHICS-PACKAGE OPTION 1 ROYAL BLUE/BLACK	11-10-00-08	-001
EXTERIOR GRAPHICS-PACKAGE OPTION 2 BURGUNDY/LIGHT CHARCOAL METALLIC	11-10-00-08	-008
EXTERIOR GRAPHICS-PACKAGE OPTION 1 DARK TUNDRA/SAGE	11-10-00-08	-015
EXTERIOR GRAPHICS-PACKAGE OPTION 2 DARK BLUE/PEWTER	11-10-00-08	-023
EXTERIOR GRAPHICS	11-10-00-09	-
EXTERIOR GRAPHICS 172	11-10-00-02	-
EXTERIOR STYLE-ALL OVER WHITE	11-10-00-06	-041

F

FAIRING-DORSAL	53-20-00-01	-326
FAIRING ASSY-LH MAIN LANDING GEAR	32-11-00-01	-001
FAIRING ASSY-LH WHEEL MAIN LANDING GEAR	32-11-00-01	-027
FAIRING ASSY-LH BRAKE	32-11-00-01	-046
FAIRING ASSY-WING REAR LOWER LH 172	57-00-00-01	-075
FAIRING LEADING EDGE-LH 172	55-10-00-01	-075
FAIRING LEADING EDGE-RH 172	55-10-00-01	-076
FIBERGLASS INSULATION-FIREWALL BKI	25-20-10-01	-085A
FILLET ASSY-LH WING	57-00-00-01	-080
FILTER ASSY-FUEL STRAINER	28-22-00-02	-004
FILTER-OIL	71-00-01-01	-003
FIN ASSY-VERTICAL STABILIZER INCLUDES TIP 172	55-30-00-01	-001
FIN ASSY-VERTICAL STABILIZER INCLUDES TIP 172	55-30-00-01	-001B
FIN CAP	55-30-00-01	-029
FIN INSTALLATION	55-30-00-01	-
FIRE EXTINGUISHER INSTALLATION	26-10-00-01	-
FIREWALL ASSEMBLY	53-10-01-01	-
FIREWALL ASSEMBLY	53-10-01-01A	-001
FIREWALL FUEL FITTING FSO 259-2240-6-8	28-21-00-01	-005
FIREWALL GROMMET INSTALLATION	53-10-01-02	-
FITTING-INLET	73-10-00-01	-004
FITTING ASSEMBLY-90 DEG	25-21-01-01A	-019B
FLAP CONTROLS INSTALLATION	27-50-00-01	-
FLAP INSTALLATION	57-50-00-01	-
FLAP POSITION INDICATOR INSTALLATION	27-50-00-02	-
FLASHING BEACON-WBA	33-43-00-01	-014
FLASHING BEACON LIGHT INSTALLATION	33-43-00-01	-
FLIGHT ENVIRONMENT INSTRUMENTS	34-10-00-01	-
FLIGHT HOURMETER INSTALLATION	31-30-00-01	-
FLOOD LIGHT PLACARD ASSY 172	11-N-31-01	-162
FLOOD LIGHT PLATE 172S	11-N-31-01	-163A
FLOORBOARD ASSY-LH FRONT 172	53-10-00-02	-001
FLOORBOARD ASSY 172	53-20-00-01	-150
FLOORBOARD ASSY 172S	53-20-00-01	-150A
FLOORBOARD ASSY 172 FSO 0512034-19	53-20-00-01	-150B
FLOORBOARD ASSY 172S FSO 0512034-19	53-20-00-01	-150C
FLOORBOARD ASSY-OBSERVER SEAT OPTION 172	53-20-00-01	-150D
FLOORBOARD ASSY-OBSERVER SEAT OPTION 172S	53-20-00-01	-150E
FLUX LABEL	11-N-25-01	-003
FOOT ASSY 172	25-21-00-01	-225
FORK-NOSE GEAR	32-20-01-01	-003
FORK-NOSE GEAR	32-20-01-01A	-003
FORWARD DOORPOST BULKHEAD ASSEMBLY	53-11-00-01	-
FRENCH EXTERIOR PLACARDS AND MARKINGS - COWLING	11-F-24-01	-
FRENCH EXTERIOR PLACARDS AND MARKINGS - FUSELAGE	11-F-22-01	-
FRENCH EXTERIOR PLACARDS AND MARKINGS - WINGS	11-F-25-01	-
FRENCH INTERIOR PLACARDS AND MARKINGS - CABIN	11-F-32-01	-
FRENCH INTERIOR PLACARDS AND MARKINGS - FLIGHT COMPARTMENT	11-F-31-01	-

CESSNA AIRCRAFT COMPANY
MODEL 172 (SERIES 1996 AND ON)
 ILLUSTRATED PARTS CATALOG

NOMENCLATURE	CH	SEC	SUBJ	FIG	ITEM
--------------	----	-----	------	-----	------

F Continued

FRONT AND CENTER SECTION ASSEMBLY-FUSELAGE	53-10-00-01	-
FUEL BAY STRUCTURE ASSEMBLY	57-10-02-01	-
FUEL FILLER CAP INSTALLATION	28-10-01-01	-
FUEL FLOW SYSTEM	73-30-00-01	-
FUEL INDICATING SYSTEM-SENDER	28-22-00-03	-
FUEL INJECTION SYSTEM.....	73-10-00-01	-
FUEL LEVEL SENDER-RH 172.....	28-22-00-03	-002D
FUEL LEVEL SENDER-LH 172	28-22-00-03	-002F
FUEL LEVEL SENSOR-LH AND RH 172 NAV III ONLY FSO S3100-583.....	28-22-00-03	-002H
FUEL MIXTURE CONTROL INSTALLATION	76-11-00-01	-
FUEL PUMP AUX (ELEC)	28-21-00-01	-029D
FUEL RESERVOIR ASSY 172.....	28-22-00-01	-001
FUEL RESERVOIR INSTALLATION	28-22-00-01	-
FUEL SAMPLER JAR ASSY 172.....	28-10-01-01	-028
FUEL SELECTOR VALVE ASSEMBLY	28-21-00-02	-
FUEL STRAINER ASSEMBLY	28-22-00-02	-
FUEL SYSTEM	28-21-00-01	-
FUSELAGE AFT SECTION ASSEMBLY.....	53-20-00-01	-
FUSELAGE ASSEMBLY.....	53-00-00-01	-
FUSELAGE FRONT SECTION STRUCTURE ASSEMBLY	53-10-00-02	-
FWD SHELF SUPPORT ASSY 172	34-40-00-01	-009

G

GASKET SENSOR-OIL TEMPERATURE.....	79-30-00-01	-017
GATS FUEL CUP 172.....	28-10-01-01	-030
GERMAN EXTERIOR PLACARDS AND MARKINGS - COWLING	11-D-24-01	-
GERMAN EXTERIOR PLACARDS AND MARKINGS - FUSELAGE	11-D-22-01	-
GERMAN EXTERIOR PLACARDS AND MARKINGS - WINGS.....	11-D-25-01	-
GERMAN INTERIOR PLACARDS AND MARKINGS - CABIN	11-D-32-01	-
GERMAN INTERIOR PLACARDS AND MARKINGS - CABIN DOORS.....	11-D-38-01	-
GERMAN INTERIOR PLACARDS AND MARKINGS - FLIGHT COMPARTMENT.....	11-D-31-01	-
GERMAN INTERIOR PLACARDS AND MARKINGS - SEATS.....	11-D-31-02	-
GLARESHIELD INSTALLATION	25-10-01-01	-
GLASS ASSY-CABIN DOOR WINDOW LH AND RH	56-30-00-01	-003
GLOBAL POSITIONING SYSTEM (GPS) INSTALLATION	34-51-00-01	-
GPS/VHF BLADE ANTENNA-LH 172	23-10-00-01	-001F
GROMMET-TACHOMETER SHAFT.....	53-10-01-02	-002
GROMMET-POLISHED OPTION-UNPOLISHED S2319-32.....	71-10-00-01	-096
GROUNDING STRAP.....	23-60-00-01	-002
GSA-81 TORQUE SERVO	22-10-00-02A	-001
GUARD-ROLL CHAIN	27-30-01-02	-011
GUIDE ASSY-RH CONTROL YOKE.....	53-10-00-02	-150
GYRO FILTER ASSY	37-10-00-04	-028

H

HANDLE-FUEL SELECTOR FSO 0716623-8 172S.....	28-21-00-01	-087A
HANDLE-LH CABIN DOOR 172	52-10-00-01	-029D
HANDLE-OUTSIDE DOOR 172.....	52-10-02-01	-004
HANDLE-ASSIST	53-10-02-01	-012
HANDLE ASSY 172 FSO CJ1022.....	25-10-00-02	-090
HANDLE ASSY-PARKING BRAKE	32-32-00-02	-013
HANDLE-LH-WINDOW LATCH FSO 1217063-11 172	56-30-00-01	-013
HANDLE-LH-WINDOW LATCH FSO 1217063-11 172S	56-30-00-01	-013A
HEADSET OPTION REPLACES 300048-100	23-51-00-01	-006
HEAT OUTLET-0501134-1 & 0501134-12 USED TOGETHER FOR ALT	21-40-00-01	-038

CESSNA AIRCRAFT COMPANY
MODEL 172 (SERIES 1996 AND ON)
 ILLUSTRATED PARTS CATALOG

NOMENCLATURE	CH	SEC	SUBJ	FIG	ITEM
--------------	----	-----	------	-----	------

H Continued

HEAT SINK	33-13-00-01A	-008
HINGE ASSY-STABILIZER 172	55-10-00-01	-030
HINGE ASSY-STABILIZER 172S	55-10-00-01	-030A
HORIZONTAL SITUATION INDICATOR (HSI) INSTALLATION	34-53-00-01	-
HORIZONTAL SITUATION INDICATOR (HSI)-FLUX DETECTOR	34-53-00-03	-
HORN-RUDDER	55-40-00-01	-024
HORN ASSY-STALL WARNING	27-31-00-01	-001
HORN ASSY-TRIM TAB	55-20-00-01	-110
HOURLY METER EI003	31-30-00-01	-001
HUB CAP-NOSE GEAR	32-20-00-01	-025

I

IDLER PLATE ASSY-PITCH TRIM 172 FSO 0501154-11	22-10-00-01	-164
IF REQUIRED, SHIM GAP BETWEEN BATTERY ANGLE AND BRACKET AS REQUIRED, USING STANDARD WASHERS, NAS1149 SERIES OR EQUIVALENT	24-34-00-02	-001
IGNITION SWITCH	74-00-00-01	-
INDICATOR-ELEVATOR TRIM 172 FSO 0713642-6	27-30-01-01	-007
INDICATOR-ELEVATOR TRIM 172S FSO 0713642-6	27-30-01-01	-007A
INDICATOR-ELEVATOR TRIM 172	27-30-01-01	-007B
INDICATOR-ELEVATOR TRIM 172S	27-30-01-01	-007C
INDICATOR-DUAL FUEL QUANTITY EI1011	28-22-00-03	-007
INDICATOR-TURN COORDINATOR/TURN AND BANK 172	34-10-00-01	-001
INDICATOR-ALTIMETER EI1010 172	34-11-00-01	-001B
INDICATOR-VERTICAL SPEED EI006	34-11-00-01	-010
INDICATOR-KI208 VOR NAV1/2 MOD 8 172	34-50-00-01	-005
INDICATOR-VOR KI208 NAV1 & NAV2 172S	34-50-00-01	-005C
INDICATOR KI209 USED WITH NAV1	34-50-00-01	-006
INDICATOR-ILS KI209A NAVII MOD 8 172	34-50-00-01	-007
INDICATOR-HORIZONTAL GYRO-ATTITUDE 172	37-10-00-04	-001
INDICATOR-DIRECTIONAL GYRO	37-10-00-04	-003
INDICATOR-SUCTION GAGE/AMMETER	37-10-00-04	-005
INDICATOR-HORIZONTAL GYRO 172	37-10-00-06	-001
INDICATOR-OIL TEMPERATURE & PRESSURE EI001	79-30-00-01	-013
INDICATOR-ADF KI227 USED WITH NAV 1 & NAV 2	34-50-01-01	-004
INDICATOR-FUEL FLOW & EXHAUST GAS TEMP. GAL. - GERMAN 172 EI1014	77-20-00-01	-001E
INDICATOR-FUEL FLOW & EXHAUST GAS TEMP. GAL. 172 EI1014	77-20-00-01	-001A
INDICATOR-FUEL FLOW & EXHAUST GAS TEMP. GAL. 172S EI1014	77-20-00-01	-001C
INDICATOR-TACHOMETER 172R EI005	77-40-00-01	-001
INDICATOR-TACHOMETER 172S & 172R AIRPLANES INCORPORATING MK172-72-01 EI005 ..	77-40-00-01	-001A
INDUCTION AIR INSTALLATION	71-60-00-01	-
INDUCTION FAIRING ASSY 172	71-10-00-01	-011B
INDUCTION FAIRING ASSY 172S	71-10-00-01	-011C
INFLATOR ASSEMBLY-COPILOT	25-10-03-01A	-014
INFLATOR ASSEMBLY-PILOT AND COPILOT	25-10-03-01A	-015A
INLET ADAPTER ASSY	71-60-00-01	-012
INSTRUMENT LIGHTING INSTALLATION	33-13-00-01	-
INSTRUMENT PANEL	34-10-00-01	-005
INSTRUMENT PANEL ASSEMBLY	31-00-00-01	-
INSTRUMENT PANEL ASSEMBLY-NAV III	31-00-00-01A	-
INSTRUMENT PANEL ASSY 172	53-22-00-01	-001B
INSTRUMENT PANEL LIGHT INSTALLATION	33-10-00-01	-
INSTRUMENT PANEL STRUCTURE	53-22-00-01	-
INSTRUMENT PANEL STRUCTURE-NAV III	53-22-00-01A	-
INSULATION INSTALLATION	25-80-00-02	-
INSULATION-BREATHING TUBE	25-70-00-01	-005
INSULATOR	33-13-00-01	-082
INTEGRATED AVIONICS INSTALLATION-NAV III	23-10-01-01	-

CESSNA AIRCRAFT COMPANY
MODEL 172 (SERIES 1996 AND ON)
 ILLUSTRATED PARTS CATALOG

NOMENCLATURE	CH SEC SUBJ FIG	ITEM
J		
JAMB-LOWER BAGGAGE DOOR	53-20-00-01	-104
JETFLEX CRICKET-ACCENT KYDEX	11-00-00-02	-002
JETFLEX EARTHSTONE-KYDEX, FRAME, HINGES, AND JAM.....	11-00-00-02	-001
JETFLEX MIRAGE-VINYL INSERT PANEL	11-00-00-02	-004
JETFLEX WHIPPORWHILL-FABRIC INSERT PANEL	11-00-00-02	-003
JOINT-UNIVERSAL	27-10-00-01	-030
K		
KA-96 GPS ANTENNA	34-51-00-01	-001A
KAP-140 AUTOPILOT-DUAL AXIS W/ COMP ALT 172S	22-10-00-01	-001F
KAP-140 AUTOPILOT-DUAL AXIS W/COMP ALT 172	22-10-00-01	-001G
KAP-140 AUTOPILOT-DUAL AXIS (MOD 5 & ON) 172S	22-10-00-01	-001H
KAP-140 AUTOPILOT-DUAL AXIS (MOD 5 & ON) 172	22-10-00-01	-001J
KAP-140 AUTOPILOT.....	22-10-00-01A	-001
KC-140 AUTOPILOT-SINGLE AXIS 172.....	22-10-00-01	-001
KEY ASSY	52-10-00-01	-024
KEY BLANK MILLENNIUM & SPARES	52-30-00-01	-010A
KMD-540 DATA CARD 172	23-20-00-01	-002
KMD-540 MFD 172	23-20-00-01	-001
KNOB-CONTROL LEVER	27-50-00-02	-097
KNOB-DIMMER.....	33-13-00-01	-075
KNOB ASSY-STATIC SOURCE.....	34-11-00-01	-078
KS-270C PITCH SERVO 172S	22-10-00-01	-075
KS-272C PITCH TRIM SERVO 172S	22-10-00-01	-150
KS-272C PITCH TRIM SERVO REF 065-00180-0400 MOD 3 & ON 172	22-10-00-01	-150A
KS-272C PITCH TRIM SERVO REF 065-00180-0400 MOD 3 & ON 172S.....	22-10-00-01	-150B
KS-272C PITCH TRIM SERVO REF 065-00180-0400 MOD 5 & ON 172	22-10-00-01	-150C
KS-272C PITCH TRIM SERVO REF 065-00180-0400 MOD 5 & ON 172S.....	22-10-00-01	-150D
KS-272C PITCH TRIM SERVO REF 065-00180-0400 MOD 7 & ON 172	22-10-00-01	-150E
KS-272C PITCH TRIM SERVO REF 065-00180-0400 MOD 7 & ON 172S.....	22-10-00-01	-150F
L		
LANDING AND TAXI LIGHT INSTALLATION	33-40-00-01	-
LANDING GEAR ASSY-LH 172.....	32-10-00-01	-006
LANYARD-FUEL CAP 172	28-10-01-01	-023
LANYARD-FUEL CAP 172	28-10-01-01	-023B
LATCH ASSY-CABIN DOOR 172	52-10-02-01	-001
LATCH ASSY-BAGGAGE DOOR	52-30-00-01	-009
LATCH ASSY-WINDOW LH FSO 1217066-5 172	56-30-00-01	-009
LATCH ASSY-MAP CASE	25-10-02-01	-009
LEADING EDGE ASSEMBLY - INBOARD WING.....	57-40-00-01	-
LEADING EDGE ASSEMBLY - OUTBOARD WING	57-40-00-02	-
LEADING EDGE ASSEMBLY - OUTBOARD WING	57-40-00-03	-
LED GLARESHIELD PANEL	33-10-01-02	-009
LED GROUND RECOGNITION LIGHT 28V.....	33-43-00-02	-004
LED GROUND RECOGNITION LIGHT	33-43-00-02	-
LED PANEL INSTALLATION	33-10-02-01	-
LENS ASSY 172	33-10-00-01	-005
LIGHT ASSY FC003 172	33-11-01-01	-013
LIGHT BAR ASSY-FLIGHT INSTRUMENTS	33-13-00-01	-001
LIGHT BULB ASSY-ENGINE INSTRUMENTS.....	33-13-00-01	-002
LIGHT STRIP 172	33-10-00-01	-013
LIGHTING - NAVIGATION WING AND TAIL.....	33-40-00-02	-
LIGHTING INVERTER UI001 FSO 6900173-000.....	33-10-00-01	-019
LINE ASSY-BRAKE	32-32-00-01	-017

CESSNA AIRCRAFT COMPANY
MODEL 172 (SERIES 1996 AND ON)
 ILLUSTRATED PARTS CATALOG

NOMENCLATURE	CH SEC SUBJ FIG	ITEM
--------------	-----------------	------

L Continued

LOCK ASSY-DOOR	52-10-00-01	-023
LOCK ASSY-BAGGAGE DOOR	52-30-00-01	-010
LOCK COLLAR AND SUPPORT RH.	27-70-00-01	-004
LOWER BACK PLATE ASSY-LH 172	52-10-00-01	-115

M

MAGNETO WBA	24-61-00-01	-043
MAIN ASSY-ME406 ELT 172 FSO S3100-496	25-60-00-03	-001
MAIN ASSY-ME406 ELT 172S FSO S3100-496	25-60-00-03	-001A
MAIN ASSY-ME406 ELT 172 FSO S3100-565 REF 453-6603 (REV D ONLY)	25-60-00-03	-001B
MAIN ASSY-ME406 ELT 172S FSO S3100-565 REF 453-6603 (REV D ONLY)	25-60-00-03	-001C
MAIN ASSY-ME406 ELT 172	25-60-00-03	-001D
MAIN ASSY-ME406 ELT 172S	25-60-00-03	-001E
MAIN LANDING GEAR BULKHEAD ASSEMBLY	53-11-00-03	-
MAIN LANDING GEAR FAIRINGS OPTIONAL	32-11-00-01	-
MAIN LANDING GEAR INSTALLATION	32-10-00-01	-
MAP CASE ASSY-REMOVABLE 172	25-10-02-01	-001
MAP CASE ASSY-REMOVABLE 172S	25-10-02-01	-001A
MAP CASE ASSY-REMOVABLE 172	25-10-02-01	-001B
MAP CASE ASSY-REMOVABLE 172S	25-10-02-01	-001C
MAPLIGHT-CONTROL WHEEL	33-10-00-02	-
MARKER BEACON ANTENNA	23-50-00-01	-005
MASTER BRAKE CYLINDER ASSEMBLY	32-32-01-01	-
MASTER CONTROL UNIT 172	24-60-00-01	-001
MASTER CONTROL UNIT 172 FSO S3100-606	24-60-00-01	-001A
MASTER CONTROL UNIT 172S FSO S3100-606	24-60-00-01	-001B
MASTER CONTROL UNIT 172 FSO S3100-606	24-60-00-01	-001C
MASTER CONTROL UNIT 172S FSO S3100-606	24-60-00-01	-001D
MASTER CONTROL UNIT REF MC01-2A(MOD IC7) 172 FSO S3100-606	24-60-00-01	-001E
MASTER CONTROL UNIT REF MC01-2A(MOD IC7) 172S FSO S3100-606	24-60-00-01	-001F
MASTER CONTROL UNIT REF MC01-3A(MOD IC7 & IC8) 172 FSO S3100-594	24-60-00-01	-001G
MASTER CONTROL UNIT REF MC01-3A(MOD IC7 & IC8) 172S FSO S3100-594	24-60-00-01	-001H
MASTER CONTROL UNIT REF MC01-3A(MOD IC9) 172 FSO 3100-594	24-60-00-01	-001J
MASTER CONTROL UNIT REF MC01-3A(MOD IC9) 172S FSO 3100-594	24-60-00-01	-001K
MASTER CONTROL UNIT REF MC01-3A(MOD IC10) 172 FSO 3100-594	24-60-00-01	-001L
MASTER CONTROL UNIT REF MC01-3A(MOD IC10) 172S FSO 3100-594	24-60-00-01	-001M
MASTER CONTROL UNIT REF MC01-3A(MOD IC11) 172 FSO 3100-594	24-60-00-01	-001N
MASTER CONTROL UNIT REF MC01-3A(MOD IC11) 172S FSO 3100-594	24-60-00-01	-001P
MASTER CONTROL UNIT REF MC01-3A (MOD IC12 & IC13) 172 FSO S3100-594	24-60-00-01	-001Q
MASTER CONTROL UNIT REF MC01-3A (MOD IC12 & IC13) 172S FSO S3100-594	24-60-00-01	-001R
MEXICAN INTERIOR PLACARDS AND MARKINGS - SEATS	11-XA-31-01	-
MICROPHONE & HEADSET INSTALLATION	23-51-00-01	-
MOLDED HEADLINER-SKYLIGHT UPHOLSTERY FSO 0519091-203	56-60-00-01	-001
MOLDED HEADLINER-SKYLIGHT UPHOLSTERY	56-60-00-01	-001A
MOLDED HEADLINER-SKYLIGHT UPHOLSTERY	56-60-00-01	-001B
MOLDING ASSY-BAGGAGE DOOR FRAME	25-20-10-01	-013
MOLDING ASSY-BAGGAGE 172	25-20-10-02	-034
MOULDING-STABILIZER 172	55-10-00-01	-036
MUFFLER ASSY 172S	78-10-00-01	-002E
MULTIFUNCTION DISPLAY (MFD) UNIT INSTALLATION	34-52-00-01	-
MULTIFUNCTION DISPLAY INSTALLATION	23-20-00-01	-

N

NAMEPLATE 172R	11-N-38-01	-005
NAMEPLATE 172S	11-N-38-01	-005A

CESSNA AIRCRAFT COMPANY
MODEL 172 (SERIES 1996 AND ON)
 ILLUSTRATED PARTS CATALOG

NOMENCLATURE	CH	SEC	SUBJ	FIG	ITEM
--------------	----	-----	------	-----	------

N Continued

NOSE GEAR FAIRING INSTALLATION	32-21-00-01	-
NOSE GEAR INSTALLATION	32-20-00-01	-
NOSE GEAR SHOCK STRUT ASSEMBLY	32-20-01-01	-
NOSE GEAR SHOCK STRUT ASSEMBLY	32-20-01-01A	-
NOSE GEAR STEERING TUBE ASSEMBLY	32-50-00-01	-
NOZZLE ASSY-LH DEFROSTER	21-40-00-01	-018

O

O-RING-INLET SCREEN	73-10-00-01	-002
OBSERVER SEAT ASSY-FABRIC 172	25-10-00-05	-001
OBSERVER SEAT ASSY-LEATHER 172	25-10-00-05	-002
OBSERVER SEAT INSTALLATION - OPTIONAL	25-10-00-05	-
OFFSET PLATE-LH 172	33-10-00-01	-015
OIL COOLER 172S	79-20-00-01	-001B
OIL COOLER INSTALLATION	79-20-00-01	-
OIL INDICATING SYSTEM	79-30-00-01	-
OVERHEAD CONSOLE INSTALLATION	25-20-10-04	-
OVERHEAD LED	33-11-01-02	-001
OVERHEAD LED	33-11-01-03	-001
OVERHEAD LIGHTING INSTALLATION	33-11-01-01	-
OVERHEAD LIGHTING INSTALLATION-LED	33-11-01-02	-
OVERHEAD LIGHTING INSTALLATION-LED	33-11-01-03	-

P

PAD	25-80-00-01	-076
PANEL-LH DOOR 172	25-20-00-01	-011
PANEL ASSEMBLY-AVIONICS CIRCUIT BREAKER NAV 2 172	24-61-00-04	-003
PANEL ASSEMBLY-AVIONICS CIRCUIT BREAKER NAV 2 172S	24-61-00-04	-003A
PANEL ASSEMBLY-AVIONICS CIRCUIT BREAKER NAV 2 W/HSI/MFD	24-61-00-11	-003
PANEL ASSEMBLY-AVIONICS CIRCUIT BREAKER NAV 2 W/MFD	24-61-00-08	-003
PANEL ASSEMBLY-AVIONICS CIRCUIT BREAKER STANDARD 172	24-61-00-02	-077
PANEL ASSEMBLY-AVIONICS CIRCUIT BREAKER STANDARD 172S	24-61-00-02	-077A
PANEL ASSY-AVIONICS CIRCUIT BREAKER NAV 2 172	24-61-00-04	-077
PANEL ASSY-AVIONICS CIRCUIT BREAKER NAV 2 172S	24-61-00-04	-077A
PANEL ASSY-BAGGAGE COMPARTMENT	25-20-10-01	-003
PANEL ASSY-BAGGAGE COMPARTMENT FSO 0515015-18 172	25-20-10-02	-005
PANEL ASSY-BAGGAGE COMPARTMENT FSO 0515015-18 172S	25-20-10-02	-006
PANEL ASSY-BAGGAGE COMPARTMENT 172	25-20-10-02	-007
PANEL ASSY-BAGGAGE COMPARTMENT 172S	25-20-10-02	-008
PANEL ASSY-PILOT OUTBOARD 172	31-00-00-01	-001
PANEL ASSY-PILOT CENTER	31-00-00-01	-005
PANEL ASSY-PILOT INBOARD 172	31-00-00-01	-012
PANEL ASSY-COPILOT W/HSI/ADF 172	31-00-00-01	-075
PANEL ASSY-COPILOT 172	31-00-00-01	-076
PANEL ASSY-COPILOT NAV II W/A/H 172	31-00-00-01	-077
PANEL ASSY-COPILOT NAV II W/H/M 172	31-00-00-01	-078
PANEL ASSY-COPILOT NAV II W/MFD/ADF 172	31-00-00-01	-079
PANEL ASSY-COPILOT NAV II W/O ADF 172	31-00-00-01	-080
PANEL ASSY-COPILOT 172	31-00-00-01	-082
PANEL ASSY-COPILOT W/ELT	31-00-00-01	-083A
PANEL ASSY-AVIONICS CIRCUIT BREAKER NAV 2 W/ADF/MFD	24-61-00-09	-003
PANEL ASSY-AVIONICS CIRCUIT BREAKER NAV 2 W/HSI/ADF/MFD	24-61-00-10	-003
PANEL ASSY-AVIONICS CIRCUIT BREAKER STANDARD 172	24-61-00-02	-003
PANEL ASSY-AVIONICS CIRCUIT BREAKER STANDARD 172S	24-61-00-02	-003A
PANEL ASSY-CIRCUIT BREAKER REPLACES 0518003-2 172	24-61-00-01	-001

CESSNA AIRCRAFT COMPANY
MODEL 172 (SERIES 1996 AND ON)
 ILLUSTRATED PARTS CATALOG

NOMENCLATURE	CH	SEC	SUBJ	FIG	ITEM
--------------	----	-----	------	-----	------

P Continued

PANEL ASSY-STATIONARY CONTROL	53-22-00-01				-017
PANEL-RH DOOR 172	25-20-00-02				-010
PARKING BRAKE INSTALLATION	32-32-00-02				-
PEDAL-BRAKE & RUDDER	27-21-00-01				-001
PISTON ASSEMBLY 172	32-20-02-01				-011
PISTON ASSEMBLY 172S	32-20-02-01				-011A
PITOT AND STATIC SYSTEM	34-11-00-01				-
PITOT TUBE ASSY-HEATED	34-11-00-01				-039
PLACARD-FUEL CAPACITY 172 FSO S4004-3	11-C-25-01				-001
PLACARD-FUEL CAPACITY 172S FSO S4004-3	11-C-25-01				-002
PLACARD-BAGGAGE CAPACITY 172R	11-D-22-01				-001
PLACARD-BAGGAGE CAPACITY 172S	11-D-22-01				-002
PLACARD-BATTERY BOX 172R	11-D-24-01				-002
PLACARD-BATTERY BOX 172S	11-D-24-01				-002A
PLACARD-ELECTRICAL 172S	11-D-24-01				-002B
PLACARD-AVGAS 172R	11-D-25-01				-001
PLACARD-AVGAS 172S	11-D-25-01				-001A
PLACARD-FUEL CAPACITY 172R	11-D-25-01				-002
PLACARD-FUEL CAPACITY 172S	11-D-25-01				-002A
PLACARD-OPERATING LIMITS DAY NIGHT VFR IFR 172	11-D-31-01				-001
PLACARD-OPERATING LIMITS DAY NIGHT VFR IFR 172S	11-D-31-01				-001A
PLACARD-OPERATING LIMITS DAY NIGHT VFR 172	11-D-31-01				-002
PLACARD-OPERATING LIMITS DAY NIGHT VFR 172S	11-D-31-01				-002A
PLACARD-OPERATING LIMITS DAY VFR 172	11-D-31-01				-003
PLACARD-OPERATING LIMITS DAY VFR 172S	11-D-31-01				-003A
PLACARD-FUEL SELECTOR 172	11-D-31-01				-004
PLACARD-FUEL SELECTOR 172S	11-D-31-01				-004A
PLACARD-MANEUVERING SPEED NAV III 172	11-D-31-01				-005
PLACARD-MANEUVERING SPEED NAV III 172S	11-D-31-01				-006
PLACARD-WARNINGS 172R	11-D-31-01				-075
PLACARD-WARNINGS 172S	11-D-31-01				-075A
PLACARD-FLAPS 172R	11-D-31-01				-076
PLACARD-FLAPS 172S	11-D-31-01				-076A
PLACARD-FWD SEAT ONLY 172	11-D-31-02				-001
PLACARD-FWD SEAT ONLY 172S	11-D-31-02				-001A
PLACARD-ELT 172	11-D-32-01				-001
PLACARD-ELT 172S	11-D-32-01				-001A
PLACARD-LH DOOR OPEN CLOSE LOCK 172R	11-D-38-01				-001
PLACARD-LH DOOR OPEN CLOSE LOCK 172S	11-D-38-01				-001A
PLACARD-RH DOOR OPEN CLOSE LOCK 172R	11-D-38-01				-002
PLACARD-RH DOOR OPEN CLOSE LOCK 172S	11-D-38-01				-002A
PLACARD-BAGGAGE CAPACITY 172R	11-F-22-01				-001
PLACARD-BAGGAGE CAPACITY 172S	11-F-22-01				-002
PLACARD-BATTERY BOX 172R	11-F-24-01				-001
PLACARD-BATTERY BOX 172S	11-F-24-01				-002
PLACARD-ELECTRICAL 172S	11-F-24-01				-002A
PLACARD-FUEL CAPACITY 172R	11-F-25-01				-001
PLACARD-FUEL CAPACITY 172S	11-F-25-01				-002
PLACARD-OPERATION LIMITS DAY NIGHT VFR IFR 172	11-F-31-01				-001
PLACARD-OPERATION LIMITS DAY NIGHT VFR IFR 172S	11-F-31-01				-001A
PLACARD-OPERATION LIMITS DAY NIGHT VFR 172	11-F-31-01				-002
PLACARD-OPERATION LIMITS DAY NIGHT VFR 172S	11-F-31-01				-002A
PLACARD-OPERATION LIMITS DAY VFR 172	11-F-31-01				-003
PLACARD-OPERATION LIMITS DAY VFR 172S	11-F-31-01				-003A
PLACARD-FUEL SELECTOR 172	11-F-31-01				-004
PLACARD-FUEL SELECTOR 172S	11-F-31-01				-004A
PLACARD-FUEL SELECTOR 172 FSO 0505095-13	11-F-31-01				-004B
PLACARD-FUEL SELECTOR 172S FSO 0505095-13	11-F-31-01				-004C
PLACARD-MANEUVERING SPEED 172	11-F-31-01				-005
PLACARD-MANEUVERING SPEED 172 NAV III	11-F-31-01				-005A

CESSNA AIRCRAFT COMPANY
MODEL 172 (SERIES 1996 AND ON)
 ILLUSTRATED PARTS CATALOG

NOMENCLATURE

CH SEC SUBJ FIG ITEM

P Continued

PLACARD-ELT 172 FSO 1205085-12.....	11-F-32-01	-001
PLACARD-ELT 172S FSO 1205085-12.....	11-F-32-01	-001A
PLACARD-BAGGAGE CAPACITY 172R FSO S4191-1.....	11-LQ-22-01	-001
PLACARD-BAGGAGE CAPACITY 172R.....	11-LQ-22-01	-001A
PLACARD-BAGGAGE CAPACITY 172S.....	11-LQ-22-01	-001B
PLACARD-ENGINE OIL 172.....	11-LQ-24-01	-001
PLACARD-ENGINE OIL 172S.....	11-LQ-24-01	-001A
PLACARD-BATTERY BOX 172 FSO S4193-3.....	11-LQ-24-01	-002D
PLACARD-ELECTRICAL 172S.....	11-LQ-24-01	-002F
PLACARD-AVGAS 172R.....	11-LQ-25-01	-001
PLACARD-AVGAS 172S.....	11-LQ-25-01	-001A
PLACARD-FUEL CAPACITY 172R FSO S4190-1.....	11-LQ-25-01	-002
PLACARD-FUEL CAPACITY 172R.....	11-LQ-25-01	-002A
PLACARD-FUEL CAPACITY 172S.....	11-LQ-25-01	-002B
PLACARD-FWD SEAT 172R.....	11-LQ-31-01	-001
PLACARD-ELT 172 FSO S4194-1.....	11-LQ-32-01	-001
PLACARD-ELT 172.....	11-LQ-32-01	-001C
PLACARD-INSTRUMENT PANEL 172.....	11-LQ-32-01	-002
PLACARD-INSTRUMENT PANEL 172S.....	11-LQ-32-01	-002A
PLACARD-LH DOOR OPEN CLOSE LOCK 172R.....	11-LQ-38-01	-001
PLACARD-RH DOOR OPEN CLOSE LOCK 172R.....	11-LQ-38-01	-002
PLACARD-BAGGAGE CAPACITY 172 FSO 0505043-3.....	11-N-22-01	-001
PLACARD-BAGGAGE CAPACITY 172.....	11-N-22-01	-001A
PLACARD-ENGINE OIL.....	11-N-24-01	-001
PLACARD-BATTERY BOX.....	11-N-24-01	-002
PLACARD-AVGAS 172 FSO S4003-1.....	11-N-25-01	-001
PLACARD-FUEL CAPACITY 172.....	11-N-25-01	-002
PLACARD-FUEL CAPACITY 172S.....	11-N-25-01	-002A
PLACARD-FUEL CAPACITY 172 FSO S4004-3.....	11-N-25-01	-002B
PLACARD-FUEL CAPACITY 172S FSO S4004-3.....	11-N-25-01	-002C
PLACARD-NOSE GEAR SHOCK STRUT.....	11-N-27-01	-001
PLACARD-COMPASS CORRECTION 172R.....	11-N-31-01	-001
PLACARD-COMPASS CORRECTION 172S.....	11-N-31-01	-001A
PLACARD-COMPASS CORRECTION 172R.....	11-N-31-01	-002
PLACARD-COMPASS CORRECTION 172S.....	11-N-31-01	-002A
PLACARD-COMPASS CORRECTION 172R.....	11-N-31-01	-003
PLACARD-COMPASS CORRECTION 172S.....	11-N-31-01	-003A
PLACARD-COMPASS CORRECTION 172R.....	11-N-31-01	-004
PLACARD-COMPASS CORRECTION 172S.....	11-N-31-01	-004A
PLACARD-NAV COM 1 172R.....	11-N-31-01	-005
PLACARD-NAV COM 1 172S.....	11-N-31-01	-005A
PLACARD-NAV COM 2 172R.....	11-N-31-01	-006
PLACARD-NAV COM 2 172S.....	11-N-31-01	-006A
PLACARD-GPS 172R.....	11-N-31-01	-007
PLACARD-GPS 172S.....	11-N-31-01	-007A
PLACARD-RADIO CALL.....	11-N-31-01	-008
PLACARD-MANEUVERING SPEED.....	11-N-31-01	-009
PLACARD-MAP LIGHT DIM.....	11-N-31-01	-010
PLACARD-FUEL SELECTOR.....	11-N-31-01	-011
PLACARD-OPERATION LIMITS 172R.....	11-N-31-01	-075
PLACARD-OPERATION LIMITS 172R.....	11-N-31-01	-075A
PLACARD-OPERATION LIMITS 172S.....	11-N-31-01	-075B
PLACARD-CONFIGURATION MODULE 172R.....	11-N-31-01	-076
PLACARD-CONFIGURATION MODULE 172S.....	11-N-31-01	-076A
PLACARD-FWD SEAT ONLY.....	11-N-31-02	-001
PLACARD-OBSERVER SEAT OPTION 172.....	11-N-31-02	-002
PLACARD-OBSERVER SEAT OPTION 172S.....	11-N-31-02	-003
PLACARD-ELT 172 FSO 1205085-1.....	11-N-32-01	-001
PLACARD-ELT 172 FSO 1205085-11.....	11-N-32-01	-002
PLACARD-ELT 172S FSO 1205085-11.....	11-N-32-01	-002A

CESSNA AIRCRAFT COMPANY
MODEL 172 (SERIES 1996 AND ON)
 ILLUSTRATED PARTS CATALOG

NOMENCLATURE	CH	SEC	SUBJ	FIG	ITEM
--------------	----	-----	------	-----	------

P Continued

PLACARD-LH DOOR OPEN CLOSE LOCK 172R	11-N-38-01				-001
PLACARD-LH DOOR OPEN CLOSE LOCK 172S	11-N-38-01				-001A
PLACARD-RH DOOR OPEN CLOSE LOCK 172R	11-N-38-01				-002
PLACARD-RH DOOR OPEN CLOSE LOCK 172S	11-N-38-01				-002A
PLACARD-BAGGAGE CAPACITY 172R	11-PP-22-01				-001
PLACARD-BAGGAGE CAPACITY 172S	11-PP-22-01				-001A
PLACARD-CARGO NET 172R	11-PP-22-01				-002
PLACARD-CARGO NET 172S	11-PP-22-01				-002A
PLACARD-BATTERY BOX 172R	11-PP-24-01				-001
PLACARD-BATTERY BOX 172S	11-PP-24-01				-002
PLACARD-AVGAS 172R	11-PP-25-01				-001
PLACARD-AVGAS 172R	11-PP-25-01				-001A
PLACARD-FUEL CAPACITY 172R	11-PP-25-01				-002
PLACARD-FUEL CAPACITY 172S	11-PP-25-01				-002A
PLACARD-FWD SEAT ONLY 172R	11-PP-31-01				-001
PLACARD-FWD SEAT ONLY 172S	11-PP-31-01				-001A
PLACARD-ELT 172	11-PP-32-01				-001
PLACARD-ELT 172S	11-PP-32-01				-001A
PLACARD-ELT 172	11-PP-32-01				-001B
PLACARD-ELT 172S	11-PP-32-01				-001C
PLACARD-LH DOOR OPEN CLOSE LOCK 172R	11-PP-38-01				-001
PLACARD-LH DOOR OPEN CLOSE LOCK 172S	11-PP-38-01				-001A
PLACARD-RH DOOR OPEN CLOSE LOCK 172R	11-PP-38-01				-002
PLACARD-RH DOOR OPEN CLOSE LOCK 172S	11-PP-38-01				-002A
PLACARD-FWD SEAT ONLY 172R	11-XA-31-01				-001
PLACARD-FWD SEAT ONLY 172S	11-XA-31-01				-001A
PLACARD ASSY-EXIT 172	11-RA-28-01				-001
PLACARD ASSY-EXIT 172S	11-RA-28-01				-002
PLACARD LOCATION	11-00-00-01				-
PLACARD-ENGINE OIL 172R	11-D-24-01				-001
PLACARD-ENGINE OIL 172S	11-D-24-01				-001A
PLATE-FINISH & TRIM	11-N-38-01				-003
PLENUM CAP ASSY-LH AND RH 172	21-20-00-01				-003B
PLUG BUTTON	57-00-00-01				-090
POCKET UPHOLSTERY ASSY-FABRIC 172	25-10-00-01				-075
POTENTIOMETER	33-11-01-02				-002
POTENTIOMETER	33-11-01-03				-002
POWER CONVERTER ASSY 172	24-60-01-01				-001
POWER CONVERTER ASSY 172S	24-60-01-01				-001A
POWER CONVERTER ASSY-NAV III 172	24-60-01-01				-001B
POWER CONVERTER ASSY-NAV III 172S	24-60-01-01				-001C
POWER CONVERTER ASSY-NAV III 172	24-60-01-01				-001D
POWER CONVERTER ASSY-NAV III 172S	24-60-01-01				-001E
POWER JUNCTION BOX INSTALLATION	24-60-00-01				-
PROBE-CHT NAV III 172	77-20-00-01				-008
PROBE-CHT NAV III 172S	77-20-00-01				-008A
PROBE-EGT UN005 172	77-20-00-01				-003
PROBE-EGT UN005 172S	77-20-00-01				-003A
PROPELLER AND SPINNER INSTALLATION	61-10-00-01				-
PUMP-VACUUM 172 FSO AA215CC	37-10-00-01				-019
PUMP-VACUUM 172 FSO AA216CW	37-10-00-01				-020
PUMP-VACUUM 172 FSO AA215CC	37-10-00-02				-024B
PUMP-VACUUM 172	37-10-00-03				-019D
PUMP-VACUUM 172	37-10-00-03				-020D

R

READING LIGHT ASSY FC005 172	33-11-01-01				-001B
------------------------------------	-------------	--	--	--	-------

CESSNA AIRCRAFT COMPANY
MODEL 172 (SERIES 1996 AND ON)
 ILLUSTRATED PARTS CATALOG

NOMENCLATURE	CH	SEC	SUBJ	FIG	ITEM
--------------	----	-----	------	-----	------

R Continued

REAR DOORPOST BULKHEAD ASSEMBLY	53-11-00-02	-
RECEIVER-ADF KR87 172	34-50-01-02	-001
RECEIVER-ADF KR87 172	34-50-01-01	-001
RECEIVER-ADF KR87 172S	34-50-01-01	-001A
RECEIVER/CONTROL-KX155A W/O GLIDESLOPE MOD 8 172S	34-50-00-01	-001A
RECEIVER/CONTROL-KX155A W/O GLDESLP 172S	34-50-00-01	-001C
RECEIVER/CONTROL-KX155A W/O GLIDESLOPE 172	34-50-00-01	-001E
RECEIVER/CONTROL-KX155A NAV/COM 172	34-50-00-01	-002D
REEL COVER PLATE 172 FSO 0519018-4	25-20-10-04	-011D
REINFORCEMENT-FIREWALL ASSY	53-10-01-01A	-004
REMOTE SWITCH-ELT	25-60-00-02	-016
RESTRAINT SYSTEM INSTALLATION - AFT BENCH SEAT	25-21-01-01	-
RESTRAINT SYSTEM INSTALLATION - PILOT AND COPILOT	25-10-03-01	-
RESTRAINT SYSTEM MANUAL ADJUST-LH & RH	25-21-01-01	-002
RESTRAINT SYSTEM-LH 172 FSO 504516-403-8013	25-21-01-01	-001
RESTRAINT SYSTEM-LH & RH 172	25-21-01-01	-001D
RH SWITCH PANEL - WITH ENHANCED VISION SYSTEM INSTALLED	31-10-00-02	-
RHEOSTAT-MAPLIGHT R1	33-10-00-02	-003
ROD ASSY-FLAP PUSH PULL	27-50-00-01	-009
ROD ASSY-LH 172	32-50-00-01	-007
ROLL SERVO C172-KS271C 172	22-10-00-01	-225
ROLL SERVO C172-KS271C 172S	22-10-00-01	-225A
ROLL SERVO C172-KS271C-MOD 4 & ON 172	22-10-00-01	-225B
ROLL SERVO C172-KS271C-MOD 4 & ON 172S	22-10-00-01	-225C
ROLL SERVO INSTALLATION	22-10-00-02	-
ROLL SERVO INSTALLATION	22-10-00-02A	-
ROMANIAN EXTERIOR PLACARDS AND MARKINGS - COWLING	11-YR-24-01	-
ROMANIAN EXTERIOR PLACARDS AND MARKINGS - LANDING GEAR	11-YR-27-01	-
ROMANIAN EXTERIOR PLACARDS AND MARKINGS - WINGS	11-YR-25-01	-
ROMANIAN INTERIOR PLACARDS AND MARKINGS - AFT BAGGAGE	11-YR-33-01	-
RUDDER ASSEMBLY	55-40-00-01	-
RUDDER CONTROL SYSTEM	27-20-00-01	-
RUDDER PEDALS INSTALLATION	27-21-00-01	-
RUDDER TIP-LOWER 172 FSO 9910100-2	55-40-00-01	-025
RUDDER TIP-UPPER 172 FSO 9910100-6	55-40-00-01	-030
RUDDER TIP-UPPER 172	55-40-00-01	-030B
RUSSIAN EXTERIOR PLACARDS AND MARKINGS - CABIN DOOR	11-RA-28-01	-

S

SCOOP PLATE-STALL WARNING	27-31-00-01	-011
SCRAPER-FAIRING	32-11-00-01	-033
SCRAPER	32-21-00-01	-012
SCREW	55-10-00-01	-077
SCUFF PLATE	52-30-00-01	-019
SEAL-LOWER BAFFLE 172 FSO 0555250-17	71-11-00-01	-166
SEAT ASSEMBLY - PILOT AND COPILOT	25-10-00-02	-
SEAT BACK ASSY 172 FSO 0514215-15	25-10-00-02	-028
SEAT BACK ASSY 172 FSO 0519064-1	25-21-00-01	-229
SEAT BACK ASSY 172	25-21-00-01	-229D
SEAT BACK WELD ASSY 172 FSO 0514222-16	25-21-00-01	-235
SEAT BASE ASSY 172S	25-10-00-03	-076C
SEAT BASE ASSY 172	25-21-00-01	-155B
SEAT FOOT ASSY-AFT	25-10-00-04	-002
SEAT FOOT ASSY-FWD	25-10-00-04	-014
SEAT FRAME ASSY 172	25-10-00-02	-002
SEAT FRAME ASSY	25-10-00-04	-001
SEAT FRAME ASSY 172	25-21-00-01	-150

CESSNA AIRCRAFT COMPANY
MODEL 172 (SERIES 1996 AND ON)
 ILLUSTRATED PARTS CATALOG

NOMENCLATURE	CH SEC SUBJ FIG	ITEM
S Continued		
SEAT UPHOLSTERY ASSY-AFT FABRIC 172	25-21-00-01	-003
SEAT UPHOLSTERY ASSY-AFT LEATHER 172	25-21-00-01	-004
SEAT UPHOLSTERY ASSY FABRIC-PILOT 172	25-10-00-01	-001
SELECTOR VALVE ASSY	34-11-00-01	-075
SENSOR-OIL PRESSURE (HOBBS SWITCH) SN001 172	79-30-00-01	-015
SENSOR-OIL TEMPERATURE UN004	79-30-00-01	-016
SERVICE DOORS	52-40-00-01	-
SERVICE DOORS	52-40-00-02	-
SERVO BRACKET ASSY	22-10-00-02	-022
SERVO MOUNT	22-10-00-01	-154
SERVO-FUEL INJECTION	73-10-00-01	-001
SHEEPSKIN SLIPCOVERS-CREW SEATS	25-12-00-01	-
SHELF-RADIO 172	53-20-00-01	-248
SHIELD HALF- REPLACES S2550-17 ALSO NEED S2550-12	77-40-00-01	-005
SHIMMY DAMPENER INSTALLATION	32-20-02-01	-
SHOCK MOUNT ASSY-COWL	53-10-01-01	-012
SHOCK MOUNT ASSY-COWL	53-10-01-01	-012A
SHOCK MOUNT KIT-LOWER RH & UPPER LH	71-20-00-01	-018
SHOCK MOUNT KIT-LOWER LH & UPPER RH	71-20-00-01	-019
SHOCK MOUNT KIT-LOWER RH & UPPER LH	71-20-00-02	-014
SHOCK MOUNT KIT-LOWER LH & UPPER RH	71-20-00-02	-015
SHOCK MOUNT KIT-LOWER RH & UPPER LH	71-20-00-03	-014
SHOCK MOUNT KIT-LOWER LH & UPPER RH	71-20-00-03	-015
SHOCK MOUNT KIT-RH LOWER & LH UPPER 172 FSO J-9316-49	71-20-00-01	-009
SHOCK MOUNT-COMPLETE KIT 172	71-20-00-01	-011
SHOCK MOUNT-COMPLETE KIT	71-20-00-02	-008
SHOCK MOUNT-COMPLETE KIT	71-20-00-03	-008
SHOCK STRUT ASSY-NOSE GEAR 172	32-20-01-01	-001B
SHOCK STRUT ASSY-NOSE GEAR 172S	32-20-01-01	-001C
SIDE UPHOLSTERY-LEFT	25-20-00-03	-
SILKSCREEN-PILOT PANEL ASSY OUTBOARD 172	11-N-31-01	-150
SILKSCREEN-STATIONARY CONTROL PANEL 172S	11-N-31-01	-160
SILL ASSY-LH DOOR LOWER	53-10-00-01	-031
SKIN-LANDING GEAR BULKHEAD	53-10-00-01	-085
SKIN-LH FRONT SECTION	53-10-00-02	-015
SKIN-AFT FUSELAGE SECTION LOWER	53-21-00-01	-018
SKIN-LH LOWER TRAILING EDGE 172	57-10-02-01	-225B
SKIN-RH LOWER CENTER SECTION WS 70.875 TO WS 200.00 172 FSO 0523080-40	57-11-00-01	-002B
SKIN ASSY-FUSELAGE CENTER SECTION LOWER	53-10-00-01	-081
SKIN ASSY-LH LOWER 172	57-10-02-01	-005
SKIN ASSY-LH LOWER 172S	57-10-02-01	-005A
SKINS AND STRINGERS INSTALLATION-WING	57-11-00-01	-
SKYLIGHT HEADLINER INSTALLATION 172S	56-60-00-01	-
SLAVING ACCESSORY-HSI 172	34-53-00-01	-002
SLAVING ACCESSORY-HSI 172S	34-53-00-01	-002A
SOUND DAMPENING FOAM FOIL BACKD BKI	25-80-00-01	-150B
SOUNDPROOFING INSTALLATION-FUSELAGE	25-80-00-01	-
SPANISH EXTERIOR PLACARDS AND MARKINGS - COWLING	11-EC-24-01	-
SPANISH EXTERIOR PLACARDS AND MARKINGS - FUSELAGE	11-EC-22-01	-
SPANISH EXTERIOR PLACARDS AND MARKINGS - WINGS	11-EC-25-01	-
SPANISH INTERIOR PLACARDS AND MARKINGS - CABIN	11-EC-32-01	-
SPANISH INTERIOR PLACARDS AND MARKINGS - CABIN DOORS	11-EC-38-01	-
SPANISH INTERIOR PLACARDS AND MARKINGS - SEATS	11-EC-31-01	-
SPAR ASSEMBLIES - WING	57-10-01-01	-
SPAR ASSY-VERTICAL FIN	55-30-00-01	-027
SPAR ASSY-FWD RUDDER	55-40-00-01	-016
SPARE-ARMREST SHIELD LH 172	25-20-00-03	-022
SPARK PLUG	71-00-01-01	-001
SPEAKER INSTALLATION	23-30-00-01	-
SPEED FAIRING ASSY-NOSE GEAR 172	32-21-00-01	-001

CESSNA AIRCRAFT COMPANY
MODEL 172 (SERIES 1996 AND ON)
 ILLUSTRATED PARTS CATALOG

NOMENCLATURE	CH SEC SUBJ FIG	ITEM
S Continued		
SPINNER FSO 0550367-5 172	61-10-00-01	-005C
SPRING ASSY-LH MAIN LANDING GEAR 172 FSO 0541198-13	32-10-00-01	-008
SPROCKET-CONTROL YOKE	27-10-00-01	-031
SPROCKET-ROLL CHAIN	27-30-01-02	-009
STABILIZER ASSY 172	55-10-00-01	-001
STABILIZER ASSY 172S	55-10-00-01	-001A
STABILIZER ASSY 172	55-10-00-01	-001B
STABILIZER ASSY 172S	55-10-00-01	-001C
STABILIZER ASSY 172 FSO 2432000-23	55-10-00-01	-001D
STABILIZER ASSY 172S FSO 2432000-23	55-10-00-01	-001E
STABILIZER ASSY-172 FSO 2432000-23	55-10-00-01	-001F
STABILIZER ASSY-172S FSO 2432000-23	55-10-00-01	-001G
STABILIZER ASSY-172	55-10-00-01	-001H
STABILIZER ASSY-172S	55-10-00-01	-001J
STABILIZER INSTALLATION	55-10-00-01	-
STALL WARNING HORN INSTALLATION	27-31-00-01	-
STANDBY BATTERY INSTALLATION-NAV III	24-34-00-02	-
STARTER CABLE 172	80-10-00-01	-002
STARTER INSTALLATION	80-10-00-01	-
STATIC DISCHARGER INSTALLATION	23-60-00-01	-
STATIC DISK WICK 172	23-60-00-01	-001
STATIC DISK WICK 172S	23-60-00-01	-001A
STEP AND HANDLE INSTALLATION-REFUELING	53-10-02-01	-
STEP ASSY 172	32-10-00-01	-015
STEP ASSY-LH STRUT 172 FSO 0500840-201	53-10-02-01	-007
STIFFENER-RH	57-10-02-01	-108
STRAINER ASSY-FUEL	28-21-00-01	-001
STRAP-BATTERY GROUND	24-34-00-01	-004
STRAP ASSY-BONDING RUDDER 172	23-60-00-01	-003
STRAP ASSY-BONDING RUDDER 172S	23-60-00-01	-003A
STRAP ASSY-BONDING RUDDER 172	23-60-00-01	-003B
STRAP ASSY-BONDING RUDDER 172S	23-60-00-01	-003C
STRAP ASSY-BONDING HORIZONTAL STABILIZER	23-60-00-01	-004
STRIKER PLATE-WINDOW LH 172	56-30-00-01	-086
STRIKER PLATE-WINDOW LH 172S	56-30-00-01	-086A
STRIKER PLATE-WINDOW LH 172	56-30-00-01	-086B
STRIKER PLATE-WINDOW LH 172S	56-30-00-01	-086C
STRIKER PLATE-BAGGAGE DOOR	52-30-00-01	-025
STRINGER ASSY 172	53-10-00-01	-089
STRUCTURE ASSY-LH FUEL BAY 172 FSO 0522644-3	57-10-02-01	-001
STRUCTURE ASSY-LH FUEL BAY 172S FSO 0522644-3	57-10-02-01	-001A
STRUCTURE ASSY-RH FUEL BAY 172 FSO 0522644-4	57-10-02-01	-002
STRUCTURE ASSY-RH FUEL BAY 172S FSO 0522644-4	57-10-02-01	-002A
STRUCTURE ASSY-CONSOLE 172	53-22-00-02	-001
STRUT ASSEMBLY-WING	57-10-03-01	-
SUNVISOR INSTALLATION	25-11-00-01	-
SUPPORT ASSY-RADIO STACK 172 FSO 0513570-21	53-22-00-01	-005
SUPPORT ASSY-RADIO STACK 172S FSO 0513570-21	53-22-00-01	-005A
SUPPORT BRACKET-FUEL SELECTOR	53-10-00-02	-158
SWITCH-MASTER ALT BAT SI009	24-61-00-01	-004
SWITCH-AVIONICS MASTER REPLACES S3271-1-1 SI001	24-61-00-01	-005
SWITCH-MIC	27-10-00-02	-013
SWITCH-AUTO PILOT DISCONNECT	27-10-00-02	-014
SWITCH PANEL ASSY 172	31-10-00-01	-001
SWITCH PANEL ASSY 172S	31-10-00-01	-001A
SWITCH PANEL ASSY 172	31-10-00-01	-001B
SWITCH PANEL ASSY 172S	31-10-00-01	-001C
SWITCH PANEL ASSY 172	31-10-00-01	-001D
SWITCH PANEL ASSY 172S	31-10-00-01	-001E
SWITCH PANEL ASSY 172	31-10-00-01	-001F

CESSNA AIRCRAFT COMPANY
MODEL 172 (SERIES 1996 AND ON)
 ILLUSTRATED PARTS CATALOG

NOMENCLATURE	CH SEC SUBJ FIG	ITEM
--------------	-----------------	------

S Continued

SWITCH PANEL ASSY 172S	31-10-00-01	-001G
------------------------------	-------------	-------

T

TACH SENDING UNIT-NAV III 172	77-40-00-01	-003F
TACH SENDING UNIT-NAV III 172S	77-40-00-01	-003G
TACH SENDING UNIT-NAV III 172	77-40-00-01	-003H
TACH SENDING UNIT-NAV III 172S	77-40-00-01	-003J
TAILCONE ASSEMBLY - FS 205.812 TO FS 228.812	53-21-00-01	-
TAILCONE ASSY-FWD 172	53-20-00-01	-225
TAILCONE ASSY-FWD 172S	53-20-00-01	-225A
TAILCONE ASSY-FWD 172	53-20-00-01	-225B
TAILCONE ASSY-FWD 172S	53-20-00-01	-225C
TAILCONE ASSY-FWD 172	53-20-00-01	-225D
TAILCONE ASSY-FWD 172S	53-20-00-01	-225E
TAPE-POLYURETHANE	32-10-00-01	-014
TAS ANTENNA INSTALLATION - 172	34-40-01-01	-
TAS EQUIPMENT INSTALLATION-172	34-40-00-01	-
THREE POINT AIRBAG BELT-LH TAN 172	25-21-01-01A	-017
THREE POINT AIRBAG BELT-LH TAN 172S	25-21-01-01A	-017A
THREE-POINT AIR BAG BELT-COPILOT TAN 172	25-10-03-01A	-012B
THREE-POINT AIR BAG BELT-PILOT TAN 172	25-10-03-01A	-013B
THROTTLE CONTROL INSTALLATION	76-10-00-01	-
TIP-ELEVATOR LH 172	55-20-00-01	-077
TIP-ELEVATOR LH 172S	55-20-00-01	-078
TIRE 6.00 X 6 4 PLY RATED 172	32-30-00-01	-036
TIRE EQU TO C262003-0101	32-30-00-01	-036A
TIRE EQU TO C262003-0101	32-30-00-01	-036B
TIRE EQU TO C262003-0101	32-30-00-01	-036C
TIRE 6.00 X 6 6 PLY RATED EQU 9910336-1 172 AIRPLANES INCORPORATING MK172-72-01C	32-30-00-01	-036D
TIRE EQU TO C262003-0204	32-30-00-01	-036E
TIRE EQU TO C262003-0204	32-30-00-01	-036F
TIRE EQU TO C262003-0204	32-30-00-01	-036G
TIRE 6.00 X 6 6 PLY PREMIUM TYPE III 172S	32-30-00-01	-036H
TIRE 6.00 X 6 6 PLY PREMIUM TYPE III 172S EQU TO C262003-0219	32-30-00-01	-036J
TIRE 5.00 X 5 6 PLY RATED	32-31-00-01	-013
TORQUE LINK-LOWER	32-20-01-01	-047
TORQUE TUBE ASSY-ELEVATOR	55-20-00-01	-093
TORQUE-LINK-LOWER	32-20-01-01A	-094
TRANSDUCER-FUEL PRESSURE	73-30-00-01	-001
TRANSDUCER-OIL PRESSURE 172	79-30-00-01	-001
TRANSDUCER-OIL PRESSURE 172S	79-30-00-01	-001A
TRANSDUCER-OIL PRESSURE 172 ALT FOR P165-5281	79-30-00-01	-001B
TRANSDUCER-OIL PRESSURE 172S ALT FOR P165-5281	79-30-00-01	-001C
TRANSPONDER-KT76C 172	34-50-02-01	-001
TRANSPONDER-KT73 MODE S 172	34-50-02-01	-001E
TRANSPONDER SYSTEM	34-50-02-01	-
TRAY ALT 066-03063-0000	34-50-01-01	-001B
TRIM TAB-RUDDER	55-40-00-01	-034
TUBE 6.00 X 6	32-30-00-01	-037
TUBE 5.00 X 5	32-31-00-01	-014
TUBE 5.00 X 5 6 PLY PREMIUM TYPE II OPTION	32-31-00-01	-015
TUNNEL COMPONENTS - FRONT SECTION	53-11-00-04	-

U

U.S. EXTERIOR PLACARDS AND MARKINGS - COWLING	11-N-24-01	-
---	------------	---

CESSNA AIRCRAFT COMPANY
MODEL 172 (SERIES 1996 AND ON)
 ILLUSTRATED PARTS CATALOG

NOMENCLATURE	CH	SEC	SUBJ	FIG	ITEM
--------------	----	-----	------	-----	------

U Continued

U.S. EXTERIOR PLACARDS AND MARKINGS - FUSELAGE	11-N-22-01	-
U.S. EXTERIOR PLACARDS AND MARKINGS - LANDING GEAR	11-N-27-01	-
U.S. EXTERIOR PLACARDS AND MARKINGS - WINGS	11-N-25-01	-
U.S. INTERIOR PLACARDS AND MARKINGS - CABIN	11-N-32-01	-
U.S. INTERIOR PLACARDS AND MARKINGS - CABIN DOORS	11-N-38-01	-
U.S. INTERIOR PLACARDS AND MARKINGS - FLIGHT COMPARTMENT	11-N-31-01	-
U.S. INTERIOR PLACARDS AND MARKINGS - SEATS	11-N-31-02	-
UAT(GDL 90)	34-50-03-01	-001
UKRAINIAN EXTERIOR PLACARDS AND MARKINGS - CABIN DOOR	11-UR-28-01	-
UPPER NOSE CAP ASSY 172	71-10-00-01	-077

V

VACUUM SYSTEM WITH HSI OPTION	37-10-00-02	-
VACUUM SYSTEM WITH HSI OPTION	37-10-00-03	-
VACUUM SYSTEM WITHOUT HSI	37-10-00-01	-
VALVE-FUEL	28-21-00-01	-014
VALVE ASSY-FUEL DRAIN	28-21-00-02	-011
VALVE-FUEL RESERVOIR DRAIN FSO	28-22-00-01	-004
VALVE-FUEL RESERVOIR DRAIN	28-22-00-01	-004A
VALVE-EXTENSION	32-10-00-01	-036
VALVE-REGULATING 172	37-10-00-04	-039B
VALVE-FUEL BAY DRAIN FSO S2020-3	57-10-02-01	-013
VALVE-FUEL BAY DRAIN	57-10-02-01	-013A
VALVE ASSY-WARM AIR	21-40-00-01	-001
VALVE ASSY-FUEL STRAINER DRAIN FSO S2485-2	28-22-00-02	-011
VALVE ASSY-FUEL STRAINER DRAIN	28-22-00-02	-011A
VALVE ASSY-FUEL SELECTOR	28-21-00-02	-001
VARIABLE RESISTOR (POTENTIOMETER-REOSTAT) RI002	33-13-00-01	-078
VHF ANTENNA-LH AND RH 172	23-10-00-01	-001
VHF BLADE ANTENNA-RH 172	23-10-00-01	-001D
VHF NAVIGATION SYSTEM	34-50-00-01	-
VHF/GPS ANTENNA-LH AND RH 172	23-10-00-01	-001M
VHF/GPS/XM ANTENNA-LH 172	23-10-00-01	-001K
VOLTAGE REGULATOR QZ001	33-13-00-01	-081
VOLTAGE REGULATOR QZ001	33-13-00-01A	-003

W

WBA ANNUNCIATOR/FUSELAGE 172	31-50-01-01	-004
WBA BATTERY SYSTEM	24-61-00-01	-004A
WBA BUS BAR	24-61-00-01	-004B
WBA COURTESY LIGHT	33-44-00-01	-017
WBA FLIGHT INSTRUMENTS	34-10-00-01	-001J
WBA FUEL PUMP	24-61-00-01	-007A
WBA FUEL SYSTEM-FUSELAGE	28-22-00-03	-015
WEIGHT-ELEVATOR BALANCE	55-20-00-01	-025
WEIGHT-BALANCE	57-60-00-01	-015
WEIGHT ASSY-RUDDER BALANCE	55-40-00-01	-029
WHEEL AND BRAKE ASSEMBLY - MAIN LANDING GEAR	32-30-00-01	-
WHEEL ASSEMBLY-NOSE GEAR CLEVELAND	32-31-00-01	-
WHEEL ASSY-MAIN GEAR VENDOR P/N 40-113	32-30-00-01	-001
WHEEL CAP	32-10-00-01	-032
WHIP ANTENNA-ELT 172	25-60-00-01	-003B
WHIP ANTENNA-ELT 172S	25-60-00-01	-003C
WICK-STATIC DISCHARGE REPLACEMENT OPT, (2 PART) AIRPLANES INCORPORATING MK172-23-01 172	23-60-00-01	-001B

CESSNA AIRCRAFT COMPANY
MODEL 172 (SERIES 1996 AND ON)
 ILLUSTRATED PARTS CATALOG

NOMENCLATURE	CH	SEC	SUBJ	FIG	ITEM
--------------	----	-----	------	-----	------

W Continued

WICK-STATIC DISCHARGE REPLACEMENT OPT, (2 PART) AIRPLANES INCORPORATING MK172-23-01 172S.....	23-60-00-01	-001C
WINDOW-REAR	56-20-00-01	-004
WINDOW-SKYLIGHT	56-60-00-01	-004
WINDOW ASSY-SIDE LH	56-20-00-01	-001
WINDOW-CABIN DOOR	56-30-00-01	-
WINDSHIELD INSTALLATION.....	56-10-00-01	-
WING INSTALLATION	57-00-00-01	-
WING STRUCTURE ASSEMBLY	57-10-00-01	-
WING STRUCTURE ASSY-LH 172 FSO 0523080-201.....	57-10-00-01	-001
WING TIP-LH 172	33-40-00-02	-099
WINTERIZATION EQUIPMENT.....	25-70-00-01	-

CESSNA AIRCRAFT COMPANY
MODEL 172 (SERIES 1996 AND ON)
ILLUSTRATED PARTS CATALOG

PART NUMBER	CH SEC SUBJ FIG	ITEM	REQ	PART NUMBER	CH SEC SUBJ FIG	ITEM	REQ
01-0290323-00	33-43-00-02	-004	01	011-00894-10	22-10-00-02A	-004	01
01-0450685-00	33-43-00-01	-005	01	011-00915-00	34-13-00-01	-005	02
01-0770006-12	33-40-00-02	-088	01	011-00915-00	34-60-01-01	-005	02
01-0770006-12	33-40-00-02	-088A	01	011-00915-01	23-10-01-01	-003	01
01-0770006-17	33-40-00-02	-088B	01	011-00915-01	34-50-02-01A	-006	01
01-0770006-17	33-40-00-02	-088C	01	011-00963-00	23-10-01-01	-004	01
01-0770006-17	33-40-00-03	-001	01	011-00972-00	34-60-00-01	-001	NP
01-0770082-12	33-40-00-02	-092	01	011-00972-00	34-60-00-01	-001A	NP
01-0770082-12	33-40-00-02	-092A	01	011-00972-03	34-60-00-01	-001B	NP
01-0770082-13	33-40-00-02	-093	01	011-00972-03	34-60-00-01	-001C	NP
01-0770082-13	33-40-00-02	-093A	01	011-00978-00	34-13-00-01	-007	01
01-0770509-07	33-43-00-01	-001	01	011-00987-00	34-13-00-01	-008	NP
01-0770818-00	33-40-00-02	-104	01	011-01011-00	34-13-00-01	-003	01
01-0770818-00	33-40-00-02	-104A	01	011-01014-00	34-13-00-01	-006	01
01-0770818-00	33-40-00-03	-022	01	011-01019-00	23-50-00-02	-003	01
01-0771011-04	33-40-00-02	-079	01	011-01028-00	22-10-00-02	-003	01
01-0771011-04	33-40-00-02	-079A	01	011-01028-00	22-10-00-02A	-005	01
01-0771011-04	33-40-00-03	-075	NP	011-01028-00	22-10-00-03	-004	02
01-0771011-04	33-40-00-03	-075A	NP	011-01105-00	23-10-01-01	-001D	NP
01-0771015-07	33-40-00-03	-012	01	011-01105-00	23-10-01-01	-001E	NP
01-0771015-08	33-40-00-03	-011	01	011-01105-01	23-10-01-01	-001H	02
01-0771050-00	33-43-00-02	-001	NP	011-01105-01	23-10-01-01	-001J	02
01-0771050-00	33-43-00-02	-001A	NP	011-01346-00	34-40-01-01	-005	01
01-0771368-00	33-40-00-01B	-008	01	011-01356-00	34-40-00-01	-005	01
01-0771554-03	33-40-00-03	-075B	01	011-01356-00	34-40-00-01	-005A	01
01-0771554-03	33-40-00-03	-075C	01	011-01364-15	34-40-00-01	-003	01
01-0771560-00	33-43-00-02	-001B	01	011-01364-15	34-40-00-01	-003A	01
01-0771560-00	33-43-00-02	-001C	01	013-00176-01	34-50-03-01	-001	01
010-00330-41	34-60-00-01	-002	01	0163-00179	57-40-00-02	-016	02
010-00330-41	34-60-00-01	-002A	01	0163-00179	57-40-00-02	-016A	02
010-00330-42	34-60-00-01	-002B	01	02-0250627-01	33-43-00-01	-008	01
010-00330-42	34-60-00-01	-002C	01	02-0350433-01	33-43-00-01	-007	01
010-00330-43	34-60-00-01	-002D	01	02G22973	28-21-00-01	-106	01
010-00330-43	34-60-00-01	-002E	01	0310196-12	27-21-00-01	-006	01
010-00330-54	34-60-00-01	-003	01	0310196-5	27-21-00-01	-007	01
011-00582-00	34-50-02-01A	-005	01	0310295-0	27-30-01-02	-004	02
011-00779-00	34-50-02-01A	-001	NP	0310297-1	27-30-01-02	-005	01
011-00779-00	34-50-02-01A	-001A	NP	0310298-1	27-30-01-02	-006	01
011-00779-10	34-50-02-01A	-001B	01	0310332-0	27-30-01-02	-009	01
011-00779-10	34-50-02-01A	-001C	01	0310362-5	27-30-01-02	-015	01
011-00781-01	23-10-01-01	-001B	02	0310422-1	27-30-01-02	-011	01
011-00781-01	23-10-01-01	-001C	02	0311319-1	52-30-00-01	-016	01
011-00796-00	34-60-01-01	-004	01	0311319-1	52-30-00-01	-025	01
011-00812-00	23-50-00-02	-004	01	0311319-2	52-30-00-01	-018	AR
011-00821-00	31-00-00-01B	-003	02	0311319-2	52-30-00-01	-026	01
011-00868-00	34-23-00-01	-001	01	0311623-1	52-30-00-01	-019	01
011-00868-00	34-23-00-01	-001A	01	0334128-3	55-20-00-01	-110	01
011-00868-10	34-23-00-01	-001B	01	035018-3-0100	32-32-00-01	-002	NP
011-00868-10	34-23-00-01	-001C	01	0400123-1	25-20-10-01	-079	02
011-00870-00	34-53-00-03	-002	01	0400213-4	11-N-31-01	-003	01
011-00870-00	34-53-00-03	-002A	01	0400213-4	11-N-31-01	-003A	01
011-00878-00	22-10-00-02	-001	01	0400213-5	11-N-31-01	-001	01
011-00878-00	22-10-00-02A	-001	01	0400213-5	11-N-31-01	-001A	01
011-00878-00	22-10-00-03	-001	02	0400213-7	11-N-31-01	-004	01
011-00882-00	34-13-00-01	-001	NP	0400213-7	11-N-31-01	-004A	01
011-00882-00	34-13-00-01	-001A	NP	0400213-8	11-N-31-01	-002	01
011-00882-01	34-13-00-01	-001B	NP	0400213-8	11-N-31-01	-002A	01
011-00882-01	34-13-00-01	-001C	NP	0411129-0	53-11-00-01	-010	02
011-00882-10	34-13-00-01	-001D	NP	0411174-3	56-60-00-01	-008	02
011-00882-10	34-13-00-01	-001E	NP	0411175-10	56-60-00-01	-007	02
011-00894-00	22-10-00-03	-002	02	0411175-11	56-60-00-01	-006	01
011-00894-10	22-10-00-02	-002	01	0411185-3	56-30-00-01	-083A	01

CESSNA AIRCRAFT COMPANY
MODEL 172 (SERIES 1996 AND ON)
ILLUSTRATED PARTS CATALOG

PART NUMBER	CH SEC SUBJ FIG	ITEM	REQ	PART NUMBER	CH SEC SUBJ FIG	ITEM	REQ
0411185-3	56-30-00-01	-084A	01	0426011-6	28-10-01-01	-009A	01
0411185-4	56-30-00-01	-085	01	0426011-6	28-10-01-01	-009F	01
0411185-5	56-30-00-01	-083	NP	0426011-9	28-10-01-01	-009B	02
0411185-6	56-30-00-01	-084	NP	0426011-9	28-10-01-01	-009C	02
0411185-7	56-30-00-01	-082	02	0431017-2	33-43-00-01	-012	01
0411257-0	27-10-00-01	-030	02	0432123-0	55-10-00-01	-027A	01
0411306-14	27-21-00-01	-027	01	0432126-0	27-30-01-02	-002	02
0411306-25	27-21-00-01	-028	01	0432134-1	27-30-01-01	-003	01
0411307-0	27-21-00-01	-008	02	0432155-0	55-10-00-01	-027	01
0411307-0	27-21-00-01	-087	02	0442017-7	32-20-01-01	-010	NP
0411420-0	27-30-01-01	-011	01	0442017-7	32-20-01-01	-010A	NP
0411420-0	53-22-00-02	-009	01	0442506-1	32-20-01-01	-030	01
0411523-0	27-30-01-01	-097	04	0442506-1	32-20-01-01A	-075	01
0411523-0	27-30-01-01	-098	03	0442506-2	32-20-01-01	-047	01
0411524-0	27-30-01-01	-100	01	0442506-2	32-20-01-01A	-094	01
0411562-0	27-21-00-01	-031	04	0442506-8	32-20-01-01	-044	01
0411563-0	27-21-00-01	-091	03	0442506-8	32-20-01-01A	-091	01
0411565-0	27-21-00-01	-030	02	0442506-9	32-20-01-01	-046	01
0411778-5	27-21-00-01	-078	01	0442506-9	32-20-01-01A	-093	01
0411778-6	27-21-00-01	-004	01	0442512-1	32-20-02-01	-001	NP
0411783-0	32-32-00-02	-031	01	0442512-1	32-20-02-01	-001A	NP
0411875-12	57-00-00-01	-079	01	0450277-212	71-11-00-01	-025	01
0412007-15	24-34-00-01	-004	01	0450277-215	71-11-00-01	-026	02
0412007-15	24-60-00-01	-016	01	0450286-1	53-10-01-01	-025	01
0412007-18	24-60-00-01	-015	01	0450286-1	53-10-01-01	-025A	01
0412007-8	71-20-00-01	-030	01	0450286-1	53-10-01-01A	-044	01
0412007-8	71-20-00-02	-026	01	0453003-21	53-10-01-01	-010	03
0412007-8	71-20-00-03	-027	01	0453003-21	53-10-01-01	-010A	03
0412467-0	53-21-00-01	-006	01	0453003-21	53-10-01-01	-078	04
0412549-1	34-50-00-01	-077	02	0453003-21	53-10-01-01	-078A	04
0413028-10	27-31-00-01	-009	01	0453003-22	53-10-01-01	-018	02
0413028-11	27-31-00-01	-001A	01	0453003-22	53-10-01-01	-018A	02
0413028-9	27-31-00-01	-011	01	0453003-24	53-10-01-01	-084	02
0413372-5	27-10-00-01	-092	02	0453003-24	53-10-01-01	-084A	02
0413485-2	27-31-00-01	-010	01	0453016-1	21-40-00-01	-001	01
0413517-12	34-21-00-01	-002	01	0453017-1	21-40-00-01	-003	01
0413517-13	34-21-00-01	-001	01	0453018-1	21-40-00-01	-004	01
0413530-2	56-10-00-01	-002	01	0453020-1	21-40-00-01	-002	01
0413578-1	27-21-00-01	-001	02	0460216-1	27-50-00-02	-098	01
0413578-1	27-21-00-01	-075	02	0460217-1	27-50-00-02	-014	01
0414014-2	56-60-00-01	-005	16	047-04218-0001	34-53-00-02	-007	02
0415035-1	11-N-31-01	-010	02	047-04219-0001	34-53-00-02	-013	01
0422229-16	57-10-02-01	-109	02	047-04874-001	34-50-00-01	-003	01
0422280-0	27-10-00-03	-152	02	047-05193-0002	34-50-01-01	-001B	01
0422280-0	27-10-00-03	-160	02	047-09828-0004	34-50-02-01	-001D	01
0422280-0	27-10-00-03	-168	02	047-10434-003	34-51-00-01	-082	01
0422291-0	57-40-00-01	-020	01	047-10881-0001	22-10-00-01A	-001B	01
0422292-0	27-31-00-01	-008	01	047-4218-01	34-60-00-02	-006	02
0422292-0	57-40-00-01	-016	02	047-4219-01	34-60-00-02	-007	01
0422344-0	53-10-00-02	-159	01	047-5657-01	34-50-01-01	-008	01
0422344-0	53-21-00-01	-021	01	0470405-1	27-50-00-02	-085	01
0422406-1	57-10-01-01	-027	01	0470405-2	27-50-00-02	-086	01
0422406-2	57-10-01-01	-028	01	050-01555-0002	34-53-00-02	-006	01
0422411-1	57-10-01-01	-025	01	050-01555-0002	34-53-00-02	-006A	01
0422411-2	57-10-01-01	-026	01	050-03612-0000	34-51-00-01	-093	01
0422412-1	57-10-01-01	-019	01	0500044-21	53-10-01-01	-027B	01
0422412-2	57-10-01-01	-020	01	0500044-21	53-10-01-01	-027C	01
0422414-1	57-10-01-01	-023	01	0500044-23	53-10-01-01	-026	01
0422414-2	57-10-01-01	-024	01	0500044-23	53-10-01-01A	-026	01
0422430-11	27-10-00-03	-153	01	0500044-35	53-10-01-01	-027	01
0422430-7	27-10-00-03	-150	01	0500044-35	53-10-01-01	-027A	01
0426011-6	28-10-01-01	-009	01	0500118-116	28-21-00-01	-163	01

CESSNA AIRCRAFT COMPANY
MODEL 172 (SERIES 1996 AND ON)
 ILLUSTRATED PARTS CATALOG

PART NUMBER	CH SEC SUBJ FIG	ITEM	REQ	PART NUMBER	CH SEC SUBJ FIG	ITEM	REQ
0500118-117	28-21-00-01	-241	01	0500210-188	25-20-10-03	-164	NP
0500118-126	32-32-00-01	-036	NP	0500210-191	25-20-10-02	-044	NP
0500118-126	32-32-00-01	-036A	NP	0500210-191	25-20-10-02	-045	NP
0500118-127	32-32-00-01	-037	NP	0500210-192	25-20-10-02	-046	01
0500118-127	32-32-00-01	-037A	NP	0500210-192	25-20-10-02	-047	01
0500118-128	32-32-00-01	-031	NP	0500210-193	25-20-10-03	-033	NP
0500118-128	32-32-00-01	-031A	NP	0500210-193	25-20-10-03	-034	NP
0500118-129	32-32-00-01	-032	NP	0500210-194	25-20-10-03	-165	01
0500118-129	32-32-00-01	-032A	NP	0500210-194	25-20-10-03	-166	01
0500118-167	71-70-00-01	-007	01	0500210-195	25-20-10-03	-152	01
0500118-169	73-30-00-01	-006	01	0500210-195	25-20-10-03	-153	01
0500118-169	73-30-00-01	-006A	01	0500210-198	25-20-10-03	-035	01
0500118-170	79-30-00-01	-006	01	0500210-198	25-20-10-03	-036	01
0500118-171	71-70-00-01	-003	01	0500210-48	25-20-10-01	-075	01
0500118-172	71-70-00-01	-006	01	0500210-48	25-20-10-01	-076	01
0500118-172	71-70-00-01	-006A	01	0500210-99	25-20-10-01	-014	01
0500118-194	71-70-00-01	-006B	NP	0500210-99	25-20-10-02	-040	01
0500118-194	71-70-00-01	-006C	NP	0500210-99	25-20-10-03	-029	01
0500118-49	28-21-00-01	-097	01	0500233-29	33-10-01-01	-007	01
0500118-49	28-21-00-01	-097A	01	0500233-29	33-10-01-01	-008	01
0500118-523	32-32-00-01	-036B	01	0500233-31	33-10-01-01	-009	01
0500118-523	32-32-00-01	-036C	01	0500233-31	33-10-01-01	-010	01
0500118-524	32-32-00-01	-037B	01	0500233-32	33-10-01-01	-011	01
0500118-524	32-32-00-01	-037C	01	0500233-32	33-10-01-01	-012	01
0500118-53	28-21-00-01	-095	01	0500233-34	33-10-01-01	-013	01
0500118-53	28-21-00-01	-095A	01	0500233-34	33-10-01-01	-014	01
0500118-86	32-32-00-01	-017	01	0500233-35	33-10-01-01	-017	01
0500118-87	32-32-00-01	-024	01	0500233-35	33-10-01-01	-018	01
0500118-88	32-32-00-01	-022	01	0500233-35	33-10-01-02	-003	01
0500118-89	32-32-00-01	-008	01	0500233-37	33-10-01-01	-014A	01
0500118-90	32-32-00-01	-007	01	0500233-37	33-10-01-01	-014B	01
0500150-1	32-32-00-01	-031B	02	0500276-1	53-10-02-01	-007	NP
0500150-1	32-32-00-01	-031C	02	0500276-1	53-10-02-01	-007C	NP
0500150-1	32-32-00-01	-032B	02	0500276-2	53-10-02-01	-008	NP
0500150-1	32-32-00-01	-032C	02	0500276-2	53-10-02-01	-008C	NP
0500209-1	25-20-10-03	-154	01	0500279-10	25-80-00-02	-012	02
0500209-1	25-20-10-03	-155	01	0500279-11	25-80-00-02	-009	02
0500209-4	25-20-10-03	-167	01	0500279-12	25-80-00-02	-013	02
0500209-4	25-20-10-03	-168	01	0500279-7	25-80-00-02	-014	01
0500210-131	25-20-10-01	-031	01	0500279-8	25-80-00-02	-008	02
0500210-131	25-20-10-02	-119	01	0500279-9	25-80-00-02	-011	04
0500210-131	25-20-10-03	-202	01	0500423-10	28-21-00-01	-252	01
0500210-179	25-20-10-01	-018	01	0500423-30	28-21-00-01	-256	01
0500210-180	25-23-00-01	-002	01	0500423-50	28-21-00-01	-251	01
0500210-180	25-23-00-02	-008	01	0500423-51	28-21-00-01	-156	01
0500210-180	25-23-00-02	-008A	01	0500423-52	28-21-00-01	-152	01
0500210-183	25-20-10-01	-030	01	0500423-53	28-21-00-01	-150	01
0500210-183	25-20-10-02	-116	01	0500423-57	28-21-00-01	-177	01
0500210-183	25-20-10-03	-203	01	0500423-6	28-21-00-01	-244	01
0500210-184	25-20-10-01	-082	01	0500423-66	28-21-00-01	-036	01
0500210-184	25-20-10-01	-083	01	0500423-67	28-21-00-01	-028	01
0500210-185	25-20-10-01	-077	01	0500423-67	28-21-00-01	-028A	01
0500210-185	25-20-10-01	-078	01	0500423-68	28-21-00-01	-009	01
0500210-185	25-20-10-02	-075	01	0500423-68	28-21-00-01	-009A	01
0500210-185	25-20-10-02	-076	01	0500423-69	28-21-00-01	-225	01
0500210-185	25-20-10-03	-150	NP	0500423-70	28-21-00-01	-227	01
0500210-185	25-20-10-03	-151	NP	0500423-76	28-21-00-01	-009B	01
0500210-188	25-20-10-01	-084	01	0500423-76	28-21-00-01	-009C	01
0500210-188	25-20-10-01	-085	01	0500425-10	25-80-00-02	-005	02
0500210-188	25-20-10-02	-083	01	0500425-11	25-80-00-02	-001	02
0500210-188	25-20-10-02	-084	01	0500425-12	25-80-00-02	-002	02
0500210-188	25-20-10-03	-163	NP	0500425-13	25-80-00-02	-003	02

CESSNA AIRCRAFT COMPANY
MODEL 172 (SERIES 1996 AND ON)
ILLUSTRATED PARTS CATALOG

PART NUMBER	CH SEC SUBJ FIG	ITEM	REQ	PART NUMBER	CH SEC SUBJ FIG	ITEM	REQ
0500425-14	25-80-00-02	-004	02	0501081-4	27-21-00-01	-097	01
0500425-15	25-80-00-02	-007	02	0501081-5	27-21-00-01	-041	01
0500425-16	25-80-00-02	-006	02	0501081-5	27-21-00-01	-100	01
0500425-17	25-80-00-02	-016	01	0501081-6	27-21-00-01	-042	01
0500425-17	25-80-00-02	-016A	01	0501081-7	27-21-00-01	-039B	01
0500834-24	25-80-00-01	-076	01	0501081-7	27-21-00-01	-039C	01
0500834-25	25-80-00-01	-077	01	0501081-8	27-21-00-01	-034B	02
0500834-26	25-80-00-01	-078	01	0501081-8	27-21-00-01	-034C	02
0500834-27	25-80-00-01	-080	02	0501136-1	21-40-00-01	-038	02
0500834-28	25-80-00-01	-081	02	0501136-2	21-40-00-01	-039	02
0500834-29	25-80-00-01	-082	02	0501137-1	21-20-00-01	-005	02
0500834-3	25-80-00-01	-075	01	0501137-2	21-20-00-01	-008	02
0500834-30	25-80-00-01	-083	AR	0501137-2	21-20-00-01	-008A	02
0500834-31	25-80-00-01	-084	02	0501137-2	21-20-00-01	-009	01
0500834-32	25-80-00-01	-085	01	0501137-2	21-20-00-01	-009A	01
0500834-33	25-80-00-01	-086	01	0501144-12	31-00-00-01	-017	01
0500834-34	25-80-00-01	-087	01	0501144-12	31-00-00-01	-017A	01
0500834-35	25-80-00-01	-088	01	0501144-14	31-00-00-01	-018	01
0500834-37	25-80-00-01	-091B	01	0501144-14	31-00-00-01	-018A	01
0500834-38	25-80-00-01	-092	01	0501144-16	31-00-00-01	-016	01
0500834-39	25-80-00-01	-093	01	0501144-16	31-00-00-01	-016A	01
0500834-4	25-80-00-01	-079	01	0501144-5	31-00-00-01	-015	01
0500834-40	25-80-00-01	-094	01	0501144-5	31-00-00-01	-015A	01
0500834-42	25-80-00-01	-151	01	0501146-1	22-10-00-01	-082	01
0500834-43	25-80-00-01	-152	01	0501146-10	22-10-00-01	-090	04
0500834-44	25-80-00-01	-153	01	0501146-2	22-10-00-03	-027	01
0500834-45	25-80-00-01	-154	01	0501146-2	53-20-00-01	-337	01
0500834-46	25-80-00-01	-155	01	0501146-3	22-10-00-01	-083	01
0500834-47	25-80-00-01	-156	01	0501146-3	22-10-00-03	-029	01
0500834-48	25-80-00-01	-157	01	0501146-3	53-20-00-01	-338	01
0500834-49	25-80-00-01	-158	01	0501146-4	22-10-00-01	-097	01
0500834-5	25-80-00-01	-089	01	0501146-4	22-10-00-03	-028	01
0500834-50	25-80-00-01	-159	01	0501146-4	53-20-00-01	-335	01
0500834-51	25-80-00-01	-160	01	0501146-5	22-10-00-01	-084	01
0500834-52	25-80-00-01	-161	01	0501146-6	53-20-00-01	-336	01
0500834-53	25-80-00-01	-162	01	0501146-7	22-10-00-01	-086	01
0500834-54	25-80-00-01	-163	01	0501146-8	22-10-00-01	-088	01
0500834-55	25-80-00-01	-164	01	0501146-8	22-10-00-03	-023	01
0500838-1	28-10-01-01	-028	01	0501146-9	22-10-00-01	-089	01
0500838-1	28-10-01-01	-028A	01	0501146-9	22-10-00-03	-024	01
0500838-2	28-10-01-01	-029	01	0501154-1	22-10-00-01	-164	NP
0500838-2	28-10-01-01	-029A	01	0501154-1	22-10-00-01	-164A	NP
0500840-1	53-10-02-01	-007B	01	0501154-10	22-10-00-01	-169	01
0500840-1	53-10-02-01	-007E	01	0501154-10	22-10-00-01	-169A	01
0500840-2	53-10-02-01	-008B	01	0501154-11	22-10-00-01	-164B	01
0500840-2	53-10-02-01	-008E	01	0501154-11	22-10-00-01	-164C	01
0500840-201	53-10-02-01	-007A	01	0501154-2	22-10-00-01	-171	01
0500840-201	53-10-02-01	-007D	01	0501154-5	22-10-00-01	-157	01
0500840-202	53-10-02-01	-008A	01	0501154-6	22-10-00-01	-170	02
0500840-202	53-10-02-01	-008D	01	0501154-6	22-10-00-01	-170A	02
0501019-1	09-10-00-01	-001	01	0501154-6	22-10-00-01	-170B	01
0501019-10	09-10-00-01	-008	01	0501154-6	22-10-00-01	-170C	01
0501046-3	53-11-00-02	-026	01	0501154-7	22-10-00-01	-163	01
0501081-1	27-21-00-01	-034	NP	0501164-1	37-10-00-01	-018	02
0501081-1	27-21-00-01	-034A	NP	0501164-1	37-10-00-01	-018A	02
0501081-1	27-21-00-01	-096	02	0501164-1	37-10-00-02	-033	02
0501081-2	27-21-00-01	-038	01	0501164-1	37-10-00-02	-033A	02
0501081-2	27-21-00-01	-101	01	0501169-2	11-N-31-01	-162	02
0501081-3	27-21-00-01	-039	NP	0501169-2	11-N-31-01	-162A	02
0501081-3	27-21-00-01	-039A	NP	0501169-3	11-N-31-01	-163	01
0501081-3	27-21-00-01	-098	01	0501169-3	11-N-31-01	-163A	01
0501081-4	27-21-00-01	-040	01	0501174-2	25-60-01-01	-003	01

CESSNA AIRCRAFT COMPANY
MODEL 172 (SERIES 1996 AND ON)
ILLUSTRATED PARTS CATALOG

PART NUMBER	CH SEC SUBJ FIG	ITEM	REQ	PART NUMBER	CH SEC SUBJ FIG	ITEM	REQ
0501178-2	53-20-00-01	-157	02	0505094-11	11-LQ-25-01	-002	NP
0501178-2	53-20-00-01	-157A	02	0505094-12	11-YR-25-01	-001	02
0501178-4	53-20-00-01	-158	02	0505094-6	11-N-25-01	-002	02
0501178-4	53-20-00-01	-158A	02	0505094-6	11-N-25-01	-002A	02
0501181-7	11-N-22-01	-003	01	0505094-7	11-C-25-01	-001	NP
0501181-7	11-N-22-01	-003A	01	0505094-7	11-C-25-01	-002	NP
0501181-7	11-N-22-01	-004	01	0505094-7	11-N-25-01	-002B	NP
0501181-7	11-N-22-01	-004A	01	0505094-7	11-N-25-01	-002C	NP
0505043-1	11-N-22-01	-001	NP	0505094-8	11-D-25-01	-002	02
0505043-3	11-N-22-01	-001A	01	0505094-8	11-D-25-01	-002A	02
0505043-3	11-N-22-01	-001B	01	0505094-9	11-PP-25-01	-002	02
0505043-4	11-D-22-01	-001	01	0505094-9	11-PP-25-01	-002A	02
0505043-4	11-D-22-01	-002	01	0505095-10	11-N-31-01	-011	01
0505043-5	11-PP-22-01	-001	01	0505095-11	11-D-31-01	-004	01
0505043-5	11-PP-22-01	-001A	01	0505095-11	11-D-31-01	-004A	01
0505043-6	11-F-22-01	-001	01	0505095-12	11-F-31-01	-004B	NP
0505043-6	11-F-22-01	-002	01	0505095-12	11-F-31-01	-004C	NP
0505043-7	11-LQ-22-01	-001	NP	0505095-13	11-F-31-01	-004	01
0505043-8	11-YR-33-01	-001	01	0505095-13	11-F-31-01	-004A	01
0505048-1	11-D-31-01	-075	01	0509069-11	71-11-00-01	-001A	NP
0505048-1	11-D-31-01	-075A	01	0509069-11	71-11-00-01	-001B	NP
0505048-10	11-EC-24-01	-001	01	0509069-15	71-11-00-01	-001C	01
0505048-10	11-LQ-24-01	-001	01	0509069-15	71-11-00-01	-001D	01
0505048-10	11-LQ-24-01	-001A	01	0509069-4	71-11-00-01	-011	01
0505048-11	11-PP-22-01	-002	01	0509069-7	71-11-00-01	-001	01
0505048-11	11-PP-22-01	-002A	01	0509070-4	71-11-00-01	-021	01
0505048-14	11-D-31-01	-006	01	0509070-6	71-11-00-01	-020	NP
0505048-2	11-D-31-01	-005	01	0509070-8	71-11-00-01	-020A	01
0505048-3	11-D-31-01	-076	01	0509070-8	71-11-00-01	-020B	01
0505048-3	11-D-31-01	-076A	01	0509071-1	71-11-00-01	-096	01
0505048-36	11-N-31-01	-009	01	0509071-2	71-11-00-01	-101	01
0505048-4	11-D-24-01	-001	01	0509072-1	71-11-00-01	-075	01
0505048-4	11-D-24-01	-001A	01	0509072-3	71-11-00-01	-086	01
0505048-48	11-YR-24-01	-002	01	0509072-4	71-11-00-01	-081	01
0505048-49	11-YR-25-01	-003	01	0509073-4	71-11-00-01	-105	01
0505048-5	11-D-25-01	-001	02	0509073-6	71-11-00-01	-111	01
0505048-5	11-D-25-01	-001A	02	0509073-7	71-11-00-01	-105A	01
0505048-50	11-YR-25-01	-002	02	0509073-7	71-11-00-01	-105B	01
0505048-6	11-PP-25-01	-001	02	0509074-1	71-11-00-01	-087	01
0505048-6	11-PP-25-01	-001A	02	0509074-2	71-11-00-01	-095	01
0505048-8	11-F-31-01	-005	01	0509075-1	71-11-00-01	-115	01
0505048-8	11-F-31-01	-005A	01	0509075-3	71-11-00-01	-115A	01
0505048-9	11-EC-25-01	-001	02	0509075-3	71-11-00-01	-115B	01
0505048-9	11-LQ-25-01	-001	02	0509079-1	71-11-00-01	-155	01
0505048-9	11-LQ-25-01	-001A	02	0509079-2	71-11-00-01	-171	01
0505087-23	11-N-31-01	-075A	01	0510105-144	27-30-01-01	-090	01
0505087-23	11-N-31-01	-075B	01	0510105-145	27-30-01-01	-092	01
0505087-25	11-D-31-01	-001	01	0510105-193	27-50-00-01	-075	01
0505087-25	11-D-31-01	-001A	01	0510105-194	27-50-00-01	-076	01
0505087-26	11-D-31-01	-002	01	0510105-208	27-30-00-01	-009A	02
0505087-26	11-D-31-01	-002A	01	0510105-238	27-20-00-01	-002A	01
0505087-27	11-D-31-01	-003	01	0510105-239	27-20-00-01	-001A	01
0505087-27	11-D-31-01	-003A	01	0510105-260	27-10-00-03	-003A	01
0505087-3	11-N-31-01	-075	01	0510105-260	27-10-00-03	-005A	01
0505087-31	11-F-31-01	-001	01	0510105-262	27-10-00-03	-004A	01
0505087-31	11-F-31-01	-001A	01	0510105-262	27-10-00-03	-006A	01
0505087-32	11-F-31-01	-002	01	0510105-264	27-10-00-03	-007A	01
0505087-32	11-F-31-01	-002A	01	0510105-265	27-10-00-03	-008A	01
0505087-33	11-F-31-01	-003	01	0510105-290	27-30-00-01	-014A	01
0505087-33	11-F-31-01	-003A	01	0510105-291	27-30-00-01	-013A	01
0505094-10	11-F-25-01	-001	02	0510105-308	27-30-00-01	-009	02
0505094-10	11-F-25-01	-002	02	0510105-338	27-20-00-01	-002	01

CESSNA AIRCRAFT COMPANY
MODEL 172 (SERIES 1996 AND ON)
ILLUSTRATED PARTS CATALOG

PART NUMBER	CH SEC SUBJ FIG	ITEM	REQ	PART NUMBER	CH SEC SUBJ FIG	ITEM	REQ
0510105-339	27-20-00-01	-001	01	0511238-7	52-10-00-01	-012C	01
0510105-341	27-10-00-01	-075	01	0511238-8	52-10-00-02	-012B	01
0510105-342	27-10-00-01	-084	01	0511238-8	52-10-00-02	-012C	01
0510105-343	27-10-00-01	-083	01	0511254-1	53-10-00-01	-084	01
0510105-344	27-10-00-01	-091	01	0511280-1	52-10-00-01	-010	01
0510105-360	27-10-00-03	-003	01	0511280-1	52-10-00-01	-010A	01
0510105-360	27-10-00-03	-005	01	0511280-2	52-10-00-02	-010	01
0510105-362	27-10-00-03	-004	01	0511280-2	52-10-00-02	-010A	01
0510105-362	27-10-00-03	-006	01	0511280-5	52-10-00-01	-010B	01
0510105-364	27-10-00-03	-007	01	0511280-5	52-10-00-01	-010C	01
0510105-365	27-10-00-03	-008	01	0511280-6	52-10-00-02	-010B	01
0510105-378	32-32-00-02	-027	01	0511280-6	52-10-00-02	-010C	01
0510105-390	27-30-00-01	-014	01	0511291-3	53-10-00-01	-034	01
0510105-391	27-30-00-01	-013	01	0511291-4	53-10-00-01	-033	01
0510105-44	27-30-01-01	-091	01	0511292-3	53-10-00-01	-095	01
0510105-45	27-30-01-01	-093	01	0511295-5	53-10-00-01	-085	01
0510105-93	27-50-00-01	-075A	01	0511333-2	53-10-00-01	-020	01
0510105-94	27-50-00-01	-076A	01	0511336-1	27-21-00-01	-082	03
0510110-0	53-10-00-02	-185	02	0511336-2	27-21-00-01	-083	01
0510128-0	53-10-00-02	-093	02	0511461-1	52-10-00-01	-007	01
0510128-0	53-11-00-04	-017	02	0511461-1	52-10-00-02	-007	01
0510201-9	53-10-00-01	-081	01	0511463-1	52-10-00-01	-004	02
0510212-1	53-20-00-01	-016	04	0511463-1	52-10-00-02	-004	02
0510212-1	53-20-00-01	-112	02	0511464-1	52-10-00-01	-008	01
0511000-73	53-10-00-01	-022	01	0511464-1	52-10-00-02	-008	01
0511000-74	53-10-00-01	-021	01	0511469-1	52-10-00-01	-009	01
0511000-75	53-10-00-01	-011	01	0511469-2	52-10-00-02	-009	01
0511033-30	25-20-10-01	-088	01	0511479-2	53-10-00-01	-111	01
0511033-30	25-20-10-02	-079	05	0511497-7	53-10-00-01	-075	01
0511033-30	25-20-10-03	-159	01	0511498-1	53-10-00-01	-076	01
0511033-7	25-20-10-01	-086	02	0511499-1	53-10-00-01	-077	01
0511039-3	53-10-00-01	-014	01	0511783-1	27-10-00-01	-016	01
0511039-3	53-10-00-01	-014A	01	0511783-1	27-10-00-01	-016A	01
0511039-4	53-10-00-01	-015	01	0511783-3	27-10-00-01	-016B	01
0511039-4	53-10-00-01	-015A	01	0511783-3	27-10-00-01	-016C	01
0511039-5	53-10-00-01	-014B	01	0511784-1	27-10-00-01	-018	01
0511039-5	53-10-00-01	-014C	01	0511785-1	27-10-00-01	-031	02
0511039-6	53-10-00-01	-015B	01	0511786-1	27-10-00-01	-024	01
0511039-6	53-10-00-01	-015C	01	0511786-2	27-10-00-01	-027	01
0511040-1	53-00-00-01	-006	01	0511786-2	27-10-00-01	-027A	01
0511040-2	53-00-00-01	-007	01	0511786-3	27-10-00-01	-027B	01
0511042-3	52-10-00-01	-107B	01	0511786-3	27-10-00-01	-027C	01
0511042-3	52-10-00-01	-107C	01	0511787-1	27-10-00-01	-019	01
0511042-3	52-10-00-02	-107B	01	0511788-1	27-10-00-01	-032	01
0511042-3	52-10-00-02	-107C	01	0511794-10	53-11-00-03	-001E	01
0511042-5	52-10-00-01	-113B	01	0511794-10	53-11-00-03	-001F	01
0511042-5	52-10-00-01	-113C	01	0511794-7	53-11-00-03	-001	01
0511042-6	52-10-00-02	-113B	01	0511794-8	53-11-00-03	-001A	NP
0511042-6	52-10-00-02	-113C	01	0511794-8	53-11-00-03	-001B	NP
0511133-1	53-20-00-01	-081	01	0511794-9	53-11-00-03	-001C	01
0511133-1	53-20-00-01	-083	01	0511794-9	53-11-00-03	-001D	01
0511150-0	53-10-00-01	-030	01	0511795-10	53-11-00-03	-009	01
0511150-1	53-10-00-01	-029	01	0511795-2	53-11-00-03	-010	01
0511162-11	53-11-00-01	-002	01	0511795-9	53-11-00-03	-008	01
0511195-1	28-21-00-01	-085	01	0511796-14	53-11-00-03	-077	NP
0511237-1	52-10-00-01	-011	01	0511796-15	53-11-00-03	-075	01
0511237-2	52-10-00-02	-011	01	0511796-16	53-11-00-03	-076	NP
0511238-1	52-10-00-01	-012	01	0511796-16	53-11-00-03	-076A	NP
0511238-1	52-10-00-01	-012A	01	0511796-17	53-11-00-03	-075A	NP
0511238-2	52-10-00-02	-012	01	0511796-17	53-11-00-03	-075B	NP
0511238-2	52-10-00-02	-012A	01	0511796-18	53-11-00-03	-078	NP
0511238-7	52-10-00-01	-012B	01	0511796-18	53-11-00-03	-078A	NP

CESSNA AIRCRAFT COMPANY
MODEL 172 (SERIES 1996 AND ON)
 ILLUSTRATED PARTS CATALOG

PART NUMBER	CH SEC SUBJ FIG	ITEM	REQ	PART NUMBER	CH SEC SUBJ FIG	ITEM	REQ
0511796-19	53-11-00-03	-075C	NP	0511812-4	53-10-00-01	-089A	01
0511796-19	53-11-00-03	-075D	NP	0511812-5	53-10-00-01	-092	01
0511796-20	53-11-00-03	-078B	NP	0511812-6	53-10-00-01	-091	01
0511796-20	53-11-00-03	-078C	NP	0511813-5	53-10-00-01	-119	01
0511796-21	53-11-00-03	-075E	01	0511813-5	53-11-00-03	-006	01
0511796-21	53-11-00-03	-075F	01	0511813-6	53-10-00-01	-120	01
0511796-22	53-11-00-03	-076B	01	0511813-6	53-11-00-03	-007	01
0511796-22	53-11-00-03	-076C	01	0511813-7	53-10-00-01	-096	01
0511796-23	53-11-00-03	-078D	01	0511813-8	53-10-00-01	-097	01
0511796-23	53-11-00-03	-078E	01	0511814-1	53-10-00-01	-107	01
0511797-2	56-60-00-01	-004	02	0511814-1	53-10-00-01	-107A	01
0511798-11	53-10-00-01	-004F	01	0511814-2	53-10-00-01	-110	01
0511798-11	53-10-00-01	-004G	01	0511814-2	53-10-00-01	-110A	01
0511798-11	56-60-00-01	-010E	01	0511814-5	53-10-00-01	-107B	01
0511798-11	56-60-00-01	-010F	01	0511814-5	53-10-00-01	-107C	01
0511798-3	53-10-00-01	-004	NP	0511814-6	53-10-00-01	-110B	01
0511798-3	53-10-00-01	-004A	NP	0511814-6	53-10-00-01	-110C	01
0511798-3	56-60-00-01	-010	NP	0511814-7	53-10-00-01	-107D	01
0511798-3	56-60-00-01	-010A	NP	0511814-7	53-10-00-01	-107E	01
0511798-3	56-60-00-01	-010B	NP	0511814-8	53-10-00-01	-110D	01
0511798-4	53-10-00-01	-005	NP	0511814-8	53-10-00-01	-110E	01
0511798-4	53-10-00-01	-005A	NP	0511815-1	53-11-00-03	-002	01
0511798-4	56-60-00-01	-012	NP	0511815-2	53-11-00-03	-003	01
0511798-4	56-60-00-01	-012A	NP	0511816-1	53-10-00-01	-035	01
0511798-4	56-60-00-01	-012B	NP	0511816-1	53-20-00-01	-317	01
0511798-7	53-10-00-01	-004B	NP	0511816-2	34-51-00-01	-004	01
0511798-7	53-10-00-01	-004C	NP	0511816-4	53-20-00-01	-320	01
0511798-8	53-10-00-01	-005B	01	0511816-4	53-20-00-01	-320A	01
0511798-8	53-10-00-01	-005C	01	0511816-5	53-20-00-01	-322	01
0511798-8	56-60-00-01	-012C	01	0511817-1	34-50-01-01	-009	01
0511798-8	56-60-00-01	-012D	01	0511817-1	53-10-00-01	-098	01
0511798-9	53-10-00-01	-004D	NP	0511819-2	25-60-00-01	-005	01
0511798-9	53-10-00-01	-004E	NP	0511819-2	53-20-00-01	-318	01
0511798-9	56-60-00-01	-010C	NP	0511819-2	53-20-00-01	-318A	01
0511798-9	56-60-00-01	-010D	NP	0511820-2	53-20-00-01	-228	01
0511799-3	53-10-00-01	-007	01	0511820-2	53-20-00-01	-228A	01
0511799-3	56-60-00-01	-014	01	0511821-1	34-50-02-01	-008	01
0511800-15	56-60-00-01	-003	01	0511821-1	34-50-03-01	-002	02
0511800-15	56-60-00-01	-003A	01	0511821-1	53-20-00-01	-319	01
0511800-15	56-60-00-01	-003B	01	0511823-1	53-20-00-01	-318B	01
0511800-19	56-60-00-01	-003C	01	0511823-1	53-20-00-01	-318C	01
0511800-22	56-60-00-01	-003D	NP	0511826-1	53-11-00-02	-046	02
0511800-24	56-60-00-01	-003E	01	0511826-1	53-11-00-02	-046A	02
0511800-26	56-60-00-01	-003F	01	0511826-3	52-10-00-01	-117	01
0511800-9	56-60-00-01	-015	01	0511826-3	52-10-00-01	-117A	01
0511807-1	53-11-00-03	-081	01	0511826-4	52-10-00-01	-118	01
0511808-1	53-11-00-03	-082	01	0511826-4	52-10-00-01	-118A	01
0511809-4	53-10-00-01	-003	NP	0511826-5	52-10-00-01	-115	01
0511809-4	53-10-00-01	-003A	NP	0511826-5	52-10-00-01	-115A	01
0511809-5	53-10-00-01	-003B	NP	0511826-6	52-10-00-01	-116	01
0511809-5	53-10-00-01	-003C	NP	0511826-6	52-10-00-01	-116A	01
0511809-6	53-10-00-01	-003D	NP	0511827-1	53-10-00-01	-008	NP
0511809-6	53-10-00-01	-003E	NP	0511827-1	53-10-00-01	-008B	NP
0511809-7	53-10-00-01	-003F	01	0511827-1	56-60-00-01	-016	NP
0511809-7	53-10-00-01	-003G	01	0511827-3	53-10-00-01	-008A	01
0511809-8	53-10-00-01	-003H	NP	0511827-3	53-10-00-01	-008C	01
0511809-8	53-10-00-01	-003J	NP	0511827-3	56-60-00-01	-016A	01
0511809-9	53-10-00-01	-003K	01	0511828-1	53-10-00-01	-107F	01
0511809-9	53-10-00-01	-003L	01	0511828-2	53-10-00-01	-110F	01
0511811-1	53-10-00-01	-031	01	0511828-3	53-00-00-01	-022	03
0511811-2	53-10-00-01	-032	01	0512001-10	53-21-00-01	-014	01
0511812-4	53-10-00-01	-089	01	0512001-7	53-21-00-01	-011	01

CESSNA AIRCRAFT COMPANY
MODEL 172 (SERIES 1996 AND ON)
 ILLUSTRATED PARTS CATALOG

PART NUMBER	CH SEC SUBJ FIG	ITEM	REQ	PART NUMBER	CH SEC SUBJ FIG	ITEM	REQ
0512001-8	53-21-00-01	-012	01	0512022-1	53-20-00-01	-024	01
0512001-9	53-21-00-01	-013	01	0512022-3	53-20-00-01	-026	01
0512008-11	53-21-00-01	-001B	01	0512023-1	53-20-00-01	-028	01
0512008-11	53-21-00-01	-001C	01	0512023-2	53-20-00-01	-029	01
0512008-12	53-21-00-01	-001D	NP	0512023-4	53-20-00-01	-032	01
0512008-12	53-21-00-01	-001E	NP	0512023-5	53-20-00-01	-030	01
0512008-13	53-21-00-01	-001F	01	0512026-16	53-20-00-01	-033	01
0512008-13	53-21-00-01	-001G	01	0512026-20	53-20-00-01	-033A	01
0512008-4	53-21-00-01	-018	01	0512027-1	53-00-00-01	-004	01
0512008-9	53-21-00-01	-001	01	0512027-2	53-00-00-01	-005	01
0512008-9	53-21-00-01	-001A	01	0512028-5	53-20-00-01	-039	01
0512009-10	53-21-00-01	-020	02	0512028-6	53-20-00-01	-040	01
0512010-19	53-20-00-01	-236	01	0512029-11	53-20-00-01	-041	01
0512010-28	53-20-00-01	-237	01	0512029-12	53-20-00-01	-076	01
0512010-35	53-20-00-01	-227	01	0512029-15	53-20-00-01	-080A	01
0512010-36	53-20-00-01	-225	01	0512029-16	53-20-00-01	-082A	01
0512010-36	53-20-00-01	-225A	01	0512029-17	53-20-00-01	-080	01
0512010-37	53-20-00-01	-225B	01	0512029-18	53-20-00-01	-082	01
0512010-37	53-20-00-01	-225C	01	0512029-3	53-20-00-01	-078	01
0512010-38	53-20-00-01	-225D	01	0512029-4	53-20-00-01	-079	01
0512010-38	53-20-00-01	-225E	01	0512030-32	56-20-00-01	-004	01
0512010-4	53-20-00-01	-235	01	0512032-5	56-20-00-01	-008	01
0512011-8	53-20-00-01	-302	01	0512034-15	53-20-00-01	-150	01
0512012-2	53-20-00-01	-301	01	0512034-15	53-20-00-01	-150A	01
0512012-2	53-20-00-01	-301A	01	0512034-16	53-20-00-01	-156	01
0512012-3	53-20-00-01	-301B	01	0512034-16	53-20-00-01	-156A	01
0512012-3	53-20-00-01	-301C	01	0512034-17	53-20-00-01	-150B	NP
0512014-2	53-20-00-01	-309	01	0512034-17	53-20-00-01	-150C	NP
0512015-15	53-20-00-01	-243	01	0512034-18	53-20-00-01	-156B	01
0512015-15	53-20-00-01	-243A	01	0512034-18	53-20-00-01	-156C	01
0512015-16	53-20-00-01	-238	01	0512034-19	53-20-00-01	-150D	01
0512015-16	53-20-00-01	-238A	01	0512034-19	53-20-00-01	-150E	01
0512015-17	53-20-00-01	-239	01	0512034-20	53-20-00-01	-156D	01
0512015-19	53-20-00-01	-304	01	0512034-20	53-20-00-01	-156E	01
0512015-20	53-20-00-01	-241	01	0512037-10	53-20-00-01	-086	01
0512015-20	53-20-00-01	-241A	01	0512037-4	53-20-00-01	-089	01
0512015-21	53-20-00-01	-243B	01	0512037-7	53-20-00-01	-087	01
0512015-21	53-20-00-01	-243C	01	0512037-9	53-20-00-01	-085	01
0512015-22	53-20-00-01	-244	01	0512039-12	53-20-00-01	-111	01
0512015-22	53-20-00-01	-244A	01	0512039-7	53-20-00-01	-109	01
0512015-23	53-20-00-01	-238B	01	0512039-8	53-20-00-01	-110	01
0512015-23	53-20-00-01	-238C	01	0512040-1	53-20-00-01	-097	01
0512015-24	53-20-00-01	-241B	01	0512040-2	53-20-00-01	-098	01
0512015-24	53-20-00-01	-241C	01	0512040-5	56-20-00-01	-009	01
0512015-4	53-20-00-01	-246	01	0512041-4	53-20-00-01	-316	01
0512015-5	53-10-00-04	-001	01	0512041-5	53-20-00-01	-315	01
0512015-8	53-20-00-01	-240	01	0512045-3	53-20-00-01	-306	02
0512016-14	53-20-00-01	-251	01	0512058-3	53-10-00-01	-093	01
0512016-3	53-20-00-01	-300	01	0512058-4	53-10-00-01	-094	01
0512019-1	53-20-00-01	-303	01	0512059-1	53-20-00-01	-310	02
0512020-3	53-20-00-01	-101	01	0512060-1	53-20-00-01	-250	01
0512020-4	53-20-00-01	-102	01	0512064-5	53-20-00-01	-100	01
0512020-7	53-20-00-01	-101A	01	0512064-5	53-20-00-01	-100A	01
0512020-7	53-20-00-01	-101B	01	0512064-7	53-20-00-01	-100B	01
0512020-8	53-20-00-01	-102A	01	0512064-7	53-20-00-01	-100C	01
0512020-8	53-20-00-01	-102B	01	0512064-9	53-20-00-01	-100D	01
0512021-3	53-20-00-01	-017	01	0512064-9	53-20-00-01	-100E	01
0512021-4	53-20-00-01	-020	01	0512065-1	53-20-00-01	-153	01
0512021-5	53-20-00-01	-017A	01	0512065-2	53-20-00-01	-154	01
0512021-5	53-20-00-01	-017B	01	0512065-3	53-20-00-01	-015	01
0512021-6	53-20-00-01	-021A	01	0512066-1	52-30-00-01	-021	01
0512021-6	53-20-00-01	-021B	01	0512071-1	53-20-00-01	-248	01

CESSNA AIRCRAFT COMPANY
MODEL 172 (SERIES 1996 AND ON)
 ILLUSTRATED PARTS CATALOG

PART NUMBER	CH SEC SUBJ FIG	ITEM	REQ	PART NUMBER	CH SEC SUBJ FIG	ITEM	REQ
0512071-1	53-20-00-01	-248A	01	0512159-4	53-21-00-01	-016	01
0512071-4	53-20-00-01	-248B	01	0512159-4	53-21-00-01	-016A	01
0512071-4	53-20-00-01	-248C	01	0512159-5	53-21-00-01	-016B	01
0512074-1	53-20-00-01	-113	02	0512159-5	53-21-00-01	-016C	01
0512074-1	53-20-00-01	-113A	02	0512160-3	53-20-00-01	-252	03
0512074-2	53-20-00-01	-114	01	0512160-5	53-21-00-01	-010	01
0512074-2	53-20-00-01	-114A	01	0512165-1	53-21-00-01	-017	02
0512074-6	53-11-00-01	-034	02	0512172-1	27-50-00-01	-091	01
0512074-6	53-11-00-01	-034A	02	0512172-1	27-50-00-01	-091A	01
0512100-11	53-20-00-01	-005	01	0512172-1	27-50-00-01	-094	01
0512100-12	53-20-00-01	-006	01	0512172-3	27-50-00-01	-092	01
0512100-13	53-20-00-01	-011	01	0512172-3	27-50-00-01	-092A	01
0512100-19	53-20-00-01	-007	01	0512176-1	53-20-00-01	-094	01
0512100-20	53-20-00-01	-008	01	0512176-2	53-20-00-01	-096	01
0512100-38	53-20-00-01	-012	01	0512177-1	53-20-00-01	-091	01
0512100-49	53-20-00-01	-004	01	0512177-2	53-20-00-01	-092	01
0512100-51	53-20-00-01	-103	02	0512178-1	53-20-00-01	-093	01
0512100-7	53-20-00-01	-009	01	0512178-2	53-20-00-01	-095	01
0512100-8	53-20-00-01	-010	01	0512180-10	56-20-00-01	-002	01
0512107-13	53-20-00-01	-151	03	0512180-9	56-20-00-01	-001	01
0512107-42	53-20-00-01	-152	04	0512183-5	53-11-00-02	-004	01
0512122-0	53-11-00-02	-013	02	0512183-6	53-11-00-02	-007	01
0512123-0	57-00-00-01	-010	02	0512185-1	53-11-00-03	-097	01
0512124-15	53-11-00-03	-011	01	0512186-21	53-11-00-02	-003	01
0512124-79	53-11-00-02	-018	01	0512186-22	53-11-00-02	-006	01
0512124-80	53-11-00-02	-019	01	0512186-33	53-11-00-02	-002	01
0512124-97	53-11-00-02	-008	01	0512186-34	53-11-00-02	-005	01
0512132-15	53-11-00-03	-083	01	0512186-37	53-11-00-02	-001	NP
0512132-17	53-11-00-03	-085	01	0512186-37	53-11-00-02	-001A	NP
0512132-4	53-11-00-03	-084	01	0512186-38	53-11-00-02	-001B	01
0512132-4	53-11-00-03	-086	01	0512186-38	53-11-00-02	-001C	01
0512132-5	53-11-00-03	-087	01	0512187-5	53-11-00-03	-088	01
0512134-2	53-11-00-03	-096	01	0512187-6	53-11-00-03	-089	01
0512134-2	53-11-00-03	-096A	01	0512188-1	53-20-00-01	-022	01
0512134-3	53-11-00-03	-098	01	0512188-2	53-20-00-01	-021	01
0512134-3	53-11-00-03	-098A	01	0512189-1	53-20-00-01	-090	01
0512134-4	53-11-00-03	-096B	01	0512189-7	53-20-00-01	-090A	01
0512134-4	53-11-00-03	-096C	01	0512190-1	53-20-00-01	-075	02
0512134-4	53-11-00-03	-098B	01	0512192-1	53-11-00-02	-033	02
0512134-4	53-11-00-03	-098C	01	0512193-1	53-20-01-01	-001B	01
0512135-0	27-10-00-03	-026	01	0512193-1	53-20-01-01	-001C	01
0512135-0	27-10-00-03	-026A	01	0512193-17	53-20-01-01	-023	01
0512135-3	27-10-00-03	-026B	01	0512193-17	53-20-01-01	-023A	01
0512135-3	27-10-00-03	-026C	01	0512193-18	53-20-01-01	-021	01
0512136-0	27-10-00-03	-102	01	0512193-18	53-20-01-01	-021A	01
0512136-0	27-10-00-03	-102A	01	0512193-22	53-20-01-01	-001	01
0512137-0	53-11-00-02	-022	01	0512193-22	53-20-01-01	-001A	01
0512138-0	27-10-00-03	-101	01	0512193-23	53-20-01-01	-021B	01
0512138-3	27-10-00-03	-085	01	0512193-23	53-20-01-01	-021C	01
0512139-2	53-11-00-02	-021	01	0512193-24	53-20-01-01	-023B	01
0512139-3	53-11-00-02	-020	01	0512193-24	53-20-01-01	-023C	01
0512156-1	53-21-00-01	-015	01	0512193-25	53-20-01-01	-013B	01
0512157-10	53-21-00-01	-002	01	0512193-25	53-20-01-01	-013C	01
0512157-10	53-21-00-01	-002A	01	0512193-26	53-20-01-01	-016B	01
0512157-11	53-21-00-01	-003	01	0512193-26	53-20-01-01	-016C	01
0512157-11	53-21-00-01	-003A	01	0512193-27	53-20-01-01	-015B	01
0512157-14	53-21-00-01	-002B	NP	0512193-27	53-20-01-01	-015C	01
0512157-14	53-21-00-01	-002C	NP	0512193-28	53-20-01-01	-018B	01
0512157-15	53-21-00-01	-003B	NP	0512193-28	53-20-01-01	-018C	01
0512157-15	53-21-00-01	-003C	NP	0512193-3	53-20-01-01	-010B	01
0512157-3	53-21-00-01	-004	01	0512193-3	53-20-01-01	-010C	01
0512157-3	53-21-00-01	-004A	01	0512193-4	53-20-01-01	-010	01

CESSNA AIRCRAFT COMPANY
MODEL 172 (SERIES 1996 AND ON)
ILLUSTRATED PARTS CATALOG

PART NUMBER	CH SEC SUBJ FIG	ITEM	REQ	PART NUMBER	CH SEC SUBJ FIG	ITEM	REQ
0512193-4	53-20-01-01	-010A	01	0512250-6	53-20-00-01	-329C	01
0512193-5	53-20-01-01	-013	01	0512250-7	53-20-00-01	-328B	01
0512193-5	53-20-01-01	-013A	01	0512250-7	53-20-00-01	-328C	01
0512193-6	53-20-01-01	-016	01	0512250-8	53-20-00-01	-331B	01
0512193-6	53-20-01-01	-016A	01	0512250-8	53-20-00-01	-331C	01
0512193-7	53-20-01-01	-015	01	0512250-9	53-20-00-01	-330B	01
0512193-7	53-20-01-01	-015A	01	0512250-9	53-20-00-01	-330C	01
0512193-8	53-20-01-01	-018	01	0512252-2	53-20-00-01	-329D	01
0512193-8	53-20-01-01	-018A	01	0512252-2	53-20-00-01	-329E	01
0512194-1	53-20-01-01	-006	02	0512252-3	53-20-00-01	-328D	01
0512194-2	53-20-01-01	-007	03	0512252-3	53-20-00-01	-328E	01
0512194-4	53-20-01-01	-008	NP	0512252-4	53-20-00-01	-331D	01
0512194-4	53-20-01-01	-008A	NP	0512252-4	53-20-00-01	-331E	01
0512194-6	53-20-01-01	-005	01	0512252-5	53-20-00-01	-330D	01
0512194-7	53-20-01-01	-008B	01	0512252-5	53-20-00-01	-330E	01
0512194-7	53-20-01-01	-008C	01	0512253-1	27-50-00-01	-093	01
0512195-11	53-20-01-01	-019	NP	0512253-1	27-50-00-01	-093A	01
0512195-11	53-20-01-01	-019A	NP	0512253-2	27-50-00-01	-095	01
0512195-12	53-20-01-01	-019B	NP	0512254-1	53-11-00-02	-042B	01
0512195-12	53-20-01-01	-019C	NP	0512254-1	53-11-00-02	-042C	01
0512195-13	53-20-01-01	-019D	01	0512254-2	53-11-00-02	-043B	01
0512195-13	53-20-01-01	-019E	01	0512254-2	53-11-00-02	-043C	01
0512195-23	53-20-01-01	-019F	01	0512255-1	53-21-00-01	-002D	01
0512195-23	53-20-01-01	-019G	01	0512255-1	53-21-00-01	-002E	01
0512195-24	53-20-01-01	-019H	01	0512255-2	53-21-00-01	-003D	01
0512195-24	53-20-01-01	-019J	01	0512255-2	53-21-00-01	-003E	01
0512198-1	53-20-00-01	-034	01	0512255-3	53-21-00-01	-004B	01
0512198-2	53-20-00-01	-035	01	0512255-3	53-21-00-01	-004C	01
0512199-1	53-20-00-01	-105	01	0512256-2	53-20-00-01	-325	01
0512199-2	53-20-00-01	-106	01	0512256-2	53-20-00-01	-325A	01
0512200-2	52-30-00-01	-005	02	0512256-4	53-20-00-01	-323	01
0512201-1	53-20-00-01	-088	01	0512256-4	53-20-00-01	-323A	01
0512232-1	53-21-00-01	-005	02	0513000-10	53-10-00-02	-026	01
0512237-2	53-20-00-01	-308	01	0513000-9	53-10-00-02	-027	01
0512238-1	53-11-00-02	-042	01	0513038-11	53-10-00-02	-039	01
0512238-1	53-11-00-02	-042A	01	0513038-12	53-10-00-02	-038	01
0512238-2	53-11-00-02	-043	01	0513053-5	53-10-00-02	-032	01
0512238-2	53-11-00-02	-043A	01	0513053-6	53-10-00-02	-033	01
0512239-1	53-11-00-02	-037	02	0513053-6	53-10-00-02	-033A	01
0512239-2	53-11-00-02	-039	01	0513053-8	53-10-00-02	-033B	01
0512242-1	09-10-00-01	-005	NP	0513053-8	53-10-00-02	-033C	01
0512242-1	09-10-00-01	-005A	NP	0513057-1	25-23-00-02	-011	01
0512247-1	53-00-00-01	-019	02	0513057-1	25-23-00-03	-016	01
0512247-1	53-11-00-03	-090	01	0513058-4	25-23-00-02	-012	01
0512247-2	53-11-00-03	-091	01	0513058-4	25-23-00-02	-012A	01
0512247-3	53-11-00-03	-092	02	0513058-5	25-23-00-02	-012B	01
0512247-4	53-11-00-03	-093	02	0513058-5	25-23-00-02	-012C	01
0512247-6	53-11-00-03	-099	02	0513058-5	25-23-00-03	-015	01
0512248-1	53-00-00-01	-018	01	0513089-203	27-10-00-01	-042A	AR
0512248-1	53-00-00-01	-018A	01	0513089-3	27-10-00-01	-042	AR
0512248-2	53-00-00-01	-017	01	0513089-3	53-10-00-02	-086	01
0512248-2	53-00-00-01	-017A	01	0513089-3	53-10-00-02	-086A	01
0512249-1	34-53-00-02	-002	01	0513089-4	53-10-00-02	-086B	01
0512250-2	53-20-00-01	-329	01	0513089-4	53-10-00-02	-086C	01
0512250-2	53-20-00-01	-329A	01	0513096-9	53-10-00-02	-171	01
0512250-3	53-20-00-01	-328	01	0513109-11	53-10-01-01	-095	01
0512250-3	53-20-00-01	-328A	01	0513109-11	53-10-01-01A	-037	01
0512250-4	53-20-00-01	-331	NP	0513109-12	53-10-01-01	-092	01
0512250-4	53-20-00-01	-331A	NP	0513109-12	53-10-01-01	-092A	01
0512250-5	53-20-00-01	-330	NP	0513109-15	53-10-01-01	-100	01
0512250-5	53-20-00-01	-330A	NP	0513109-15	53-10-01-01	-100A	01
0512250-6	53-20-00-01	-329B	01	0513109-21	25-20-10-01	-089	01

CESSNA AIRCRAFT COMPANY
MODEL 172 (SERIES 1996 AND ON)
 ILLUSTRATED PARTS CATALOG

PART NUMBER	CH SEC SUBJ FIG	ITEM	REQ	PART NUMBER	CH SEC SUBJ FIG	ITEM	REQ
0513109-21	25-20-10-02	-078	01	0513368-10	53-22-00-01A	-002	01
0513109-21	25-20-10-03	-157	01	0513368-22	53-22-00-02	-004	01
0513109-23	53-10-01-01	-030	01	0513368-23	53-22-00-02	-002	01
0513109-23	53-10-01-01A	-016	01	0513368-26	53-22-00-02	-001	01
0513109-24	53-10-01-01	-098	01	0513368-30	53-22-00-02	-012	01
0513109-24	53-10-01-01	-098A	01	0513368-32	53-22-00-02	-013	07
0513109-66	53-10-01-01	-024	01	0513368-33	53-22-00-02	-001A	NP
0513109-66	53-10-01-01A	-040	01	0513368-33	53-22-00-02	-001B	NP
0513109-69	53-10-01-01	-029	01	0513368-34	53-22-00-02	-001C	01
0513109-69	53-10-01-01A	-025	01	0513368-34	53-22-00-02	-001D	01
0513109-7	53-10-01-01	-097	01	0513368-8	53-22-00-01	-012	01
0513109-70	53-10-01-01	-028	01	0513368-8	53-22-00-01A	-003	01
0513109-70	53-10-01-01A	-017	01	0513369-1	53-10-00-02	-040	01
0513109-8	53-10-01-01	-090	01	0513369-2	53-10-00-02	-041	01
0513109-8	53-10-01-01	-090A	01	0513370-1	27-30-00-01	-001	01
0513109-9	53-10-01-01	-096	01	0513372-1	53-11-00-04	-018	01
0513109-9	53-10-01-01A	-034	01	0513372-2	53-11-00-04	-019	01
0513109-90	53-10-01-01	-105	01	0513375-10	53-10-00-02	-008	01
0513137-3	53-10-00-02	-155	01	0513375-11	53-10-00-02	-009	01
0513137-4	53-10-00-02	-156	01	0513376-1	53-11-00-04	-015	01
0513154-1	32-32-00-02	-049	01	0513378-2	53-10-00-02	-157	01
0513208-1	33-44-00-01	-015	01	0513386-1	21-40-00-01	-018	01
0513230-36	56-10-00-01	-006	01	0513386-10	21-40-00-01	-019	01
0513230-42	56-10-00-01	-001	01	0513386-10	21-40-00-01	-019A	01
0513238-1	21-40-00-01	-040	02	0513386-7	21-40-00-01	-020	01
0513252-1	28-21-00-01	-081	01	0513386-8	21-40-00-01	-021	01
0513264-1	53-10-00-02	-168	01	0513399-1	53-10-00-01	-010	02
0513267-1	21-40-00-01	-025	01	0513414-1	27-10-00-01	-096	01
0513288-1	33-10-01-01	-032	01	0513414-1	27-10-00-01	-106	01
0513294-2	53-10-00-03	-013	01	0513414-1	27-10-00-01	-106A	01
0513294-2	53-10-00-03	-013A	02	0513418-1	53-10-02-01	-001B	01
0513294-7	53-10-00-02	-150	01	0513418-1	53-10-02-01	-001E	01
0513312-2	53-10-00-01	-013	01	0513418-2	53-10-02-01	-002B	01
0513312-2	56-10-00-01	-004	01	0513418-2	53-10-02-01	-002E	01
0513322-1	53-10-00-02	-028	01	0513418-201	53-10-02-01	-001A	01
0513326-2	53-10-00-02	-165	01	0513418-201	53-10-02-01	-001D	01
0513327-1	53-10-00-02	-094	01	0513418-202	53-10-02-01	-002A	01
0513327-1	53-10-00-02	-094A	01	0513418-202	53-10-02-01	-002D	01
0513327-2	53-10-00-02	-095	01	0513429-1	53-10-02-01	-016	01
0513327-2	53-10-00-02	-095A	01	0513429-2	53-10-02-01	-017	01
0513348-1	25-20-10-01	-032	01	0513467-1	53-22-00-02	-006	01
0513348-1	25-20-10-02	-118	01	0513488-11	53-10-00-02	-035	01
0513348-1	25-20-10-03	-200	01	0513488-8	53-10-00-02	-034	01
0513358-3	53-11-00-04	-008	01	0513488-9	53-10-00-02	-036	01
0513359-5	53-11-00-04	-009	01	0513502-2	53-11-00-01	-026	01
0513359-6	53-11-00-04	-010	01	0513503-2	53-11-00-01	-025	01
0513360-1	53-11-00-04	-012	01	0513504-1	53-11-00-01	-024	01
0513360-2	53-11-00-04	-013	01	0513505-3	53-10-00-02	-175	01
0513361-3	53-11-00-04	-014	01	0513505-3	53-10-00-02	-175A	01
0513362-18	53-10-00-02	-161	01	0513506-1	53-10-00-02	-196	01
0513362-19	53-10-00-02	-163	01	0513507-1	53-10-00-02	-176	01
0513362-30	53-10-00-02	-164	01	0513507-2	53-10-00-02	-177	01
0513362-31	53-10-00-02	-162	01	0513510-1	53-10-00-02	-081	01
0513362-32	53-10-00-02	-091	01	0513510-2	53-10-00-02	-082	01
0513362-33	53-10-00-02	-090	01	0513511-11	53-10-00-02	-075	01
0513363-22	53-11-00-04	-002	01	0513511-12	53-10-00-02	-076	01
0513363-23	53-11-00-04	-001	01	0513511-23	53-10-00-02	-077	01
0513364-1	53-11-00-04	-004	01	0513511-23	53-10-00-02	-077A	01
0513364-2	53-11-00-04	-003	01	0513511-24	53-10-00-02	-078	01
0513365-1	53-22-00-02	-005	01	0513511-24	53-10-00-02	-078A	01
0513366-5	53-22-00-02	-007	01	0513511-25	53-10-00-02	-077B	01
0513368-10	53-22-00-01	-011	01	0513511-25	53-10-00-02	-077C	01

CESSNA AIRCRAFT COMPANY
MODEL 172 (SERIES 1996 AND ON)
ILLUSTRATED PARTS CATALOG

PART NUMBER	CH SEC SUBJ FIG	ITEM	REQ	PART NUMBER	CH SEC SUBJ FIG	ITEM	REQ
0513511-26	53-10-00-02	-078B	01	0513552-19	25-10-02-01	-003C	01
0513511-26	53-10-00-02	-078C	01	0513552-20	25-10-02-01	-001B	01
0513511-27	53-10-00-02	-077D	01	0513552-20	25-10-02-01	-001C	01
0513511-27	53-10-00-02	-077E	01	0513552-4	25-10-02-01	-004	01
0513512-1	53-10-00-02	-001	01	0513552-9	25-10-02-01	-007	01
0513512-1	53-10-00-02	-001A	01	0513557-1	53-10-00-02	-158	01
0513512-11	53-10-00-02	-010	01	0513566-1	53-11-00-01	-032	01
0513512-12	53-10-00-02	-004B	01	0513566-2	53-11-00-01	-033	01
0513512-12	53-10-00-02	-004C	01	0513566-4	53-11-00-01	-033A	01
0513512-13	53-10-00-02	-001B	01	0513567-1	53-10-00-02	-019	01
0513512-13	53-10-00-02	-001C	01	0513567-1	53-10-00-02	-019A	01
0513512-14	53-10-00-02	-011B	01	0513567-2	53-10-00-02	-019B	01
0513512-14	53-10-00-02	-011C	01	0513567-2	53-10-00-02	-019C	01
0513512-15	53-10-00-02	-003B	01	0513568-1	53-22-00-01	-002	01
0513512-15	53-10-00-02	-003C	01	0513568-2	53-22-00-01	-003	01
0513512-4	53-10-00-02	-004	01	0513568-5	31-00-00-01A	-036	01
0513512-4	53-10-00-02	-004A	01	0513568-5	53-22-00-01A	-004	01
0513512-5	53-10-00-02	-003	01	0513568-6	31-00-00-01A	-040	01
0513512-5	53-10-00-02	-003A	01	0513568-6	53-22-00-01A	-005	01
0513512-8	53-10-00-02	-011	01	0513568-7	31-00-00-01A	-037	01
0513512-8	53-10-00-02	-011A	01	0513568-8	31-00-00-01A	-041	01
0513512-9	53-10-00-02	-012	01	0513569-1	53-22-00-01	-010	01
0513515-3	53-10-01-01A	-007	01	0513569-10	53-22-00-01	-019	01
0513515-4	53-10-01-01A	-008	01	0513569-10	53-22-00-01A	-015	01
0513516-1	53-10-00-02	-083	01	0513569-2	53-22-00-01	-017	01
0513516-2	53-10-00-02	-084	01	0513569-21	53-22-00-01A	-006	01
0513520-12	53-10-00-02	-020	01	0513569-22	53-22-00-01A	-011	01
0513520-12	53-10-00-02	-020A	01	0513569-22	53-22-00-01A	-011A	01
0513520-16	53-10-00-02	-092	02	0513569-24	53-22-00-01A	-017	01
0513520-17	53-10-00-02	-169	03	0513569-24	53-22-00-01A	-017A	01
0513520-17	53-10-00-02	-169A	03	0513569-25	53-22-00-01A	-018	01
0513520-18	53-10-00-02	-020B	01	0513569-5	53-22-00-01	-009	01
0513520-18	53-10-00-02	-020C	01	0513569-9	53-22-00-01	-018	01
0513520-19	53-10-00-02	-085	01	0513569-9	53-22-00-01A	-016	01
0513520-19	53-10-00-02	-085A	01	0513570-1	53-22-00-01	-004	01
0513520-20	53-10-00-02	-020D	01	0513570-1	53-22-00-01	-004A	01
0513520-20	53-10-00-02	-020E	01	0513570-13	53-22-00-01	-013	01
0513520-21	53-10-00-02	-020F	01	0513570-13	53-22-00-01	-013A	01
0513520-21	53-10-00-02	-020G	01	0513570-14	53-22-00-01	-015	01
0513520-6	53-10-00-02	-016	01	0513570-16	53-22-00-01	-016	01
0513520-7	53-10-00-02	-015	01	0513570-16	53-22-00-01A	-019	02
0513523-1	53-11-00-01	-028	01	0513570-17	53-22-00-01	-014	01
0513523-2	53-11-00-01	-029	01	0513570-18	53-22-00-01	-013B	01
0513526-1	53-10-02-01	-001	NP	0513570-18	53-22-00-01	-013C	01
0513526-1	53-10-02-01	-001C	NP	0513570-2	53-22-00-01	-006	01
0513526-2	53-10-02-01	-002	NP	0513570-2	53-22-00-01A	-020	02
0513526-2	53-10-02-01	-002C	NP	0513570-20	53-22-00-01	-005B	01
0513548-1	53-10-00-02	-179	01	0513570-20	53-22-00-01	-005C	01
0513548-2	53-10-00-02	-183	01	0513570-21	53-22-00-01	-005D	01
0513548-3	53-10-00-02	-184	01	0513570-21	53-22-00-01	-005E	01
0513549-1	53-10-00-02	-178	02	0513570-23	53-22-00-01	-004B	01
0513549-1	53-10-00-02	-178A	02	0513570-23	53-22-00-01	-004C	01
0513552-12	25-10-02-01	-005	01	0513570-25	53-22-00-01A	-021	01
0513552-12	25-10-02-01	-005A	01	0513570-25	53-22-00-01A	-021A	01
0513552-13	25-10-02-01	-003	01	0513570-26	53-22-00-01A	-023	01
0513552-13	25-10-02-01	-003A	01	0513570-26	53-22-00-01A	-023A	01
0513552-14	25-10-02-01	-006	01	0513570-29	53-22-00-01A	-025	01
0513552-15	25-10-02-01	-001	01	0513570-29	53-22-00-01A	-025A	01
0513552-15	25-10-02-01	-001A	01	0513570-3	53-22-00-01	-005	NP
0513552-17	25-10-02-01	-005B	01	0513570-3	53-22-00-01	-005A	NP
0513552-17	25-10-02-01	-005C	01	0513570-30	53-22-00-01A	-026	01
0513552-19	25-10-02-01	-003B	01	0513570-30	53-22-00-01A	-026A	01

CESSNA AIRCRAFT COMPANY
MODEL 172 (SERIES 1996 AND ON)
ILLUSTRATED PARTS CATALOG

PART NUMBER	CH SEC SUBJ FIG	ITEM	REQ	PART NUMBER	CH SEC SUBJ FIG	ITEM	REQ
0513570-31	53-22-00-01A	-027	02	0513572-6	31-00-00-01	-082A	01
0513570-31	53-22-00-01A	-027A	02	0513572-8	31-00-00-01	-086	01
0513570-31	53-22-00-01A	-027B	01	0513573-1	31-00-00-01	-150	01
0513570-31	53-22-00-01A	-027C	01	0513573-1	31-00-00-01	-150A	01
0513570-32	53-22-00-01A	-029	01	0513573-10	31-00-00-01	-153B	01
0513570-32	53-22-00-01A	-029A	01	0513573-10	31-00-00-01	-153C	01
0513570-32	53-22-00-01A	-029B	01	0513573-10	31-00-00-01A	-026	01
0513570-32	53-22-00-01A	-029C	01	0513573-11	31-00-00-01A	-029	01
0513570-33	53-22-00-01A	-027D	01	0513573-12	31-00-00-01A	-028	01
0513570-33	53-22-00-01A	-027E	01	0513573-2	31-00-00-01	-153	01
0513570-34	53-22-00-01A	-029D	01	0513573-2	31-00-00-01	-153A	01
0513570-34	53-22-00-01A	-029E	01	0513573-3	31-00-00-01	-151	01
0513570-35	53-22-00-01A	-027F	01	0513573-3	31-00-00-01A	-031	01
0513570-36	53-22-00-01A	-029F	01	0513573-4	31-00-00-01	-154	01
0513570-36	53-22-00-01A	-029G	01	0513573-4	31-00-00-01A	-030	01
0513570-4	53-22-00-01	-007	01	0513573-9	31-00-00-01	-150B	01
0513570-5	53-22-00-01	-008	02	0513573-9	31-00-00-01	-150C	01
0513570-5	53-22-00-01A	-030	03	0513573-9	31-00-00-01A	-027	01
0513571-13	11-N-31-01	-150	01	0513574-1	53-22-00-01	-001	01
0513571-13	11-N-31-01	-150A	01	0513574-1	53-22-00-01	-001A	01
0513571-18	31-00-00-01	-001	01	0513574-3	53-22-00-01	-001B	01
0513571-19	31-00-00-01	-005	01	0513574-3	53-22-00-01	-001C	01
0513571-21	31-00-00-01	-014	01	0513574-6	53-22-00-01A	-001	01
0513571-21	31-00-00-01	-014A	01	0513574-6	53-22-00-01A	-001A	01
0513571-22	31-00-00-01	-012	01	0513574-7	11-N-31-01	-160	01
0513571-22	31-00-00-01	-012A	01	0513574-7	11-N-31-01	-161	01
0513571-30	31-00-00-01	-001B	01	0513574-8	53-22-00-01A	-001B	01
0513571-31	11-N-31-01	-151	01	0513574-8	53-22-00-01A	-001C	01
0513571-35	31-00-00-01	-005A	01	0513575-21	21-20-00-01	-076	01
0513571-37	31-00-00-01	-013	01	0513575-21	21-20-00-01	-076A	01
0513571-37	31-00-00-01	-013A	01	0513575-22	21-20-00-01	-077	01
0513571-38	31-00-00-01	-166	01	0513575-22	21-20-00-01	-077A	01
0513571-39	31-00-00-01	-001A	01	0513575-23	21-20-00-01	-087	01
0513571-40	11-N-31-01	-152	01	0513575-23	21-20-00-01	-087A	01
0513571-41	11-N-31-01	-153	01	0513575-25	21-20-00-01	-092	01
0513571-42	31-00-00-01	-001C	01	0513575-25	21-20-00-01	-092A	01
0513571-43	31-00-00-01	-008	01	0513575-27	21-20-00-01	-086	01
0513571-43	31-00-00-01	-008A	01	0513575-27	21-20-00-01	-086A	01
0513571-44	31-00-00-01	-009	01	0513575-31	21-20-00-01	-091	01
0513571-44	31-00-00-01	-009A	01	0513575-31	21-20-00-01	-091A	01
0513571-49	31-00-00-01	-010	01	0513577-1	53-10-01-01	-093	01
0513571-49	31-00-00-01	-010A	01	0513577-1	53-10-01-01	-093A	01
0513571-51	31-00-00-01	-011	01	0513577-1	53-10-01-01A	-005	01
0513571-51	31-00-00-01	-011A	01	0513577-2	53-10-01-01	-091	01
0513571-9	31-00-00-01	-021	02	0513577-2	53-10-01-01	-091A	01
0513572-12	31-00-00-01	-083A	01	0513577-2	53-10-01-01A	-006	01
0513572-14	31-00-00-01	-083	01	0513579-1	53-10-00-02	-094B	01
0513572-20	31-00-00-01	-076	01	0513579-1	53-10-00-02	-094C	01
0513572-20	31-00-00-01	-076A	01	0513579-2	53-10-00-02	-095B	01
0513572-22	31-00-00-01	-075	01	0513579-2	53-10-00-02	-095C	01
0513572-22	31-00-00-01	-075A	01	0513580-2	21-40-00-01	-019B	01
0513572-24	31-00-00-01	-077	01	0513580-2	21-40-00-01	-019C	01
0513572-24	31-00-00-01	-077A	01	0513583-1	31-00-00-01A	-001	01
0513572-26	31-00-00-01	-078	01	0513583-10	31-00-00-01A	-004	01
0513572-26	31-00-00-01	-078A	01	0513583-10	31-00-00-01B	-011	02
0513572-28	31-00-00-01	-079	01	0513583-12	31-00-00-01A	-024	01
0513572-28	31-00-00-01	-079A	01	0513583-13	31-00-00-01A	-019	01
0513572-30	31-00-00-01	-080	01	0513583-14	31-00-00-01A	-020	01
0513572-30	31-00-00-01	-080A	01	0513583-17	31-00-00-01A	-015	01
0513572-5	11-N-31-01	-165	01	0513583-18	31-00-00-01A	-018	01
0513572-5	11-N-31-01	-165A	01	0513583-19	11-N-31-01	-155	01
0513572-6	31-00-00-01	-082	01	0513583-2	31-00-00-01A	-002	01

CESSNA AIRCRAFT COMPANY
MODEL 172 (SERIES 1996 AND ON)
 ILLUSTRATED PARTS CATALOG

PART NUMBER	CH	SEC	SUBJ	FIG	ITEM	REQ	PART NUMBER	CH	SEC	SUBJ	FIG	ITEM	REQ
0513583-20	31	00	00	01B	-001B	01	0513596-2	53	10	00	02	-188A	01
0513583-21	31	00	00	01B	-001D	01	0513596-4	53	10	00	02	-191B	01
0513583-22	31	00	00	01B	-002B	01	0513596-4	53	10	00	02	-191C	01
0513583-22	31	00	00	01B	-002C	01	0513596-5	53	10	00	02	-188B	01
0513583-23	11	N	31	01	-155A	01	0513596-5	53	10	00	02	-188C	01
0513583-23	11	N	31	01	-155B	01	0513597-1	53	10	00	02	-178B	01
0513583-24	11	N	31	01	-155C	01	0513597-1	53	10	00	02	-178C	01
0513583-24	11	N	31	01	-155D	01	0514028-5	25	10	00	02	-092	02
0513583-25	31	00	00	01B	-001	01	0514028-5	25	10	00	03	-106	02
0513583-26	31	00	00	01B	-001A	01	0514028-6	25	10	00	02	-094	01
0513583-27	31	00	00	01B	-002	01	0514028-6	25	10	00	03	-108	02
0513583-27	31	00	00	01B	-002A	01	0514037-3	25	10	00	02	-098	01
0513583-28	31	00	00	01B	-001F	01	0514037-3	25	10	00	03	-115	01
0513583-29	31	00	00	01B	-001H	01	0514064-4	56	60	00	01	-002	02
0513583-3	31	00	00	01A	-006	01	0514064-5	56	60	00	01	-002A	02
0513583-30	31	00	00	01B	-002F	01	0514067-12	25	20	10	01	-094F	01
0513583-30	31	00	00	01B	-002G	01	0514067-12	25	20	10	01	-094G	01
0513583-31	31	00	00	01B	-004	01	0514067-6	25	20	10	01	-094	01
0513583-32	31	00	00	01B	-005	01	0514067-6	25	20	10	01	-094A	01
0513583-33	31	00	00	01A	-014B	01	0514067-9	25	20	10	01	-094B	01
0513583-33	31	00	00	01A	-014C	01	0514067-9	25	20	10	01	-094C	01
0513583-34	31	00	00	01A	-017B	01	0514121-12	25	10	00	02	-090	NP
0513583-34	31	00	00	01A	-017C	01	0514121-12	25	10	00	02	-090A	NP
0513583-35	31	00	00	01B	-001C	01	0514178-1	25	11	00	01	-003	02
0513583-36	31	00	00	01B	-001E	01	0514210-2	53	10	00	01	-100	NP
0513583-37	31	00	00	01B	-002D	01	0514210-2	53	10	00	01	-101	NP
0513583-37	31	00	00	01B	-002E	01	0514210-3	53	10	00	01	-102	04
0513583-38	31	00	00	01B	-001G	01	0514210-3	53	10	00	01	-103	04
0513583-39	31	00	00	01B	-001J	01	0514212-1	25	10	00	01	-001	01
0513583-4	31	00	00	01A	-034	02	0514212-1	25	10	00	01	-001A	01
0513583-40	31	00	00	01B	-002H	01	0514212-11	25	10	00	01	-150	01
0513583-40	31	00	00	01B	-002J	01	0514212-11	25	10	00	01	-151	01
0513583-5	31	00	00	01A	-014	01	0514212-13	25	10	00	01	-181	01
0513583-5	31	00	00	01A	-014A	01	0514212-13	25	10	00	01	-181A	01
0513583-6	31	00	00	01A	-017	01	0514212-15	25	10	00	01	-077B	01
0513583-6	31	00	00	01A	-017A	01	0514212-15	25	10	00	01	-077C	01
0513583-7	11	N	31	01	-157	01	0514212-17	25	10	00	01	-076	01
0513583-7	11	N	31	01	-158	01	0514212-17	25	10	00	01	-076A	01
0513583-9	11	N	31	01	-156	01	0514212-19	25	10	00	01	-075	01
0513587-1	31	00	00	01	-081	01	0514212-19	25	10	00	01	-075A	01
0513587-1	31	00	00	01	-081A	01	0514212-2	25	10	00	01	-001B	01
0513587-13	11	N	31	01	-166	01	0514212-2	25	10	00	01	-001C	01
0513587-13	11	N	31	01	-166A	01	0514212-23	25	10	00	01	-005	01
0513587-3	31	00	00	01	-075B	01	0514212-23	25	10	00	01	-005A	01
0513587-3	31	00	00	01	-075C	01	0514212-24	25	10	00	01	-005B	01
0513587-5	31	00	00	01	-077B	01	0514212-24	25	10	00	01	-005C	01
0513587-5	31	00	00	01	-077C	01	0514212-31	25	10	00	01	-225	01
0513587-7	31	00	00	01	-078B	01	0514212-31	25	10	00	01	-226	01
0513587-7	31	00	00	01	-078C	01	0514212-33	25	10	00	01	-082	01
0513587-9	31	00	00	01	-079B	01	0514212-33	25	10	00	01	-082A	01
0513587-9	31	00	00	01	-079C	01	0514212-35	25	10	00	01	-248	01
0513588-1	53	22	00	01A	-011B	01	0514212-35	25	10	00	01	-249	01
0513588-1	53	22	00	01A	-011C	01	0514212-36	25	10	00	01	-250	01
0513588-2	53	22	00	01A	-017B	01	0514212-36	25	10	00	01	-251	01
0513588-2	53	22	00	01A	-017C	01	0514212-37	25	10	00	01	-077D	01
0513591-1	53	10	02	01	-020	02	0514212-37	25	10	00	01	-077E	01
0513591-1	53	10	02	01	-021	02	0514212-39	25	10	00	01	-076F	01
0513591-5	53	10	02	01	-022	02	0514212-39	25	10	00	01	-076G	01
0513591-5	53	10	02	01	-023	02	0514212-41	25	10	00	01	-075F	01
0513596-1	53	10	00	02	-191	01	0514212-41	25	10	00	01	-075G	01
0513596-1	53	10	00	02	-191A	01	0514212-7	25	10	00	01	-166	01
0513596-2	53	10	00	02	-188	01	0514212-7	25	10	00	01	-167	01

CESSNA AIRCRAFT COMPANY
MODEL 172 (SERIES 1996 AND ON)
ILLUSTRATED PARTS CATALOG

PART NUMBER	CH SEC SUBJ FIG	ITEM	REQ	PART NUMBER	CH SEC SUBJ FIG	ITEM	REQ
0514212-8	25-10-00-01	-168	01	0514223-40	25-21-00-01	-159B	01
0514212-8	25-10-00-01	-169	01	0514223-40	25-21-00-01	-159C	01
0514213-1	25-10-00-02	-002	01	0514223-41	25-21-00-01	-155B	01
0514213-1	25-10-00-02	-003	01	0514223-41	25-21-00-01	-155C	01
0514213-2	25-10-00-02	-004B	01	0514223-43	25-21-00-01	-225D	01
0514213-2	25-10-00-02	-004C	01	0514223-43	25-21-00-01	-225E	01
0514214-1	25-10-00-02	-075	01	0514223-45	25-21-00-01	-159D	NP
0514214-27	25-10-00-02	-077	01	0514223-45	25-21-00-01	-159E	NP
0514214-27	25-10-00-03	-080	01	0514223-47	25-21-00-01	-159F	01
0514214-28	25-10-00-02	-076	01	0514223-47	25-21-00-01	-159G	01
0514214-28	25-10-00-03	-079	01	0514223-5	25-21-00-01	-170	01
0514214-29	25-10-00-02	-078	01	0514223-6	25-21-00-01	-171	01
0514214-33	25-10-00-02	-102	04	0514223-7	25-21-00-01	-175	01
0514214-34	25-10-00-03	-097	01	0514224-1	25-10-00-01	-083	01
0514215-1	25-10-00-02	-028	NP	0514224-1	25-10-00-01	-083A	01
0514215-1	25-10-00-02	-028A	NP	0514225-1	25-21-00-01	-229	NP
0514215-15	25-10-00-02	-028B	01	0514225-1	25-21-00-01	-229A	NP
0514215-15	25-10-00-02	-028C	01	0514225-2	25-21-00-01	-234	01
0514215-16	25-10-00-02	-029B	01	0514225-4	25-21-00-01	-229B	NP
0514215-16	25-10-00-02	-029C	01	0514225-4	25-21-00-01	-229C	NP
0514215-21	25-10-00-03	-075F	01	0514226-1	25-10-00-02	-109	02
0514215-8	25-10-00-02	-029	01	0514226-1	25-10-00-03	-102	01
0514215-8	25-10-00-02	-029A	01	0514226-10	25-10-00-02	-088	01
0514215-9	25-10-00-02	-030	01	0514226-12	25-10-00-02	-088A	01
0514217-1	25-10-00-01	-077	01	0514226-12	25-10-00-02	-088B	01
0514217-1	25-10-00-01	-077A	01	0514226-12	25-10-00-03	-092	01
0514217-1	25-10-00-01	-077F	01	0514226-13	25-10-00-02	-087A	NP
0514217-6	25-21-00-01	-161	01	0514226-13	25-10-00-02	-087B	NP
0514217-7	25-10-00-02	-032	06	0514226-14	25-10-00-02	-087C	01
0514217-7	25-21-00-01	-233	13	0514226-14	25-10-00-02	-087D	01
0514220-1	25-21-00-01	-003	01	0514226-14	25-10-00-03	-089	01
0514220-1	25-21-00-01	-003A	01	0514226-3	25-10-00-02	-087	NP
0514220-11	25-21-00-01	-004	01	0514226-8	25-10-00-02	-080	01
0514220-11	25-21-00-01	-004A	01	0514226-8	25-10-00-03	-085	01
0514220-12	25-21-00-01	-115	01	0514226-9	25-10-00-03	-099	02
0514220-12	25-21-00-01	-116	01	0514227-13	25-10-00-02	-079	NP
0514220-13	25-21-00-01	-087	01	0514227-13	25-10-00-02	-079A	NP
0514220-13	25-21-00-01	-088	01	0514227-13	25-10-00-03	-077	NP
0514220-2	25-21-00-01	-103	01	0514227-13	25-10-00-03	-077A	NP
0514220-2	25-21-00-01	-104	01	0514227-14	25-21-00-01	-160	02
0514220-4	25-21-00-01	-075	01	0514227-19	25-10-00-02	-079B	01
0514220-4	25-21-00-01	-076	01	0514227-19	25-10-00-02	-079C	01
0514221-1	25-21-00-01	-150	01	0514227-19	25-10-00-03	-077B	01
0514221-1	25-21-00-01	-150A	01	0514227-19	25-10-00-03	-077C	01
0514221-2	25-21-00-01	-150B	01	0514227-19	25-10-00-05	-099	01
0514221-2	25-21-00-01	-150C	01	0514228-3	25-10-00-04	-002	01
0514222-1	25-21-00-01	-235	NP	0514228-3	25-10-00-05	-080	02
0514222-1	25-21-00-01	-235A	NP	0514228-4	25-10-00-04	-008	02
0514222-12	25-21-00-01	-235B	NP	0514229-1	25-10-00-04	-014	01
0514222-12	25-21-00-01	-235C	NP	0514229-1	25-10-00-05	-081	02
0514222-16	25-21-00-01	-235D	01	0514229-2	25-10-00-04	-019	01
0514222-16	25-21-00-01	-235E	01	0514229-3	25-10-00-04	-020	01
0514223-1	25-21-00-01	-155	NP	0514230-1	25-10-01-01	-001	NP
0514223-1	25-21-00-01	-155A	NP	0514230-1	25-10-01-01	-001A	NP
0514223-30	25-21-00-01	-169	02	0514230-2	33-10-00-01	-004	01
0514223-32	25-21-00-01	-159	01	0514230-2	33-10-00-01	-004A	01
0514223-32	25-21-00-01	-159A	01	0514230-4	33-10-00-01	-008	06
0514223-35	25-21-00-01	-225	05	0514230-4	33-10-00-01	-008A	06
0514223-35	25-21-00-01	-225A	05	0514232-2	25-10-03-01	-017	01
0514223-35	25-21-00-01	-225B	04	0514232-2	25-10-03-01A	-033	02
0514223-35	25-21-00-01	-225C	04	0514232-3	25-10-00-05	-009A	01
0514223-4	25-21-00-01	-162	01	0514232-3	25-10-03-01	-008B	AR

CESSNA AIRCRAFT COMPANY
MODEL 172 (SERIES 1996 AND ON)
ILLUSTRATED PARTS CATALOG

PART NUMBER	CH SEC SUBJ FIG	ITEM	REQ	PART NUMBER	CH SEC SUBJ FIG	ITEM	REQ
0514232-3	25-10-03-01A	-005	02	0515012-8	25-20-10-02	-019	NP
0514232-3	25-21-01-01	-009B	02	0515012-8	25-20-10-02	-020	NP
0514232-3	25-21-01-01	-009C	02	0515012-9	25-20-10-02	-015	NP
0514232-3	25-21-01-01	-009D	02	0515012-9	25-20-10-02	-016	NP
0514232-3	25-21-01-01	-018A	01	0515014-4	25-20-10-01	-019	01
0514232-3	25-21-01-01A	-005	02	0515014-5	25-20-10-02	-054	NP
0514232-3	25-21-01-01A	-014	01	0515014-5	25-20-10-02	-055	NP
0514232-5	25-10-03-01	-016	01	0515014-6	25-20-10-02	-056	01
0514232-5	25-10-03-01	-016A	01	0515014-6	25-20-10-02	-057	01
0514232-6	25-10-03-01A	-032	01	0515014-7	25-20-10-03	-091	NP
0514232-9	25-10-03-01	-016B	01	0515014-7	25-20-10-03	-092	NP
0514232-9	25-10-03-01	-016C	01	0515014-8	25-20-10-03	-093	01
0514232-9	25-10-03-01A	-031	02	0515014-8	25-20-10-03	-094	01
0514233-2	25-21-00-01	-236	NP	0515015-15	25-20-10-01	-001	01
0514233-2	25-21-00-01	-236A	NP	0515015-17	25-20-10-02	-005	NP
0514233-4	25-21-00-01	-236B	02	0515015-17	25-20-10-02	-006	NP
0514233-4	25-21-00-01	-236C	02	0515015-18	25-20-10-02	-007	01
0514233-5	25-21-00-01	-236D	02	0515015-18	25-20-10-02	-008	01
0514233-5	25-21-00-01	-236E	02	0515015-20	25-20-10-03	-001	NP
0514234-1	25-10-00-01	-006	01	0515015-20	25-20-10-03	-002	NP
0514234-1	25-10-00-01	-006A	01	0515015-22	25-20-10-03	-003	01
0514234-11	25-10-00-01	-229	01	0515015-22	25-20-10-03	-004	01
0514234-11	25-10-00-01	-230	01	0515015-24	25-20-10-03	-004A	01
0514234-13	25-10-00-01	-082B	01	0515015-24	25-20-10-03	-004B	01
0514234-13	25-10-00-01	-082C	01	0515015-28	25-20-10-03	-004C	01
0514234-19	25-10-00-01	-075H	01	0515015-28	25-20-10-03	-004E	01
0514234-19	25-10-00-01	-075J	01	0515016-11	25-23-00-01	-004	01
0514234-2	25-10-00-01	-006B	01	0515016-12	25-23-00-01	-007	01
0514234-2	25-10-00-01	-006C	01	0515016-13	25-20-10-01	-004	01
0514234-7	25-10-00-01	-252	01	0515016-14	25-23-00-01	-003	01
0514234-7	25-10-00-01	-253	01	0515016-15	25-23-00-01	-001	01
0514234-8	25-10-00-01	-254	01	0515016-16	25-23-00-01	-006	01
0514234-8	25-10-00-01	-255	01	0515016-17	25-23-00-01	-005	01
0514235-1	25-21-00-01	-004B	01	0515018-10	25-20-10-02	-034	01
0514235-1	25-21-00-01	-004C	01	0515018-10	25-20-10-02	-035	01
0514235-2	25-21-00-01	-117	01	0515018-12	25-20-10-03	-021	NP
0514235-2	25-21-00-01	-118	01	0515018-12	25-20-10-03	-022	NP
0514235-3	25-21-00-01	-089	01	0515018-14	25-20-10-03	-023	01
0514235-3	25-21-00-01	-090	01	0515018-14	25-20-10-03	-024	01
0514236-1	25-10-00-01	-010	01	0515018-16	25-20-10-03	-024A	01
0514236-2	25-10-00-01	-010A	01	0515018-16	25-20-10-03	-024B	01
0515008-2	25-20-10-01	-020	01	0515018-7	25-20-10-01	-013	01
0515008-2	25-20-10-02	-052	01	0515018-8	25-20-10-02	-032	NP
0515008-2	25-20-10-03	-089	01	0515018-8	25-20-10-02	-033	NP
0515012-11	25-20-10-02	-021	01	0515019-10	25-20-10-02	-001	NP
0515012-11	25-20-10-02	-022	01	0515019-10	25-20-10-02	-002	NP
0515012-13	25-20-10-02	-017	01	0515019-11	25-20-10-02	-003	01
0515012-13	25-20-10-02	-018	01	0515019-11	25-20-10-02	-004	01
0515012-14	25-20-10-03	-009	NP	0515019-13	25-20-10-03	-005	NP
0515012-14	25-20-10-03	-010	NP	0515019-13	25-20-10-03	-006	NP
0515012-15	25-20-10-03	-013	NP	0515019-15	25-20-10-03	-007	01
0515012-15	25-20-10-03	-014	NP	0515019-15	25-20-10-03	-008	01
0515012-17	25-20-10-03	-011	01	0515019-17	25-20-10-03	-008A	01
0515012-17	25-20-10-03	-012	01	0515019-17	25-20-10-03	-008B	01
0515012-18	25-20-10-03	-015	01	0515019-8	25-20-10-01	-003	01
0515012-18	25-20-10-03	-016	01	0515024-17	25-20-10-01	-024	01
0515012-20	25-20-10-03	-012A	01	0515024-18	25-20-10-01	-025	01
0515012-20	25-20-10-03	-012B	01	0515024-19	25-20-10-02	-085	NP
0515012-21	25-20-10-03	-016A	01	0515024-19	25-20-10-02	-086	NP
0515012-21	25-20-10-03	-016B	01	0515024-20	25-20-10-02	-089	NP
0515012-5	25-20-10-01	-005	01	0515024-20	25-20-10-02	-090	NP
0515012-6	25-20-10-01	-009	01	0515024-21	25-20-10-02	-087	01

CESSNA AIRCRAFT COMPANY
MODEL 172 (SERIES 1996 AND ON)
 ILLUSTRATED PARTS CATALOG

PART NUMBER	CH SEC SUBJ FIG	ITEM	REQ	PART NUMBER	CH SEC SUBJ FIG	ITEM	REQ
0515024-21	25-20-10-02	-088	01	0515061-16	09-10-00-01	-002G	01
0515024-22	25-20-10-02	-091	01	0515061-6	09-10-00-01	-002	01
0515024-22	25-20-10-02	-092	01	0515061-6	09-10-00-01	-002A	01
0515024-23	25-20-10-03	-195	NP	0515062-13	25-20-10-02	-094	02
0515024-23	25-20-10-03	-196	NP	0515062-25	25-20-10-03	-169	01
0515024-24	25-20-10-03	-191	NP	0515062-25	25-20-10-03	-170	01
0515024-24	25-20-10-03	-192	NP	0515062-31	25-20-10-03	-171	01
0515024-25	25-20-10-03	-197	01	0515062-31	25-20-10-03	-172	01
0515024-25	25-20-10-03	-198	01	0515062-4	25-20-10-01	-027	01
0515024-26	25-20-10-03	-193	01	0515072-2	25-20-10-05	-001	NP
0515024-26	25-20-10-03	-194	01	0515072-2	25-20-10-05	-001A	NP
0515026-20	25-20-10-01	-029	01	0515072-4	25-20-10-05	-001B	NP
0515026-4	21-20-00-01	-090	01	0515072-4	25-20-10-05	-001C	NP
0515027-13	25-20-10-01	-022	01	0515073-1	25-20-10-04	-001	01
0515027-14	25-20-10-01	-023	01	0515073-1	25-20-10-04	-001A	01
0515027-15	25-20-10-02	-058	NP	0515073-12	25-20-10-04	-003	01
0515027-15	25-20-10-02	-059	NP	0515073-12	33-11-01-03	-016	01
0515027-16	25-20-10-02	-062	NP	0515073-17	25-20-10-04	-008	01
0515027-16	25-20-10-02	-063	NP	0515073-19	25-10-03-01	-018	01
0515027-17	25-20-10-02	-060	01	0515073-19	25-10-03-01A	-034	01
0515027-17	25-20-10-02	-061	01	0515073-2	25-20-10-04	-004	01
0515027-18	25-20-10-02	-064	01	0515073-2	25-20-10-04	-004A	01
0515027-18	25-20-10-02	-065	01	0515073-27	25-20-10-04	-011B	01
0515027-19	25-20-10-03	-075	NP	0515073-27	25-20-10-04	-011C	01
0515027-19	25-20-10-03	-076	NP	0515073-3	25-20-10-04	-011	01
0515027-20	25-20-10-03	-079	NP	0515073-3	25-20-10-04	-011A	01
0515027-20	25-20-10-03	-080	NP	0515073-31	23-30-00-01	-001B	01
0515027-21	25-20-10-03	-077	01	0515073-31	23-30-00-01	-001C	01
0515027-21	25-20-10-03	-078	01	0515073-32	25-20-10-04	-007A	NP
0515027-22	25-20-10-03	-081	01	0515073-32	25-20-10-04	-007B	NP
0515027-22	25-20-10-03	-082	01	0515073-34	25-20-10-04	-007C	01
0515034-19	25-10-01-01	-006	01	0515073-34	25-20-10-04	-007D	01
0515034-19	25-10-01-01	-010	01	0515073-8	23-30-00-01	-001	01
0515034-19	25-10-01-01	-010A	01	0515073-8	23-30-00-01	-001A	01
0515036-4	25-20-10-01	-012	01	0515073-9	25-20-10-04	-007	02
0515036-5	25-20-10-02	-028	NP	0515075-10	25-20-00-02	-076	01
0515036-5	25-20-10-02	-029	NP	0515075-10	25-20-00-02	-076A	01
0515036-6	25-20-10-02	-030	01	0515075-102	25-20-00-02	-075A	01
0515036-6	25-20-10-02	-031	01	0515075-102	25-20-00-02	-075C	01
0515036-7	25-20-10-03	-017	NP	0515075-11	25-20-00-01	-012	01
0515036-7	25-20-10-03	-018	NP	0515075-11	25-20-00-01	-012B	01
0515036-8	25-20-10-03	-019	01	0515075-12	25-20-00-02	-011	01
0515036-8	25-20-10-03	-020	01	0515075-12	25-20-00-02	-011B	01
0515036-9	25-20-10-03	-020A	01	0515075-13	25-20-00-01	-005	01
0515036-9	25-20-10-03	-020B	01	0515075-13	25-20-00-01	-005C	01
0515050-9	25-20-10-01	-028	01	0515075-14	25-20-00-02	-012A	01
0515053-4	25-20-10-01	-017	01	0515075-14	25-20-00-02	-012C	01
0515053-5	25-20-10-02	-048	NP	0515075-17	25-20-00-01	-076A	01
0515053-5	25-20-10-02	-049	NP	0515075-17	25-20-00-01	-076B	01
0515053-6	25-20-10-02	-050	01	0515075-18	25-20-00-02	-075	01
0515053-6	25-20-10-02	-051	01	0515075-18	25-20-00-02	-075B	01
0515053-7	25-20-10-03	-083	NP	0515075-19	25-20-00-01	-011	01
0515053-7	25-20-10-03	-084	NP	0515075-19	25-20-00-01	-011A	01
0515053-8	25-20-10-03	-085	01	0515075-20	25-20-00-02	-010	01
0515053-8	25-20-10-03	-086	01	0515075-20	25-20-00-02	-010C	01
0515053-9	25-20-10-03	-087	01	0515075-33	25-20-00-01	-001	01
0515053-9	25-20-10-03	-088	01	0515075-33	25-20-00-01	-001B	01
0515061-12	09-10-00-01	-002B	01	0515075-34	25-20-00-02	-001	01
0515061-12	09-10-00-01	-002C	01	0515075-34	25-20-00-02	-001B	01
0515061-14	09-10-00-01	-002D	01	0515075-51	25-20-00-01	-010	01
0515061-14	09-10-00-01	-002E	01	0515075-51	25-20-00-01	-010B	01
0515061-16	09-10-00-01	-002F	01	0515075-51	25-20-00-01	-011B	01

CESSNA AIRCRAFT COMPANY
MODEL 172 (SERIES 1996 AND ON)
ILLUSTRATED PARTS CATALOG

PART NUMBER	CH SEC SUBJ FIG	ITEM	REQ	PART NUMBER	CH SEC SUBJ FIG	ITEM	REQ
0515075-51	25-20-00-01	-011C	01	0515089-2	21-20-00-01	-080	01
0515075-52	25-20-00-02	-009A	01	0515089-2	21-20-00-01	-080A	01
0515075-52	25-20-00-02	-009B	01	0515089-3	21-20-00-01	-083	01
0515075-57	25-20-00-01	-075	01	0515089-3	21-20-00-01	-083A	01
0515075-57	25-20-00-01	-075B	01	0516009-18	28-22-00-01	-001	01
0515075-58	25-20-00-02	-080	01	0516009-18	28-22-00-01	-001A	01
0515075-58	25-20-00-02	-080B	01	0516009-24	28-22-00-01	-001B	01
0515075-64	23-51-00-01	-005	02	0516009-24	28-22-00-01	-001C	01
0515075-65	25-20-00-01	-003C	01	0516016-10	28-21-00-01	-238	01
0515075-65	25-20-00-02	-004	01	0516016-20	28-21-00-01	-235	01
0515075-65	25-20-00-03	-026	01	0516016-21	28-21-00-01	-168	01
0515075-65	25-20-00-04	-022	01	0516016-9	28-21-00-01	-166	01
0515075-65	25-20-00-05	-088	01	0516021-1	28-21-00-01	-029F	01
0515075-65	25-20-00-06	-089	01	0516021-1	28-21-00-01	-029G	01
0515075-68	25-20-00-02	-002	01	0516021-2	28-21-00-01	-029H	01
0515075-68	25-20-00-02	-002B	01	0516021-2	28-21-00-01	-029J	01
0515075-69	25-20-00-01	-002	01	0516023-4	28-21-00-01	-075	01
0515075-69	25-20-00-01	-002C	01	0516024-9	28-21-00-01	-078	01
0515075-74	25-20-00-02	-003	01	0516025-2	28-21-00-01	-079	01
0515075-74	25-20-00-04	-024A	01	0516026-1	28-21-00-01	-076	02
0515075-74	25-20-00-04	-025A	01	0516029-1	28-21-00-01	-005	NP
0515075-74	25-20-00-06	-026	01	0516030-1	53-10-01-01	-101	01
0515075-74	25-20-00-06	-026A	01	0516030-2	53-10-01-01	-102	01
0515075-75	25-20-00-01	-003	01	0516030-4	28-21-00-01	-010	01
0515075-75	25-20-00-01	-003A	01	0516030-7	28-21-00-01	-011	01
0515075-75	25-20-00-03	-011B	01	0516031-1	28-21-00-01	-097B	01
0515075-75	25-20-00-03	-011C	01	0516031-1	28-21-00-01	-097C	01
0515075-75	25-20-00-05	-027	01	0516032-1	28-21-00-01	-101	01
0515075-75	25-20-00-05	-027A	01	0516032-1	28-21-00-01	-101A	01
0515075-78	25-20-00-02	-012	01	0516032-2	28-21-00-01	-102	01
0515075-78	25-20-00-02	-012B	01	0516032-2	28-21-00-01	-102A	01
0515075-79	25-20-00-01	-005B	01	0517001-39	52-10-00-01	-001	01
0515075-79	25-20-00-01	-005E	01	0517001-39	52-10-00-01	-001A	01
0515075-83	25-20-00-01	-001A	01	0517001-40	52-10-00-02	-001	01
0515075-83	25-20-00-01	-001C	01	0517001-40	52-10-00-02	-001A	01
0515075-84	25-20-00-02	-001A	01	0517001-41	52-10-00-01	-001B	01
0515075-84	25-20-00-02	-001C	01	0517001-41	52-10-00-01	-001C	01
0515075-85	25-20-00-01	-010A	01	0517001-42	52-10-00-02	-001B	01
0515075-85	25-20-00-01	-010C	01	0517001-42	52-10-00-02	-001C	01
0515075-86	25-20-00-02	-009	01	0517018-8	52-10-00-01	-106	01
0515075-87	25-20-00-01	-075A	01	0517018-8	52-10-00-02	-106	01
0515075-87	25-20-00-01	-075C	01	0517019-12	52-10-00-01	-017	01
0515075-88	25-20-00-02	-080A	01	0517019-12	52-10-00-02	-017	01
0515075-88	25-20-00-02	-080C	01	0517019-3	52-10-00-01	-016	01
0515075-89	25-20-00-01	-002A	01	0517019-4	52-10-00-02	-016	01
0515075-89	25-20-00-01	-002D	01	0517023-1	52-10-00-01	-107	NP
0515075-9	25-20-00-01	-077	01	0517023-1	52-10-00-01	-107A	NP
0515075-97	25-20-00-01	-076	01	0517023-1	52-10-00-02	-107	NP
0515075-98	25-20-00-02	-002A	01	0517023-1	52-10-00-02	-107A	NP
0515075-98	25-20-00-02	-002C	01	0517024-15	56-30-00-01	-003	01
0515082-1	52-10-00-01	-029	NP	0517025-10	56-30-00-01	-002	01
0515082-1	52-10-00-01	-029A	NP	0517025-10	56-30-00-01	-002A	01
0515082-2	52-10-00-02	-023	NP	0517025-11	56-30-00-01	-001B	01
0515082-2	52-10-00-02	-023A	NP	0517025-11	56-30-00-01	-001C	01
0515083-11	52-10-00-01	-031	01	0517025-12	56-30-00-01	-002B	01
0515083-11	52-10-00-01	-031A	01	0517025-12	56-30-00-01	-002C	01
0515083-12	52-10-00-02	-025	01	0517025-9	56-30-00-01	-001	01
0515083-12	52-10-00-02	-025A	01	0517025-9	56-30-00-01	-001A	01
0515085-1	25-10-01-01	-005	NP	0517035-1	52-10-00-01	-079	01
0515085-1	25-10-01-01	-005A	NP	0517035-2	52-10-00-02	-079	01
0515089-1	21-20-00-01	-079	01	0517037-1	52-10-00-01	-082	01
0515089-1	21-20-00-01	-079A	01	0517037-1	52-10-00-02	-082	01

CESSNA AIRCRAFT COMPANY
MODEL 172 (SERIES 1996 AND ON)
ILLUSTRATED PARTS CATALOG

PART NUMBER	CH SEC SUBJ FIG	ITEM	REQ	PART NUMBER	CH SEC SUBJ FIG	ITEM	REQ
0518003-3	24-61-00-01	-001B	01	0519000-201	25-10-00-01	-159	01
0518003-3	24-61-00-01	-001C	01	0519000-202	25-10-00-01	-227	01
0518003-4	24-61-00-01	-001	01	0519000-202	25-10-00-01	-228	01
0518003-4	24-61-00-01	-001A	01	0519000-208	25-10-00-01	-160	01
0518003-5	24-61-00-01	-001F	01	0519000-208	25-10-00-01	-161	01
0518003-5	24-61-00-01	-001G	01	0519000-209	25-10-00-01	-239	01
0518003-6	24-61-00-01	-001D	01	0519000-209	25-10-00-01	-240	01
0518003-6	24-61-00-01	-001E	01	0519000-212	25-10-00-01	-162	01
0518003-7	24-61-00-01A	-001	01	0519000-212	25-10-00-01	-163	01
0518004-1	32-32-00-02	-052	01	0519000-212	25-10-00-01	-164A	01
0518004-1	32-32-00-02	-052A	01	0519000-212	25-10-00-01	-165A	01
0518005-1	31-00-00-01	-158	01	0519000-212	25-10-00-01	-272	01
0518005-3	31-00-00-01	-156	01	0519000-212	25-10-00-01	-273	01
0518005-3	31-00-00-01	-156A	01	0519000-213	25-10-00-01	-241	01
0518005-4	31-00-00-01	-164	01	0519000-213	25-10-00-01	-242	01
0518005-4	31-00-00-01	-164A	01	0519000-217	25-10-00-01	-243A	01
0518011-10	24-61-00-01A	-002	01	0519000-217	25-10-00-01	-244A	01
0518011-4	24-61-00-01	-003	01	0519000-218	25-10-00-01	-164	NP
0518011-4	24-61-00-01	-003A	01	0519000-218	25-10-00-01	-165	NP
0518011-7	24-61-00-01	-003B	01	0519000-218	25-10-00-01	-272A	01
0518011-7	24-61-00-01	-003C	01	0519000-218	25-10-00-01	-273A	01
0518013-2	24-61-00-01	-032	01	0519000-219	25-10-00-01	-243	NP
0518013-2	24-61-00-01	-033	01	0519000-219	25-10-00-01	-244	NP
0518013-2	24-61-00-01A	-031	01	0519000-221	25-10-00-01	-274	01
0518013-2	24-61-00-01A	-032	01	0519000-221	25-10-00-01	-275	01
0518013-4	24-61-00-01	-027	01	0519000-222	25-10-00-01	-276	01
0518013-4	24-61-00-01A	-026	01	0519001-5	25-20-00-01	-012A	01
0518015-1	24-61-00-02	-004	01	0519001-5	25-20-00-01	-012C	01
0518015-1	24-61-00-02	-078	01	0519001-6	25-20-00-02	-011A	01
0518015-1	24-61-00-03	-004	01	0519001-6	25-20-00-02	-011C	01
0518015-1	24-61-00-03A	-004	01	0519001-7	25-20-00-01	-015	01
0518015-1	24-61-00-03A	-078	01	0519001-7	25-20-00-01	-015A	01
0518015-1	24-61-00-04	-004	01	0519001-7	25-20-00-02	-010B	01
0518015-1	24-61-00-04	-078	01	0519001-7	25-20-00-02	-010E	01
0518021-1	24-60-01-01	-001	01	0519001-8	25-20-00-02	-017	01
0518021-1	24-60-01-01	-001A	01	0519001-8	25-20-00-02	-017A	01
0518021-1	24-60-01-01	-001B	01	0519003-3	25-20-00-01	-011D	01
0518021-1	24-60-01-01	-001C	01	0519003-3	25-20-00-01	-011E	01
0518021-1	24-60-01-01	-001D	01	0519003-4	25-20-00-02	-010A	01
0518021-1	24-60-01-01	-001E	01	0519003-4	25-20-00-02	-010D	01
0518022-1	24-61-00-01	-036	01	0519006-10	25-20-00-02	-011D	01
0518022-1	24-61-00-01	-037	01	0519006-11	25-20-00-01	-012D	01
0518024-1	24-61-00-01B	-001	01	0519006-12	25-20-00-02	-076B	01
0518024-1	24-61-00-01B	-001A	01	0519006-13	25-20-00-01	-078	01
0518024-10	24-61-00-01B	-001B	01	0519006-8	25-20-00-02	-002D	01
0518024-10	24-61-00-01B	-001C	01	0519006-9	25-20-00-01	-002B	01
0518024-11	24-61-00-01B	-001D	01	0519007-2	25-23-00-01	-004A	01
0518024-11	24-61-00-01B	-001E	01	0519008-1	25-10-01-01	-001B	01
0518024-2	24-61-00-01B	-007	01	0519008-1	25-10-01-01	-001C	01
0518024-4	24-61-00-01B	-010	01	0519008-2	25-10-01-01	-007	01
0518024-5	24-61-00-01B	-083	01	0519008-2	25-10-01-01	-007A	01
0518024-6	24-61-00-01B	-084	01	0519008-3	33-10-00-01	-005	01
0518031-1	37-10-00-06	-024	01	0519008-3	33-10-00-01	-005A	01
0518031-1	37-10-00-06	-025	01	0519008-5	33-10-00-01	-010	01
0518032-4	24-60-01-01	-007B	02	0519008-5	33-10-00-01	-010A	01
0518032-4	24-60-01-01	-007C	02	0519009-1	25-20-00-03	-012	NP
0518033-1	33-13-00-01	-092	01	0519009-1	25-20-00-03	-012A	NP
0518033-1	33-13-00-01	-092A	01	0519009-2	25-20-00-04	-012	NP
0518033-1	33-13-00-01A	-015	01	0519009-2	25-20-00-04	-012A	NP
0518033-1	33-13-00-01A	-015A	01	0519009-3	25-20-00-03	-013	NP
0518043-1	31-10-00-02	-005	01	0519009-3	25-20-00-03	-013A	NP
0519000-201	25-10-00-01	-158	01	0519009-4	25-20-00-04	-013	NP

CESSNA AIRCRAFT COMPANY
MODEL 172 (SERIES 1996 AND ON)
ILLUSTRATED PARTS CATALOG

PART NUMBER	CH SEC SUBJ FIG	ITEM	REQ	PART NUMBER	CH SEC SUBJ FIG	ITEM	REQ
0519009-4	25-20-00-04	-013A	NP	0519023-2	25-21-00-01	-150G	NP
0519011-5	25-20-00-03	-011	01	0519023-3	25-21-00-01	-150H	01
0519011-5	25-20-00-03	-011A	01	0519023-3	25-21-00-01	-150J	01
0519011-6	25-20-00-04	-024	01	0519023-4	25-21-00-01	-150K	NP
0519011-6	25-20-00-04	-025	01	0519023-4	25-21-00-01	-150L	NP
0519013-3	25-20-00-03	-008	NP	0519023-5	25-21-00-01	-150M	01
0519013-3	25-20-00-03	-008A	NP	0519023-5	25-21-00-01	-150N	01
0519013-4	25-20-00-04	-008	NP	0519024-1	25-21-00-01	-155D	NP
0519013-4	25-20-00-04	-008A	NP	0519024-1	25-21-00-01	-155E	NP
0519013-5	25-20-00-03	-009	NP	0519024-5	25-21-00-01	-155F	01
0519013-5	25-20-00-03	-009A	NP	0519024-5	25-21-00-01	-155G	01
0519013-6	25-20-00-04	-009	NP	0519024-6	25-21-00-01	-155H	NP
0519013-6	25-20-00-04	-009A	NP	0519024-6	25-21-00-01	-155J	NP
0519015-1	25-10-01-01	-001D	01	0519024-7	25-21-00-01	-155K	01
0519015-1	25-10-01-01	-001E	01	0519024-7	25-21-00-01	-155L	01
0519015-2	25-10-01-01	-007B	01	0519025-1	25-21-00-01	-003B	01
0519015-2	25-10-01-01	-007C	01	0519025-1	25-21-00-01	-003C	01
0519015-3	33-10-00-01	-015	01	0519025-2	25-21-00-01	-105	01
0519015-3	33-10-00-01	-015A	01	0519025-2	25-21-00-01	-106	01
0519015-4	33-10-00-01	-016	01	0519025-3	25-21-00-01	-077	01
0519015-4	33-10-00-01	-016A	01	0519025-3	25-21-00-01	-078	01
0519017-1	25-20-10-05	-003	01	0519026-1	25-10-00-01	-007	01
0519017-1	25-20-10-05	-003A	01	0519026-1	25-10-00-01	-007A	01
0519017-2	25-20-10-05	-011	NP	0519026-12	25-10-00-01	-262	01
0519017-2	25-20-10-05	-011A	NP	0519026-12	25-10-00-01	-263	01
0519017-3	25-20-10-05	-015	NP	0519026-13	25-10-00-01	-258	01
0519017-3	25-20-10-05	-015A	NP	0519026-13	25-10-00-01	-259	01
0519017-4	25-20-10-05	-016	NP	0519026-14	25-10-00-01	-233	01
0519017-4	25-20-10-05	-016A	NP	0519026-14	25-10-00-01	-234	01
0519017-5	25-20-10-05	-004	NP	0519026-15	25-10-00-01	-084B	01
0519017-5	25-20-10-05	-004A	NP	0519026-15	25-10-00-01	-084C	01
0519017-6	25-20-10-05	-009	01	0519026-2	25-10-00-01	-007B	01
0519017-6	25-20-10-05	-009A	01	0519026-2	25-10-00-01	-007C	01
0519017-7	25-20-10-05	-010	01	0519026-3	25-10-00-01	-256	NP
0519017-7	25-20-10-05	-010A	01	0519026-3	25-10-00-01	-257	NP
0519018-1	25-20-10-04	-001B	01	0519026-4	25-10-00-01	-260	NP
0519018-1	25-20-10-04	-001C	01	0519026-4	25-10-00-01	-261	NP
0519018-2	25-20-10-04	-004B	01	0519026-5	25-10-00-01	-231	NP
0519018-2	25-20-10-04	-004C	01	0519026-5	25-10-00-01	-232	NP
0519018-3	25-20-10-04	-011D	NP	0519026-6	25-10-00-01	-084	NP
0519018-3	25-20-10-04	-011E	NP	0519026-6	25-10-00-01	-084A	NP
0519018-4	25-20-10-04	-011F	NP	0519026-7	25-10-00-01	-075K	01
0519018-4	25-20-10-04	-011G	NP	0519026-7	25-10-00-01	-075L	01
0519021-4	21-20-00-01	-081	02	0519027-1	25-21-00-01	-004D	01
0519021-4	21-20-00-01	-081A	02	0519027-1	25-21-00-01	-004E	01
0519021-6	21-20-00-01	-082	02	0519027-2	25-21-00-01	-119	NP
0519021-6	21-20-00-01	-082A	02	0519027-2	25-21-00-01	-120	NP
0519022-1	25-10-00-01	-001D	01	0519027-3	25-21-00-01	-091	NP
0519022-2	25-10-00-01	-001E	01	0519027-3	25-21-00-01	-092	NP
0519022-20	25-10-00-01	-173	01	0519027-4	25-21-00-01	-121	01
0519022-21	25-10-00-01	-171	01	0519027-4	25-21-00-01	-122	01
0519022-22	25-10-00-01	-153	01	0519027-5	25-21-00-01	-093	01
0519022-24	25-10-00-01	-181C	01	0519027-5	25-21-00-01	-094	01
0519022-3	25-10-00-01	-170	NP	0519029-10	25-23-00-02	-005	01
0519022-4	25-10-00-01	-172	01	0519029-10	25-23-00-02	-005A	01
0519022-5	25-10-00-01	-152	NP	0519029-11	25-23-00-02	-004	01
0519022-6	25-10-00-01	-181B	NP	0519029-11	25-23-00-02	-004A	01
0519022-7	25-10-00-01	-075B	01	0519029-12	25-23-00-02	-003	01
0519022-8	25-10-00-01	-076B	01	0519029-12	25-23-00-02	-003A	01
0519023-1	25-21-00-01	-150D	NP	0519029-13	25-23-00-02	-001	01
0519023-1	25-21-00-01	-150E	NP	0519029-13	25-23-00-02	-001A	01
0519023-2	25-21-00-01	-150F	NP	0519029-14	25-23-00-02	-002	01

CESSNA AIRCRAFT COMPANY
MODEL 172 (SERIES 1996 AND ON)
ILLUSTRATED PARTS CATALOG

PART NUMBER	CH SEC SUBJ FIG	ITEM	REQ	PART NUMBER	CH SEC SUBJ FIG	ITEM	REQ
0519029-14	25-23-00-02	-002A	01	0519049-3	25-20-00-03	-005C	01
0519029-8	25-20-10-02	-010	01	0519049-4	25-20-00-04	-005B	01
0519029-9	25-23-00-02	-006	01	0519049-4	25-20-00-04	-005C	01
0519029-9	25-23-00-02	-006A	01	0519064-1	25-21-00-01	-229D	01
0519033-1	25-20-00-03	-001	NP	0519064-1	25-21-00-01	-229E	01
0519033-1	25-20-00-03	-001A	NP	0519066-2	09-10-00-01	-005B	01
0519033-2	25-20-00-04	-001	NP	0519066-2	09-10-00-01	-005C	01
0519033-2	25-20-00-04	-001A	NP	0519067-3	25-20-00-03	-022	01
0519033-3	25-20-00-03	-005	NP	0519067-3	25-20-00-03	-022A	01
0519033-3	25-20-00-03	-005A	NP	0519067-4	25-20-00-03	-023	01
0519033-4	25-20-00-04	-005	NP	0519067-4	25-20-00-03	-023A	01
0519033-4	25-20-00-04	-005A	NP	0519068-1	25-20-10-01	-094D	01
0519034-3	25-20-00-03	-014	01	0519068-1	25-20-10-01	-094E	01
0519034-4	25-20-00-04	-014	01	0519068-2	25-20-10-01	-094H	NP
0519035-1	25-20-00-03	-007	NP	0519068-2	25-20-10-01	-094K	NP
0519035-1	25-20-00-03	-007A	NP	0519069-5	25-20-10-04	-009	01
0519035-2	25-20-00-04	-007	NP	0519069-5	25-20-10-04	-009A	01
0519035-2	25-20-00-04	-007A	NP	0519071-1	25-21-00-01	-003D	NP
0519038-200	25-20-10-05	-002	01	0519071-1	25-21-00-01	-003E	NP
0519038-200	25-20-10-05	-002B	01	0519071-2	25-21-00-01	-107	01
0519038-201	25-20-10-05	-008	01	0519071-2	25-21-00-01	-108	01
0519038-201	25-20-10-05	-008A	01	0519071-3	25-21-00-01	-079	01
0519038-202	25-20-10-05	-024	01	0519071-3	25-21-00-01	-080	01
0519038-202	25-20-10-05	-024A	01	0519071-4	25-21-00-01	-007	01
0519038-203	25-20-10-05	-023	01	0519071-4	25-21-00-01	-007A	01
0519038-203	25-20-10-05	-023A	01	0519071-5	25-21-00-01	-003F	01
0519041-3	25-20-00-03	-008B	01	0519071-5	25-21-00-01	-003G	01
0519041-3	25-20-00-03	-008C	01	0519071-6	25-21-00-01	-003H	NP
0519041-4	25-20-00-04	-008B	01	0519071-6	25-21-00-01	-003J	NP
0519041-4	25-20-00-04	-008C	01	0519071-7	25-21-00-01	-003K	01
0519041-5	25-20-00-03	-009B	01	0519071-7	25-21-00-01	-003L	01
0519041-5	25-20-00-03	-009C	01	0519072-1	25-21-00-01	-004F	01
0519041-6	25-20-00-04	-009B	01	0519072-1	25-21-00-01	-004G	01
0519041-6	25-20-00-04	-009C	01	0519072-2	25-21-00-01	-123	01
0519043-2	56-60-00-01	-001	NP	0519072-2	25-21-00-01	-124	01
0519044-1	25-20-10-05	-004B	01	0519072-3	25-21-00-01	-095	01
0519044-1	25-20-10-05	-004C	01	0519072-3	25-21-00-01	-096	01
0519044-2	25-20-10-05	-012	01	0519072-4	25-21-00-01	-004H	01
0519044-2	25-20-10-05	-012A	01	0519072-4	25-21-00-01	-004J	01
0519044-3	25-20-10-05	-017	01	0519072-5	25-21-00-01	-004K	NP
0519044-3	25-20-10-05	-017A	01	0519072-5	25-21-00-01	-004L	NP
0519044-4	25-20-10-05	-018	01	0519072-6	25-21-00-01	-004M	01
0519044-4	25-20-10-05	-018A	01	0519072-6	25-21-00-01	-004N	01
0519044-5	25-20-10-05	-005	01	0519074-10	25-23-00-02	-008B	01
0519044-5	25-20-10-05	-005A	01	0519074-10	25-23-00-02	-008C	01
0519046-1	25-20-00-03	-012B	01	0519074-10	25-23-00-03	-017	01
0519046-1	25-20-00-03	-012C	01	0519074-11	25-23-00-02	-003D	01
0519046-2	25-20-00-04	-012B	01	0519074-11	25-23-00-02	-003E	01
0519046-2	25-20-00-04	-012C	01	0519074-11	25-23-00-03	-003	01
0519046-3	25-20-00-03	-013B	01	0519074-12	25-23-00-03	-008	01
0519046-3	25-20-00-03	-013C	01	0519074-13	25-23-00-02	-004D	01
0519046-4	25-20-00-04	-013B	01	0519074-13	25-23-00-02	-004E	01
0519046-4	25-20-00-04	-013C	01	0519074-13	25-23-00-03	-005	01
0519048-1	25-20-00-03	-007B	01	0519074-14	25-23-00-02	-005D	01
0519048-1	25-20-00-03	-007C	01	0519074-14	25-23-00-02	-005E	01
0519048-2	25-20-00-04	-007B	01	0519074-14	25-23-00-03	-007	01
0519048-2	25-20-00-04	-007C	01	0519074-15	25-23-00-02	-007	01
0519049-1	25-20-00-03	-001B	01	0519074-15	25-23-00-02	-007A	01
0519049-1	25-20-00-03	-001C	01	0519074-15	25-23-00-03	-009	01
0519049-2	25-20-00-04	-001B	01	0519074-17	25-23-00-02	-010	01
0519049-2	25-20-00-04	-001C	01	0519074-18	25-23-00-02	-009B	01
0519049-3	25-20-00-03	-005B	01	0519074-2	25-23-00-02	-003B	01

CESSNA AIRCRAFT COMPANY
MODEL 172 (SERIES 1996 AND ON)
ILLUSTRATED PARTS CATALOG

PART NUMBER	CH SEC SUBJ FIG	ITEM	REQ	PART NUMBER	CH SEC SUBJ FIG	ITEM	REQ
0519074-2	25-23-00-02	-003C	01	0519078-26	25-20-00-06	-090B	01
0519074-3	25-23-00-02	-001B	01	0519078-26	25-20-00-06	-090C	01
0519074-3	25-23-00-02	-001C	01	0519078-27	25-20-00-05	-022B	01
0519074-3	25-23-00-03	-001	01	0519078-27	25-20-00-05	-022C	01
0519074-4	25-23-00-02	-002B	01	0519078-28	25-20-00-06	-022B	01
0519074-4	25-23-00-02	-002C	01	0519078-28	25-20-00-06	-022C	01
0519074-4	25-23-00-03	-002	01	0519078-3	25-20-00-05	-093	NP
0519074-5	25-23-00-02	-004B	01	0519078-3	25-20-00-05	-093A	NP
0519074-5	25-23-00-02	-004C	01	0519078-31	25-20-00-05	-089D	01
0519074-5	25-23-00-03	-004	01	0519078-31	25-20-00-05	-089E	01
0519074-6	25-23-00-02	-005B	01	0519078-32	25-20-00-06	-090D	01
0519074-6	25-23-00-02	-005C	01	0519078-32	25-20-00-06	-090E	01
0519074-6	25-23-00-03	-006	01	0519078-33	25-20-00-05	-022D	01
0519074-7	25-23-00-02	-009	01	0519078-33	25-20-00-05	-022E	01
0519074-7	25-23-00-02	-009A	01	0519078-34	25-20-00-06	-022D	01
0519074-8	25-23-00-02	-006B	01	0519078-34	25-20-00-06	-022E	01
0519074-8	25-23-00-02	-006C	01	0519078-4	25-20-00-06	-094	NP
0519074-9	25-23-00-02	-008D	01	0519078-4	25-20-00-06	-094A	NP
0519074-9	25-23-00-02	-008E	01	0519078-7	25-20-00-05	-010	01
0519074-9	25-23-00-03	-018	01	0519078-7	25-20-00-05	-010A	01
0519075-1	25-20-10-05	-005B	NP	0519078-8	25-20-00-06	-010	01
0519075-1	25-20-10-05	-005C	NP	0519078-8	25-20-00-06	-010A	01
0519075-2	25-20-10-05	-013	01	0519080-1	25-20-00-05	-075	01
0519075-2	25-20-10-05	-013A	01	0519080-1	25-20-00-05	-075A	01
0519075-3	25-20-10-05	-019	NP	0519080-2	25-20-00-06	-075	01
0519075-3	25-20-10-05	-019A	NP	0519080-2	25-20-00-06	-075A	01
0519075-4	25-20-10-05	-020	NP	0519080-3	25-20-00-05	-018	01
0519075-4	25-20-10-05	-020A	NP	0519080-3	25-20-00-05	-018A	01
0519075-5	25-20-10-05	-006	01	0519080-4	25-20-00-06	-018	01
0519075-5	25-20-10-05	-006A	01	0519080-4	25-20-00-06	-018A	01
0519075-6	25-20-10-05	-014	01	0519081-1	25-20-00-05	-001	NP
0519075-6	25-20-10-05	-014A	01	0519081-1	25-20-00-05	-001A	NP
0519075-7	25-20-10-05	-021	01	0519081-11	25-20-00-05	-001B	01
0519075-7	25-20-10-05	-021A	01	0519081-11	25-20-00-05	-001C	01
0519075-8	25-20-10-05	-022	01	0519081-12	25-20-00-06	-001B	01
0519075-8	25-20-10-05	-022A	01	0519081-12	25-20-00-06	-001C	01
0519076-1	25-20-10-04	-001D	01	0519081-13	25-20-00-05	-014B	01
0519076-1	25-20-10-04	-001E	01	0519081-13	25-20-00-05	-014C	01
0519076-2	25-20-10-04	-004D	01	0519081-14	25-20-00-06	-014B	01
0519076-2	25-20-10-04	-004E	01	0519081-14	25-20-00-06	-014C	01
0519076-3	25-20-10-04	-011H	01	0519081-15	25-20-00-05	-006B	01
0519076-3	25-20-10-04	-011J	01	0519081-15	25-20-00-05	-006C	01
0519076-3	33-11-01-02	-012	01	0519081-16	25-20-00-06	-006B	01
0519076-3	33-11-01-02	-012A	01	0519081-16	25-20-00-06	-006C	01
0519076-4	25-20-10-04	-011K	NP	0519081-19	25-20-00-05	-006D	01
0519076-4	25-20-10-04	-011L	NP	0519081-19	25-20-00-05	-006E	01
0519076-4	33-11-01-02	-012B	NP	0519081-2	25-20-00-06	-001	NP
0519076-4	33-11-01-02	-012C	NP	0519081-2	25-20-00-06	-001A	NP
0519078-11	25-20-00-05	-089	NP	0519081-20	25-20-00-06	-006D	01
0519078-11	25-20-00-05	-089A	NP	0519081-20	25-20-00-06	-006E	01
0519078-12	25-20-00-06	-090	NP	0519081-3	25-20-00-05	-014	NP
0519078-12	25-20-00-06	-090A	NP	0519081-3	25-20-00-05	-014A	NP
0519078-13	25-20-00-05	-022	NP	0519081-4	25-20-00-06	-014	NP
0519078-13	25-20-00-05	-022A	NP	0519081-4	25-20-00-06	-014A	NP
0519078-14	25-20-00-06	-022	NP	0519081-5	25-20-00-05	-006	NP
0519078-14	25-20-00-06	-022A	NP	0519081-5	25-20-00-05	-006A	NP
0519078-17	25-20-00-05	-093B	01	0519081-6	25-20-00-06	-006	NP
0519078-17	25-20-00-05	-093C	01	0519081-6	25-20-00-06	-006A	NP
0519078-18	25-20-00-06	-094B	01	0519085-10	11-10-00-05	-007	01
0519078-18	25-20-00-06	-094C	01	0519085-11	11-10-00-05	-002	01
0519078-25	25-20-00-05	-089B	01	0519085-12	11-10-00-05	-003	01
0519078-25	25-20-00-05	-089C	01	0519085-13	11-10-00-05	-004	01

CESSNA AIRCRAFT COMPANY
MODEL 172 (SERIES 1996 AND ON)
ILLUSTRATED PARTS CATALOG

PART NUMBER	CH SEC SUBJ FIG	ITEM	REQ	PART NUMBER	CH SEC SUBJ FIG	ITEM	REQ
0519085-14	11-10-00-05	-005	01	0519088-17	11-10-00-06	-016	01
0519085-15	11-10-00-05	-019	02	0519088-18	11-10-00-06	-017	01
0519085-16	11-10-00-05	-018	02	0519088-19	11-10-00-06	-012	01
0519085-17	11-10-00-05	-016	01	0519088-2	11-10-00-06	-001	01
0519085-18	11-10-00-05	-017	01	0519088-20	11-10-00-06	-013	01
0519085-19	11-10-00-05	-012	01	0519088-21	11-10-00-06	-014	01
0519085-2	11-10-00-05	-001	01	0519088-22	11-10-00-06	-015	01
0519085-20	11-10-00-05	-013	01	0519088-23	11-10-00-06	-020	02
0519085-21	11-10-00-05	-014	01	0519088-24	11-10-00-06	-029	02
0519085-22	11-10-00-05	-015	01	0519088-25	11-10-00-06	-028	02
0519085-23	11-10-00-05	-020	02	0519088-27	11-10-00-06	-026	01
0519085-24	11-10-00-05	-029	02	0519088-28	11-10-00-06	-023	01
0519085-25	11-10-00-05	-024	01	0519088-28	11-10-00-06	-027	01
0519085-26	11-10-00-05	-025	01	0519088-29	11-10-00-06	-022	01
0519085-27	11-10-00-05	-026	01	0519088-3	11-10-00-06	-011	01
0519085-28	11-10-00-05	-027	01	0519088-30	11-10-00-06	-025	01
0519085-29	11-10-00-05	-022	01	0519088-31	11-10-00-06	-024	01
0519085-3	11-10-00-05	-011	01	0519088-32	11-10-00-06	-030	02
0519085-30	11-10-00-05	-023	01	0519088-32	11-10-00-07	-016A	02
0519085-31	11-10-00-05	-030	02	0519088-33	11-10-00-06	-039	02
0519085-32	11-10-00-05	-035	01	0519088-34	11-10-00-06	-038	02
0519085-33	11-10-00-05	-034	01	0519088-35	11-10-00-06	-036	01
0519085-34	11-10-00-05	-037	01	0519088-36	11-10-00-06	-037	01
0519085-35	11-10-00-05	-036	01	0519088-37	11-10-00-06	-032	01
0519085-36	11-10-00-05	-033	01	0519088-38	11-10-00-06	-033	01
0519085-37	11-10-00-05	-032	01	0519088-39	11-10-00-06	-034	01
0519085-38	11-10-00-05	-040	02	0519088-4	11-10-00-06	-021	01
0519085-4	11-10-00-05	-021	01	0519088-40	11-10-00-06	-035	01
0519085-40	11-10-00-05	-028	02	0519088-41	11-10-00-06	-040	02
0519085-41	11-10-00-05	-038	02	0519088-42	11-10-00-06	-001A	01
0519085-42	11-10-00-05	-001A	01	0519088-44	11-10-00-06	-011A	01
0519085-43	11-10-00-05	-011A	01	0519088-44	11-10-00-06	-021A	01
0519085-44	11-10-00-05	-021A	01	0519088-45	11-10-00-06	-031A	01
0519085-45	11-10-00-05	-031A	01	0519088-5	11-10-00-06	-031	01
0519085-5	11-10-00-05	-031	01	0519088-6	11-10-00-06	-009	02
0519085-6	11-10-00-05	-010	02	0519088-7	11-10-00-06	-008	02
0519085-7	11-10-00-05	-009	02	0519088-8	11-10-00-06	-007	01
0519085-7	11-10-00-05	-039	02	0519088-9	11-10-00-06	-006	01
0519085-8	11-10-00-05	-008	02	0519089-1	25-20-10-04	-001F	NP
0519085-9	11-10-00-05	-006	01	0519089-1	25-20-10-04	-001G	NP
0519087-1	25-10-01-01	-001F	NP	0519089-2	25-20-10-04	-004F	NP
0519087-1	25-10-01-01	-001G	NP	0519089-2	25-20-10-04	-004G	NP
0519087-2	25-10-01-01	-007D	NP	0519089-3	25-20-10-04	-001H	01
0519087-2	25-10-01-01	-007E	NP	0519089-3	25-20-10-04	-001J	01
0519087-3	25-10-01-01	-010B	01	0519089-4	25-20-10-04	-004H	01
0519087-3	25-10-01-01	-010C	01	0519089-4	25-20-10-04	-004J	01
0519087-4	25-10-01-01	-001H	01	0519091-2	56-60-00-01	-001B	01
0519087-4	25-10-01-01	-001J	01	0519091-203	56-60-00-01	-001A	01
0519087-5	25-10-01-01	-007F	01	0519093-1	25-21-00-01	-003M	NP
0519087-5	25-10-01-01	-007G	01	0519093-1	25-21-00-01	-003N	NP
0519087-6	25-10-01-01	-008	01	0519093-2	25-21-00-01	-109	NP
0519087-6	25-10-01-01	-008A	01	0519093-2	25-21-00-01	-110	NP
0519087-7	25-10-01-01	-011	01	0519093-3	25-21-00-01	-081	NP
0519087-7	25-10-01-01	-011A	01	0519093-3	25-21-00-01	-082	NP
0519088-1	11-10-00-06	-041	AR	0519093-4	25-21-00-01	-007B	NP
0519088-10	11-10-00-06	-003	01	0519093-4	25-21-00-01	-007C	NP
0519088-11	11-10-00-06	-002	01	0519094-1	25-21-00-01	-004P	NP
0519088-12	11-10-00-06	-005	01	0519094-1	25-21-00-01	-004Q	NP
0519088-13	11-10-00-06	-004	01	0519094-2	25-21-00-01	-125	NP
0519088-14	11-10-00-06	-010	02	0519094-2	25-21-00-01	-126	NP
0519088-15	11-10-00-06	-019	02	0519094-3	25-21-00-01	-097	NP
0519088-16	11-10-00-06	-018	02	0519094-3	25-21-00-01	-098	NP

CESSNA AIRCRAFT COMPANY
MODEL 172 (SERIES 1996 AND ON)
ILLUSTRATED PARTS CATALOG

PART NUMBER	CH SEC SUBJ FIG	ITEM	REQ	PART NUMBER	CH SEC SUBJ FIG	ITEM	REQ
0519095-1	25-20-00-05	-075B	01	0519098-7	11-10-00-07	-006	02
0519095-1	25-20-00-05	-075C	01	0519098-8	11-10-00-07	-005A	01
0519095-10	25-20-00-06	-075F	01	0519098-9	11-10-00-07	-005	01
0519095-11	25-20-00-05	-018F	01	0519099-1	34-50-01-02	-006	01
0519095-12	25-20-00-06	-018F	01	0519100-1	25-21-00-01	-003P	01
0519095-2	25-20-00-06	-075B	01	0519100-1	25-21-00-01	-003Q	01
0519095-2	25-20-00-06	-075C	01	0519100-2	25-21-00-01	-111	01
0519095-3	25-20-00-05	-018B	01	0519100-2	25-21-00-01	-112	01
0519095-3	25-20-00-05	-018C	01	0519100-3	25-21-00-01	-083	01
0519095-4	25-20-00-06	-018B	01	0519100-3	25-21-00-01	-084	01
0519095-4	25-20-00-06	-018C	01	0519100-4	25-21-00-01	-007D	01
0519095-5	25-20-00-05	-075D	01	0519100-4	25-21-00-01	-007E	01
0519095-5	25-20-00-05	-075E	01	0519101-1	25-21-00-01	-004R	01
0519095-6	25-20-00-06	-075D	01	0519101-1	25-21-00-01	-004S	01
0519095-6	25-20-00-06	-075E	01	0519101-2	25-21-00-01	-127	01
0519095-7	25-20-00-05	-018D	01	0519101-2	25-21-00-01	-128	01
0519095-7	25-20-00-05	-018E	01	0519101-3	25-21-00-01	-099	01
0519095-8	25-20-00-06	-018D	01	0519101-3	25-21-00-01	-100	01
0519095-8	25-20-00-06	-018E	01	0519102-10	11-10-00-08	-004A	01
0519095-9	25-20-00-05	-075F	01	0519102-11	11-10-00-08	-003	01
0519098-1	11-10-00-07	-033	AR	0519102-12	11-10-00-08	-003A	01
0519098-10	11-10-00-07	-004A	01	0519102-13	11-10-00-08	-002	01
0519098-11	11-10-00-07	-004	01	0519102-15	11-10-00-08	-012	02
0519098-12	11-10-00-07	-003	01	0519102-17	11-10-00-08	-011	01
0519098-13	11-10-00-07	-003A	01	0519102-18	11-10-00-08	-011A	01
0519098-14	11-10-00-07	-008	02	0519102-19	11-10-00-08	-010	01
0519098-15	11-10-00-07	-015	02	0519102-2	11-10-00-08	-001	01
0519098-16	11-10-00-07	-014	02	0519102-20	11-10-00-08	-010A	01
0519098-17	11-10-00-07	-013	01	0519102-21	11-10-00-08	-009	01
0519098-18	11-10-00-07	-013A	01	0519102-22	11-10-00-08	-021	02
0519098-19	11-10-00-07	-012	01	0519102-23	11-10-00-08	-020	02
0519098-2	11-10-00-07	-001	01	0519102-24	11-10-00-08	-022	02
0519098-20	11-10-00-07	-012A	01	0519102-25	11-10-00-08	-019	01
0519098-21	11-10-00-07	-011	01	0519102-26	11-10-00-08	-019A	01
0519098-22	11-10-00-07	-011A	01	0519102-27	11-10-00-08	-018	01
0519098-23	11-10-00-07	-016	02	0519102-28	11-10-00-08	-018A	01
0519098-24	11-10-00-07	-023	02	0519102-29	11-10-00-08	-017	01
0519098-25	11-10-00-07	-022	02	0519102-3	11-10-00-08	-008	01
0519098-26	11-10-00-07	-021A	01	0519102-30	11-10-00-08	-017A	01
0519098-27	11-10-00-07	-021	01	0519102-31	11-10-00-08	-016	01
0519098-28	11-10-00-07	-020A	01	0519102-32	11-10-00-08	-029	02
0519098-29	11-10-00-07	-020	01	0519102-33	11-10-00-08	-028	02
0519098-3	11-10-00-07	-009	01	0519102-34	11-10-00-08	-030	02
0519098-30	11-10-00-07	-019A	01	0519102-35	11-10-00-08	-027	01
0519098-31	11-10-00-07	-019	01	0519102-36	11-10-00-08	-027A	01
0519098-32	11-10-00-07	-024	02	0519102-37	11-10-00-08	-025	01
0519098-33	11-10-00-07	-031	02	0519102-38	11-10-00-08	-025A	01
0519098-34	11-10-00-07	-030	02	0519102-39	11-10-00-08	-026	01
0519098-35	11-10-00-07	-029	01	0519102-4	11-10-00-08	-015	01
0519098-36	11-10-00-07	-029A	01	0519102-40	11-10-00-08	-026A	01
0519098-37	11-10-00-07	-028	01	0519102-41	11-10-00-08	-024	01
0519098-38	11-10-00-07	-028A	01	0519102-5	11-10-00-08	-023	01
0519098-39	11-10-00-07	-027	01	0519102-6	11-10-00-08	-006	02
0519098-4	11-10-00-07	-017	01	0519102-6	11-10-00-08	-013	02
0519098-40	11-10-00-07	-027A	01	0519102-7	11-10-00-08	-005	02
0519098-41	11-10-00-07	-032	02	0519102-8	11-10-00-08	-007	02
0519098-42	11-10-00-07	-002	01	0519102-8	11-10-00-08	-014	02
0519098-43	11-10-00-07	-010	01	0519102-9	11-10-00-08	-004	01
0519098-44	11-10-00-07	-018	01	0519103-1	33-10-01-02	-001	01
0519098-45	11-10-00-07	-026	01	0519103-1	33-10-01-02	-001A	01
0519098-5	11-10-00-07	-025	01	0519103-2	33-10-01-02	-002	01
0519098-6	11-10-00-07	-007	02	0519103-3	33-10-01-02	-005	01

CESSNA AIRCRAFT COMPANY
MODEL 172 (SERIES 1996 AND ON)
 ILLUSTRATED PARTS CATALOG

PART NUMBER	CH SEC SUBJ FIG	ITEM	REQ	PART NUMBER	CH SEC SUBJ FIG	ITEM	REQ
0519103-4	33-10-01-02	-001B	01	0519111-20	11-10-00-10	-003A	01
0519103-4	33-10-01-02	-001C	01	0519111-21	11-10-00-10	-011	01
0519104-10	11-10-00-09	-002	02	0519111-22	11-10-00-10	-011A	01
0519104-11	11-10-00-09	-004	01	0519111-23	11-10-00-10	-012	01
0519104-12	11-10-00-09	-004A	01	0519111-24	11-10-00-10	-012A	01
0519104-13	11-10-00-09	-005	01	0519111-25	11-10-00-10	-013	01
0519104-14	11-10-00-09	-005A	01	0519111-26	11-10-00-10	-013A	01
0519104-15	11-10-00-09	-003	01	0519111-27	11-10-00-10	-014	02
0519104-16	11-10-00-09	-006A	02	0519111-28	11-10-00-10	-015	02
0519104-17	11-10-00-09	-007A	02	0519111-29	11-10-00-10	-009	02
0519104-18	11-10-00-09	-002A	02	0519111-3	11-10-00-10	-008	01
0519104-19	11-10-00-09	-004B	01	0519111-30	11-10-00-10	-010	01
0519104-2	11-10-00-09	-001	01	0519111-31	11-10-00-10	-011B	01
0519104-20	11-10-00-09	-004C	01	0519111-32	11-10-00-10	-011C	01
0519104-21	11-10-00-09	-005B	01	0519111-33	11-10-00-10	-012B	01
0519104-22	11-10-00-09	-005C	01	0519111-34	11-10-00-10	-012C	01
0519104-23	11-10-00-09	-003A	01	0519111-35	11-10-00-10	-013B	01
0519104-24	11-10-00-09	-011	02	0519111-36	11-10-00-10	-013C	01
0519104-25	11-10-00-09	-012	02	0519111-37	11-10-00-10	-014A	02
0519104-26	11-10-00-09	-009	02	0519111-38	11-10-00-10	-015A	02
0519104-27	11-10-00-09	-013	01	0519111-39	11-10-00-10	-009A	02
0519104-28	11-10-00-09	-013A	01	0519111-4	11-10-00-10	-008A	01
0519104-29	11-10-00-09	-014	01	0519111-40	11-10-00-10	-010A	01
0519104-3	11-10-00-09	-001A	01	0519111-5	11-10-00-10	-005	01
0519104-30	11-10-00-09	-014A	01	0519111-6	11-10-00-10	-005A	01
0519104-31	11-10-00-09	-015	01	0519111-7	11-10-00-10	-006	01
0519104-32	11-10-00-09	-015A	01	0519111-8	11-10-00-10	-006A	01
0519104-33	11-10-00-09	-010	01	0519111-9	11-10-00-10	-007	02
0519104-34	11-10-00-09	-011A	02	0519114-1	27-10-00-02	-075F	02
0519104-35	11-10-00-09	-012A	02	0519114-1	27-10-00-02	-075G	02
0519104-36	11-10-00-09	-009A	02	0519117-3	25-10-00-05	-012B	01
0519104-37	11-10-00-09	-013B	01	0519117-3	25-10-00-05	-012C	01
0519104-38	11-10-00-09	-013C	01	0519117-4	25-10-00-05	-013B	01
0519104-39	11-10-00-09	-014B	01	0519117-4	25-10-00-05	-013C	01
0519104-4	11-10-00-09	-008	01	0519118-6	25-10-00-05	-014B	01
0519104-40	11-10-00-09	-014C	01	0519118-6	25-10-00-05	-014C	01
0519104-41	11-10-00-09	-015B	01	0519118-7	25-10-00-05	-015B	01
0519104-42	11-10-00-09	-015C	01	0519118-7	25-10-00-05	-015C	01
0519104-43	11-10-00-09	-010A	01	0519119-1	25-21-00-01	-003R	01
0519104-5	11-10-00-09	-008A	01	0519119-1	25-21-00-01	-003S	01
0519104-8	11-10-00-09	-006	02	0519119-2	25-21-00-01	-113	01
0519104-9	11-10-00-09	-007	02	0519119-2	25-21-00-01	-114	01
0519106-1	27-10-00-02	-080	01	0519119-3	25-21-00-01	-085	01
0519106-1	27-10-00-02	-080A	01	0519119-3	25-21-00-01	-086	01
0519106-2	27-10-00-02	-080B	01	0519119-4	25-21-00-01	-007F	01
0519106-2	27-10-00-02	-080C	01	0519119-4	25-21-00-01	-007G	01
0519107-200	27-10-00-02	-075D	02	0519121-1	25-21-00-01	-004T	01
0519107-200	27-10-00-02	-075E	02	0519121-1	25-21-00-01	-004U	01
0519109-1	25-10-00-05	-001	01	0519121-2	25-21-00-01	-129	01
0519109-2	25-10-00-05	-002	01	0519121-2	25-21-00-01	-130	01
0519111-1	11-10-00-10	-001	01	0519121-3	25-21-00-01	-101	01
0519111-10	11-10-00-10	-004	02	0519121-3	25-21-00-01	-102	01
0519111-11	11-10-00-10	-002	02	0519121-4	25-21-00-01	-004V	01
0519111-12	11-10-00-10	-003	01	0519121-5	25-21-00-01	-130A	01
0519111-13	11-10-00-10	-005B	01	0519121-6	25-21-00-01	-102A	01
0519111-14	11-10-00-10	-005C	01	0519122-1	11-10-00-11	-001	01
0519111-15	11-10-00-10	-006B	01	0519122-10	11-10-00-11	-004	01
0519111-16	11-10-00-10	-006C	01	0519122-11	11-10-00-11	-006	02
0519111-17	11-10-00-10	-007A	02	0519122-12	11-10-00-11	-007	02
0519111-18	11-10-00-10	-004A	02	0519122-13	11-10-00-11	-002	02
0519111-19	11-10-00-10	-002A	02	0519122-14	11-10-00-11	-003	01
0519111-2	11-10-00-10	-001A	01	0519122-15	11-10-00-11	-005B	01

CESSNA AIRCRAFT COMPANY
MODEL 172 (SERIES 1996 AND ON)
 ILLUSTRATED PARTS CATALOG

PART NUMBER	CH	SEC	SUBJ	FIG	ITEM	REQ	PART NUMBER	CH	SEC	SUBJ	FIG	ITEM	REQ
0519122-16	11-10-00-11				-005C	01	0519123-7	11-10-00-12				-003	01
0519122-17	11-10-00-11				-004B	01	0519123-8	11-10-00-12				-003A	01
0519122-18	11-10-00-11				-004C	01	0519123-9	11-10-00-12				-003B	01
0519122-19	11-10-00-11				-006A	02	0519124-1	11-10-00-13				-001	01
0519122-2	11-10-00-11				-001B	01	0519124-10	11-10-00-13				-006A	01
0519122-20	11-10-00-11				-007B	02	0519124-11	11-10-00-13				-007	01
0519122-21	11-10-00-11				-002B	02	0519124-12	11-10-00-13				-007A	01
0519122-22	11-10-00-11				-003B	01	0519124-13	11-10-00-13				-002	01
0519122-23	11-10-00-11				-005D	01	0519124-14	11-10-00-13				-002A	01
0519122-24	11-10-00-11				-005E	01	0519124-15	11-10-00-13				-006B	01
0519122-25	11-10-00-11				-004D	01	0519124-16	11-10-00-13				-006C	01
0519122-26	11-10-00-11				-004E	01	0519124-17	11-10-00-13				-007B	01
0519122-27	11-10-00-11				-006B	02	0519124-18	11-10-00-13				-007C	01
0519122-28	11-10-00-11				-007D	02	0519124-19	11-10-00-13				-002B	01
0519122-29	11-10-00-11				-002A	02	0519124-2	11-10-00-13				-001A	01
0519122-3	11-10-00-11				-001D	01	0519124-20	11-10-00-13				-002C	01
0519122-30	11-10-00-11				-003D	01	0519124-3	11-10-00-13				-003	01
0519122-31	11-10-00-11				-007A	02	0519124-4	11-10-00-13				-003A	01
0519122-32	11-10-00-11				-003A	01	0519124-5	11-10-00-13				-004	01
0519122-33	11-10-00-11				-007C	02	0519124-6	11-10-00-13				-004A	01
0519122-34	11-10-00-11				-003C	01	0519124-7	11-10-00-13				-005	01
0519122-35	11-10-00-11				-007E	02	0519124-8	11-10-00-13				-005A	01
0519122-36	11-10-00-11				-003E	01	0519124-9	11-10-00-13				-006	01
0519122-4	11-10-00-11				-001A	01	0520005-3	57-00-00-01				-084	01
0519122-5	11-10-00-11				-001C	01	0520008-0	57-00-00-01				-075	01
0519122-6	11-10-00-11				-001E	01	0520008-0	57-00-00-01				-075A	01
0519122-7	11-10-00-11				-005	01	0520008-1	57-00-00-01				-076	01
0519122-8	11-10-00-11				-005A	01	0520008-1	57-00-00-01				-076A	01
0519122-9	11-10-00-11				-004A	01	0520008-10	57-00-00-01				-076B	01
0519123-1	11-10-00-12				-001	01	0520008-10	57-00-00-01				-076C	01
0519123-13	11-10-00-12				-006	02	0520008-9	57-00-00-01				-075B	01
0519123-14	11-10-00-12				-007	02	0520008-9	57-00-00-01				-075C	01
0519123-15	11-10-00-12				-006A	02	0520015-17	57-00-00-01				-080	01
0519123-16	11-10-00-12				-007A	02	0520015-18	57-00-00-01				-081	01
0519123-17	11-10-00-12				-007B	02	0520016-3	57-00-00-01				-086	01
0519123-18	11-10-00-12				-007C	02	0520016-4	57-00-00-01				-087	01
0519123-19	11-10-00-12				-005	01	0520018-10	57-00-00-01				-002	01
0519123-2	11-10-00-12				-001B	01	0520018-10	57-00-00-01				-002A	01
0519123-20	11-10-00-12				-005A	01	0520018-11	57-00-00-01				-001B	01
0519123-21	11-10-00-12				-004	01	0520018-11	57-00-00-01				-001C	01
0519123-22	11-10-00-12				-004A	01	0520018-12	57-00-00-01				-002B	01
0519123-23	11-10-00-12				-002	01	0520018-12	57-00-00-01				-002C	01
0519123-24	11-10-00-12				-002A	01	0520018-13	57-00-00-01				-001D	NP
0519123-25	11-10-00-12				-002B	01	0520018-13	57-00-00-01				-001E	NP
0519123-26	11-10-00-12				-002C	01	0520018-14	57-00-00-01				-002D	NP
0519123-27	11-10-00-12				-005B	01	0520018-14	57-00-00-01				-002E	NP
0519123-28	11-10-00-12				-005C	01	0520018-17	57-00-00-01				-001F	01
0519123-29	11-10-00-12				-004B	01	0520018-17	57-00-00-01				-001G	01
0519123-3	11-10-00-12				-001D	01	0520018-18	57-00-00-01				-002F	01
0519123-30	11-10-00-12				-004C	01	0520018-18	57-00-00-01				-002G	01
0519123-31	11-10-00-12				-005D	01	0520018-20	57-00-00-01				-002H	01
0519123-32	11-10-00-12				-005E	01	0520018-20	57-00-00-01				-002J	01
0519123-33	11-10-00-12				-004D	01	0520018-21	57-00-00-01				-001K	01
0519123-34	11-10-00-12				-004E	01	0520018-21	57-00-00-01				-001L	01
0519123-35	11-10-00-12				-001F	01	0520018-22	57-00-00-01				-002M	01
0519123-36	11-10-00-12				-009A	01	0520018-22	57-00-00-01				-002N	01
0519123-37	11-10-00-12				-009	01	0520018-23	57-00-00-01				-001H	01
0519123-38	11-10-00-12				-008A	01	0520018-23	57-00-00-01				-001J	01
0519123-39	11-10-00-12				-008	01	0520018-24	57-00-00-01				-002K	01
0519123-4	11-10-00-12				-001A	01	0520018-24	57-00-00-01				-002L	01
0519123-5	11-10-00-12				-001C	01	0520018-25	57-00-00-01				-001M	NP
0519123-6	11-10-00-12				-001E	01	0520018-25	57-00-00-01				-001N	NP

CESSNA AIRCRAFT COMPANY
MODEL 172 (SERIES 1996 AND ON)
ILLUSTRATED PARTS CATALOG

PART NUMBER	CH SEC SUBJ FIG	ITEM	REQ	PART NUMBER	CH SEC SUBJ FIG	ITEM	REQ
0520018-26	57-00-00-01	-002O	NP	0522639-8	57-10-02-01	-096A	01
0520018-26	57-00-00-01	-002P	NP	0522639-9	57-10-02-01	-089B	01
0520018-29	57-00-00-01	-001O	01	0522639-9	57-10-02-01	-089C	01
0520018-29	57-00-00-01	-001P	01	0522641-1	57-10-02-01	-003	02
0520018-30	57-00-00-01	-002Q	01	0522641-2	57-10-02-01	-118	03
0520018-30	57-00-00-01	-002R	01	0522643-1	57-10-02-01	-115	01
0520018-31	57-00-00-01	-001Q	01	0522643-1	57-10-02-01	-115A	01
0520018-32	57-00-00-01	-002S	01	0522643-2	57-10-02-01	-116	01
0520018-9	57-00-00-01	-001	01	0522643-2	57-10-02-01	-116A	01
0520018-9	57-00-00-01	-001A	01	0522643-7	57-10-02-01	-115B	01
0520126-1	28-10-01-01	-018	01	0522643-7	57-10-02-01	-115C	01
0520126-1	28-10-01-01	-018A	01	0522643-8	57-10-02-01	-116B	01
0520126-2	28-10-01-01	-020	01	0522643-8	57-10-02-01	-116C	01
0521101-2	33-44-00-01	-006	02	0522644-1	57-10-02-01	-001	NP
0521101-3	33-44-00-01	-007	01	0522644-1	57-10-02-01	-001A	NP
0521101-4	33-44-00-01	-008	01	0522644-10	57-10-02-01	-002D	01
0521101-6	33-44-00-01	-009	01	0522644-10	57-10-02-01	-002E	01
0521101-7	33-44-00-01	-001	01	0522644-11	57-10-02-01	-225D	01
0522107-1	57-40-00-02	-012	01	0522644-11	57-10-02-01	-225E	01
0522109-1	33-40-00-01	-030	01	0522644-12	57-10-02-01	-226D	01
0522109-1	33-40-00-01A	-021	01	0522644-12	57-10-02-01	-226E	01
0522109-2	33-40-00-01A	-021A	01	0522644-15	57-10-02-01	-001F	01
0522110-1	57-40-00-02	-013	01	0522644-15	57-10-02-01	-001G	01
0522110-13	57-40-00-03	-002	01	0522644-16	57-10-02-01	-002F	01
0522110-14	57-40-00-03	-002A	01	0522644-16	57-10-02-01	-002G	01
0522111-1	57-40-00-02	-014	01	0522644-17	57-10-02-01	-001H	01
0522112-1	33-40-00-01	-031	01	0522644-17	57-10-02-01	-001J	01
0522112-1	33-40-00-01A	-022	01	0522644-18	57-10-02-01	-002H	01
0522112-3	33-40-00-01A	-022A	01	0522644-18	57-10-02-01	-002J	01
0522112-4	33-40-00-01A	-022C	01	0522644-2	57-10-02-01	-002	NP
0522113-2	33-40-00-01	-025	01	0522644-2	57-10-02-01	-002A	NP
0522113-2	33-40-00-01A	-017	01	0522644-3	57-10-02-01	-001B	01
0522113-5	57-40-00-03	-003	01	0522644-3	57-10-02-01	-001C	01
0522113-6	57-40-00-03	-003A	01	0522644-4	57-10-02-01	-002B	01
0522114-1	33-40-00-01	-032	02	0522644-4	57-10-02-01	-002C	01
0522114-1	33-40-00-01A	-023	01	0522644-5	57-10-02-01	-225B	01
0522116-1	33-40-00-01	-033	01	0522644-5	57-10-02-01	-225C	01
0522116-1	33-40-00-01A	-024	01	0522644-6	57-10-02-01	-226B	01
0522150-1	57-10-03-01	-013	01	0522644-6	57-10-02-01	-226C	01
0522150-10	57-10-03-01	-014A	01	0522644-9	57-10-02-01	-001D	01
0522150-11	57-10-03-01	-013A	01	0522644-9	57-10-02-01	-001E	01
0522150-2	57-10-03-01	-014	01	0522645-1	57-10-02-01	-005	01
0522200-1	57-40-00-01	-031	01	0522645-1	57-10-02-01	-005A	01
0522638-1	57-10-02-01	-081	01	0522645-1	57-10-02-01	-005D	01
0522638-2	57-10-02-01	-082	01	0522645-2	57-10-02-01	-006	01
0522639-1	57-10-02-01	-089	01	0522645-2	57-10-02-01	-006A	01
0522639-1	57-10-02-01	-089A	01	0522647-10	22-10-00-01	-257	01
0522639-10	57-10-02-01	-090B	01	0522647-11	22-10-00-01	-258	01
0522639-10	57-10-02-01	-090C	01	0522647-12	22-10-00-01	-259	01
0522639-13	57-10-02-01	-089D	01	0522647-13	22-10-00-01	-253	01
0522639-14	57-10-02-01	-090D	01	0522647-15	22-10-00-01	-260	01
0522639-17	57-10-02-01	-095C	01	0522647-16	22-10-00-01	-254	01
0522639-18	57-10-02-01	-120	01	0522647-2	22-10-00-01	-232	01
0522639-19	57-10-02-01	-095B	01	0522647-3	22-10-00-01	-231	01
0522639-2	57-10-02-01	-090	01	0522647-4	27-10-00-03	-158	01
0522639-2	57-10-02-01	-090A	01	0522647-4	27-10-00-03	-158A	01
0522639-20	57-10-02-01	-096B	01	0522647-9	27-10-00-03	-161	01
0522639-5	57-10-02-01	-093	01	0522648-3	22-10-00-01	-261	01
0522639-6	57-10-02-01	-094	01	0522648-4	22-10-00-01	-247	01
0522639-7	57-10-02-01	-095	01	0522649-1	34-53-00-03	-004	01
0522639-7	57-10-02-01	-095A	01	0522649-1	34-53-00-03	-004A	01
0522639-8	57-10-02-01	-096	01	0522649-3	34-53-00-03	-005	01

CESSNA AIRCRAFT COMPANY
MODEL 172 (SERIES 1996 AND ON)
ILLUSTRATED PARTS CATALOG

PART NUMBER	CH SEC SUBJ FIG	ITEM	REQ	PART NUMBER	CH SEC SUBJ FIG	ITEM	REQ
0522649-3	34-53-00-03	-005A	01	0523026-11	57-40-00-01	-009A	01
0522650-5	27-10-00-03	-169	01	0523026-12	57-40-00-01	-009	01
0522650-6	27-10-00-03	-166	01	0523026-9	57-40-00-01	-012A	01
0522650-6	27-10-00-03	-166A	01	0523027-1	57-40-00-01	-028	04
0522651-1	57-10-02-01	-005B	01	0523027-2	57-40-00-01	-029	01
0522651-1	57-10-02-01	-005C	01	0523027-3	57-40-00-01	-030	01
0522651-2	57-10-02-01	-006B	01	0523028-17	57-40-00-01	-001	01
0522651-2	57-10-02-01	-006C	01	0523028-17	57-40-00-01	-002	01
0522652-1	57-10-02-01	-080	03	0523028-18	57-40-00-01	-005	01
0522652-1	57-10-02-01	-080A	03	0523028-18	57-40-00-01	-006	01
0522653-1	57-10-02-01	-001K	01	0523028-19	57-40-00-01	-013A	01
0522653-1	57-10-02-01	-001L	01	0523028-20	57-40-00-01	-013	01
0522653-10	57-10-02-01	-002R	01	0523028-49	57-40-00-01	-003	01
0522653-10	57-10-02-01	-002S	01	0523028-49	57-40-00-01	-004	01
0522653-11	57-10-02-01	-001T	01	0523028-50	57-40-00-01	-007	01
0522653-12	57-10-02-01	-002T	01	0523028-50	57-40-00-01	-008	01
0522653-2	57-10-02-01	-002K	01	0523029-11	57-40-00-02	-001D	NP
0522653-2	57-10-02-01	-002L	01	0523029-11	57-40-00-02	-001E	NP
0522653-3	57-10-02-01	-001M	01	0523029-13	57-40-00-02	-001F	01
0522653-3	57-10-02-01	-001N	01	0523029-13	57-40-00-02	-001G	01
0522653-4	57-10-02-01	-002M	01	0523029-14	57-40-00-02	-002B	01
0522653-4	57-10-02-01	-002N	01	0523029-14	57-40-00-02	-002C	01
0522653-5	57-10-02-01	-001P	NP	0523029-15	57-40-00-02	-001H	01
0522653-5	57-10-02-01	-001Q	NP	0523029-15	57-40-00-02	-001J	01
0522653-6	57-10-02-01	-002P	NP	0523029-2	57-40-00-02	-002	01
0522653-6	57-10-02-01	-002Q	NP	0523029-2	57-40-00-02	-002A	01
0522653-9	57-10-02-01	-001R	01	0523029-4	57-40-00-02	-019	01
0522653-9	57-10-02-01	-001S	01	0523029-5	57-40-00-02	-018	01
0522654-1	27-10-00-03	-174	01	0523029-7	57-40-00-02	-001	01
0522654-1	27-10-00-03	-174A	01	0523029-7	57-40-00-02	-001A	01
0522654-2	27-10-00-03	-177	01	0523029-9	57-40-00-02	-001B	01
0522654-5	27-10-00-03	-176	02	0523029-9	57-40-00-02	-001C	01
0522655-4	22-10-00-02A	-008	01	0523030-1	57-40-00-02	-020	01
0522655-5	22-10-00-02A	-009	01	0523030-1	57-40-00-02	-020A	01
0522655-6	22-10-00-02A	-007	01	0523030-2	57-40-00-02	-023	01
0522656-1	57-10-02-01	-225F	NP	0523030-7	57-40-00-02	-020B	01
0522656-1	57-10-02-01	-225G	NP	0523030-7	57-40-00-02	-020C	01
0522656-2	57-10-02-01	-226F	NP	0523030-8	57-40-00-02	-021	01
0522656-2	57-10-02-01	-226G	NP	0523030-8	57-40-00-02	-021A	01
0522656-5	57-10-02-01	-225H	01	0523031-1	57-40-00-02	-003	01
0522656-5	57-10-02-01	-225J	01	0523031-1	57-40-00-02	-003A	01
0522656-6	57-10-02-01	-226H	01	0523031-1	57-40-00-03	-004	01
0522656-6	57-10-02-01	-226J	01	0523031-2	57-40-00-02	-024	01
0523003-62	57-11-00-01	-012	01	0523031-2	57-40-00-03	-004A	01
0523011-12	57-11-00-01	-015	01	0523031-7	57-40-00-02	-003B	01
0523014-13	57-10-01-01	-005	01	0523031-7	57-40-00-02	-003C	01
0523014-14	57-10-01-01	-006	01	0523031-8	57-40-00-02	-004	01
0523015-1	57-10-01-01	-003	01	0523032-1	57-40-00-02	-006	01
0523015-2	57-10-01-01	-004	01	0523032-1	57-40-00-03	-005	01
0523016-2	57-10-01-01	-011	01	0523032-2	57-40-00-02	-025	01
0523017-3	57-10-01-01	-015	01	0523032-2	57-40-00-03	-005A	01
0523017-4	57-10-01-01	-016	01	0523033-1	57-40-00-02	-007	01
0523018-13	57-10-01-01	-001	01	0523033-1	57-40-00-03	-006	01
0523018-14	57-10-01-01	-002	01	0523033-2	57-40-00-02	-026	01
0523019-1	57-10-01-01	-014	01	0523033-2	57-40-00-03	-006A	01
0523020-10	57-10-01-01	-013	01	0523034-1	57-40-00-02	-008	01
0523020-9	57-10-01-01	-012	01	0523034-1	57-40-00-03	-007	01
0523021-10	57-10-01-01	-018	01	0523034-1	57-40-00-03	-007A	01
0523021-9	57-10-01-01	-017	01	0523034-2	57-40-00-02	-027	01
0523022-1	57-10-01-01	-021	01	0523035-1	57-40-00-02	-009	01
0523022-2	57-10-01-01	-022	01	0523035-1	57-40-00-03	-008	01
0523026-10	57-40-00-01	-012	01	0523035-1	57-40-00-03	-008A	01

CESSNA AIRCRAFT COMPANY
MODEL 172 (SERIES 1996 AND ON)
ILLUSTRATED PARTS CATALOG

PART NUMBER	CH SEC SUBJ FIG	ITEM	REQ	PART NUMBER	CH SEC SUBJ FIG	ITEM	REQ
0523035-2	57-40-00-02	-028	01	0523080-38	57-10-00-01	-002L	01
0523036-1	57-40-00-02	-010	NP	0523080-39	57-10-00-01	-001K	01
0523036-1	57-40-00-02	-010A	NP	0523080-39	57-10-00-01	-001L	01
0523036-2	57-40-00-02	-029	NP	0523080-4	57-11-00-01	-014	01
0523036-2	57-40-00-02	-029A	NP	0523080-40	57-11-00-01	-002D	01
0523036-3	57-40-00-02	-011	01	0523080-40	57-11-00-01	-002E	01
0523036-3	57-40-00-02	-011A	01	0523080-42	57-10-00-01	-002M	01
0523036-4	57-40-00-02	-030	01	0523080-42	57-10-00-01	-002N	01
0523036-4	57-40-00-02	-030A	01	0523080-43	57-10-00-01	-001O	01
0523037-1	57-10-01-01	-040	01	0523080-43	57-10-00-01	-001P	01
0523037-2	57-10-01-01	-039	01	0523080-44	57-10-00-01	-002Q	01
0523037-3	57-10-01-01	-036	01	0523080-44	57-10-00-01	-002R	01
0523037-4	57-10-01-01	-033	02	0523080-45	57-10-00-01	-001M	01
0523040-1	57-10-01-01	-031	01	0523080-45	57-10-00-01	-001N	01
0523040-2	57-10-01-01	-032	01	0523080-46	57-10-00-01	-002O	01
0523042-1	57-10-02-01	-110	01	0523080-46	57-10-00-01	-002P	01
0523043-1	57-10-01-01	-034	02	0523080-47	57-10-00-01	-001Q	NP
0523043-2	57-10-01-01	-035	02	0523080-47	57-10-00-01	-001R	NP
0523044-1	57-10-01-01	-037	01	0523080-48	57-10-00-01	-002S	NP
0523044-2	57-10-01-01	-038	01	0523080-48	57-10-00-01	-002T	NP
0523045-1	57-11-00-01	-024	01	0523080-5	57-11-00-01	-001	01
0523045-2	57-11-00-01	-025	01	0523080-5	57-11-00-01	-001A	01
0523045-5	57-11-00-01	-022	01	0523080-51	57-10-00-01	-001S	01
0523045-6	57-11-00-01	-023	01	0523080-51	57-10-00-01	-001T	01
0523046-5	57-10-02-01	-107	01	0523080-52	57-10-00-01	-002U	01
0523046-6	57-10-02-01	-108	01	0523080-52	57-10-00-01	-002V	01
0523047-1	57-10-03-01	-017	01	0523080-53	57-10-00-01	-001U	01
0523047-2	57-10-03-01	-018	01	0523080-54	57-10-00-01	-002W	01
0523047-3	57-10-03-01	-017A	01	0523080-6	57-11-00-01	-002	01
0523047-4	57-10-03-01	-018A	01	0523080-6	57-11-00-01	-002A	01
0523048-1	57-40-00-01	-017	01	0523082-1	57-10-02-01	-099	02
0523048-2	57-40-00-01	-019	01	0523083-5	57-10-02-01	-086	01
0523079-10	57-10-02-01	-162	02	0523083-6	57-10-02-01	-087	01
0523079-9	57-10-02-01	-161	02	0523084-1	57-10-02-01	-154	01
0523080-20	57-10-00-01	-002	NP	0523084-2	57-10-02-01	-155	01
0523080-20	57-10-00-01	-002A	NP	0523085-1	57-10-00-01	-003	01
0523080-21	57-10-00-01	-001	NP	0523085-2	57-10-00-01	-004	01
0523080-21	57-10-00-01	-001A	NP	0523089-1	57-10-02-01	-101	01
0523080-23	57-10-00-01	-001B	NP	0523089-2	57-10-02-01	-102	01
0523080-23	57-10-00-01	-001C	NP	0523090-1	57-10-02-01	-156	01
0523080-24	57-10-00-01	-002B	NP	0523090-2	57-10-02-01	-157	01
0523080-24	57-10-00-01	-002C	NP	0523095-10	57-10-02-01	-227	01
0523080-25	57-10-00-01	-001D	01	0523095-10	57-10-02-01	-227A	01
0523080-25	57-10-00-01	-001E	01	0523095-11	57-10-02-01	-225	01
0523080-26	57-10-00-01	-002D	01	0523095-11	57-10-02-01	-225A	01
0523080-26	57-10-00-01	-002E	01	0523095-12	57-10-02-01	-226	01
0523080-27	57-11-00-01	-001B	01	0523095-12	57-10-02-01	-226A	01
0523080-27	57-11-00-01	-001C	01	0523095-23	57-10-02-01	-227B	01
0523080-28	57-11-00-01	-002B	NP	0523095-23	57-10-02-01	-227C	01
0523080-28	57-11-00-01	-002C	NP	0523095-24	57-10-02-01	-227D	01
0523080-3	57-11-00-01	-013	01	0523095-24	57-10-02-01	-227E	01
0523080-31	57-11-00-01	-005	01	0523096-5	57-10-02-01	-103	01
0523080-31	57-11-00-01	-005A	01	0523096-6	57-10-02-01	-104	01
0523080-32	57-10-00-01	-002F	01	0523096-7	57-10-02-01	-105	01
0523080-32	57-10-00-01	-002G	01	0523096-8	57-10-02-01	-106	01
0523080-33	57-10-00-01	-001F	01	0523097-1	57-11-00-01	-026	01
0523080-33	57-10-00-01	-001G	01	0523097-10	57-11-00-01	-019	01
0523080-34	57-10-00-01	-002H	NP	0523097-11	57-11-00-01	-020	01
0523080-34	57-10-00-01	-002J	NP	0523097-12	57-11-00-01	-021	01
0523080-35	57-10-00-01	-001H	NP	0523097-2	57-11-00-01	-027	01
0523080-35	57-10-00-01	-001J	NP	0523097-3	57-11-00-01	-028	01
0523080-38	57-10-00-01	-002K	01	0523097-4	57-11-00-01	-029	01

CESSNA AIRCRAFT COMPANY
MODEL 172 (SERIES 1996 AND ON)
 ILLUSTRATED PARTS CATALOG

PART NUMBER	CH	SEC	SUBJ	FIG	ITEM	REQ	PART NUMBER	CH	SEC	SUBJ	FIG	ITEM	REQ
0523097-5	57	11	00	01	-030	01	0523510-22	57	10	00	01	-010	01
0523097-6	57	11	00	01	-031	01	0523510-23	57	10	00	01	-009	01
0523097-7	57	11	00	01	-016	01	0523510-24	57	10	00	01	-011	01
0523097-8	57	11	00	01	-017	01	0523511-14	57	10	00	01	-015	01
0523097-9	57	11	00	01	-018	01	0523511-15	57	10	00	01	-016	01
0523098-1	57	10	02	01	-231	01	0523512-19	57	10	00	01	-018	01
0523101-1	28	10	01	01	-004	01	0523512-22	57	10	00	01	-019	01
0523101-1	28	10	01	01	-004A	01	0523513-13	57	10	00	01	-079	01
0523101-1	28	10	01	01	-005	01	0523513-14	57	10	00	01	-080	01
0523101-2	28	10	01	01	-008	01	0523514-7	57	10	00	01	-081	01
0523101-4	28	10	01	01	-014	02	0523515-7	57	10	00	01	-082	01
0523101-4	28	10	01	01	-014A	02	0523536-0	27	50	00	01	-005	01
0523101-5	28	10	01	01	-017	01	0523536-0	27	50	00	01	-029	01
0523102-5	28	10	01	01	-024	03	0523537-0	27	50	00	01	-009	02
0523102-6	28	10	01	01	-025	03	0523537-0	27	50	00	01	-022	01
0523113-5	57	40	00	01	-037	01	0523537-2	27	50	00	01	-014	01
0523113-6	57	40	00	01	-037A	01	0523539-10	57	10	02	01	-153	01
0523127-1	57	11	00	01	-001D	01	0523539-7	57	10	02	01	-150	01
0523127-1	57	11	00	01	-001E	01	0523539-8	57	10	02	01	-152	01
0523127-2	57	11	00	01	-002F	01	0523539-9	57	10	02	01	-151	01
0523127-2	57	11	00	01	-002G	01	0523552-2	57	10	02	01	-170	01
0523218-0	27	10	00	03	-182	01	0523553-5	57	10	02	01	-163	01
0523219-2	57	10	00	01	-075	01	0523554-1	57	10	02	01	-164	01
0523219-3	57	10	00	01	-076	01	0523554-2	57	10	02	01	-165	01
0523219-4	57	10	00	01	-077	01	0523565-21	33	40	00	02	-017	NP
0523219-5	57	10	00	01	-078	01	0523565-21	57	10	00	01	-099	NP
0523221-0	27	10	00	03	-193	01	0523565-21	57	10	00	01	-099A	NP
0523222-0	27	10	00	03	-192	01	0523565-22	33	40	00	02	-018	NP
0523230-0	57	10	00	01	-083	01	0523565-22	57	10	00	01	-100	NP
0523230-1	57	10	00	01	-085	01	0523565-22	57	10	00	01	-100A	NP
0523230-4	57	10	00	01	-084	01	0523568-1	22	10	00	02	-020	01
0523230-5	57	10	00	01	-086	01	0523613-1	57	10	03	01	-010	01
0523231-24	25	20	00	01	-003D	01	0523614-1	57	10	03	01	-009	01
0523231-24	25	20	00	02	-004A	01	0523800-0	57	60	00	01	-001D	01
0523231-24	25	20	00	03	-025	01	0523800-0	57	60	00	01	-001E	01
0523231-24	25	20	00	04	-023	01	0523800-1	57	60	00	01	-002	01
0523231-24	25	20	00	05	-087	01	0523800-1	57	60	00	01	-002A	01
0523231-24	25	20	00	06	-088	01	0523800-10	57	60	00	01	-021	01
0523231-24	57	10	02	01	-180	02	0523800-11	57	60	00	01	-022	01
0523232-6	57	10	02	01	-171	01	0523800-12	57	60	00	01	-023	01
0523233-11	57	10	02	01	-186	01	0523800-13	57	60	00	01	-024	01
0523233-22	57	10	02	01	-187	01	0523800-36	57	60	00	01	-001B	01
0523233-22	57	10	02	01	-187A	01	0523800-36	57	60	00	01	-001C	01
0523233-28	57	10	02	01	-187B	01	0523800-37	57	60	00	01	-001	01
0523233-28	57	10	02	01	-187C	01	0523800-37	57	60	00	01	-001A	01
0523233-29	57	10	02	01	-188B	01	0523800-6	57	60	00	01	-017	01
0523233-29	57	10	02	01	-188C	01	0523800-7	57	60	00	01	-018	01
0523233-3	57	10	02	01	-188	01	0523800-8	57	60	00	01	-019	01
0523233-3	57	10	02	01	-188A	01	0523800-9	57	60	00	01	-020	01
0523306-0	57	10	01	01	-007	01	0523806-0	57	60	00	01	-005	NP
0523307-1	57	10	03	01	-007	01	0523806-1	57	60	00	01	-006	NP
0523406-4	57	10	01	01	-030	01	0523806-202	57	60	00	01	-006A	01
0523406-5	57	10	01	01	-029	01	0523808-0	57	60	00	01	-007	02
0523407-0	57	10	02	01	-189	01	0523808-2	57	60	00	01	-008	02
0523407-1	57	10	02	01	-190	01	0523809-0	57	60	00	01	-009	01
0523408-0	27	10	00	03	-075A	01	0523809-1	57	60	00	01	-010	01
0523408-0	57	10	00	01	-017	01	0523810-0	57	60	00	01	-011	01
0523409-0	57	10	02	01	-111	01	0523811-0	57	60	00	01	-012	01
0523509-18	57	10	00	01	-005	01	0523811-1	57	60	00	01	-013	01
0523510-19	57	10	00	01	-006	01	0523813-1	57	60	00	01	-025	01
0523510-20	57	10	00	01	-007	01	0523813-6	57	60	00	01	-027	01
0523510-21	57	10	00	01	-008	01	0523813-7	57	60	00	01	-028	01

CESSNA AIRCRAFT COMPANY
MODEL 172 (SERIES 1996 AND ON)
 ILLUSTRATED PARTS CATALOG

PART NUMBER	CH SEC SUBJ FIG	ITEM	REQ	PART NUMBER	CH SEC SUBJ FIG	ITEM	REQ
0523813-8	57-60-00-01	-026	01	0528010-3	27-50-00-01	-032C	01
0523814-10	57-60-00-01	-016D	01	0528010-4	27-50-00-01	-032D	01
0523814-10	57-60-00-01	-016E	01	0528010-4	27-50-00-01	-032E	01
0523814-6	57-60-00-01	-016	02	0530010-11	55-10-00-01	-091B	01
0523814-6	57-60-00-01	-016A	02	0530010-11	55-10-00-01	-091C	01
0523814-9	57-60-00-01	-016B	01	0530010-12	55-10-00-01	-092B	01
0523814-9	57-60-00-01	-016C	01	0530010-12	55-10-00-01	-092C	01
0523816-1	57-60-00-01	-029	03	0530010-5	55-10-00-01	-091	NP
0523901-13	57-50-00-01	-016	02	0530010-5	55-10-00-01	-091A	NP
0523901-14	57-50-00-01	-015	02	0530010-6	55-10-00-01	-092	NP
0523901-2	57-50-00-01	-022	01	0530010-6	55-10-00-01	-092A	NP
0523901-3	57-50-00-01	-023	01	0530011-2	53-21-00-01	-019	02
0523901-35	57-50-00-01	-001	01	0531006-107	55-40-00-01	-026	01
0523901-35	57-50-00-01	-001A	01	0531006-113	55-30-00-01	-028	01
0523901-36	57-50-00-01	-024	01	0531006-114	55-30-00-01	-001	01
0523901-37	57-50-00-01	-018	01	0531006-114	55-30-00-01	-001A	01
0523901-38	57-50-00-01	-002	01	0531006-117	55-30-00-01	-001B	01
0523901-38	57-50-00-01	-002A	01	0531006-117	55-30-00-01	-001C	01
0523901-39	57-50-00-01	-025	01	0531006-13	55-30-00-01	-013	01
0523901-6	57-50-00-01	-026	01	0531006-15	55-30-00-01	-014	01
0523901-7	57-50-00-01	-027	01	0531006-16	55-30-00-01	-012	01
0523902-1	57-50-00-01	-001B	01	0531006-18	55-30-00-01	-016	01
0523902-1	57-50-00-01	-001C	01	0531006-19	55-30-00-01	-017	01
0523902-2	57-50-00-01	-002B	01	0531006-20	55-30-00-01	-018	01
0523902-2	57-50-00-01	-002C	01	0531006-39	55-30-00-01	-023	NP
0523902-3	57-50-00-01	-024A	01	0531006-44	55-30-00-01	-024	NP
0523902-3	57-50-00-01	-024B	01	0531006-49	55-30-00-01	-025	01
0523902-4	57-50-00-01	-025A	01	0531006-5	55-30-00-01	-011	01
0523902-4	57-50-00-01	-025B	01	0531006-54	55-30-00-01	-022	01
0523902-5	57-50-00-01	-026A	01	0531006-87	55-30-00-01	-015	01
0523902-5	57-50-00-01	-026B	01	0531006-9	55-30-00-01	-027	01
0523902-6	57-50-00-01	-027A	01	0531006-95	55-30-00-01	-009	01
0523902-6	57-50-00-01	-027B	01	0531006-96	55-30-00-01	-007	01
0523902-7	57-50-00-01	-018A	01	0531008-1	55-40-00-01	-024	01
0523902-7	57-50-00-01	-018B	01	0531012-2	53-50-00-01	-006	01
0523911-0	57-50-00-01	-010	01	0531018-1	55-40-00-01	-015	01
0523911-1	57-50-00-01	-011	01	0531018-2	55-40-00-01	-014	01
0523912-0	57-50-00-01	-012	01	0531018-3	55-40-00-01	-013	01
0523912-1	57-50-00-01	-013	01	0531018-4	55-40-00-01	-012	01
0523914-0	57-50-00-01	-016A	01	0531018-6	55-40-00-01	-009	01
0523914-0	57-50-00-01	-017	01	0531018-7	55-40-00-01	-010	01
0523914-1	57-50-00-01	-015A	01	0531019-3	53-50-00-01	-005	01
0523918-0	27-50-00-01	-018	01	0531019-4	53-50-00-01	-004	01
0523918-0	57-50-00-01	-019	01	0531019-5	53-50-00-01	-003	01
0523919-0	57-50-00-01	-007	04	0531019-8	53-50-00-01	-001	01
0523920-0	57-50-00-01	-005	01	0531019-9	53-50-00-01	-002	01
0523921-0	57-50-00-01	-006	03	0531020-1	53-20-00-01	-326	01
0523923-0	57-50-00-01	-014	03	0531033-10	33-43-00-01	-009	01
0523929-1	57-40-00-03	-001	01	0531033-14	33-43-00-02	-014	01
0523929-2	57-40-00-03	-001B	01	0531033-15	33-43-00-02	-010	NP
0523929-3	57-40-00-03	-009	01	0531033-15	33-43-00-02	-010A	NP
0523929-4	57-40-00-03	-009A	01	0531034-1	55-30-00-01	-020	01
0525001-1	57-10-02-01	-178	02	0531037-1	55-10-00-01	-086	01
0525001-1	57-10-02-01	-179	02	0531103-1	55-30-00-01	-025A	01
0525001-2	57-10-02-01	-181	01	0531103-2	55-30-00-01	-024A	01
0526015-1	28-10-01-01	-009D	01	0531103-3	55-30-00-01	-023A	01
0526015-1	28-10-01-01	-009E	01	0531105-10	55-20-00-01	-087	01
0528008-3	57-00-00-01	-091	01	0531105-11	55-20-00-01	-088	01
0528008-4	57-00-00-01	-091A	01	0531115-1	55-30-00-01	-005A	AR
0528010-1	27-50-00-01	-032	01	0531115-2	55-30-00-01	-005B	AR
0528010-1	27-50-00-01	-032A	01	0531116-1	55-30-00-01	-019	01
0528010-3	27-50-00-01	-032B	01	0532001-100	55-20-00-01	-079	NP

CESSNA AIRCRAFT COMPANY
MODEL 172 (SERIES 1996 AND ON)
ILLUSTRATED PARTS CATALOG

PART NUMBER	CH SEC SUBJ FIG	ITEM	REQ	PART NUMBER	CH SEC SUBJ FIG	ITEM	REQ
0532001-100	55-20-00-01	-080	NP	0532109-1	55-10-00-01	-075A	01
0532001-101	55-20-00-01	-105	01	0532109-2	55-10-00-01	-076	01
0532001-103	55-20-00-01	-101	01	0532109-2	55-10-00-01	-076A	01
0532001-13	55-10-00-01	-012	02	0532109-3	55-10-00-01	-075D	01
0532001-14	55-10-00-01	-013	02	0532109-3	55-10-00-01	-075E	01
0532001-15	55-10-00-01	-014	02	0532109-4	55-10-00-01	-076D	01
0532001-16	55-10-00-01	-015	02	0532109-4	55-10-00-01	-076E	01
0532001-17	55-10-00-01	-016	01	0532110-1	55-10-00-01	-030B	02
0532001-21	55-10-00-01	-018	02	0532110-1	55-10-00-01	-030C	02
0532001-22	55-10-00-01	-019	02	0532110-2	55-10-00-01	-033B	02
0532001-23	55-10-00-01	-020	01	0532110-2	55-10-00-01	-033C	02
0532001-29	55-20-00-01	-017	01	0532111-1	55-10-00-01	-081B	01
0532001-30	55-20-00-01	-093	01	0532111-1	55-10-00-01	-081C	01
0532001-31	55-20-00-01	-094	01	0532111-3	55-10-00-01	-083B	01
0532001-32	55-20-00-01	-095	01	0532111-3	55-10-00-01	-083C	01
0532001-33	55-20-00-01	-096	01	0533134-1	55-40-00-01	-029	01
0532001-35	55-20-00-01	-097	01	0533150-10	55-40-00-01	-001H	01
0532001-42	55-20-00-01	-106	01	0533150-10	55-40-00-01	-001J	01
0532001-43	55-20-00-01	-107	01	0533150-2	55-40-00-01	-006	01
0532001-44	55-20-00-01	-108	01	0533150-3	55-40-00-01	-007	01
0532001-45	55-20-00-01	-091	01	0533150-4	55-40-00-01	-008	01
0532001-48	55-20-00-01	-109	01	0533150-5	55-40-00-01	-001	01
0532001-50	55-10-00-01	-026	02	0533150-5	55-40-00-01	-001A	01
0532001-7	55-10-00-01	-082	02	0533150-7	55-40-00-01	-001B	NP
0532001-7	55-10-00-01	-082A	02	0533150-7	55-40-00-01	-001C	NP
0532001-76	55-10-00-01	-023	02	0533150-8	55-40-00-01	-001D	NP
0532001-77	55-10-00-01	-017	02	0533150-8	55-40-00-01	-001E	NP
0532001-78	55-10-00-01	-025	02	0533150-9	55-40-00-01	-001F	01
0532001-8	55-10-00-01	-083	01	0533150-9	55-40-00-01	-001G	01
0532001-8	55-10-00-01	-083A	01	0533151-2	55-40-00-01	-017	01
0532001-80	55-20-00-01	-104	01	0533151-3	55-40-00-01	-016	01
0532001-81	55-10-00-01	-084	02	0533152-3	55-40-00-01	-023	01
0532001-82	55-20-00-01	-019	01	0533153-1	55-40-00-01	-027	01
0532001-83	55-20-00-01	-018	01	0533154-1	55-40-00-01	-020	01
0532001-84	55-20-00-01	-103	01	0533154-2	55-40-00-01	-019	01
0532001-85	55-20-00-01	-102	01	0533154-3	55-40-00-01	-018	01
0532001-86	55-20-00-01	-083	01	0533155-1	55-40-00-01	-025	NP
0532001-87	55-20-00-01	-084	01	0533155-1	55-40-00-01	-025A	NP
0532001-92	55-20-00-01	-100	01	0533155-2	55-40-00-01	-030	NP
0532001-93	55-10-00-01	-024	NP	0533155-2	55-40-00-01	-030A	NP
0532001-93	55-10-00-01	-024B	NP	0533156-1	55-40-00-01	-033	01
0532001-94	55-20-00-01	-075	NP	0533157-1	55-40-00-01	-034	01
0532001-94	55-20-00-01	-076	NP	0533158-1	55-40-00-01	-022	01
0532001-96	55-10-00-01	-081	01	0534122-1	27-30-00-01	-018	NP
0532001-96	55-10-00-01	-081A	01	0534122-1	27-30-00-01	-018A	NP
0532001-98	55-10-00-01	-085	01	0534122-1	55-20-00-01	-001	NP
0532001-99	55-10-00-01	-011	02	0534122-1	55-20-00-01	-001A	NP
0532006-1	55-10-00-01	-089	01	0534126-1	55-20-00-01	-089	05
0532009-1	55-10-00-01	-087	01	0534126-2	55-20-00-01	-090	02
0532042-3	55-10-00-01	-039A	01	0534127-1	55-20-00-01	-092	01
0532042-4	55-10-00-01	-039B	01	0534128-1	27-30-00-01	-018B	01
0532104-0	55-10-00-01	-031	01	0534128-1	27-30-00-01	-018C	01
0532104-0	55-10-00-01	-034	01	0534128-1	55-20-00-01	-001B	01
0532104-0	55-40-00-01	-003	03	0534128-1	55-20-00-01	-001C	01
0532105-3	55-20-00-01	-085	01	0541139-0	32-32-01-01	-008	01
0532105-4	55-20-00-01	-086	01	0541191-1	32-11-00-01	-007	01
0532105-6	55-10-00-01	-030	02	0541191-2	32-11-00-01	-008	01
0532105-6	55-10-00-01	-030A	02	0541191-3	32-11-00-01	-009	01
0532105-9	55-10-00-01	-033	02	0541191-4	32-11-00-01	-010	01
0532105-9	55-10-00-01	-033A	02	0541191-5	32-11-00-01	-011	01
0532108-1	55-20-00-01	-025	01	0541193-7	32-11-00-01	-001	01
0532109-1	55-10-00-01	-075	01	0541193-8	32-11-00-01	-002	01

CESSNA AIRCRAFT COMPANY
MODEL 172 (SERIES 1996 AND ON)
 ILLUSTRATED PARTS CATALOG

PART NUMBER	CH SEC SUBJ FIG	ITEM	REQ	PART NUMBER	CH SEC SUBJ FIG	ITEM	REQ
0541195-5	53-11-00-03	-012	01	0543003-0	32-20-00-01	-023	01
0541195-6	53-11-00-03	-013	01	0543008-2	32-20-01-01	-002	NP
0541196-1	53-11-00-03	-016	01	0543013-1	53-10-00-02	-087	01
0541196-2	53-11-00-03	-017	01	0543015-6	53-10-00-02	-098	NP
0541198-10	32-10-00-01	-009	NP	0543015-6	53-10-00-02	-098A	NP
0541198-10	32-10-00-01	-009A	NP	0543016-1	53-10-00-02	-021	01
0541198-11	32-10-00-01	-010B	01	0543018-1	32-20-00-01	-004	01
0541198-11	32-10-00-01	-010C	01	0543019-1	32-50-00-01	-007	01
0541198-12	32-10-00-01	-011B	01	0543019-1	32-50-00-01	-007A	01
0541198-12	32-10-00-01	-011C	01	0543019-2	32-50-00-01	-008	01
0541198-13	32-10-00-01	-008B	01	0543019-2	32-50-00-01	-008A	01
0541198-13	32-10-00-01	-008C	01	0543020-0	32-50-00-01	-009	01
0541198-14	32-10-00-01	-009B	01	0543020-0	32-50-00-01	-009A	01
0541198-14	32-10-00-01	-009C	01	0543021-0	32-50-00-01	-010	NP
0541198-7	32-10-00-01	-010	NP	0543021-0	32-50-00-01	-010A	NP
0541198-7	32-10-00-01	-010A	NP	0543021-1	32-50-00-01	-010B	01
0541198-8	32-10-00-01	-011	NP	0543021-1	32-50-00-01	-010C	01
0541198-8	32-10-00-01	-011A	NP	0543022-1	32-50-00-01	-001	NP
0541198-9	32-10-00-01	-008	NP	0543022-1	32-50-00-01	-001A	NP
0541198-9	32-10-00-01	-008A	NP	0543022-11	32-50-00-01	-001D	01
0541199-1	32-10-00-01	-023	01	0543022-11	32-50-00-01	-001E	01
0541200-10	32-10-00-01	-007A	01	0543022-12	32-50-00-01	-002D	01
0541200-7	32-10-00-01	-006	01	0543022-12	32-50-00-01	-002E	01
0541200-8	32-10-00-01	-007	01	0543022-2	32-50-00-01	-002	NP
0541200-9	32-10-00-01	-006A	01	0543022-2	32-50-00-01	-002A	NP
0541202-4	32-10-00-01	-001	02	0543022-7	32-50-00-01	-001B	NP
0541207-3	32-21-00-01	-016	01	0543022-7	32-50-00-01	-001C	NP
0541211-1	32-10-00-01	-018	01	0543022-8	32-50-00-01	-002B	NP
0541211-2	32-10-00-01	-016	01	0543022-8	32-50-00-01	-002C	NP
0541211-3	32-10-00-01	-017	01	0543023-0	32-50-00-01	-004	NP
0541211-5	32-10-00-01	-015	01	0543023-0	32-50-00-01	-004A	NP
0541211-5	32-10-00-01	-015A	01	0543026-1	53-10-00-02	-099	01
0541212-1	32-10-00-01	-012	01	0543027-2	53-10-00-02	-097	NP
0541212-2	32-10-00-01	-013	01	0543027-2	53-10-00-02	-097A	NP
0541218-1	32-11-00-01	-044	01	0543027-3	53-10-00-02	-096	NP
0541218-2	32-11-00-01	-045	01	0543027-3	53-10-00-02	-096A	NP
0541219-1	32-11-00-01	-030	01	0543027-4	53-10-00-02	-097B	01
0541219-2	32-11-00-01	-031	01	0543027-4	53-10-00-02	-097C	01
0541220-1	32-11-00-01	-038	01	0543027-5	53-10-00-02	-096B	01
0541220-2	32-11-00-01	-039	01	0543027-5	53-10-00-02	-096C	01
0541221-1	32-11-00-01	-033	02	0543029-0	32-20-01-01	-025	01
0541221-2	32-21-00-01	-012	01	0543029-0	32-20-01-01A	-030	01
0541222-1	32-11-00-01	-032	01	0543030-1	32-50-00-01	-006	01
0541222-5	32-21-00-01	-017	01	0543030-1	32-50-00-01	-006A	01
0541223-16	32-11-00-01	-028	01	0543032-2	11-N-27-01	-001	01
0541223-17	32-11-00-01	-027	01	0543032-4	11-YR-27-01	-001	01
0541224-1	32-11-00-01	-046	01	0543037-1	32-20-00-01	-022	02
0541224-13	32-11-00-01	-046A	01	0543042-1	32-20-00-01	-007	AR
0541224-14	32-11-00-01	-047A	01	0543042-2	32-20-00-01	-008	AR
0541224-2	32-11-00-01	-047	01	0543043-3	32-20-01-01	-003	01
0541226-1	32-11-00-01	-015	02	0543043-3	32-20-01-01A	-003	01
0542100-6	32-20-02-01	-008	01	0543047-1	32-20-01-01	-034	01
0542100-6	32-20-02-01	-008A	01	0543047-1	32-20-01-01	-051	01
0542101-1	32-20-02-01	-012	NP	0543047-1	32-20-01-01A	-079	01
0542101-1	32-20-02-01	-012B	NP	0543047-1	32-20-01-01A	-098	01
0542102-3	32-20-02-01	-015	01	0543062-20	32-20-01-01	-001B	01
0542102-3	32-20-02-01	-015A	01	0543062-20	32-20-01-01	-001C	01
0542118-5	32-20-02-01	-011	01	0543062-207	32-20-01-01	-060	01
0542118-5	32-20-02-01	-011A	01	0543062-207	32-20-01-01A	-108	01
0542120-1	32-20-02-01	-012A	01	0543062-22	32-20-01-01A	-001	NP
0542120-1	32-20-02-01	-012C	01	0543062-22	32-20-01-01A	-001A	NP
0543001-0	32-20-00-01	-021	02	0543062-24	32-20-01-01A	-001B	NP

CESSNA AIRCRAFT COMPANY
MODEL 172 (SERIES 1996 AND ON)
ILLUSTRATED PARTS CATALOG

PART NUMBER	CH SEC SUBJ FIG	ITEM	REQ	PART NUMBER	CH SEC SUBJ FIG	ITEM	REQ
0543062-24	32-20-01-01A	-001C	NP	0551024-1	76-10-00-01	-014B	01
0543062-25	32-20-01-01A	-001D	NP	0551024-3	76-10-00-01	-014	01
0543062-25	32-20-01-01A	-001E	NP	0551024-3	76-10-00-01	-014A	01
0543062-27	32-20-01-01A	-001F	NP	0552010-47	71-10-00-01	-089	02
0543062-27	32-20-01-01A	-001G	NP	0552010-54	71-10-00-01	-009	02
0543062-29	32-20-01-01A	-001H	01	0552011-12	25-70-00-01	-006	01
0543062-29	32-20-01-01A	-001J	01	0552011-13	25-70-00-01	-007	01
0543062-3	32-20-01-01	-001	01	0552011-14	25-70-00-01	-005	01
0543062-3	32-20-01-01	-001A	01	0552019-33	71-10-00-01	-077	01
0543063-7	32-21-00-01	-019	01	0552019-33	71-10-00-01	-077A	01
0543079-15	32-21-00-01	-001	01	0552019-34	71-10-00-01	-024	01
0543079-15	32-21-00-01	-001A	01	0552019-36	71-10-00-01	-024A	01
0543079-20	32-11-00-01	-033A	04	0552019-36	71-10-00-01	-024B	01
0543079-20	32-21-00-01	-018A	04	0552019-42	71-10-00-01	-077B	01
0543079-20	32-21-00-01	-018B	04	0552019-42	71-10-00-01	-077C	01
0543079-3	32-21-00-01	-001B	NP	0552019-43	71-10-00-01	-024C	01
0543079-3	32-21-00-01	-001C	NP	0552019-43	71-10-00-01	-024D	01
0543084-1	32-11-00-01	-029	01	0552115-5	71-10-00-01	-025	01
0543084-1	32-21-00-01	-018	01	0552115-5	71-10-00-02	-020	01
0543089-1	32-21-00-01	-026	01	0552115-6	71-10-00-02	-024	01
0543089-2	32-21-00-01	-027	01	0552137-1	53-11-00-02	-028	NP
0543090-2	32-20-01-01	-002A	01	0552137-1	53-11-00-02	-028A	NP
0543090-2	32-20-01-01A	-002	01	0552137-2	53-11-00-02	-028B	01
0550236-13	61-10-00-01	-005	NP	0552137-2	53-11-00-02	-028C	01
0550236-14	61-10-00-01	-005A	NP	0552143-3	71-10-00-01	-010A	01
0550236-14	61-10-00-01	-005B	NP	0552143-4	71-10-00-01	-010	01
0550321-10	61-10-00-01	-009	NP	0552151-2	71-10-00-01	-006	01
0550321-10	61-10-00-01	-009A	NP	0552155-1	24-20-00-01	-006	01
0550321-11	61-10-00-01	-009B	NP	0552170-2	71-10-00-01	-088	01
0550321-11	61-10-00-01	-009C	NP	0552170-3	71-10-00-01	-087	01
0550321-12	61-10-00-01	-009D	01	0552173-27	52-40-00-01	-009	01
0550321-12	61-10-00-01	-009E	01	0552212-21	71-10-00-01	-084	01
0550361-12	71-60-00-01	-004	01	0552212-22	71-10-00-01	-085	01
0550361-16	71-60-00-01	-001E	NP	0552212-23	71-10-00-01	-007	01
0550361-24	71-60-00-01	-006	01	0552212-24	71-10-00-01	-008	01
0550361-25	71-60-00-01	-003E	01	0552212-25	71-10-00-01	-003	01
0550361-26	71-60-00-01	-003C	NP	0552212-26	71-10-00-01	-005	01
0550361-29	71-60-00-01	-003B	NP	0552212-29	71-10-00-01	-086	01
0550361-30	71-60-00-01	-003D	01	0552212-34	71-10-00-01	-083	01
0550362-3	71-60-00-01	-009	01	0552212-40	71-10-00-01	-001A	NP
0550364-1	71-60-00-01	-001D	NP	0552212-41	71-10-00-01	-002	01
0550364-13	71-60-00-01	-001	01	0552212-42	71-10-00-01	-004	01
0550364-13	71-60-00-01	-001A	01	0552212-45	71-10-00-01	-075	01
0550364-6	71-60-00-01	-005	01	0552212-46	71-10-00-01	-079	01
0550364-7	71-60-00-01	-001B	NP	0552212-46	71-10-00-01	-080	01
0550364-7	71-60-00-01	-001C	NP	0552212-48	71-10-00-01	-001	NP
0550364-9	71-60-00-01	-003	01	0552212-50	71-10-00-01	-001B	01
0550364-9	71-60-00-01	-003A	01	0552212-50	71-10-00-01	-001C	01
0550366-1	52-40-00-01	-007	01	0552212-52	71-10-00-01	-004A	01
0550366-1	52-40-00-01	-007A	01	0552212-52	71-10-00-01	-004B	01
0550366-4	52-40-00-01	-008	01	0552212-56	71-10-00-01	-081	01
0550366-4	52-40-00-02	-011	01	0552212-56	71-10-00-01	-082	01
0550366-7	52-40-00-01	-008A	01	0552227-1	53-10-01-01	-017	AR
0550367-1	61-10-00-01	-005C	NP	0552227-1	53-10-01-01	-023	AR
0550367-1	61-10-00-01	-005D	NP	0552227-1	53-10-01-01	-083	AR
0550367-2	61-10-00-01	-005G	NP	0552227-1	53-10-01-01	-089	AR
0550367-3	61-10-00-01	-005F	01	0552227-1	71-10-00-01	-026A	AR
0550367-4	61-10-00-01	-005H	01	0552229-3	25-70-00-01	-001	01
0550367-5	61-10-00-01	-005E	01	0552229-4	25-70-00-01	-002	01
0551023-25	71-20-00-01	-001	01	0552229-4	25-70-00-01	-002A	01
0551023-25	71-20-00-02	-001	01	0552229-6	25-70-00-01	-002B	01
0551023-25	71-20-00-03	-001	01	0552229-6	25-70-00-01	-002C	01

CESSNA AIRCRAFT COMPANY
MODEL 172 (SERIES 1996 AND ON)
ILLUSTRATED PARTS CATALOG

PART NUMBER	CH SEC SUBJ FIG	ITEM	REQ	PART NUMBER	CH SEC SUBJ FIG	ITEM	REQ
0552231-1	61-10-00-01	-007	01	0552241-3	71-10-00-02	-075C	NP
0552233-1	71-10-00-01	-011	NP	0552241-4	71-10-00-02	-075F	NP
0552233-1	71-10-00-01	-011A	NP	0552241-4	71-10-00-02	-075G	NP
0552233-11	71-10-00-02	-002	01	0552241-5	71-10-00-02	-086D	01
0552233-11	71-10-00-02	-002A	01	0552241-5	71-10-00-02	-086E	01
0552233-12	71-10-00-02	-007	01	0552241-6	71-10-00-02	-075H	01
0552233-13	71-10-00-02	-002B	01	0552241-6	71-10-00-02	-075J	01
0552233-13	71-10-00-02	-002C	01	0552241-7	71-10-00-02	-086F	01
0552233-3	71-10-00-01	-015	01	0552241-7	71-10-00-02	-086G	01
0552233-5	71-10-00-01	-015A	01	0552242-1	71-10-00-02	-001	NP
0552233-5	71-10-00-01	-015B	01	0552242-1	71-10-00-02	-001A	NP
0552233-7	71-10-00-01	-011B	01	0552242-7	71-10-00-02	-001B	01
0552233-7	71-10-00-01	-011C	01	0552242-7	71-10-00-02	-001C	01
0552233-9	71-10-00-02	-008	01	0553006-4	53-10-01-01	-094	01
0552235-1	52-40-00-01	-001	01	0553006-4	53-10-01-01A	-033	01
0552235-1	52-40-00-01	-001A	01	0553007-2	53-10-01-01	-099	NP
0552235-2	52-40-00-01	-005	01	0553007-2	53-10-01-01	-099A	NP
0552237-1	71-10-00-02	-076	01	0553007-3	53-10-01-01A	-032	02
0552237-1	71-10-00-02	-076A	01	0553019-1	53-10-00-02	-229	01
0552237-2	71-10-00-02	-012	01	0553019-1	53-10-00-02	-229A	01
0552237-4	71-10-00-02	-025	01	0553021-1	53-10-00-02	-230	01
0552237-5	71-10-00-02	-082	08	0553021-1	53-10-00-02	-230A	01
0552237-8	71-10-00-02	-076B	01	0553021-2	53-10-00-02	-230B	01
0552237-8	71-10-00-02	-076C	01	0553021-2	53-10-00-02	-230C	01
0552240-1	71-10-00-02	-026	01	0553021-3	53-10-00-02	-229B	01
0552240-11	71-10-00-02	-083	02	0553021-3	53-10-00-02	-229C	01
0552240-13	71-10-00-02	-084	01	0553022-1	53-10-00-02	-225	01
0552240-14	71-10-00-02	-085	01	0553022-1	53-10-00-02	-225A	01
0552240-16	52-40-00-02	-014	01	0553022-2	53-10-00-02	-225B	01
0552240-16	52-40-00-02	-014A	01	0553022-2	53-10-00-02	-225C	01
0552240-18	52-40-00-02	-013	NP	0553028-1	24-34-00-01	-013	01
0552240-18	52-40-00-02	-013A	NP	0553028-3	24-34-00-01	-015	01
0552240-19	52-40-00-02	-009	01	0553028-4	24-34-00-01	-016	01
0552240-19	52-40-00-02	-009A	01	0553028-4	71-11-00-01	-015	01
0552240-21	52-40-00-02	-012	01	0553028-4	71-11-00-01	-022	01
0552240-22	52-40-00-02	-013B	01	0553031-1	53-10-01-01	-001	01
0552240-22	52-40-00-02	-013C	01	0553031-1	53-10-01-01	-001A	01
0552240-24	52-40-00-02	-001	01	0553031-10	53-10-01-01A	-020	01
0552240-24	52-40-00-02	-001A	01	0553031-12	53-10-01-01A	-021	01
0552240-25	52-40-00-02	-003	01	0553031-15	53-10-01-01	-104	01
0552240-26	52-40-00-02	-010	01	0553031-15	53-10-01-01	-104A	01
0552240-27	52-40-00-02	-009B	01	0553031-16	53-10-01-01	-005B	NP
0552240-27	52-40-00-02	-009C	01	0553031-16	53-10-01-01	-005C	NP
0552240-34	52-40-00-02	-016	01	0553031-17	53-10-01-01	-002	01
0552240-34	52-40-00-02	-016A	01	0553031-17	53-10-01-01	-002A	01
0552240-35	52-40-00-02	-015	NP	0553031-18	53-10-01-01	-004	01
0552240-35	52-40-00-02	-015A	NP	0553031-18	53-10-01-01	-004A	01
0552240-37	52-40-00-02	-016B	01	0553031-2	53-10-01-01	-003	01
0552240-37	52-40-00-02	-016C	01	0553031-2	53-10-01-01	-003A	01
0552240-38	52-40-00-02	-015B	01	0553031-20	53-10-01-01	-104B	01
0552240-38	52-40-00-02	-015C	01	0553031-20	53-10-01-01	-104C	01
0552240-39	52-40-00-02	-023	01	0553031-21	53-10-01-01A	-018	01
0552240-39	52-40-00-02	-023A	01	0553031-22	53-10-01-01	-005D	01
0552241-1	71-10-00-02	-075	NP	0553031-22	53-10-01-01	-005E	01
0552241-1	71-10-00-02	-075A	NP	0553031-3	53-10-01-01	-075	01
0552241-2	71-10-00-02	-086	NP	0553031-4	53-10-01-01	-005	01
0552241-2	71-10-00-02	-086A	NP	0553031-4	53-10-01-01	-005A	01
0552241-203	71-10-00-02	-075D	01	0553031-5	53-10-01-01	-103	01
0552241-203	71-10-00-02	-075E	01	0553031-5	53-10-01-01	-103A	01
0552241-204	71-10-00-02	-086B	01	0553031-9	53-10-01-01A	-023	01
0552241-204	71-10-00-02	-086C	01	0553032-1	24-60-00-01	-019	01
0552241-3	71-10-00-02	-075B	NP	0553032-1	24-60-00-01	-019A	01

CESSNA AIRCRAFT COMPANY
MODEL 172 (SERIES 1996 AND ON)
ILLUSTRATED PARTS CATALOG

PART NUMBER	CH SEC SUBJ FIG	ITEM	REQ	PART NUMBER	CH SEC SUBJ FIG	ITEM	REQ
0553032-3	24-60-00-01	-019B	01	0555250-21	71-11-00-01	-165J	01
0553032-3	24-60-00-01	-019C	01	0555250-21	71-11-00-01	-165K	01
0553033-1	53-10-01-01	-019	02	0555250-5	71-11-00-01	-166	NP
0553033-1	53-10-01-01	-019A	02	0555250-5	71-11-00-01	-166A	NP
0553033-1	53-10-01-01	-079	NP	0555250-6	71-11-00-01	-167	NP
0553033-1	53-10-01-01	-079A	NP	0555250-6	71-11-00-01	-167A	NP
0553033-1	53-10-01-01	-085	NP	0555250-7	71-11-00-01	-168	NP
0553033-1	53-10-01-01	-085A	NP	0555250-7	71-11-00-01	-168A	NP
0553033-2	53-10-01-01	-011	NP	0555254-1	71-11-00-01	-085	01
0553033-2	53-10-01-01	-011A	NP	0555259-10	71-11-00-01	-152	NP
0553033-7	53-10-01-01	-020	02	0555259-10	71-11-00-01	-152A	NP
0553033-7	53-10-01-01	-020A	02	0555259-11	71-11-00-01	-153	NP
0553033-7	53-10-01-01	-080	01	0555259-11	71-11-00-01	-153A	NP
0553033-7	53-10-01-01	-080A	01	0555259-12	71-11-00-01	-154	NP
0553033-7	53-10-01-01	-086	02	0555259-12	71-11-00-01	-154A	NP
0553033-7	53-10-01-01	-086A	02	0555259-18	71-11-00-01	-150	01
0553033-7	53-10-01-01A	-009	08	0555259-20	71-11-00-01	-150A	NP
0553033-8	53-10-01-01	-012	06	0555259-20	71-11-00-01	-150B	NP
0553033-8	53-10-01-01	-012A	06	0555259-22	71-11-00-01	-150C	NP
0553033-8	53-10-01-01A	-010	03	0555259-22	71-11-00-01	-150D	NP
0553035-1	53-10-01-01	-106	AR	0555259-24	71-11-00-01	-150E	NP
0553035-1	53-10-01-01A	-014	01	0555259-24	71-11-00-01	-150F	NP
0553035-2	53-10-01-01	-107	AR	0555259-25	71-11-00-01	-152B	01
0553035-2	53-10-01-01A	-015	01	0555259-25	71-11-00-01	-152C	01
0553041-1	53-10-01-01A	-001	01	0555259-26	71-11-00-01	-153B	01
0553042-1	53-10-01-01A	-002	01	0555259-26	71-11-00-01	-153C	01
0553042-2	53-10-01-01A	-003	01	0555259-27	71-11-00-01	-154B	NP
0553045-1	53-10-00-02	-231	NP	0555259-27	71-11-00-01	-154C	NP
0553045-1	53-10-00-02	-231A	NP	0555259-28	71-11-00-01	-150G	01
0553045-2	53-10-00-02	-232	NP	0555259-28	71-11-00-01	-150H	01
0553045-2	53-10-00-02	-232A	NP	0555324-19	71-11-00-01	-162	01
0553045-3	53-10-00-02	-231B	01	0555324-22	80-10-00-01	-001F	01
0553045-3	53-10-00-02	-231C	01	0555324-22	80-10-00-01	-001G	01
0553045-4	53-10-00-02	-232B	01	0555325-1	71-11-00-01	-156	01
0553045-4	53-10-00-02	-232C	01	0555331-1	71-11-00-01	-168D	01
0553046-1	53-10-01-01A	-004	01	0555331-1	71-11-00-01	-168E	01
0553046-2	53-10-01-01A	-019	01	0555331-2	71-11-00-01	-154D	01
0553046-4	53-10-01-01A	-029	04	0555331-2	71-11-00-01	-154E	01
0553046-5	53-10-01-01A	-028	02	0556018-2	79-20-00-01	-009	01
0553046-6	53-10-01-01A	-027	01	0556033-1	73-30-00-01	-006B	01
0553046-7	53-10-01-01A	-043	01	0556033-1	73-30-00-01	-006C	01
0553047-2	24-60-00-01	-019D	01	0556033-2	73-30-00-01	-006D	01
0553047-2	24-60-00-01	-019E	01	0556033-2	73-30-00-01	-006E	01
0554001-12	78-10-00-01	-003A	NP	0560014-5	27-10-00-01	-011	01
0554001-9	78-10-00-01	-003	NP	0560014-6	27-10-00-01	-012	01
0554011-2	78-10-00-01	-002	NP	0560015-5	27-10-00-01	-001	01
0554011-4	78-10-00-01	-002A	NP	0560015-5	27-10-00-01	-001A	01
0555250-11	71-11-00-01	-165	01	0560015-6	27-10-00-01	-001B	01
0555250-13	71-11-00-01	-165A	NP	0560015-6	27-10-00-01	-001C	01
0555250-13	71-11-00-01	-165B	NP	0560015-7	27-10-00-01	-001D	01
0555250-14	71-11-00-01	-165C	NP	0560015-7	27-10-00-01	-001E	01
0555250-14	71-11-00-01	-165D	NP	0560016-1	27-20-00-01	-012	02
0555250-16	71-11-00-01	-165E	NP	0560017-1	27-50-00-02	-091	01
0555250-16	71-11-00-01	-165F	NP	0560019-4	27-50-00-02	-029	01
0555250-17	71-11-00-01	-166B	01	0560021-1	27-50-00-02	-075	01
0555250-17	71-11-00-01	-166C	01	0560021-5	27-50-00-02	-075A	01
0555250-18	71-11-00-01	-167B	01	0560021-5	27-50-00-02	-075B	01
0555250-18	71-11-00-01	-167C	01	0560022-8	27-50-00-02	-076	01
0555250-19	71-11-00-01	-168B	NP	0560022-9	27-50-00-02	-076A	01
0555250-19	71-11-00-01	-168C	NP	0560022-9	27-50-00-02	-076B	01
0555250-20	71-11-00-01	-165G	NP	0560025-6	27-50-00-02	-027	01
0555250-20	71-11-00-01	-165H	NP	0560026-4	27-70-00-01	-002	01

CESSNA AIRCRAFT COMPANY
MODEL 172 (SERIES 1996 AND ON)
ILLUSTRATED PARTS CATALOG

PART NUMBER	CH SEC SUBJ FIG	ITEM	REQ	PART NUMBER	CH SEC SUBJ FIG	ITEM	REQ
0560026-5	27-70-00-01	-001	01	0570542-1	34-10-00-01	-001J	01
0560027-8	27-50-00-02	-032	NP	0570542-1	34-10-00-01	-001K	01
0560027-8	27-50-00-02	-032A	NP	0570552-2	33-11-01-01	-017	01
0560027-9	27-50-00-02	-031	01	0570552-2	33-11-01-01	-018	01
0560029-1	27-50-00-02	-018	01	0570552-4	33-11-01-01	-019	01
0560030-1	53-20-00-01	-077	01	0570552-4	33-11-01-01	-020	01
0560031-1	53-20-00-01	-013	01	0570552-6	33-11-01-02	-014	01
0560037-1	27-50-00-02	-019	01	0570552-8	33-11-01-03	-012	01
0560049-1	27-30-00-01	-005	01	0570554-4	33-43-00-01	-014	01
0560051-1	27-30-01-01	-076	01	0570554-4	33-43-00-02	-015	01
0560051-101	27-30-01-01	-075	01	0570558-1	33-13-00-01	-086	01
0560051-103	27-30-01-01	-083	01	0570558-1	33-13-00-01	-086A	01
0560051-104	27-30-01-01	-077	01	0570558-2	33-13-00-01	-086B	01
0560051-105	27-30-01-01	-079	01	0570558-2	33-13-00-01	-086C	01
0560051-3	27-30-01-01	-084	01	0570559-1	33-13-00-01	-101	01
0560051-4	27-30-01-01	-078	01	0570559-1	33-13-00-01A	-024	01
0560051-5	27-30-01-01	-080	01	0570559-1	33-13-00-01A	-024A	01
0560059-5	27-10-00-02	-002	02	0570570-5	27-50-00-01	-049	01
0560060-1	27-50-00-02	-028	01	0570581-4	31-50-01-01	-004B	01
0560060-1	53-10-01-01	-031	01	0570581-4	31-50-01-01	-004C	01
0560060-1	53-10-01-01A	-038	01	0570581-6	31-50-01-01	-004	01
0560062-1	27-50-00-02	-032B	01	0570581-6	31-50-01-01	-004A	01
0560062-1	27-50-00-02	-032C	NP	0582001-1	27-21-00-01	-015	01
0560065-2	27-10-00-03	-104	01	060-0015-00	34-53-00-02	-001	01
0560065-2	27-10-00-03	-104A	01	06098	26-10-00-01	-002B	01
0560100-1	27-10-00-03	-088	NP	061-14100	32-30-00-01	-020	01
0560100-1	27-10-00-03	-088A	NP	064-01088-0101	34-53-00-04	-001	01
0560100-2	27-10-00-03	-103	01	065-00030-0000	22-10-00-01	-081	01
0560100-2	27-10-00-03	-103A	01	065-00030-0000	22-10-00-01	-228	01
0560100-3	27-10-00-03	-093	03	065-00030-0002	22-10-00-01	-154	01
0560100-3	27-10-00-03	-094	03	065-00176-2501	22-10-00-01	-001	01
0560101-1	22-10-00-01	-269A	01	065-00176-2602	22-10-00-01	-001C	01
0560101-2	22-10-00-01	-268A	01	065-00176-2602	22-10-00-01	-001D	01
0567001-1	27-21-00-01	-002	NP	065-00176-5402	22-10-00-01	-001E	01
0567001-1	27-21-00-01	-002A	NP	065-00176-7702	22-10-00-01	-001F	01
0567001-1	27-21-00-01	-076	NP	065-00176-7702	22-10-00-01	-001G	01
0567001-3	27-21-00-01	-002B	01	065-00176-7703	22-10-00-01	-001K	01
0567001-3	27-21-00-01	-002C	01	065-00176-7703	22-10-00-01	-001L	01
0567001-3	27-21-00-01	-076A	01	065-00176-7904	22-10-00-01	-001M	01
057-05628-0000	11-N-31-01	-007	01	065-00176-7904	22-10-00-01	-001N	01
057-05628-0000	11-N-31-01	-007A	01	065-00178-2200	22-10-00-01	-075	01
0570511-1	24-61-00-01	-043	01	065-00179-0300	22-10-00-01	-225	01
0570512-1	24-61-00-01	-004A	01	065-00179-0300	22-10-00-01	-225A	01
0570512-2	24-34-00-01	-011	01	065-00180-0400	22-10-00-01	-150	01
0570512-3	80-10-00-01	-002	NP	065-0030-00	22-10-00-01	-081A	01
0570512-3	80-10-00-01	-002A	NP	065-0030-00	22-10-00-01	-228A	01
0570512-8	80-10-00-01	-002B	01	066-01055-0003	34-50-00-01	-009	01
0570512-8	80-10-00-01	-002C	01	066-01070-0001	34-60-00-02	-001	01
0570513-2	24-61-00-01	-004B	NP	066-01148-0102	34-51-00-01	-080	01
0570513-3	24-61-00-01	-044	01	066-01148-0102	34-51-00-01	-080A	01
0570514-1	24-61-00-01	-045	01	066-01148-1111	34-51-00-01	-075	01
0570516-2	33-10-01-01	-025	01	066-01148-1111	34-51-00-01	-075A	01
0570516-2	33-10-01-01	-026	01	066-01155-0101	23-50-00-01	-001	01
0570518-1	24-60-01-01	-006	01	066-01155-0201	23-50-00-01	-001A	01
0570519-1	24-61-00-01B	-082	01	066-01155-0201	23-50-00-01	-001B	01
0570519-1	24-61-00-01B	-082A	01	066-01156-0101	34-50-02-01	-001B	NP
0570519-2	24-61-00-01B	-082B	01	066-01156-0101	34-50-02-01	-001C	NP
0570519-2	24-61-00-01B	-082C	01	066-01164-0101	34-50-02-01	-001G	01
0570519-3	24-61-00-01B	-082D	01	066-01176-0101	23-50-00-01	-001E	01
0570519-3	24-61-00-01B	-082E	01	066-01176-0101	23-50-00-01	-001F	01
0570523-3	31-10-00-02	-006	01	066-03046-0007	34-53-00-01	-001B	01
0570530-1	24-61-00-01	-007A	NP	066-03056-0002	34-50-00-01	-005F	01

CESSNA AIRCRAFT COMPANY
MODEL 172 (SERIES 1996 AND ON)
ILLUSTRATED PARTS CATALOG

PART NUMBER	CH SEC SUBJ FIG	ITEM	REQ	PART NUMBER	CH SEC SUBJ FIG	ITEM	REQ
066-03056-0002	34-50-00-01	-005G	01	0705097-4	11-PP-31-01	-001A	02
066-03056-0002	34-50-00-01	-005H	01	0705097-5	11-EC-31-01	-001	02
066-03056-0003	34-50-00-01	-006	01	0705097-5	11-LQ-31-01	-001	02
066-03056-0011	34-50-00-01	-007F	01	0705097-5	11-LQ-31-01	-001A	02
066-03056-0011	34-50-00-01	-007G	01	0705097-5	11-XA-31-01	-001	02
066-04035-0101	23-20-00-01	-001	01	0705097-5	11-XA-31-01	-001A	02
066-04035-0101	23-20-00-01	-001A	01	0705097-6	11-YR-31-01	-001	02
066-10500	32-30-00-01	-022	01	0706012-1	32-32-00-02	-023	01
066-10500	32-30-00-01	-024	01	071-00073-5000	22-10-00-01	-004	01
066-1070-01	34-60-00-02	-001A	01	071-00073-5000	22-10-00-01A	-007	01
066-1072-14	34-50-01-01	-001	01	071-00094-0101	34-51-00-01	-104	01
066-1072-14	34-50-01-01	-001A	01	071-00094-0101	34-51-00-01	-104A	01
066-3046-07	34-53-00-01	-001	01	071-00094-0102	34-51-00-01	-100	01
066-3046-07	34-53-00-01	-001A	01	071-00094-0102	34-51-00-01	-100A	01
066-3063-00	34-50-01-01	-004	01	071-00094-0103	34-51-00-01	-106	01
066-4009-00	34-53-00-02	-005	01	071-00094-0103	34-51-00-01	-106A	01
066-4009-00	34-53-00-02	-005A	01	071-00161-0101	23-20-00-01	-002	01
069-01032-0101	34-50-00-01	-002F	01	071-00161-0101	23-20-00-01	-002A	01
069-01032-0101	34-50-00-01	-002G	01	071-00163-0102	34-51-00-01	-098	01
069-01032-0201	34-50-00-01	-001D	01	071-00163-0102	34-51-00-01	-098A	01
069-01032-0201	34-50-00-01	-001E	01	071-00163-0102	34-51-00-01	-102	01
069-01033-0101	34-50-00-01	-002	01	071-00163-0102	34-51-00-01	-102A	01
069-01033-0101	34-50-00-01	-002A	01	071-00163-0103	34-51-00-01	-105	01
069-01034-0101	34-51-00-01	-076	01	071-00163-0103	34-51-00-01	-105A	01
069-01034-0101	34-51-00-01	-076A	01	071-01234-0000	34-50-01-01	-006	01
069-01034-0102	34-51-00-01	-076B	01	071-01242-0006	34-53-00-01	-002B	01
069-01034-0102	34-51-00-01	-076C	01	071-01553-0200	34-51-00-01	-001	NP
069-02500	32-30-00-01	-029	02	071-01566-0000	34-51-00-01	-007	02
070-312-0	32-31-00-01	-013A	01	071-01620-0001	34-51-00-01	-001A	01
070-314-0	32-30-00-01	-036E	02	071-1052-00	34-53-00-03	-001	01
070-315-0	32-30-00-01	-036A	02	071-1052-00	34-53-00-03	-001A	01
0700103-131	25-20-10-01	-091	01	071-1242-06	34-53-00-01	-002	01
0700103-131	25-20-10-02	-081	02	071-1242-06	34-53-00-01	-002A	01
0700103-131	25-20-10-03	-161	02	071-312-0	32-31-00-01	-013B	01
0700616-1	33-44-00-01	-010	01	071-314-0	32-30-00-01	-036F	02
0700616-2	33-44-00-01	-016	01	071-315-0	32-30-00-01	-036B	02
0700762-19	25-80-00-01	-013A	02	0711001-59	52-10-00-01	-013	01
0700762-19	25-80-00-01	-015	02	0711001-59	52-10-00-02	-013	01
0705042-13	11-D-38-01	-001	01	0711021-11	56-30-00-01	-077	01
0705042-13	11-D-38-01	-001A	01	0711021-12	56-30-00-01	-079	01
0705042-14	11-D-38-01	-002	01	0711021-9	56-30-00-01	-080	01
0705042-14	11-D-38-01	-002A	01	0711050-5	56-30-00-01	-004	01
0705042-15	11-PP-38-01	-001	01	0711050-6	56-30-00-01	-005	01
0705042-15	11-PP-38-01	-001A	01	0711050-7	56-30-00-01	-006	01
0705042-16	11-PP-38-01	-002	01	0711101-34	52-30-00-01	-024	01
0705042-16	11-PP-38-01	-002A	01	0711101-36	53-20-00-01	-107	01
0705042-17	11-EC-38-01	-001	01	0711101-43	53-20-00-01	-108	01
0705042-17	11-LQ-38-01	-001	01	0711101-45	52-30-00-01	-023	01
0705042-17	11-LQ-38-01	-001A	01	0711101-8	53-20-00-01	-104	01
0705042-18	11-EC-38-01	-002	01	0711639-1	53-20-00-01	-025	04
0705042-18	11-LQ-38-01	-002	01	0711860-3	53-20-00-01	-339	01
0705042-18	11-LQ-38-01	-002A	01	0711860-3	53-20-00-01	-339A	01
0705042-7	11-N-38-01	-001	01	0711860-5	34-53-00-04	-006	NP
0705042-7	11-N-38-01	-001A	01	0711860-5	34-53-00-04	-006A	NP
0705042-8	11-N-38-01	-002	01	0711860-6	34-53-00-04	-007	NP
0705042-8	11-N-38-01	-002A	01	0711860-6	34-53-00-04	-007A	NP
0705097-2	11-N-31-02	-001	02	0711860-7	34-53-00-04	-006B	01
0705097-2	11-N-31-02	-002	01	0711860-7	34-53-00-04	-006C	01
0705097-2	11-N-31-02	-003	01	0711860-8	34-53-00-04	-007B	01
0705097-3	11-D-31-02	-001	02	0711860-8	34-53-00-04	-007C	01
0705097-3	11-D-31-02	-001A	02	0713019-111	21-40-00-01	-028	01
0705097-4	11-PP-31-01	-001	02	0713019-112	21-40-00-01	-027	02

CESSNA AIRCRAFT COMPANY
MODEL 172 (SERIES 1996 AND ON)
 ILLUSTRATED PARTS CATALOG

PART NUMBER	CH SEC SUBJ FIG	ITEM	REQ	PART NUMBER	CH SEC SUBJ FIG	ITEM	REQ
0713019-113	21-40-00-01	-026	02	0715079-5	25-20-10-02	-039	01
0713032-1	27-30-01-01	-008	01	0715079-6	25-20-10-03	-025	NP
0713046-0	25-20-10-01	-035	02	0715079-6	25-20-10-03	-026	NP
0713046-0	25-20-10-02	-120	02	0715079-7	25-20-10-03	-027	01
0713046-0	25-20-10-03	-204	02	0715079-7	25-20-10-03	-028A	01
0713047-0	11-N-38-01	-003	01	0715079-8	25-20-10-03	-028B	01
0713063-0	32-32-00-02	-047	01	0715079-8	25-20-10-03	-028C	01
0713070-19	32-32-00-02	-039	01	0715083-2	27-10-00-02	-075	02
0713070-20	32-32-00-02	-051	01	0715083-2	27-10-00-02	-075A	02
0713070-31	32-32-00-02	-044	01	0716614-9	57-10-02-01	-158	01
0713070-31	32-32-00-02	-044A	01	0716623-6	28-21-00-01	-087	NP
0713070-31	32-32-00-02	-044B	NP	0716623-6	28-21-00-01	-087A	NP
0713070-31	32-32-00-02	-044C	NP	0716623-8	28-21-00-01	-087B	01
0713070-32	32-32-00-02	-016	01	0716623-8	28-21-00-01	-087C	01
0713070-32	32-32-00-02	-020	01	0716624-2	28-21-00-01	-090	01
0713070-36	32-32-00-02	-005	01	0717023-3	52-10-02-01	-001	01
0713070-4	32-32-00-02	-012	01	0717023-3	52-10-02-01	-001A	01
0713070-44	32-32-00-02	-001	NP	0717024-10	52-10-02-01	-005	01
0713070-44	32-32-00-02	-002	NP	0717024-12	52-10-02-01	-004	01
0713070-48	32-32-00-02	-003	01	0717024-12	52-10-02-01	-004A	01
0713070-48	32-32-00-02	-004	01	0717024-16	52-10-00-01	-027	01
0713070-5	32-32-00-02	-011	01	0717024-18	52-10-02-01	-023	01
0713070-50	32-32-00-02	-044D	01	0717024-24	52-10-02-01	-009	01
0713070-50	32-32-00-02	-044E	01	0717024-24	52-10-02-01	-009A	01
0713070-6	32-32-00-02	-045	01	0717024-25	52-10-02-01	-018	01
0713070-9	32-32-00-02	-037	01	0717024-27	52-10-02-01	-002	01
0713102-1	53-11-00-04	-005	02	0717024-4	52-10-02-01	-010	01
0713135-2	21-20-00-01	-017	01	0717024-6	52-10-02-01	-017	01
0713139-3	21-20-00-01	-019	01	0717024-7	52-10-02-01	-014	01
0713140-1	21-20-00-01	-018	01	0717026-1	52-10-02-01	-015	01
0713348-1	27-31-00-01	-001	01	0717026-3	52-10-02-01	-007	02
0713363-2	33-10-01-01	-029	01	0717037-6	52-30-00-01	-001	NP
0713384-16	31-00-00-01A	-007	04	0717037-6	52-30-00-01	-001A	NP
0713384-16	31-00-00-01B	-010	04	0717037-8	52-30-00-01	-001B	01
0713384-33	31-00-00-01B	-013	01	0717037-8	52-30-00-01	-001C	01
0713384-33	31-00-00-01B	-013A	01	0717040-1	52-30-00-01	-011	01
0713384-5	31-00-00-01A	-009	02	0717042-2	52-10-02-01	-001B	01
0713384-5	31-00-00-01B	-006	02	0717042-2	52-10-02-01	-001C	01
0713384-7	31-00-00-01A	-011	02	0717042-3	52-10-02-01	-004B	01
0713384-7	31-00-00-01B	-007	02	0717042-3	52-10-02-01	-004C	01
0713535-2	21-21-00-02	-005	01	0717042-6	52-10-02-01	-001D	01
0713624-2	27-21-00-01	-017	02	0717042-6	52-10-02-01	-001E	01
0713624-2	53-10-00-02	-037	01	0717043-2	52-10-02-01	-009B	01
0713624-2	53-11-00-04	-006	01	0717043-2	52-10-02-01	-009C	01
0713641-3	53-22-00-02	-010	01	0718017-13	31-10-00-01	-001	01
0713642-1	27-30-01-01	-005	NP	0718017-13	31-10-00-01	-001A	01
0713642-1	27-30-01-01	-005A	NP	0718017-15	31-10-00-01	-002	01
0713642-3	27-30-01-01	-007	NP	0718017-15	31-10-00-01	-002A	01
0713642-3	27-30-01-01	-007A	NP	0718017-17	31-10-00-01	-007	01
0713642-4	27-30-01-01	-005B	01	0718017-19	31-10-00-01	-001B	01
0713642-4	27-30-01-01	-005C	01	0718017-19	31-10-00-01	-001C	01
0713642-6	27-30-01-01	-007B	01	0718017-21	31-10-00-01	-002B	01
0713642-6	27-30-01-01	-007C	01	0718017-21	31-10-00-01	-002C	01
0713656-1	27-30-01-01	-001	01	0718017-23	31-10-00-01	-001D	01
0713656-3	27-30-01-01	-002	01	0718017-23	31-10-00-01	-001E	01
0713847-13	21-21-00-02	-004	01	0718017-25	31-10-00-01	-001F	01
0713959-1	32-32-00-02	-029	01	0718017-25	31-10-00-01	-001G	01
0715060-1	53-10-00-01	-019	02	0718018-5	24-61-00-01B	-011	01
0715079-3	25-20-10-01	-010	01	0718018-5	24-61-00-01B	-012	01
0715079-4	25-20-10-02	-036	NP	0718018-5	24-61-00-01B	-013	01
0715079-4	25-20-10-02	-037	NP	0718018-5	24-61-00-01B	-014	01
0715079-5	25-20-10-02	-038	01	0718018-5	24-61-00-01B	-015	01

CESSNA AIRCRAFT COMPANY
MODEL 172 (SERIES 1996 AND ON)
ILLUSTRATED PARTS CATALOG

PART NUMBER	CH	SEC	SUBJ	FIG	ITEM	REQ	PART NUMBER	CH	SEC	SUBJ	FIG	ITEM	REQ
0718021-2	24-60-01-01				-007	02	0719032-8	25-20-10-02				-110	01
0718021-2	24-60-01-01				-007A	02	0719032-9	25-20-10-02				-097	01
0718028-5	31-10-00-02				-001	01	0719032-9	25-20-10-02				-098	01
0719009-4	25-20-10-02				-099	NP	0719040-1	25-21-00-01				-225F	02
0719009-4	25-20-10-02				-100	NP	0719040-1	25-21-00-01				-225G	02
0719009-7	25-20-10-02				-103	NP	0719040-3	25-21-00-01				-225H	03
0719009-7	25-20-10-02				-104	NP	0719040-3	25-21-00-01				-225J	03
0719009-8	25-20-10-02				-107	NP	0719050-3	33-11-01-03				-008	02
0719009-8	25-20-10-02				-108	NP	0719057-1	25-10-00-03				-075	NP
0719009-9	25-20-10-02				-095	NP	0719057-1	25-10-00-03				-075A	NP
0719009-9	25-20-10-02				-096	NP	0719057-2	25-10-00-03				-075B	NP
0719013-1	25-10-00-03				-002	01	0719057-2	25-10-00-03				-075C	NP
0719013-2	25-10-00-03				-016	01	0719057-3	25-10-00-03				-075D	01
0719013-2	25-10-00-03				-016A	01	0719057-3	25-10-00-03				-075E	01
0719013-3	25-10-00-03				-004	01	0719057-3	25-10-00-05				-076	01
0719013-3	25-10-00-03				-004A	01	0719057-5	25-10-00-03				-075G	01
0719013-4	25-10-00-03				-003	01	0719057-5	25-10-00-05				-076A	01
0719013-4	25-10-00-03				-003A	01	0719077-1	25-10-00-01				-002	01
0719013-4	25-10-00-05				-095	01	0719077-2	25-10-00-01				-004	01
0719014-1	25-10-00-03				-076	01	0719077-3	25-10-00-01				-181D	01
0719014-1	25-10-00-03				-076A	01	0719077-3	25-21-00-01				-005	01
0719014-2	25-10-00-03				-076B	01	0719077-3	25-21-00-01				-005A	01
0719014-2	25-10-00-03				-076C	01	0719077-5	25-10-00-01				-174	01
0719014-3	25-10-00-03				-076D	01	0719077-6	25-10-00-01				-175	01
0719014-3	25-10-00-03				-076E	01	0719077-6	25-10-00-01				-245	01
0719014-4	25-10-00-03				-078B	01	0719077-7	25-10-00-01				-154	01
0719014-4	25-10-00-03				-078C	01	0719077-8	25-10-00-01				-075C	01
0719014-4	25-10-00-05				-100	01	0719077-9	25-10-00-01				-076C	01
0719014-5	25-10-00-03				-076F	01	0719078-1	25-10-00-01				-008	01
0719014-5	25-10-00-03				-076G	01	0719078-1	25-10-00-01				-008A	01
0719016-11	25-10-00-03				-100	NP	0719078-2	25-10-00-01				-009	01
0719016-11	25-10-00-03				-100A	NP	0719078-2	25-10-00-01				-009A	01
0719016-15	25-10-00-03				-098	04	0719078-3	25-10-00-01				-084D	01
0719016-19	25-10-00-03				-009	01	0719078-3	25-10-00-01				-084E	01
0719016-19	25-10-00-03				-009A	01	0719078-3	25-21-00-01				-006	01
0719016-20	25-10-00-03				-100B	04	0719078-3	25-21-00-01				-006A	01
0719016-20	25-10-00-03				-100C	04	0719078-5	25-10-00-01				-264	01
0719017-1	25-10-00-03				-081	01	0719078-5	25-10-00-01				-265	01
0719017-1	25-10-00-03				-081A	01	0719078-6	25-10-00-01				-268	01
0719017-5	25-10-00-03				-081B	01	0719078-6	25-10-00-01				-269	01
0719017-5	25-10-00-03				-081C	01	0719078-7	25-10-00-01				-235	01
0719032-15	25-20-10-03				-181	NP	0719078-7	25-10-00-01				-236	01
0719032-15	25-20-10-03				-182	NP	0719078-8	25-10-00-01				-075M	01
0719032-16	25-20-10-03				-173	NP	0719078-8	25-10-00-01				-075N	01
0719032-16	25-20-10-03				-174	NP	0719078-9	25-10-00-01				-076H	01
0719032-17	25-20-10-03				-177	NP	0719078-9	25-10-00-01				-076J	01
0719032-17	25-20-10-03				-178	NP	0719082-1	27-10-00-02				-007D	02
0719032-18	25-20-10-03				-185	NP	0719082-1	27-10-00-02				-007E	02
0719032-18	25-20-10-03				-186	NP	0719082-2	27-10-00-02				-007F	01
0719032-21	25-20-10-03				-175	01	0719089-7	25-20-10-04				-011M	01
0719032-21	25-20-10-03				-176	01	0719089-7	25-20-10-04				-011N	01
0719032-26	25-20-10-03				-183	01	0719089-7	33-11-01-02				-012D	01
0719032-26	25-20-10-03				-184	01	0719092-4	25-10-03-01A				-025	01
0719032-28	25-20-10-03				-187	01	0719099-17	11-10-00-07				-008A	02
0719032-28	25-20-10-03				-188	01	0719101-6	11-10-00-05				-029A	02
0719032-29	25-20-10-03				-179	01	0719101-8	11-10-00-06				-020A	02
0719032-29	25-20-10-03				-180	01	0719103-1	25-10-00-01				-002A	NP
0719032-4	25-20-10-02				-101	01	0719103-11	25-10-00-01				-180	NP
0719032-4	25-20-10-02				-102	01	0719103-11	25-10-00-01				-247	NP
0719032-7	25-20-10-02				-105	01	0719103-11	25-10-00-01				-267B	NP
0719032-7	25-20-10-02				-106	01	0719103-11	25-10-00-01				-271B	NP
0719032-8	25-20-10-02				-109	01	0719103-2	25-10-00-01				-004A	NP

CESSNA AIRCRAFT COMPANY
MODEL 172 (SERIES 1996 AND ON)
ILLUSTRATED PARTS CATALOG

PART NUMBER	CH SEC SUBJ FIG	ITEM	REQ	PART NUMBER	CH SEC SUBJ FIG	ITEM	REQ
0719103-3	25-10-00-01	-181E	NP	0719114-1	25-10-00-01	-011C	01
0719103-3	25-21-00-01	-005B	NP	0719114-2	25-10-00-01	-013	01
0719103-3	25-21-00-01	-005C	NP	0719114-2	25-10-00-01	-013A	01
0719103-5	25-10-00-01	-176	NP	0719114-3	25-10-00-01	-084H	01
0719103-6	25-10-00-01	-177	01	0719114-3	25-10-00-01	-084J	01
0719103-6	25-10-00-01	-246	NP	0719114-3	25-10-00-05	-015	01
0719103-7	25-10-00-01	-155	NP	0719114-3	25-10-00-05	-015A	01
0719103-8	25-10-00-01	-075D	01	0719114-3	25-21-00-01	-006D	01
0719103-9	25-10-00-01	-076D	01	0719114-3	25-21-00-01	-006E	01
0719104-1	25-10-00-01	-011	NP	0719114-5	25-10-00-01	-266A	01
0719104-1	25-10-00-01	-011A	NP	0719114-5	25-10-00-01	-267A	01
0719104-2	25-10-00-01	-012	NP	0719114-5	25-10-00-05	-022	01
0719104-2	25-10-00-01	-012A	NP	0719114-5	25-10-00-05	-022A	01
0719104-3	25-10-00-01	-084F	NP	0719114-6	25-10-00-01	-270A	01
0719104-3	25-10-00-01	-084G	NP	0719114-6	25-10-00-01	-271A	01
0719104-3	25-21-00-01	-006B	NP	0719114-7	25-10-00-01	-237A	01
0719104-3	25-21-00-01	-006C	NP	0719114-7	25-10-00-01	-238A	01
0719104-5	25-10-00-01	-266	NP	0719114-7	25-10-00-05	-019	01
0719104-5	25-10-00-01	-267	NP	0719114-7	25-10-00-05	-019A	01
0719104-6	25-10-00-01	-270	NP	0719114-8	25-10-00-01	-075R	01
0719104-6	25-10-00-01	-271	NP	0719114-8	25-10-00-05	-027	01
0719104-7	25-10-00-01	-237	NP	0719114-9	25-10-00-01	-076M	01
0719104-7	25-10-00-01	-238	NP	0719118-1	25-20-10-01	-094J	01
0719104-8	25-10-00-01	-075P	01	0719118-1	25-20-10-01	-094L	01
0719104-8	25-10-00-01	-075Q	01	0719130-1	25-10-00-01	-011D	01
0719104-9	25-10-00-01	-076K	01	0719130-1	25-10-00-01	-011E	01
0719104-9	25-10-00-01	-076L	01	0719130-11	25-10-00-01	-011F	01
0719107-2	25-20-10-04	-001K	01	0719130-13	25-21-00-01	-006H	02
0719107-2	25-20-10-04	-001L	01	0719130-15	25-10-00-05	-022D	01
0719107-3	25-20-10-04	-002	01	0719130-17	25-10-00-05	-019D	01
0719107-3	25-20-10-04	-002A	01	0719130-18	25-10-00-01	-075U	01
0719109-2	25-20-10-04	-004K	01	0719130-19	25-10-00-01	-076Q	01
0719109-2	25-20-10-04	-004L	01	0719130-2	25-10-00-01	-013B	01
0719109-3	25-20-10-04	-005	01	0719130-2	25-10-00-01	-013C	01
0719109-3	25-20-10-04	-005A	01	0719130-3	25-21-00-01	-006F	02
0719111-21	11-10-00-05	-030A	02	0719130-3	25-21-00-01	-006G	02
0719113-1	25-10-00-01	-003	01	0719130-5	25-10-00-05	-022B	01
0719113-11	25-10-00-01	-180A	02	0719130-5	25-10-00-05	-022C	01
0719113-11	25-10-00-01	-247A	02	0719130-7	25-10-00-05	-019B	01
0719113-11	25-10-00-01	-267C	02	0719130-7	25-10-00-05	-019C	01
0719113-11	25-10-00-01	-271C	02	0719130-8	25-10-00-01	-075S	01
0719113-2	25-10-00-01	-004B	01	0719130-8	25-10-00-01	-075T	01
0719113-3	25-10-00-01	-181F	01	0719130-9	25-10-00-01	-076N	01
0719113-3	25-10-00-05	-014	01	0719130-9	25-10-00-01	-076P	01
0719113-3	25-10-00-05	-014A	01	0719131-1	25-10-00-01	-003A	01
0719113-3	25-21-00-01	-005D	01	0719131-1	25-10-00-01	-003B	01
0719113-3	25-21-00-01	-005E	01	0719131-2	25-10-00-01	-004C	01
0719113-5	25-10-00-01	-178	01	0719131-2	25-10-00-01	-004D	01
0719113-5	25-10-00-05	-021	01	0719131-3	25-10-00-01	-181G	01
0719113-5	25-10-00-05	-021A	01	0719131-3	25-10-00-01	-181H	01
0719113-6	25-10-00-01	-179	01	0719131-3	25-21-00-01	-005F	01
0719113-6	25-10-00-01	-246A	01	0719131-3	25-21-00-01	-005G	01
0719113-7	25-10-00-01	-155A	01	0719131-4	25-10-00-01	-178A	01
0719113-7	25-10-00-05	-018	01	0719131-4	25-10-00-01	-178B	01
0719113-7	25-10-00-05	-018A	01	0719131-4	25-10-00-05	-021B	01
0719113-8	25-10-00-01	-075E	01	0719131-4	25-10-00-05	-021C	01
0719113-8	25-10-00-01	-075V	01	0719131-5	25-10-00-01	-179A	01
0719113-8	25-10-00-05	-026	01	0719131-5	25-10-00-01	-179B	01
0719113-9	25-10-00-01	-076E	01	0719131-6	25-10-00-01	-156	01
0719113-9	25-10-00-01	-076R	01	0719131-6	25-10-00-01	-157	01
0719113-9	25-10-00-05	-025	01	0719131-6	25-10-00-05	-018B	01
0719114-1	25-10-00-01	-011B	01	0719131-6	25-10-00-05	-018C	01

CESSNA AIRCRAFT COMPANY
MODEL 172 (SERIES 1996 AND ON)
ILLUSTRATED PARTS CATALOG

PART NUMBER	CH	SEC	SUBJ	FIG	ITEM	REQ	PART NUMBER	CH	SEC	SUBJ	FIG	ITEM	REQ
0719133-1	25-12-00-01				-001	01	0722203-2	57-40-00-01				-033A	01
0719133-10	25-12-00-01				-002B	01	0722207-1	57-10-01-01				-041	01
0719133-10	25-12-00-01				-004B	01	0722207-2	57-10-01-01				-042	01
0719133-2	25-12-00-01				-002	01	0722207-3	57-10-01-01				-043	01
0719133-3	25-12-00-01				-003	01	0722709-3	22-10-00-02				-022	01
0719133-4	25-12-00-01				-004	01	0722709-3	22-10-00-02A				-006	01
0719133-5	25-12-00-01				-001A	01	0722709-3	22-10-00-02A				-006A	01
0719133-6	25-12-00-01				-002A	01	0722709-5	22-10-00-02A				-006B	01
0719133-7	25-12-00-01				-003A	01	0722709-5	22-10-00-02A				-006C	01
0719133-8	25-12-00-01				-004A	01	0722709-6	22-10-00-01				-267	01
0719133-9	25-12-00-01				-001B	01	0722709-8	22-10-00-01				-268	01
0719133-9	25-12-00-01				-003B	01	0722709-9	22-10-00-01				-269	01
072-312-0	32-31-00-01				-013C	01	0723200-32	33-40-00-02				-002	01
072-314-0	32-30-00-01				-036G	02	0723200-32	33-40-00-02				-002A	01
072-315-0	32-30-00-01				-036C	02	0723200-33	33-40-00-02				-001	01
0720005-3	57-10-02-01				-228	01	0723200-33	33-40-00-02				-001A	01
0720005-3	57-10-02-01				-228A	01	0723200-5	33-40-00-02				-019	01
0720005-5	57-10-02-01				-228B	01	0723200-5	33-40-00-02				-019A	01
0720005-5	57-10-02-01				-228C	01	0723200-6	33-40-00-02				-020	01
0721101-8	34-11-00-01				-037	01	0723200-6	33-40-00-02				-020A	01
0721105-12	34-11-00-01				-039	01	0723201-3	33-40-00-02				-015	01
0721105-3	34-11-00-01				-044	01	0723201-3	33-40-00-02				-015A	01
0721105-4	34-11-00-01				-045	01	0723201-4	33-40-00-02				-016	01
0721105-7	34-11-00-01				-043	01	0723201-4	33-40-00-02				-016A	01
0721105-8	34-11-00-01				-046A	01	0723205-1	33-40-00-02				-001B	NP
0721105-9	34-11-00-01				-046	01	0723205-1	33-40-00-02				-001C	NP
0721107-1	57-10-00-01				-095	NP	0723205-10	33-40-00-02				-098	01
0721107-1	57-10-00-01				-095A	NP	0723205-10	33-40-00-02				-098A	01
0721107-2	57-10-00-01				-096	NP	0723205-13	33-40-00-02				-003B	NP
0721107-2	57-10-00-01				-096A	NP	0723205-13	33-40-00-02				-003C	NP
0721403-1	57-10-00-01				-095B	01	0723205-14	33-40-00-02				-004B	NP
0721403-1	57-10-00-01				-095C	01	0723205-14	33-40-00-02				-004C	NP
0721403-2	57-10-00-01				-096B	01	0723205-15	33-40-00-02				-105	01
0721403-2	57-10-00-01				-096C	01	0723205-15	33-40-00-02				-105A	01
0721403-3	57-10-00-01				-095D	01	0723205-15	33-40-00-03				-013	01
0721403-3	57-10-00-01				-095E	01	0723205-17	33-40-00-02				-095	01
0721403-4	57-10-00-01				-096D	01	0723205-17	33-40-00-02				-095A	01
0721403-4	57-10-00-01				-096E	01	0723205-18	33-40-00-02				-096	01
0722193-1	57-40-00-02				-010B	01	0723205-18	33-40-00-02				-096A	01
0722193-1	57-40-00-02				-010C	01	0723205-19	33-40-00-02				-001D	NP
0722193-10	57-40-00-02				-029D	01	0723205-19	33-40-00-02				-001E	NP
0722193-10	57-40-00-02				-029E	01	0723205-2	33-40-00-02				-002B	NP
0722193-10	57-40-00-03				-010A	01	0723205-2	33-40-00-02				-002C	NP
0722193-11	57-40-00-02				-011B	01	0723205-20	33-40-00-02				-002D	NP
0722193-11	57-40-00-02				-011C	01	0723205-20	33-40-00-02				-002E	NP
0722193-12	57-40-00-02				-030B	01	0723205-23	33-40-00-02				-003D	01
0722193-12	57-40-00-02				-030C	01	0723205-23	33-40-00-02				-003E	01
0722193-2	57-40-00-02				-029B	01	0723205-23	33-40-00-03				-014	01
0722193-2	57-40-00-02				-029C	01	0723205-24	33-40-00-02				-004D	01
0722193-9	57-40-00-02				-010D	01	0723205-24	33-40-00-02				-004E	01
0722193-9	57-40-00-02				-010E	01	0723205-24	33-40-00-03				-015	01
0722193-9	57-40-00-03				-010	01	0723205-9	33-40-00-02				-097	01
0722200-1	57-10-00-01				-092	01	0723205-9	33-40-00-02				-097A	01
0722200-1	57-10-00-01				-092A	01	0723206-1	33-40-00-02				-001F	01
0722200-2	57-10-00-01				-093	01	0723206-1	33-40-00-02				-001G	01
0722200-2	57-10-00-01				-093A	01	0723206-2	33-40-00-02				-002F	01
0722200-23	57-10-00-01				-092B	01	0723206-2	33-40-00-02				-002G	01
0722200-23	57-10-00-01				-092C	01	0723206-3	33-40-00-03				-009	01
0722200-24	57-10-00-01				-093B	01	0723206-4	33-40-00-03				-010	01
0722200-24	57-10-00-01				-093C	01	0723614-1	57-10-03-01				-008	01
0722202-1	57-40-00-01				-032	01	0723629-3	33-40-00-03				-004	01
0722203-2	57-40-00-01				-033	01	0723629-3	33-40-00-03				-004A	01

CESSNA AIRCRAFT COMPANY
MODEL 172 (SERIES 1996 AND ON)
ILLUSTRATED PARTS CATALOG

PART NUMBER	CH SEC SUBJ FIG	ITEM	REQ	PART NUMBER	CH SEC SUBJ FIG	ITEM	REQ
0723629-4	33-40-00-02	-017A	01	0743631-6	32-20-01-01A	-018C	01
0723629-4	33-40-00-02	-018A	01	0743631-7	32-20-01-01A	-019B	01
0723629-4	33-40-00-03	-003	01	0743631-7	32-20-01-01A	-019C	01
0723629-4	33-40-00-03	-003A	01	075-00021-0001	34-53-00-02	-010	AR
0723629-4	57-10-00-01	-099B	02	075-0021-01	34-60-00-02	-004	01
0723629-4	57-10-00-01	-099C	02	075-06700	32-30-00-01	-035	01
0723629-4	57-10-00-01	-100B	02	0750220-1	24-20-00-01	-002	01
0723629-4	57-10-00-01	-100C	02	0750620-3	76-10-00-01	-010	01
0723630-1	33-40-00-03	-005	01	0750620-3	76-10-00-01	-017	01
0723630-2	33-40-00-03	-006	01	0750620-3	76-11-00-01	-002	01
0723630-3	33-40-00-03	-007	01	0750625-1	76-11-00-01	-006	01
0723631-1	33-40-00-03	-003B	01	0756003-1	79-30-00-01	-012	01
0723631-1	33-40-00-03	-003C	01	0756036-5	28-22-00-02	-005	01
0723631-2	33-40-00-03	-004B	01	0756037-1	28-22-00-02	-007	01
0723631-2	33-40-00-03	-004C	01	0756038-1	28-22-00-02	-004	01
0724115-2	57-60-00-01	-015	03	0756039-10	28-22-00-02	-001	01
0726012-1	57-10-02-01	-092	02	0756039-6	28-22-00-02	-002	01
0726012-10	57-10-02-01	-083	02	0756041-1	28-22-00-02	-003	01
0726012-10	57-10-02-01	-091	01	0756041-1	28-22-00-02	-003A	01
0726012-11	57-10-02-01	-084	01	0756043-3	73-30-00-01	-018	01
0726012-12	57-10-02-01	-085	01	0756043-3	73-30-00-01	-019	01
0726028-1	57-10-02-01	-112	01	0756043-4	73-30-00-01	-021	01
0726028-4	57-10-02-01	-114	01	0760011-2	57-60-00-01	-014	01
0726028-5	57-10-02-01	-113	01	0760017-4	27-10-00-02A	-013	01
0726031-1	57-10-02-01	-010	02	0760017-6	27-10-00-02	-002A	01
0728003-1	33-40-00-01B	-003	01	0760131-5	27-70-00-01	-004	01
0728003-2	33-40-00-01B	-004	01	0760151-2	27-10-00-02A	-005	01
0728004-1	33-40-00-01B	-001	01	0760152-3	27-10-00-02A	-014	01
0728004-2	33-40-00-01B	-002	01	0760152-4	27-10-00-02A	-014A	01
073-01100	32-30-00-01	-023	01	0760154-2	27-10-00-02A	-006	01
0734102-3	55-20-00-01	-098	01	0760614-1	27-50-00-01	-044	01
0734102-4	55-20-00-01	-099	01	0760619-1	27-50-00-01	-027	01
074-01000	32-30-00-01	-021	01	0760620-11	27-50-00-01	-042	01
0741047-2	32-11-00-01	-022	02	0760682-1	27-21-00-01	-095	02
0741048-8	32-10-00-01	-032	01	0762054-4	27-50-00-01	-002	01
0742410-27	32-21-00-01	-007	01	0762054-5	27-50-00-01	-001	01
0742410-8	32-21-00-01	-011	02	0770519-3	31-10-00-01	-081	01
0743009-1	32-20-01-01	-007	02	0770519-3	31-10-00-01	-082	01
0743009-1	32-20-01-01A	-007	02	0770519-5	31-10-00-01	-083	01
0743009-1	32-21-00-01	-003	02	0770519-5	31-10-00-01	-084	01
0743011-8	32-20-01-01	-027	01	0770519-9	31-10-00-01	-085	01
0743011-8	32-20-01-01A	-032	01	0770519-9	31-10-00-01	-086	01
0743091-1	32-20-01-01	-010B	01	0770557-9	31-10-00-01	-092	01
0743091-1	32-20-01-01A	-010	01	0770559-1	33-13-00-01A	-009	01
0743091-1	32-20-01-01A	-011	01	0770559-1	33-13-00-01A	-009A	01
0743612-1	32-20-01-01	-008	01	0770559-2	33-13-00-01A	-009B	01
0743612-1	32-20-01-01A	-008	01	0770559-2	33-13-00-01A	-009C	01
0743621-9	32-20-01-01	-013	NP	0770741-1	24-34-00-01	-005	01
0743621-9	32-20-01-01A	-014	01	078-00054-0000	34-53-00-02	-012	AR
0743621-9	32-20-01-01A	-014A	01	078-0054-00	34-60-00-02	-005	01
0743627-6	32-20-00-01	-025	01	079-00300	32-30-00-01	-032	01
0743627-7	32-20-00-01	-024	01	0790007-2	25-10-00-02	-108	01
0743631-1	32-20-01-01	-013A	01	0790007-2	25-10-00-03	-116	01
0743631-1	32-20-01-01A	-015	NP	0790007-2	25-10-00-03	-116A	01
0743631-1	32-20-01-01A	-015A	NP	0790007-4	25-10-00-02	-019	01
0743631-2	32-20-01-01A	-018	01	0790007-5	25-10-00-02	-020	01
0743631-2	32-20-01-01A	-018A	01	0790012-2	25-10-00-03	-034	01
0743631-4	32-20-01-01A	-019	01	0790012-4	25-10-00-03	-040	01
0743631-4	32-20-01-01A	-019A	01	081-00100	32-30-00-01	-034	01
0743631-5	32-20-01-01A	-015B	01	0811490-75	32-32-00-02	-024	01
0743631-5	32-20-01-01A	-015C	01	0812811-1	25-10-00-02	-031	02
0743631-6	32-20-01-01A	-018B	01	0813150-73	32-32-00-02	-025	01

CESSNA AIRCRAFT COMPANY
MODEL 172 (SERIES 1996 AND ON)
ILLUSTRATED PARTS CATALOG

PART NUMBER	CH SEC SUBJ FIG	ITEM	REQ	PART NUMBER	CH SEC SUBJ FIG	ITEM	REQ
0813150-75	32-32-00-02	-013	01	117257-02-07	11-10-00-01	-016	01
0813156-4	32-32-00-02	-014	01	117257-02-08	11-10-00-01	-019	01
0841200-15	32-20-01-01	-019	01	117257-02-08	11-10-00-01	-042	01
0841200-15	32-20-01-01A	-024	01	117257-02-09	11-10-00-01	-018	01
0841200-19	32-20-01-01	-016	01	117257-02-09	11-10-00-01	-041	01
0841200-19	32-20-01-01A	-021	01	118021-01	11-10-00-01	-024	01
0841200-25	32-20-01-01	-018	01	118021-01-01	11-10-00-01	-029	02
0841200-25	32-20-01-01A	-023	01	118021-01-04	11-10-00-01	-026	01
0842400-3	32-20-02-01	-013	01	118021-01-05	11-10-00-01	-025	01
0842400-3	32-20-02-01	-013A	01	118021-01-06	11-10-00-01	-028	01
089-05442-0010	34-53-00-02	-008	04	118021-01-07	11-10-00-01	-027	01
089-05529-0032	34-53-00-02	-009	AR	118021-02	11-10-00-01	-035	01
089-08111-0034	34-53-00-02	-011	AR	118021-02-01	11-10-00-01	-040	02
089-5442-10	34-60-00-02	-008	04	118021-02-04	11-10-00-01	-037	01
089-5529-32	34-60-00-02	-003	01	118021-02-05	11-10-00-01	-036	01
089-8111-34	34-60-00-02	-002	01	118021-02-06	11-10-00-01	-039	01
091-04400	32-30-00-01	-019	01	118021-02-07	11-10-00-01	-038	01
092-07500	32-30-00-01	-025	01	119561-01	11-10-00-01	-046	01
OCM8SM10DS04GY	25-20-10-05	-025B	08	119596-10	11-10-00-08	-030A	02
OCM8SM10DS04GY	25-20-10-05	-025C	08	119596-31	11-10-00-08	-007A	02
100-9107-01	23-30-00-01	-004A	01	119596-31	11-10-00-08	-014A	02
1009-05	33-13-00-01	-082	03	119596-44	11-10-00-08	-022A	02
1009-05	33-13-00-01A	-007	03	119613-01	11-10-00-01	-047	01
10164-3	24-61-00-01B	-087	01	119614-01	11-10-00-01	-048	01
10172-015-5	27-10-00-01	-006	02	119615-01	11-10-00-01	-049	01
103-11600	32-30-00-01	-027	02	119627-07	11-10-00-01	-050	01
10877A	79-20-00-01	-001A	01	119916-01	11-10-00-01	-150	01
10877A	79-20-00-01	-001B	01	119916-01-02	11-10-00-01	-156	01
110-338	25-60-00-02	-001	01	119916-01-03	11-10-00-01	-155	01
110-338	25-60-00-03	-006	01	119916-01-04	11-10-00-01	-158	01
115-00411-00	34-60-01-01	-002	01	119916-01-05	11-10-00-01	-157	01
115-00426-00	23-10-01-01	-002	01	119916-01-06	11-10-00-01	-160	01
115-00427-00	23-50-00-02	-002	01	119916-01-07	11-10-00-01	-159	01
115-00438-00	34-50-02-01A	-002	01	119916-01-08	11-10-00-01	-162	02
115-00459-00	34-23-00-01	-002	01	119916-01-09	11-10-00-01	-152	01
115-00481-00	34-53-00-03	-012	01	119916-01-10	11-10-00-01	-151	01
115-00481-00	34-53-00-03	-013	01	119916-01-11	11-10-00-01	-154	01
115-00784-00	34-40-00-01	-004	01	119916-01-12	11-10-00-01	-153	01
115-00784-00	34-40-00-01	-004A	01	119916-02	11-10-00-01	-163	01
117257-01	11-10-00-01	-001	01	119916-02-01	11-10-00-01	-174	02
117257-01-01	11-10-00-01	-004	02	119916-02-02	11-10-00-01	-169	01
117257-01-02	11-10-00-01	-010	01	119916-02-03	11-10-00-01	-168	01
117257-01-02	11-10-00-01	-033	01	119916-02-04	11-10-00-01	-171	01
117257-01-03	11-10-00-01	-009	01	119916-02-05	11-10-00-01	-170	01
117257-01-03	11-10-00-01	-032	01	119916-02-06	11-10-00-01	-173	01
117257-01-04	11-10-00-01	-003	01	119916-02-07	11-10-00-01	-172	01
117257-01-05	11-10-00-01	-002	01	119916-02-08	11-10-00-01	-175	02
117257-01-06	11-10-00-01	-006	01	119916-02-09	11-10-00-01	-165	01
117257-01-07	11-10-00-01	-005	01	119916-02-10	11-10-00-01	-164	01
117257-01-08	11-10-00-01	-008	01	119916-02-11	11-10-00-01	-167	01
117257-01-08	11-10-00-01	-031	01	119916-02-12	11-10-00-01	-166	01
117257-01-09	11-10-00-01	-007	01	1200026-3	57-10-01-01	-044	01
117257-01-09	11-10-00-01	-030	01	1200127-1	25-20-20-01	-007	06
117257-02	11-10-00-01	-012	01	1200127-2	25-20-20-01	-006	06
117257-02-01	11-10-00-01	-015	02	1200138-2	25-10-00-02	-086	02
117257-02-02	11-10-00-01	-021	01	1200138-2	25-10-00-03	-095	02
117257-02-02	11-10-00-01	-044	01	1200183-2	22-10-00-01	-239	01
117257-02-03	11-10-00-01	-020	01	1200186-9	25-10-00-02	-089	01
117257-02-03	11-10-00-01	-043	01	1200193-11	25-80-00-01	-006	02
117257-02-04	11-10-00-01	-014	01	1200193-26	25-80-00-01	-010	02
117257-02-05	11-10-00-01	-013	01	1200217-5	25-80-00-01	-007	02
117257-02-06	11-10-00-01	-017	01	1200217-7	25-80-00-01	-008	05

CESSNA AIRCRAFT COMPANY
MODEL 172 (SERIES 1996 AND ON)
 ILLUSTRATED PARTS CATALOG

PART NUMBER	CH SEC SUBJ FIG	ITEM	REQ	PART NUMBER	CH SEC SUBJ FIG	ITEM	REQ
1200217-8	25-80-00-01	-003	13	1213547-9	31-00-00-01A	-012	02
1200542-7	53-20-00-01	-043	02	1213547-9	31-00-00-01B	-008	04
1200563-2	53-00-00-01	-020	01	1214192-35	25-10-00-02	-016	01
1200564-1	53-10-00-01	-108	01	1214192-37	25-10-00-02	-018	01
1201075-2	37-10-00-04	-028	01	1214192-37	25-10-00-03	-078	NP
1201075-2	37-10-00-05	-031	01	1214192-37	25-10-00-03	-078A	NP
1201075-2	37-10-00-06	-026	01	1214198-2	25-10-03-01	-009	01
1201075-2	37-10-00-07	-004	01	1214198-2	25-10-03-01	-009A	01
1201075-4	37-10-00-04	-032	01	1214198-3	25-10-00-05	-009	NP
1201075-4	37-10-00-05	-032	01	1214198-3	25-10-03-01	-008	01
1201075-4	37-10-00-06	-030	01	1214198-3	25-10-03-01	-008A	02
1201075-4	37-10-00-07	-008	01	1214198-3	25-21-01-01	-009	02
1201998-1	37-10-00-01	-021	01	1214198-3	25-21-01-01	-009A	02
1201998-1	37-10-00-02	-026	01	1214198-3	25-21-01-01	-018	NP
1201998-1	37-10-00-03	-021	01	1214202-5	25-10-00-03	-006	01
1205009-1	11-N-31-01	-008	01	1214202-5	25-10-00-03	-006A	01
1205009-4	11-N-31-01	-008A	01	1215210-50	11-N-31-01	-164	01
1205024-2	11-N-24-01	-002	03	1215210-50	11-N-31-01	-164A	01
1205024-2	11-N-24-01	-002A	03	1216018-1	28-21-00-01	-033	01
1205024-3	11-D-24-01	-002	01	1216110-5	28-21-00-02	-008	01
1205024-3	11-D-24-01	-002A	01	1217046-10	52-10-00-01	-090	01
1205024-4	11-PP-24-01	-001	01	1217046-10	52-10-00-02	-090	01
1205024-4	11-PP-24-01	-002	01	1217046-11	52-10-00-01	-086	01
1205024-5	11-F-24-01	-001	01	1217046-11	52-10-00-02	-086	01
1205024-5	11-F-24-01	-002	01	1217046-6	52-10-00-01	-091	01
1205024-6	11-LQ-24-01	-002	NP	1217046-6	52-10-00-02	-091	01
1205024-6	11-LQ-24-01	-002A	NP	1217050-5	52-10-00-01	-095	01
1205024-7	11-YR-24-01	-001	01	1217050-6	52-10-00-02	-095	01
1205024-7	11-YR-24-01	-001A	01	1217063-10	56-30-00-01	-014B	01
1205085-11	11-N-32-01	-003	01	1217063-10	56-30-00-01	-014C	01
1205085-11	11-N-32-01	-003A	01	1217063-11	56-30-00-01	-013B	01
1205085-12	11-F-32-01	-002	01	1217063-11	56-30-00-01	-013C	01
1205085-12	11-F-32-01	-002A	01	1217063-12	56-30-00-01	-019B	02
1205085-3	11-N-32-01	-001	NP	1217063-12	56-30-00-01	-019C	02
1205085-4	11-N-32-01	-002	NP	1217063-7	56-30-00-01	-013	NP
1205085-4	11-N-32-01	-002A	NP	1217063-7	56-30-00-01	-013A	NP
1205085-5	11-D-32-01	-001	01	1217063-8	56-30-00-01	-014	NP
1205085-5	11-D-32-01	-001A	01	1217063-8	56-30-00-01	-014A	NP
1205085-6	11-PP-32-01	-001	01	1217063-9	56-30-00-01	-019	NP
1205085-6	11-PP-32-01	-001A	01	1217063-9	56-30-00-01	-019A	NP
1205085-7	11-F-32-01	-001	NP	1217065-10	56-30-00-01	-087B	01
1205085-7	11-F-32-01	-001A	NP	1217065-10	56-30-00-01	-087C	01
1205085-8	11-LQ-32-01	-001	NP	1217065-7	56-30-00-01	-086	01
1205255-1	11-RA-28-01	-001	02	1217065-7	56-30-00-01	-086A	01
1205255-1	11-RA-28-01	-002	02	1217065-8	56-30-00-01	-087	01
1210816-8	53-20-00-01	-159	02	1217065-8	56-30-00-01	-087A	01
1210816-8	53-20-00-01	-159A	02	1217065-9	56-30-00-01	-086B	01
1211203-1	25-20-20-01	-003	06	1217065-9	56-30-00-01	-086C	01
1211203-4	25-20-20-01	-003A	06	1217066-3	56-30-00-01	-009	NP
1211203-4	25-20-20-01	-003B	06	1217066-3	56-30-00-01	-009A	NP
1212013-3	55-10-00-01	-075B	NP	1217066-4	56-30-00-01	-010	NP
1212013-3	55-10-00-01	-075C	NP	1217066-4	56-30-00-01	-010A	NP
1212013-4	55-10-00-01	-076B	NP	1217066-5	56-30-00-01	-009B	01
1212013-4	55-10-00-01	-076C	NP	1217066-5	56-30-00-01	-009C	01
1212144-1	53-11-00-02	-029	02	1217066-6	56-30-00-01	-010B	01
1212144-1	53-11-00-02	-029A	02	1217066-6	56-30-00-01	-010C	01
1212146-1	53-11-00-02	-040	01	1218031-4	33-13-00-01	-096	01
1212147-1	53-11-00-02	-030	AR	1218031-4	33-13-00-01A	-019	01
1212150-1	53-11-00-02	-041	AR	1218032-3	33-13-00-01A	-015B	01
1212151-2	53-11-00-02	-031	AR	1218032-3	33-13-00-01A	-015C	01
1212160-1	53-11-00-02	-029B	02	1219027-1	25-10-00-05	-075	01
1212160-1	53-11-00-02	-029C	02	1219053-4	52-10-00-01	-037	AR

CESSNA AIRCRAFT COMPANY
MODEL 172 (SERIES 1996 AND ON)
ILLUSTRATED PARTS CATALOG

PART NUMBER	CH SEC SUBJ FIG	ITEM	REQ	PART NUMBER	CH SEC SUBJ FIG	ITEM	REQ
1219053-4	52-10-00-01	-037A	AR	125-00062-00	31-00-00-01A	-008	08
1219115-4	25-10-03-01A	-019	01	125-00062-00	31-00-00-01B	-003A	08
1219115-8	25-21-01-01A	-024	01	1253037-1	21-40-00-01	-005	01
1219130-1	25-10-00-05	-012	01	1253041-1	21-40-00-01	-007	01
1219130-1	25-10-00-05	-012A	01	125HBL-6-2	37-10-00-05	-024	01
1219135-1	25-10-00-05	-013	01	125HBL-6-2	37-10-00-06	-011	01
1219135-1	25-10-00-05	-013A	01	1260049-1	27-30-01-02	-008	01
1220114-1	57-50-00-01	-004	02	1260074-1	27-30-01-02	-001	01
1221010-3	57-10-02-01	-182	01	1260543-1	27-70-00-01	-003	01
1221010-4	57-10-02-01	-183	01	1270101-1	22-10-00-01	-008	01
1221059-10	33-40-00-01	-037	01	1270101-1	22-10-00-01A	-009	01
1221059-10	33-40-00-01	-038	01	1270101-1	53-22-00-01	-031	01
1221059-11	33-40-00-01	-005	01	1270101-1	53-22-00-01	-035	02
1221059-11	33-40-00-01	-006	01	1270101-1	53-22-00-01	-035A	02
1221059-12	33-40-00-01	-039	01	1270101-2	53-22-00-01	-035B	02
1221059-12	33-40-00-01	-040	01	1270101-2	53-22-00-01	-035C	02
1221059-14	33-40-00-01A	-001	01	1270101-3	53-22-00-01	-035D	02
1221059-15	33-40-00-01A	-009	01	1270101-3	53-22-00-01	-035E	02
1221059-5	33-40-00-01	-011	02	1270101-5	53-22-00-01	-024	02
1221059-5	33-40-00-01	-045	01	1270101-8	53-22-00-01	-035M	02
1221059-5	33-40-00-01A	-006	02	1270101-8	53-22-00-01	-035N	02
1221059-5	33-40-00-01A	-014	01	1270105-3	53-22-00-01	-035F	02
1221059-6	33-40-00-01	-012	01	1270105-3	53-22-00-01	-035G	02
1221059-6	33-40-00-01	-046	01	1270105-4	53-22-00-01	-035K	01
1221059-6	33-40-00-01A	-015	02	1270105-4	53-22-00-01	-035L	01
1221059-7	33-40-00-01	-001	01	1270105-6	53-22-00-01	-035H	01
1221059-7	33-40-00-01	-002	01	1270105-6	53-22-00-01	-035J	01
1221059-8	33-40-00-01	-035	01	1270483-2	27-10-00-02A	-018	01
1221059-8	33-40-00-01	-036	01	1270483-2	33-10-00-02	-006	01
1221059-9	33-40-00-01	-003	01	1270483-2	33-11-01-02	-006	01
1221059-9	33-40-00-01	-004	01	1270483-2	33-11-01-03	-006	02
1221201-3	33-40-00-02	-003	01	1270559-3	33-13-00-01A	-024B	01
1221201-3	33-40-00-02	-003A	01	1270559-3	33-13-00-01A	-024C	01
1221201-4	33-40-00-02	-004	01	1270843-2	27-10-00-02	-021	01
1221201-4	33-40-00-02	-004A	01	1270843-2	27-10-00-02A	-024	01
1222021-3	34-53-00-03	-003	01	1290010-1	26-10-00-01	-002	01
1222022-1	34-53-00-03	-006	01	1290010-1	26-10-00-01	-002A	01
122366-3	25-10-00-01	-083B	01	130-4004	25-60-00-02	-009	01
122366-3	25-10-00-01	-083C	01	130523-01	11-10-00-01	-075	01
122394-4	25-10-00-05	-024B	01	130523-01-01	11-10-00-01	-080	02
122394-4	25-10-00-05	-024C	01	130523-01-02	11-10-00-01	-084	01
122394-5	25-10-00-05	-024	01	130523-01-03	11-10-00-01	-083	01
122394-5	25-10-00-05	-024A	01	130523-01-04	11-10-00-01	-085	01
122394-6	25-10-00-05	-020	01	130523-01-05	11-10-00-01	-082	01
122394-7	25-10-00-05	-023	01	130523-01-06	11-10-00-01	-081	01
122597	25-20-10-02	-113	02	130523-01-07	11-10-00-01	-079	01
122598	25-20-10-02	-114	02	130523-01-08	11-10-00-01	-078	01
1226100-1	57-50-00-01	-016B	01	130523-01-09	11-10-00-01	-077	01
1226100-2	57-50-00-01	-015B	01	130523-01-10	11-10-00-01	-076	01
1231064-8	33-43-00-02	-013	01	130523-01-11	11-10-00-01	-087	01
1232040-5	55-10-00-01	-039	02	130523-01-12	11-10-00-01	-086	01
1241156-12	32-31-00-01	-001	01	130523-02	11-10-00-01	-088	01
1243021-1	32-20-01-01A	-022	01	130523-02-01	11-10-00-01	-093	02
1243030-5	32-20-01-01	-057	AR	130523-02-02	11-10-00-01	-097	01
1243030-5	32-20-01-01A	-105	AR	130523-02-03	11-10-00-01	-096	01
1243030-6	32-20-01-01	-058	AR	130523-02-04	11-10-00-01	-098	01
1243030-6	32-20-01-01A	-106	AR	130523-02-05	11-10-00-01	-095	01
1243030-7	32-20-01-01	-059	AR	130523-02-06	11-10-00-01	-094	01
1243030-7	32-20-01-01A	-107	AR	130523-02-07	11-10-00-01	-092	01
1243626-1	32-20-01-01	-021	01	130523-02-08	11-10-00-01	-091	01
1243626-1	32-20-01-01A	-026	01	130523-02-09	11-10-00-01	-090	01
1243816-1	32-20-01-01	-017	01	130523-02-10	11-10-00-01	-089	01

CESSNA AIRCRAFT COMPANY
MODEL 172 (SERIES 1996 AND ON)
 ILLUSTRATED PARTS CATALOG

PART NUMBER	CH SEC SUBJ FIG	ITEM	REQ	PART NUMBER	CH SEC SUBJ FIG	ITEM	REQ
130524-01-04	11-10-00-03	-025	02	132330-01-02	11-10-00-03	-003	01
130524-02-04	11-10-00-01	-161	02	132330-01-03	11-10-00-03	-004	01
13115-3	25-11-00-01	-005A	01	132330-01-04	11-10-00-03	-005	01
131414-01	11-10-00-01	-191	01	132330-01-05	11-10-00-03	-014	01
131414-01--05	11-10-00-01	-192	01	132330-01-06	11-10-00-03	-015	01
131414-01-01	11-10-00-01	-203	02	132330-01-07	11-10-00-03	-006	01
131414-01-02	11-10-00-01	-199	01	132330-01-08	11-10-00-03	-007	01
131414-01-03	11-10-00-01	-198	01	132330-01-09	11-10-00-03	-008	01
131414-01-04	11-10-00-01	-193	01	132330-01-10	11-10-00-03	-009	01
131414-01-06	11-10-00-01	-195	01	132330-01-11	11-10-00-03	-012	01
131414-01-07	11-10-00-01	-194	01	132330-01-12	11-10-00-03	-013	01
131414-01-08	11-10-00-01	-201	01	132330-01-13	11-10-00-03	-011	02
131414-01-09	11-10-00-01	-200	01	132330-01-15	11-10-00-03	-010	02
131414-01-10	11-10-00-01	-197	01	132330-02	11-10-00-03	-016	01
131414-01-11	11-10-00-01	-196	01	132330-02-01	11-10-00-03	-017	01
131414-01-12	11-10-00-01	-202	02	132330-02-02	11-10-00-03	-018	01
131414-01-14	11-10-00-01	-205	01	132330-02-03	11-10-00-03	-019	01
131414-01-15	11-10-00-01	-204	01	132330-02-04	11-10-00-03	-020	01
131414-02	11-10-00-01	-176	01	132330-02-05	11-10-00-03	-029	01
131414-02-01	11-10-00-01	-188	02	132330-02-06	11-10-00-03	-030	01
131414-02-02	11-10-00-01	-184	01	132330-02-07	11-10-00-03	-021	01
131414-02-03	11-10-00-01	-183	01	132330-02-08	11-10-00-03	-022	01
131414-02-04	11-10-00-01	-178	01	132330-02-09	11-10-00-03	-023	01
131414-02-05	11-10-00-01	-177	01	132330-02-10	11-10-00-03	-024	01
131414-02-06	11-10-00-01	-180	01	132330-02-11	11-10-00-03	-027	01
131414-02-07	11-10-00-01	-179	01	132330-02-12	11-10-00-03	-028	01
131414-02-08	11-10-00-01	-186	01	132330-02-14	11-10-00-03	-026	02
131414-02-09	11-10-00-01	-185	01	132330-03	11-10-00-03	-032	01
131414-02-10	11-10-00-01	-182	01	132330-03-01	11-10-00-03	-033	01
131414-02-11	11-10-00-01	-181	01	132330-03-02	11-10-00-03	-034	01
131414-02-12	11-10-00-01	-187	02	132330-03-03	11-10-00-03	-035	01
131414-02-14	11-10-00-01	-190	01	132330-03-04	11-10-00-03	-036	01
131414-02-15	11-10-00-01	-189	01	132330-03-05	11-10-00-03	-045	01
131565-01	11-10-00-01	-206	02	132330-03-06	11-10-00-03	-046	01
132329-01	11-10-00-02	-001	01	132330-03-07	11-10-00-03	-037	01
132329-01-01	11-10-00-02	-002	01	132330-03-08	11-10-00-03	-038	01
132329-01-02	11-10-00-02	-003	01	132330-03-09	11-10-00-03	-039	01
132329-01-03	11-10-00-02	-004	01	132330-03-10	11-10-00-03	-040	01
132329-01-04	11-10-00-02	-005	01	132330-03-11	11-10-00-03	-043	01
132329-01-05	11-10-00-02	-012	01	132330-03-12	11-10-00-03	-044	01
132329-01-06	11-10-00-02	-013	01	132330-03-13	11-10-00-03	-042	02
132329-01-07	11-10-00-02	-010	01	132330-03-14	11-10-00-03	-041	02
132329-01-08	11-10-00-02	-011	01	132335-01	11-N-31-01	-077	01
132329-01-09	11-10-00-02	-006	01	132336-01	11-N-31-01	-078	01
132329-01-10	11-10-00-02	-007	01	1340A	34-11-00-01	-053	NP
132329-01-11	11-10-00-02	-009	02	1340A	34-11-00-01	-053A	NP
132329-01-13	11-10-00-02	-008	02	134650-01	11-10-00-04	-001	01
132329-01-13	11-10-00-02	-021	02	134650-02	11-10-00-04	-014	01
132329-02	11-10-00-02	-014	01	134651-01-67	11-10-00-04	-002	01
132329-02-01	11-10-00-02	-015	01	134651-01-68	11-10-00-04	-003	01
132329-02-02	11-10-00-02	-016	01	134651-02-67	11-10-00-04	-015	01
132329-02-03	11-10-00-02	-017	01	134651-02-68	11-10-00-04	-016	01
132329-02-04	11-10-00-02	-018	01	134652-01-67	11-10-00-04	-004	01
132329-02-05	11-10-00-02	-025	01	134652-01-68	11-10-00-04	-005	01
132329-02-06	11-10-00-02	-026	01	134652-02-67	11-10-00-04	-017	01
132329-02-07	11-10-00-02	-023	01	134652-02-68	11-10-00-04	-018	01
132329-02-08	11-10-00-02	-024	01	134653-01-67	11-10-00-04	-010	01
132329-02-09	11-10-00-02	-019	01	134653-01-68	11-10-00-04	-011	01
132329-02-10	11-10-00-02	-020	01	134653-02-67	11-10-00-04	-021	01
132329-02-12	11-10-00-02	-022	02	134653-02-68	11-10-00-04	-022	01
132330-01	11-10-00-03	-001	01	134654-01-67	11-10-00-04	-008	01
132330-01-01	11-10-00-03	-002	01	134654-01-68	11-10-00-04	-009	01

CESSNA AIRCRAFT COMPANY
MODEL 172 (SERIES 1996 AND ON)
ILLUSTRATED PARTS CATALOG

PART NUMBER	CH SEC SUBJ FIG	ITEM	REQ	PART NUMBER	CH SEC SUBJ FIG	ITEM	REQ
134654-02-67	11-10-00-04	-023	01	154-12000	32-30-00-01	-011	01
134654-02-68	11-10-00-04	-024	01	154-12400	32-30-00-01	-012	01
134655-01-67	11-10-00-04	-006	01	155-00100	32-30-00-01	-005	02
134655-01-68	11-10-00-04	-007	01	155-00200	32-31-00-01	-002	02
134655-02-67	11-10-00-04	-019	01	1552004-17	52-40-00-01	-014	01
134655-02-68	11-10-00-04	-020	01	1552004-17	52-40-00-02	-007	01
134656-01	11-10-00-04	-012	02	1552004-22	52-40-00-01	-011	01
134656-02	11-10-00-04	-025	02	1552004-22	52-40-00-02	-004	01
134657-01	11-10-00-04	-013	02	1552004-24	52-40-00-01	-012	01
134657-02	11-10-00-04	-026	02	1552004-24	52-40-00-02	-005	01
134657-03	11-10-00-04	-035	02	1552004-25	52-40-00-01	-017	01
134657-04	11-10-00-04	-044	02	1552004-25	52-40-00-02	-008	01
134662-01	11-10-00-04	-027	01	1552004-25	52-40-00-02	-022	01
134662-02	11-10-00-04	-036	01	1552004-32	52-40-00-01	-016	01
134663-01-67	11-10-00-04	-028	02	1552010-1	52-40-00-01	-013	01
134663-01-68	11-10-00-04	-029	02	1552010-1	52-40-00-02	-006	01
134663-02-67	11-10-00-04	-037	02	1555014-2	78-10-00-01	-009	08
134663-02-68	11-10-00-04	-038	02	1560023-3	27-10-00-02	-001	02
134664-01-67	11-10-00-04	-032	01	1560024-1	27-10-00-02	-011	01
134664-01-68	11-10-00-04	-033	01	1560024-17	27-10-00-02	-010	01
134664-02-67	11-10-00-04	-041	01	1560024-20	27-10-00-02	-009	01
134664-02-68	11-10-00-04	-042	01	1560024-20	27-10-00-02A	-015	01
134665-01-67	11-10-00-04	-030	01	1560024-21	27-10-00-02	-008	01
134665-01-68	11-10-00-04	-031	01	1560024-22	27-10-00-02	-008A	01
134665-02-67	11-10-00-04	-039	01	1560024-22	27-10-00-02	-008B	01
134665-02-68	11-10-00-04	-040	01	1560024-24	27-10-00-02	-008C	01
134666-01	11-10-00-04	-034	02	1560024-24	27-10-00-02	-008D	01
134666-02	11-10-00-04	-043	02	1560025-3	27-10-00-02	-007	02
135858-01	11-N-22-01	-002	01	1560025-3	27-10-00-02	-007A	02
13623-01-01	11-N-22-01	-002A	01	1560025-5	27-10-00-02	-007B	02
13623-01-02	11-10-00-03	-047	01	1560025-5	27-10-00-02	-007C	02
136860-01	11-10-00-03	-048	01	1570102-12	23-60-00-01	-003	01
136861-01	11-N-31-01	-079	01	1570102-12	23-60-00-01	-003A	01
136861-01	11-N-31-01	-080	01	1570102-14	23-60-00-01	-004	02
138629-01	11-10-00-08	-002A	01	1570102-19	23-60-00-01	-007	02
138629-02	11-10-00-08	-009A	01	1570102-19	23-60-00-01	-007A	02
138630-01	11-10-00-08	-016A	01	1570102-26	23-60-00-01	-002	02
138630-02	11-10-00-08	-024A	01	1570102-36	23-60-00-01	-003B	01
1394T100-10RA	34-10-00-01	-001B	NP	1570102-36	23-60-00-01	-003C	01
1394T100-10RA	34-10-00-01	-001C	NP	1570301-4	33-13-00-01	-079	NP
1394T100-10RA	34-10-00-01	-001D	NP	1570301-4	33-13-00-01	-079A	NP
1394T100-10RA	34-10-00-01	-001E	NP	1570301-5	33-13-00-01	-079B	01
1394T100-10RB	34-10-00-01	-001F	01	1570301-5	33-13-00-01	-079C	01
1394T100-10RB	34-10-00-01	-001G	01	1570301-7	33-13-00-01A	-001	01
1414107-1	25-21-00-01	-164	01	1570301-7	33-13-00-01A	-001A	01
1414107-2	25-21-00-01	-163	01	1570301-8	33-13-00-01A	-001B	01
14738	25-21-00-01	-165	02	1570301-8	33-13-00-01A	-001C	01
149-NL	80-10-00-01	-001B	01	16-1001620-35	33-43-00-02	-002	01
149-NL	80-10-00-01	-001C	01	161-03100	32-31-00-01	-006	01
149-NL/EC	80-10-00-01	-001D	01	161-04900	32-30-00-01	-002	01
149-NL/EC	80-10-00-01	-001E	01	1610-128-050A7	24-61-00-02	-007	01
1512280-24	27-50-00-02	-089	01	1610-128-050A7	24-61-00-02	-009	01
1512282-3	27-50-00-02	-084	01	1610-128-050A7	24-61-00-02	-081	01
1520006-1	33-40-00-02	-014	01	1610-128-050A7	24-61-00-02	-083	01
153-00300	32-30-00-01	-008	01	1610-128-050A7	24-61-00-03	-007	01
153-00300	32-30-00-01	-011A	01	1610-128-050A7	24-61-00-03	-008	01
153-00400	32-30-00-01	-010	02	1610-128-050A7	24-61-00-03	-011	01
153-00800	32-31-00-01	-003	04	1610-128-050A7	24-61-00-03A	-007	01
153-01500	32-30-00-01	-006	01	1610-128-050A7	24-61-00-03A	-008	01
154-00300	32-30-00-01	-009	01	1610-128-050A7	24-61-00-03A	-011	01
154-00600	32-31-00-01	-004	02	1610-128-050A7	24-61-00-03A	-012	01
154-01300	32-30-00-01	-007	01	1610-128-050A7	24-61-00-03A	-081	01

CESSNA AIRCRAFT COMPANY
MODEL 172 (SERIES 1996 AND ON)
 ILLUSTRATED PARTS CATALOG

PART NUMBER	CH SEC SUBJ FIG	ITEM	REQ	PART NUMBER	CH SEC SUBJ FIG	ITEM	REQ
1610-128-050A7	24-61-00-03A	-082	01	1610-128-050A7	24-61-00-13	-010	01
1610-128-050A7	24-61-00-03A	-086	01	1610-128-050A7	24-61-00-13	-011	01
1610-128-050A7	24-61-00-04	-007	01	1610-128-050A7	24-61-00-13	-012	01
1610-128-050A7	24-61-00-04	-008	01	1610-128-050A7	24-61-00-13	-013	01
1610-128-050A7	24-61-00-04	-009	01	1610-128-050A7	24-61-00-14	-008	01
1610-128-050A7	24-61-00-04	-012	01	1610-128-050A7	24-61-00-14	-009	01
1610-128-050A7	24-61-00-04	-013	01	1610-128-050A7	24-61-00-14	-010	01
1610-128-050A7	24-61-00-04	-081	01	1610-128-050A7	24-61-00-14	-011	01
1610-128-050A7	24-61-00-04	-082	01	1610-128-050A7	24-61-00-14	-012	01
1610-128-050A7	24-61-00-04	-083	01	1610-128-050A7	24-61-00-15	-009	01
1610-128-050A7	24-61-00-04	-086	01	1610-128-050A7	24-61-00-15	-010	01
1610-128-050A7	24-61-00-05	-007	01	1610-128-050A7	24-61-00-15	-011	01
1610-128-050A7	24-61-00-05	-008	01	1610-128-050A7	24-61-00-15	-012	01
1610-128-050A7	24-61-00-05	-010	01	1610-128-050A7	24-61-00-15	-013	01
1610-128-050A7	24-61-00-05	-012	01	1610-128-050A7	24-61-00-15	-014	01
1610-128-050A7	24-61-00-05	-013A	01	1610-128-080A7	24-61-00-02	-008	01
1610-128-050A7	24-61-00-05	-081	01	1610-128-080A7	24-61-00-02	-082	01
1610-128-050A7	24-61-00-05	-082	01	1610-128-080A7	24-61-00-03	-009	01
1610-128-050A7	24-61-00-05	-083	01	1610-128-080A7	24-61-00-03	-010	01
1610-128-050A7	24-61-00-05	-086	01	1610-128-080A7	24-61-00-03A	-009	01
1610-128-050A7	24-61-00-06	-007	01	1610-128-080A7	24-61-00-03A	-010	01
1610-128-050A7	24-61-00-06	-008	01	1610-128-080A7	24-61-00-03A	-083	01
1610-128-050A7	24-61-00-06	-010	01	1610-128-080A7	24-61-00-03A	-084	01
1610-128-050A7	24-61-00-06	-012	01	1610-128-080A7	24-61-00-03A	-085	01
1610-128-050A7	24-61-00-06	-081	01	1610-128-080A7	24-61-00-04	-010	01
1610-128-050A7	24-61-00-06	-082	01	1610-128-080A7	24-61-00-04	-011	01
1610-128-050A7	24-61-00-06	-084	01	1610-128-080A7	24-61-00-04	-084	01
1610-128-050A7	24-61-00-06	-086	01	1610-128-080A7	24-61-00-04	-085	01
1610-128-050A7	24-61-00-07	-007	01	1610-128-080A7	24-61-00-05	-009	01
1610-128-050A7	24-61-00-07	-008	01	1610-128-080A7	24-61-00-05	-011	01
1610-128-050A7	24-61-00-07	-010	01	1610-128-080A7	24-61-00-05	-084	01
1610-128-050A7	24-61-00-07	-012	01	1610-128-080A7	24-61-00-05	-085	01
1610-128-050A7	24-61-00-07	-013A	01	1610-128-080A7	24-61-00-06	-009	01
1610-128-050A7	24-61-00-08	-007	01	1610-128-080A7	24-61-00-06	-011	01
1610-128-050A7	24-61-00-08	-008	01	1610-128-080A7	24-61-00-06	-083	01
1610-128-050A7	24-61-00-08	-011	01	1610-128-080A7	24-61-00-06	-085	01
1610-128-050A7	24-61-00-08	-012	01	1610-128-080A7	24-61-00-07	-009	01
1610-128-050A7	24-61-00-09	-007	01	1610-128-080A7	24-61-00-07	-011	01
1610-128-050A7	24-61-00-09	-008	01	1610-128-080A7	24-61-00-08	-009	01
1610-128-050A7	24-61-00-09	-011	01	1610-128-080A7	24-61-00-08	-010	01
1610-128-050A7	24-61-00-09	-012	01	1610-128-080A7	24-61-00-09	-009	01
1610-128-050A7	24-61-00-09	-014	01	1610-128-080A7	24-61-00-09	-010	01
1610-128-050A7	24-61-00-10	-007	01	1610-128-080A7	24-61-00-10	-010	01
1610-128-050A7	24-61-00-10	-008	01	1610-128-080A7	24-61-00-10	-011	01
1610-128-050A7	24-61-00-10	-009	01	1610-128-080A7	24-61-00-11	-010	01
1610-128-050A7	24-61-00-10	-012	01	1610-128-080A7	24-61-00-11	-011	01
1610-128-050A7	24-61-00-10	-014	01	1610-128-080A7	24-61-00-12	-013	01
1610-128-050A7	24-61-00-10	-015	01	1610-128-080A7	24-61-00-12	-014	01
1610-128-050A7	24-61-00-11	-007	01	1610-128-080A7	24-61-00-13	-014	01
1610-128-050A7	24-61-00-11	-008	01	1610-128-080A7	24-61-00-13	-015	01
1610-128-050A7	24-61-00-11	-009	01	1610-128-080A7	24-61-00-14	-013	01
1610-128-050A7	24-61-00-11	-012	01	1610-128-080A7	24-61-00-14	-014	01
1610-128-050A7	24-61-00-11	-014	01	1610-128-080A7	24-61-00-15	-015	01
1610-128-050A7	24-61-00-12	-007	01	1610-128-080A7	24-61-00-15	-016	01
1610-128-050A7	24-61-00-12	-008	01	1611021-01R	25-10-00-02	-014	NP
1610-128-050A7	24-61-00-12	-009	01	1611021-01R	25-10-00-02	-014A	NP
1610-128-050A7	24-61-00-12	-010	01	1611021-05	25-10-00-02	-014B	NP
1610-128-050A7	24-61-00-12	-011	01	1611021-05	25-10-00-02	-014C	NP
1610-128-050A7	24-61-00-12	-012	01	1611021-07	25-10-00-02	-014D	NP
1610-128-050A7	24-61-00-13	-007	01	1611021-07	25-10-00-02	-014E	NP
1610-128-050A7	24-61-00-13	-008	01	1611021-07	25-10-00-03	-005	NP
1610-128-050A7	24-61-00-13	-009	01	1611021-07	25-10-00-03	-005A	NP

CESSNA AIRCRAFT COMPANY
MODEL 172 (SERIES 1996 AND ON)
ILLUSTRATED PARTS CATALOG

PART NUMBER	CH	SEC	SUBJ	FIG	ITEM	REQ	PART NUMBER	CH	SEC	SUBJ	FIG	ITEM	REQ
1613224-2	53	10	02	01	-012	02	2003	76	10	00	01	-001C	NP
162-02800	32	31	00	01	-007	01	2004	76	11	00	01	-001D	NP
162-04700	32	30	00	01	-003	01	2004	76	11	00	01	-001E	NP
1620075-3	33	40	00	02	-090	02	2013142-18	34	11	00	01	-075	01
1620075-3	33	40	00	03	-008	02	2015009-7	25	20	20	01	-001	01
164-04000	32	30	00	01	-014	01	2015009-9	25	20	20	01	-002	01
1648	34	11	00	01	-053B	01	2020-0	25	60	00	01	-001C	01
1648	34	11	00	01	-053C	01	2050005-1	71	60	00	01	-016	01
165-510-012	76	11	00	01	-018	01	2052031-12	71	60	00	01	-012	01
1700127-1	25	80	00	01	-001	02	214-00100	32	30	00	01	-004	01
1700127-1	25	80	00	01	-002	04	214-00200	32	30	00	01	-013	02
1700127-16	25	80	00	01	-009	04	214-00300	32	31	00	01	-008	01
1700127-4	25	80	00	01	-004	02	214-00400	32	31	00	01	-005	02
1700127-6	25	80	00	01	-005	01	215CC	37	10	00	01	-019B	01
1714005-2	25	21	00	01	-181	01	215CC	37	10	00	01	-019C	01
1716008-1	57	10	02	01	-097	01	215CC	37	10	00	02	-024B	NP
1726048-2	57	10	02	01	-011	05	215CC	37	10	00	02	-024C	NP
1726049-1	57	10	02	01	-012	05	215CC	37	10	00	03	-019	NP
172PBC-MK2501-00	25	10	03	01	-021	AR	215CC	37	10	00	03	-019A	NP
172PBC-MK2501-00	25	21	01	01	-021	AR	216510	33	10	01	01	-019	01
1741005-59	32	11	00	01	-016	01	216510	33	10	01	01	-020	01
1741005-60	32	11	00	01	-017	01	216510	33	10	01	02	-006	01
1741005-61	32	11	00	01	-016A	01	216CW	37	10	00	01	-020B	NP
1741005-62	32	11	00	01	-017A	01	216CW	37	10	00	01	-020C	NP
1752002-3	52	40	00	01	-015	01	216CW	37	10	00	02	-025B	NP
1754007-1	78	10	00	01	-004	NP	216CW	37	10	00	02	-025C	NP
1754008-3	78	10	00	01	-005	NP	216CW	37	10	00	03	-020	NP
1754009-3	78	10	00	01	-006	NP	216CW	37	10	00	03	-020A	NP
1754010-1	78	10	00	01	-007	NP	217-00100	32	31	00	01	-009	01
1776-1	11	10	00	03	-049	01	2213117-2	33	10	01	01	-002	01
183-00100	32	30	00	01	-033	01	2213119-3	33	10	01	01	-028	01
187-01831-0000	34	51	00	01	-003	01	2213119-4	33	10	01	01	-030	01
19-171053-100	33	43	00	02	-007	01	2213119-5	33	10	01	01	-031	01
1A170E/JHA7660	61	10	00	01	-001A	01	2247-5	21	20	00	01	-093	NP
1A170E/JHA7660	61	10	00	01	-001B	01	2247-5	21	20	00	01	-093A	NP
1A3C-1	77	40	00	01	-003F	01	2253026-1	53	10	00	02	-227	01
1A3C-1	77	40	00	01	-003G	01	2253028-1	53	10	00	02	-228	01
1A3C-2	77	40	00	01	-003H	01	22555-6	34	51	00	01	-006	01
1A3C-2	77	40	00	01	-003J	01	2260122-1	27	21	00	01	-092	01
1C235/LFA7570	61	10	00	01	-001	01	2400002-17	25	80	00	01	-013	02
1H5-25	37	10	00	01	-001	NP	2400002-3	25	80	00	01	-012	06
1H5-25	37	10	00	01	-001A	NP	2400002-4	25	80	00	01	-011	08
1H5-25	37	10	00	02	-001	NP	2400002-6	25	80	00	01	-014	01
1H5-25	37	10	00	03	-001	NP	2400002-7	25	80	00	02	-010	02
1H5-25	37	10	00	03	-001A	NP	2400010-25	28	21	00	01	-179	01
1N6391	24	61	00	01	-023	01	2400010-26	28	21	00	01	-258	01
1N6391	24	61	00	01	-024	01	2400010-45	28	21	00	01	-172	01
1N6391	24	61	00	01A	-023	02	2411014-13	53	10	00	01	-017B	01
1N6391	24	61	00	01A	-023A	02	2411014-13	53	10	00	01	-017C	01
1N6391	24	61	00	01B	-017	01	2411014-14	53	10	00	01	-018B	01
1N6391	24	61	00	01B	-018	01	2411014-14	53	10	00	01	-018C	01
1N6391	24	61	00	01B	-019	01	2411014-7	53	10	00	01	-017	NP
1N6391	24	61	00	01B	-020	01	2411014-7	53	10	00	01	-017A	NP
2000031-09-201	25	10	03	01	-001	NP	2411014-8	53	10	00	01	-018	NP
2000031-09-201	25	10	03	01	-001A	NP	2411014-8	53	10	00	01	-018A	NP
2000031-10-201	25	10	03	01	-001B	NP	2411029-3	53	10	00	02	-194	01
2000031-10-201	25	10	03	01	-001C	NP	2411029-4	53	10	00	02	-195	01
2000031-11-201	25	21	01	01	-001	NP	2413026-11	53	11	00	01	-019	01
2000031-11-201	25	21	01	01	-001A	NP	2413026-12	53	11	00	01	-020	01
2000031-12-201	25	21	01	01	-001B	NP	2413026-5	53	11	00	01	-017	01
2000031-12-201	25	21	01	01	-001C	NP	2413026-6	53	11	00	01	-018	01
2003	76	10	00	01	-001B	NP	2413031-1	53	11	00	01	-011	01

CESSNA AIRCRAFT COMPANY
MODEL 172 (SERIES 1996 AND ON)
ILLUSTRATED PARTS CATALOG

PART NUMBER	CH SEC SUBJ FIG	ITEM	REQ	PART NUMBER	CH SEC SUBJ FIG	ITEM	REQ
2413031-2	53-11-00-01	-012	01	2432000-21	55-20-00-01	-011E	01
2413032-1	53-11-00-01	-013	01	2432000-211	55-20-00-01	-011F	01
2413032-2	53-11-00-01	-014	01	2432000-212	55-20-00-01	-010F	01
2413034-1	53-11-00-01	-015	01	2432000-22	55-20-00-01	-010D	01
2413034-2	53-11-00-01	-016	01	2432000-22	55-20-00-01	-010E	01
2413036-5	53-11-00-01	-030	01	2432000-23	55-10-00-01	-001H	01
2413036-6	53-11-00-01	-031	01	2432000-23	55-10-00-01	-001J	01
2413050-7	53-11-00-01	-001	01	2432000-4	55-10-00-01	-001	01
2413050-8	53-11-00-01	-001A	01	2432000-4	55-10-00-01	-001A	01
2413050-8	53-11-00-01	-001B	01	2432000-5	55-10-00-01	-022	01
2413050-9	53-11-00-01	-001C	01	2432000-6	55-10-00-01	-021	01
2413050-9	53-11-00-01	-001D	01	2432001-1	55-20-00-01	-024	01
2413065-1	53-10-00-02	-079	01	2432002-1	55-20-00-01	-016	01
2413065-4	53-10-00-02	-080	01	2432003-1	55-20-00-01	-005	01
2413134-11	53-22-00-02	-011	01	2455019-1	71-11-00-01	-018	01
2413139-1	53-10-00-02	-017	01	2455034-1	71-11-00-01	-113	01
2413139-2	53-10-00-02	-018	01	2455042-1	71-11-00-01	-114	01
2413143-1	33-10-01-01	-015	01	2455068-1	71-11-00-01	-014	01
2415014-10	25-20-10-02	-024	NP	2455076-1	71-11-00-01	-012	01
2415014-10	25-20-10-02	-025	NP	2460035-2	27-10-00-01	-099	01
2415014-12	25-20-10-02	-026	01	2460038-1	27-70-00-01	-004A	01
2415014-12	25-20-10-02	-027	01	2467005-3	27-21-00-01	-023	AR
2415014-14	25-20-10-03	-095	NP	2467005-4	27-21-00-01	-024	AR
2415014-14	25-20-10-03	-096	NP	2467005-5	27-21-00-01	-025	AR
2415014-16	25-20-10-03	-097	01	2467005-6	27-21-00-01	-026	AR
2415014-16	25-20-10-03	-098	01	24RB	33-10-00-02	-002	01
2415014-18	25-20-10-03	-098A	01	2526028-3	28-22-00-02	-009	01
2415014-18	25-20-10-03	-098B	01	2576536-2	73-10-00-01	-001	01
2415014-8	25-20-10-01	-015	01	2577129	73-10-00-01	-004	01
2415033-3	53-20-00-01	-018	01	259-2240-6-8	28-21-00-01	-005A	01
2415033-4	53-20-00-01	-019	01	2619012-1	27-10-00-02	-075B	NP
2415033-5	53-20-00-01	-018A	01	2619012-1	27-10-00-02	-075C	NP
2415033-6	53-20-00-01	-019A	01	277-P-04X02	22-10-00-01	-018	01
2417001-1	52-10-00-01	-113	NP	277-P-04X02	22-10-00-01	-018A	01
2417001-1	52-10-00-01	-113A	NP	28RB	27-10-00-02A	-022	01
2417001-2	52-10-00-02	-113	NP	28RB	33-10-00-02	-002A	01
2417001-2	52-10-00-02	-113A	NP	2972-3	21-20-00-01	-078	NP
2417002-1	52-10-00-01	-015	01	2H3-48	37-10-00-04	-039	NP
2417002-2	52-10-00-02	-015	01	2H3-48	37-10-00-04	-039A	NP
2417003-1	52-10-00-01	-014	01	2H3-48	37-10-00-05	-005	NP
2417003-2	52-10-00-02	-014	01	2H3-48	37-10-00-06	-005	NP
2421000-1	57-10-03-01	-001	01	2H3-48	37-10-00-06	-005A	NP
2421000-2	57-10-03-01	-002	01	3/32X.375TYPE3	27-30-01-02	-010	02
2425001-1	57-10-02-01	-176	02	3/32X.625TYPE3	27-30-01-02	-017	04
2425001-1	57-10-02-01	-177	02	30-75A	32-30-00-01	-018	02
2425001-3	57-10-02-01	-184	01	3000-11	25-60-00-01	-001	01
2425001-4	57-10-02-01	-185	01	300048-200	23-51-00-01	-006	AR
2432000-11	55-20-00-01	-011	NP	3001-12	25-60-00-01	-003B	01
2432000-11	55-20-00-01	-011A	NP	3001-12	25-60-00-01	-003C	01
2432000-12	55-20-00-01	-010	NP	3003-45	25-60-00-01	-003	01
2432000-12	55-20-00-01	-010A	NP	3003-45	25-60-00-01	-003A	01
2432000-16	55-10-00-01	-001B	01	3043-1-011-8096	25-10-00-05	-004	01
2432000-16	55-10-00-01	-001C	01	309-4318	27-10-00-02A	-011	01
2432000-17	55-10-00-01	-001D	NP	314-1431-006-500	33-13-00-01	-085	06
2432000-17	55-10-00-01	-001E	NP	314-1431-006-500	33-13-00-01A	-006	02
2432000-18	55-10-00-01	-001F	NP	31B22207	80-10-00-01	-001	NP
2432000-18	55-10-00-01	-001G	NP	31B22207	80-10-00-01	-001A	NP
2432000-19	55-20-00-01	-011B	NP	32DKWUE006F0126	77-20-00-01	-008	04
2432000-19	55-20-00-01	-011C	NP	32DKWUE006F0126	77-20-00-01	-008A	04
2432000-20	55-20-00-01	-010B	NP	34-0428020-65	33-40-00-02	-021D	01
2432000-20	55-20-00-01	-010C	NP	34-0750692-00	33-40-00-01	-051	01
2432000-21	55-20-00-01	-011D	01	34-0750707-00	33-40-00-01	-017	01

CESSNA AIRCRAFT COMPANY
MODEL 172 (SERIES 1996 AND ON)
ILLUSTRATED PARTS CATALOG

PART NUMBER	CH SEC SUBJ FIG	ITEM	REQ	PART NUMBER	CH SEC SUBJ FIG	ITEM	REQ
34-0750707-00	33-40-00-01	-018	01	3930306-3	24-61-00-02	-001A	01
345-6196-04	25-60-00-02	-016	01	3930307-3	24-61-00-03A	-001	01
345-6196-04	25-60-00-03	-014	01	3930307-3	24-61-00-03A	-001A	01
350	37-10-00-01	-027	01	3930309-1	24-61-00-06	-003	01
350	37-10-00-02	-031	01	3930310-1	24-61-00-06	-001	01
350	37-10-00-03	-027	01	3930312-1	24-61-00-05	-004	01
350-3-0085	32-32-00-01	-003	NP	3930312-1	24-61-00-05	-078	01
3642-11	21-20-00-01	-015	NP	3930312-1	24-61-00-06	-004	01
3642-11	21-20-00-01	-015A	NP	3930312-1	24-61-00-06	-078	01
3642-12	21-20-00-01	-003	NP	3930312-1	24-61-00-07	-004	01
3642-12	21-20-00-01	-003A	NP	3930312-1	24-61-00-08	-004	01
3680C	32-10-00-01	-037	AR	3930312-1	24-61-00-09	-004	01
3680C	32-20-00-01	-029	01	3930312-1	24-61-00-10	-004	01
378K4	24-20-00-01	-007	01	3930312-1	24-61-00-11	-004	01
38-0230021-00	33-40-00-02	-023D	01	3930312-1	24-61-00-12	-004	01
38-0230039-00	33-43-00-01	-004	01	3930312-1	24-61-00-13	-004	01
38-0231061-00	33-43-00-02	-005	02	3930312-1	24-61-00-14	-004	01
38-0250762-00	33-43-00-02	-008	01	3930312-1	24-61-00-15	-004	01
3910100-1	34-51-00-01	-103	01	3930317-1	25-60-00-01	-005A	01
3910100-1	34-51-00-01	-103A	01	3930342-1	24-61-00-02	-077	01
3910100-2	34-51-00-01	-099	01	3930342-1	24-61-00-02	-077A	01
3910100-2	34-51-00-01	-099A	01	3930343-1	24-61-00-03	-003	01
3910310-1	34-50-00-01	-005	01	3930343-1	24-61-00-03	-003A	01
3910310-1	34-50-00-01	-005A	01	3930343-2	24-61-00-03A	-077	01
3910310-20	34-52-00-01	-001	01	3930343-2	24-61-00-03A	-077A	01
3910310-21	34-52-00-01	-002	01	3930344-1	24-61-00-04	-077	01
3910310-3	34-50-00-01	-007	01	3930344-1	24-61-00-04	-077A	01
3910310-3	34-50-00-01	-007A	01	3930344-1	24-61-00-05	-077	01
3910310-4	34-50-00-01	-002B	01	3930344-1	24-61-00-05	-077A	01
3910310-4	34-50-00-01	-002C	01	3930344-2	24-61-00-06	-077	01
3910310-5	34-50-00-01	-001	01	3930344-4	24-61-00-07	-003	01
3910310-5	34-50-00-01	-001A	01	3930344-5	24-61-00-08	-003	01
3910313-1	34-51-00-01	-101	01	3930344-6	24-61-00-09	-003	01
3910313-1	34-51-00-01	-101A	01	3930344-7	24-61-00-10	-003	01
3910313-2	34-51-00-01	-097	01	3930344-8	24-61-00-11	-003	01
3910313-2	34-51-00-01	-097A	01	3930347-3	24-61-00-12	-003	01
3910314-1	34-51-00-01	-107	01	3930347-4	24-61-00-13	-003	01
3910314-1	34-51-00-01	-107A	01	3930347-6	24-61-00-14	-003	01
3910314-2	34-51-00-01	-108	01	3930347-7	24-61-00-15	-003	01
3910314-2	34-51-00-01	-108A	01	3930348-1	24-61-00-02	-075	01
3910317-22	34-60-00-01	-004	01	3930348-1	24-61-00-02	-075A	01
3910317-22	34-60-00-01	-004A	01	3930348-10	11-N-31-03	-003	01
3921146-2	33-10-01-01	-023	01	3930348-10	11-N-31-03	-003A	01
3921146-2	33-10-01-01	-024	01	3930348-11	24-61-00-05	-075	01
3921146-2	33-10-01-02	-007	01	3930348-11	24-61-00-05	-075A	01
3921146-2	33-10-01-02	-007A	01	3930348-12	11-N-31-03	-002	01
3923103-1	53-22-00-02	-019	01	3930348-12	11-N-31-03	-002A	01
3925110-4	21-21-00-02	-001	01	3930348-13	24-61-00-07	-001	01
3925110-4	21-21-00-02	-001A	01	3930348-13	24-61-00-07	-001A	01
3925118-3	21-21-00-02	-001B	01	3930348-14	11-N-31-03	-001	01
3925118-3	21-21-00-02	-001C	01	3930348-14	11-N-31-03	-001A	01
3927142-4	34-40-00-01	-006	01	3930348-2	11-N-31-03	-075	01
3927142-4	34-40-00-01	-006A	01	3930348-2	11-N-31-03	-075A	01
3929133-1	24-61-00-12	-020	01	3930348-21	24-61-00-08	-001	01
3929140-1	24-61-00-13	-022	01	3930348-21	24-61-00-08	-001A	01
3929149-1	24-61-00-14	-017	01	3930348-22	11-N-31-03	-151	01
3929155-1	25-60-00-03	-003	01	3930348-22	11-N-31-03	-151A	01
3929163-1	28-22-00-03	-012	01	3930348-23	24-61-00-09	-001	01
3929163-1	28-22-00-03	-012A	01	3930348-23	24-61-00-09	-001A	01
3930305-1	24-61-00-04	-001	01	3930348-24	11-N-31-03	-150	01
3930305-1	24-61-00-04	-001A	01	3930348-24	11-N-31-03	-150A	01
3930306-3	24-61-00-02	-001	01	3930348-25	24-61-00-11	-001	01

CESSNA AIRCRAFT COMPANY
MODEL 172 (SERIES 1996 AND ON)
 ILLUSTRATED PARTS CATALOG

PART NUMBER	CH SEC SUBJ FIG	ITEM	REQ	PART NUMBER	CH SEC SUBJ FIG	ITEM	REQ
3930348-25	24-61-00-11	-001A	01	3930444-4	31-00-00-01	-161	01
3930348-26	11-N-31-03	-152	01	3930444-4	31-00-00-01	-161A	01
3930348-26	11-N-31-03	-152A	01	3930470-3	11-N-31-01	-005	01
3930348-27	24-61-00-10	-001	01	3930470-3	11-N-31-01	-005A	01
3930348-27	24-61-00-10	-001A	01	3930470-4	11-N-31-01	-006	01
3930348-28	11-N-31-03	-078	01	3930470-4	11-N-31-01	-006A	01
3930348-28	11-N-31-03	-078A	01	3930492-2	22-10-00-01A	-004	01
3930348-29	24-61-00-12	-001	01	3930494-3	34-50-01-02	-007	NP
3930348-3	24-61-00-03	-001	01	3930494-3	34-50-01-02	-007A	NP
3930348-3	24-61-00-03	-001A	01	3930494-5	34-50-01-02	-007B	01
3930348-30	24-61-00-13	-001	01	3930494-5	34-50-01-02	-007C	01
3930348-33	11-N-31-03	-077	01	3940368-1	24-61-00-05	-003	01
3930348-33	11-N-31-03	-077A	01	3940368-1	24-61-00-05	-003A	01
3930348-34	24-61-00-14	-001	01	3940368-1	24-61-00-07	-003A	01
3930348-35	11-N-31-03	-076	01	3940369-1	24-61-00-05	-001	01
3930348-35	11-N-31-03	-076A	01	3940369-1	24-61-00-05	-001A	01
3930348-36	24-61-00-15	-001	01	3940389-2	21-21-00-01A	-006	01
3930348-4	11-N-31-03	-153	01	3940389-3	21-21-00-01A	-004	01
3930348-4	11-N-31-03	-154	01	3940396-13	53-10-00-04	-002	02
3930348-5	24-61-00-03A	-075	01	3940396-15	53-10-00-04	-003	01
3930348-5	24-61-00-03A	-075A	01	3940396-16	53-10-00-04	-004	01
3930348-6	11-N-31-03	-005	01	3940396-17	53-10-00-04	-006	01
3930348-6	11-N-31-03	-005A	01	3940396-18	53-10-00-04	-009	01
3930348-7	24-61-00-04	-075	01	3940396-2	53-10-00-04	-010	02
3930348-7	24-61-00-04	-075A	01	3940396-3	53-10-00-04	-013	01
3930348-8	11-N-31-03	-004	01	3940396-5	53-10-00-04	-018	01
3930348-8	11-N-31-03	-004A	01	3940396-6	53-10-00-04	-015	01
3930348-9	24-61-00-06	-075	01	3940396-7	53-10-00-04	-014	01
3930369-8	53-10-00-03	-004	01	3940396-8	53-10-00-04	-020	01
3930378-12	53-10-00-03	-014	01	3940404-2	53-20-00-01	-229	01
3930378-15	53-10-00-03	-015	01	3940404-2	53-20-00-01	-229A	01
3930378-16	53-10-00-03	-017	01	3940420-3	11-N-31-01	-076	01
3930378-2	53-10-00-03	-001	01	3940420-3	11-N-31-01	-076A	01
3930378-23	53-10-00-03	-006	02	3940444-10	25-60-00-02	-012	01
3930378-24	24-34-00-02	-004	01	3940444-10	53-20-00-01	-229D	01
3930378-29	53-10-00-03	-016	01	3940444-10	53-20-00-01	-229E	01
3930378-3	53-10-00-03	-007	01	3940444-3	53-20-00-01	-229B	NP
3930378-30	53-10-00-03	-018	01	3940444-3	53-20-00-01	-229C	NP
3930378-31	53-10-00-03	-003	01	3940444-4	53-20-00-01	-228B	01
3930378-32	53-10-00-03	-019	01	3940444-4	53-20-00-01	-228C	01
3930378-33	53-10-00-03	-020	01	3940444-9	25-60-00-02	-015	01
3930378-34	53-10-00-03	-021	01	3940446-5	25-60-00-02	-011	01
3930378-34	53-10-00-03	-021A	01	3940446-5	25-60-00-03	-008	01
3930378-36	53-10-00-03	-021B	01	3940448-3	34-60-00-02	-009	01
3930378-36	53-10-00-03	-021C	01	3940448-5	34-60-00-02	-010	01
3930378-4	53-10-00-03	-008	01	3940452-3	22-10-00-03	-033	02
3930378-6	24-34-00-02	-005	01	3940452-3	53-20-00-01	-333	01
3930379-4	21-21-00-02	-010	01	3940453-2	22-10-00-02	-009	01
3930379-5	21-21-00-02	-011	01	3940453-2	22-10-00-02A	-016	01
3930418-2	24-61-00-02	-003	01	3940453-3	22-10-00-02	-008	01
3930418-2	24-61-00-02	-003A	01	3940453-3	22-10-00-02A	-025	01
3930420-1	24-61-00-03A	-003	01	3940453-4	22-10-00-02	-010	01
3930420-1	24-61-00-03A	-003A	01	3940453-4	22-10-00-02A	-017	01
3930421-1	24-61-00-04	-003	01	3940458-3	25-60-00-03	-009	01
3930421-1	24-61-00-04	-003A	01	3940458-3	53-20-00-01	-233	01
3930441-1	34-51-00-01	-081	01	3940458-3	53-20-00-01	-233A	01
3930444-1	31-00-00-01	-156B	01	3940458-4	25-60-00-03	-010	01
3930444-1	31-00-00-01	-156C	01	3940458-5	53-20-00-01	-234	01
3930444-2	31-00-00-01	-163	01	3940458-5	53-20-00-01	-234A	01
3930444-2	31-00-00-01	-163A	01	3940475-13	22-10-00-03	-015A	01
3930444-3	31-00-00-01	-162	01	3940475-14	22-10-00-03	-034A	01
3930444-3	31-00-00-01	-162A	01	3940475-2	22-10-00-03	-034	NP

CESSNA AIRCRAFT COMPANY
MODEL 172 (SERIES 1996 AND ON)
ILLUSTRATED PARTS CATALOG

PART NUMBER	CH SEC SUBJ FIG	ITEM	REQ	PART NUMBER	CH SEC SUBJ FIG	ITEM	REQ
3940475-3	22-10-00-03	-030	01	4594	33-40-00-01	-050	01
3940475-3	53-20-00-01	-334	01	4595-1	33-11-01-01	-011	02
3940475-4	22-10-00-03	-011	01	4595-1	33-11-01-01	-012	02
3940475-6	22-10-00-03	-015	NP	4595-1	33-11-01-01	-015	02
3940475-8	22-10-00-03	-019	01	4595-1	33-11-01-01	-016	02
3940478-3	34-50-03-01	-004	02	4596	33-40-00-01	-047	NP
3940478-4	34-50-03-01	-005	01	4596	33-40-00-01	-048	NP
3940478-5	34-50-03-01	-007	01	4596-1	33-11-01-01	-001	01
3940478-6	34-50-03-01	-008	01	4596-1	33-11-01-01	-001A	01
3940478-7	34-50-03-01	-006	01	4626	33-40-00-01	-015	NP
3940478-8	34-50-03-01	-010	01	4626	33-40-00-01	-016	NP
3940478-9	34-50-03-01	-011	01	48172	57-50-00-01	-032	02
3940482-1	34-30-01-01	-007	01	49330	53-00-00-01	-012	54
3940482-2	34-30-01-01	-008	01	49330	53-00-00-01	-021	06
3940483-6	53-10-00-04	-023	01	4X	11-00-00-01	-047	AR
3940483-6	53-10-00-04	-023A	01	500454-8S	28-21-00-01	-008	01
3940483-7	53-10-00-04	-025	01	500454-8S	28-21-00-01	-008A	01
3940483-7	53-10-00-04	-025A	01	500454-8S	79-20-00-01	-007A	02
3940483-8	53-10-00-04	-026	02	504516-401-8013	25-10-03-01	-001D	02
3940483-8	53-10-00-04	-026A	02	504516-401-8013	25-10-03-01	-001E	02
3940483-9	53-10-00-04	-027	02	504516-401-8087	25-10-03-01	-001F	02
3940483-9	53-10-00-04	-027A	02	504516-401-8087	25-10-03-01	-001G	02
3940484-16	34-40-00-01	-011	01	504516-401-8096	25-10-03-01	-001K	02
3940484-16	34-40-00-01	-011A	01	504516-401-8096	25-10-03-01	-001L	02
3940484-4	34-40-00-01	-009	01	504516-401-8105	25-10-03-01	-001H	02
3940484-4	34-40-00-01	-009A	01	504516-401-8105	25-10-03-01	-001J	02
3940484-5	34-40-00-01	-013	01	504516-403-8013	25-21-01-01	-001D	02
3940484-5	34-40-00-01	-013A	01	504516-403-8013	25-21-01-01	-001E	02
3940484-6	34-40-00-01	-012	01	504516-403-8087	25-21-01-01	-001F	02
3940484-6	34-40-00-01	-012A	01	504516-403-8087	25-21-01-01	-001G	02
3940484-7	34-40-00-01	-015	01	504516-403-8096	25-21-01-01	-001K	02
3940484-7	34-40-00-01	-015A	01	504516-403-8096	25-21-01-01	-001L	02
3A	11-00-00-01	-079	AR	504516-403-8105	25-21-01-01	-001H	02
3X	11-00-00-01	-038	AR	504516-403-8105	25-21-01-01	-001J	02
4000-11	25-60-00-01	-001A	01	504851-401-8013	25-10-03-01	-002	02
4000-11	25-60-00-01	-001B	01	504851-401-8087	25-10-03-01	-002A	02
4000014-002	21-21-00-01	-001	01	504851-401-8087	25-10-03-01	-002B	02
4000014-002	21-21-00-01A	-001	01	504851-401-8096	25-10-03-01	-002E	02
4319-1	21-20-00-01	-004	NP	504851-401-8096	25-10-03-01	-002F	02
4319-1	21-20-00-01	-016	NP	504851-401-8105	25-10-03-01	-002C	02
4319-1	21-20-00-01	-016A	NP	504851-401-8105	25-10-03-01	-002D	02
4319-2	21-20-00-01	-004B	NP	504851-403-8013	25-21-01-01	-002	02
4319-2	21-20-00-01	-004C	NP	504851-403-8087	25-21-01-01	-002A	02
4344-184-226	31-10-00-01	-093	01	504851-403-8087	25-21-01-01	-002B	02
452-0133	25-60-00-02	-017	01	504851-403-8096	25-21-01-01	-002E	02
452-201-006	25-60-01-01	-001	01	504851-403-8096	25-21-01-01	-002F	02
452-201-006	25-60-01-01	-001A	01	504851-403-8105	25-21-01-01	-002C	02
452-201-010	25-60-01-01	-001B	01	504851-403-8105	25-21-01-01	-002D	02
452-201-010	25-60-01-01	-001C	01	508358-409	25-10-03-01A	-018	01
452-3034	25-60-00-03	-002	01	508358-409	25-21-01-01A	-021	01
452-3034	25-60-00-03	-002A	01	508358-409	25-21-01-01A	-021A	01
452-3034-1	25-60-00-03	-002B	01	508358-421	25-21-01-01A	-021B	01
452-3034-1	25-60-00-03	-002C	01	508358-421	25-21-01-01A	-021C	01
452-3052	25-60-00-02	-006	01	508792-401	25-10-03-01A	-014	01
452-5050	25-60-00-02	-004	01	508794-401	25-10-03-01A	-015	01
452-5066	25-60-00-02	-005	01	508794-401	25-21-01-01A	-019	02
452-6505	25-60-00-03	-012	01	508976-201	25-10-03-01A	-017	01
453-5060	25-60-00-02	-003	01	508976-205	25-21-01-01A	-020	01
455-0012	25-60-00-03	-016	01	50F-003-BNC	23-50-00-01	-008	01
4587	33-40-00-01	-013	NP	5100-00-1	28-21-00-01	-029	NP
4587	33-40-00-01	-014	NP	5100-00-1	28-21-00-01	-029A	NP
4594	33-40-00-01	-049	01	5100-00-3	28-21-00-01	-029B	NP

CESSNA AIRCRAFT COMPANY
MODEL 172 (SERIES 1996 AND ON)
ILLUSTRATED PARTS CATALOG

PART NUMBER	CH SEC SUBJ FIG	ITEM	REQ	PART NUMBER	CH SEC SUBJ FIG	ITEM	REQ
5100-00-3	28-21-00-01	-029C	NP	6238373-4	24-61-00-10	-017	01
5100-00-4	28-21-00-01	-029D	01	6238373-4	24-61-00-11	-016	01
5100-00-4	28-21-00-01	-029E	01	6238373-4	24-61-00-12	-018	01
5119208-2	25-10-00-04	-004	02	6238373-4	24-61-00-13	-019	01
5119208-2	25-10-00-04	-021	01	6238373-42	24-61-00-01	-028	01
5119208-2	25-10-00-05	-083	02	6238373-42	24-61-00-01A	-027	01
512847-401	25-10-03-01A	-015A	02	6241M	32-10-00-01	-036	01
512847-401	25-21-01-01A	-019A	02	6241M	32-20-00-01	-028	01
513104-201	25-10-03-01A	-015C	01	62800-007	23-51-00-01	-001	01
513104-201	25-21-01-01A	-019B	02	6334019-22	55-40-00-01	-035	02
513825-201	25-10-03-01A	-015B	01	6334019-22	55-40-00-01	-035A	02
520	23-51-00-01	-004	NP	6403	76-10-00-01	-001D	01
520X	23-51-00-01	-004A	02	6403	76-10-00-01	-001E	01
5578426	79-30-00-01	-017	01	6404	76-11-00-01	-001F	NP
565-548-041	76-11-00-01	-001	NP	6404	76-11-00-01	-001G	NP
565-548-041	76-11-00-01	-001A	NP	6404-1	76-11-00-01	-001H	01
565-548-071	76-11-00-01	-001B	NP	6404-1	76-11-00-01	-001J	01
565-548-071	76-11-00-01	-001C	NP	6519461-4	33-10-00-01	-002	NP
565-549-021	76-10-00-01	-001	NP	6519461-4	33-10-00-01	-002A	NP
565-549-021	76-10-00-01	-001A	NP	68-2170504-30	33-43-00-01	-003	01
6100192-000	31-10-00-01	-014	01	68-2170504-50	33-43-00-01	-003A	01
6238373-2	24-61-00-02	-085	01	68-2170504-60	33-43-00-01	-003B	01
6238373-2	24-61-00-04	-088	01	68-3970991-30	33-43-00-02	-006	01
6238373-2	24-61-00-05	-015	01	68-4230020-50	33-40-00-02	-007	01
6238373-2	24-61-00-05	-089	01	680501K	73-30-00-01	-016	01
6238373-2	24-61-00-07	-015	01	680501K	73-30-00-01	-017	01
6238373-2	24-61-00-10	-017A	01	6900173	33-10-00-01	-019	NP
6238373-2	24-61-00-11	-016A	01	6900173-000	33-10-00-01	-019A	01
6238373-2	24-61-00-12	-017	01	6Y	11-00-00-01	-050	AR
6238373-2	24-61-00-13	-017	01	7035-1-011-8053	25-10-03-01A	-002	01
6238373-3	24-61-00-01	-030	01	7035-1-011-8053	25-10-03-01A	-002A	01
6238373-3	24-61-00-01	-031	01	7035-1-011-8105	25-10-03-01A	-002B	01
6238373-3	24-61-00-01A	-029	01	7035-1-011-8105	25-10-03-01A	-002C	01
6238373-3	24-61-00-02	-011	01	7035-1-021-8053	25-10-03-01A	-001	01
6238373-3	24-61-00-03	-013	01	7035-1-021-8053	25-10-03-01A	-001A	01
6238373-3	24-61-00-03A	-014	01	7035-1-021-8105	25-10-03-01A	-001B	01
6238373-3	24-61-00-03A	-088	01	7035-1-021-8105	25-10-03-01A	-001C	01
6238373-3	24-61-00-04	-015	01	7035-2-011-2396	25-21-01-01A	-016G	01
6238373-3	24-61-00-04	-089	01	7035-2-011-8053	25-21-01-01A	-001B	01
6238373-3	24-61-00-06	-015	01	7035-2-011-8053	25-21-01-01A	-001C	01
6238373-3	24-61-00-06	-016	01	7035-2-011-8105	25-21-01-01A	-001	01
6238373-3	24-61-00-06	-089	01	7035-2-011-8105	25-21-01-01A	-001A	01
6238373-3	24-61-00-06	-090	01	7035-2-021-2396	25-21-01-01A	-016H	01
6238373-3	24-61-00-08	-015	01	7035-2-021-8053	25-21-01-01A	-002B	01
6238373-3	24-61-00-08	-015A	01	7035-2-021-8053	25-21-01-01A	-002C	01
6238373-3	24-61-00-09	-016	01	7035-2-021-8105	25-21-01-01A	-002	01
6238373-3	24-61-00-09	-016A	01	7035-2-021-8105	25-21-01-01A	-002A	01
6238373-3	24-61-00-13	-018	01	7035-201	25-10-03-01A	-011J	01
6238373-3	24-61-00-14	-015	01	7035-201	25-21-01-01A	-016F	02
6238373-3	24-61-00-14	-016	01	7035-201011-8053	25-21-01-01A	-016E	02
6238373-3	24-61-00-15	-017	01	7035-201011-8096	25-21-01-01A	-016C	01
6238373-3	24-61-00-15	-018	01	7035-201011-8105	25-21-01-01A	-016D	01
6238373-30	24-61-00-01	-029	01	7035-2010118096	25-10-03-01A	-011B	02
6238373-30	24-61-00-01A	-028	01	7035-2010118096	25-10-03-01A	-011C	02
6238373-4	24-61-00-01A	-030	01	7035-2010118105	25-10-03-01A	-011	02
6238373-4	24-61-00-03	-014	01	7035-2010118105	25-10-03-01A	-011A	02
6238373-4	24-61-00-03A	-015	01	7035-201021-8053	25-21-01-01A	-016B	02
6238373-4	24-61-00-03A	-089	01	7035-201021-8096	25-21-01-01A	-016	01
6238373-4	24-61-00-04	-016	01	7035-201021-8105	25-21-01-01A	-016A	01
6238373-4	24-61-00-05	-016	01	7035-2010218096	25-10-03-01A	-011G	01
6238373-4	24-61-00-05	-090	01	7035-2010218096	25-10-03-01A	-011H	01
6238373-4	24-61-00-07	-016	01	7035-2010218105	25-10-03-01A	-011E	01

CESSNA AIRCRAFT COMPANY
MODEL 172 (SERIES 1996 AND ON)
ILLUSTRATED PARTS CATALOG

PART NUMBER	CH	SEC	SUBJ	FIG	ITEM	REQ	PART NUMBER	CH	SEC	SUBJ	FIG	ITEM	REQ
7035-2010218105	25-10-03-01A				-011F	01	953541-10	73-10-00-01				-002	01
7035-2030118053	25-10-03-01A				-012	01	9754008-24	11-N-25-01				-003	01
7035-2030118053	25-10-03-01A				-012A	01	9851066-2	28-21-00-02				-002	01
7035-2030118105	25-10-03-01A				-012B	01	9851094-2	28-21-00-02				-005	01
7035-2030118105	25-10-03-01A				-012C	01	9851095-2	28-21-00-02				-010	01
7035-2040218053	25-10-03-01A				-013	01	9851096-5	28-21-00-02				-001	01
7035-2040218053	25-10-03-01A				-013A	01	9851097-1	28-21-00-02				-013	02
7035-2040218105	25-10-03-01A				-013B	01	9860065-1	52-10-00-01				-096	01
7035-2040218105	25-10-03-01A				-013C	01	9860065-1	52-10-00-02				-096	01
7035-2050218053	25-21-01-01A				-017B	01	9864054-1	27-50-00-02				-001	01
7035-2050218053	25-21-01-01A				-017C	01	9881600-3	32-32-01-01				-003	NP
7035-2050218105	25-21-01-01A				-017	01	9881600-3	32-32-01-01				-003A	NP
7035-2050218105	25-21-01-01A				-017A	01	9882010-4	32-32-01-01				-001	NP
7035-2060218053	25-21-01-01A				-018B	01	9882010-4	32-32-01-01				-001A	NP
7035-2060218053	25-21-01-01A				-018C	01	9882010-7	32-32-01-01				-001B	01
7035-2060218105	25-21-01-01A				-018	01	9882010-7	32-32-01-01				-001C	01
7035-2060218105	25-21-01-01A				-018A	01	9882011-1	32-32-01-01				-002	01
7105P4YZQE	27-10-00-02				-029	01	9882011-1	32-32-01-01				-002A	01
7105P4YZQE	27-10-00-02				-029A	01	9882011-2	32-32-01-01				-002B	01
7105P4YZQE	27-10-00-02				-030	01	9882011-2	32-32-01-01				-002C	01
7105P4YZQE	27-10-00-02				-030A	01	9882012-5	32-32-01-01				-006	01
7300248-1	33-10-00-01				-001	01	9882013-1	32-32-01-01				-007	01
7300248-1	33-10-00-01				-001A	01	9910098-1	33-40-00-02				-099	01
7537	27-10-00-02				-033	02	9910098-1	33-40-00-02				-099A	01
76-207-13	28-22-00-03				-002M	NP	9910098-1	33-40-00-03				-017	01
76-207-13	28-22-00-03				-002N	NP	9910098-2	33-40-00-02				-100	01
76-207-3	28-22-00-03				-002H	NP	9910098-2	33-40-00-02				-100A	01
76-207-3	28-22-00-03				-002J	NP	9910098-2	33-40-00-03				-018	01
77041	79-30-00-01				-015B	NP	9910098-3	33-40-00-02				-101	01
77041	79-30-00-01				-015C	NP	9910098-3	33-40-00-03				-019	01
79125	34-40-01-01				-004	01	9910098-4	33-40-00-02				-102	01
8 HX6-S	28-21-00-01				-028B	01	9910098-4	33-40-00-03				-020	01
8 HX6-S	28-21-00-01				-028C	01	9910100-1	55-10-00-01				-024A	02
81007-1	57-40-00-02				-015	02	9910100-1	55-10-00-01				-024C	02
81007-1	57-40-00-02				-015A	02	9910100-16	33-43-00-02				-010B	01
81008-1	33-40-00-01				-052	NP	9910100-16	33-43-00-02				-010C	01
81008-1	33-40-00-01				-053	NP	9910100-2	55-40-00-01				-025B	01
81009-1	33-40-00-01				-019	NP	9910100-2	55-40-00-01				-025C	01
81009-1	33-40-00-01				-020	NP	9910100-3	55-20-00-01				-077	01
81010-1	33-40-00-01				-054	01	9910100-3	55-20-00-01				-078	NP
81010-1	33-40-00-01A				-016	01	9910100-4	55-20-00-01				-081	01
81011-1	33-40-00-01				-021	01	9910100-4	55-20-00-01				-082	01
81011-1	33-40-00-01A				-007	01	9910100-6	55-40-00-01				-030B	01
830-100	11-10-00-01				-051	AR	9910100-6	55-40-00-01				-030C	01
830-100	11-10-00-01				-099	NP	9910182-3	25-21-00-01				-009	NP
83278	79-30-00-01				-015	01	9910182-3	25-21-00-01				-009A	NP
83278	79-30-00-01				-015A	01	9910182-5	25-10-00-05				-016	02
8406R	79-20-00-01				-001	01	9910182-5	25-21-00-01				-009B	01
85-02357-001	33-10-01-02				-008	01	9910182-5	25-21-00-01				-009C	01
86316	77-20-00-01				-003B	NP	9910336-1	32-30-00-01				-036J	02
86316	77-20-00-01				-003C	NP	9910591-11	24-20-00-01				-001A	01
86317	77-20-00-01				-003	01	9910591-11	24-20-00-01				-001B	01
86317	77-20-00-01				-003A	01	9910591-5	24-20-00-01				-001	NP
8P	11-00-00-01				-009	AR	9910607-3	33-10-02-01				-001	01
92-1049-1	33-10-01-02				-009	01	9910607-3	33-10-02-01				-001A	01
921-047-00	33-40-00-02				-023C	01	9910607-5	33-10-02-01				-001B	01
921-048-02	33-40-00-02				-007A	01	9910607-5	33-10-02-01				-001C	01
921-204-00	33-40-00-02				-086	01	9910607-8	33-10-02-01				-001D	01
921-204-00	33-40-00-03				-082	01	9910607-8	33-10-02-01				-001E	01
9505011-2	11-C-31-01				-001	01	9910609-1	33-10-02-01				-003	NP
9505011-2	11-C-31-01				-002	01	9910609-1	33-10-02-01				-003A	NP
951789	73-10-00-01				-003	01	9910609-2	33-10-02-01				-003B	01

CESSNA AIRCRAFT COMPANY
MODEL 172 (SERIES 1996 AND ON)
ILLUSTRATED PARTS CATALOG

PART NUMBER	CH SEC SUBJ FIG	ITEM	REQ	PART NUMBER	CH SEC SUBJ FIG	ITEM	REQ
9910609-2	33-10-02-01	-003C	01	AA1K9-4-6	37-10-00-05	-019A	01
9910609-4	33-10-02-01	-003D	01	AA1K9-4-6	37-10-00-06	-015B	01
9910609-4	33-10-02-01	-003E	01	AA1K9-4-6	37-10-00-06	-015C	01
9910609-5	33-10-02-01	-003F	01	AA1K9-4-6	37-10-00-07	-003	01
9910609-5	33-10-02-01	-003G	01	AA215CC	37-10-00-01	-019D	NP
9910610-1	33-10-02-01	-005	01	AA215CC	37-10-00-01	-019E	NP
9910610-1	33-10-02-01	-005A	01	AA215CC	37-10-00-03	-019B	NP
9910610-2	33-10-02-01	-005B	01	AA215CC	37-10-00-03	-019C	NP
9910610-2	33-10-02-01	-005C	01	AA216CW	37-10-00-01	-020D	NP
9910610-4	33-10-02-01	-005D	01	AA216CW	37-10-00-01	-020E	NP
9910610-4	33-10-02-01	-005E	01	AA216CW	37-10-00-03	-020B	NP
9910613-1	31-10-00-02	-002	01	AA216CW	37-10-00-03	-020C	NP
9954100-10	78-10-00-01	-001	01	AA2H3-2	37-10-00-07	-010	01
9954100-2	78-10-00-01	-002B	NP	AA2H3-48	37-10-00-04	-039B	01
9954100-2	78-10-00-01	-002C	NP	AA2H3-48	37-10-00-04	-039C	01
9954100-3	78-10-00-01	-003B	01	AA2H3-48	37-10-00-05	-005A	01
9954100-3	78-10-00-01	-003C	01	AA2H3-48	37-10-00-06	-005B	01
9954100-4	78-10-00-01	-004A	01	AA2H3-48	37-10-00-06	-005C	01
9954100-4	78-10-00-01	-004B	01	AA3215CC	37-10-00-01	-019F	01
9954100-5	78-10-00-01	-005A	01	AA3215CC	37-10-00-01	-019G	01
9954100-5	78-10-00-01	-005B	01	AA3215CC	37-10-00-03	-019D	01
9954100-6	78-10-00-01	-006A	01	AA3215CC	37-10-00-03	-019E	01
9954100-6	78-10-00-01	-006B	01	AA3215CC	37-10-00-07	-036	NP
9954100-7	78-10-00-01	-007A	01	AA3215CC	37-10-00-07	-036A	NP
9954100-7	78-10-00-01	-007B	01	AA3216CW	37-10-00-01	-020F	01
9954100-8	78-10-00-01	-008	01	AA3216CW	37-10-00-01	-020G	01
9954100-9	78-10-00-01	-002D	01	AA3216CW	37-10-00-03	-020D	01
9954100-9	78-10-00-01	-002E	01	AA3216CW	37-10-00-03	-020E	01
9A	11-00-00-01	-025	AR	AA3225CC	37-10-00-01	-019H	01
9K	11-00-00-01	-052	AR	AA3225CC	37-10-00-01	-019J	01
9M	11-00-00-01	-075	AR	AA3225CC	37-10-00-03	-019F	01
A-7512-24	33-40-00-02	-021B	01	AA3225CC	37-10-00-03	-019G	01
A-A-59178-1	33-11-01-01	-004	AR	AA3225CC	37-10-00-07	-036B	01
A1257A	33-40-00-02	-023B	01	AA3225CC	37-10-00-07	-036C	01
A1280-2	33-40-00-02	-006	01	AA3226CW	37-10-00-01	-020H	01
A1638-2	61-10-00-01	-004	06	AA3226CW	37-10-00-01	-020J	01
A2109-3	33-40-00-02	-082	01	AA3226CW	37-10-00-03	-020F	01
A2109-3	33-40-00-03	-078	01	AA3226CW	37-10-00-03	-020G	01
A2513-92	61-10-00-01	-003	06	AC2101	24-60-00-01	-005	01
A2973-6	61-10-00-01	-011	02	AE3663161G0164	28-21-00-01	-037	01
A3770	74-00-00-01	-005	01	AE3663161H0140	79-20-00-01	-011A	01
A427-3	33-40-00-02	-013	01	AE3663161H0144	79-20-00-01	-011	01
A427-3	33-40-00-02	-013A	01	AE3663161H0184	79-20-00-01	-011D	01
A4513-1	33-40-00-02	-083	01	AE3663161H0184	79-20-00-01	-011E	01
A4513-1	33-40-00-03	-079	01	AE3663161H0184	79-20-00-01	-012	01
A6	11-00-00-01	-109	AR	AE3663163E0240	28-21-00-01	-105	01
A7	11-00-00-01	-094	AR	AE3663163E0240	28-21-00-01	-105A	01
A840018	33-10-00-01	-009	AR	AE6695H0180-180	79-20-00-01	-011B	01
A840018	33-10-00-01	-009A	AR	AE6695H0180-180	79-20-00-01	-011C	01
A9C	11-00-00-01	-008	AR	AF3500	11-00-00-02	-006	AR
AA1H5-25A	37-10-00-01	-001B	01	AF3502	11-00-00-02	-005	AR
AA1H5-25A	37-10-00-01	-001C	01	AN155-32S	27-10-00-03	-009	03
AA1H5-25A	37-10-00-02	-001A	01	AN155B16S	27-50-00-01	-079	01
AA1H5-25A	37-10-00-03	-001B	01	AN155B32S	27-10-00-03	-002	02
AA1H5-25A	37-10-00-03	-001C	01	AN21-10	27-10-00-01	-077	02
AA1K10-4-8	37-10-00-07	-009	01	AN21-10	27-10-00-01	-085	01
AA1K30-10-6-6	37-10-00-04	-036B	01	AN23-10	27-20-00-01	-003	01
AA1K30-10-6-6	37-10-00-04	-036C	01	AN23-10	27-20-00-01	-013	01
AA1K30-6-6-4	37-10-00-04	-025B	01	AN23-10	27-30-00-01	-010	02
AA1K30-6-6-4	37-10-00-04	-025C	01	AN23-11	32-20-02-01	-006	01
AA1K9-4-6	37-10-00-04	-013B	01	AN23-12	27-30-00-01	-015	02
AA1K9-4-6	37-10-00-04	-013C	01	AN23-17	32-20-02-01	-002	01

CESSNA AIRCRAFT COMPANY
MODEL 172 (SERIES 1996 AND ON)
 ILLUSTRATED PARTS CATALOG

PART NUMBER	CH	SEC	SUBJ	FIG	ITEM	REQ	PART NUMBER	CH	SEC	SUBJ	FIG	ITEM	REQ
AN24-12	27	20	00	01	-008	01	AN3-23A	25	21	01	01A	-022A	04
AN3-10	76	10	00	01	-004	01	AN3-25A	55	40	00	01	-036	01
AN3-10	76	11	00	01	-012	01	AN3-34A	37	10	00	04	-034	01
AN3-10A	22	10	00	01	-159	01	AN3-34A	37	10	00	05	-034	01
AN3-10A	22	10	00	01	-175	01	AN3-34A	37	10	00	06	-027	01
AN3-10A	22	10	00	03	-016	01	AN3-34A	37	10	00	07	-005	01
AN3-10A	25	10	00	05	-102	04	AN3-3A	22	10	00	02	-004	04
AN3-10A	27	10	00	01	-022	01	AN3-3A	22	10	00	02A	-022	04
AN3-10A	27	10	00	01	-112	01	AN3-3A	27	10	00	01	-100	01
AN3-10A	27	10	00	03	-184	01	AN3-3A	27	50	00	01	-019	02
AN3-10A	27	21	00	01	-032	01	AN3-3A	27	50	00	02	-015	01
AN3-10A	27	21	00	01	-093	01	AN3-3A	28	21	00	01	-026	01
AN3-10A	27	30	01	01	-013	01	AN3-3A	32	20	01	01	-045	02
AN3-10A	27	30	01	01	-017	01	AN3-3A	32	20	01	01A	-092	02
AN3-10A	27	50	00	02	-087	01	AN3-3A	32	32	00	02	-009	01
AN3-10A	32	20	00	01	-012	01	AN3-3A	53	10	02	01	-009	02
AN3-10A	53	10	00	01	-116	04	AN3-3A	57	50	00	01	-020	02
AN3-10A	57	50	00	01	-003A	02	AN3-4	32	11	00	01	-013	01
AN3-11A	25	21	00	01	-230	02	AN3-40A	79	20	00	01	-002A	06
AN3-11A	27	10	00	01	-020	01	AN3-40A	79	20	00	01	-002B	06
AN3-11A	27	10	00	01	-034	01	AN3-42A	79	20	00	01	-002	04
AN3-11A	27	50	00	01	-012	01	AN3-4A	22	10	00	02	-005	02
AN3-11A	27	50	00	01	-024	01	AN3-4A	22	10	00	02A	-003	02
AN3-11A	32	32	00	02	-006	01	AN3-4A	22	10	00	03	-009	06
AN3-11A	53	10	00	02	-151	02	AN3-4A	22	10	00	03	-012	02
AN3-11A	53	10	00	03	-009	04	AN3-4A	24	34	00	02	-007	03
AN3-11A	57	50	00	01	-003	02	AN3-4A	25	21	01	01	-013	02
AN3-12A	22	10	00	03	-016A	01	AN3-4A	27	10	00	01	-100A	01
AN3-12A	25	21	01	01	-014	01	AN3-4A	28	21	00	01	-093	02
AN3-12A	25	21	01	01	-014A	01	AN3-4A	53	00	00	01	-008	02
AN3-12A	27	10	00	01	-028	01	AN3-4A	53	10	00	02	-186	01
AN3-12A	27	10	00	02	-081	02	AN3-4A	53	10	02	01	-003	06
AN3-12A	27	10	00	02	-081A	02	AN3-4A	53	20	00	01	-160	02
AN3-12A	27	21	00	01	-009	01	AN3-4A	53	20	00	01	-160A	02
AN3-12A	27	21	00	01	-088	01	AN3-4A	71	11	00	01	-005	01
AN3-12A	27	50	00	01	-087	01	AN3-4A	71	11	00	01	-008	02
AN3-13A	25	21	01	01	-015	01	AN3-5	27	30	01	01	-085	01
AN3-13A	25	21	01	01	-015A	01	AN3-5A	22	10	00	01	-076	02
AN3-13A	27	10	00	01	-025	01	AN3-5A	22	10	00	01	-151	01
AN3-13A	32	32	00	02	-038	01	AN3-5A	22	10	00	01	-226	02
AN3-14A	27	10	00	02	-003	02	AN3-5A	22	10	00	03	-020	06
AN3-15	25	21	00	01	-156	02	AN3-5A	25	10	03	01	-013	04
AN3-15	25	21	00	01	-156A	02	AN3-5A	25	10	03	01A	-008	04
AN3-15A	27	10	00	02	-004	02	AN3-5A	25	21	00	01	-001	10
AN3-15A	27	10	00	02	-018	01	AN3-5A	32	32	00	02	-042	01
AN3-15A	27	10	00	02	-022	01	AN3-5A	52	30	00	01	-006	02
AN3-15A	27	10	00	02A	-025	01	AN3-5A	53	10	00	01	-104	08
AN3-15A	27	10	00	02A	-031	01	AN3-5A	53	10	00	02	-022	02
AN3-15A	27	10	00	02A	-034	02	AN3-5A	76	10	00	01	-011	02
AN3-16A	27	10	00	02A	-037	02	AN3-5A	76	10	00	01	-018	02
AN3-16A	27	21	00	01	-020	02	AN3-5A	76	11	00	01	-003	02
AN3-20A	53	11	00	01	-006	04	AN3-6	55	20	00	01	-006	02
AN3-20A	53	11	00	02	-009	06	AN3-6A	22	10	00	01	-079	02
AN3-20A	53	11	00	02	-014	02	AN3-6A	22	10	00	01	-155	01
AN3-22A	25	21	01	01A	-022B	04	AN3-6A	22	10	00	01	-229	02
AN3-22A	25	21	01	01A	-022C	04	AN3-6A	27	30	01	01	-099	01
AN3-22A	27	10	00	03	-086	01	AN3-6A	27	50	00	01	-010	01
AN3-22A	27	10	00	03	-090	01	AN3-6A	27	50	00	01	-023	01
AN3-22A	27	10	00	03	-097	01	AN3-6A	27	50	00	02	-020	01
AN3-22A	53	11	00	01	-003	04	AN3-6A	32	32	00	02	-017	01
AN3-23A	25	10	03	01A	-020	04	AN3-6A	32	32	00	02	-021	01
AN3-23A	25	21	01	01A	-022	04	AN3-6A	32	32	00	02	-030	01

CESSNA AIRCRAFT COMPANY
MODEL 172 (SERIES 1996 AND ON)
 ILLUSTRATED PARTS CATALOG

PART NUMBER	CH SEC SUBJ FIG	ITEM	REQ	PART NUMBER	CH SEC SUBJ FIG	ITEM	REQ
AN3-7	27-10-00-03	-154	02	AN4-12A	25-10-00-02	-022	01
AN3-7A	22-10-00-01	-172	01	AN4-12A	25-10-00-05	-092	01
AN3-7A	27-10-00-03	-162	04	AN4-13A	25-10-00-02	-021	01
AN3-7A	27-10-00-03	-170	04	AN4-13A	25-10-00-05	-005	01
AN3-7A	27-10-00-03	-187	01	AN4-13A	25-10-00-05	-077	01
AN3-7A	27-50-00-01	-081	01	AN4-13A	25-21-01-01A	-010	01
AN3-7A	34-11-00-01	-095	01	AN4-14A	25-10-00-02	-006	01
AN310-3	27-20-00-01	-004	01	AN4-14A	25-10-00-03	-023B	01
AN310-3	27-30-01-01	-087	01	AN4-14A	25-10-00-03	-023C	01
AN310-3	32-20-01-01	-038	01	AN4-14A	25-10-00-03	-026	01
AN310-3	32-20-01-01A	-083	01	AN4-14A	25-10-00-03	-026A	01
AN310-3	76-10-00-01	-008	01	AN4-14A	25-10-00-05	-008	01
AN310-3	76-11-00-01	-016	01	AN4-14A	25-10-03-01	-003	01
AN310-4	32-20-01-01	-032	01	AN4-14A	25-10-03-01	-003A	01
AN310-4	32-20-01-01	-049	01	AN4-14A	25-10-03-01	-012	01
AN310-4	32-20-01-01A	-077	01	AN4-14A	25-10-03-01	-012A	01
AN310-4	32-20-01-01A	-096	01	AN4-14A	27-10-00-03	-018	01
AN310-4	32-21-00-01	-021	01	AN4-14A	27-20-00-01	-027	01
AN310-5	32-20-00-01	-019	01	AN4-14A	27-30-00-01	-025	01
AN310-5	32-21-00-01	-008	02	AN4-14A	55-20-00-01	-002	01
AN315-3R	25-10-03-01A	-030	02	AN4-15	25-10-00-03	-023	01
AN315-3R	25-21-01-01A	-026	02	AN4-15	25-10-00-03	-023A	01
AN315-3R	27-20-00-01	-017	02	AN4-15A	25-10-00-02	-095	02
AN315-3R	27-30-00-01	-035	02	AN4-15A	25-10-00-03	-109	02
AN315-3R	76-10-00-01	-003	01	AN4-15A	25-21-01-01	-017	01
AN315-4R	27-20-00-01	-007	01	AN4-15A	27-10-00-03	-032	01
AN315C3R	27-10-00-02	-038	01	AN4-15A	27-10-00-03	-036	01
AN315C3R	27-10-00-02A	-004	01	AN4-15A	27-50-00-01	-043	01
AN316-4R	27-10-00-03	-189	02	AN4-16	25-21-00-01	-226	01
AN316-4R	27-21-00-01	-016	01	AN4-16A	25-10-00-03	-037	01
AN316-4R	27-50-00-01	-017	02	AN4-16A	25-10-00-03	-043	01
AN316-6R	32-20-00-01	-015	02	AN4-16A	25-10-03-01	-003B	01
AN316-6R	32-50-00-01	-005	01	AN4-16A	25-10-03-01	-003C	01
AN316-7R	34-11-00-01	-093	01	AN4-16A	25-10-03-01	-003D	02
AN320-1	27-10-00-01	-079	02	AN4-16A	25-10-03-01	-011	01
AN320-1	27-10-00-01	-087	01	AN4-16A	25-10-03-01	-011A	01
AN320-3	32-20-02-01	-003	02	AN4-17	25-10-00-04	-003	02
AN320-4	25-10-00-04	-007	02	AN4-17	25-10-00-04	-015	02
AN320-4	25-10-00-04	-017	02	AN4-17	25-10-00-05	-082	04
AN320-4	25-10-00-05	-085	04	AN4-17A	25-10-03-01A	-003	02
AN365-428	32-30-00-01	-017	03	AN4-21A	27-10-00-03	-014	01
AN3C3	71-20-00-01	-026	01	AN4-21A	27-10-00-03	-027	01
AN3C3	71-20-00-02	-022	01	AN4-22A	32-31-00-01	-010	03
AN3C3	71-20-00-03	-022	01	AN4-23A	25-21-01-01	-003	01
AN3C3	71-20-00-03	-022A	01	AN4-23A	25-21-01-01	-003A	01
AN3CH5A	24-60-00-01	-002	04	AN4-24A	25-21-01-01	-003B	01
AN4-10	22-10-00-01	-241	01	AN4-24A	25-21-01-01	-003C	01
AN4-10A	22-10-00-02	-016	01	AN4-24A	25-21-01-01A	-003	01
AN4-10A	27-10-00-01	-003	01	AN4-30A	27-10-00-01	-014	02
AN4-10A	27-10-00-03	-022	01	AN4-31	32-20-01-01	-031	01
AN4-10A	27-10-00-03	-078	01	AN4-31	32-20-01-01	-048	01
AN4-10A	27-20-00-01	-019	01	AN4-31	32-20-01-01A	-076	01
AN4-10A	27-20-00-01	-023	01	AN4-31	32-20-01-01A	-095	01
AN4-10A	27-30-00-01	-006	02	AN4-31	32-21-00-01	-020	01
AN4-10A	27-30-00-01	-021	01	AN4-32A	27-10-00-01	-002	01
AN4-11	27-10-00-01	-107	01	AN4-36A	32-30-00-01	-015	03
AN4-11	27-10-00-01	-107A	01	AN4-42A	27-10-00-03	-191	02
AN4-11A	27-10-00-01	-094	01	AN4-4A	25-10-00-03	-035	02
AN4-11A	27-30-00-01	-002	01	AN4-4A	71-20-00-01	-031	01
AN4-11A	55-20-00-01	-012	04	AN4-4A	71-20-00-02	-027	01
AN4-11A	55-40-00-01	-002	03	AN4-4A	71-20-00-03	-028	01
AN4-12A	25-10-00-02	-005	01	AN4-57A	27-50-00-01	-028	01

CESSNA AIRCRAFT COMPANY
MODEL 172 (SERIES 1996 AND ON)
ILLUSTRATED PARTS CATALOG

PART NUMBER	CH	SEC	SUBJ	FIG	ITEM	REQ	PART NUMBER	CH	SEC	SUBJ	FIG	ITEM	REQ
AN4-5A	25-21-00-01				-176	01	AN525-10R11	57-10-00-01				-012	01
AN4-60A	27-50-00-01				-003	01	AN525-10R12	25-20-10-01				-021	02
AN4-6A	25-21-01-01A				-012	01	AN525-10R12	25-20-10-02				-053	02
AN4-7A	25-10-00-02				-104	04	AN525-10R12	25-20-10-03				-090	12
AN4-7A	25-10-00-03				-082	04	AN525-10R12	32-11-00-01				-020	05
AN4-7A	25-10-00-03				-082A	04	AN525-10R14	25-11-00-01				-002	02
AN4-7A	25-10-00-05				-106	01	AN525-10R14	25-11-00-01				-002A	02
AN4-7A	25-10-03-01				-019	04	AN525-10R6	22-10-00-01				-087	14
AN4-7A	25-10-03-01A				-036	04	AN525-10R6	23-60-00-01				-010	01
AN4-7A	25-21-01-01				-011	01	AN525-10R6	23-60-00-01				-010A	01
AN4-7A	55-20-00-01				-013	04	AN525-10R6	53-20-00-01				-231	03
AN4076-1	77-20-00-01				-009	04	AN525-10R6	53-20-01-01				-011	04
AN5-10A	32-20-00-01				-005	02	AN525-10R6	57-10-00-01				-013	01
AN5-10A	55-30-00-01				-002	02	AN525-10R6	71-11-00-01				-109	01
AN5-11A	27-30-00-01				-029	01	AN525-10R6	71-11-00-01				-117	05
AN5-13A	32-10-00-01				-028	04	AN525-10R6	71-11-00-01				-151	02
AN5-14A	32-10-00-01				-029	04	AN525-10R6	73-30-00-01				-022	04
AN5-23A	55-10-00-01				-010	02	AN525-10R7	28-10-01-01				-010	12
AN5-31A	32-20-00-01				-002	01	AN525-10R7	28-10-01-01				-010A	12
AN5-47	32-20-00-01				-018	01	AN525-10R7	28-10-01-01				-012	04
AN5-47A	32-20-01-01				-004	01	AN525-10R7	33-10-01-01				-036	04
AN5-47A	32-20-01-01A				-004	01	AN525-10R7	53-20-01-01				-020B	26
AN5-4A	24-60-00-01				-021	01	AN525-10R7	53-20-01-01				-020C	26
AN5-51A	32-21-00-01				-002	01	AN525-10R7	55-40-00-01				-032	04
AN5-6A	55-10-00-01				-002	02	AN525-10R7	57-10-02-01				-004	16
AN5-6A	55-30-00-01				-006	02	AN525-10R7	57-10-02-01				-119	42
AN5-6A	57-10-01-01				-008	03	AN525-10R7	71-20-00-03				-023	01
AN500-416-10	71-11-00-01				-002	01	AN525-10R7	71-20-00-03				-023A	01
AN500-416-10	71-11-00-01				-076	02	AN525-10R8	52-10-00-02				-002	06
AN500-416-10	71-11-00-01				-088	02	AN525-10R8	53-11-00-02				-032	04
AN500-416-10	71-11-00-01				-097	02	AN525-10R8	53-11-00-02				-034	04
AN500-416-10	71-11-00-01				-106	02	AN525-10R8	53-11-00-02				-038	04
AN500-416-10	71-11-00-01				-157	02	AN525-10R8	53-20-01-01				-020	20
AN503-10-8	28-21-00-01				-002	04	AN525-10R8	53-20-01-01				-020A	20
AN503-8-6	28-21-00-01				-019	01	AN525-10R8	56-30-00-01				-078	01
AN507-1032R10	32-10-00-01				-019	01	AN525-832R10	25-70-00-01				-003	05
AN507-832R7	56-30-00-01				-088	03	AN525-832R10	25-70-00-01				-003A	05
AN515-10R10	27-21-00-01				-102	03	AN525-832R10	53-10-00-01				-024	04
AN515-10R14	27-21-00-01				-103	01	AN525-832R10	71-10-00-01				-025A	04
AN515-10R6	27-21-00-01				-099	04	AN525-832R10	71-10-00-01				-025B	04
AN515-4-9	27-50-00-01				-039	02	AN525-832R10	71-10-00-01				-078A	04
AN515-6R4	21-40-00-01				-030	NP	AN525-832R10	71-10-00-01				-078B	04
AN515-6R6	32-11-00-01				-012	03	AN525-832R10	71-10-00-02				-013	04
AN515-6R8	34-11-00-01				-051	01	AN525-832R10	71-10-00-02				-077	04
AN515-8R26	09-10-00-01				-006	01	AN525-832R22	21-21-00-02				-007	04
AN515-8R6	25-11-00-01				-003	09	AN525-832R6	21-21-00-02				-012	02
AN515-8R6	52-30-00-01				-017	02	AN525-832R6	27-30-01-01				-006A	04
AN515-8R6	52-30-00-01				-027	02	AN525-832R6	28-21-00-01				-088	01
AN515-8R7	21-20-00-01				-084	01	AN525-832R6	52-10-00-01				-078	02
AN515-8R7	21-20-00-01				-084A	01	AN525-832R6	52-10-00-01				-080	06
AN520-10R12	32-11-00-01				-034	03	AN525-832R6	52-10-00-01				-087	04
AN520-10R18	33-40-00-01				-022	06	AN525-832R6	52-10-00-01				-103	01
AN520-10R18	33-40-00-01				-055	06	AN525-832R6	52-10-00-02				-078	02
AN520-10R18	33-40-00-01A				-026	06	AN525-832R6	52-10-00-02				-080	06
AN520-10R6	27-50-00-01				-096	02	AN525-832R6	52-10-00-02				-087	04
AN520-10R6	27-50-00-02				-009	01	AN525-832R6	52-10-00-02				-103	01
AN520-10R6	53-20-01-01				-002	04	AN525-832R6	71-11-00-01				-079	05
AN525-10R10	32-11-00-01				-040	07	AN525-832R6	71-11-00-01				-100	05
AN525-10R10	32-11-00-01				-048	06	AN525-832R6	71-11-00-01				-116	01
AN525-10R10	52-10-00-01				-002	06	AN525-832R7	22-10-00-01				-248	19
AN525-10R10	52-10-00-01				-002A	06	AN525-832R7	24-61-00-01				-040	01
AN525-10R10	56-20-00-01				-010	05	AN525-832R7	24-61-00-01				-042	04

CESSNA AIRCRAFT COMPANY
MODEL 172 (SERIES 1996 AND ON)
 ILLUSTRATED PARTS CATALOG

PART NUMBER	CH SEC SUBJ FIG	ITEM	REQ	PART NUMBER	CH SEC SUBJ FIG	ITEM	REQ
AN525-832R7	34-40-00-01	-001	08	AN837-3D	32-32-00-01	-025	01
AN525-832R7	34-40-00-01	-001A	08	AN837-6D	28-21-00-01	-253	01
AN525-832R7	53-00-00-01	-023	60	AN842-4D	71-70-00-01	-022	01
AN525-832R7	61-10-00-01	-006	14	AN911-1D	34-11-00-01	-084	01
AN525-832R8	52-10-00-01	-076	04	AN916-1D	34-11-00-01	-083	01
AN525-832R8	52-10-00-02	-076	04	AN916-1D	37-10-00-07	-029	01
AN525-832R8	52-30-00-01	-015	01	AN921-3D	32-32-00-01	-004	01
AN525-832R8	53-10-00-02	-005	10	AN924-3	79-30-00-01	-003	01
AN525-832R8	57-10-00-01	-098	12	AN924-6D	28-21-00-01	-155	01
AN525-832R8	71-10-00-01	-076	10	AN924-6D	28-21-00-01	-255	01
AN525-832R9	53-10-00-01	-025	03	AN924-6D	57-10-02-01	-167	01
AN535-2-3	53-00-00-01	-016	02	AN931-3-5	55-40-00-01	-021	05
AN565B2H3	27-10-00-02A	-019	01	AN936A616	33-10-00-02	-004	01
AN565B2H3	33-10-00-02	-007	01	AN936A616	33-10-00-02	-004A	01
AN565B2H3	33-11-01-02	-007	01	AN960-10	53-11-00-01	-004	04
AN565B2H3	33-11-01-03	-007	02	AN960-10	53-11-00-01	-007	04
AN565B2H3	33-13-00-01	-077	01	AN960-416L	32-30-00-01	-028	02
AN565B428H3	27-50-00-01	-046	01	AN960-416L	32-30-00-01	-031	02
AN565D2H3	27-10-00-02	-032	02	AN960-4L	52-10-02-01	-012	NP
AN565D4H3	27-10-00-02A	-012	01	AN960-4L	52-10-02-01	-012A	NP
AN565D6H3	32-32-01-01	-010	01	AN970-3	27-10-00-01	-040	AR
AN565D6H3	32-32-01-01	-010A	01	AN970-3	27-30-00-01	-036	01
AN6-15A	25-21-00-01	-156B	02	AN970-3	52-30-00-01	-007	02
AN6-15A	25-21-00-01	-156C	02	AN970-3	53-10-02-01	-006	01
AN6-15A	27-50-00-01	-033	01	AN970-3	55-40-00-01	-038	01
AN6-23A	71-20-00-01	-002	02	AN970-3	71-11-00-01	-118	04
AN6-23A	71-20-00-02	-002	02	AN970-4	25-21-01-01	-005	02
AN6-23A	71-20-00-03	-002	02	AN970-4	25-21-01-01	-005A	02
AN6-27A	71-20-00-01	-003	02	AP	11-00-00-01	-086	AR
AN6-27A	71-20-00-02	-003	02	AS15002-1-C	32-20-01-01	-042A	02
AN6-27A	71-20-00-03	-003	02	AS15002-1-C	32-20-01-01A	-034A	01
AN6-6A	32-11-00-01	-024	02	AS15002-1-C	32-20-01-01A	-088	02
AN6227-5	27-30-01-02	-014	01	AS15002-1-C	32-20-01-01A	-103	01
AN665-34R	27-20-00-01	-006	01	AS15002-3-C	32-20-01-01	-055A	01
AN7-24A	57-00-00-01	-007A	01	AS210PB	52-30-00-01	-029	01
AN7-43A	24-20-00-01	-003	01	AS5174D0303	32-32-00-01	-018	01
AN7-44A	71-20-00-01	-014	02	AS5174D0303	32-32-00-01	-023	01
AN7-44A	71-20-00-02	-010	02	AS5174D0303	32-32-00-01	-041	01
AN7-44A	71-20-00-03	-010	02	AS5174D0606	28-21-00-01	-162	02
AN7-45A	71-20-00-01	-013	02	AS5174D0606	28-21-00-01	-178	01
AN7-45A	71-20-00-02	-009	02	AS5174D0606	28-21-00-01	-226	01
AN7-45A	71-20-00-03	-009	02	AS5174D0606	28-21-00-01	-240	01
AN735-8	32-32-00-02	-015	01	AS5174D0606	28-21-00-01	-257	01
AN742D4	34-11-00-01	-050	02	AS5174D0808	28-21-00-01	-107	01
AN742D4	34-11-00-01	-050A	02	AS5176-03	73-30-00-01	-008A	02
AN742D5	34-11-00-01	-081E	01	AS5178-03	73-30-00-01	-003	01
AN742D5	34-11-00-01	-081F	01	AS5178-04	28-21-00-01	-099	01
AN742D5	34-11-00-02	-006	01	AS5178-04	28-21-00-01	-099A	01
AN818-3D	32-32-00-01	-038	02	AS5178-08	28-21-00-01	-007	01
AN818-3J	73-30-00-01	-007	02	AS5178-10	37-10-00-04	-041	01
AN824-6D	28-21-00-01	-151	01	AS5178-10	37-10-00-05	-007	01
AN824-6D	28-21-00-01	-245	01	AS5178-10	37-10-00-06	-006	01
AN832-3	73-30-00-01	-005	01	AS5178W03	32-32-00-01	-006	01
AN832-3	79-30-00-01	-005	01	AS5178W03	32-32-00-01	-012	02
AN832-3D	32-32-00-01	-033	01	AS5178W03	32-32-00-01	-026	01
AN832-4	28-21-00-01	-098	01	AS5178W03	32-32-00-01	-034	01
AN832-4	28-21-00-01	-098A	01	AS5178W03	27-50-00-02	-003	04
AN832-6D	28-21-00-01	-153	01	AS5194-0806	79-20-00-01	-010	01
AN833-3D	32-32-00-01	-010	01	AS5194-0806	79-20-00-01	-010A	01
AN833-4	28-21-00-01	-098B	01	AS5194D0302	22-10-00-01	-016	01
AN833-4	28-21-00-01	-098C	01	AS5194D0302	22-10-00-01	-016A	01
AN837-3D	32-32-00-01	-009	01	ASC206-2	52-10-00-01	-025	01

CESSNA AIRCRAFT COMPANY
MODEL 172 (SERIES 1996 AND ON)
ILLUSTRATED PARTS CATALOG

PART NUMBER	CH	SEC	SUBJ	FIG	ITEM	REQ	PART NUMBER	CH	SEC	SUBJ	FIG	ITEM	REQ
ASC206-2	52	30	00	01	-010B	01	C262003-0204	32	30	00	01	-036D	02
ASL210C	52	10	00	01	-039	01	C262003-0219	32	30	00	01	-036H	02
AT432000	31	20	01	01	-001	01	C262023-0101	32	31	00	01	-014	01
AT432000	31	20	01	01	-001A	01	C262023-0102	32	30	00	01	-037	02
ATM-25	24	34	00	02	-003	01	C262023-0218	32	31	00	01	-015	01
AV255302-1	21	20	00	01	-004D	NP	C292501-0107	74	00	00	01	-004	01
AV255302-1	21	20	00	01	-004E	NP	C292501-0109	74	00	00	01	-001	01
AV264301-1	21	20	00	01	-016B	NP	C294502-0201	37	10	00	04	-033	01
AV264301-1	21	20	00	01	-016C	NP	C294502-0201	37	10	00	05	-033	01
AV356201-1	21	20	00	01	-094	NP	C294502-0201	37	10	00	06	-028	01
AV356201-1	21	20	00	01	-094A	NP	C294502-0201	37	10	00	07	-006	01
AV4033-1	21	20	00	01	-095	02	C299501-0101	71	20	00	01	-009	NP
AV4033-1	21	20	00	01	-095A	02	C299501-0106	71	20	00	01	-010	NP
AV4080-1	21	20	00	01	-004F	NP	C301001-0211	27	50	00	01	-041	01
AV4080-1	21	20	00	01	-004G	NP	C301002-0104	27	50	00	01	-036C	NP
AV4080-2	21	20	00	01	-004H	NP	C301002-0110	27	50	00	01	-036	NP
AV4080-2	21	20	00	01	-004J	NP	C301002-0113	27	50	00	01	-037	01
AV4080-3	21	20	00	01	-004K	02	C301002-0121	27	50	00	01	-036D	01
AV4080-3	21	20	00	01	-004L	02	C301002-0122	27	50	00	01	-036A	01
AV4081-1	21	20	00	01	-016D	NP	C301002-0122	27	50	00	01	-036B	01
AV4081-1	21	20	00	01	-016E	NP	C307PRF-11	31	20	01	01	-004	01
AV4081-2	21	20	00	01	-004A	NP	C352TS	26	10	00	01	-001B	01
AV4081-2	21	20	00	01	-016F	NP	C421001-0201	26	10	00	01	-001	01
AV4081-2	21	20	00	01	-016G	NP	C421001-0201	26	10	00	01	-001A	01
AV4081-3	21	20	00	01	-016H	02	C592001-0201	23	60	00	01	-001	10
AV4081-3	21	20	00	01	-016J	02	C592001-0201	23	60	00	01	-001A	10
AVT-200413	24	34	00	02	-001	01	C592001-0203	23	60	00	01	-001B	10
AVT-200413	24	34	00	02	-001A	01	C592001-0203	23	60	00	01	-001C	10
B	11	00	00	01	-022	AR	C592001-0204	23	60	00	01	-001E	01
B100142-1	28	10	01	01	-003	01	C592001-0205	23	60	00	01	-001D	01
B100143-1	28	10	01	01	-002	01	C596504-0101	23	30	00	01	-004	NP
B100148	28	10	01	01	-019	02	C598504-0201	34	50	00	01	-075	01
B100148	28	10	01	01	-022	02	C6	11	00	00	01	-007	AR
B100148	28	10	01	01	-022A	02	C614002-0101	24	34	00	01	-001	01
B24809	34	51	00	01	-013	01	C614002-0101	24	34	00	01	-001A	01
B3-5-1	37	10	00	04	-039D	01	C614002-0102	24	34	00	01	-001D	01
B3-5-1	37	10	00	04	-039E	01	C622001-0102	33	40	00	02	-078	01
B3-5-1	37	10	00	04	-042	01	C622001-0102	33	40	00	02	-078A	01
B3-5-1	37	10	00	05	-008	01	C622001-0104	33	40	00	02	-084	01
B3-5-1	37	10	00	06	-005D	01	C622001-0104	33	40	00	03	-080	01
B3-5-1	37	10	00	07	-010A	01	C622001-0201	33	40	00	02	-022	01
B610	27	50	00	01	-031	02	C622001-0201	33	40	00	02	-022A	01
C	11	00	00	01	-018	AR	C622003-0101	33	40	00	02	-010	01
C-7726	61	10	00	01	-002	01	C622003-0101	33	40	00	02	-010A	01
C01591-014-27	33	40	00	01	-027A	NP	C622003-0104	33	40	00	02	-012	01
C100085-3	28	10	01	01	-011B	01	C622003-0104	33	40	00	02	-012A	01
C109	32	50	00	01	-011	NP	C660501-0103	34	21	00	01	-004	01
C109	32	50	00	01	-011A	NP	C664503-0103	31	30	00	01	-001	01
C12003-012-4	33	40	00	01A	-020	04	C7358-014	33	40	00	01	-026	NP
C1248-6	23	10	00	01	-001B	02	C7358-014	33	40	00	01A	-018	04
C1248-6	23	10	00	01	-001C	02	C7358-014-27	33	40	00	01	-027	04
C156001-0104	28	10	01	01	-011	NP	C7358-014-27	33	40	00	01A	-019	04
C156001-0104	28	10	01	01	-011A	NP	CA3559	71	60	00	01	-017B	01
C156003-0101	28	10	01	01	-001	01	CB4019G3N	53	10	00	02	-201	01
C163001-0104	32	30	00	01	-001	02	CB4019G3N	53	10	00	02	-201A	01
C165031-0101	25	10	00	02	-004	01	CB4021G3N8	34	40	01	01	-001	01
C165031-0101	25	10	00	02	-004A	01	CB4021G3N8	34	40	01	01	-001A	01
C253001-0101	52	30	00	01	-010	01	CC	11	00	00	01	-021	AR
C253001-0102	52	10	00	01	-023	01	CC006	56	30	00	01	-091	NP
C253001-0102	74	00	00	01	-003	01	CC006	56	30	00	01	-091A	NP
C262003-0101	32	30	00	01	-036	02	CC007	56	30	00	01	-091B	NP
C262003-0202	32	31	00	01	-013	01	CC007	56	30	00	01	-091C	NP

CESSNA AIRCRAFT COMPANY
MODEL 172 (SERIES 1996 AND ON)
 ILLUSTRATED PARTS CATALOG

PART NUMBER	CH SEC SUBJ FIG	ITEM	REQ	PART NUMBER	CH SEC SUBJ FIG	ITEM	REQ
CF	11-00-00-01	-019	AR	CJ1043-1	52-10-00-01	-029E	01
CH48110	71-00-01-01	-003	01	CJ1082	27-10-00-02A	-014B	01
CI-128A	23-10-00-01	-001	02	CJ1089-01	25-23-00-02	-016A	01
CI-128A	23-10-00-01	-001A	02	CJ1089-01	25-23-00-03	-011	01
CI102	23-50-00-01	-005	01	CJ1089-01	25-23-00-03	-011A	01
CI105	34-50-02-01	-004	01	CL13501-1	33-44-00-02	-001	01
CI105	34-50-02-01	-004A	01	CM2662-35LH	27-10-00-01	-076	02
CI105-16	34-50-02-01	-004B	01	CM2692-13J1S	73-30-00-01	-001B	01
CI105-16	34-50-02-01	-004C	01	CM2692-13J1S	73-30-00-01	-001C	01
CI215	34-50-00-01	-075A	01	CM2692-16AA2S	31-10-00-01	-100	AR
CI215	34-50-00-01	-075B	01	CM2692-16P2S	24-61-00-01B	-091	NP
CI248-5	23-10-00-01	-001D	01	CM2692-16U2S	31-10-00-01	-099	NP
CI248-5	23-10-00-01	-001E	01	CM2692-16Z2S	24-61-00-01B	-091A	AR
CI2480-200	23-10-00-01	-001F	01	CM2692-16Z2S	31-10-00-02	-004	AR
CI2480-200	23-10-00-01	-001G	01	CM2692-20-1S	57-50-00-01	-034	AR
CI2480-200	23-10-00-01	-001H	01	CM2692-26J1S	53-10-01-02	-006	01
CI2480-200	23-10-00-01	-001J	01	CM2692-26J1S	53-10-01-02	-006A	01
CI2480-400	23-10-00-01	-001K	01	CM2692-28J1S	52-10-00-01	-034	01
CI2480-400	23-10-00-01	-001L	01	CM2692-28J1S	52-10-00-02	-028	01
CI2580-200	23-10-00-01	-001M	01	CM2692-28J1S	57-11-00-01	-011	01
CI2580-200	23-10-00-01	-001N	01	CM2692-32-1S	71-11-00-01	-009	01
CI2580-410	23-10-00-01	-001P	01	CM2692-32-1S	71-11-00-01	-009A	01
CI2580-410	23-10-00-01	-001Q	01	CM2692-48J1S	71-11-00-01	-093	01
CI420-10	34-51-00-01	-011	01	CM2791-1	52-40-00-01	-003	02
CI420-10	34-51-00-01	-011A	01	CM2791-1	52-40-00-01	-008D	01
CJ1000-1	25-11-00-01	-001	02	CM2791-1	52-40-00-02	-020	01
CJ1000-1	25-11-00-01	-001A	02	CM2791-1	71-10-00-01	-014	02
CJ1001-00	25-10-00-05	-003	01	CM2791-1	71-10-00-01	-018	04
CJ1001-1	25-10-00-01	-014	01	CM2791-1	71-10-00-01	-031	02
CJ1001-1	25-10-00-01	-014A	01	CM2791-1	71-10-00-01	-035	06
CJ1001-1	25-21-00-01	-010	01	CM2791-1	71-10-00-01	-094	06
CJ1001-1	25-21-00-01	-010A	01	CM2791-1	71-10-00-02	-003	04
CJ1022	25-10-00-02	-090B	01	CM2791-1	71-10-00-02	-009	02
CJ1022	25-10-00-02	-090C	01	CM2791-1	71-10-00-02	-014	02
CJ1022	25-10-00-03	-090	01	CM2791-1	71-10-00-02	-027	06
CJ1028	52-10-00-02	-023B	NP	CM2791-1	71-10-00-02	-087	24
CJ1028	52-10-00-02	-023C	NP	CM2791-1	71-10-00-02	-087A	24
CJ1029	52-10-00-01	-029B	NP	CM2791-1	71-10-00-02	-087B	16
CJ1029	52-10-00-01	-029C	NP	CM2791-1	71-10-00-02	-087C	16
CJ1030-1	25-20-00-02	-016	01	CM2791-1	71-10-00-02	-087D	15
CJ1030-1	25-20-00-02	-016A	01	CM2791-1	71-10-00-02	-087E	15
CJ1030-10	25-20-00-04	-015	01	CM2941-1	25-10-00-04	-009	01
CJ1030-13	25-20-00-06	-080	01	CM2941-1	25-10-00-04	-025	02
CJ1030-14	25-20-00-05	-083	03	CM2942-1	25-10-00-04	-010	01
CJ1030-14	25-20-00-06	-084	03	CM2942-1	25-10-00-04	-026	02
CJ1030-4	25-20-00-01	-005A	01	CM3558-10-12B	31-00-00-01	-003	04
CJ1030-4	25-20-00-01	-005D	01	CM3558-10-12B	31-00-00-01	-088A	AR
CJ1030-4	25-20-00-02	-008	01	CM3558-10-12G	57-40-00-02	-017	06
CJ1030-4	25-20-00-02	-008A	01	CM3558-10-12G	57-40-00-02	-017A	06
CJ1030-7	25-20-00-03	-019A	03	CM3558-10-12G1	31-00-00-01	-002	04
CJ1030-7	25-20-00-04	-019A	03	CM3558-10-12G1	31-00-00-01	-003B	11
CJ1031-1	25-20-00-01	-004	01	CM3558-10-12G1	31-00-00-01	-006	03
CJ1031-1	25-20-00-01	-004A	01	CM3558-10-12G1	31-00-00-01	-019	02
CJ1031-13	25-20-00-05	-080	01	CM3558-10-12G1	31-00-00-01	-084	06
CJ1031-4	25-20-00-03	-015	01	CM3558-10-12G1	31-00-00-01A	-002A	11
CJ1036	25-23-00-01	-010	01	CM3558-10-18G1	31-00-00-01	-003A	17
CJ1036	25-23-00-02	-016	01	CM3558-10-8B	24-61-00-01	-002	08
CJ1036	25-23-00-03	-010	01	CM3558-10-8G1	31-00-00-01	-007	06
CJ1036	25-23-00-03	-010A	01	CM3558-10-8G1	31-00-00-01	-020	05
CJ1042-1	52-10-00-02	-023D	01	CM3558-10-8G1	31-00-00-01	-084A	05
CJ1042-1	52-10-00-02	-023E	01	CM3558-10-8G1	31-00-00-01	-087	03
CJ1043-1	52-10-00-01	-029D	01	CM3558-10-8G1	31-00-00-01A	-002B	02

CESSNA AIRCRAFT COMPANY
MODEL 172 (SERIES 1996 AND ON)
ILLUSTRATED PARTS CATALOG

PART NUMBER	CH	SEC	SUBJ	FIG	ITEM	REQ	PART NUMBER	CH	SEC	SUBJ	FIG	ITEM	REQ
CM3558-10-8G1	31	00	00	01A	-016	06	CS	11	00	00	01	-093	AR
CM3558-10-8G1	31	00	00	01A	-035	02	CS3100	24	60	00	01	-006	NP
CM3558-4-6B	31	00	00	01A	-025	02	CS3100	24	60	00	01	-006A	NP
CM3558-4-8B	31	10	00	02	-003	04	CS3200	24	60	00	01	-006B	01
CM3558-4-8B	33	10	00	01	-014	10	CS3200	24	60	00	01	-006C	01
CM3558-4-8B	33	10	00	01	-014A	10	CS3200-1	24	60	00	01	-006D	01
CM3558-4-8B	33	10	02	01	-006	08	CS3200-1	24	60	00	01	-006E	01
CM3558-4-8G	33	10	02	01	-002	06	CSEGPS-01-L1	34	51	00	01	-089	01
CM3558-4-8G	33	10	02	01	-004	06	CSEGPS-01-L1	34	51	00	01	-089A	01
CM3558-6-12G1	27	70	00	01	-005	04	CSEGPS-01-L2	34	51	00	01	-090	01
CM3558-6-16B	24	61	00	02	-002	08	CSEGPS-01-L2	34	51	00	01	-090A	01
CM3558-6-16B	24	61	00	02	-076	08	CSELGT-01	33	10	00	01	-013	01
CM3558-6-16B	24	61	00	03	-002	08	CSELGT-01	33	10	00	01	-013A	01
CM3558-6-16B	24	61	00	03A	-002	08	CSEWCA-01	31	50	01	01	-001	01
CM3558-6-16B	24	61	00	03A	-076	08	CSEWCA-01	31	50	01	01	-001A	01
CM3558-6-16B	24	61	00	04	-002	08	CSEWCA-03	31	50	01	01	-001B	01
CM3558-6-16B	24	61	00	04	-076	08	CSEWCA-03	31	50	01	01	-001C	01
CM3558-6-6B	24	61	00	05	-002	08	CU	11	00	00	01	-026	AR
CM3558-6-6B	24	61	00	05	-076	08	D	11	00	00	01	-035	AR
CM3558-6-6B	24	61	00	06	-002	08	D01574	31	10	00	01	-080	01
CM3558-6-6B	24	61	00	06	-076	08	DEV055044-1	55	20	00	01	-022	01
CM3558-6-6B	24	61	00	07	-002	08	DEV055044-2	55	20	00	01	-021	01
CM3558-6-6B	24	61	00	08	-002	08	DEV055044-3	55	20	00	01	-023	01
CM3558-6-6B	24	61	00	09	-002	08	DEV055044-4	55	20	00	01	-020	01
CM3558-6-6B	24	61	00	10	-002	08	DQ	11	00	00	01	-032	AR
CM3558-6-6B	24	61	00	11	-002	08	E211CC	37	10	00	01	-019	01
CM3558-6-6B	24	61	00	12	-002	08	E211CC	37	10	00	01	-019A	01
CM3558-6-6B	24	61	00	13	-002	08	E211CC	37	10	00	02	-024	NP
CM3558-6-6B	24	61	00	14	-002	08	E211CC	37	10	00	02	-024A	NP
CM3558-6-6B	24	61	00	15	-002	08	E212CW	37	10	00	01	-020	NP
CM3558-6-6B	31	00	00	01	-157	04	E212CW	37	10	00	01	-020A	NP
CM3558-6-6B	31	00	00	01	-165	02	E212CW	37	10	00	02	-025	NP
CM3573-1	52	30	00	01	-012A	01	E212CW	37	10	00	02	-025A	NP
CM3589-10	24	61	00	01	-009	01	EC	11	00	00	01	-104	AR
CM3589-10	24	61	00	01	-010	01	EI	11	00	00	01	-044	AR
CM3589-10	24	61	00	01A	-008	01	EJ	11	00	00	01	-045	AR
CM3589-10	24	61	00	01A	-009	01	ES	11	00	00	01	-031	AR
CM3589-5	24	61	00	01	-007	01	F	11	00	00	01	-034	AR
CM3589-5	24	61	00	01	-008	01	F09242	11	00	00	02	-003	AR
CM3589-5	24	61	00	01	-011	01	F09282	11	00	00	02	-004	AR
CM3589-5	24	61	00	01	-012	01	F09769	11	00	00	02	-001	AR
CM3589-5	24	61	00	01	-013	01	F09770	11	00	00	02	-002	AR
CM3589-5	24	61	00	01A	-006	01	F441588	25	80	00	01	-013B	01
CM3589-5	24	61	00	01A	-007	01	F441588	25	80	00	01	-016	02
CM3589-5	24	61	00	01A	-010	01	F441588	25	80	00	02	-015	01
CM3589-5	24	61	00	01A	-011	01	F441627	25	20	10	01	-085A	AR
CM3589-5	24	61	00	01A	-012	01	F51-0002	24	60	00	01	-012	03
CM3658-5	21	21	00	02	-003	04	F51-0003	24	60	00	01	-011	02
CM3658-6	31	00	00	01B	-014	04	F52-0002	24	60	00	01	-010	01
CM3658-6	31	00	00	01B	-014A	04	F53-0003	24	60	00	01	-013	02
CM3658-6	31	10	00	01	-104	05	F53-0006	24	60	00	01	-014	02
CM3658-6	31	10	00	02	-007	04	F7-16-4	37	10	00	01	-002	02
CM3658-7	24	61	00	01B	-002	06	F7-16-4	37	10	00	02	-002	02
CM3902-10	25	20	00	01	-006E	AR	F7-16-4	37	10	00	03	-001D	02
CM3902-10	25	20	00	02	-007E	AR	F990014	25	20	20	01	-008	NP
CM3902-8	25	20	00	01	-006C	AR	F990021	25	23	00	03	-014B	AR
CM3902-8	25	20	00	02	-007C	AR	F990030	25	23	00	01	-009	AR
CM3902-8	25	20	10	01	-093	01	F990030	25	23	00	02	-014	AR
CM3902-9	25	20	00	01	-006D	AR	F990030	25	23	00	03	-013	AR
CM3902-9	25	20	00	02	-007D	AR	F990042	25	23	00	02	-013	NP
CN	11	00	00	01	-080	AR	F990042	25	23	00	03	-012	NP
CR	11	00	00	01	-092	AR	F990048	25	23	00	02	-015	AR

CESSNA AIRCRAFT COMPANY
MODEL 172 (SERIES 1996 AND ON)
ILLUSTRATED PARTS CATALOG

PART NUMBER	CH SEC SUBJ FIG	ITEM	REQ	PART NUMBER	CH SEC SUBJ FIG	ITEM	REQ
F990048	25-23-00-03	-014	NP	HR	11-00-00-01	-039	AR
F990048	33-10-00-01	-012	AR	HS	11-00-00-01	-107	AR
F990048	33-10-00-01	-012A	AR	HZ	11-00-00-01	-098	AR
F990300	25-20-10-02	-013	NP	I	11-00-00-01	-048	AR
F990306	53-20-00-01	-332	AR	IO-360-L2A	71-00-01-01	-002	01
F990307	25-23-00-02	-015A	NP	IO-360-L2A	71-00-01-01	-002A	01
F990307	33-10-00-01	-012C	NP	IO-360-L2A10017	71-00-01-01	-002D	01
F990308	25-20-10-02	-012	AR	IO-360-L2A10017	71-00-01-01	-002E	01
F990308	25-20-20-01	-008A	AR	IO-360-L2A10188	71-00-01-01	-002F	01
F990309	25-23-00-02	-013A	NP	IO-360-L2A10188	71-00-01-01	-002G	01
F990309	25-23-00-03	-012A	NP	IO-360-L2A10230	71-00-01-01	-002H	01
F990310	25-23-00-01	-009A	AR	IO-360-L2A10230	71-00-01-01	-002J	01
F990310	25-23-00-02	-014A	AR	IO-360-L2A10294	71-00-01-01	-002K	01
F990310	25-23-00-03	-013A	AR	IO-360-L2A10294	71-00-01-01	-002L	01
F990312	25-20-10-02	-013A	AR	IO-360-L2A9543	71-00-01-01	-002B	01
F990318	25-23-00-03	-014A	NP	IO-360-L2A9543	71-00-01-01	-002C	01
F990318	33-10-00-01	-012B	NP	IO-360-L2A9918	71-00-01-01	-002T	01
F990324	25-23-00-02	-015B	AR	J-7444-42	53-10-01-01A	-013	01
F990324	25-23-00-03	-014C	AR	J12334-1	71-20-00-01	-023	02
F990324	33-10-00-01	-012D	AR	J12334-1	71-20-00-02	-019	02
F990327	25-20-10-02	-011	NP	J12334-1	71-20-00-03	-019	02
F990327	25-20-20-01	-008B	AR	J20125-32	33-11-01-01	-003	03
F990328	25-23-00-02	-013B	AR	J20125-32	33-11-01-02	-008	01
F990328	25-23-00-03	-012B	AR	J20125-32	33-11-01-03	-009	01
FAK-201CC/KEY	52-10-00-01	-119	01	J2218-61	71-20-00-01	-022	04
FAK-201CC/KEY	52-10-00-01	-119A	01	J2218-61	71-20-00-02	-018	04
FAK-201CC/KEY	52-30-00-01	-030	01	J2218-61	71-20-00-03	-018	04
FAK-201CC/KEY	52-30-00-01	-030A	01	J23502-1	71-20-00-01	-011	01
FAK-201CC/MAIN	32-11-00-01	-053	02	J23502-1	71-20-00-01	-012	01
FAK-201CC/MAIN	32-11-00-01	-053A	02	J23502-1	71-20-00-02	-008	01
FAK-201CC/MSL	32-11-00-01	-051	01	J23502-1	71-20-00-03	-008	01
FAK-201CC/MSL	32-11-00-01	-051A	01	J7444-36	53-10-01-01	-013	NP
FAK-201CC/MSR	32-11-00-01	-052	01	J7444-36	53-10-01-01	-013A	NP
FAK-201CC/MSR	32-11-00-01	-052A	01	J7444-36	53-10-01-01	-021	NP
FAK-201CC/NOSE	32-21-00-01	-029	01	J7444-36	53-10-01-01	-021A	NP
FAK-201CC/NOSE	32-21-00-01	-029A	01	J7444-36	53-10-01-01	-081	NP
FAK-201CC/STEP	53-10-02-01	-019	02	J7444-36	53-10-01-01	-081A	NP
FAK-201CC/STEP	53-10-02-01	-019A	02	J7444-36	53-10-01-01	-087	NP
FCM8C14DS04GY	09-10-00-01	-003	01	J7444-36	53-10-01-01	-087A	NP
FCM8C14DS04GY	09-10-00-01	-003A	01	J7444-42	53-10-01-01	-014	06
FD-2997M34-2	25-20-20-01	-004	06	J7444-42	53-10-01-01	-014A	06
FD-2997M34-2	25-20-20-01	-005	06	J7444-42	53-10-01-01	-022	02
FIS10-751	34-53-00-04	-003	01	J7444-42	53-10-01-01	-022A	02
FS24B3	21-21-00-02	-006	02	J7444-42	53-10-01-01	-082	01
FSO 0523806-201	57-60-00-01	-005A	01	J7444-42	53-10-01-01	-082A	01
G	11-00-00-01	-110	AR	J7444-42	53-10-01-01	-088	02
GATS/12	28-10-01-01	-030	01	J7444-42	53-10-01-01	-088A	02
GATS/12	28-10-01-01	-030A	01	J7763-33	71-20-00-01	-020	04
H990000	34-11-00-01	-047	01	J7763-33	71-20-00-02	-016	04
HA	11-00-00-01	-040	AR	J7763-33	71-20-00-03	-016	04
HB	11-00-00-01	-054	AR	J9313-72	71-20-00-02	-015	02
HB	11-00-00-01	-106	AR	J9612-8	71-20-00-01	-021	04
HI	11-00-00-01	-029	AR	J9612-8	71-20-00-02	-017	04
HK	11-00-00-01	-023	AR	J9612-8	71-20-00-03	-017	04
HL18PB8-10	53-11-00-03	-020A	08	J9613-49	71-20-00-01	-018	02
HL18PB8-10	53-11-00-03	-094	06	J9613-49	71-20-00-02	-014	02
HL18PB8-8	53-11-00-03	-018A	08	J9613-49	71-20-00-03	-014	02
HL70-8	53-11-00-03	-019A	08	J9613-72	71-20-00-01	-019	02
HL70-8	53-11-00-03	-021A	08	J9613-72	71-20-00-03	-015	02
HL70-8	53-11-00-03	-095	06	JA	11-00-00-01	-051	AR
HP	11-00-00-01	-087	AR	JAA	11-00-00-01	-049	AR
HPL3-4-1	25-10-02-01	-009	01	K000254	11-10-00-02	-027	AR

CESSNA AIRCRAFT COMPANY
MODEL 172 (SERIES 1996 AND ON)
ILLUSTRATED PARTS CATALOG

PART NUMBER	CH	SEC	SUBJ	FIG	ITEM	REQ	PART NUMBER	CH	SEC	SUBJ	FIG	ITEM	REQ
K000254	11-10-00-03				-050	AR	MC0543022-2	32-50-00-01				-013	01
K000254	11-10-00-04				-045	AR	MC0543022-2	32-50-00-01				-013A	01
K000257	11-10-00-05				-041	AR	MC0543022-2C	32-50-00-01				-002F	01
K000258	11-10-00-07				-034	AR	MC0543022-6074	32-50-00-01				-018	01
K000258	11-10-00-08				-031	AR	MC0543022-6074	32-50-00-01				-018A	01
K000927	33-10-00-01				-021	AR	MC0543023	32-50-00-01				-004B	01
K270011	31-00-00-01				-167	AR	MC0543023	32-50-00-01				-004C	01
KKU-8A	33-10-00-01				-003	04	MC24B3	21-21-00-02				-001D	01
KKU-8A	33-10-00-01				-003A	04	MC5794-24	25-10-00-02				-009	01
KM610-064	52-40-00-01				-010	01	MC5794-24	25-10-00-03				-019	01
KM610-064	52-40-00-02				-002	01	MC5794-24	25-10-00-03				-030	01
KM610-064	52-40-00-02				-017	01	MC5794-24	25-10-00-05				-088	01
L10-611-14	34-40-01-01				-002	01	MD41-228	34-51-00-01				-085	01
LC045G01MMS	28-21-00-02				-016	NP	MD41-228	34-51-00-01				-085A	01
LM350K	33-13-00-01				-081	01	MD41-229	34-51-00-01				-086	01
LM350K	33-13-00-01				-081A	01	MD41-229	34-51-00-01				-086A	01
LM350K	33-13-00-01				-081B	01	MD41-231	34-51-00-01				-088	01
LM350K	33-13-00-01A				-003	01	MD41-231	34-51-00-01				-088A	01
LM350K	33-13-00-01A				-003A	01	MD41-233	34-51-00-01				-087	01
LM350K	33-13-00-01A				-003B	01	MD41-233	34-51-00-01				-087A	01
LN	11-00-00-01				-085	AR	MD41-24P(28K)	34-51-00-01				-009	01
LQ	11-00-00-01				-002	AR	MD41-24P(28K)	34-51-00-01				-009A	01
LV	11-00-00-01				-003	AR	MM20-1057	25-10-00-02				-012	01
LW-12798-4S172	73-30-00-01				-033	01	MM20-1057	25-10-00-03				-017	01
LW-12798-4S370	73-30-00-01				-034	01	MM20-1057	25-10-00-05				-091	01
LX	11-00-00-01				-056	AR	MS15002-1	32-20-01-01				-029	NP
LY	11-00-00-01				-055	AR	MS15002-1	32-20-01-01				-042	NP
LZ	11-00-00-01				-017	AR	MS15002-1	32-20-01-01A				-034	NP
M	11-00-00-01				-046	AR	MS15002-1	32-20-01-01A				-087	NP
M5593-3	22-10-00-01				-014	01	MS15002-3	32-20-01-01				-055	NP
M5593-3	22-10-00-01				-014A	01	MS15002-3	32-20-01-01A				-102	NP
M5593-3	22-10-00-01A				-016	01	MS15584-15	33-44-00-01				-002	01
M803B-2-0/28V-B	31-20-01-01				-001B	01	MS15584-15	33-44-00-01				-002A	01
M803B-2-0/28V-B	31-20-01-01				-001C	01	MS16562-194	21-40-00-01				-006A	01
M83248/1-011	28-21-00-02				-006	01	MS16562-35	25-10-00-02				-091A	02
M83248/1-011	28-21-00-02				-012	01	MS16562-37	32-20-02-01				-014B	01
M83248/1-011	28-22-00-02				-010	01	MS16562-51	25-10-00-02				-093A	04
M83248/1-024	28-21-00-02				-004	01	MS16624-1050	28-21-00-01				-086	01
M83248/1-111	28-22-00-02				-008	01	MS16624-1262	32-10-00-01				-002	04
M83248/1-138	28-22-00-02				-006	01	MS16624-1275	32-20-01-01				-056	01
MC01-1	24-60-00-01				-001	01	MS16624-1275	32-20-01-01A				-104	01
MC01-2	24-60-00-01				-001A	NP	MS16624-81	27-30-01-02				-007	02
MC01-2	24-60-00-01				-001B	NP	MS16625-118	32-20-02-01				-009	02
MC01-2A	24-60-00-01				-001C	NP	MS16625-118	32-20-02-01				-009A	02
MC01-2A	24-60-00-01				-001D	NP	MS16633-1021	25-10-00-02				-013	01
MC0543015-6	53-10-00-02				-098B	NP	MS16633-1021	25-10-00-03				-018	01
MC0543015-6	53-10-00-02				-098C	NP	MS16633-1021	25-10-00-05				-089	01
MC0543022-1	32-50-00-01				-012	01	MS17825-3	22-10-00-01				-235	02
MC0543022-1	32-50-00-01				-012A	01	MS17825-3	22-10-00-02				-011	02
MC0543022-100	32-50-00-01				-014	01	MS17825-3	27-10-00-03				-156	02
MC0543022-100	32-50-00-01				-014A	01	MS17825-3	27-10-00-03				-164	02
MC0543022-105	32-50-00-01				-015	01	MS17825-3	27-10-00-03				-172	02
MC0543022-105	32-50-00-01				-015A	01	MS17825-3	27-20-00-01				-014	01
MC0543022-110	32-50-00-01				-016	01	MS17825-3	27-30-00-01				-011	02
MC0543022-110	32-50-00-01				-016A	01	MS17825-3	27-30-00-01				-016	02
MC0543022-115	32-50-00-01				-019	01	MS17825-3	55-20-00-01				-008	02
MC0543022-115	32-50-00-01				-019A	01	MS17825-3	71-20-00-01				-028	01
MC0543022-120	32-50-00-01				-020	01	MS17825-3	71-20-00-02				-024	01
MC0543022-120	32-50-00-01				-020A	01	MS17825-3	71-20-00-03				-025	01
MC0543022-140	32-50-00-01				-021	01	MS17825-3	71-20-00-03				-025A	01
MC0543022-140	32-50-00-01				-021A	01	MS17825-4	27-20-00-01				-010	01
MC0543022-1C	32-50-00-01				-001F	01	MS17826-3	22-10-00-02A				-020	02

CESSNA AIRCRAFT COMPANY
MODEL 172 (SERIES 1996 AND ON)
 ILLUSTRATED PARTS CATALOG

PART NUMBER	CH SEC SUBJ FIG	ITEM	REQ	PART NUMBER	CH SEC SUBJ FIG	ITEM	REQ
MS17826-3	27-10-00-03	-180	02	MS21042-4	25-10-00-03	-028B	04
MS20002C8	27-10-00-01	-035	02	MS21042-4	25-10-00-03	-028C	04
MS20004-9	53-10-00-02	-088	02	MS21042-4	25-21-00-01	-180	01
MS20074-04-06	71-60-00-01	-014	02	MS21042-4	25-21-01-01	-020	01
MS20074-04-15	76-11-00-01	-007	02	MS21042L06	33-40-00-02	-108	02
MS20074-04-21	76-10-00-01	-015	01	MS21042L06	33-40-00-02	-108A	02
MS20074-04-21	76-10-00-01	-015A	01	MS21042L06	33-40-00-03	-025	02
MS20220-1	27-30-00-01	-028	02	MS21042L08	25-10-00-02	-010	02
MS20253P2-525	25-10-02-01	-008	01	MS21042L08	25-10-00-03	-012	02
MS20365-1032C	32-32-00-02	-018	01	MS21042L08	25-10-00-03	-021	04
MS20392-1C11	27-50-00-01	-077	02	MS21042L08	25-10-00-03	-032	02
MS20392-1C11	52-10-00-01	-083	01	MS21042L08	25-10-00-05	-098	02
MS20392-1C11	52-10-00-02	-083	01	MS21042L08	33-40-00-01B	-006	06
MS20392-1C11	52-10-02-01	-011	01	MS21042L3	21-40-00-01	-013F	01
MS20392-1C15	25-21-00-01	-172B	02	MS21042L3	22-10-00-01	-168	02
MS20392-1C15	25-21-00-01	-172C	02	MS21042L3	25-10-03-01	-015	04
MS20392-1C35	52-10-02-01	-008	01	MS21042L3	25-10-03-01A	-010	04
MS20392-1C39	52-30-00-01	-002	02	MS21042L3	27-10-00-01	-041	02
MS20392-1C57	27-10-00-03	-014A	02	MS21042L3	27-10-00-01	-103	01
MS20392-1C7	25-21-00-01	-172	02	MS21042L3	32-32-00-02	-008B	01
MS20392-1C7	25-21-00-01	-172A	02	MS21042L3	32-32-00-02	-008C	01
MS20392-1C9	52-10-00-01	-084	01	MS21042L3	53-10-00-04	-012	04
MS20392-1C9	52-10-00-02	-084	01	MS21042L3	53-10-00-04	-016	02
MS20392-2C13	27-21-00-01	-084	01	MS21042L3	53-10-00-04	-022	02
MS20392-2C15	27-21-00-01	-013	01	MS21042L3	53-20-00-01	-247	03
MS20392-2C17	25-10-00-02	-110	02	MS21042L3	57-10-00-01	-102	02
MS20392-2C17	25-10-00-03	-103	02	MS21042L3	71-11-00-01	-006	01
MS20392-2C31	25-10-00-02	-099	01	MS21042L3	71-70-00-01	-014	01
MS20392-2C31	25-10-00-03	-112	01	MS21042L3	71-70-00-01	-019	01
MS20392-2C7	27-50-00-02	-004	01	MS21042L3	73-30-00-01	-015	01
MS20392-4C13	32-32-00-02	-035	01	MS21042L3	73-30-00-01	-025	01
MS20392-4C27	52-10-00-01	-111	01	MS21042L3	76-11-00-01	-023	01
MS20392-4C27	52-10-00-02	-111	01	MS21042L3	79-20-00-01	-016	01
MS20392-4C33	52-10-00-01	-111A	01	MS21042L3	79-30-00-01	-011	01
MS20392-4C33	52-10-00-02	-111A	01	MS21042L3	80-10-00-01	-007	01
MS20392-4C47	52-10-00-01	-108	01	MS21042L4	22-10-00-01	-243	01
MS20392-4C47	52-10-00-02	-108	01	MS21042L4	22-10-00-02	-018	01
MS20819-3D	32-32-00-01	-039	02	MS21042L4	27-10-00-01	-004	02
MS20819-3J	73-30-00-01	-008	NP	MS21042L4	27-10-00-01	-015	02
MS20822-3D	32-32-00-01	-042	02	MS21042L4	27-10-00-01	-098	01
MS20822-6-6D	28-21-00-01	-004	01	MS21042L4	27-10-00-01	-109	01
MS20822-8	79-20-00-01	-010B	01	MS21042L4	27-10-00-01	-109A	01
MS20822-8	79-20-00-01	-010C	01	MS21042L4	27-10-00-03	-011	01
MS20823-8	79-20-00-01	-007B	02	MS21042L4	27-10-00-03	-021	01
MS20823-8	79-20-00-01	-007C	02	MS21042L4	27-10-00-03	-025	01
MS20825-8	79-20-00-01	-007	02	MS21042L4	27-10-00-03	-029	01
MS20825-8	79-20-00-01	-008	01	MS21042L4	27-10-00-03	-034	01
MS20913-2D	28-10-01-01	-026	01	MS21042L4	27-10-00-03	-076	01
MS20913-2D	28-10-01-01	-026A	01	MS21042L4	27-10-00-03	-195	02
MS21025-24	32-10-00-01	-038	01	MS21042L4	27-20-00-01	-020	01
MS21042-06	25-21-00-01	-154	01	MS21042L4	27-20-00-01	-024	01
MS21042-06	27-10-00-03	-107	02	MS21042L4	27-20-00-01	-029	02
MS21042-08	21-21-00-01A	-003	03	MS21042L4	27-30-00-01	-004	01
MS21042-08	21-21-00-02	-002	04	MS21042L4	27-30-00-01	-008	02
MS21042-08	21-21-00-02	-009	04	MS21042L4	27-30-00-01	-022	01
MS21042-08	53-22-00-01	-023	01	MS21042L4	27-30-00-01	-027	01
MS21042-3	22-10-00-02A	-015	02	MS21042L4	27-50-00-01	-004	01
MS21042-3	22-10-00-03	-022	06	MS21042L4	27-50-00-01	-030	01
MS21042-3	24-20-00-01	-014	03	MS21042L4	27-50-00-01	-045	01
MS21042-3	25-10-00-04	-012	02	MS21042L4	27-50-00-02	-013	01
MS21042-3	25-10-00-04	-023	02	MS21042L4	32-20-01-01	-011	01
MS21042-4	25-10-00-02	-027	03	MS21042L4	32-20-01-01A	-012	01

CESSNA AIRCRAFT COMPANY
MODEL 172 (SERIES 1996 AND ON)
 ILLUSTRATED PARTS CATALOG

PART NUMBER	CH	SEC	SUBJ	FIG	ITEM	REQ	PART NUMBER	CH	SEC	SUBJ	FIG	ITEM	REQ
MS21042L4	52	10	00	01	-097	01	MS21044N3	27	10	00	01	-023	02
MS21042L4	52	10	00	02	-097	01	MS21044N3	27	10	00	01	-033	01
MS21042L4	53	10	00	02	-089	02	MS21044N3	27	10	00	01	-113	01
MS21042L4	53	10	02	01	-015	02	MS21044N3	27	10	00	02	-006	04
MS21042L4	55	20	00	01	-004	01	MS21044N3	27	10	00	02	-020	01
MS21042L4	55	20	00	01	-015	08	MS21044N3	27	10	00	02	-024	01
MS21042L4	55	40	00	01	-005	02	MS21044N3	27	10	00	02	-079	02
MS21042L5	27	30	00	01	-031	01	MS21044N3	27	10	00	02	-079A	02
MS21042L5	32	10	00	01	-031	04	MS21044N3	27	10	00	02	-079B	01
MS21042L5	32	20	00	01	-003	03	MS21044N3	27	10	00	02	-079C	01
MS21042L5	32	20	01	01	-005	01	MS21044N3	27	10	00	02	-084	02
MS21042L5	32	20	01	01A	-005	01	MS21044N3	27	10	00	02	-084A	02
MS21042L5	32	21	00	01	-006	01	MS21044N3	27	10	00	02A	-027	01
MS21042L5	53	10	00	02	-160	01	MS21044N3	27	10	00	02A	-033	01
MS21042L5	55	10	00	01	-007	04	MS21044N3	27	10	00	02A	-036	04
MS21042L5	55	30	00	01	-005	04	MS21044N3	27	10	00	03	-080	01
MS21042L5	57	10	01	01	-009	03	MS21044N3	27	10	00	03	-185	01
MS21042L5	57	10	03	01	-011	01	MS21044N3	27	10	00	03	-188	02
MS21042L6	27	50	00	01	-035	01	MS21044N3	27	21	00	01	-011	01
MS21042L6	32	50	00	01	-003	01	MS21044N3	27	21	00	01	-022	02
MS21042L6	32	50	00	01	-003A	01	MS21044N3	27	21	00	01	-090	01
MS21043-5	24	60	00	01	-023	01	MS21044N3	27	30	00	01	-037	01
MS21043-6	25	21	00	01	-158	02	MS21044N3	27	30	01	01	-014	01
MS21044-N4	32	30	00	01	-030	02	MS21044N3	27	30	01	01	-018	01
MS21044N04	27	50	00	02	-104	01	MS21044N3	27	30	01	01	-101	01
MS21044N04	33	13	00	01	-099	01	MS21044N3	27	50	00	01	-011	02
MS21044N04	33	13	00	01A	-023	01	MS21044N3	27	50	00	01	-026	02
MS21044N06	22	10	00	01	-010	02	MS21044N3	27	50	00	01	-083	01
MS21044N06	22	10	00	01A	-006	02	MS21044N3	27	50	00	01	-088	01
MS21044N06	22	10	00	01A	-012	02	MS21044N3	27	50	00	02	-026	01
MS21044N06	34	11	00	01	-052	01	MS21044N3	27	50	00	02	-096	01
MS21044N06	34	50	01	02	-002	01	MS21044N3	28	21	00	01	-017	01
MS21044N06	53	22	00	01	-027	AR	MS21044N3	28	21	00	01	-024	01
MS21044N06	53	22	00	01	-030	02	MS21044N3	28	21	00	01	-027	01
MS21044N06	53	22	00	01	-033	02	MS21044N3	28	21	00	01	-041	01
MS21044N06	53	22	00	01	-038	AR	MS21044N3	28	21	00	01	-048	01
MS21044N08	22	10	00	01	-093	06	MS21044N3	28	21	00	01	-084	02
MS21044N08	23	60	00	01	-006	01	MS21044N3	28	21	00	01	-176	01
MS21044N08	23	60	00	01	-009	01	MS21044N3	32	10	00	01	-020	01
MS21044N08	23	60	00	01	-009A	01	MS21044N3	32	10	00	01	-022	02
MS21044N08	27	30	01	02	-013	02	MS21044N3	32	11	00	01	-014	01
MS21044N08	34	11	00	01	-077	02	MS21044N3	32	11	00	01	-036	03
MS21044N08	53	10	00	01	-027	07	MS21044N3	32	21	00	01	-015	03
MS21044N08	53	10	00	01	-088	08	MS21044N3	32	32	00	02	-010	01
MS21044N08	53	10	00	01	-114	14	MS21044N3	32	32	00	02	-022	01
MS21044N08	53	10	00	02	-182	01	MS21044N3	32	32	00	02	-033	01
MS21044N08	53	10	00	02	-199	AR	MS21044N3	32	32	00	02	-040	01
MS21044N08	53	20	00	01	-038	03	MS21044N3	32	32	00	02	-043	01
MS21044N08	56	30	00	01	-090	01	MS21044N3	34	11	00	01	-099	01
MS21044N10	32	10	00	01	-005	02	MS21044N3	52	10	00	01	-003	06
MS21044N3	21	20	00	01	-026	01	MS21044N3	52	10	00	01	-101	01
MS21044N3	21	40	00	01	-011	01	MS21044N3	52	10	00	02	-003	06
MS21044N3	22	10	00	01	-080	02	MS21044N3	52	10	00	02	-101	01
MS21044N3	22	10	00	01	-153	01	MS21044N3	52	30	00	01	-008	02
MS21044N3	22	10	00	01	-161	01	MS21044N3	53	00	00	01	-010	02
MS21044N3	22	10	00	01	-174	01	MS21044N3	53	10	00	01	-080	01
MS21044N3	22	10	00	03	-014	02	MS21044N3	53	10	00	01	-118	04
MS21044N3	22	10	00	03	-018	01	MS21044N3	53	10	00	02	-023	02
MS21044N3	23	60	00	01	-011	01	MS21044N3	53	10	00	02	-154	02
MS21044N3	23	60	00	01	-011A	01	MS21044N3	53	10	00	02	-187	01
MS21044N3	25	10	00	05	-104	04	MS21044N3	53	10	00	03	-010	04
MS21044N3	25	10	03	01A	-022	04	MS21044N3	53	10	02	01	-004	06

CESSNA AIRCRAFT COMPANY
MODEL 172 (SERIES 1996 AND ON)
 ILLUSTRATED PARTS CATALOG

PART NUMBER	CH SEC SUBJ FIG	ITEM	REQ	PART NUMBER	CH SEC SUBJ FIG	ITEM	REQ
MS21044N3	53-10-02-01	-010	02	MS21047-3	23-60-00-01	-011B	01
MS21044N3	53-11-00-01	-005	04	MS21047-3	23-60-00-01	-011C	01
MS21044N3	53-11-00-01	-008	02	MS21047-3	53-10-01-01	-076	01
MS21044N3	53-11-00-02	-012	06	MS21047-3	53-22-00-02	-015	01
MS21044N3	53-11-00-02	-017	02	MS21047-5K	53-10-01-01	-008	01
MS21044N3	53-11-00-02	-036	04	MS21047-5K	53-10-01-01A	-030	01
MS21044N3	53-20-00-01	-254	01	MS21047L06	34-50-03-01	-012	04
MS21044N3	53-20-01-01	-012	04	MS21047L08	25-70-00-01	-004	04
MS21044N3	53-21-00-01	-008	01	MS21047L08	25-70-00-01	-004A	04
MS21044N3	55-40-00-01	-039	01	MS21047L08	34-50-03-01	-009	04
MS21044N3	57-10-00-01	-101	24	MS21047L08	52-10-00-01	-019	07
MS21044N3	57-50-00-01	-009	04	MS21047L08	52-10-00-01	-020	01
MS21044N3	57-60-00-01	-004	12	MS21047L08	52-10-00-01	-077	04
MS21044N4	25-10-00-02	-008	02	MS21047L08	52-10-00-01	-081	06
MS21044N4	25-10-00-02	-097	02	MS21047L08	52-10-00-01	-089	04
MS21044N4	25-10-00-02	-106	04	MS21047L08	52-10-00-02	-019	07
MS21044N4	25-10-00-03	-025	01	MS21047L08	52-10-00-02	-020	01
MS21044N4	25-10-00-03	-028	04	MS21047L08	52-10-00-02	-077	04
MS21044N4	25-10-00-03	-028A	04	MS21047L08	52-10-00-02	-081	06
MS21044N4	25-10-00-03	-039	01	MS21047L08	52-10-00-02	-089	04
MS21044N4	25-10-00-03	-042	01	MS21047L08	53-10-00-01	-006	04
MS21044N4	25-10-00-03	-084	02	MS21047L08	53-10-00-02	-025	01
MS21044N4	25-10-00-03	-111	04	MS21047L08	53-22-00-01A	-012	01
MS21044N4	25-10-00-05	-007	02	MS21047L08	56-60-00-01	-011A	04
MS21044N4	25-10-00-05	-079	02	MS21047L08	56-60-00-01	-013A	04
MS21044N4	25-10-00-05	-094	01	MS21047L08	61-10-00-01	-008	06
MS21044N4	25-10-03-01	-007	02	MS21047L08	71-10-00-01	-025C	04
MS21044N4	25-10-03-01A	-007	02	MS21047L08	71-10-00-01	-025D	04
MS21044N4	25-21-01-01	-010	01	MS21047L08	71-10-00-01	-078C	04
MS21044N4	25-21-01-01A	-009	01	MS21047L08	71-10-00-01	-078D	04
MS21044N4	25-21-01-01A	-015	01	MS21047L08	71-10-00-02	-015	04
MS21044N4	27-10-00-03	-016	01	MS21047L08	71-10-00-02	-078	04
MS21044N4	32-31-00-01	-012	03	MS21047L08	71-11-00-01	-084	03
MS21044N6	71-20-00-01	-007	04	MS21047L08	71-11-00-01	-104	03
MS21044N7	27-21-00-01	-033	01	MS21047L08K	32-11-00-01	-004	07
MS21044N7	57-00-00-01	-008	01	MS21047L08K	53-10-01-01	-007	03
MS21044N7	71-20-00-01	-016	04	MS21047L3	22-10-00-01	-085	14
MS21044N8	57-00-00-01	-004	02	MS21047L3	25-10-03-01A	-026	01
MS21044N8	57-10-03-01	-005	01	MS21047L3	25-11-00-01	-002B	02
MS21045L3	27-21-00-01	-094	01	MS21047L3	26-10-00-01	-004	04
MS21045L3	32-20-00-01	-013	01	MS21047L3	27-50-00-01	-020	02
MS21045L3	32-32-00-02	-019	01	MS21047L3	28-10-01-01	-013	03
MS21045L3	76-10-00-01	-012	02	MS21047L3	28-10-01-01	-013A	03
MS21045L3	76-10-00-01	-019	02	MS21047L3	52-10-00-01	-022	04
MS21045L3	76-11-00-01	-005	02	MS21047L3	52-10-00-02	-022	04
MS21045L4	71-20-00-01	-033	01	MS21047L3	53-10-00-02	-173	02
MS21045L4	71-20-00-02	-029	01	MS21047L3	53-10-01-01	-006	04
MS21045L4	71-20-00-03	-030	01	MS21047L3	53-10-01-01A	-024	05
MS21045L6	71-20-00-01	-008	04	MS21047L3	53-11-00-02	-024	02
MS21045L6	71-20-00-01	-008A	04	MS21047L3	53-11-00-02	-044	02
MS21045L6	71-20-00-02	-007	04	MS21047L3	53-11-00-04	-007	02
MS21045L6	71-20-00-03	-007	04	MS21047L3	53-20-00-01	-014	01
MS21045L7	24-20-00-01	-004	01	MS21047L3	53-20-00-01	-042	01
MS21045L7	71-20-00-01	-017	04	MS21047L3	53-20-00-01	-155	04
MS21045L7	71-20-00-01	-017A	04	MS21047L3	53-20-00-01	-155A	04
MS21045L7	71-20-00-02	-013	04	MS21047L3	53-20-00-01	-155B	08
MS21045L7	71-20-00-03	-013	04	MS21047L3	53-20-00-01	-155C	08
MS21047-06	53-22-00-01A	-028	04	MS21047L3	53-20-00-01	-242	04
MS21047-06	53-22-00-01A	-028A	04	MS21047L3	53-20-00-01	-245	03
MS21047-06	53-22-00-01A	-028B	07	MS21047L3	53-20-00-01	-305	04
MS21047-06	53-22-00-01A	-028C	07	MS21047L3	53-20-01-01	-003	02
MS21047-08	33-43-00-01	-013	02	MS21047L3	53-20-01-01	-009	03

CESSNA AIRCRAFT COMPANY
MODEL 172 (SERIES 1996 AND ON)
ILLUSTRATED PARTS CATALOG

PART NUMBER	CH	SEC	SUBJ	FIG	ITEM	REQ	PART NUMBER	CH	SEC	SUBJ	FIG	ITEM	REQ
MS21047L3	53	20	01	01	-014	04	MS21060L08	25	60	00	03	-011	04
MS21047L3	53	20	01	01	-017	04	MS21060L3	22	10	00	01	-256	02
MS21047L3	53	20	01	01	-022	02	MS21069-06	24	61	00	02	-005	04
MS21047L3	53	22	00	01A	-022	04	MS21069-06	24	61	00	02	-079	04
MS21047L3	53	22	00	01A	-024	03	MS21069-06	24	61	00	03	-005	04
MS21047L3	57	10	00	01	-014	01	MS21069-06	24	61	00	03A	-005	04
MS21047L3	57	10	02	01	-008	16	MS21069-06	24	61	00	03A	-079	04
MS21047L3	57	10	02	01	-117	42	MS21069-06	24	61	00	04	-005	04
MS21047L3	57	50	00	01	-021	02	MS21069-06	24	61	00	04	-079	04
MS21047L3	71	11	00	01	-016	02	MS21069-06	24	61	00	05	-005	04
MS21047L3	71	11	00	01	-019	02	MS21069-06	24	61	00	05	-079	04
MS21047L3	71	11	00	01	-170	01	MS21069-06	24	61	00	06	-005	04
MS21047L3K	32	11	00	01	-043	03	MS21069-06	24	61	00	06	-079	04
MS21047L3K	53	20	00	01	-027	10	MS21069-06	24	61	00	07	-005	04
MS21047L4	53	10	00	01	-023	01	MS21069-06	24	61	00	09	-006	04
MS21047L4	53	10	00	01	-028	01	MS21069-06	24	61	00	12	-005	04
MS21047L4	53	10	00	02	-226	02	MS21069-06	24	61	00	13	-006	04
MS21047L4	53	11	00	02	-027	04	MS21069-06	24	61	00	14	-006	04
MS21047L4	53	20	00	01	-023	01	MS21069-06	24	61	00	15	-006	04
MS21047L5	53	21	00	01	-022	01	MS21069-06-4	24	61	00	08	-006	04
MS21048L06	53	10	01	01A	-039	02	MS21069-06-4	24	61	00	10	-006	04
MS21051-3	31	00	00	01A	-005	01	MS21069-06-4	24	61	00	11	-006	04
MS21051-3	31	00	00	01A	-038	01	MS21069-08	53	10	00	04	-007	06
MS21051-3	31	00	00	01A	-042	01	MS21069-3	31	00	00	01A	-039	07
MS21051-3	53	22	00	01A	-007	01	MS21069-3	31	00	00	01A	-043	06
MS21051-3	73	30	00	01	-020	04	MS21069L04	53	22	00	01A	-013	08
MS21051L06	27	50	00	02	-030	04	MS21069L06	33	10	01	01	-016	03
MS21051L08	31	00	00	01A	-003	05	MS21069L06	34	53	00	02	-002A	08
MS21051L08	31	00	00	01B	-009	05	MS21069L08	22	10	00	01	-250	12
MS21051L3	53	10	00	01	-105	06	MS21069L08	24	60	01	01	-005	04
MS21055L08	52	30	00	01	-022A	02	MS21069L08	24	60	01	01	-008	02
MS21055L3	22	10	00	01	-078	02	MS21069L08	31	00	00	01A	-013	01
MS21055L3	22	10	00	01	-177	02	MS21069L08	34	53	00	04	-008	01
MS21059-08	34	53	00	02	-014	04	MS21069L08	34	60	00	02	-011	04
MS21059-08	34	53	00	02	-014A	04	MS21069L08	53	10	00	02	-172	02
MS21059-3	71	11	00	01	-161	02	MS21069L08	53	10	00	04	-024	06
MS21059L06	25	60	00	02	-013	04	MS21069L08	53	22	00	02	-003	04
MS21059L06	53	20	00	01	-230	01	MS21069L08	71	10	00	01	-028	02
MS21059L08	34	51	00	01	-005	04	MS21069L08	71	10	00	02	-017	10
MS21059L08	53	10	00	01	-036	04	MS21069L08	71	10	00	02	-022	02
MS21059L08K	57	10	00	01	-094	12	MS21069L08	71	11	00	01	-083	02
MS21059L3	24	34	00	02	-006	01	MS21069L08K	22	10	00	01	-249	03
MS21059L3	32	11	00	01	-037	06	MS21069L08K	53	10	01	01	-009	06
MS21059L3	32	11	00	01	-042	04	MS21069L08K	53	10	01	01A	-022	08
MS21059L3	53	10	00	03	-002	01	MS21069L08K	53	20	00	01	-031	01
MS21059L3	53	10	00	03	-022	01	MS21069L3	53	10	00	01	-109	06
MS21059L3	53	10	00	03	-022A	01	MS21069L3	53	10	00	03	-022B	01
MS21059L3	53	11	00	02	-023	01	MS21069L3	53	10	00	03	-022C	01
MS21059L3	71	10	00	02	-081	08	MS21069L3	53	10	00	04	-008	05
MS21059L3	71	10	00	02	-081A	08	MS21069L3	53	20	00	01	-307	01
MS21059L3	71	11	00	01	-016A	01	MS21069L3	53	20	00	01	-340	04
MS21059L3	71	11	00	01	-016B	01	MS21069L3	53	20	01	01	-004	04
MS21059L3K	33	40	00	02	-091A	04	MS21069L3	53	20	01	01	-022B	08
MS21059L3K	53	10	00	03	-005	01	MS21069L3K	23	30	00	01	-002	04
MS21059L3K	57	40	00	02	-005	03	MS21069L3K	53	10	00	04	-005	02
MS21059L3K	57	40	00	02	-022	03	MS21071-06	24	61	00	02	-006	04
MS21059L4	34	50	01	01	-010	02	MS21071-06	24	61	00	02	-080	04
MS21059L4	53	10	00	01	-099	02	MS21071-06	24	61	00	03	-006	04
MS21060L08	23	30	00	01	-003	01	MS21071-06	24	61	00	03A	-006	04
MS21060L08	25	10	03	01A	-035	02	MS21071-06	24	61	00	03A	-080	04
MS21060L08	25	20	10	04	-010	01	MS21071-06	24	61	00	04	-006	04
MS21060L08	25	60	00	02	-014	04	MS21071-06	24	61	00	04	-080	04

CESSNA AIRCRAFT COMPANY
MODEL 172 (SERIES 1996 AND ON)
 ILLUSTRATED PARTS CATALOG

PART NUMBER	CH SEC SUBJ FIG	ITEM	REQ	PART NUMBER	CH SEC SUBJ FIG	ITEM	REQ
MS21071-06	24-61-00-05	-006	04	MS21086L3	53-10-00-01	-106	02
MS21071-06	24-61-00-05	-080	04	MS21086L3	53-20-00-01	-100F	04
MS21071-06	24-61-00-06	-006	04	MS21086L3	53-20-00-01	-100G	04
MS21071-06	24-61-00-06	-080	04	MS21086L3	53-20-00-01	-100H	08
MS21071-06	24-61-00-07	-006	04	MS21086L3	53-20-00-01	-100J	08
MS21071-06	24-61-00-09	-005	04	MS21103D16	21-20-00-01	-012	04
MS21071-06	24-61-00-12	-006	04	MS21103D8	27-31-00-01	-004	04
MS21071-06	24-61-00-13	-005	04	MS21245L7	32-10-00-01	-026	01
MS21071-06	24-61-00-14	-005	04	MS21251-B2L	22-10-00-02	-023	01
MS21071-06	24-61-00-15	-005	04	MS21251-B2L	22-10-00-02A	-023	01
MS21071-06-4	24-61-00-08	-005	04	MS21251-B2S	22-10-00-01	-094	01
MS21071-06-4	24-61-00-10	-005	04	MS21251-B2S	22-10-00-03	-025	01
MS21071-06-4	24-61-00-11	-005	04	MS21251-B5S	27-10-00-01	-081	02
MS21071-5	53-10-01-01A	-031	01	MS21251-B5S	27-10-00-01	-089	01
MS21071L04	24-61-00-01B	-008	05	MS21251-B5S	27-30-00-01	-033	02
MS21071L04	31-10-00-01	-003	06	MS21251B2L	22-10-00-01	-237	01
MS21071L04	31-10-00-01	-009	03	MS21251B2L	27-30-01-01	-096	01
MS21071L06	31-10-00-01	-008	02	MS21256-1	22-10-00-01	-095	02
MS21071L06	31-10-00-01	-010	02	MS21256-1	22-10-00-03	-026	02
MS21071L06K	32-11-00-01	-005	03	MS21256-1	27-10-00-01	-082	02
MS21071L08	22-10-00-01	-251	02	MS21256-1	27-10-00-01	-090	02
MS21071L08K	22-10-00-01	-252	02	MS21256-2	22-10-00-01	-238	02
MS21071L08K	32-11-00-01	-006	02	MS21256-2	22-10-00-02	-024	02
MS21071L3	28-10-01-01	-015	02	MS21256-2	22-10-00-02A	-024	02
MS21071L3	53-10-00-02	-174	02	MS21318-14	11-N-38-01	-004	02
MS21071L3	53-11-00-02	-025	04	MS2169L08	71-11-00-01	-103	02
MS21071L3	53-11-00-02	-047	02	MS21919DG4	27-50-00-02	-007	03
MS21072L08	53-10-01-01	-016	02	MS21919DG5	27-50-00-01	-082	01
MS21072L08	53-10-01-01A	-012	02	MS21919DG6	28-21-00-01	-160	01
MS21073-06	31-00-00-01	-159	01	MS21919DG6	28-21-00-01	-173	02
MS21073-06	31-00-00-01A	-023	01	MS21919DG6	28-21-00-01	-180	02
MS21073-3	53-22-00-01A	-008	01	MS21919DG6	28-21-00-01	-230	04
MS21073-3	53-22-00-01A	-031	01	MS21919DG6	28-21-00-01	-230A	04
MS21073L06	22-10-00-01	-009	02	MS21919DG6	28-21-00-01	-230B	02
MS21073L06	22-10-00-01A	-010	02	MS21919DG6	28-21-00-01	-230C	02
MS21073L06	53-10-00-02	-167	02	MS21919WDG10	71-70-00-01	-010A	02
MS21073L06	53-22-00-01	-008A	02	MS21919WDG10	79-20-00-01	-017	01
MS21073L08	53-11-00-04	-011	02	MS21919WDG11	76-11-00-01	-020	01
MS21073L3	31-00-00-01A	-010	01	MS21919WDG11	76-11-00-01	-020A	01
MS21073L3	55-10-00-01	-088	04	MS21919WDG12	21-40-00-01	-013A	01
MS21073L4	55-40-00-01	-011	01	MS21919WDG12	24-20-00-01	-010	01
MS21074L08	31-00-00-01B	-015	04	MS21919WDG12	24-34-00-01	-012	01
MS21074L08	31-00-00-01B	-015A	04	MS21919WDG12	34-11-00-01	-097	01
MS21075-08N	61-10-00-01	-010	08	MS21919WDG12	71-20-00-01	-025	01
MS21075-3E	79-20-00-01	-005C	06	MS21919WDG12	71-20-00-02	-021	01
MS21075L08N	34-40-00-01	-010	04	MS21919WDG12	71-20-00-03	-021	01
MS21075L08N	34-40-00-01	-014	04	MS21919WDG12	71-70-00-01	-010	03
MS21075L08N	53-10-00-01	-009	04	MS21919WDG12	71-70-00-01	-015	04
MS21075L08N	53-20-00-01	-321	04	MS21919WDG12	73-30-00-01	-010	01
MS21076L04	24-61-00-01B	-009	01	MS21919WDG12	79-30-00-01	-008	01
MS21078-3	55-10-00-01	-090	02	MS21919WDG12	80-10-00-01	-003	01
MS21083N3	27-10-00-01	-026	01	MS21919WDG14	79-20-00-01	-013	01
MS21083N3	27-10-00-01	-029	01	MS21919WDG16	24-20-00-01	-009	01
MS21083N3	27-30-01-01	-088	01	MS21919WDG17	71-70-00-01	-008	01
MS21083N3	27-50-00-02	-101	01	MS21919WDG18	37-10-00-07	-030	01
MS21083N3	37-10-00-04	-031	02	MS21919WDG3	27-10-00-02	-016	01
MS21083N3	37-10-00-05	-038	02	MS21919WDG3	27-10-00-02A	-030	01
MS21083N3	37-10-00-06	-033	02	MS21919WDG3	28-21-00-01	-038	01
MS21083N3	37-10-00-07	-019	02	MS21919WDG3	28-21-00-01	-039	01
MS21083N3	52-10-00-01	-094	03	MS21919WDG3	28-21-00-01	-046	01
MS21083N3	52-10-00-02	-094	03	MS21919WDG3	32-10-00-01	-042	01
MS21086-3	53-22-00-01A	-009	02	MS21919WDG3	32-32-00-01	-014	01

CESSNA AIRCRAFT COMPANY
MODEL 172 (SERIES 1996 AND ON)
ILLUSTRATED PARTS CATALOG

PART NUMBER	CH SEC SUBJ FIG	ITEM	REQ	PART NUMBER	CH SEC SUBJ FIG	ITEM	REQ
MS21919WDG3	32-32-00-01	-020	01	MS24665-134	27-50-00-01	-085	01
MS21919WDG3	71-70-00-01	-009	03	MS24665-134	32-20-00-01	-020	01
MS21919WDG3	71-70-00-01	-016	03	MS24665-134	32-20-01-01	-033	01
MS21919WDG3	73-30-00-01	-009	01	MS24665-134	32-20-01-01	-050	01
MS21919WDG3	79-30-00-01	-007	01	MS24665-134	32-20-01-01A	-078	01
MS21919WDG4	25-10-03-01A	-024	02	MS24665-134	32-20-01-01A	-097	01
MS21919WDG4	27-10-00-02	-035	01	MS24665-134	32-21-00-01	-023	01
MS21919WDG4	27-10-00-02A	-001	01	MS24665-134	32-32-00-02	-034	03
MS21919WDG4	27-50-00-02	-008	01	MS24665-136	22-10-00-01	-162	01
MS21919WDG48	21-40-00-01	-013B	01	MS24665-136	22-10-00-03	-032	01
MS21919WDG6	24-20-00-01	-017	01	MS24665-136	25-10-00-02	-101	01
MS21919WDG6	71-70-00-01	-011	02	MS24665-136	25-10-00-03	-114	01
MS21919WDG6	73-30-00-01	-023	01	MS24665-136	27-10-00-03	-023	02
MS21919WDG6	76-11-00-01	-019	01	MS24665-136	27-20-00-01	-021	02
MS21919WDG6	76-11-00-01	-019A	01	MS24665-136	27-20-00-01	-025	02
MS21919WDG7	24-20-00-01	-011	01	MS24665-136	27-30-00-01	-023	01
MS21919WDG8	80-10-00-01	-004	01	MS24665-136	32-21-00-01	-010	02
MS21919WDG9	73-30-00-01	-024	01	MS24665-136	32-21-00-01	-028	01
MS24047L08K	53-10-00-01	-110G	60	MS24665-136	32-50-00-01	-017	01
MS24394D3	32-32-00-01	-010A	01	MS24665-136	32-50-00-01	-017A	01
MS24585-1020	56-30-00-01	-018	02	MS24665-140	27-10-00-03	-037	04
MS24621-17	31-10-00-01	-015	04	MS24665-172	25-10-00-04	-006	02
MS24665-1	28-21-00-01	-077	02	MS24665-172	25-10-00-04	-018	02
MS24665-132	22-10-00-01	-236	02	MS24665-172	25-10-00-05	-086	04
MS24665-132	22-10-00-02	-012	02	MS24665-281	32-32-00-02	-036	01
MS24665-132	22-10-00-02A	-021	02	MS24665-281	52-10-00-01	-110	02
MS24665-132	25-10-00-02	-112	02	MS24665-281	52-10-00-02	-110	02
MS24665-132	25-10-00-03	-105	02	MS24665-285	22-10-00-01	-245	01
MS24665-132	25-21-00-01	-174	02	MS24665-285	22-10-00-02	-019	01
MS24665-132	27-10-00-03	-014B	02	MS24665-285	25-10-00-01	-085	01
MS24665-132	27-21-00-01	-005	02	MS24665-285	25-10-00-05	-017	02
MS24665-132	27-21-00-01	-014	01	MS24665-285	25-21-00-01	-008	02
MS24665-132	27-21-00-01	-079	02	MS24665-285	27-21-00-01	-003	01
MS24665-132	27-21-00-01	-085	01	MS24665-285	27-21-00-01	-003A	01
MS24665-132	27-50-00-02	-006	01	MS24665-285	27-21-00-01	-003B	02
MS24665-132	32-20-01-01	-039	01	MS24665-285	27-21-00-01	-003C	02
MS24665-132	32-20-01-01A	-084	01	MS24665-285	27-21-00-01	-077	01
MS24665-132	32-20-02-01	-005	02	MS24665-285	27-21-00-01	-077A	02
MS24665-132	32-32-00-02	-046	01	MS24665-285	27-30-00-01	-032	01
MS24665-132	32-32-00-02	-050	01	MS24665-285	27-30-01-01	-020	01
MS24665-132	52-10-00-01	-040	01	MS24665-287	27-50-00-01	-089	01
MS24665-132	52-10-00-01	-085	02	MS24665-353	27-30-01-01	-015	01
MS24665-132	52-10-00-02	-085	02	MS24665-355	27-10-00-03	-019	02
MS24665-132	52-10-02-01	-013	01	MS24665-357	27-20-00-01	-030	02
MS24665-132	52-10-02-01	-019	01	MS24665-362	32-10-00-01	-039	01
MS24665-132	52-30-00-01	-004	02	MS24665-362	32-11-00-01	-023	02
MS24665-132	55-20-00-01	-009	02	MS24665-5	27-10-00-01	-080	02
MS24665-132	76-10-00-01	-009	01	MS24665-5	27-10-00-01	-088	01
MS24665-132	76-11-00-01	-017	01	MS24679-63	25-21-00-01	-232	02
MS24665-134	22-10-00-02A	-010	02	MS24679-63	25-21-00-01	-232A	02
MS24665-134	27-10-00-03	-075B	02	MS24679-65	25-21-00-01	-228	01
MS24665-134	27-10-00-03	-157	02	MS24679-65	25-21-00-01	-228A	01
MS24665-134	27-10-00-03	-165	02	MS24693-BB26	34-53-00-03	-010	03
MS24665-134	27-10-00-03	-173	02	MS24693-BB26	34-53-00-03	-010A	03
MS24665-134	27-10-00-03	-181	02	MS24693-BB48	34-53-00-03	-007B	06
MS24665-134	27-20-00-01	-005	01	MS24693-BB48	34-53-00-03	-007C	06
MS24665-134	27-20-00-01	-011	01	MS24693-BB48	57-11-00-01	-009	18
MS24665-134	27-20-00-01	-015	01	MS24693-BB49	25-10-00-05	-090	02
MS24665-134	27-30-00-01	-012	02	MS24693-C273	34-40-01-01	-003	04
MS24665-134	27-30-00-01	-017	02	MS24693-S2	27-10-00-02	-007G	02
MS24665-134	27-30-01-01	-089	01	MS24693-S224	34-11-00-01	-040	04
MS24665-134	27-50-00-01	-078	02	MS24693-S26	22-10-00-01	-012	02

CESSNA AIRCRAFT COMPANY
MODEL 172 (SERIES 1996 AND ON)
 ILLUSTRATED PARTS CATALOG

PART NUMBER	CH SEC SUBJ FIG	ITEM	REQ	PART NUMBER	CH SEC SUBJ FIG	ITEM	REQ
MS24693-S26	22-10-00-01	-012A	02	MS24694-S60	22-10-00-01	-165B	01
MS24693-S26	34-50-01-02	-003	01	MS24694-S60	22-10-00-01	-165C	01
MS24693-S26	34-50-01-02	-003A	01	MS25082-20	27-10-00-02A	-020	01
MS24693-S26	53-22-00-01	-025	AR	MS25082-20	33-10-00-02	-005	01
MS24693-S26	53-22-00-01	-036	AR	MS25082-20	33-11-01-02	-005	01
MS24693-S27	22-10-00-01	-002	04	MS25082-20	33-11-01-03	-005	01
MS24693-S27	22-10-00-01A	-002	04	MS25083-2AB8	28-22-00-03	-009	01
MS24693-S27	22-10-00-01A	-005	02	MS25083-2AB8	28-22-00-03	-009A	01
MS24693-S27	23-20-00-01	-003	04	MS25083-2BB18	34-30-01-01	-009	01
MS24693-S27	23-50-00-01	-002	04	MS25083-2BB7	53-22-00-01	-020	01
MS24693-S27	31-00-00-01A	-021	01	MS25171-1S	33-11-01-01	-005	03
MS24693-S27	34-50-00-01	-003A	04	MS25171-1S	33-11-01-01	-006	03
MS24693-S27	34-50-00-01	-010	04	MS25171-1S	33-11-01-01	-007	01
MS24693-S27	34-50-01-01	-002	04	MS25171-1S	33-11-01-01	-008	01
MS24693-S27	34-50-01-02	-004	04	MS25171-1S	33-11-01-02	-009	01
MS24693-S27	34-50-02-01	-002	04	MS25171-1S	33-11-01-03	-010	01
MS24693-S27	34-51-00-01	-083	04	MS25231-1829	33-10-01-01	-001	01
MS24693-S27	34-52-00-01	-003	04	MS25243-4594	33-40-00-01	-050A	01
MS24693-S271	27-10-00-02	-036	01	MS25309-7512	33-40-00-02	-021	01
MS24693-S271	27-10-00-02A	-002	01	MS25309-7512	33-40-00-02	-021A	01
MS24693-S271	28-21-00-02	-003	03	MS26574-5	24-61-00-05	-013	01
MS24693-S28	22-10-00-01	-011	02	MS26574-5	24-61-00-05	-087	01
MS24693-S28	22-10-00-01A	-011	02	MS26574-5	24-61-00-06	-013	01
MS24693-S28	33-40-00-02	-009	05	MS26574-5	24-61-00-06	-087	01
MS24693-S28	33-40-00-02	-009A	05	MS26574-5	24-61-00-07	-013	01
MS24693-S28	53-22-00-01	-028	02	MS26574-5	24-61-00-08	-013	01
MS24693-S29	33-40-00-03	-016	03	MS26574-5	24-61-00-09	-013	01
MS24693-S29	34-50-01-02	-003B	01	MS26574-5	24-61-00-10	-013	01
MS24693-S29	34-50-01-02	-003C	01	MS26574-5	24-61-00-11	-013	01
MS24693-S29	53-22-00-01	-032	NP	MS26574-5	24-61-00-12	-016	01
MS24693-S29	53-22-00-01	-032A	02	MS26574-5	24-61-00-13	-021	01
MS24693-S30	28-21-00-01	-080	02	MS26574-5	24-61-00-14	-007	01
MS24693-S30	33-40-00-02	-011	01	MS26574-5	24-61-00-15	-007	01
MS24693-S30	33-40-00-02	-011A	01	MS27039-0805	27-30-01-01	-006	NP
MS24693-S32	33-40-00-02	-094	03	MS27039-0806	53-11-00-04	-016	02
MS24693-S32	33-40-00-02	-094A	03	MS27039-0807	52-10-00-01	-032	04
MS24693-S36	31-10-00-01	-004	02	MS27039-0807	52-10-00-02	-026	04
MS24693-S48	33-40-00-01	-034	16	MS27039-0808	34-53-00-04	-002	04
MS24693-S48	33-40-00-01A	-025	16	MS27039-0808	53-20-00-01	-036	03
MS24693-S48	57-40-00-03	-011	16	MS27039-0809	24-60-01-01	-002	04
MS24693-S52	33-43-00-02	-009	02	MS27039-0809	53-10-00-01	-112	14
MS24693BB48	34-53-00-03	-007	06	MS27039-0810	53-10-00-01	-086	08
MS24693BB48	34-53-00-03	-007A	06	MS27039-0812	22-10-00-01	-091	06
MS24693BB53	34-21-00-01	-005	01	MS27039-0812	23-10-00-01	-002	04
MS24694-C10	25-10-00-01	-015	02	MS27039-0812	23-10-00-01	-002A	04
MS24694-C10	25-10-00-05	-003A	02	MS27039-0813	25-10-00-03	-014	02
MS24694-C10	25-21-00-01	-011	02	MS27039-0813	25-10-00-03	-014A	02
MS24694-C52	71-10-00-02	-092	08	MS27039-0814	23-10-00-01	-002B	04
MS24694-C52	71-10-00-02	-092A	08	MS27039-0814	23-10-00-01	-002C	04
MS24694-C7	25-60-00-02	-002	04	MS27039-0815	25-10-00-03	-013	02
MS24694-C7	25-60-00-03	-007	04	MS27039-0815	25-10-00-03	-013A	02
MS24694-S101	25-10-00-02	-105	04	MS27039-0816	25-10-00-05	-096	02
MS24694-S101	25-10-00-03	-083	04	MS27039-0824	22-10-00-01	-271	02
MS24694-S101	25-10-00-03	-083A	04	MS27039-1-06	27-30-01-01	-086	01
MS24694-S12	55-20-00-01	-026	02	MS27039-1-07	28-21-00-01	-047	01
MS24694-S4	34-11-00-01	-076	02	MS27039-1-07	53-20-00-01	-324	02
MS24694-S59	22-10-00-01	-166	01	MS27039-1-08	57-60-00-01	-003	12
MS24694-S59	22-10-00-01	-166A	01	MS27039-1-09	32-10-00-01	-021	02
MS24694-S59	22-10-00-01	-166B	01	MS27039-1-10	27-10-00-02	-076B	01
MS24694-S59	22-10-00-01	-166C	01	MS27039-1-10	27-10-00-02	-076C	01
MS24694-S60	22-10-00-01	-165	01	MS27039-1-15	52-10-00-01	-092	03
MS24694-S60	22-10-00-01	-165A	01	MS27039-1-15	52-10-00-02	-092	03

CESSNA AIRCRAFT COMPANY
MODEL 172 (SERIES 1996 AND ON)
ILLUSTRATED PARTS CATALOG

PART NUMBER	CH SEC SUBJ FIG	ITEM	REQ	PART NUMBER	CH SEC SUBJ FIG	ITEM	REQ
MS27039-1-28	33-13-00-01	-093	02	MS33737-13	34-11-00-01	-020	03
MS27039-1-28	33-13-00-01A	-016	02	MS35058-22	31-10-00-01	-018	01
MS27039C0808	34-53-00-04	-004	04	MS35058-22	31-10-00-01	-019	01
MS27039C0810	25-60-00-02	-007	04	MS35058-22	31-10-00-01	-019A	01
MS27039C0810	25-60-00-03	-004	04	MS35058-22	31-10-00-01	-020	01
MS27039C0812	34-40-01-01	-006	04	MS35058-22	31-10-00-01	-020A	01
MS27380-3	28-10-01-01	-023	01	MS35058-22	31-10-00-01	-075	01
MS27380-3	28-10-01-01	-023A	01	MS35058-22	31-10-00-01	-076	01
MS27380-3	28-10-01-01	-023B	01	MS35058-22	31-10-00-01	-077	01
MS27380-3	28-10-01-01	-023C	01	MS35058-22	31-10-00-01	-078	01
MS27404-3D	22-10-00-01	-017	01	MS35058-22	31-10-00-01	-101	01
MS27404-3D	22-10-00-01	-017A	01	MS35058-22	31-10-00-01	-102	01
MS27407-1	31-10-00-01	-020B	01	MS35059-31	31-10-00-01	-079	01
MS27407-1	31-10-00-01	-020C	01	MS35190-230	25-60-00-01	-004	06
MS27645-4G	27-10-00-01	-010	01	MS35190-273	25-20-00-03	-020	01
MS28775-010	32-20-01-01	-012	01	MS35190-273	25-20-00-04	-020	01
MS28775-010	32-20-01-01A	-013	01	MS35190-273	25-20-00-05	-079	01
MS28775-011	32-20-02-01	-010	01	MS35190-273	25-20-00-06	-079	01
MS28775-011	32-20-02-01	-010A	01	MS35190-273	25-20-00-06	-079A	01
MS28775-011	32-20-02-01	-016	01	MS35190-273	52-10-00-01	-030	01
MS28775-011	32-20-02-01	-016A	01	MS35190-273	52-10-00-01	-030A	01
MS28775-110	32-32-01-01	-004	01	MS35190-273	52-10-00-02	-024	01
MS28775-134	34-40-01-01	-007	01	MS35190-273	52-10-00-02	-024A	01
MS28775-213	32-20-02-01	-017	01	MS35191-273	25-20-00-06	-079B	01
MS28775-213	32-20-02-01	-017A	01	MS35191-273	25-20-00-06	-079C	01
MS28775-221	32-20-01-01	-009	01	MS35191-273	52-10-00-01	-030B	01
MS28775-221	32-20-01-01A	-009	01	MS35191-273	52-10-00-01	-030C	01
MS28775-224	32-30-00-01	-026	01	MS35191-273	52-10-00-02	-024B	01
MS28775-225	32-20-01-01	-015	01	MS35191-273	52-10-00-02	-024C	01
MS28775-225	32-20-01-01A	-020	01	MS35199-14	34-21-00-01	-003	02
MS28775-228	32-20-01-01	-024	01	MS35202-41	25-10-00-02	-011	02
MS28775-228	32-20-01-01A	-029	01	MS35202-41	25-10-00-03	-020	02
MS28775-329	32-20-01-01	-023	01	MS35202-41	25-10-00-03	-031	02
MS28775-329	32-20-01-01A	-028	01	MS35206-202	22-10-00-01	-096	04
MS28778-3	32-32-00-01	-005	01	MS35206-202	22-10-00-01	-178	04
MS28778-3	73-30-00-01	-002	01	MS35206-215	33-40-00-02	-080	02
MS28778-3	79-30-00-01	-002	01	MS35206-215	33-40-00-03	-076	02
MS3367-1-9	21-20-00-01	-002	04	MS35206-216	31-10-00-01	-012	01
MS3367-1-9	21-20-00-01	-011	04	MS35206-216	31-10-00-01	-096	02
MS3367-1-9	24-34-00-01	-006	02	MS35206-216	33-13-00-01	-097	01
MS3367-1-9	24-34-00-01	-010	01	MS35206-216	33-13-00-01A	-021	01
MS3367-1-9	25-60-00-01	-006A	01	MS35206-219	27-50-00-02	-080	02
MS3367-1-9	27-50-00-02	-105	01	MS35206-219	27-50-00-02	-081	01
MS3367-1-9	32-32-00-01	-030	01	MS35206-221	27-50-00-02	-082	01
MS3367-1-9	37-10-00-02	-027	01	MS35206-225	21-21-00-01A	-007	04
MS3367-1-9	37-10-00-03	-022	01	MS35206-226	21-40-00-01	-030A	02
MS3367-2-9	21-20-00-01	-021	02	MS35206-226	24-61-00-01	-034	02
MS3367-2-9	21-40-00-01	-032	02	MS35206-226	24-61-00-01A	-033	01
MS3367-2-9	24-61-00-01B	-085	02	MS35206-226	24-61-00-02	-012	01
MS3367-2-9	34-11-00-01	-005	01	MS35206-226	24-61-00-02	-086	01
MS3367-2-9	34-11-00-01	-012	01	MS35206-226	24-61-00-03	-015	02
MS3367-2-9	34-11-00-01	-021	01	MS35206-226	24-61-00-03A	-016	02
MS3367-2-9	37-10-00-01	-022	01	MS35206-226	24-61-00-03A	-090	02
MS3367-2-9	37-10-00-01	-022A	01	MS35206-226	24-61-00-04	-017	02
MS3367-5-0	21-21-00-01A	-009	02	MS35206-226	24-61-00-04	-090	02
MS3367-5-0	25-10-03-01A	-028	AR	MS35206-226	24-61-00-05	-017	02
MS3367-5-0	25-21-01-01A	-027	AR	MS35206-226	24-61-00-05	-091	03
MS3367-7-0	25-21-01-01A	-028	AR	MS35206-226	24-61-00-06	-017	03
MS3367-7-9	21-20-00-01	-098	02	MS35206-226	24-61-00-06	-091	03
MS3367-7-9	21-20-00-01	-098A	02	MS35206-226	24-61-00-07	-017	03
MS33737-13	34-11-00-01	-004	03	MS35206-226	24-61-00-08	-016	03
MS33737-13	34-11-00-01	-013	03	MS35206-226	24-61-00-09	-017	03

CESSNA AIRCRAFT COMPANY
MODEL 172 (SERIES 1996 AND ON)
 ILLUSTRATED PARTS CATALOG

PART NUMBER	CH SEC SUBJ FIG	ITEM	REQ	PART NUMBER	CH SEC SUBJ FIG	ITEM	REQ
MS35206-226	24-61-00-10	-018	03	MS35206-250	25-20-00-04	-016	03
MS35206-226	24-61-00-11	-017	03	MS35206-250	25-20-00-05	-081	03
MS35206-226	24-61-00-12	-019	03	MS35206-250	25-20-00-05	-081A	03
MS35206-226	24-61-00-13	-020	04	MS35206-250	25-20-00-05	-081B	03
MS35206-226	24-61-00-14	-019	04	MS35206-250	25-20-00-05	-081C	03
MS35206-226	24-61-00-15	-019	04	MS35206-250	25-20-00-06	-081	03
MS35206-227	31-10-00-01	-094	02	MS35206-261	27-21-00-01	-035	04
MS35206-228	22-10-00-01	-006	02	MS35206-262	37-10-00-07	-031B	01
MS35206-228	22-10-00-01	-006A	02	MS35206-262	37-10-00-07	-031C	01
MS35206-228	32-11-00-01	-021	03	MS35206-263	34-50-00-01	-079	02
MS35206-228	33-10-01-01	-003	03	MS35206-263	37-10-00-07	-031	01
MS35206-228	33-40-00-01B	-009	06	MS35206-263	37-10-00-07	-031A	01
MS35206-229	22-10-00-01	-005	02	MS35206-264	27-21-00-01	-036	04
MS35206-229	22-10-00-01A	-008	02	MS35206-266	27-21-00-01	-037	01
MS35206-229	27-10-00-03	-105	02	MS35206-272	28-22-00-03	-003D	05
MS35206-229	34-53-00-02	-003	08	MS35206-272	28-22-00-03	-003E	05
MS35206-230	25-60-00-01	-002	05	MS35207-259	25-10-00-02	-015	02
MS35206-232	25-21-00-01	-151	01	MS35207-259	25-10-00-05	-087	04
MS35206-241	24-61-00-01	-035	02	MS35207-259	25-10-03-01A	-029	02
MS35206-241	24-61-00-01A	-034	01	MS35207-259	25-21-01-01A	-025	02
MS35206-241	32-10-00-01	-033	03	MS35207-260	34-30-01-01	-004	04
MS35206-241	32-20-00-01	-026	03	MS35207-261	23-50-00-01	-006	04
MS35206-243	23-60-00-01	-005	01	MS35207-261	24-61-00-01A	-035	01
MS35206-243	23-60-00-01	-008	01	MS35207-261	24-61-00-01B	-006	08
MS35206-243	23-60-00-01	-008A	01	MS35207-261	33-13-00-01	-080	04
MS35206-243	25-10-00-03	-010	01	MS35207-261	33-13-00-01	-080A	04
MS35206-243	25-10-00-03	-010A	01	MS35207-261	33-13-00-01	-080B	02
MS35206-243	53-22-00-01	-021	01	MS35207-261	33-13-00-01	-080C	02
MS35206-244	24-60-00-01	-020	01	MS35207-261	33-13-00-01A	-002	02
MS35206-244	25-10-00-02	-017	06	MS35207-261	34-50-00-01	-082	02
MS35206-244	25-10-00-03	-007	02	MS35207-261	52-10-00-01	-100	01
MS35206-244	25-10-00-03	-007A	02	MS35207-261	52-10-00-02	-100	01
MS35206-244	34-50-03-01	-003	04	MS35207-261	53-10-00-01	-078	01
MS35206-244	53-10-00-02	-024	01	MS35207-262	24-20-00-01	-012	03
MS35206-245	09-10-00-01	-003D	01	MS35207-262	33-40-00-02	-089	04
MS35206-245	09-10-00-01	-003E	01	MS35207-262	33-40-00-03	-002	04
MS35206-245	21-21-00-01A	-002	03	MS35207-262	53-10-00-04	-011	04
MS35206-245	24-60-01-01	-003	04	MS35207-262	53-10-00-04	-017	02
MS35206-245	25-20-10-02	-042	AR	MS35207-262	53-10-00-04	-019	02
MS35206-245	25-20-10-03	-031	02	MS35207-262	53-10-00-04	-021	02
MS35206-245	25-60-01-01	-002	03	MS35207-262	53-20-00-01	-253	01
MS35206-245	27-30-01-02	-012	02	MS35207-263	23-30-00-01	-005	04
MS35206-245	33-43-00-01	-002	02	MS35207-263	23-60-00-01	-010B	01
MS35206-245	34-13-00-01	-002	06	MS35207-263	23-60-00-01	-010C	01
MS35206-245	34-30-01-01	-003	07	MS35207-263	25-10-00-02	-082	01
MS35206-245	52-30-00-01	-014	01	MS35207-263	25-10-00-03	-087	01
MS35206-245	53-10-00-02	-180	01	MS35207-263	25-10-03-01A	-023	01
MS35206-245	53-10-00-02	-197	AR	MS35207-263	26-10-00-01	-003	04
MS35206-245	57-10-03-01	-015	03	MS35207-263	27-30-01-02	-003	04
MS35206-245	57-10-03-01	-019	14	MS35207-263	28-21-00-01	-012	02
MS35206-245	71-10-00-01	-027	02	MS35207-263	28-21-00-01	-015	01
MS35206-245	71-10-00-02	-021	02	MS35207-263	28-21-00-01	-082	02
MS35206-246	53-10-01-01	-015	02	MS35207-263	28-21-00-01	-174	01
MS35206-246	53-10-01-01A	-011	02	MS35207-263	28-22-00-01	-002	03
MS35206-248	21-21-00-01	-002	03	MS35207-263	34-23-00-01	-003	05
MS35206-248	33-40-00-01B	-007	03	MS35207-263	53-21-00-01	-007	01
MS35206-249	34-40-00-01	-002	06	MS35207-263	71-70-00-01	-012	01
MS35206-249	34-40-00-01	-002A	06	MS35207-263	71-70-00-01	-017	01
MS35206-24S	71-11-00-01	-163	03	MS35207-263	73-30-00-01	-011	01
MS35206-250	25-20-00-01	-004B	03	MS35207-263	73-30-00-01	-011A	01
MS35206-250	25-20-00-02	-016B	03	MS35207-263	73-30-00-01	-026	01
MS35206-250	25-20-00-03	-016	03	MS35207-263	76-11-00-01	-021	01

CESSNA AIRCRAFT COMPANY
MODEL 172 (SERIES 1996 AND ON)
ILLUSTRATED PARTS CATALOG

PART NUMBER	CH SEC SUBJ FIG	ITEM	REQ	PART NUMBER	CH SEC SUBJ FIG	ITEM	REQ
MS35207-263	79-30-00-01	-009	01	MS35489-10	28-21-00-01	-034	01
MS35207-263	80-10-00-01	-005	01	MS35489-10	28-21-00-01	-034A	01
MS35207-264	28-21-00-01	-040	01	MS35489-10	53-10-00-02	-193	01
MS35207-264	37-10-00-04	-029	02	MS35489-11	57-10-02-01	-232	01
MS35207-264	37-10-00-05	-036	02	MS35489-118	53-10-00-01	-016	02
MS35207-264	37-10-00-06	-031	02	MS35489-12	25-10-03-01A	-027	02
MS35207-264	37-10-00-07	-017	02	MS35489-134	33-44-00-01	-011	01
MS35207-264	71-70-00-01	-012A	01	MS35489-144	27-10-00-02	-028	02
MS35207-264	73-30-00-01	-012	01	MS35489-15	71-11-00-01	-010B	01
MS35207-264	73-30-00-01	-013	01	MS35489-15	71-11-00-01	-010C	01
MS35207-264	79-20-00-01	-014	01	MS35489-15	71-11-00-01	-024A	01
MS35207-265	32-21-00-01	-013	03	MS35489-15	71-11-00-01	-024B	01
MS35207-269	21-40-00-01	-013C	01	MS35489-16	28-21-00-01	-109	01
MS35207-270	34-50-00-01	-076	02	MS35489-18	71-11-00-01	-010	01
MS35214-12	33-10-01-02	-010	02	MS35489-18	71-11-00-01	-010A	01
MS35214-23	34-53-00-03	-011	03	MS35489-18	71-11-00-01	-024	01
MS35214-23	34-53-00-03	-011A	03	MS35489-22	71-11-00-01	-169	01
MS35214-29	53-10-00-02	-170	03	MS35489-33	34-21-00-01	-008	01
MS35276-284	34-50-01-01	-007	02	MS35489-36	32-32-00-01	-016	01
MS35333-36	27-50-00-01	-040	02	MS35489-9	28-21-00-01	-034B	01
MS35333-36	52-10-02-01	-006	02	MS35489-9	28-21-00-01	-034C	01
MS35333-37	21-40-00-01	-031	02	MS35489-9	34-11-00-01	-081A	04
MS35333-37	33-13-00-01	-090	01	MS35489-9	34-11-00-01	-081B	04
MS35333-37	33-13-00-01A	-013	01	MS35649-262	33-13-00-01	-091	01
MS35333-38	32-10-00-01	-035	03	MS35649-262	33-13-00-01A	-014	01
MS35333-38	32-20-00-01	-027	03	MS35649-264	28-22-00-03	-011	01
MS35333-38	34-50-02-01	-006	02	MS35649-265B	31-30-00-01	-003	02
MS35333-38	52-10-00-01	-088	04	MS35649-282	34-50-02-01	-007	02
MS35333-39	24-61-00-01	-025	01	MS35650-305T	24-61-00-01	-026	01
MS35333-39	24-61-00-01A	-024	01	MS35650-305T	24-61-00-01A	-025	01
MS35333-39	24-61-00-01A	-037	01	MS35650-305T	24-61-00-01A	-038	01
MS35333-39	24-61-00-01B	-005	12	MS35650-305T	24-61-00-01B	-003	12
MS35333-39	27-10-00-02	-037	01	MS51862-24C	52-10-02-01	-003	04
MS35333-39	27-10-00-02A	-003	01	MS51957-14	33-43-00-02	-003	02
MS35333-39	28-21-00-01	-094	02	MS51957-28	33-40-00-02	-103B	05
MS35333-39	28-22-00-03	-004	05	MS51957-28	33-40-00-02	-103C	05
MS35333-39	33-40-00-02	-075	08	MS51957-28	33-40-00-03	-021	05
MS35333-39	33-40-00-02	-075A	08	MS51957-29	34-53-00-03	-008	03
MS35333-40	37-10-00-01	-025	04	MS51957-29	34-53-00-03	-008A	03
MS35333-40	37-10-00-02	-030	04	MS51957-30	33-40-00-02	-103	05
MS35333-40	37-10-00-03	-025	04	MS51957-30	33-40-00-02	-103A	05
MS35333-40	71-11-00-01	-003	01	MS51957-31	33-43-00-01	-006	01
MS35333-40	71-11-00-01	-077	02	MS51957-32	33-40-00-02	-106	02
MS35333-40	71-11-00-01	-089	02	MS51957-32	33-40-00-02	-106A	02
MS35333-40	71-11-00-01	-098	02	MS51957-32	33-40-00-03	-023	02
MS35333-40	71-11-00-01	-107	02	MS51957-45	61-10-00-01	-006A	14
MS35333-40	71-11-00-01	-158	02	MS51957-47	34-51-00-01	-002	04
MS35333-42	27-50-00-02	-002	02	MS51957-47	34-51-00-01	-012	04
MS35333-42	33-10-00-02	-004B	01	MW-3M-53	76-10-00-01	-002A	01
MS35333-42	33-10-00-02	-004C	01	MW-3M-53	76-11-00-01	-011	01
MS35333-42	33-11-01-02	-003	02	N	11-00-00-01	-001	AR
MS35333-42	33-11-01-03	-003	01	N52-0007	24-60-00-01	-017	01
MS35333-48	28-21-00-01	-089	01	N6-2	27-10-00-01	-093	01
MS35333-71	28-22-00-03	-010	01	N6-2	27-10-00-01	-104	01
MS35335-1	52-10-00-02	-088	04	N6-2	27-10-00-01	-104A	01
MS35338-41	33-40-00-01B	-010	06	NAS1023N3	55-10-00-01	-090A	02
MS35338-42	23-10-00-01	-003	04	NAS1054-8-10	53-11-00-03	-020	08
MS35338-42	23-10-00-01	-003A	04	NAS1054-8-8	53-11-00-03	-014	09
MS35338-42	25-60-01-01	-002A	03	NAS1054-8-8	53-11-00-03	-018	08
MS35338-43	34-30-01-01	-005	04	NAS1054-8-9	53-11-00-03	-004	10
MS35478-307	33-40-00-02	-085	01	NAS1090-3	28-10-01-01	-021	02
MS35478-307	33-40-00-03	-081	01	NAS1090-3	28-10-01-01	-021A	02

CESSNA AIRCRAFT COMPANY
MODEL 172 (SERIES 1996 AND ON)
 ILLUSTRATED PARTS CATALOG

PART NUMBER	CH SEC SUBJ FIG	ITEM	REQ	PART NUMBER	CH SEC SUBJ FIG	ITEM	REQ
NAS1103-14	25-10-00-04	-011	01	NAS1149DN416J	33-40-00-02	-077A	02
NAS1103-14	25-10-00-04	-024	02	NAS1149DN416K	71-10-00-01	-032	07
NAS1103-4D	22-10-00-01	-233	02	NAS1149DN416K	71-10-00-02	-016	07
NAS1149C0316B	22-10-00-03	-021	06	NAS1149DN432H	27-50-00-02	-083	02
NAS1149C0316R	22-10-00-01	-167	02	NAS1149DN432J	23-60-00-01	-001F	AR
NAS1149C0332R	24-60-00-01	-003	04	NAS1149DN432K	21-40-00-01	-017C	03
NAS1149C0332R	76-10-00-01	-007	01	NAS1149DN432K	32-32-00-01	-029	01
NAS1149C0332R	76-11-00-01	-013	01	NAS1149DN432K	52-30-00-01	-003	02
NAS1149C0332R	79-20-00-01	-005A	AR	NAS1149DN616J	53-22-00-01	-029	02
NAS1149C0332R	79-20-00-01	-005B	AR	NAS1149DN616K	25-21-00-01	-153	02
NAS1149C0363R	76-10-00-01	-006	02	NAS1149DN616K	27-10-00-01	-078	02
NAS1149C0363R	76-11-00-01	-014	02	NAS1149DN616K	27-10-00-01	-086	01
NAS1149C0363R	79-20-00-01	-004A	12	NAS1149DN616K	34-53-00-02	-004	08
NAS1149C0363R	79-20-00-01	-004B	12	NAS1149DN816J	53-22-00-01	-022	02
NAS1149C0632R	24-60-00-01	-022	01	NAS1149DN816K	34-53-00-03	-009	03
NAS1149C1232R	28-21-00-01	-006	01	NAS1149DN816K	34-53-00-03	-009A	03
NAS1149C1290R	28-21-00-01	-006A	02	NAS1149F0316P	22-10-00-03	-017B	01
NAS1149CN616R	22-10-00-01	-007	02	NAS1149F0316P	27-10-00-02	-078B	01
NAS1149CN616R	22-10-00-01	-007A	02	NAS1149F0316P	27-10-00-02	-078C	01
NAS1149CN616R	22-10-00-01	-013	02	NAS1149F0316P	27-10-00-03	-091	AR
NAS1149CN616R	22-10-00-01	-013A	02	NAS1149F0316P	28-21-00-01	-023	01
NAS1149CN616R	53-22-00-01	-026	AR	NAS1149F0316P	32-32-00-02	-008	01
NAS1149CN616R	53-22-00-01	-037	AR	NAS1149F0316P	32-32-00-02	-008A	01
NAS1149CN632R	33-40-00-02	-107	02	NAS1149F0332P	21-20-00-01	-024	01
NAS1149CN632R	33-40-00-02	-107A	02	NAS1149F0332P	21-20-00-01	-024A	02
NAS1149CN632R	33-40-00-03	-024	02	NAS1149F0332P	21-20-00-01	-024B	02
NAS1149CN816B	22-10-00-01	-092	06	NAS1149F0332P	21-21-00-02	-008	04
NAS1149CN832R	25-60-00-02	-008	04	NAS1149F0332P	21-40-00-01	-010	01
NAS1149CN832R	25-60-00-03	-005	04	NAS1149F0332P	21-40-00-01	-013D	02
NAS1149CN832R	56-30-00-01	-016	01	NAS1149F0332P	22-10-00-01	-160	01
NAS1149D0316H	27-10-00-02	-078	02	NAS1149F0332P	22-10-00-01	-234	02
NAS1149D0316H	27-10-00-02	-078A	02	NAS1149F0332P	22-10-00-02	-006	02
NAS1149D0316H	53-10-02-01	-005	06	NAS1149F0332P	22-10-00-02	-013	02
NAS1149D0316H	53-10-02-01	-011	02	NAS1149F0332P	22-10-00-02A	-002	02
NAS1149D0316K	27-10-00-01	-101	01	NAS1149F0332P	22-10-00-02A	-013	02
NAS1149D0332K	71-70-00-01	-013	01	NAS1149F0332P	22-10-00-03	-010	02
NAS1149D0332K	71-70-00-01	-018	01	NAS1149F0332P	22-10-00-03	-017	01
NAS1149D0332K	73-30-00-01	-014	02	NAS1149F0332P	24-20-00-01	-013	06
NAS1149D0332K	73-30-00-01	-027	02	NAS1149F0332P	24-34-00-02	-008	03
NAS1149D0332K	79-30-00-01	-010	02	NAS1149F0332P	24-61-00-01A	-036	02
NAS1149D0416H	27-10-00-01	-095	01	NAS1149F0332P	24-61-00-01B	-004	16
NAS1149D0416H	27-10-00-01	-105	01	NAS1149F0332P	25-10-00-02	-083	01
NAS1149D0416H	27-10-00-01	-105A	01	NAS1149F0332P	25-10-00-02	-100	01
NAS1149D0432K	55-40-00-01	-004	02	NAS1149F0332P	25-10-00-03	-088	01
NAS1149D0463H	27-50-00-01	-007	02	NAS1149F0332P	25-10-00-03	-113	01
NAS1149D0463K	27-10-00-01	-097	02	NAS1149F0332P	25-10-00-04	-013	04
NAS1149D0463K	27-10-00-01	-108	02	NAS1149F0332P	25-10-00-04	-022	04
NAS1149D0463K	27-10-00-01	-108A	02	NAS1149F0332P	25-10-03-01A	-021	04
NAS1149D0516H	52-10-00-01	-109	01	NAS1149F0332P	25-21-00-01	-231	04
NAS1149D0516H	52-10-00-02	-109	01	NAS1149F0332P	25-21-01-01A	-023	04
NAS1149D0816H	27-10-00-01	-037	AR	NAS1149F0332P	25-21-01-01A	-023A	04
NAS1149DN216H	71-10-00-01	-037	16	NAS1149F0332P	27-10-00-02	-005	04
NAS1149DN216H	71-10-00-02	-028	56	NAS1149F0332P	27-10-00-02	-019	01
NAS1149DN216H	71-11-00-01	-012A	AR	NAS1149F0332P	27-10-00-02	-023	01
NAS1149DN216H	71-11-00-01	-012B	AR	NAS1149F0332P	27-10-00-02	-082	02
NAS1149DN216H	71-11-00-01	-017	AR	NAS1149F0332P	27-10-00-02	-082A	02
NAS1149DN216H	71-11-00-01	-017A	AR	NAS1149F0332P	27-10-00-02A	-026	01
NAS1149DN232K	21-40-00-01	-021A	02	NAS1149F0332P	27-10-00-02A	-032	01
NAS1149DN416H	55-10-00-01	-038	02	NAS1149F0332P	27-10-00-02A	-035	04
NAS1149DN416H	55-10-00-01	-038A	02	NAS1149F0332P	27-10-00-03	-087	01
NAS1149DN416H	71-11-00-01	-012C	AR	NAS1149F0332P	27-10-00-03	-089	AR
NAS1149DN416J	33-40-00-02	-077	02	NAS1149F0332P	27-10-00-03	-098	AR

CESSNA AIRCRAFT COMPANY
MODEL 172 (SERIES 1996 AND ON)
ILLUSTRATED PARTS CATALOG

PART NUMBER	CH SEC SUBJ FIG	ITEM	REQ	PART NUMBER	CH SEC SUBJ FIG	ITEM	REQ
NAS1149F0332P	27-30-01-01	-019	01	NAS1149F0363P	25-20-00-06	-082	AR
NAS1149F0332P	27-50-00-02	-005	01	NAS1149F0363P	25-21-00-01	-002	10
NAS1149F0332P	27-50-00-02	-016	01	NAS1149F0363P	25-21-01-01	-016	03
NAS1149F0332P	27-50-00-02	-100	01	NAS1149F0363P	25-21-01-01	-016A	03
NAS1149F0332P	28-21-00-01	-003	04	NAS1149F0363P	25-21-01-01	-016B	04
NAS1149F0332P	28-21-00-01	-013	02	NAS1149F0363P	25-21-01-01	-016C	04
NAS1149F0332P	28-21-00-01	-016	01	NAS1149F0363P	25-21-01-01	-016D	03
NAS1149F0332P	28-21-00-01	-042	01	NAS1149F0363P	25-21-01-01	-016E	03
NAS1149F0332P	28-21-00-01	-049	01	NAS1149F0363P	25-21-01-01A	-023B	04
NAS1149F0332P	28-22-00-01	-003	03	NAS1149F0363P	25-21-01-01A	-023C	04
NAS1149F0332P	28-22-00-03	-005	05	NAS1149F0363P	27-10-00-01	-021	01
NAS1149F0332P	28-22-00-03	-005A	05	NAS1149F0363P	27-10-00-03	-179	02
NAS1149F0332P	32-20-01-01	-040	01	NAS1149F0363P	27-10-00-03	-186	02
NAS1149F0332P	32-20-01-01A	-085	01	NAS1149F0363P	27-21-00-01	-010	01
NAS1149F0332P	32-20-02-01	-007	01	NAS1149F0363P	27-21-00-01	-021	02
NAS1149F0332P	32-32-00-02	-032	01	NAS1149F0363P	27-21-00-01	-089	01
NAS1149F0332P	34-11-00-01	-098	01	NAS1149F0363P	27-50-00-01	-013	05
NAS1149F0332P	37-10-00-04	-030	04	NAS1149F0363P	27-50-00-01	-025	02
NAS1149F0332P	37-10-00-05	-037	04	NAS1149F0363P	27-50-00-01	-084	01
NAS1149F0332P	37-10-00-06	-032	04	NAS1149F0363P	27-50-00-02	-095	01
NAS1149F0332P	37-10-00-07	-018	04	NAS1149F0363P	28-21-00-01	-023A	01
NAS1149F0332P	53-00-00-01	-009	02	NAS1149F0363P	28-21-00-01	-083	02
NAS1149F0332P	53-11-00-02	-011	03	NAS1149F0363P	28-21-00-01	-175	01
NAS1149F0332P	53-11-00-02	-016	01	NAS1149F0363P	32-11-00-01	-035	06
NAS1149F0332P	53-20-00-01	-161	08	NAS1149F0363P	32-21-00-01	-014	06
NAS1149F0332P	53-20-00-01	-161A	08	NAS1149F0363P	33-40-00-01	-023	AR
NAS1149F0332P	53-21-00-01	-009	01	NAS1149F0363P	33-40-00-01	-024	AR
NAS1149F0332P	55-20-00-01	-007	04	NAS1149F0363P	33-40-00-01	-056	AR
NAS1149F0332P	55-40-00-01	-037	02	NAS1149F0363P	33-40-00-01A	-008	AR
NAS1149F0332P	76-10-00-01	-013	02	NAS1149F0363P	53-10-00-01	-079	01
NAS1149F0332P	76-10-00-01	-020	04	NAS1149F0363P	53-10-00-02	-153	01
NAS1149F0332P	76-11-00-01	-022	01	NAS1149F0363P	53-10-00-03	-011	02
NAS1149F0332P	79-20-00-01	-005	AR	NAS1149F0363P	53-11-00-02	-010	03
NAS1149F0332P	79-20-00-01	-015	01	NAS1149F0363P	53-11-00-02	-015	01
NAS1149F0332P	80-10-00-01	-006	01	NAS1149F0363P	53-11-00-02	-035	04
NAS1149F0363P	21-20-00-01	-025	01	NAS1149F0363P	71-11-00-01	-007	01
NAS1149F0363P	21-20-00-01	-025A	02	NAS1149F0363P	71-11-00-01	-119	AR
NAS1149F0363P	22-10-00-01	-077	04	NAS1149F0363P	71-20-00-01	-027	01
NAS1149F0363P	22-10-00-01	-152	02	NAS1149F0363P	71-20-00-02	-023	01
NAS1149F0363P	22-10-00-01	-156	01	NAS1149F0363P	71-20-00-03	-024	01
NAS1149F0363P	22-10-00-01	-173	01	NAS1149F0363P	71-20-00-03	-024A	01
NAS1149F0363P	22-10-00-01	-176	01	NAS1149F0363P	76-11-00-01	-004	02
NAS1149F0363P	22-10-00-01	-227	02	NAS1149F0363P	79-20-00-01	-004	08
NAS1149F0363P	22-10-00-01	-230	02	NAS1149F0416P	22-10-00-01	-242	01
NAS1149F0363P	22-10-00-02	-007	04	NAS1149F0416P	22-10-00-02	-017	01
NAS1149F0363P	22-10-00-02A	-014	04	NAS1149F0416P	25-21-01-01	-004	02
NAS1149F0363P	22-10-00-02A	-019	10	NAS1149F0416P	25-21-01-01A	-008	02
NAS1149F0363P	22-10-00-03	-010A	04	NAS1149F0416P	27-10-00-03	-017	02
NAS1149F0363P	22-10-00-03	-013	02	NAS1149F0416P	27-10-00-03	-099	AR
NAS1149F0363P	22-10-00-03	-017A	03	NAS1149F0416P	27-20-00-01	-028	01
NAS1149F0363P	25-10-00-02	-111	02	NAS1149F0416P	27-50-00-02	-012	01
NAS1149F0363P	25-10-00-03	-104	02	NAS1149F0432P	25-10-00-02	-025	04
NAS1149F0363P	25-10-03-01	-014	04	NAS1149F0432P	27-10-00-01	-005	02
NAS1149F0363P	25-10-03-01	-014A	04	NAS1149F0432P	27-10-00-03	-084	01
NAS1149F0363P	25-10-03-01	-014B	08	NAS1149F0432P	27-10-00-03	-095	AR
NAS1149F0363P	25-10-03-01	-014C	08	NAS1149F0432P	27-20-00-01	-009	AR
NAS1149F0363P	25-10-03-01A	-009	08	NAS1149F0432P	27-30-00-01	-003	01
NAS1149F0363P	25-20-00-01	-004C	03	NAS1149F0432P	32-20-01-01	-036	AR
NAS1149F0363P	25-20-00-02	-016C	03	NAS1149F0432P	32-20-01-01	-053	AR
NAS1149F0363P	25-20-00-03	-017	AR	NAS1149F0432P	32-20-01-01A	-081	AR
NAS1149F0363P	25-20-00-04	-017	AR	NAS1149F0432P	32-20-01-01A	-100	AR
NAS1149F0363P	25-20-00-05	-082	AR	NAS1149F0432P	32-21-00-01	-022	AR

CESSNA AIRCRAFT COMPANY
MODEL 172 (SERIES 1996 AND ON)
 ILLUSTRATED PARTS CATALOG

PART NUMBER	CH SEC SUBJ FIG	ITEM	REQ	PART NUMBER	CH SEC SUBJ FIG	ITEM	REQ
NAS1149F0432P	37-10-00-01	-024	04	NAS1149F0463P	71-11-00-01	-078	02
NAS1149F0432P	37-10-00-02	-029	04	NAS1149F0463P	71-11-00-01	-080	02
NAS1149F0432P	37-10-00-03	-024	04	NAS1149F0463P	71-11-00-01	-090	02
NAS1149F0432P	53-10-02-01	-014	02	NAS1149F0463P	71-11-00-01	-099	02
NAS1149F0432P	76-10-00-01	-016	01	NAS1149F0463P	71-11-00-01	-108	02
NAS1149F0432P	76-11-00-01	-008	02	NAS1149F0463P	71-11-00-01	-110	02
NAS1149F0463P	24-34-00-01	-003	02	NAS1149F0463P	71-11-00-01	-159	02
NAS1149F0463P	25-10-00-02	-007	08	NAS1149F0463P	71-20-00-01	-032	02
NAS1149F0463P	25-10-00-02	-024	06	NAS1149F0463P	71-20-00-02	-028	02
NAS1149F0463P	25-10-00-02	-096	04	NAS1149F0463P	71-20-00-03	-029	02
NAS1149F0463P	25-10-00-03	-024	02	NAS1149F0463P	71-60-00-01	-013	02
NAS1149F0463P	25-10-00-03	-027	04	NAS1149F0532P	25-10-00-05	-011	01
NAS1149F0463P	25-10-00-03	-027A	04	NAS1149F0532P	25-10-03-01	-006	01
NAS1149F0463P	25-10-00-03	-027B	06	NAS1149F0532P	25-10-03-01	-006A	01
NAS1149F0463P	25-10-00-03	-027C	06	NAS1149F0532P	25-10-03-01	-006B	02
NAS1149F0463P	25-10-00-03	-036	02	NAS1149F0532P	32-10-00-01	-030	04
NAS1149F0463P	25-10-00-03	-038	02	NAS1149F0532P	55-10-00-01	-004	02
NAS1149F0463P	25-10-00-03	-041	03	NAS1149F0532P	55-10-00-01	-005	04
NAS1149F0463P	25-10-00-03	-110	04	NAS1149F0532P	55-30-00-01	-004	02
NAS1149F0463P	25-10-00-04	-005	02	NAS1149F0563P	25-10-00-05	-010	04
NAS1149F0463P	25-10-00-04	-016	02	NAS1149F0563P	25-10-03-01	-005	04
NAS1149F0463P	25-10-00-05	-006	05	NAS1149F0563P	25-10-03-01	-005A	04
NAS1149F0463P	25-10-00-05	-078	04	NAS1149F0563P	25-10-03-01	-005B	08
NAS1149F0463P	25-10-00-05	-084	08	NAS1149F0563P	25-10-03-01A	-006	04
NAS1149F0463P	25-10-00-05	-093	01	NAS1149F0563P	25-21-01-01	-007	04
NAS1149F0463P	25-10-00-05	-107	01	NAS1149F0563P	25-21-01-01	-007A	04
NAS1149F0463P	25-10-03-01	-004	04	NAS1149F0563P	25-21-01-01	-019	04
NAS1149F0463P	25-10-03-01	-004A	04	NAS1149F0563P	25-21-01-01A	-006	04
NAS1149F0463P	25-10-03-01	-004B	02	NAS1149F0563P	25-21-01-01A	-013	01
NAS1149F0463P	25-10-03-01	-004C	02	NAS1149F0563P	27-30-00-01	-030	01
NAS1149F0463P	25-10-03-01	-004D	04	NAS1149F0563P	32-20-00-01	-006	02
NAS1149F0463P	25-10-03-01	-004E	04	NAS1149F0563P	55-10-00-01	-003	02
NAS1149F0463P	25-10-03-01	-004F	04	NAS1149F0563P	55-10-00-01	-003A	02
NAS1149F0463P	25-10-03-01	-020	04	NAS1149F0563P	55-30-00-01	-003	02
NAS1149F0463P	25-10-03-01A	-004	04	NAS1149F0563P	57-10-01-01	-010	03
NAS1149F0463P	25-10-03-01A	-037	04	NAS1149F0563P	57-10-03-01	-012	01
NAS1149F0463P	25-20-00-01	-004D	03	NAS1149F0616P	25-10-00-02	-081	01
NAS1149F0463P	25-20-00-02	-016D	03	NAS1149F0616P	33-11-01-02	-004	02
NAS1149F0463P	25-20-00-03	-018	AR	NAS1149F0616P	73-30-00-01	-004	02
NAS1149F0463P	25-20-00-04	-018	AR	NAS1149F0616P	79-30-00-01	-004	02
NAS1149F0463P	25-20-00-05	-082A	AR	NAS1149F0632P	25-21-00-01	-166	02
NAS1149F0463P	25-20-00-06	-083	AR	NAS1149F0632P	25-21-00-01	-166A	02
NAS1149F0463P	25-21-00-01	-227	02	NAS1149F0632P	25-21-00-01	-178	01
NAS1149F0463P	25-21-01-01	-008	02	NAS1149F0632P	32-11-00-01	-025	02
NAS1149F0463P	25-21-01-01	-008A	02	NAS1149F0632P	33-11-01-03	-004	01
NAS1149F0463P	25-21-01-01	-012	01	NAS1149F0632P	71-20-00-01	-006	02
NAS1149F0463P	25-21-01-01A	-004	02	NAS1149F0632P	71-20-00-02	-006	02
NAS1149F0463P	25-21-01-01A	-011	03	NAS1149F0632P	71-20-00-03	-006	02
NAS1149F0463P	27-10-00-01	-007	01	NAS1149F0663P	25-10-00-03	-086	01
NAS1149F0463P	27-10-00-03	-077	01	NAS1149F0663P	25-21-00-01	-157	02
NAS1149F0463P	27-10-00-03	-083	01	NAS1149F0663P	25-21-00-01	-167	02
NAS1149F0463P	27-10-00-03	-194	04	NAS1149F0663P	25-21-00-01	-167A	02
NAS1149F0463P	27-30-00-01	-007	02	NAS1149F0663P	27-50-00-01	-034	01
NAS1149F0463P	27-30-00-01	-026	01	NAS1149F0663P	32-11-00-01	-026	AR
NAS1149F0463P	27-50-00-02	-011	03	NAS1149F0663P	32-32-00-01	-011	02
NAS1149F0463P	32-30-00-01	-016	03	NAS1149F0663P	32-32-00-01	-027	02
NAS1149F0463P	32-31-00-01	-011	06	NAS1149F0663P	32-32-00-01	-035	02
NAS1149F0463P	52-10-00-01	-098	01	NAS1149F0663P	71-20-00-01	-005	06
NAS1149F0463P	52-10-00-02	-098	01	NAS1149F0663P	71-20-00-02	-005	06
NAS1149F0463P	55-20-00-01	-003	01	NAS1149F0663P	71-20-00-03	-005	06
NAS1149F0463P	55-20-00-01	-014	12	NAS1149F0732P	34-11-00-01	-092	01
NAS1149F0463P	71-11-00-01	-004	01	NAS1149F0763P	32-10-00-01	-025	02

CESSNA AIRCRAFT COMPANY
MODEL 172 (SERIES 1996 AND ON)
ILLUSTRATED PARTS CATALOG

PART NUMBER	CH	SEC	SUBJ	FIG	ITEM	REQ	PART NUMBER	CH	SEC	SUBJ	FIG	ITEM	REQ
NAS1149F0763P	57	00	00	01	-009	02	NAS1329A08-75	57	10	03	01	-016	03
NAS1149F0763P	71	20	00	01	-015	04	NAS1329A08-75	57	10	03	01	-020	14
NAS1149F0763P	71	20	00	02	-012	04	NAS1329A08K75	25	20	00	03	-021	01
NAS1149F0763P	71	20	00	03	-012	04	NAS1329A08K75	25	20	00	05	-085	01
NAS1149F0832P	27	10	00	01	-017	02	NAS1329A08K75	25	20	00	06	-086	01
NAS1149F0832P	27	10	00	01	-036	AR	NAS1329A08K75	56	30	00	01	-089	02
NAS1149F0832P	57	00	00	01	-005	02	NAS1329A8K75	25	20	00	04	-021	01
NAS1149F0863P	57	00	00	01	-006	04	NAS1329H3K80L	32	11	00	01	-019	05
NAS1149F0863P	57	10	03	01	-004	05	NAS1329S08K75	52	10	00	01	-021	01
NAS1149F0932P	28	21	00	01	-100	01	NAS1329S08K75	52	10	00	02	-021	01
NAS1149F0932P	28	21	00	01	-100A	01	NAS1352-02-8	27	10	00	02	-012	01
NAS1149F0932P	28	21	00	01	-154	01	NAS1352-02-8	27	10	00	02A	-016	01
NAS1149F0932P	28	21	00	01	-254	01	NAS1352-3-10	28	22	00	03	-003	05
NAS1149F1432P	37	10	00	04	-040	01	NAS1352-3-10	28	22	00	03	-003A	05
NAS1149F1432P	37	10	00	05	-006	02	NAS1352-3-8	28	22	00	03	-003B	05
NAS1149F1432P	37	10	00	06	-007	02	NAS1352-3-8	28	22	00	03	-003C	05
NAS1149F1432P	37	10	00	07	-011	02	NAS1593-012	28	21	00	02	-014	02
NAS1149FN232P	22	10	00	02	-021	02	NAS1596-5	33	11	01	03	-011	01
NAS1149FN416P	27	50	00	02	-103	01	NAS1596-8	28	21	00	01	-032	02
NAS1149FN416P	31	10	00	01	-013	01	NAS1596-8	28	21	00	01	-108	01
NAS1149FN416P	33	13	00	01	-098	02	NAS1791A3-1	32	11	00	01	-037A	06
NAS1149FN416P	33	13	00	01A	-022	02	NAS1791A3-1	32	11	00	01	-042A	04
NAS1149FN416P	52	10	00	01	-026	01	NAS1791A3-1	53	10	00	03	-002A	01
NAS1149FN416P	52	10	00	01	-041	01	NAS1791A3-1	53	11	00	02	-023A	01
NAS1149FN416P	52	10	02	01	-012B	01	NAS1791A3-1N	71	11	00	01	-161A	02
NAS1149FN416P	52	10	02	01	-012C	01	NAS1791C3-1	22	10	00	01	-256B	02
NAS1149FN416P	52	10	02	01	-020	01	NAS1924-91	28	21	00	01	-030	01
NAS1149FN432P	25	21	00	01	-173	AR	NAS395-14-3	53	10	00	02	-002	03
NAS1149FN432P	32	32	00	02	-048	01	NAS395-14-3	53	10	00	02	-006	03
NAS1149FN432P	52	10	02	01	-021	01	NAS395-14-3	57	11	00	01	-003A	03
NAS1149FN432P	57	40	00	01	-035	04	NAS397-14	24	34	00	01	-009	01
NAS1149FN516P	27	10	00	03	-106	02	NAS428H3-16	27	30	00	01	-034A	02
NAS1149FN616P	33	13	00	01	-084	06	NAS428H3A16	27	30	00	01	-034	NP
NAS1149FN616P	33	13	00	01	-089	01	NAS428H3A6	27	20	00	01	-016	02
NAS1149FN616P	33	13	00	01A	-005	02	NAS42HT8-8	27	21	00	01	-080	01
NAS1149FN616P	33	13	00	01A	-012	01	NAS43DD1-25	25	21	00	01	-152	01
NAS1149FN816P	21	21	00	01	-003	03	NAS43DD1-64N	31	10	00	01	-006	02
NAS1149FN816P	24	60	01	01	-004	04	NAS43DD3-10FC	27	10	00	01	-102	01
NAS1149FN816P	24	61	00	01	-038	01	NAS43DD3-12FC	31	00	00	01	-004	02
NAS1149FN816P	25	10	00	03	-015	04	NAS43DD3-12FC	31	00	00	01	-085	02
NAS1149FN816P	25	10	00	03	-015A	04	NAS43DD3-12N	31	00	00	01	-004A	02
NAS1149FN816P	34	50	00	01	-080	02	NAS43DD3-13N	27	10	00	02	-083	02
NAS1149FN816P	34	50	02	01	-005	02	NAS43DD3-13N	27	10	00	02	-083A	02
NAS1149FN816P	53	10	00	01	-026	07	NAS43DD3-14FC	27	10	00	02	-077	02
NAS1149FN816P	71	11	00	01	-164	03	NAS43DD3-14FC	27	10	00	02	-077A	02
NAS1149FN832P	22	10	00	01	-270	02	NAS43DD3-14FC	33	40	00	01	-063	01
NAS1149FN832P	25	10	00	03	-011	02	NAS43DD3-14FC	33	40	00	01A	-030	01
NAS1149FN832P	25	10	00	05	-097	02	NAS43DD3-14N	27	10	00	02	-077B	02
NAS1149FN832P	28	21	00	01	-020	01	NAS43DD3-14N	33	40	00	01	-064	NP
NAS1149FN832P	33	40	00	01B	-005	09	NAS43DD3-14N	33	40	00	01A	-030A	NP
NAS1149FN832P	53	10	00	01	-087	08	NAS43DD3-24FC	33	40	00	01	-067	01
NAS1149FN832P	53	10	00	01	-113	14	NAS43DD3-24FC	33	40	00	01A	-032	01
NAS1149FN832P	53	10	00	02	-181	01	NAS43DD3-24N	33	40	00	01	-068	NP
NAS1149FN832P	53	10	00	02	-198	AR	NAS43DD3-24N	33	40	00	01A	-032A	NP
NAS1149FN832P	53	20	00	01	-037	03	NAS43DD3-36FC	33	40	00	01	-059	02
NAS1169C10	71	10	00	02	-093	08	NAS43DD3-36FC	33	40	00	01A	-028	02
NAS1169C10	71	10	00	02	-093C	08	NAS43DD3-36N	33	40	00	01	-060	NP
NAS1291-3	22	10	00	01	-168A	02	NAS43DD3-36N	33	40	00	01A	-028A	NP
NAS1291-3	25	10	03	01A	-010A	04	NAS43DD3-42FC	21	21	00	01	-004	03
NAS1291C6	25	21	00	01	-158A	02	NAS43DD3-42N	21	21	00	01	-004A	03
NAS1329A06-120	33	40	00	02	-076	08	NAS43DD3-44FC	33	40	00	01	-065	01
NAS1329A06-120	33	40	00	02	-076A	08	NAS43DD3-44FC	33	40	00	01A	-031	01

CESSNA AIRCRAFT COMPANY
MODEL 172 (SERIES 1996 AND ON)
 ILLUSTRATED PARTS CATALOG

PART NUMBER	CH SEC SUBJ FIG	ITEM	REQ	PART NUMBER	CH SEC SUBJ FIG	ITEM	REQ
NAS43DD3-44N	33-40-00-01	-066	NP	NAS463W416	71-11-00-01	-082	02
NAS43DD3-44N	33-40-00-01A	-031A	NP	NAS463W416	71-11-00-01	-094	01
NAS43DD3-45	32-32-00-02	-007	NP	NAS463W416	71-11-00-01	-102	02
NAS43DD3-45FC	32-32-00-02	-007A	NP	NAS463W416	71-11-00-01	-112	01
NAS43DD3-45N	32-32-00-02	-007B	01	NAS463W416	71-11-00-01	-160	02
NAS43DD3-48FC	33-40-00-01	-061	01	NAS464-3-22	32-20-01-01	-037	01
NAS43DD3-48FC	33-40-00-01A	-029	01	NAS464-3-22	32-20-01-01A	-082	01
NAS43DD3-48N	33-40-00-01	-062	NP	NAS464P3-13	27-10-00-02	-076	02
NAS43DD3-48N	33-40-00-01A	-029A	NP	NAS464P3-13	27-10-00-02	-076A	02
NAS43DD3-64FC	09-10-00-01	-007	01	NAS464P7LA44	32-10-00-01	-024	01
NAS43DD3-64N	09-10-00-01	-007A	01	NAS514P1032-10	52-10-00-01	-114	04
NAS43DD3-80FC	33-13-00-01	-095	02	NAS514P1032-10	52-10-00-02	-114	04
NAS43DD3-80FC	33-13-00-01A	-018	02	NAS514P1032-14	56-30-00-01	-011	02
NAS43DD3-8FC	28-21-00-01	-181	01	NAS520-10R6	53-20-00-01	-249	14
NAS43DD3-8N	28-21-00-01	-181A	01	NAS528-A6	53-11-00-01	-022C	04
NAS43DD3-9FC	27-10-00-01	-102A	01	NAS528-A6	53-11-00-01	-022D	04
NAS43DD4-38N	25-21-01-01	-006	01	NAS528-A8	53-11-00-01	-023B	18
NAS43DD4-38N	25-21-01-01	-006A	01	NAS528-A8	53-11-00-01	-023C	18
NAS43HT3-12	25-10-00-05	-103	08	NAS528A6	53-11-00-01	-022	02
NAS43HT3-12	27-21-00-01	-086	01	NAS528A6	53-11-00-01	-022A	04
NAS43HT3-12	27-50-00-01	-090	01	NAS528A6	53-11-00-01	-022B	04
NAS43HT3-12	53-10-00-01	-117	08	NAS528A8	53-11-00-01	-023	18
NAS43HT3-216	79-20-00-01	-003	04	NAS528A8	53-11-00-01	-023A	18
NAS43HT3-216	79-20-00-01	-003A	06	NAS528A8	53-11-00-03	-005	10
NAS43HT3-216	79-20-00-01	-003B	06	NAS528A8	53-11-00-03	-015	09
NAS43HT3-24	27-50-00-02	-024	01	NAS528A8	53-11-00-03	-019	08
NAS43HT3-32	34-11-00-01	-096	01	NAS528A8	53-11-00-03	-021	08
NAS43HT3-34	56-30-00-01	-012	02	NAS557-6A	53-10-01-02	-002	01
NAS43HT3-42	21-40-00-01	-013E	01	NAS561-3-16	52-10-02-01	-016	01
NAS43HT3-42	53-10-00-02	-152	01	NAS561-3-6	52-10-02-01	-022	01
NAS43HT3-42	53-10-00-03	-012	04	NAS561-3-8	27-30-01-01	-004	02
NAS43HT3-45	52-10-00-01	-093	03	NAS561-5-12	32-32-00-02	-026	01
NAS43HT3-45	52-10-00-02	-093	03	NAS561C2-8	21-40-00-01	-006	01
NAS43HT3-6	27-50-00-02	-017	01	NAS561C3-10	25-21-00-01	-168	05
NAS43HT4-10	27-10-00-03	-081	01	NAS561P3-6	25-21-00-01	-182	01
NAS43HT4-10	27-10-00-03	-100	AR	NAS561P4-10	25-10-00-02	-091	02
NAS43HT4-15	25-21-00-01	-177	01	NAS561P4-10	25-10-00-02	-107	01
NAS43HT4-16	27-10-00-03	-030	04	NAS561P4-10	25-10-00-03	-091	02
NAS43HT4-18	25-10-00-03	-022	02	NAS561P4-12	25-10-00-03	-096	02
NAS43HT4-22	27-10-00-03	-012	01	NAS561P4-14	32-20-02-01	-014	01
NAS43HT4-28	27-10-00-03	-031	01	NAS561P4-14	32-20-02-01	-014A	01
NAS43HT4-43	27-10-00-03	-013	01	NAS561P6-18	25-10-00-02	-103	08
NAS43HT4-46	27-10-00-03	-035	01	NAS561P6-18	25-10-00-03	-101	08
NAS43HT4-59	25-21-01-01	-006B	01	NAS561P6-20	25-10-00-02	-093	04
NAS43HT4-59	25-21-01-01	-006C	01	NAS561P6-20	25-10-00-03	-107	04
NAS43HT4-59	25-21-01-01A	-007	01	NAS563-11	27-50-00-02	-099	01
NAS43HT4-6	27-10-00-03	-082	01	NAS601-7B	27-50-00-02	-033	04
NAS43HT4-6	27-10-00-03	-096	AR	NAS620-10L	33-13-00-01	-094	02
NAS43HT4-8	27-10-00-03	-092	AR	NAS620-10L	33-13-00-01A	-017	02
NAS43HT4-8	27-10-00-03	-096A	AR	NAS6203-4D	22-10-00-02	-014	02
NAS43HT4-9	27-10-00-03	-155	04	NAS6203-6D	22-10-00-02A	-018	02
NAS43HT4-9	27-10-00-03	-163	04	NAS6203-6D	27-10-00-03	-178	02
NAS43HT4-9	27-10-00-03	-171	04	NAS6203-8	22-10-00-02A	-012	02
NAS43HT5-9	27-50-00-02	-021	01	NAS6604-17	25-10-00-02	-023	01
NAS446-2-3	33-44-00-01	-012	01	NAS6604-17	25-10-00-03	-026B	01
NAS446-4-1	25-20-10-01	-034	08	NAS6604-17	25-10-00-03	-026C	01
NAS446-4-1	28-21-00-01	-248	01	NAS680A06	53-10-00-02	-166	01
NAS446-4-3	25-20-10-01	-087	04	NAS680A08	53-10-00-02	-007	10
NAS446-4-3	33-40-00-01	-028	NP	NAS680A08	56-60-00-01	-011	NP
NAS446-5-3	25-20-10-01	-081	02	NAS680A08	56-60-00-01	-013	NP
NAS463W416	24-34-00-01	-014	01	NAS680A3	28-10-01-01	-006	02
NAS463W416	71-11-00-01	-023	01	NAS680A3	28-10-01-01	-016	02

CESSNA AIRCRAFT COMPANY
MODEL 172 (SERIES 1996 AND ON)
 ILLUSTRATED PARTS CATALOG

PART NUMBER	CH	SEC	SUBJ	FIG	ITEM	REQ	PART NUMBER	CH	SEC	SUBJ	FIG	ITEM	REQ
NAS680A3	53-11-00-01				-009	04	P440032	25-80-00-01				-090	NP
NAS680A3	53-11-00-01				-021	04	P440032	25-80-00-01				-091	NP
NAS680A5	53-21-00-01				-022A	01	P440032	25-80-00-01				-150	NP
NAS682A3	53-11-00-02				-045	02	P440034	25-80-00-01				-018	NP
NAS684A08	52-30-00-01				-022	02	P440035	25-80-00-01				-075A	NP
NAS686A3K	33-40-00-02				-091	NP	P440480	25-80-00-01				-012A	01
NAS686C3M	22-10-00-01				-256C	02	P440576	25-80-00-01				-018A	AR
NAS696A06L	28-21-00-01				-091	02	P440576	25-80-00-01				-075B	AR
NAS696A3	28-10-01-01				-007	02	P440578	25-80-00-01				-090A	AR
NAS75-3-009	32-20-02-01				-004	01	P440578	25-80-00-01				-091A	AR
NAS75-3-018	27-50-00-02				-088	01	P440578	25-80-00-01				-150A	AR
NAS75-3-018	27-50-00-02				-088A	01	P447012	25-80-00-01				-008A	01
NAS75-3-019	27-50-00-02				-088B	01	P447012	25-80-00-01				-010A	01
NAS75-3-019	27-50-00-02				-088C	01	P447012	25-80-00-01				-017	AR
NAS75-5-231	32-20-01-01				-006	01	P447012	25-80-00-01				-090B	01
NAS75-5-231	32-20-01-01A				-006	01	P447012	25-80-00-01				-150B	01
NAS77-3-023	32-20-01-01A				-090	02	P580086	52-10-00-01				-036	AR
NAS77-3-23	32-20-01-01				-043	NP	P580086	52-10-02-01				-024	AR
NAS77-3-23	32-20-01-01A				-089	NP	P840101	25-20-00-02				-087	AR
NAS77-6-088	32-20-01-01				-041	01	P840112	22-10-00-02A				-026	AR
NAS77-6-088	32-20-01-01A				-086	01	P840112	22-10-00-02A				-026A	AR
NAS77-6-88	32-20-01-01				-054	02	P840366	25-10-01-01				-004	AR
NAS77-6-88	32-20-01-01A				-101	02	P840366	25-10-01-01				-004A	AR
NJM317F	31-10-00-01				-011	01	PA7015-1	21-20-00-01				-078A	02
NJM317F	33-13-00-01				-100	01	PA7015-1	21-20-00-01				-096	02
NJM317F	33-13-00-01A				-020	01	PA7015-1	21-20-00-01				-096A	02
NJM317F	33-13-00-01A				-020A	01	PC7075-1	21-20-00-01				-015B	02
NJM317F	33-13-00-01A				-020B	01	PC7075-1	21-20-00-01				-015C	02
NMP-K-M	77-20-00-01				-004A	01	PC7075-2	21-20-00-01				-003B	02
OB	11-00-00-01				-089	AR	PC7075-2	21-20-00-01				-003C	02
OCM8SM10DS64GY	25-20-10-05				-025	08	PCLM-GMP	77-20-00-01				-004	01
OCM8SM10DS64GY	25-20-10-05				-025A	08	PH	11-00-00-01				-081	AR
OD	11-00-00-01				-053	AR	PK	11-00-00-01				-043	AR
OD1232-24MB	21-21-00-02				-001E	01	PP	11-00-00-01				-013	AR
OE	11-00-00-01				-006	AR	PR	11-00-00-01				-014	AR
OH	11-00-00-01				-033	AR	PT	11-00-00-01				-015	AR
OHC4SM8DS14BN	25-20-00-03				-024	01	PU	11-00-00-01				-016	AR
OHC4SM8DS14BN	25-20-00-03				-024A	01	R441410	25-80-00-01				-001A	01
OHCW4SM6DS15BN	25-20-00-01				-013B	50	RA	11-00-00-01				-096	AR
OHCW4SM6DS64GY	25-20-00-01				-013A	AR	RCS-300-2	25-11-00-01				-001B	NP
OHCW4SM6DS64GY	25-20-00-02				-077E	AR	RCS-300-2	25-11-00-01				-001C	NP
OHCW4SM8DS15BN	25-20-00-01				-013C	50	RCS200-1	25-11-00-01				-001D	01
OHCW4SM8DS15BN	25-20-00-02				-077D	50	REM38E	71-00-01-01				-001	AR
OHCW4SMXDS14BN	25-20-00-03				-006	AR	RG24-15M	24-34-00-01				-001B	01
OHCW4SMXDS14BN	25-20-00-04				-006	AR	RG24-15M	24-34-00-01				-001C	01
OK	11-00-00-01				-027	AR	RL6806-1	33-11-01-01				-009	02
OO	11-00-00-01				-010	AR	RL6806-1	33-11-01-01				-010	02
OY	11-00-00-01				-028	AR	RL6806-1	33-11-01-01				-013	02
P10UCB6	37-10-00-05				-029	01	RL6806-1	33-11-01-01				-014	02
P10UCB6	37-10-00-05				-030	01	RL6808-1	33-11-01-01				-001B	01
P10UCB6	37-10-00-06				-022	NP	RL6808-1	33-11-01-01				-001C	01
P10UCB6	37-10-00-06				-023	NP	RL6870-1	33-11-01-02				-001	02
P165-5281	79-30-00-01				-001	01	RL6870-1	33-11-01-03				-001	03
P165-5281	79-30-00-01				-001A	01	RP	11-00-00-01				-090	AR
P165-5282	73-30-00-01				-001	01	S1003-29A	55-10-00-01				-032	01
P165-5786	37-10-00-07				-028	01	S1003-29A	55-10-00-01				-035	01
P198281	71-60-00-01				-017	01	S1003-29A	55-30-00-01				-023B	01
P198281	71-60-00-01				-017A	01	S1003-29A	55-30-00-01				-024B	01
P265-5037-1	79-30-00-01				-001B	01	S1003-43A	27-21-00-01				-029	04
P265-5037-1	79-30-00-01				-001C	01	S1003-66A	27-50-00-01				-047	01
P265-5055-1	73-30-00-01				-001A	01	S1004-42A	55-30-00-01				-026	01
P4	11-00-00-01				-004	AR	S1004-43A	27-10-00-01				-039	02

CESSNA AIRCRAFT COMPANY
MODEL 172 (SERIES 1996 AND ON)
 ILLUSTRATED PARTS CATALOG

PART NUMBER	CH SEC SUBJ FIG	ITEM	REQ	PART NUMBER	CH SEC SUBJ FIG	ITEM	REQ
S102128-8	53-10-00-02	-031	09	S1021A4-6R	25-20-00-05	-002	AR
S1021A4-10D	25-20-00-01	-013	60	S1021A4-6R	25-20-00-05	-011	AR
S1021A4-10D	25-20-00-01	-016A	36	S1021A4-6R	25-20-00-05	-015	AR
S1021A4-10D	25-20-00-02	-077	AR	S1021A4-6R	25-20-00-05	-094	AR
S1021A4-10D	25-20-00-02	-077A	AR	S1021A4-6R	25-20-00-06	-002	AR
S1021A4-10D	25-20-00-02	-077B	60	S1021A4-6R	25-20-00-06	-011	AR
S1021A4-10D	25-20-00-02	-077C	60	S1021A4-6R	25-20-00-06	-015	AR
S1021A4-10E	25-20-00-01	-016	36	S1021A4-6R	25-20-00-06	-095	AR
S1021A4-10E	25-20-00-02	-013	36	S1021A4-6S	25-20-00-05	-007	AR
S1021A4-10G	25-20-00-01	-014	60	S1021A4-6S	25-20-00-05	-023	AR
S1021A4-10G	25-20-00-01	-079	60	S1021A4-6S	25-20-00-05	-090	AR
S1021A4-10G	25-20-00-02	-015	01	S1021A4-6S	25-20-00-05	-090A	AR
S1021A4-10G	25-20-00-02	-078	AR	S1021A4-6S	25-20-00-06	-007	AR
S1021A4-10J	25-20-00-05	-092B	AR	S1021A4-6S	25-20-00-06	-023	AR
S1021A4-10J	25-20-00-05	-092C	AR	S1021A4-6S	25-20-00-06	-091	AR
S1021A4-10J	25-20-00-06	-093B	AR	S1021A4-6S	25-20-00-06	-091A	AR
S1021A4-10J	25-20-00-06	-093C	AR	S1021A4-8	33-10-01-01	-037	08
S1021A4-10M	25-20-00-03	-002B	AR	S1021A4-8D	25-20-00-01	-019B	12
S1021A4-10R	25-20-00-05	-004	AR	S1021A4-8D	25-20-00-02	-083	12
S1021A4-10R	25-20-00-05	-013	AR	S1021A4-8D	25-20-00-02	-083A	12
S1021A4-10R	25-20-00-05	-017	AR	S1021A4-8E	25-20-00-01	-019	12
S1021A4-10R	25-20-00-05	-096	AR	S1021A4-8E	25-20-00-02	-084	12
S1021A4-10R	25-20-00-06	-004	AR	S1021A4-8E	25-20-00-02	-084A	12
S1021A4-10R	25-20-00-06	-013	AR	S1021A4-8J	21-21-00-01A	-005	04
S1021A4-10R	25-20-00-06	-017	AR	S1021A4-8J	25-20-00-03	-004	04
S1021A4-10R	25-20-00-06	-097	AR	S1021A4-8J	25-20-00-04	-004	04
S1021A4-10R	25-20-10-03	-189	AR	S1021A4-8J	25-20-00-05	-091B	AR
S1021A4-10R	25-20-10-03	-199	05	S1021A4-8J	25-20-00-05	-091C	AR
S1021A4-10S	25-20-00-05	-009	AR	S1021A4-8J	25-20-00-06	-092B	AR
S1021A4-10S	25-20-00-05	-025	AR	S1021A4-8J	25-20-00-06	-092C	AR
S1021A4-10S	25-20-00-05	-092	AR	S1021A4-8J	33-10-00-01	-017	06
S1021A4-10S	25-20-00-05	-092A	AR	S1021A4-8L	25-20-10-02	-112	AR
S1021A4-10S	25-20-00-06	-009	AR	S1021A4-8M	25-20-00-03	-002A	AR
S1021A4-10S	25-20-00-06	-025	AR	S1021A4-8R	25-20-00-05	-003	AR
S1021A4-10S	25-20-00-06	-093	AR	S1021A4-8R	25-20-00-05	-012	AR
S1021A4-10S	25-20-00-06	-093A	AR	S1021A4-8R	25-20-00-05	-016	AR
S1021A4-16D	25-20-00-01	-017A	12	S1021A4-8R	25-20-00-05	-095	AR
S1021A4-16D	25-20-00-02	-081	12	S1021A4-8R	25-20-00-06	-003	AR
S1021A4-16D	25-20-00-02	-081A	12	S1021A4-8R	25-20-00-06	-012	AR
S1021A4-16E	25-20-00-01	-017	12	S1021A4-8R	25-20-00-06	-016	AR
S1021A4-16E	25-20-00-02	-081B	12	S1021A4-8R	25-20-00-06	-096	AR
S1021A4-16E	25-20-00-02	-081C	12	S1021A4-8R	25-20-10-03	-190	AR
S1021A4-16R	25-20-00-05	-005	AR	S1021A4-8S	25-20-00-05	-008	AR
S1021A4-16R	25-20-00-06	-005	AR	S1021A4-8S	25-20-00-05	-024	AR
S1021A4-6	53-20-00-01	-044	02	S1021A4-8S	25-20-00-05	-091	AR
S1021A4-6	55-10-00-01	-037	02	S1021A4-8S	25-20-00-05	-091A	AR
S1021A4-6	55-10-00-01	-037A	02	S1021A4-8S	25-20-00-06	-008	AR
S1021A4-6D	25-20-00-01	-018A	36	S1021A4-8S	25-20-00-06	-024	AR
S1021A4-6D	25-20-00-02	-082	36	S1021A4-8S	25-20-00-06	-092	AR
S1021A4-6D	25-20-00-02	-082A	36	S1021A4-8S	25-20-00-06	-092A	AR
S1021A4-6E	25-20-00-01	-018	36	S1021A4-XM	25-20-00-04	-002	AR
S1021A4-6E	25-20-00-02	-082B	36	S1021A6-6	21-40-00-01	-033	02
S1021A4-6E	25-20-00-02	-082C	36	S1021Z10-10	25-20-10-01	-080	02
S1021A4-6J	25-20-00-05	-090B	AR	S1021Z10-10	25-20-10-02	-077	02
S1021A4-6J	25-20-00-05	-090C	AR	S1021Z10-10	25-20-10-03	-156	02
S1021A4-6J	25-20-00-06	-091B	AR	S1021Z10-8	32-10-00-01	-044	01
S1021A4-6J	25-20-00-06	-091C	AR	S1021Z4-4	25-20-10-01	-026	05
S1021A4-6J	33-10-00-01	-006	20	S1021Z4-4	25-20-10-02	-093	10
S1021A4-6J	33-10-00-01	-006A	20	S1021Z4-4	52-10-00-01	-005	02
S1021A4-6J	33-10-00-01	-007	16	S1021Z4-4	52-10-00-02	-005	02
S1021A4-6J	33-10-00-01	-007A	16	S1021Z4-4	52-30-00-01	-020	03
S1021A4-6M	25-20-00-03	-002	AR	S1021Z4-4C	21-40-00-01	-023	02

CESSNA AIRCRAFT COMPANY
MODEL 172 (SERIES 1996 AND ON)
ILLUSTRATED PARTS CATALOG

PART NUMBER	CH SEC SUBJ FIG	ITEM	REQ	PART NUMBER	CH SEC SUBJ FIG	ITEM	REQ
S1021Z4-4J	25-20-10-02	-117	AR	S1021Z8-8	32-32-00-01	-015	01
S1021Z4-4J	25-20-10-03	-201	08	S1021Z8-8	32-32-00-01	-021	01
S1021Z4-6	25-10-00-01	-079	02	S1021Z8-8	34-11-00-01	-038	04
S1021Z4-6	25-10-00-01	-079A	02	S1021Z8-8	34-11-00-01	-048	01
S1021Z4-6	25-20-10-01	-036	04	S1021Z8-8	34-11-00-01	-048A	01
S1021Z4-6	25-20-10-05	-007	NP	S1021Z8-8	34-11-00-01	-081C	01
S1021Z4-6	25-20-10-05	-007A	NP	S1021Z8-8	34-11-00-01	-081D	01
S1021Z4-6C	21-40-00-01	-022	04	S1021Z8-8	34-11-00-02	-005	01
S1021Z4-6C	25-20-10-01	-086A	04	S1021Z8-8	34-30-01-01	-006	01
S1021Z4-6C	25-20-10-01	-088A	05	S1021Z8-8	53-00-00-01	-013	15
S1021Z4-6C	25-20-10-01	-090	05	S1021Z8-8	53-20-00-01	-313	06
S1021Z4-6C	25-20-10-02	-080	05	S1021Z8-8	55-10-00-01	-028	04
S1021Z4-6J	25-20-10-02	-121	08	S1021Z8-8	55-10-00-01	-077	AR
S1021Z4-6J	25-20-10-03	-205	02	S1021Z8-8	55-10-00-01	-093	02
S1021Z6-4	33-43-00-01	-010	08	S1021Z8-8	57-10-02-01	-077	06
S1021Z6-4	33-43-00-02	-011	08	S1021Z8-8	57-10-02-01	-078	04
S1021Z6-4	55-30-00-01	-030	08	S1021Z8-8	57-10-02-01	-230	01
S1021Z6-5	31-00-00-01	-152	03	S1021Z8-8	57-11-00-01	-033	03
S1021Z6-5	31-00-00-01A	-033	03	S1021Z8-8	57-40-00-01	-034	01
S1021Z6-6	27-31-00-01	-005	04	S1021Z8-8	57-40-00-01	-038	04
S1021Z6-6	31-00-00-01	-155	04	S1021Z8-8	78-10-00-01	-003D	06
S1021Z6-6	31-00-00-01A	-032	04	S1022A4-6	25-20-10-01	-002	03
S1021Z6-6	32-11-00-01	-050	04	S1022A4-6	25-20-10-01	-007	AR
S1021Z6-6	33-40-00-01	-044	01	S1022A4-6	25-20-10-02	-009	03
S1021Z6-6	33-40-00-01A	-005	04	S1022A4-6J	11-EC-38-01	-003	04
S1021Z6-6	33-40-00-01A	-013	04	S1022A6-8	21-40-00-01	-034	04
S1021Z6-6	33-43-00-01	-011	04	S1022Z6-8	57-50-00-01	-031	03
S1021Z6-6	33-43-00-02	-012	04	S1022Z8-6	57-00-00-01	-078	01
S1021Z6-6	33-44-00-01	-013	01	S1022Z8-6	57-11-00-01	-010	12
S1021Z6-6	55-30-00-01	-031	04	S1022Z8-8	21-20-00-01	-006	02
S1021Z6-6	55-40-00-01	-031	06	S1022Z8-8	57-00-00-01	-082	04
S1021Z6-8	25-10-02-01	-002	04	S1022Z8-8	57-00-00-01	-088	06
S1021Z6-8	25-20-10-01	-092	05	S1022Z8-8	57-11-00-01	-038	03
S1021Z6-8	25-20-10-02	-082	04	S1023A4-10J	21-40-00-01	-035	08
S1021Z6-8	25-20-10-03	-162	04	S1023A4-10J	25-20-00-01	-019A	01
S1021Z6-8	33-13-00-01	-083	06	S1023A4-10J	25-20-00-01	-020	01
S1021Z6-8	33-13-00-01A	-004	02	S1023A4-10J	25-20-00-02	-014	01
S1021Z6-8	33-40-00-01	-010	04	S1023A4-8R	25-20-00-03	-024B	AR
S1021Z6-8	33-44-00-01	-003	02	S1023A6-12B	25-20-10-03	-158	05
S1021Z8-10	21-20-00-01	-013	02	S1023A6-12B	25-20-10-03	-160	05
S1021Z8-10	21-20-00-01	-085	02	S1023A6-12J	25-10-01-01	-002	10
S1021Z8-10	25-20-10-02	-111	AR	S1023A6-12J	25-10-01-01	-002A	10
S1021Z8-10	28-21-00-01	-182	01	S1050-1	55-30-00-01	-015A	01
S1021Z8-10	28-21-00-01	-231	01	S1050-1	55-30-00-01	-016A	01
S1021Z8-12	71-11-00-01	-091	04	S1050-1	55-30-00-01	-017A	01
S1021Z8-6	28-21-00-01	-158	01	S1050-1	55-30-00-01	-018A	01
S1021Z8-6	28-21-00-01	-247	01	S1050-1	57-40-00-01	-014	01
S1021Z8-6	33-44-00-02	-002	04	S1050-1	57-40-00-01	-015	01
S1021Z8-6	53-10-00-02	-192	10	S1050-2	28-21-00-01	-167	AR
S1021Z8-6	53-10-01-02	-003	02	S1050-2	28-21-00-01	-239	01
S1021Z8-6	57-00-00-01	-077	03	S1053E16T	21-20-00-01	-097	02
S1021Z8-6	57-11-00-01	-036	04	S1053E16T	21-20-00-01	-097A	02
S1021Z8-6	57-40-00-01	-039	02	S1053E16T18.0	21-40-00-01	-016B	01
S1021Z8-8	25-20-10-01	-033	08	S1053E16T18.0	21-40-00-01	-016C	01
S1021Z8-8	25-70-00-01	-004C	01	S1053E16T24.0	21-40-00-01	-015	01
S1021Z8-8	27-31-00-01	-012	04	S1053E16T24.0	21-40-00-01	-016	01
S1021Z8-8	28-21-00-01	-044	01	S1053E16T24.0	21-40-00-01	-016A	01
S1021Z8-8	28-21-00-01	-104	02	S1053E16T31.0	21-40-00-01	-016D	01
S1021Z8-8	28-21-00-01	-161	01	S1053E24T	21-20-00-01	-020	01
S1021Z8-8	28-21-00-01	-165	01	S1053E5W	21-21-00-01	-005	05
S1021Z8-8	28-21-00-01	-243	01	S1053E5W	21-21-00-01A	-010	AR
S1021Z8-8	28-21-00-01	-250	01	S1053E5W	34-50-02-01A	-003	AR

CESSNA AIRCRAFT COMPANY
MODEL 172 (SERIES 1996 AND ON)
 ILLUSTRATED PARTS CATALOG

PART NUMBER	CH SEC SUBJ FIG	ITEM	REQ	PART NUMBER	CH SEC SUBJ FIG	ITEM	REQ
S1053E7T	21-20-00-01	-001	02	S1131-1	34-11-00-01	-035	01
S1053E8T	21-20-00-01	-010	02	S1131-1	34-11-00-01	-079	09
S1053E8T	24-34-00-01	-017	01	S1131-1	34-11-00-02	-003	02
S1053K24T	21-40-00-01	-012	01	S1132-1	34-11-00-01	-033	01
S1053K8T	37-10-00-01	-008	01	S1133-1	34-11-00-01	-023	01
S1053K8T	37-10-00-01	-008A	01	S1133-1	34-11-00-01	-029	01
S1053K8T	37-10-00-01	-016	01	S1133-1	34-11-00-02	-008	01
S1053K8T	37-10-00-01	-016A	01	S1133-2	34-11-00-01	-041	01
S1053K8T	37-10-00-02	-014	01	S1135-1	34-11-00-01	-014	01
S1053K8T	37-10-00-02	-022	01	S1135-1	34-11-00-01	-089	01
S1053K8T	37-10-00-03	-002	01	S1137-1	34-11-00-01	-090	01
S1053K8T	37-10-00-03	-012	01	S1137-1	34-11-00-02	-004	01
S1053K8T	37-10-00-07	-033	AR	S1139-1	34-11-00-01	-006	01
S1055-1	33-44-00-01	-014	01	S1139-1	34-11-00-01	-022	01
S1055-1	56-60-00-01	-009	02	S1153-2	32-32-00-01	-013	01
S1066C1	25-20-10-01	-008	AR	S1154-3	28-21-00-01	-157	01
S1066C1	25-20-10-02	-014	AR	S1154-3	28-21-00-01	-246	01
S1071-1	34-11-00-01	-009	01	S1155-2	27-10-00-02	-017	01
S1071-1	34-11-00-01	-017	01	S1155-2	27-10-00-02	-034	01
S1071-1	34-11-00-01	-026	01	S1155-3	33-13-00-01	-088	01
S1071-1	34-11-00-01	-030	01	S1155-3	33-13-00-01A	-010	01
S1071-1	34-11-00-01	-036	01	S1166-1	56-20-00-01	-003	AR
S1071-1	34-11-00-01	-081	AR	S1167-3-0085	32-32-00-01	-003A	01
S1071-1	34-11-00-02	-001	AR	S1167C3-0100	32-32-00-01	-002A	01
S1071-4	27-31-00-01	-002	AR	S1194-1-17	25-20-10-02	-041	01
S1078-1	57-00-00-01	-085	AR	S1194-1-17	25-20-10-03	-030	01
S1084-1	52-30-00-01	-012	01	S1194-1-17	52-30-00-01	-013	01
S1093-1	53-10-00-01	-115	AR	S1241-35	21-20-00-01	-022	01
S1093-1	57-00-00-01	-090	28	S1241-52	21-40-00-01	-008	01
S1093-1	57-50-00-01	-033	AR	S1358-2	28-21-00-02	-009	01
S1093B44	25-10-03-01	-010	01	S1360-10L	24-61-00-01	-014	01
S1093B44	25-10-03-01	-010A	01	S1360-10L	24-61-00-01A	-014	01
S1093B44	33-10-02-01	-007	AR	S1360-15L	24-61-00-01	-016	01
S1095-14	53-10-01-02	-001B	02	S1360-15L	24-61-00-01	-017	01
S1095-14	53-10-01-02	-001C	02	S1360-15L	24-61-00-01A	-016	01
S1095-3	53-10-01-02	-001	02	S1360-15L	24-61-00-01A	-017	01
S1095-3	53-10-01-02	-001A	02	S1360-5L	24-61-00-01	-015	01
S1095-3	53-10-01-02	-001D	02	S1360-5L	24-61-00-01	-018	01
S1095-3	53-10-01-02	-001E	02	S1360-5L	24-61-00-01	-019	01
S1095-3	77-40-00-01	-005	02	S1360-5L	24-61-00-01	-020	01
S1102-1	23-51-00-01	-002	05	S1360-5L	24-61-00-01	-021	01
S1104-3	76-10-00-01	-002	01	S1360-5L	24-61-00-01A	-013	01
S1104-3	76-11-00-01	-010	01	S1360-5L	24-61-00-01A	-015	01
S1106-3	27-50-00-01	-015	02	S1360-5L	24-61-00-01A	-018	01
S1106D3	27-50-00-01	-015A	02	S1360-5L	24-61-00-01A	-019	01
S1110ET	21-40-00-01	-037	02	S1360-5L	24-61-00-01A	-020	01
S1115-29	71-10-00-01	-026	01	S1360-5L	24-61-00-01A	-021	01
S1115-29	71-10-00-02	-023	01	S1389-1	56-10-00-01	-005	AR
S1130-1	34-11-00-01	-007	02	S1389-1	56-20-00-01	-007	AR
S1130-1	34-11-00-01	-015	01	S1389-2	56-10-00-01	-007	AR
S1130-1	34-11-00-01	-024	02	S1389-2	56-20-00-01	-005	AR
S1130-1	34-11-00-01	-027	02	S1389-3	56-20-00-01	-006	AR
S1130-1	34-11-00-01	-031	02	S1389-4	56-10-00-01	-003	AR
S1130-1	34-11-00-01	-034	01	S1397-13	11-N-24-01	-001	01
S1130-1	34-11-00-01	-042	01	S1399-1	32-32-00-01	-040	AR
S1130-1	34-11-00-01	-080	09	S1399-1	32-32-00-01	-040A	AR
S1130-1	34-11-00-02	-002	02	S1399-1-18.00	24-20-00-01	-018	01
S1131-1	34-11-00-01	-008	01	S1415-1	55-10-00-01	-036	02
S1131-1	34-11-00-01	-016	01	S1415-1	55-10-00-01	-036A	02
S1131-1	34-11-00-01	-025	02	S1419-1	34-11-00-01	-091	01
S1131-1	34-11-00-01	-028	02	S1438-17	25-10-00-02	-026	04
S1131-1	34-11-00-01	-032	02	S1438-20	27-21-00-01	-081	AR

CESSNA AIRCRAFT COMPANY
MODEL 172 (SERIES 1996 AND ON)
ILLUSTRATED PARTS CATALOG

PART NUMBER	CH SEC SUBJ FIG	ITEM	REQ	PART NUMBER	CH SEC SUBJ FIG	ITEM	REQ
S1438-39	61-10-00-01	-006B	14	S1477-06	34-52-00-01	-004	04
S1438-9	27-50-00-02	-090	01	S1477-08	52-10-00-01	-033	01
S1443-1	57-11-00-01	-006	02	S1477-08	52-10-00-01	-105	01
S1450-1-10-050	53-10-00-03	-023	02	S1477-08	52-10-00-02	-027	01
S1450-10-15-063	32-10-00-01	-004	AR	S1477-08	52-10-00-02	-105	01
S1450-18B14-005	27-10-00-01	-038	AR	S1477-8B	25-20-10-05	-027	08
S1450-19A18-040	52-10-00-01	-028	01	S1477-8B	25-20-10-05	-027A	08
S1450-2-10-032	09-10-00-01	-004	01	S1481-1	22-10-00-01	-019	01
S1450-20B12-032	27-50-00-01	-006	01	S1481-1	22-10-00-01	-019A	01
S1450-21-20-063	57-10-02-01	-166	01	S1481-1	22-10-00-01A	-015	01
S1450-23H16-095	71-20-00-01	-004	04	S1485D26L	32-10-00-01	-043	01
S1450-23H16-095	71-20-00-02	-004	04	S1486DG4U	28-21-00-01	-103	02
S1450-23H16-095	71-20-00-03	-004	04	S1486DG4U	28-21-00-01	-103A	02
S1450-24A7-040	27-30-01-01	-009	01	S1486DG6U	28-21-00-01	-164	03
S1450-2A4-062	52-10-00-01	-104	AR	S1486DG6U	28-21-00-01	-230D	02
S1450-2A4-062	52-10-00-02	-104	AR	S1486DG6U	28-21-00-01	-230E	02
S1450-3-10-032	27-50-00-02	-025	01	S1486DG6U	28-21-00-01	-242	04
S1450-3-10-032	32-21-00-01	-005	AR	S1486DG6U	28-21-00-01	-249	01
S1450-3-10-032	32-21-00-01	-005A	AR	S1486DG6U	32-32-00-01	-019	01
S1450-3-14-032	76-10-00-01	-005	01	S1486DG6U	57-10-02-01	-229	01
S1450-3-14-032	76-11-00-01	-015	01	S1494-16	37-10-00-01	-084	02
S1450-3A10-080	53-10-02-01	-018	02	S1494-16	37-10-00-01	-086	02
S1450-3A32-050	37-10-00-04	-035	01	S1494-16	37-10-00-02	-006	02
S1450-3A32-050	37-10-00-05	-035	01	S1494-16	37-10-00-02	-017	02
S1450-3A32-050	37-10-00-06	-029	01	S1494-8	27-31-00-01	-003	02
S1450-3A32-050	37-10-00-07	-007	01	S1494-9	57-10-02-01	-160	02
S1450-3D9-032	32-11-00-01	-041	07	S1495-10	27-10-00-01	-110	02
S1450-3D9-032	32-11-00-01	-049	14	S1495-10	37-10-00-01	-004	01
S1450-3S10-032	57-50-00-01	-008	04	S1495-10	37-10-00-01	-004A	01
S1450-4-10-032	25-21-00-01	-179	02	S1495-10	37-10-00-01	-006	02
S1450-4H12-050	53-10-02-01	-013	02	S1495-10	37-10-00-01	-006A	02
S1450-5-12-035	32-21-00-01	-009	02	S1495-10	37-10-00-01	-011	02
S1450-5A20-016	55-10-00-01	-009A	AR	S1495-10	37-10-00-01	-011A	02
S1450-5A20-025	55-10-00-01	-009B	AR	S1495-10	37-10-00-01	-013	01
S1450-5A20-032	55-10-00-01	-009C	AR	S1495-10	37-10-00-01	-013A	01
S1450-5A20-040	55-10-00-01	-009D	AR	S1495-10	37-10-00-01	-075	01
S1450-5A20-063	55-10-00-01	-009	AR	S1495-10	37-10-00-01	-075A	01
S1450-5A20-080	55-10-00-01	-008	AR	S1495-10	37-10-00-01	-077	01
S1450-5A20-100	55-10-00-01	-006	AR	S1495-10	37-10-00-01	-077A	01
S1450-5B8-016	52-10-00-01	-112	02	S1495-10	37-10-00-01	-079	01
S1450-5B8-016	52-10-00-01	-112A	02	S1495-10	37-10-00-01	-079A	01
S1450-5B8-016	52-10-00-02	-112	02	S1495-10	37-10-00-01	-081	01
S1450-5B8-016	52-10-00-02	-112A	02	S1495-10	37-10-00-01	-081A	01
S1450-6-14-080	24-20-00-01	-005	01	S1495-10	37-10-00-01	-083	01
S1450-6B14-010	32-20-01-01	-035	AR	S1495-10	37-10-00-01	-083A	01
S1450-6B14-010	32-20-01-01	-052	AR	S1495-10	37-10-00-01	-085	01
S1450-6B14-010	32-20-01-01A	-080	AR	S1495-10	37-10-00-01	-085A	01
S1450-6B14-010	32-20-01-01A	-099	AR	S1495-10	37-10-00-02	-003	01
S1450-7N32-125	71-20-00-02	-011	06	S1495-10	37-10-00-02	-003A	01
S1450-7N32-125	71-20-00-03	-011	02	S1495-10	37-10-00-02	-005	01
S1477-06	22-10-00-01	-003	04	S1495-10	37-10-00-02	-005A	01
S1477-06	22-10-00-01A	-003	04	S1495-10	37-10-00-02	-007	01
S1477-06	23-20-00-01	-004	04	S1495-10	37-10-00-02	-007A	01
S1477-06	23-50-00-01	-003	04	S1495-10	37-10-00-02	-012	02
S1477-06	31-00-00-01	-160	04	S1495-10	37-10-00-02	-016	01
S1477-06	31-00-00-01A	-022	01	S1495-10	37-10-00-02	-016A	01
S1477-06	34-50-00-01	-004	04	S1495-10	37-10-00-02	-018	01
S1477-06	34-50-00-01	-011	04	S1495-10	37-10-00-02	-018A	01
S1477-06	34-50-01-01	-003	04	S1495-10	37-10-00-02	-020	01
S1477-06	34-50-01-02	-005	04	S1495-10	37-10-00-02	-020A	01
S1477-06	34-50-02-01	-003	04	S1495-10	37-10-00-03	-004	02
S1477-06	34-51-00-01	-084	04	S1495-10	37-10-00-03	-007	01

CESSNA AIRCRAFT COMPANY
MODEL 172 (SERIES 1996 AND ON)
ILLUSTRATED PARTS CATALOG

PART NUMBER	CH SEC SUBJ FIG	ITEM	REQ	PART NUMBER	CH SEC SUBJ FIG	ITEM	REQ
S1495-10	37-10-00-03	-010	01	S1741-5	53-10-00-02	-200	07
S1495-10	37-10-00-03	-014	01	S1741-5	53-10-00-02	-200A	07
S1495-10	37-10-00-03	-017	01	S1741-5	53-10-00-02	-200B	06
S1495-10	37-10-00-04	-037	01	S1741-5	53-10-00-02	-200C	06
S1495-10	37-10-00-05	-009	01	S1742-1	21-40-00-01	-017A	03
S1495-10	37-10-00-06	-020	01	S1742-1	21-40-00-01	-017B	03
S1495-10	37-10-00-07	-013	AR	S1771-3	27-50-00-02	-097	01
S1495-10	37-10-00-07	-020	AR	S1775-7	24-34-00-01	-008	01
S1495-12-15.00	71-70-00-01	-007A	01	S1775-7	24-34-00-01	-008A	02
S1495-3	71-70-00-01	-004	01	S1776-1	34-11-00-01	-085	01
S1495-4	37-10-00-05	-017	01	S1781-2	80-10-00-01	-009	02
S1495-4	37-10-00-05	-017A	01	S1781-2	80-10-00-01	-009A	02
S1495-6	28-21-00-01	-169	AR	S1819-3	27-10-00-03	-190	02
S1495-6	28-21-00-01	-170	AR	S1819-3	27-50-00-01	-016	02
S1495-6	28-21-00-01	-183	AR	S1823-3	32-20-00-01	-014	02
S1495-6	28-21-00-01	-228	AR	S1827-1	32-20-01-01	-014	01
S1495-6	28-21-00-01	-233	AR	S1827-1	32-20-01-01A	-016	01
S1495-6	28-21-00-01	-236	AR	S1827-1	32-20-01-01A	-016A	01
S1495-6	28-21-00-01	-259	AR	S1843-1	24-61-00-01	-006	02
S1495-6	28-21-00-01	-261	01	S1843-1	24-61-00-01A	-005	02
S1495-6	28-21-00-01	-263	01	S1843-1	31-10-00-01	-005	02
S1495-6	37-10-00-04	-014	AR	S1878-1	33-10-01-01	-027	14
S1495-6	37-10-00-04	-014A	AR	S1878-1	53-00-00-01	-012A	66
S1495-6	37-10-00-04	-014B	AR	S1878-1	53-00-00-01	-012B	66
S1495-6	37-10-00-04	-014C	AR	S1878-1	53-00-00-01	-012C	57
S1495-6	37-10-00-04	-016	AR	S1878-1	53-10-00-02	-014	03
S1495-6	37-10-00-04	-016A	AR	S1891-10	37-10-00-01	-005	NP
S1495-6	37-10-00-04	-016B	AR	S1891-10	37-10-00-01	-007	NP
S1495-6	37-10-00-04	-016C	AR	S1891-10	37-10-00-01	-009	NP
S1495-6	37-10-00-04	-020	AR	S1891-10	37-10-00-01	-012	NP
S1495-6	37-10-00-04	-020A	AR	S1891-10	37-10-00-01	-014	NP
S1495-6	37-10-00-04	-020B	AR	S1891-10	37-10-00-01	-076	NP
S1495-6	37-10-00-04	-020C	AR	S1891-10	37-10-00-01	-078	NP
S1495-6	37-10-00-05	-013	AR	S1891-10	37-10-00-01	-080	NP
S1495-6	37-10-00-05	-013A	AR	S1891-10	37-10-00-01	-082	NP
S1495-6	37-10-00-05	-022	AR	S1891-10	37-10-00-07	-014	NP
S1495-6	37-10-00-05	-022A	AR	S1891-10	37-10-00-07	-021	NP
S1495-6	37-10-00-05	-027	AR	S1891-10	37-10-00-07	-034	NP
S1495-6	37-10-00-05	-027A	AR	S1891-10S	37-10-00-01	-005A	02
S1495-6-1.50	57-10-02-01	-159	01	S1891-10S	37-10-00-01	-007A	04
S1533-9	28-21-00-01	-021	01	S1891-10S	37-10-00-01	-009A	02
S1589-3	71-10-00-02	-079	10	S1891-10S	37-10-00-01	-012A	01
S1611-1	53-50-00-01	-007	02	S1891-10S	37-10-00-01	-014A	02
S1612-1	23-51-00-01	-003	04	S1891-10S	37-10-00-01	-076A	02
S1613-3-75	32-11-00-01	-018	05	S1891-10S	37-10-00-01	-078A	02
S1628-110	32-32-01-01	-005	01	S1891-10S	37-10-00-01	-080A	02
S1628-329	32-20-01-01	-022	02	S1891-10S	37-10-00-01	-082A	02
S1628-329	32-20-01-01A	-027	02	S1891-10S	37-10-00-07	-014A	01
S1635-1	33-10-01-01	-005	02	S1891-10S	37-10-00-07	-021A	01
S1636-2	33-44-00-01	-004	02	S1891-10S	37-10-00-07	-034A	02
S1674-1	27-21-00-01	-018	04	S1891-12	37-10-00-01	-017	02
S1675-1	27-21-00-01	-019	04	S1891-12	37-10-00-03	-003	02
S1676-2B20	33-13-00-01	-087	01	S1891-12	37-10-00-03	-005	04
S1676-2B20	33-13-00-01A	-011	01	S1891-12	37-10-00-03	-008	02
S1696-5	31-50-01-01	-003	01	S1891-12	37-10-00-03	-011	01
S1696-5	31-50-01-01	-003A	01	S1891-12	37-10-00-03	-013	02
S1696-6	31-50-01-01	-003B	01	S1891-12	37-10-00-03	-015	02
S1696-6	31-50-01-01	-003C	01	S1891-12	37-10-00-03	-018	01
S1710-1	32-32-00-02	-028	01	S1891-12H	24-34-00-01	-018	02
S1741-3	34-11-00-01	-081I	01	S1891-12H	37-10-00-02	-004	02
S1741-3	34-11-00-01	-081J	01	S1891-12H	37-10-00-02	-008	02
S1741-5	24-61-00-01	-039	01	S1891-12H	37-10-00-02	-013	02

CESSNA AIRCRAFT COMPANY
MODEL 172 (SERIES 1996 AND ON)
 ILLUSTRATED PARTS CATALOG

PART NUMBER	CH SEC SUBJ FIG	ITEM	REQ	PART NUMBER	CH SEC SUBJ FIG	ITEM	REQ
S1891-12H	37-10-00-02	-015	02	S1997C4G5	53-22-00-02	-008	01
S1891-12H	37-10-00-02	-019	02	S1997C4H5	27-30-01-01	-010B	01
S1891-12H	37-10-00-02	-021	02	S2013-2	25-10-00-02	-084	01
S1891-12H	37-10-00-02	-023	02	S2013-2	25-10-00-03	-093	01
S1891-12H	37-10-00-03	-003A	02	S2014-2	25-10-00-02	-085	02
S1891-12H	37-10-00-03	-005A	04	S2014-2	25-10-00-03	-094	02
S1891-12H	37-10-00-03	-008A	02	S2020-2	57-10-02-01	-013	NP
S1891-12H	37-10-00-03	-011A	01	S2020-3	57-10-02-01	-013A	05
S1891-12H	37-10-00-03	-013A	02	S202RB	53-21-00-01	-023	AR
S1891-12H	37-10-00-03	-015A	02	S2034-1	34-30-01-01	-002	01
S1891-12H	37-10-00-03	-018A	01	S2034-2	73-30-00-01	-031	02
S1891-24	25-10-03-01A	-016	02	S2034-2	73-30-00-01	-031A	02
S1891-32H	21-20-00-01	-099	02	S2035-1	33-10-01-01	-004	01
S1891-32H	21-20-00-01	-099A	02	S2041-50B12	31-10-00-01	-095	01
S1891-32H	21-40-00-01	-017	02	S2043-1	34-11-00-01	-082	01
S1891-32H	21-40-00-01	-036	02	S2091-9	33-13-00-01	-078	01
S1891-40S	71-60-00-01	-011	02	S2092-12	33-10-00-01	-011	AR
S1891-48	21-40-00-01	-013	02	S2092-12	33-10-00-01	-011A	AR
S1891-56S	71-60-00-01	-008	02	S2092-31	25-20-10-01	-006	AR
S1891-6H	28-21-00-01	-184	02	S2106-2	28-22-00-01	-004	NP
S1891-6H	28-21-00-01	-229	02	S2106-4	28-22-00-01	-004A	01
S1891-6H	28-21-00-01	-234	02	S2107-1	28-10-01-01	-027	01
S1891-6H	28-21-00-01	-237	02	S2107-1	28-10-01-01	-027A	01
S1891-6H	28-21-00-01	-260	02	S2108-1	25-20-00-01	-003B	02
S1891-6H	28-21-00-01	-262	02	S2108-1	25-20-00-03	-010	AR
S1898-2	25-10-00-01	-078	AR	S2108-1	25-20-00-04	-010	AR
S1903-2	28-21-00-01	-014	01	S2108-1	25-20-00-05	-084	AR
S1904-5	31-10-00-01	-087	01	S2108-1	25-20-00-06	-085	AR
S1904-5	31-10-00-01	-088	01	S2108-1	56-30-00-01	-081	01
S1904-5	31-10-00-01	-089	01	S2111-1	32-21-00-01	-004	02
S1904-5	31-10-00-01	-090	01	S2122-1	24-61-00-01	-022	15
S1906-1	27-50-00-02	-078	02	S2122-1	24-61-00-01A	-022	16
S1906-1	27-50-00-02	-079	02	S2138-1	32-10-00-01	-003	02
S1908-20	33-10-01-02	-011	01	S2179-1	71-11-00-01	-013	AR
S1908-20	33-10-01-02	-011A	01	S2179-1	79-20-00-01	-006	AR
S1908-20	56-30-00-01	-075	01	S2191-8-4	32-10-00-01	-034	03
S1908-21	56-30-00-01	-076	01	S2198-3	21-40-00-01	-029	01
S1915-1	24-20-00-01	-015	NP	S2202-1	27-50-00-02	-023	01
S1915-1	24-20-00-01	-015A	NP	S2202-4	27-50-00-02	-094	01
S1915-3	24-20-00-01	-016	01	S2209-1	33-11-01-02	-011	06
S1915-3	24-20-00-01	-016A	01	S2209-1	73-30-00-01	-028	01
S1916P1	53-11-00-01	-027	01	S2209-5	73-30-00-01	-029	01
S1916Z1	53-10-00-01	-090	01	S2209A5A	80-10-00-01	-008	02
S1916Z1	53-11-00-01	-027A	01	S2209A5A	80-10-00-01	-008A	02
S1931-8	56-30-00-01	-015	01	S2218-4	28-21-00-01	-096	01
S1950-4E	25-20-10-01	-016	03	S2218-4	28-21-00-01	-096A	01
S1981-7	34-11-00-01	-078	01	S2222-1	11-N-38-01	-005	01
S1995-5	33-13-00-01	-075	01	S2222-1	11-N-38-01	-005A	01
S1995-6	33-13-00-01	-076	01	S2226-1	28-21-00-01	-025	02
S1997-44H16	32-20-01-01	-028	01	S2226-1	28-21-00-01	-043	01
S1997-44H16	32-20-01-01A	-033	01	S2226-2	52-10-00-01	-099	01
S1997-6-10	27-10-00-01	-009	02	S2226-2	52-10-00-01	-102	01
S1997-6-10	27-10-00-03	-151	02	S2226-2	52-10-00-02	-099	01
S1997-6-10	27-10-00-03	-159	02	S2226-2	52-10-00-02	-102	01
S1997-6-10	27-50-00-01	-008	02	S225-1	53-00-00-01	-011	23
S1997-6-10	27-50-00-01	-021	02	S225-1	53-00-00-01	-011A	27
S1997-6G10	27-10-00-01	-009B	02	S225-1	53-00-00-01	-011B	27
S1997-6G10	27-10-00-03	-167	02	S225-1	53-00-00-01	-011C	24
S1997-6G10	27-10-00-03	-175	02	S225-1	53-10-00-02	-013	01
S1997-6H10	27-10-00-01	-009A	02	S225-1	53-10-00-02	-030	02
S1997C4-5	27-30-01-01	-010	01	S225-1	53-20-00-01	-312	01
S1997C4G5	27-30-01-01	-010A	01	S225-1	57-10-02-01	-076	04

CESSNA AIRCRAFT COMPANY
MODEL 172 (SERIES 1996 AND ON)
 ILLUSTRATED PARTS CATALOG

PART NUMBER	CH SEC SUBJ FIG	ITEM	REQ	PART NUMBER	CH SEC SUBJ FIG	ITEM	REQ
S225-1	57-11-00-01	-032	06	S2319-65	71-10-00-02	-089	24
S225-2	57-11-00-01	-037	02	S2319-7	71-10-00-01	-019	NP
S225-26	57-50-00-01	-030	04	S2319-8	71-10-00-01	-016	NP
S225-4F	57-10-02-01	-075	01	S2319C1	71-10-00-01	-097	12
S225-4F	57-11-00-01	-007	05	S2319C1	71-10-00-02	-029	06
S225-4F	57-11-00-01	-008	05	S2319C1	71-10-00-02	-088	05
S2255-1	25-10-01-01	-003	10	S2319C2	52-40-00-02	-019B	01
S2255-1	25-10-01-01	-003A	10	S2319C2	52-40-00-02	-019C	01
S226-3	53-10-00-01	-082	02	S2319C5	71-10-00-02	-011	02
S2266-2	33-13-00-01	-085A	01	S2319C5	71-10-00-02	-090	10
S2266-2	33-13-00-01A	-008	01	S2319C6	71-10-00-02	-091	08
S2280-15-90	28-21-00-01	-018	01	S2319C6	71-10-00-02	-091A	08
S2287-1	52-10-00-01	-006	01	S2319C7	71-10-00-02	-005	02
S2287-1	52-10-00-01	-006A	01	S2319C7	71-10-00-02	-005A	02
S2287-1	52-10-00-02	-006	01	S2319C8	71-10-00-02	-006	02
S2294-25	27-30-01-01	-082	02	S2319C8	71-10-00-02	-006A	02
S2294-25	27-30-01-01	-095	02	S2323-5	21-20-00-01	-023	01
S2295P25	27-30-01-01	-081	01	S2323-5	21-40-00-01	-009	01
S2295P25	27-30-01-01	-094	01	S2323-5	27-50-00-02	-010	01
S2300-6	73-30-00-01	-030	02	S2323-7	28-21-00-01	-022	01
S2300-6	73-30-00-01	-030A	02	S2335-1	79-30-00-01	-016	01
S2319-1	71-10-00-01	-033	04	S2357-1	22-10-00-01	-015	02
S2319-2	52-40-00-01	-002	NP	S2357-1	22-10-00-01	-015A	02
S2319-2	52-40-00-02	-019	01	S2357-1	22-10-00-01A	-013	02
S2319-2	52-40-00-02	-019A	01	S2357-1	37-10-00-04	-009	01
S2319-20	71-10-00-01	-013	03	S2357-1	37-10-00-04	-012	02
S2319-20	71-10-00-01	-030	03	S2357-1	37-10-00-04	-015	02
S2319-20	71-10-00-02	-010	02	S2357-1	37-10-00-04	-017	01
S2319-20	71-10-00-02	-018	02	S2357-1	37-10-00-04	-021	01
S2319-21	71-10-00-01	-093	06	S2357-1	37-10-00-04	-024	02
S2319-23	52-40-00-01	-004	NP	S2357-1	37-10-00-04	-027	02
S2319-23	52-40-00-01	-008B	NP	S2357-1	37-10-00-05	-010	02
S2319-23	52-40-00-02	-018	01	S2357-1	37-10-00-05	-014	02
S2319-23	52-40-00-02	-018A	01	S2357-1	37-10-00-05	-018	02
S2319-23	71-10-00-01	-017	NP	S2357-1	37-10-00-05	-023	02
S2319-23	71-10-00-01	-034	NP	S2357-1	37-10-00-05	-028	02
S2319-23	71-10-00-02	-030	06	S2357-1	37-10-00-06	-014	02
S2319-3	71-10-00-01	-029	NP	S2357-1	37-10-00-06	-021	02
S2319-3	71-10-00-02	-019	02	S2357-1	37-10-00-07	-023	01
S2319-5	71-10-00-01	-012	NP	S2357-1	37-10-00-07	-027	02
S2319-50	52-40-00-01	-006	02	S2357-1	71-70-00-01	-005	02
S2319-50	52-40-00-02	-021	01	S2357-1	71-70-00-01	-021	01
S2319-50	71-10-00-01	-036	10	S2357-2S	21-21-00-01	-006	04
S2319-50	71-10-00-01	-078	08	S2357-2S	32-20-00-01	-016	02
S2319-50	71-10-00-02	-031	10	S2357-2S	34-50-00-01	-008A	04
S2319-50	71-10-00-02	-080	08	S2357-2S	37-10-00-04	-038	02
S2319-50	71-10-00-02	-080A	08	S2357-3	21-21-00-01A	-008	04
S2319-50	71-60-00-01	-002	08	S2357-3	28-21-00-01	-171	02
S2319-52	71-10-00-02	-031A	10	S2357-3	28-21-00-01	-264	01
S2319-52	71-10-00-02	-080B	08	S2357-3	34-50-02-01A	-004	01
S2319-52	71-10-00-02	-080C	08	S2357-3	37-10-00-05	-012	02
S2319-52	71-60-00-01	-002A	08	S2357-3	37-10-00-05	-021	02
S2319-61	71-10-00-01	-030A	04	S2357-3	37-10-00-05	-026	02
S2319-61	71-10-00-01	-034B	06	S2357-3	37-10-00-06	-010	02
S2319-61	71-10-00-01	-096	30	S2357-3	37-10-00-06	-017	02
S2319-65	52-40-00-01	-004A	02	S2357-3	37-10-00-06	-019	02
S2319-65	52-40-00-01	-008C	01	S2357-3	37-10-00-07	-016	02
S2319-65	52-40-00-02	-018B	01	S2357-3	37-10-00-07	-025	02
S2319-65	52-40-00-02	-018C	01	S2357-3	71-70-00-01	-002	02
S2319-65	71-10-00-01	-017A	04	S2359-1	57-10-02-01	-169	01
S2319-65	71-10-00-01	-034A	06	S2363-1	37-10-00-01	-003	01
S2319-65	71-10-00-02	-004	04	S2363-1	37-10-00-01	-003A	01

CESSNA AIRCRAFT COMPANY
MODEL 172 (SERIES 1996 AND ON)
ILLUSTRATED PARTS CATALOG

PART NUMBER	CH SEC SUBJ FIG	ITEM	REQ	PART NUMBER	CH SEC SUBJ FIG	ITEM	REQ
S2363-2	37-10-00-01	-010	02	S2590-1	79-30-00-01	-019A	01
S2363-2	37-10-00-01	-010A	02	S2606-1	22-10-00-01	-246	01
S2363-2	37-10-00-01	-087	01	S2606-1	28-22-00-03	-013	20
S2363-2	37-10-00-01	-087A	01	S2606-1	28-22-00-03	-013A	20
S2363-2	37-10-00-02	-009	01	S2606-1	34-51-00-01	-008	02
S2363-2	37-10-00-02	-011	02	S2606-2	25-60-00-01	-006	04
S2363-2	37-10-00-03	-009	02	S2606-2	27-10-00-02A	-028	01
S2363-2	37-10-00-03	-016	02	S2606-2	27-50-00-02	-093	03
S2363-2	37-10-00-07	-035	01	S2606-2	33-11-01-01	-002	04
S2363-3	37-10-00-01	-015	01	S2606-2	33-11-01-02	-010	04
S2363-3	37-10-00-01	-015A	01	S2606-2	33-11-01-03	-013	05
S2363-3	37-10-00-02	-010	01	S2608-1	11-N-25-01	-001	NP
S2363-3	37-10-00-03	-006	02	S2608-1	11-N-25-01	-001A	NP
S2363-3	37-10-00-07	-012	01	S2614-4-2	27-10-00-01	-008	01
S237-1	57-40-00-01	-023	01	S2619-1	27-10-00-02A	-017	01
S237-2	57-40-00-01	-021	02	S2619-1	33-10-00-02	-003	01
S237-2P	53-10-00-02	-029	01	S2619-1	33-11-01-02	-002	01
S237-2P	53-20-00-01	-311	02	S2619-1	33-11-01-03	-002	02
S237-2P	57-10-02-01	-079	04	S2637-8Z4	32-20-01-01A	-017	01
S237-2P	57-11-00-01	-003	01	S2637-8Z4	32-20-01-01A	-017A	01
S237-2P	57-40-00-01	-021A	02	S2670-1	28-22-00-03	-006	01
S237-7	57-50-00-01	-028	04	S272-205	28-21-00-02	-007	01
S237-9	57-10-02-01	-007	01	S272-5	56-30-00-01	-017	02
S2385-5	28-21-00-02	-015	02	S2742-10	31-10-00-01	-097	AR
S2389-2	27-50-00-02	-022	01	S2742-23	37-10-00-07	-022	01
S2389-2	27-50-00-02	-092	AR	S2742-8	31-10-00-01	-098	AR
S2418-1	32-20-01-01	-020	01	S2742-9	31-10-00-01	-103	AR
S2418-1	32-20-01-01A	-025	01	S2800-1080	71-00-01-01	-002R	01
S2421-10P	24-34-00-01	-007	01	S2800-1080	71-00-01-01	-002S	01
S2445-1	27-50-00-02	-077	01	S2800-1300	11-JA-31-01	-001	01
S2455-1	52-30-00-01	-009	01	S2800-1301	11-JA-31-01	-002	01
S2473-1	34-50-00-01	-078	01	S2800-1302	11-JA-31-01	-003	01
S2474-1	34-50-00-01	-081	01	S2800-1303	11-JA-31-01	-004	01
S2474-1	34-50-00-01	-081A	01	S2800-1304	11-JA-31-01	-005	01
S2480-1	24-34-00-01	-002	02	S2800-1305	11-JA-31-01	-006	01
S2482-250	71-60-00-01	-010	01	S2800-1306	11-JA-31-01	-008	01
S2485-1	28-21-00-02	-011	01	S2800-1307	11-JA-22-01	-001	01
S2485-1	28-22-00-02	-011	NP	S2800-1308	11-JA-25-01	-001	02
S2485-2	28-22-00-02	-011A	01	S2800-1309	11-JA-24-01	-001	01
S2488-1	27-31-00-01	-001B	01	S2800-1310	11-JA-31-01	-009	01
S2502-3	37-10-00-04	-019	01	S2800-1311	11-JA-31-01	-007	01
S2502-4	22-10-00-01	-020	01	S2800-679	31-10-00-01	-091	01
S2502-4	22-10-00-01	-020A	01	S2800-827	71-00-01-01	-002M	01
S2502-4	22-10-00-01A	-014	01	S2800-827	71-00-01-01	-002N	01
S2503-1	37-10-00-04	-007	02	S2800-927	71-00-01-01	-002P	01
S2506-1	37-10-00-04	-018	01	S2800-927	71-00-01-01	-002Q	01
S2515-1	27-10-00-02	-031	02	S2807-1	11-N-22-01	-005	01
S2515-1	27-10-00-02	-031A	02	S2807-1	11-N-22-01	-005A	01
S2521-1	27-10-00-02A	-021	01	S2870-1	27-10-00-02	-013	02
S2521-1	33-10-00-02	-001	01	S2870-1	27-10-00-02A	-008	01
S2524-1	33-10-01-01	-006	01	S2870-1	27-10-00-02A	-009	01
S2550-15	77-40-00-01	-003	01	S2870-2	27-10-00-02	-015	01
S2550-15	77-40-00-01	-003A	01	S2870-2	27-10-00-02A	-010	01
S2550-17	77-40-00-01	-003B	NP	S2870-4	27-10-00-02	-014	01
S2550-17	77-40-00-01	-003C	NP	S2870-4	27-10-00-02A	-007	01
S2550-2	77-40-00-01	-003D	NP	S2878-8	24-61-00-02	-010	03
S2550-2	77-40-00-01	-003E	NP	S2878-8	24-61-00-02	-084	03
S2554-4	71-70-00-01	-020	01	S2878-8	24-61-00-03	-012	05
S2554-6	71-70-00-01	-001A	NP	S2878-8	24-61-00-03A	-013	06
S2557-8D	28-21-00-01	-031	02	S2878-8	24-61-00-03A	-087	06
S2562-2	24-60-00-01	-018	01	S2878-8	24-61-00-04	-014	07
S2590-1	79-30-00-01	-019	01	S2878-8	24-61-00-04	-087	05

CESSNA AIRCRAFT COMPANY
MODEL 172 (SERIES 1996 AND ON)
ILLUSTRATED PARTS CATALOG

PART NUMBER	CH SEC SUBJ FIG	ITEM	REQ	PART NUMBER	CH SEC SUBJ FIG	ITEM	REQ
S2878-8	24-61-00-05	-014	07	S3014-2-4	37-10-00-06	-008	01
S2878-8	24-61-00-05	-088	06	S3014-2-4	37-10-00-06	-012	01
S2878-8	24-61-00-06	-014	06	S3014-2-4	37-10-00-07	-032	01
S2878-8	24-61-00-06	-088	06	S3017-6-6-6	28-21-00-01	-232	01
S2878-8	24-61-00-07	-014	07	S3023-10-6-6	37-10-00-04	-036	NP
S2878-8	24-61-00-08	-014	06	S3023-10-6-6	37-10-00-04	-036A	NP
S2878-8	24-61-00-09	-015	07	S3023-6-6-4	37-10-00-04	-025	NP
S2878-8	24-61-00-10	-016	08	S3023-6-6-4	37-10-00-04	-025A	NP
S2878-8	24-61-00-11	-015	07	S3038-3	25-20-10-01	-011	08
S2878-8	24-61-00-12	-015	08	S3038-3	25-20-10-02	-043	AR
S2878-8	24-61-00-13	-016	09	S3038-3	25-20-10-03	-032	08
S2878-8	24-61-00-14	-018	08	S3100-104	34-51-00-01	-078	01
S2878-8	24-61-00-15	-008	07	S3100-104	34-51-00-01	-078A	01
S2899L10.0	24-61-00-01B	-023	01	S3100-112	34-50-00-01	-005B	01
S2899L10.0	24-61-00-01B	-034	01	S3100-112	34-50-00-01	-005C	01
S2899L10.0	24-61-00-01B	-036	01	S3100-114	34-50-00-01	-007D	01
S2899L10.0	24-61-00-01B	-039	01	S3100-114	34-50-00-01	-007E	01
S2899L10.0	24-61-00-01B	-075	01	S3100-130	34-51-00-01	-079	01
S2899L10.0	24-61-00-01B	-075A	01	S3100-130	34-51-00-01	-079A	01
S2899L15.0	24-61-00-01B	-026	01	S3100-137	24-60-00-01	-001E	NP
S2899L15.0	24-61-00-01B	-037	01	S3100-137	24-60-00-01	-001F	NP
S2899L15.0	24-61-00-01B	-040	01	S3100-138	24-60-00-01	-001G	NP
S2899L15.0	24-61-00-01B	-076	01	S3100-138	24-60-00-01	-001H	NP
S2899L20.0	24-61-00-01B	-077	01	S3100-155	34-50-00-01	-002D	01
S2899L5.0	24-61-00-01B	-021	01	S3100-155	34-50-00-01	-002E	01
S2899L5.0	24-61-00-01B	-022	01	S3100-156	34-50-00-01	-001B	01
S2899L5.0	24-61-00-01B	-024	01	S3100-156	34-50-00-01	-001C	01
S2899L5.0	24-61-00-01B	-025	01	S3100-157	34-50-00-01	-005D	01
S2899L5.0	24-61-00-01B	-027	01	S3100-157	34-50-00-01	-005E	01
S2899L5.0	24-61-00-01B	-028	01	S3100-158	34-50-00-01	-007B	01
S2899L5.0	24-61-00-01B	-029	01	S3100-158	34-50-00-01	-007C	01
S2899L5.0	24-61-00-01B	-030	01	S3100-160	23-50-00-01	-001C	01
S2899L5.0	24-61-00-01B	-031	01	S3100-160	23-50-00-01	-001D	01
S2899L5.0	24-61-00-01B	-032	01	S3100-173	34-50-02-01	-001	01
S2899L5.0	24-61-00-01B	-033	01	S3100-173	34-50-02-01	-001A	01
S2899L5.0	24-61-00-01B	-035	01	S3100-178	34-50-00-01	-002H	01
S2899L5.0	24-61-00-01B	-038	01	S3100-178	34-50-00-01	-002J	01
S2899L5.0	24-61-00-01B	-041	01	S3100-179	34-50-00-01	-001F	01
S2899L5.0	24-61-00-01B	-075B	01	S3100-179	34-50-00-01	-001G	01
S2899L5.0	24-61-00-01B	-075C	01	S3100-180	22-10-00-01	-075A	01
S2899L5.0	24-61-00-01B	-078	01	S3100-180	22-10-00-01	-075B	01
S2899L5.0	24-61-00-01B	-079	01	S3100-182	22-10-00-01	-225B	01
S2899L5.0	24-61-00-01B	-080	01	S3100-182	22-10-00-01	-225C	01
S2899L5.0	24-61-00-01B	-081	01	S3100-183	22-10-00-01	-150A	01
S2899L5.0	24-61-00-01B	-086	01	S3100-183	22-10-00-01	-150B	01
S2899L5.0	24-61-00-01B	-088	01	S3100-218	22-10-00-01	-001H	01
S2899L5.0	24-61-00-01B	-089	01	S3100-218	22-10-00-01	-001J	01
S2899L5.0	24-61-00-01B	-090	01	S3100-218	22-10-00-01A	-001A	01
S2899L5.0	24-61-00-01B	-090A	01	S3100-232	34-51-00-01	-077	01
S290D832	57-00-00-01	-083	03	S3100-232	34-51-00-01	-077A	01
S290D832	57-00-00-01	-089	06	S3100-253	22-10-00-01	-075C	01
S2951-81	32-32-01-01	-003B	01	S3100-253	22-10-00-01	-075D	01
S2951-81	32-32-01-01	-003C	01	S3100-255	22-10-00-01	-225D	01
S2951-94	28-21-00-02	-016A	02	S3100-255	22-10-00-01	-225E	01
S3013-4-6	37-10-00-04	-013	NP	S3100-256	22-10-00-01	-150C	01
S3013-4-6	37-10-00-04	-013A	NP	S3100-256	22-10-00-01	-150D	01
S3013-4-6	37-10-00-05	-019	NP	S3100-291	23-20-00-01	-001B	01
S3013-4-6	37-10-00-06	-015	NP	S3100-291	23-20-00-01	-001C	01
S3013-4-6	37-10-00-06	-015A	NP	S3100-292	23-20-00-01	-002B	01
S3014-2-4	37-10-00-04	-010	01	S3100-292	23-20-00-01	-002C	01
S3014-2-4	37-10-00-04	-022	02	S3100-297	24-60-00-01	-001J	NP
S3014-2-4	37-10-00-05	-015	02	S3100-297	24-60-00-01	-001K	NP

CESSNA AIRCRAFT COMPANY
MODEL 172 (SERIES 1996 AND ON)
 ILLUSTRATED PARTS CATALOG

PART NUMBER	CH	SEC	SUBJ	FIG	ITEM	REQ	PART NUMBER	CH	SEC	SUBJ	FIG	ITEM	REQ
S3100-323	22-10-00-01				-001P	01	S3100-558	34-60-00-01				-001P	NP
S3100-323	22-10-00-01				-001Q	01	S3100-558	34-60-00-01				-001Q	NP
S3100-323	22-10-00-01A				-001	01	S3100-562	34-30-01-01				-001	01
S3100-344	24-60-00-01				-001L	NP	S3100-563	34-50-02-01A				-001H	01
S3100-344	24-60-00-01				-001M	NP	S3100-563	34-50-02-01A				-001J	01
S3100-347	22-10-00-01				-075E	01	S3100-565	25-60-00-03				-001D	01
S3100-347	22-10-00-01				-075F	01	S3100-565	25-60-00-03				-001E	01
S3100-349	22-10-00-01				-225F	01	S3100-583	28-22-00-03				-002P	02
S3100-349	22-10-00-01				-225G	01	S3100-583	28-22-00-03				-002Q	02
S3100-351	22-10-00-01				-150E	01	S3100-587	24-60-00-01				-001S	NP
S3100-351	22-10-00-01				-150F	01	S3100-594	24-60-00-01				-001T	01
S3100-359	34-50-02-01				-001E	01	S3100-594	24-60-00-01				-001U	01
S3100-359	34-50-02-01				-001F	01	S3100-596	34-60-00-01				-001J	NP
S3100-360	23-20-00-01				-002D	01	S3100-597	34-60-00-01				-001F	NP
S3100-360	23-20-00-01				-002E	01	S3100-602	34-60-00-01				-001R	NP
S3100-366	24-60-00-01				-001N	NP	S3100-606	24-60-00-01				-001V	01
S3100-366	24-60-00-01				-001P	NP	S3100-606	24-60-00-01				-001W	01
S3100-373	34-51-00-01				-077B	01	S3100-616	34-60-00-01				-001K	01
S3100-373	34-51-00-01				-077C	01	S3100-617	34-60-00-01				-001S	01
S3100-374	23-20-00-01				-001D	01	S3100-619	34-60-00-01				-001T	01
S3100-374	23-20-00-01				-001E	01	S3100-620	34-60-00-01				-001N	01
S3100-376	23-10-01-01				-001	02	S3100-83	22-10-00-01				-001A	01
S3100-376	23-10-01-01				-001A	02	S3100-83	22-10-00-01				-001B	01
S3100-381	23-50-00-02				-001	01	S3134-22	57-10-02-01				-100	02
S3100-385	34-60-01-01				-001	01	S3134-33	57-40-00-01				-024	07
S3100-396	23-20-00-01				-002F	01	S3134-33	57-40-00-02				-031	06
S3100-396	23-20-00-01				-002G	01	S3230-1	25-20-00-05				-026	AR
S3100-397	23-20-00-01				-001F	01	S3230-2	33-44-00-01				-005	02
S3100-397	23-20-00-01				-001G	01	S3231-5	33-40-00-02				-081	02
S3100-405	34-50-01-02				-001	01	S3231-5	33-40-00-03				-077	02
S3100-405	34-50-01-02				-001A	01	S3239-2A	57-40-00-01				-025A	01
S3100-443	25-60-00-03				-001	NP	S3240-1A	55-30-00-01				-021	04
S3100-443	25-60-00-03				-001A	NP	S3240-2	57-40-00-01				-026A	01
S3100-453	34-50-02-01A				-001D	01	S3240-2A	53-21-00-01				-010A	02
S3100-453	34-50-02-01A				-001E	01	S3240-2A	53-21-00-01				-010B	02
S3100-461	34-60-00-01				-001D	NP	S3240-2A	55-10-00-01				-080	02
S3100-461	34-60-00-01				-001E	NP	S3240-2A	55-10-00-01				-080A	02
S3100-462	34-60-00-01				-001L	NP	S3241-3	53-10-00-01				-012	04
S3100-462	34-60-00-01				-001M	NP	S3241-3A	53-10-01-01				-077	11
S3100-463	23-10-01-01				-001F	02	S3241-3A	53-20-00-01				-314	02
S3100-463	23-10-01-01				-001G	02	S3241-3A	53-20-00-01				-314A	02
S3100-474	34-50-02-01A				-001F	01	S3241-3A	57-10-02-01				-088	06
S3100-474	34-50-02-01A				-001G	01	S3261-2A	57-40-00-01				-027A	01
S3100-483	34-23-00-01				-001D	NP	S3272-1-1	24-61-00-01				-004	01
S3100-483	34-23-00-01				-001E	NP	S3272-1-1	24-61-00-01A				-003	01
S3100-484	34-53-00-03				-002B	01	S3272-1-1	31-10-00-01				-016	01
S3100-484	34-53-00-03				-002C	01	S3277-2	77-20-00-01				-001	NP
S3100-486	34-13-00-01				-001F	01	S3277-3	77-20-00-01				-001D	NP
S3100-486	34-13-00-01				-001G	01	S3277-4	77-20-00-01				-001B	NP
S3100-489	34-13-00-01				-008A	01	S3277-5	77-20-00-01				-001F	NP
S3100-496	25-60-00-03				-001B	NP	S3277-6	77-20-00-01				-001A	01
S3100-496	25-60-00-03				-001C	NP	S3277-7	77-20-00-01				-001E	01
S3100-505	28-22-00-03				-002K	NP	S3277-8	77-20-00-01				-001C	01
S3100-505	28-22-00-03				-002L	NP	S3277-9	77-20-00-01				-001G	01
S3100-511	34-23-00-01				-001H	01	S3279-1	79-30-00-01				-013	01
S3100-511	34-23-00-01				-001J	01	S3280-1	37-10-00-04				-005	01
S3100-517	34-23-00-01				-001F	01	S3280-1	37-10-00-05				-003	01
S3100-517	34-23-00-01				-001G	01	S3280-1	37-10-00-06				-002	01
S3100-549	24-60-00-01				-001Q	NP	S3281-2	28-22-00-03				-007	01
S3100-549	24-60-00-01				-001R	NP	S329	57-11-00-01				-034	03
S3100-557	34-60-00-01				-001G	NP	S329	57-11-00-01				-035	02
S3100-557	34-60-00-01				-001H	NP	S3291-1	34-10-00-01				-001	01

CESSNA AIRCRAFT COMPANY
MODEL 172 (SERIES 1996 AND ON)
 ILLUSTRATED PARTS CATALOG

PART NUMBER	CH SEC SUBJ FIG	ITEM	REQ	PART NUMBER	CH SEC SUBJ FIG	ITEM	REQ
S3291-1	34-10-00-01	-001A	01	S3412-102	52-40-00-01	-002A	02
S3294-4-8G1	31-50-01-01	-002	02	S3412-102	71-10-00-01	-091	06
S3294-4-8G1	34-53-00-01	-003	02	S3412-102	71-10-00-01	-098	03
S3294-6-12G1	31-20-01-01	-002	04	S3412-103	71-10-00-01	-029A	02
S3294-6-12G1	31-20-01-01	-002A	04	S3412-105	71-10-00-01	-012A	02
S3294-6-12G1	34-50-01-01	-005	04	S3412-105	71-10-00-01	-090	10
S3294-6-14G1	34-10-00-01	-002	NP	S3412-105	71-10-00-01	-092	08
S3294-6-14G1	37-10-00-07	-002	04	S3412-105	71-10-00-01	-099	08
S3294-6-6G	33-10-00-01	-020	02	S3412-106	71-10-00-01	-100	08
S3294-7-6G1	34-51-00-01	-010	AR	S3412-107	71-10-00-01	-019A	02
S3297-1	71-60-00-01	-007	01	S3412-107	71-10-00-01	-101	10
S330-2	57-10-02-01	-009	01	S3412-108	71-10-00-01	-016A	02
S330-2	57-11-00-01	-004	03	S3412-108	71-10-00-01	-102	02
S3312-1	33-13-00-01	-001	01	S3412-109	71-10-00-02	-005B	02
S3323E1	25-20-10-04	-012	AR	S3412-109	71-10-00-02	-005C	02
S3323E1	25-20-10-04	-012A	AR	S3412-110	71-10-00-02	-006B	02
S3323E1	33-11-01-01	-021	AR	S3412-110	71-10-00-02	-006C	02
S3323E1	33-11-01-01	-022	AR	S3429-1A	57-50-00-01	-029	03
S3325-1	34-11-00-01	-018	01	S3429-2A	57-40-00-01	-025	01
S3325-6	34-11-00-01	-018A	01	S3430-1A	55-40-00-01	-028	06
S3326-1	37-10-00-04	-001	01	S3430-2	57-40-00-01	-026	01
S3326-1	37-10-00-04	-001A	01	S3430-2A	53-21-00-01	-010C	02
S3326-1	37-10-00-05	-001	01	S3430-2A	53-21-00-01	-010D	02
S3326-1	37-10-00-06	-001	01	S3430-2A	55-10-00-01	-079	02
S3326-1	37-10-00-06	-001A	01	S3430-2A	55-10-00-01	-079A	02
S3326-2	37-10-00-04	-001B	01	S3431-1	57-40-00-01	-010	01
S3326-2	37-10-00-04	-001C	01	S3431-2	53-22-00-01A	-010	02
S3326-2	37-10-00-06	-001B	01	S3431-2	53-22-00-01A	-014	03
S3326-2	37-10-00-06	-001C	01	S3431-2A	53-10-00-02	-189	10
S3326-2	37-10-00-07	-001	01	S3431-3	53-10-01-01A	-036	09
S3327-1	34-11-00-01	-010	01	S3431-3	55-30-00-01	-010	02
S3328-1	34-11-00-01	-001	NP	S3431-3	57-40-00-01	-011	02
S3328-1	34-11-00-01	-001A	NP	S3431-3A	53-10-00-02	-190	10
S3329-1	77-40-00-01	-001	01	S3431-3A	53-10-01-01A	-035	02
S3329-5	77-40-00-01	-001A	01	S3431-3A	55-10-00-01	-078	02
S3330-1	37-10-00-04	-003	01	S3431-3A	55-10-00-01	-078A	04
S3330-2	37-10-00-04	-003A	02	S3431-3A	55-30-00-01	-008	06
S3331-1	28-22-00-03	-001	NP	S3432-2A	57-40-00-01	-027	01
S3331-1	28-22-00-03	-001A	NP	S3443-1-1	24-61-00-01	-005A	01
S3331-2	28-22-00-03	-001B	NP	S3443-1-1	24-61-00-01A	-004	01
S3331-2	28-22-00-03	-001C	NP	S3443-1-1	31-10-00-01	-017	01
S3333-1	27-10-00-02	-026	01	S3461-107	57-00-00-01	-007	NP
S3333-2	27-10-00-02	-026A	01	S3461-108	32-10-00-01	-003A	02
S3333-2	27-10-00-02	-026B	01	S3461-108	32-10-00-01	-003B	02
S3333-2	27-10-00-02A	-023	01	S3461-111	57-10-03-01	-006	01
S3333-3	27-10-00-02	-027	01	S3461-116	57-10-03-01	-003	01
S3346-1	37-10-00-01	-023	01	S3461-117	57-00-00-01	-003	02
S3346-1	37-10-00-02	-028	01	S3478-1	24-61-00-01B	-016	01
S3346-1	37-10-00-03	-023	01	S3484-4-8G1	31-20-01-01	-002B	04
S3353-1	33-13-00-01	-002	01	S3484-4-8G1	31-20-01-01	-002C	04
S3353-1	79-30-00-01	-013A	01	S3484-4-8G1	34-51-00-01	-091	02
S3371-1	34-11-00-01	-002	01	S3484-6-12G1	28-22-00-03	-008	04
S3371-1	34-11-00-01	-002A	01	S3484-6-12G1	34-50-00-01	-001H	04
S3377-1-1	24-61-00-01	-005	01	S3484-6-12G1	34-50-00-01	-005J	04
S338-7	53-11-00-03	-079	04	S3484-6-12G1	34-50-00-01	-008	03
S339-P2	53-11-00-03	-080	01	S3484-6-12G1	37-10-00-04	-006	04
S3392-1	25-20-00-01	-006	NP	S3484-6-12G1	37-10-00-05	-004	04
S3392-1	25-20-00-02	-007A	NP	S3484-6-12G1	79-30-00-01	-014	04
S3392-2	25-20-00-01	-006A	NP	S3484-6-14G1	31-30-00-01	-002	02
S3392-2	25-20-00-02	-007	NP	S3484-6-14G1	31-30-00-01	-002A	02
S3392-3	25-20-00-01	-006B	NP	S3484-6-14G1	34-10-00-01	-002A	04
S3392-3	25-20-00-02	-007B	NP	S3484-6-14G1	34-11-00-01	-003	03

CESSNA AIRCRAFT COMPANY
MODEL 172 (SERIES 1996 AND ON)
ILLUSTRATED PARTS CATALOG

PART NUMBER	CH SEC SUBJ FIG	ITEM	REQ	PART NUMBER	CH SEC SUBJ FIG	ITEM	REQ
S3484-6-14G1	34-11-00-01	-011	03	S378-4	27-10-00-03	-024	02
S3484-6-14G1	34-11-00-01	-019	03	S378-4	27-10-00-03	-028	01
S3484-6-14G1	37-10-00-04	-002	04	S378-4	27-10-00-03	-033	01
S3484-6-14G1	37-10-00-04	-004	03	S378-4	27-20-00-01	-026	02
S3484-6-14G1	37-10-00-05	-002	04	S3798-1-4	23-60-00-01	-007B	02
S3484-6-14G1	37-10-00-06	-003	04	S3798-1-4	23-60-00-01	-007C	02
S3484-6-14G1	77-20-00-01	-002	04	S3827-1	34-11-00-01	-001B	01
S3484-6-14G1	77-40-00-01	-002	04	S3827-1	34-11-00-01	-001C	01
S3484-6-8B	25-60-00-03	-015	04	S3839-2	31-10-00-01	-107	04
S3528-5B	34-40-00-01	-008	01	S3852-1	28-22-00-03	-002F	01
S3528-5D	22-10-00-01	-255	01	S3852-1	28-22-00-03	-002G	01
S3547-1	52-10-00-01	-024	01	S3852-2	28-22-00-03	-002D	01
S3547-1	52-30-00-01	-010A	01	S3852-2	28-22-00-03	-002E	01
S3547-1	74-00-00-01	-002	01	S3895-1	27-30-01-02	-016	01
S3594-1	28-22-00-03	-002B	NP	S3895-1	55-20-00-01	-111	01
S3594-1	28-22-00-03	-002C	NP	S3922S4	25-21-00-01	-232B	02
S3594-2	28-22-00-03	-002	NP	S3922S4	25-21-00-01	-232C	02
S3594-2	28-22-00-03	-002A	NP	S3922S5	25-21-00-01	-228B	01
S3707-4	37-10-00-04	-011	01	S3922S5	25-21-00-01	-228C	01
S3707-4	37-10-00-04	-023	AR	S3926-8-14N	25-20-10-04	-012D	AR
S3707-4	37-10-00-05	-016	01	S3926-8-14N	25-20-10-04	-012E	AR
S3707-4	37-10-00-05	-016A	01	S3926-8-14N	33-11-01-02	-013	03
S3707-4	37-10-00-06	-013	01	S3926-8-14V	09-10-00-01	-003B	01
S3707-4	37-10-00-07	-026	AR	S3926-8-14V	09-10-00-01	-003C	01
S3707-6	37-10-00-04	-008	01	S3926-8-14V	25-20-10-04	-012B	AR
S3707-6	37-10-00-04	-026	AR	S3926-8-14V	25-20-10-04	-012C	AR
S3707-6	37-10-00-05	-011	01	S3926-8-16N	25-20-10-04	-012F	AR
S3707-6	37-10-00-05	-011A	01	S3926-8-16N	25-20-10-04	-012G	AR
S3707-6	37-10-00-05	-020	01	S3926-8-16N	33-11-01-02	-016	03
S3707-6	37-10-00-05	-020A	01	S3926-8-16U	33-11-01-01	-023	03
S3707-6	37-10-00-05	-025	01	S3926-8-16U	33-11-01-01	-024	03
S3707-6	37-10-00-05	-025A	01	S3926-8-16V	33-11-01-01	-003A	AR
S3707-6	37-10-00-06	-009	01	S3927-8-10N	25-20-10-05	-026	08
S3707-6	37-10-00-06	-016	01	S3927-8-10N	25-20-10-05	-026A	08
S3707-6	37-10-00-06	-018	01	S3927-8-10V	25-20-10-05	-025D	08
S3707-6	37-10-00-07	-024	AR	S3927-8-10V	25-20-10-05	-025E	08
S3707-6	37-10-00-07	-024A	AR	S3928-4-10AB	25-10-00-01	-080B	04
S3707-6	37-10-00-07	-024B	AR	S3928-4-10AB	25-10-00-05	-028	04
S3707-6	37-10-00-07	-024C	AR	S3928-4-10AC	25-20-00-05	-021B	AR
S3707-8	37-10-00-07	-015	AR	S3928-4-10AC	25-20-00-05	-021C	AR
S3743-1	52-10-00-01	-038	AR	S3928-4-10AC	25-20-00-05	-078B	AR
S3743-1	56-30-00-01	-091D	AR	S3928-4-10AC	25-20-00-05	-078C	AR
S378-1	22-10-00-01	-158	01	S3928-4-10AC	25-20-00-06	-021B	AR
S378-1	22-10-00-03	-031	02	S3928-4-10AC	25-20-00-06	-021C	AR
S378-1	27-30-01-01	-012	04	S3928-4-10AC	25-20-00-06	-078B	AR
S378-1L	27-30-01-01	-016	06	S3928-4-10AC	25-20-00-06	-078C	AR
S378-1L	27-50-00-01	-086	02	S3928-4-10P	25-10-00-01	-080	04
S378-1L	32-32-00-02	-041	01	S3928-4-10P	25-10-00-01	-080A	04
S378-2	22-10-00-02A	-011	02	S3928-4-10T	21-20-00-01	-088	02
S378-2	27-50-00-01	-080	02	S3928-4-10T	21-20-00-01	-088A	02
S378-3	27-30-00-01	-019	01	S3928-4-10X	25-10-00-01	-080C	04
S378-3L	22-10-00-01	-240	01	S3928-4-10X	25-10-00-01	-080D	04
S378-3L	22-10-00-02	-015	01	S3928-4-10X	25-20-00-05	-021	AR
S378-3L	27-10-00-03	-075	02	S3928-4-10X	25-20-00-05	-021A	AR
S378-3L	27-20-00-01	-018	02	S3928-4-10X	25-20-00-05	-078	AR
S378-3L	27-20-00-01	-022	02	S3928-4-10X	25-20-00-05	-078A	AR
S378-3L	27-30-00-01	-020	01	S3928-4-10X	25-20-00-06	-021	AR
S378-3L	27-30-00-01	-024	02	S3928-4-10X	25-20-00-06	-021A	AR
S378-4	27-10-00-01	-013	04	S3928-4-10X	25-20-00-06	-078	AR
S378-4	27-10-00-03	-010	02	S3928-4-10X	25-20-00-06	-078A	AR
S378-4	27-10-00-03	-015	02	S3928-4-6AC	25-20-00-05	-019C	AR
S378-4	27-10-00-03	-020	02	S3928-4-6AC	25-20-00-05	-019D	AR

CESSNA AIRCRAFT COMPANY
MODEL 172 (SERIES 1996 AND ON)
 ILLUSTRATED PARTS CATALOG

PART NUMBER	CH SEC SUBJ FIG	ITEM	REQ	PART NUMBER	CH SEC SUBJ FIG	ITEM	REQ
S3928-4-6AC	25-20-00-05	-076B	AR	S4193-2	11-LQ-24-01	-002E	NP
S3928-4-6AC	25-20-00-05	-076C	AR	S4193-3	11-LQ-24-01	-002F	01
S3928-4-6AC	25-20-00-06	-019B	AR	S4194-1	11-LQ-32-01	-001A	NP
S3928-4-6AC	25-20-00-06	-019C	AR	S4194-1	11-LQ-32-01	-001B	NP
S3928-4-6AC	25-20-00-06	-076B	AR	S4213-1	21-20-00-01	-089	02
S3928-4-6AC	25-20-00-06	-076C	AR	S4213-1	21-20-00-01	-089A	02
S3928-4-6X	25-20-00-05	-019	AR	S4213-1	25-20-00-01	-009	02
S3928-4-6X	25-20-00-05	-019A	AR	S4213-1	25-20-00-02	-006	02
S3928-4-6X	25-20-00-05	-076	AR	S4213-1	25-20-00-03	-003	01
S3928-4-6X	25-20-00-05	-076A	AR	S4213-1	25-20-00-03	-003A	01
S3928-4-6X	25-20-00-06	-019	AR	S4213-1	25-20-00-03	-003B	01
S3928-4-6X	25-20-00-06	-019A	AR	S4213-1	25-20-00-03	-003C	01
S3928-4-6X	25-20-00-06	-076	AR	S4213-1	25-20-00-04	-003	01
S3928-4-6X	25-20-00-06	-076A	AR	S4213-1	25-20-00-04	-003A	01
S3928-4-8AC	25-20-00-05	-020B	AR	S4213-1	25-20-00-04	-003B	01
S3928-4-8AC	25-20-00-05	-020C	AR	S4213-1	25-20-00-04	-003C	01
S3928-4-8AC	25-20-00-05	-077B	AR	S4213-1	52-10-00-01	-035	01
S3928-4-8AC	25-20-00-05	-077C	AR	S4213-1	52-10-00-02	-029	01
S3928-4-8AC	25-20-00-06	-020B	AR	S4213-10	25-70-00-01	-004B	01
S3928-4-8AC	25-20-00-06	-020C	AR	S4213-12	27-31-00-01	-006	03
S3928-4-8AC	25-20-00-06	-077B	AR	S4213-12	78-10-00-01	-003E	06
S3928-4-8AC	25-20-00-06	-077C	AR	S4213-14	53-10-00-01	-083	06
S3928-4-8X	25-20-00-05	-020	AR	S4213-14	53-21-00-01	-024	01
S3928-4-8X	25-20-00-05	-020A	AR	S4213-14	55-10-00-01	-029	04
S3928-4-8X	25-20-00-05	-077	AR	S4213-14	57-10-02-01	-168	01
S3928-4-8X	25-20-00-05	-077A	AR	S4213-14	57-10-02-01	-172	03
S3928-4-8X	25-20-00-06	-020	AR	S4213-14	57-10-02-01	-173	03
S3928-4-8X	25-20-00-06	-020A	AR	S4213-14	57-10-02-01	-174	01
S3928-4-8X	25-20-00-06	-077	AR	S4213-14	57-10-02-01	-175	01
S3928-4-8X	25-20-00-06	-077A	AR	S4213-14	57-40-00-01	-022	03
S3928-4-XR	25-20-00-03	-006A	AR	S4213-16	34-11-00-01	-049	01
S3928-4-XR	25-20-00-04	-006A	AR	S4213-16	34-11-00-01	-049A	01
S3930-1-09	52-10-00-01	-002B	06	S4213-16	57-40-00-01	-018	03
S3930-1-09	52-10-00-01	-002C	06	S4213-18	25-20-10-05	-027B	08
S394	27-10-00-03	-079	03	S4213-18	25-20-10-05	-027C	08
S394	27-10-00-03	-079A	03	S4213-18	25-20-10-05	-028	08
S4003-1	11-N-25-01	-001B	02	S4213-18	25-20-10-05	-028A	08
S4003-1	11-N-25-01	-001C	02	S4213-18	27-31-00-01	-013	04
S4003-2	11-N-25-01	-001D	02	S4213-5	27-31-00-01	-007	01
S4003-2	11-N-25-01	-001E	02	S4214-6	21-20-00-01	-007	02
S4004-3	11-C-25-01	-003	02	S4215-1	21-40-00-01	-024	04
S4004-3	11-C-25-01	-004	02	S4215-4	21-20-00-01	-014	02
S4004-3	11-N-25-01	-002D	02	S4215-4	28-21-00-01	-045	01
S4004-3	11-N-25-01	-002E	02	S4215-4	28-21-00-01	-159	01
S4011-2	52-10-00-01	-006B	01	S4215-4	33-40-00-01	-029	04
S4011-2	52-10-00-01	-006C	01	S4215-4	33-40-00-01A	-020	04
S4121-1	57-10-02-01	-098	01	S4215-4	34-11-00-01	-081G	01
S4121-1	57-10-02-01	-098A	01	S4215-4	34-11-00-01	-081H	01
S4132-1	32-32-00-01	-028	01	S4215-4	34-11-00-02	-007	01
S4132-2	27-50-00-02	-102	01	S4215-4	53-10-01-02	-004	02
S4190-1	11-EC-25-01	-002	02	S4215-4	57-40-00-01	-036	01
S4190-1	11-LQ-25-01	-002A	02	S4215-4	71-11-00-01	-092	04
S4190-1	11-LQ-25-01	-002B	02	S4216-1	33-40-00-01	-007	04
S4191-1	11-EC-22-01	-001	01	S4216-1	33-40-00-01	-043	04
S4191-1	11-LQ-22-01	-001A	01	S4216-1	33-40-00-01A	-002	04
S4191-1	11-LQ-22-01	-001B	01	S4216-1	33-40-00-01A	-010	04
S4192-1	11-LQ-32-01	-002	01	S4236-10	24-34-00-02	-002	01
S4192-1	11-LQ-32-01	-002A	01	S4236-7	24-34-00-02	-001B	01
S4193-1	11-LQ-24-01	-002B	NP	S4236-7	24-34-00-02	-001C	01
S4193-1	11-LQ-24-01	-002C	NP	S4270-1	11-PP-32-01	-001B	01
S4193-2	11-EC-24-01	-002	01	S4270-1	11-PP-32-01	-001C	01
S4193-2	11-LQ-24-01	-002D	NP	S4297-1	11-EC-32-01	-001	01

CESSNA AIRCRAFT COMPANY
MODEL 172 (SERIES 1996 AND ON)
 ILLUSTRATED PARTS CATALOG

PART NUMBER	CH	SEC	SUBJ	FIG	ITEM	REQ	PART NUMBER	CH	SEC	SUBJ	FIG	ITEM	REQ
S4297-1	11	LQ	32	01	-001C	01	U065034	25	20	00	03	-014B	AR
S4297-1	11	LQ	32	01	-001D	01	U065034	25	20	00	04	-014B	AR
S4327-1	11	UR	28	01	-001	02	U065041	25	10	01	01	-009	AR
S4327-1	11	UR	28	01	-001A	02	U065043	25	20	00	01	-080A	AR
S4354-1	11	N	24	01	-002B	03	UG306B/U	23	50	00	01	-007	01
S4355-1	11	D	24	01	-002B	01	UG306B/U	34	53	00	04	-005	01
S4356-1	11	PP	24	01	-002A	01	UL18-020VSP1	25	10	00	03	-029	01
S4357-1	11	F	24	01	-002A	01	UL18-020VSP1	25	10	00	03	-029A	01
S4358-1	11	YR	24	01	-001B	01	V3	11	00	00	01	-011	AR
S4420-1	11	VN	25	01	-001	02	V7-1C17E9-201	27	50	00	01	-038	02
S4420-2	11	VN	22	01	-001	01	VA13100	25	11	00	01	-004	01
S4420-3	11	VN	24	01	-001	03	VA13100	25	11	00	01	-005	01
S4441-1	11	N	22	01	-005B	01	VH	11	00	00	01	-005	AR
S5	11	00	00	01	-100	AR	VP-B	11	00	00	01	-012	AR
S51-20-4	25	10	03	01A	-016A	01	VP-C	11	00	00	01	-020	AR
S51-6	71	70	00	01	-001	AR	VP-L	11	00	00	01	-112	AR
SE	11	00	00	01	-105	AR	VT	11	00	00	01	-042	AR
SE-1051-2	32	20	02	01	-001B	01	W-39623	33	10	01	02	-004	01
SE-1051-2	32	20	02	01	-001C	01	W1283	33	40	00	02	-023	01
SE-1051-4	32	20	02	01	-001D	01	W1283	33	40	00	02	-023A	01
SE-1051-4	32	20	02	01	-001E	01	W1284-G	33	40	00	02	-008	01
SL101-4	32	50	00	01	-011B	01	W1284-G	33	40	00	02	-008A	01
SL101-4	32	50	00	01	-011C	01	W1284-R	33	40	00	02	-005	01
SP	11	00	00	01	-091	AR	W1284-R	33	40	00	02	-005A	01
SP22306	25	10	00	03	-033	01	W1290-28	33	40	00	02	-021C	01
SPL1925-1	25	10	00	02	-014F	01	W39623	33	10	01	01	-021	01
SPL1925-1	25	10	00	02	-014G	01	W39623	33	10	01	01	-022	01
SPL1925-1	25	10	00	03	-008	01	WP-3276	25	20	00	01	-083	NP
SPL1925-1	25	10	00	03	-008A	01	WP-3276	25	20	00	02	-089A	NP
SSD120-20	34	11	00	01	-086B	01	WP-3281	25	20	00	01	-082	NP
SSD120-20	34	11	00	01	-086C	01	WP-3281	25	20	00	02	-088	NP
SSD120-30A	34	11	00	01	-086	01	WP-3282	25	20	00	01	-084	NP
SSD120-30A	34	11	00	01	-086A	01	WP-3282	25	20	00	02	-089	NP
SSD120-30A-RS232	34	11	00	01	-087	01	WP150	11	10	00	01	-207	AR
SSD120-30A-RS232	34	11	00	01	-087A	01	X61-0007	24	60	00	01	-004	01
STD1411	37	10	00	01	-026	08	X61-0007	24	60	00	01	-008	01
STD1411	37	10	00	02	-032	08	X61-0007	24	60	00	01	-009	01
STD1411	37	10	00	03	-026	08	X61-0012	24	60	00	01	-007	01
SU	11	00	00	01	-030	AR	XA	11	00	00	01	-076	AR
SW811-172/182-2P	25	23	00	01	-008	01	XB	11	00	00	01	-077	AR
SX	11	00	00	01	-036	AR	XC	11	00	00	01	-078	AR
T7	11	00	00	01	-097	AR	Y-16440-2-148	71	20	00	01	-024	02
TC	11	00	00	01	-108	AR	Y-16440-2-148	71	20	00	02	-020	02
TE-10985-02	77	20	00	01	-003F	NP	Y-16440-2-148	71	20	00	03	-020	02
TE-10985-02	77	20	00	01	-003G	NP	Y8671	32	10	00	01	-014	AR
TE-40998-02	77	20	00	01	-003D	NP	YR	11	00	00	01	-095	AR
TE-40998-02	77	20	00	01	-003E	NP	YU	11	00	00	01	-099	AR
TF	11	00	00	01	-041	AR	YV	11	00	00	01	-111	AR
TG	11	00	00	01	-037	AR	ZK	11	00	00	01	-082	AR
TI	11	00	00	01	-024	AR	ZL	11	00	00	01	-083	AR
U065033	25	20	00	01	-080	NP	ZM	11	00	00	01	-084	AR
U065033	25	20	00	02	-085	AR	ZP	11	00	00	01	-088	AR
U065033	25	20	00	03	-014A	AR	ZS	11	00	00	01	-101	AR
U065033	25	20	00	04	-014A	AR	ZT	11	00	00	01	-102	AR
U065034	25	20	00	01	-081	AR	ZU	11	00	00	01	-103	AR
U065034	25	20	00	02	-086	AR							

CHAPTER

9

TOWING AND TAXIING

CESSNA AIRCRAFT COMPANY
MODEL 172 (SERIES 1996 AND ON)
ILLUSTRATED PARTS CATALOG

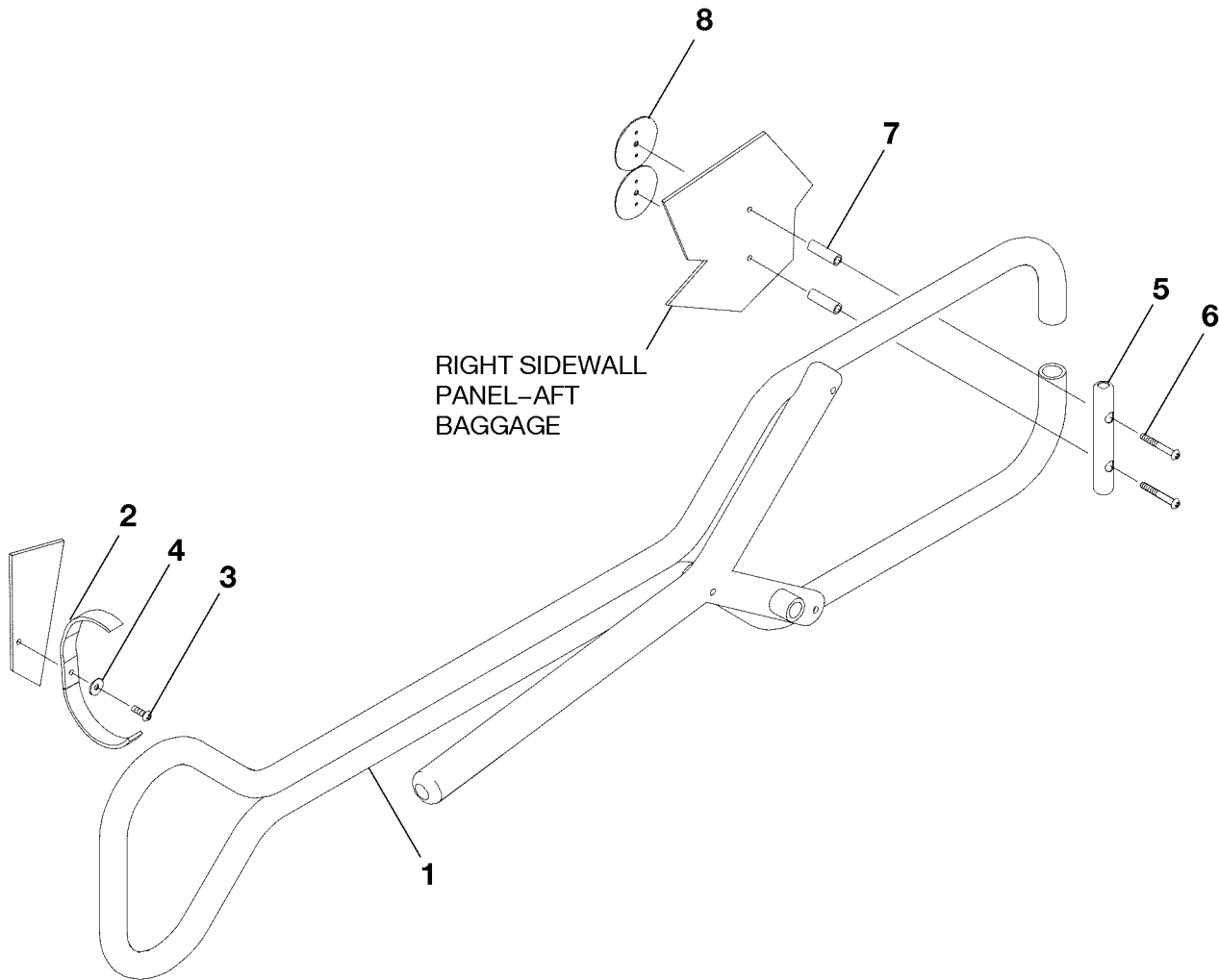
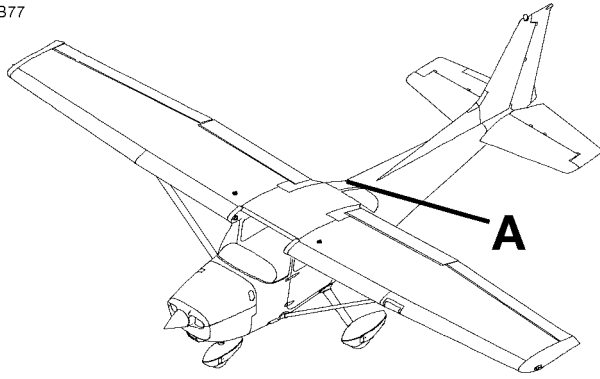
CHAPTER SECTION SUBJECT		NUMBER OF PAGES	DATE
09 - TITLE			
09 - LIST OF EFFECTIVE PAGES			
09 - RECORD OF TEMPORARY REVISIONS			
09 - TABLE OF CONTENTS			
09-10-00	Figure 01	2	Jan 1/2012

CESSNA AIRCRAFT COMPANY
MODEL 172 (SERIES 1996 AND ON)
ILLUSTRATED PARTS CATALOG

<u>SUBJECT</u>	<u>CHAPTER SECTION SUBJECT</u>	<u>FIGURE</u>	<u>EFFECTIVITY</u>	
			<u>START</u>	<u>END</u>
TOW BAR INSTALLATION	09-10-00	01		

CESSNA AIRCRAFT COMPANY
MODEL 172 (SERIES 1996 AND ON)
ILLUSTRATED PARTS CATALOG

B77



DETAIL A

TOW BAR INSTALLATION
FIGURE 01 (SHEET 1)

0510T1007
A0714T1016

CESSNA AIRCRAFT COMPANY
MODEL 172 (SERIES 1996 AND ON)
 ILLUSTRATED PARTS CATALOG

FIG ITEM	PART NUMBER	NOMENCLATURE	UNITS	
			PER	ASSY
01		TOW BAR INSTALLATION		RF
-		. TOW BAR ASSY		01
1	0501019-1	. TOW BAR ASSY		01
2	0515061-6	. STRAP ASSY 172	80001 80983	01
- 2A	0515061-6	. STRAP ASSY 172S	08001 08703	01
- 2B	0515061-12	. STRAP ASSY 172	80984 81200	01
- 2C	0515061-12	. STRAP ASSY 172S	08704 09568	01
- 2D	0515061-14	. STRAP ASSY 172	81201 81568	01 R
- 2E	0515061-14	. STRAP ASSY 172S	09569 11045	01 R
- 2F	0515061-16	. STRAP ASSY 172	81569 & ON	01 R
- 2G	0515061-16	. STRAP ASSY 172S	11046 & ON	01 R
		ATTACHING PARTS		
3	FCM8C14DS04GY	. SCREW FSO S3926-8-14V 172	80001 80983	01
- 3A	FCM8C14DS04GY	. SCREW FSO S3926-8-14V 172S	08001 08703	01
- 3B	S3926-8-14V	. SCREW 172	80001 80983	01
- 3C	S3926-8-14V	. SCREW 172S	08001 08703	01
- 3D	MS35206-245	. SCREW GREY 172	80984 & ON	01
- 3E	MS35206-245	. SCREW GREY 172S	08704 & ON	01
4	S1450-2-10-032	. WASHER		01
		—*—		
5	0512242-1	. HOLDER FSO 0519066-2 172	80001 81160	NP
- 5A	0512242-1	. HOLDER FSO 0519066-2 172S	08001 09361	NP
- 5B	0519066-2	. HOLDER 172	81161 & ON	01
- 5C	0519066-2	. HOLDER 172S	09362 & ON	01
		ATTACHING PARTS		
6	AN515-8R26	. SCREW		01
7	NAS43DD3-64FC	. SPACER		01
- 7A	NAS43DD3-64N	. SPACER ALT FOR NAS43DD3-64FC		01
8	0501019-10	. WASHER NUT ASSY		01
		—*—		

CHAPTER

11

**PLACARDS
AND
MARKINGS**

CESSNA AIRCRAFT COMPANY
MODEL 172 (SERIES 1996 AND ON)
 ILLUSTRATED PARTS CATALOG

CHAPTER SECTION SUBJECT		NUMBER OF PAGES	DATE
11 - TITLE			
11 - LIST OF EFFECTIVE PAGES			
11 - RECORD OF TEMPORARY REVISIONS			
11 - TABLE OF CONTENTS			
11-00-00	Figure 01	4	Jul 1/2010
11-00-00	Figure 02	2	Jul 1/2007
11-10-00	Figure 01	6	Jul 1/2007
11-10-00	Figure 02	2	Jan 2/2006
11-10-00	Figure 03	2	Jan 2/2006
11-10-00	Figure 04	2	Jul 3/2006
11-10-00	Figure 05	2	Jul 1/2010
11-10-00	Figure 06	2	Jul 1/2010
11-10-00	Figure 07	2	Jul 1/2010
11-10-00	Figure 08	2	Jan 1/2012
11-10-00	Figure 09	2	Jan 1/2012
11-10-00	Figure 10	2	Jan 1/2012
11-10-00	Figure 11	2	Jul 1/2012
11-10-00	Figure 12	2	Jul 1/2016
11-10-00	Figure 13	2	Jul 1/2016
11-C-25	Figure 01	2	Jul 1/2007
11-C-31	Figure 01	2	Jan 1/2009
11-D-22	Figure 01	2	Dec 6/2004
11-D-24	Figure 01	2	Jul 1/2016
11-D-25	Figure 01	2	Dec 6/2004
11-D-31	Figure 01	4	Dec 6/2004
11-D-31	Figure 02	2	Dec 6/2004
11-D-32	Figure 01	2	Dec 6/2004
11-D-38	Figure 01	2	Dec 6/2004
11-EC-22	Figure 01	2	Jul 1/2012
11-EC-24	Figure 01	2	Jul 1/2012
11-EC-25	Figure 01	2	Jul 1/2012
11-EC-31	Figure 01	2	Jul 1/2012
11-EC-32	Figure 01	2	Jul 1/2012
11-EC-38	Figure 01	2	Jul 1/2012
11-F-22	Figure 01	2	Dec 6/2004
11-F-24	Figure 01	2	Jul 1/2016
11-F-25	Figure 01	2	Dec 6/2004
11-F-31	Figure 01	2	Jul 3/2006
11-F-32	Figure 01	2	Jan 1/2009
11-JA-22	Figure 01	2	Jul 1/2015
11-JA-24	Figure 01	2	Jul 1/2015
11-JA-25	Figure 01	2	Jul 1/2015
11-JA-31	Figure 01	2	Jul 1/2015
11-LQ-22	Figure 01	2	Jul 1/2012
11-LQ-24	Figure 01	2	Jul 1/2016
11-LQ-25	Figure 01	2	Jul 1/2012
11-LQ-31	Figure 01	2	Jul 1/2013
11-LQ-32	Figure 01	2	Jul 1/2012
11-LQ-38	Figure 01	2	Jul 1/2013
11-N-22	Figure 01	2	Jul 1/2016
11-N-24	Figure 01	2	Jul 1/2016
11-N-25	Figure 01	2	Jan 1/2012
11-N-27	Figure 01	2	Dec 6/2004
11-N-31	Figure 01	6	Jul 1/2012
11-N-31	Figure 02	2	Jan 1/2009

11 - LIST OF EFFECTIVE PAGES

CESSNA AIRCRAFT COMPANY
MODEL 172 (SERIES 1996 AND ON)
 ILLUSTRATED PARTS CATALOG

CHAPTER SECTION SUBJECT		NUMBER OF PAGES	DATE
11-N-31	Figure 03	6	Jan 2/2006
11-N-32	Figure 01	2	Jan 1/2009
11-N-38	Figure 01	2	Dec 6/2004
11-PP-22	Figure 01	2	Dec 6/2004
11-PP-24	Figure 01	2	Jul 1/2016
11-PP-25	Figure 01	2	Dec 6/2004
11-PP-31	Figure 01	2	Dec 6/2004
11-PP-32	Figure 01	2	Jan 1/2012
11-PP-38	Figure 01	2	Dec 6/2004
11-RA-28	Figure 01	2	Jan 1/2009
11-UR-28	Figure 01	2	Jul 1/2013
11-VN-22	Figure 01	2	Jul 1/2015
11-VN-24	Figure 01	2	Jul 1/2015
11-VN-25	Figure 01	2	Jul 1/2015
11-XA-31	Figure 01	2	Jul 1/2012
11-YR-24	Figure 01	2	Jul 1/2016
11-YR-25	Figure 01	2	Jan 1/2012
11-YR-27	Figure 01	2	Jan 1/2012
11-YR-31	Figure 01	2	Jan 1/2012
11-YR-33	Figure 01	2	Jan 1/2012

CESSNA AIRCRAFT COMPANY
MODEL 172 (SERIES 1996 AND ON)
 ILLUSTRATED PARTS CATALOG

<u>SUBJECT</u>	<u>CHAPTER SECTION SUBJECT</u>	<u>FIGURE</u>	<u>EFFECTIVITY</u>	
			<u>START</u>	<u>END</u>
PLACARD LOCATION	11-00-00	01		
INTERIOR PAINT CODES	11-00-00	02	80356 10424	& ON & ON
EXTERIOR GRAPHICS	11-10-00	01		
EXTERIOR GRAPHICS 172	11-10-00	02	80984	81142
EXTERIOR GRAPHICS 172S	11-10-00	03	08704	09288
EXTERIOR GRAPHICS	11-10-00	04	81143 09289	81200 09568
EXTERIOR GRAPHICS	11-10-00	05	81201 09569	81233 09770
EXTERIOR GRAPHICS	11-10-00	06	81234 09771	81272 10102
EXTERIOR GRAPHICS	11-10-00	07	81273 10103	81355 10423
EXTERIOR GRAPHICS	11-10-00	08	81357 10432	81496 10655
EXTERIOR GRAPHICS	11-10-00	09	81497 10656	81544 10885
EXTERIOR GRAPHICS	11-10-00	10	81545 10886	& ON & ON
EXTERIOR GRAPHICS	11-10-00	11	81564 11022	81602 11153
EXTERIOR GRAPHICS	11-10-00	12	81603 11154	& ON 11661
EXTERIOR GRAPHICS	11-10-00	13	11662	& ON
CANADIAN EXTERIOR PLACARDS AND MARKINGS - WINGS	11-C-25	01		
CANADA INTERIOR PLACARDS AND MARKINGS-FLIGHT COMPARTMENT	11-C-31	01		
GERMAN EXTERIOR PLACARDS AND MARKINGS - FUSELAGE	11-D-22	01		
GERMAN EXTERIOR PLACARDS AND MARKINGS - COWLING	11-D-24	01		
GERMAN EXTERIOR PLACARDS AND MARKINGS - WINGS	11-D-25	01		
GERMAN INTERIOR PLACARDS AND MARKINGS - FLIGHT COMPARTMENT	11-D-31	01		
GERMAN INTERIOR PLACARDS AND MARKINGS - SEATS	11-D-31	02		
GERMAN INTERIOR PLACARDS AND MARKINGS - CABIN	11-D-32	01		
GERMAN INTERIOR PLACARDS AND MARKINGS - CABIN DOORS	11-D-38	01		
SPANISH EXTERIOR PLACARDS AND MARKINGS-FUSELAGE	11-EC-2	01		
	2			
SPANISH EXTERIOR PLACARDS AND MARKINGS-COWLING	11-EC-2	01		
	4			
SPANISH EXTERIOR PLACARDS AND MARKINGS-WINGS	11-EC-2	01		
	5			
SPANISH INTERIOR PLACARDS AND MARKINGS-SEATS	11-EC-3	01		
	1			
SPANISH INTERIOR PLACARDS AND MARKINGS-CABIN	11-EC-3	01		
	2			
SPANISH INTERIOR PLACARDS AND MARKINGS-CABIN DOORS	11-EC-3	01		
	8			
FRENCH EXTERIOR PLACARDS AND MARKINGS - FUSELAGE	11-F-22	01		
FRENCH EXTERIOR PLACARDS AND MARKINGS - COWLING	11-F-24	01		
FRENCH EXTERIOR PLACARDS AND MARKINGS - WINGS	11-F-25	01		
FRENCH INTERIOR PLACARDS AND MARKINGS - FLIGHT COMPARTMENT	11-F-31	01		
FRENCH INTERIOR PLACARDS AND MARKINGS - CABIN	11-F-32	01		

CESSNA AIRCRAFT COMPANY
MODEL 172 (SERIES 1996 AND ON)
 ILLUSTRATED PARTS CATALOG

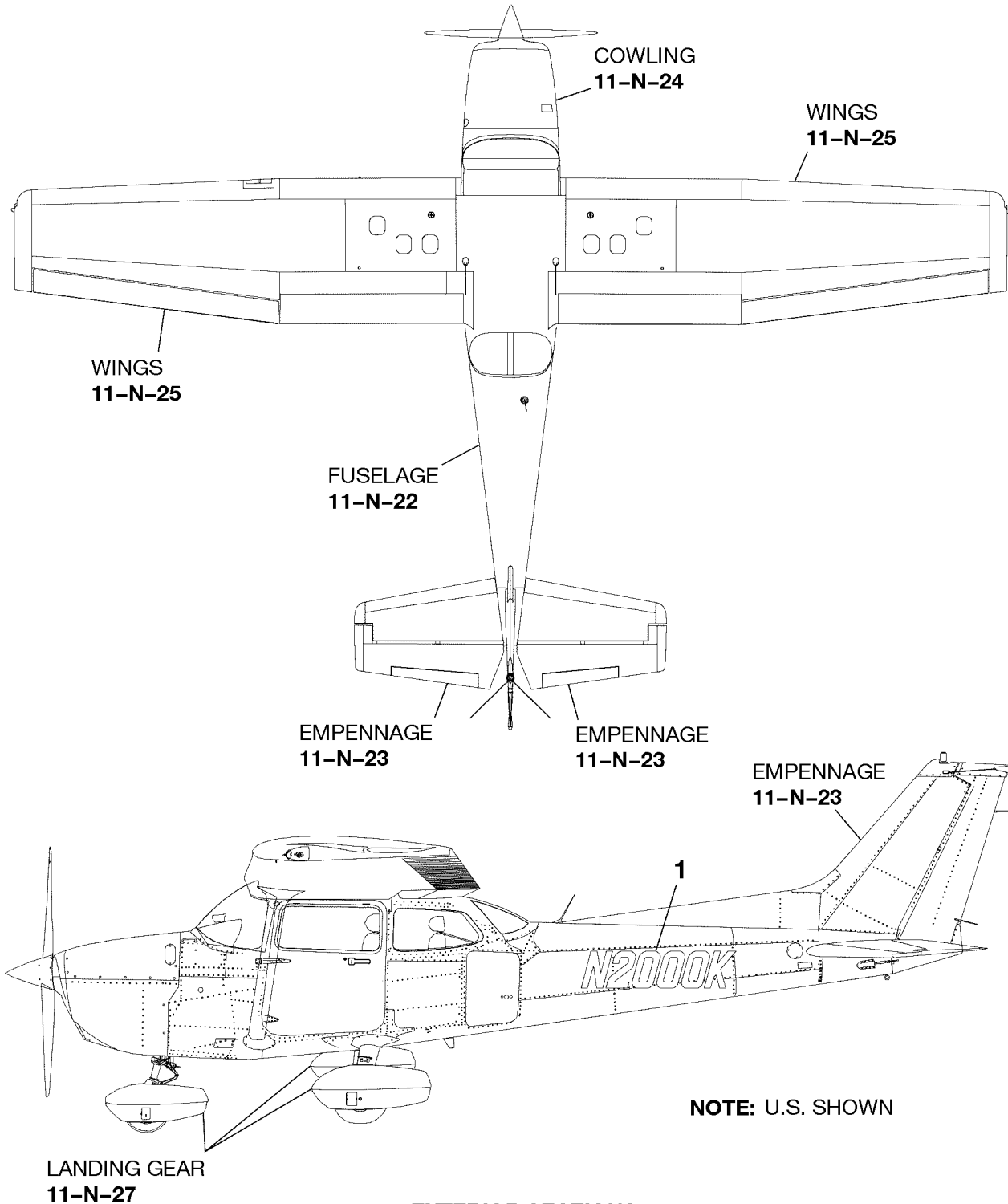
SUBJECT	CHAPTER SECTION SUBJECT	FIGURE	EFFECTIVITY	
			START	END
JAPANESE EXTERIOR PLACARDS AND MARKINGS - FUSELAGE	11-JA-22	01	10629	& ON
JAPANESE EXTERIOR PLACARDS AND MARKINGS - COWLING	11-JA-24	01	10629	& ON
JAPANESE EXTERIOR PLACARDS AND MARKINGS - WINGS	11-JA-25	01	10629	& ON
JAPANESE EXTERIOR PLACARDS AND MARKINGS - FLIGHT COMPARTMENT	11-JA-31	01	10629	& ON
ARGENTINE EXTERIOR PLACARDS AND MARKINGS - FUSELAGE	11-LQ-22	01		
ARGENTINE EXTERIOR PLACARDS AND MARKINGS - COWLING	11-LQ-24	01		
ARGENTINE EXTERIOR PLACARDS AND MARKINGS - WINGS	11-LQ-25	01		
ARGENTINE INTERIOR PLACARDS AND MARKINGS - SEATS	11-LQ-31	01		
ARGENTINE INTERIOR PLACARDS AND MARKINGS - CABIN	11-LQ-32	01		
ARGENTINE INTERIOR PLACARDS AND MARKINGS - CABIN DOORS	11-LQ-38	01		
U.S. EXTERIOR PLACARDS AND MARKINGS - FUSELAGE	11-N-22	01		
U.S. EXTERIOR PLACARDS AND MARKINGS - COWLING	11-N-24	01		
U.S. EXTERIOR PLACARDS AND MARKINGS - WINGS	11-N-25	01		
U.S. EXTERIOR PLACARDS AND MARKINGS - LANDING GEAR	11-N-27	01		
U.S. INTERIOR PLACARDS AND MARKINGS - FLIGHT COMPARTMENT	11-N-31	01		
U.S. INTERIOR PLACARDS AND MARKINGS - SEATS	11-N-31	02		
BEZEL PANEL SILKSCREENS	11-N-31	03		
U.S. INTERIOR PLACARDS AND MARKINGS - CABIN	11-N-32	01		
U.S. INTERIOR PLACARDS AND MARKINGS - CABIN DOORS	11-N-38	01		
BRAZILIAN EXTERIOR PLACARDS AND MARKINGS - FUSELAGE	11-PP-22	01		
BRAZILIAN EXTERIOR PLACARDS AND MARKINGS - COWLING	11-PP-24	01		
BRAZILIAN EXTERIOR PLACARDS AND MARKINGS - WINGS	11-PP-25	01		
BRAZILIAN INTERIOR PLACARDS AND MARKINGS - SEATS	11-PP-31	01		
BRAZILIAN INTERIOR PLACARDS AND MARKINGS - CABIN	11-PP-32	01		
BRAZILIAN INTERIOR PLACARDS AND MARKINGS - CABIN DOORS	11-PP-38	01		
RUSSIAN EXTERIOR PLACARDS AND MARKINGS-CABIN DOOR	11-RA-2 8	01		
UKRAINIAN EXTERIOR PLACARDS AND MARKINGS - CABIN DOOR	11-UR-2 8	01		
	11-VN-2			
VIETNAM EXTERIOR PLACARDS AND MARKINGS-FUSELAGE	2	01	11565	& ON
	11-VN-2			
VIETNAM EXTERIOR PLACARDS AND MARKINGS-COWLING	4	01	11565	& ON
	11-VN-2			
VIETNAM EXTERIOR PLACARDS AND MARKINGS-WINGS	5	01	11565	& ON
MEXICAN INTERIOR PLACARDS AND MARKINGS - SEATS	11-XA-31	01		
ROMANIAN EXTERIOR PLACARDS AND MARKINGS - COWLING	11-YR-2 4	01	81560 10971	& ON & ON
	11-YR-2			
ROMANIAN EXTERIOR PLACARDS AND MARKINGS-WINGS	5	01	81560 10971	& ON & ON
	11-YR-2			
ROMANIAN EXTERIOR PLACARDS AND MARKINGS-LANDING GEAR	7	01	81560 10971	& ON & ON
	11-YR-3			
ROMANIAN INTERIOR PLACARDS AND MARKINGS-SEATS	1	01	81560	& ON

CESSNA AIRCRAFT COMPANY
MODEL 172 (SERIES 1996 AND ON)
 ILLUSTRATED PARTS CATALOG

<u>SUBJECT</u>	<u>CHAPTER SECTION SUBJECT</u>	<u>FIGURE</u>	<u>EFFECTIVITY</u>	
			<u>START</u>	<u>END</u>
			10971	& ON
ROMANIAN INTERIOR PLACARDS AND MARKINGS-AFT BAGGAGE	11-YR-3 3	01	81560 10971	& ON & ON

CESSNA AIRCRAFT COMPANY
MODEL 172 (SERIES 1996 AND ON)
 ILLUSTRATED PARTS CATALOG

B3850



EXTERIOR SECTIONS
 ICAO NATIONALITY MARKS/COUNTRY DESIGNATIONS

PLACARD LOCATION
 FIGURE 01 (SHEET 1)

0510T1002
 0514T1046

CESSNA AIRCRAFT COMPANY
MODEL 172 (SERIES 1996 AND ON)
ILLUSTRATED PARTS CATALOG

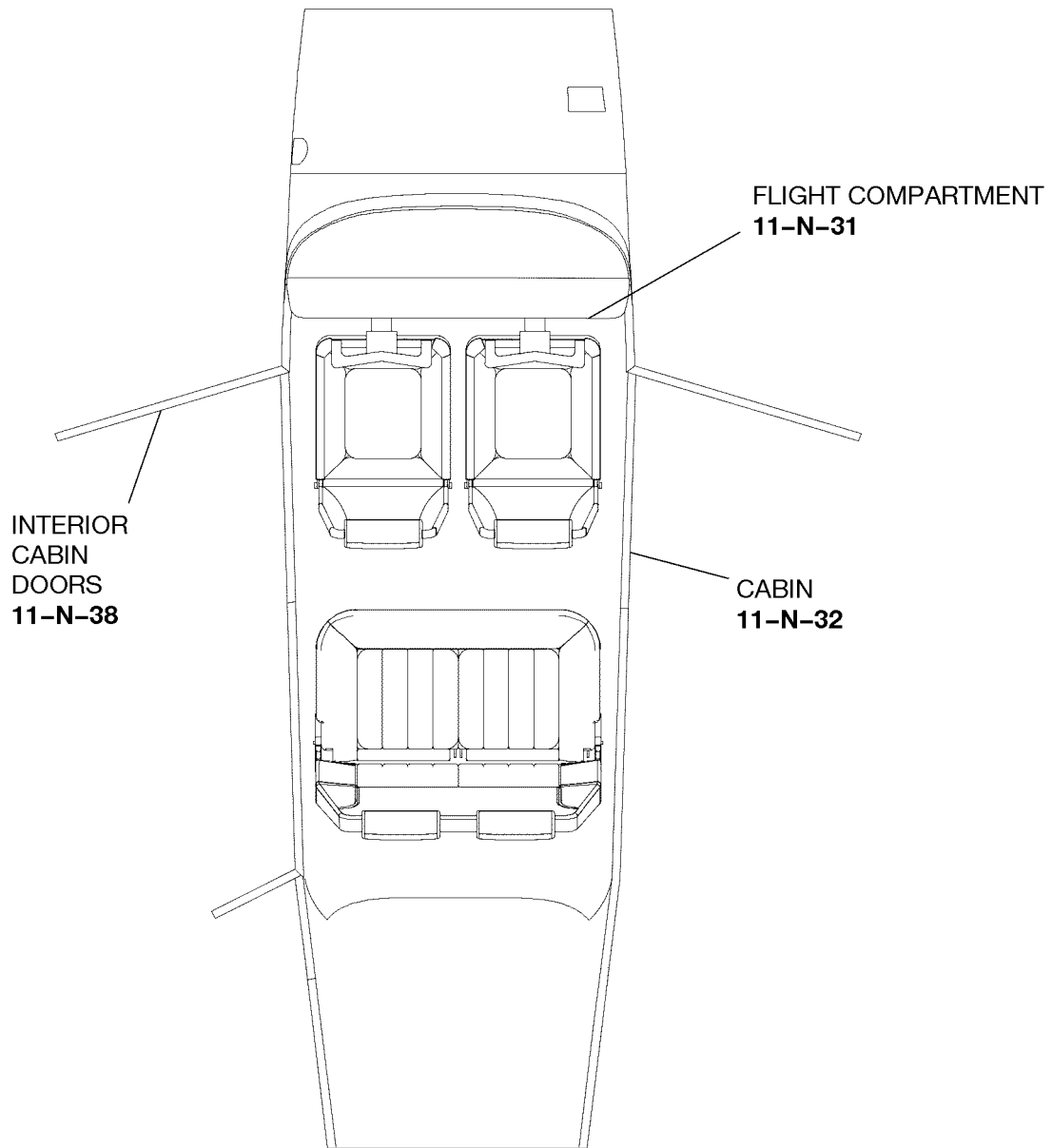
FIG ITEM	PART NUMBER	NOMENCLATURE	UNITS
			PER ASSY
01		PLACARD LOCATION REFER TO NOTE 1	RF R
- 1	N	. UNITED STATES-U.S. CERTIFIED AIRPLANES	AR R
- 2	LQ	. ARGENTINA-ARGENTINE CERTIFIED AIRPLANES	AR R
- 3	LV	. ARGENTINA-ARGENTINE CERTIFIED AIRPLANES ALT FOR LQ	AR R
- 4	P4	. ARUBA-ARUBAN CERTIFIED AIRPLANES	AR R
- 5	VH	. AUSTRALIA-AUSTRALIAN CERTIFIED AIRPLANES	AR R
- 6	OE	. AUSTRIA-AUSTRIAN CERTIFIED AIRPLANES	AR R
- 7	C6	. BAHAMAS-BAHAMAN CERTIFIED AIRPLANES	AR R
- 8	A9C	. BAHRAIN-BAHRAINIAN CERTIFIED AIRPLANES	AR R
- 9	8P	. BARBADOS-BARBADIAN CERTIFIED AIRPLANES	AR R
- 10	OO	. BELGIUM-BELGIAN CERTIFIED AIRPLANES	AR R
- 11	V3	. BELIZE-BELIZEAN CERTIFIED AIRPLANES	AR R
- 12	VP-B	. BERMUDA-BERMUDAN CERTIFIED AIRPLANES	AR R
- 13	PP	. BRAZIL-BRAZILIAN CERTIFIED AIRPLANES	AR R
- 14	PR	. BRAZIL-BRAZILIAN CERTIFIED AIRPLANES ALT FOR PP	AR R
- 15	PT	. BRAZIL-BRAZILIAN CERTIFIED AIRPLANES ALT FOR PP	AR R
- 16	PU	. BRAZIL-BRAZILIAN CERTIFIED AIRPLANES ALT FOR PP	AR R
- 17	LZ	. BULGARIA-BULGARIAN CERTIFIED AIRPLANES	AR R
- 18	C	. CANADA-CANADIAN CERTIFIED AIRPLANES	AR R
- 19	CF	. CANADA-CANADIAN CERTIFIED AIRPLANES ALT FOR C	AR R
- 20	VP-C	. CAYMAN ISLANDS-CAYMAN ISLANDS CERTIFIED AIRPLANES	AR R
- 21	CC	. CHILE-CHILEAN CERTIFIED AIRPLANES	AR R
- 22	B	. CHINA-CHINESE CERTIFIED AIRPLANES	AR R
- 23	HK	. COLOMBIA-COLOMBIAN CERTIFIED AIRPLANES	AR R
- 24	TI	. COSTA RICA-COSTA RICAN CERTIFIED AIRPLANES	AR R
- 25	9A	. CROATIA-CROATIAN CERTIFIED AIRPLANES	AR R
- 26	CU	. CUBA-CUBAN CERTIFIED AIRPLANES	AR R
- 27	OK	. CZECH REPUBLIC-CZECH REPUBLIC CERTIFIED AIRPLANES	AR R
- 28	OY	. DENMARK-DANISH CERTIFIED AIRPLANES	AR R
- 29	HI	. DOMINICAN REPUBLIC-DOMINICAN REPUBLIC CERTIFIED AIRPLANES	AR R
- 30	SU	. EGYPT-EGYPTIAN CERTIFIED AIRPLANES	AR R
- 31	ES	. ESTONIA-ESTONIAN CERTIFIED AIRPLANES	AR R
- 32	DQ	. FIJI-FIJIAN CERTIFIED AIRPLANES	AR R
- 33	OH	. FINLAND-FINNISH CERTIFIED AIRPLANES	AR R
- 34	F	. FRANCE-FRENCH CERTIFIED AIRPLANES	AR R
- 35	D	. GERMANY-GERMAN CERTIFIED AIRPLANES	AR R
- 36	SX	. GREECE-GREEK CERTIFIED AIRPLANES	AR R
- 37	TG	. GUATEMALA-GUATEMALAN CERTIFIED AIRPLANES	AR R
- 38	3X	. GUINEA-GUINEAN CERTIFIED AIRPLANES	AR R
- 39	HR	. HONDURA-HONDURAN CERTIFIED AIRPLANES	AR R
- 40	HA	. HUNGARY-HUNGARIAN CERTIFIED AIRPLANES	AR R
- 41	TF	. ICELAND-ICELANDIC CERTIFIED AIRPLANES	AR R
- 42	VT	. INDIA-INDIAN CERTIFIED AIRPLANES	AR R
- 43	PK	. INDONESIA-INDONESIAN CERTIFIED AIRPLANES	AR R
- 44	EI	. IRELAND-IRISH CERTIFIED AIRPLANES	AR R
- 45	EJ	. IRELAND-IRISH CERTIFIED AIRPLANES ALT FOR EI	AR R
- 46	M	. ISLE OF MAN-ISLE OF MAN CERTIFIED AIRPLANES	AR R
- 47	4X	. ISRAEL-ISRAELI CERTIFIED AIRPLANES	AR R
- 48	I	. ITALY-ITALIAN CERTIFIED AIRPLANES	AR R
- 49	JAA	. JAA-JAA CERTIFIED AIRPLANES	AR R
- 50	6Y	. JAMAICA-JAMAICAN CERTIFIED AIRPLANES	AR R
- 51	JA	. JAPAN-JAPANESE CERTIFIED AIRPLANES	AR R
- 52	9K	. KUWAIT-KUWAITI CERTIFIED AIRPLANES	AR R
- 53	OD	. LEBANON-LEBANESE CERTIFIED AIRPLANES	AR R
- 54	HB	. LIECHTENSTEIN-LIECHTENSTEIN CERTIFIED AIRPLANES	AR R
- 55	LY	. LITHUANIA-LITHUANIAN CERTIFIED AIRPLANES	AR R
- 56	LX	. LUXEMBOURG-LUXEMBOURG CERTIFIED AIRPLANES	AR R

NOTE 1—THE COUNTRY DESIGNATIONS OBEY THE STANDARDS OF THE AIRCRAFT NATIONALITY MARKS, ESTABLISHED BY THE INTERNATIONAL CIVIL AVIATION ORGANIZATION (ICAO).

R

CESSNA AIRCRAFT COMPANY
MODEL 172 (SERIES 1996 AND ON)
ILLUSTRATED PARTS CATALOG

B3851



INTERIOR SECTIONS
ICAO NATIONALITY MARKS/COUNTRY DESIGNATIONS

PLACARD LOCATION
FIGURE 01 (SHEET 2)

0514T1047

CESSNA AIRCRAFT COMPANY
MODEL 172 (SERIES 1996 AND ON)
ILLUSTRATED PARTS CATALOG

FIG ITEM	PART NUMBER	NOMENCLATURE	UNITS
			PER ASSY
		1 2 3 4 5 6 7	
01			
- 75	9M	. MALAYSIA-MALAYSIAN CERTIFIED AIRPLANES	AR R
- 76	XA	. MEXICO-MEXICAN CERTIFIED AIRPLANES	AR R
- 77	XB	. MEXICO-MEXICAN CERTIFIED AIRPLANES ALT FOR XA	AR R
- 78	XC	. MEXICO-MEXICAN CERTIFIED AIRPLANES ALT FOR XA	AR R
- 79	3A	. MONACO-MONACOAN CERTIFIED AIRPLANES	AR R
- 80	CN	. MOROCCO-MOROCCAN CERTIFIED AIRPLANES	AR R
- 81	PH	. NETHERLANDS-NETHERLANDISH CERTIFIED AIRPLANES	AR R
- 82	ZK	. NEW ZEALAND-NEW ZEALAND CERTIFIED AIRPLANES	AR R
- 83	ZL	. NEW ZEALAND-NEW ZEALAND CERTIFIED AIRPLANES ALT FOR ZK	AR R
- 84	ZM	. NEW ZEALAND-NEW ZEALAND CERTIFIED AIRPLANES ALT FOR ZK	AR R
- 85	LN	. NORWAY-NORWEGIAN CERTIFIED AIRPLANES	AR R
- 86	AP	. PAKISTAN-PAKISTANI CERTIFIED AIRPLANES	AR R
- 87	HP	. PANAMA-PANAMANIAN CERTIFIED AIRPLANES	AR R
- 88	ZP	. PARAGUAY-PARAGUAIAN CERTIFIED AIRPLANES	AR R
- 89	OB	. PERU-PERUVIAN CERTIFIED AIRPLANES	AR R
- 90	RP	. PHILIPPINES-PHILIPPINE CERTIFIED AIRPLANES	AR R
- 91	SP	. POLAND-POLISH CERTIFIED AIRPLANES	AR R
- 92	CR	. PORTUGAL-PORTUGUESE CERTIFIED AIRPLANES	AR R
- 93	CS	. PORTUGAL-PORTUGUESE CERTIFIED AIRPLANES ALT FOR CR	AR R
- 94	A7	. QATAR-QATARI CERTIFIED AIRPLANES	AR R
- 95	YR	. ROMANIA-ROMANIAN CERTIFIED AIRPLANES	AR R
- 96	RA	. RUSSIA-RUSSIAN CERTIFIED AIRPLANES	AR R
- 97	T7	. SAN MARINO-SAN MARINESE CERTIFIED AIRPLANES	AR R
- 98	HZ	. SAUDI ARABIA-SAUDI ARABIAN CERTIFIED AIRPLANES	AR R
- 99	YU	. SERBIA-SERBIA-MONTENEGRO CERTIFIED AIRPLANES	AR R
- 100	S5	. SLOVENIA-SLOVENIAN CERTIFIED AIRPLANES	AR R
- 101	ZS	. SOUTH AFRICA-SOUTH AFRICAN CERTIFIED AIRPLANES	AR R
- 102	ZT	. SOUTH AFRICA-SOUTH AFRICAN CERTIFIED AIRPLANES ALT FOR ZS	AR R
- 103	ZU	. SOUTH AFRICA-SOUTH AFRICAN CERTIFIED AIRPLANES ALT FOR ZS	AR R
- 104	EC	. SPAIN-SPANISH CERTIFIED AIRPLANES	AR R
- 105	SE	. SWEDEN-SWEDISH CERTIFIED AIRPLANES	AR R
- 106	HB	. SWITZERLAND-SWISS CERTIFIED AIRPLANES	AR R
- 107	HS	. THAILAND-THAI CERTIFIED AIRPLANES	AR R
- 108	TC	. TURKEY-TURKISH CERTIFIED AIRPLANES	AR R
- 109	A6	. UNITED ARAB EMIRATES-UNITED ARAB EMIRATES CERTIFIED AIRPLANES	AR R
- 110	G	. UNITED KINGDOM-BRITISH CERTIFIED AIRPLANES	AR R
- 111	YV	. VENEZUELA-VENEZUELAN CERTIFIED AIRPLANES	AR R
- 112	VP-L	. VIRGIN ISLANDS-VIRGIN ISLANDS CERTIFIED AIRPLANES	AR R

- ITEM NOT ILLUSTRATED

CESSNA AIRCRAFT COMPANY
MODEL 172 (SERIES 1996 AND ON)
ILLUSTRATED PARTS CATALOG

B7526

This Page Intentionally Left Blank

INTERIOR PAINT CODES
FIGURE 02 (SHEET 1)

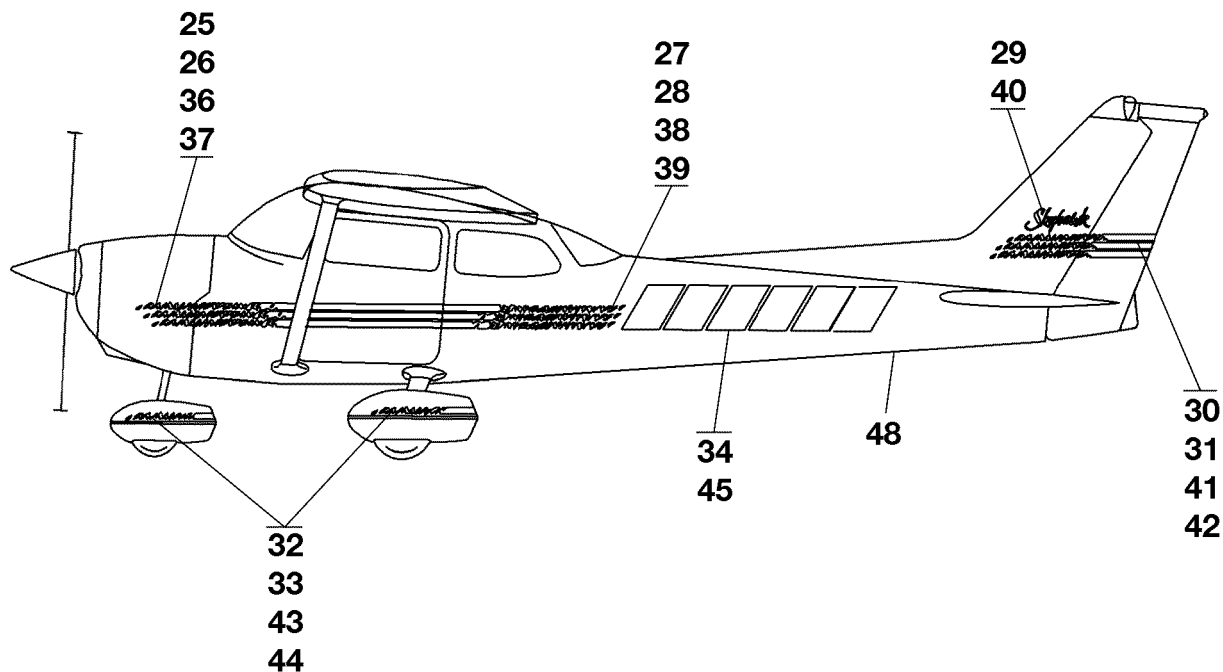
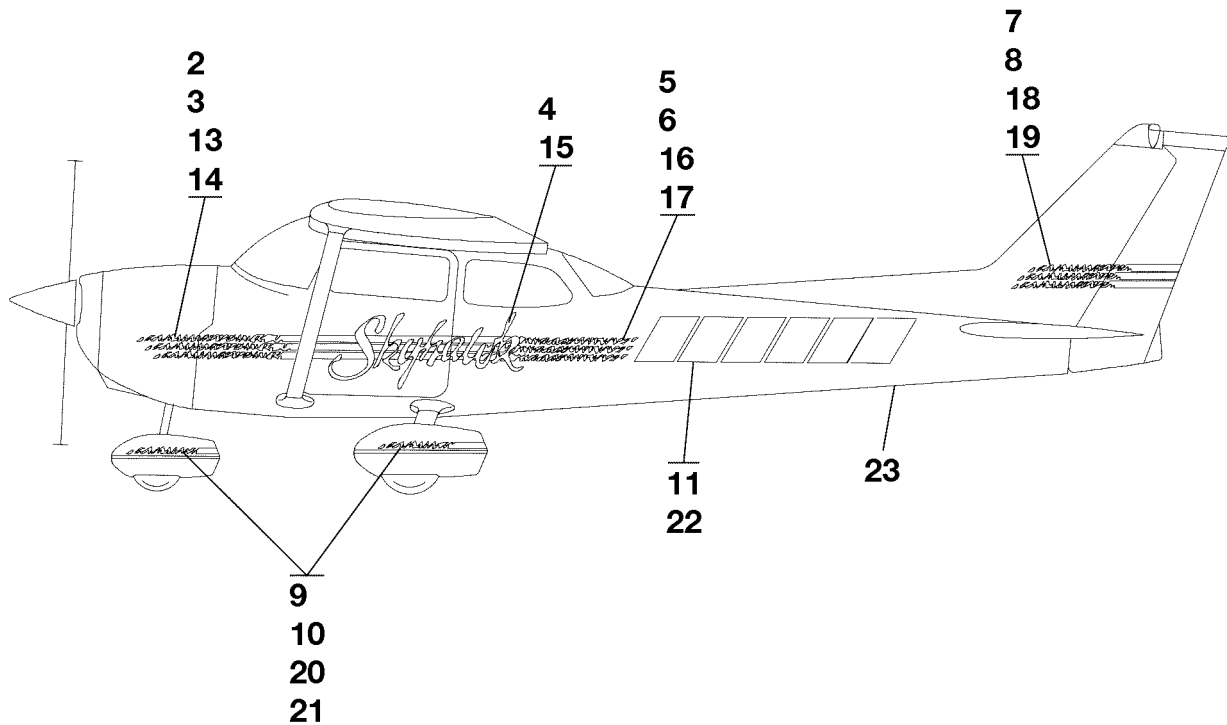
CESSNA AIRCRAFT COMPANY
MODEL 172 (SERIES 1996 AND ON)
 ILLUSTRATED PARTS CATALOG

FIG ITEM	PART NUMBER	1 2 3 4 5 6 7	NOMENCLATURE	UNITS PER ASSY		
				80356	& ON	RF
02						
-			INTERIOR PAINT CODES	10424	& ON	RF
- 1	F09769		. JETFLEX EARTHSTONE-KYDEX, FRAME, HINGES, AND JAM	V54636		AR
- 2	F09770		. JETFLEX CRICKET-ACCENT KYDEX	V54636		AR
- 3	F09242		. JETFLEX WHIPPORWHILL-FABRIC INSERT PANEL	V54636		AR
- 4	F09282		. JETFLEX MIRAGE-VINYL INSERT PANEL	V54636		AR
- 5	AF3502		. MATTERHORN WHITE	V54636		AR
- 6	AF3500		. ALL OVER WHITE-DUPONT IMRON	V0DC29		AR

- ITEM NOT ILLUSTRATED

CESSNA AIRCRAFT COMPANY
MODEL 172 (SERIES 1996 AND ON)
 ILLUSTRATED PARTS CATALOG

B79



AIRPLANES 17280001 AND ON
 EXTERIOR GRAPHICS
 FIGURE 01 (SHEET 1)

0510T1009
 0510R1018

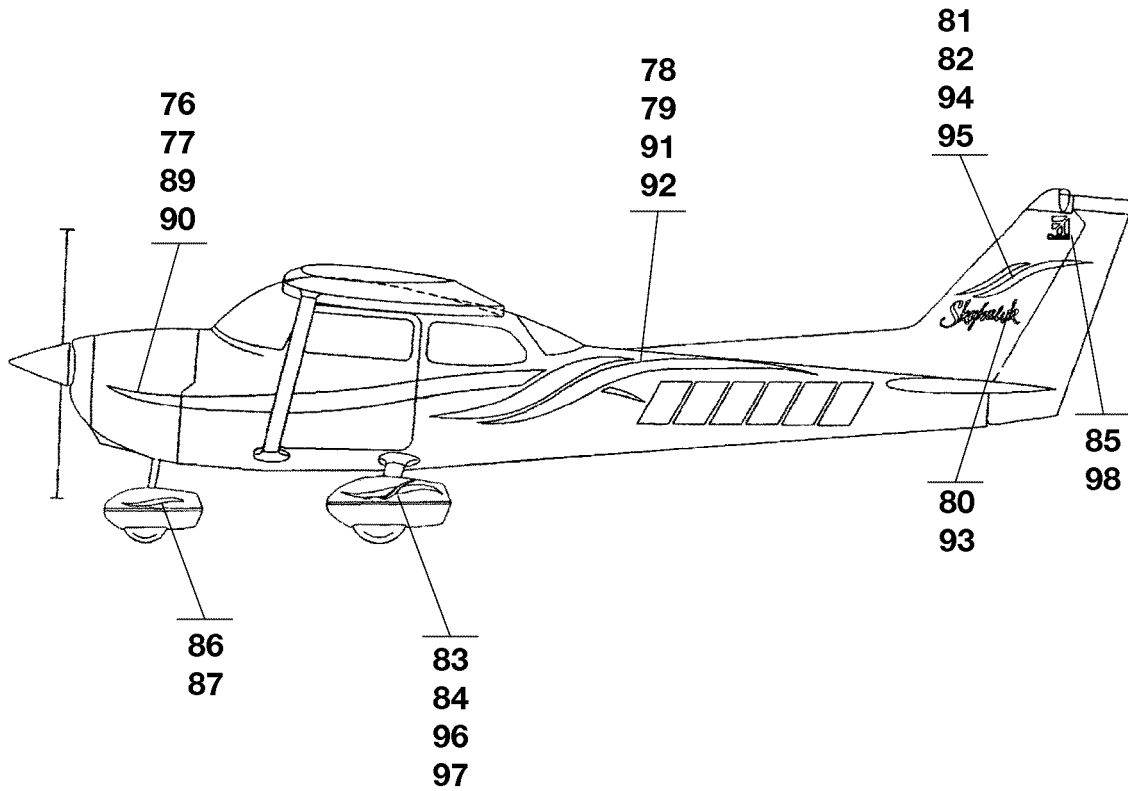
CESSNA AIRCRAFT COMPANY
MODEL 172 (SERIES 1996 AND ON)
ILLUSTRATED PARTS CATALOG

FIG ITEM	PART NUMBER	NOMENCLATURE	UNITS		
			1	2	PER ASSY
01		EXTERIOR GRAPHICS			RF R
- 1	117257-01	. EXT GRAPHIC PKG-LARGE LOGO METALLIC TEAL/EMBER BLUE/GREYSTONEII/DRK TEAL	V4S434	80001 80693	01
2	117257-01-05	. . GRAPHIC-METALLIC-FWD LH	V4S434		01
3	117257-01-04	. . GRAPHIC-METALLIC-FWD RH	V4S434		01
4	117257-01-01	. . GRAPHIC-METALLIC-LARGE "SKYHAWK" LOGO (GOLDEN STAR)	V4S434		02
5	117257-01-07	. . GRAPHIC-METALLIC-REAR LH	V4S434		01
6	117257-01-06	. . GRAPHIC-METALLIC-REAR RH	V4S434		01
7	117257-01-09	. . GRAPHIC-METALLIC-TAIL LH	V4S434		01
8	117257-01-08	. . GRAPHIC-METALLIC-TAIL RH	V4S434		01
9	117257-01-03	. . GRAPHIC-METALLIC-WHEEL LH	V4S434		01
10	117257-01-02	. . GRAPHIC-METALLIC-WHEEL RH	V4S434		01
11		. . DECAL-METALLIC-REGISTRATION REFER TO NOTE 1	V4S434		RF
- 12	117257-02	. EXT GRAPHIC PKG-LARGE LOGO GLOSS COOL GREY/CRIMSON/ DRK BLUE/ (OPT)	V4S434	80001 80693	01
13	117257-02-05	. . GRAPHIC -GLOSS FWD LH	V4S434		01
14	117257-02-04	. . GRAPHIC-GLOSS-FWD RH	V4S434		01
15	117257-02-01	. . GRAPHIC-GLOSS-LARGE "SKYHAWK" LOGO (SMOKE METALIC)	V4S434		02
16	117257-02-07	. . GRAPHIC-GLOSS-REAR LH	V4S434		01
17	117257-02-06	. . GRAPHIC-GLOSS-REAR RH	V4S434		01
18	117257-02-09	. . GRAPHIC-GLOSS-TAIL LH	V4S434		01
19	117257-02-08	. . GRAPHIC-GLOSS-TAIL RH	V4S434		01
20	117257-02-03	. . GRAPHIC-GLOSS-WHEEL LH	V4S434		01
21	117257-02-02	. . GRAPHIC-GLOSS-WHEEL RH	V4S434		01
22		. . DECAL-GLOSS-REGISTRATION REFER TO NOTE 1	V4S434		RF
23		. PAINT-MATTERHORN WHITE REFER TO PLACARDS 11-10-00 FIGURE 01	V61196		RF
- 24	118021-01	. EXT GRAPHIC PKG-SMALL LOGO TEAL/EMBER BLUE/GREYSTONEII METALIC OPT	V4S434	80001 80693	01
25	118021-01-05	. . GRAPHIC-METALLIC-FWD LH	V4S434		01
26	118021-01-04	. . GRAPHIC-METALLIC-FWD RH	V4S434		01
27	118021-01-07	. . GRAPHIC-METALLIC-REAR LH	V4S434		01
28	118021-01-06	. . GRAPHIC-METALLIC-REAR RH	V4S434		01
29	118021-01-01	. . GRAPHIC-METALLIC-SMALL "SKYHAWK" LOGO (GOLDEN STAR)	V4S434		02
30	117257-01-09	. . GRAPHIC-METALLIC-TAIL LH	V4S434		01
31	117257-01-08	. . GRAPHIC-METALLIC-TAIL RH	V4S434		01
32	117257-01-03	. . GRAPHIC-METALLIC-WHEEL LH	V4S434		01
33	117257-01-02	. . GRAPHIC-METALLIC-WHEEL RH	V4S434		01
34		. . DECAL-METALLIC-REGISTRATION REFER TO NOTE 1	V4S434		RF
- 35	118021-02	. EXT GRAPHIC PKG-SMALL LOGO GLOSS COOL GREY/CRIMSON/BLUE OPT	V4S434	80001 80693	01
36	118021-02-05	. . GRAPHIC-GLOSS-FWD LH	V4S434		01
37	118021-02-04	. . GRAPHIC-GLOSS-FWD RH	V4S434		01
38	118021-02-07	. . GRAPHIC-GLOSS-REAR LH	V4S434		01
39	118021-02-06	. . GRAPHIC-GLOSS-REAR FUSELAGE RH	V4S434		01
40	118021-02-01	. . GRAPHIC-GLOSS-SMALL "SKYHAWK" LOGO (SMOKE METALIC)	V4S434		02
41	117257-02-09	. . GRAPHIC-GLOSS-TAIL LH	V4S434		01
42	117257-02-08	. . GRAPHIC-GLOSS-TAIL RH	V4S434		01
43	117257-02-03	. . GRAPHIC-GLOSS-WHEEL LH	V4S434		01
44	117257-02-02	. . GRAPHIC-GLOSS-WHEEL RH	V4S434		01
45		. . DECAL-GLOSS-REGISTRATION REFER TO NOTE 1	V4S434		RF
- 46	119561-01	. EXT GRAPHIC PKG GERMAN	V4S434		01
- 47	119613-01	. EXT GRAPHIC PKG SWITZERLAND	V4S434		01
48	119614-01	. EXT GRAPHIC PKG SPAIN	V32063		01
- 49	119615-01	. EXT GRAPHIC PKG COLUMBIA	V32063		01
- 50	119627-07	. EXT GRAPHIC PKG AUSTRIA	V32063		01
- 51	830-100	. WHITE PAINT- WAS WP150 MUST BE PURCHASED FROM SHERWIN WILLIAMS			AR

NOTE 1—WHEN ORDERING THESE PARTS CONTACT CESSNA PARTS DISTRIBUTION 2.

CESSNA AIRCRAFT COMPANY
MODEL 172 (SERIES 1996 AND ON)
ILLUSTRATED PARTS CATALOG

B80



AIRPLANES 17280694 THRU 17280983

0510T1014

EXTERIOR GRAPHICS
FIGURE 01 (SHEET 2)

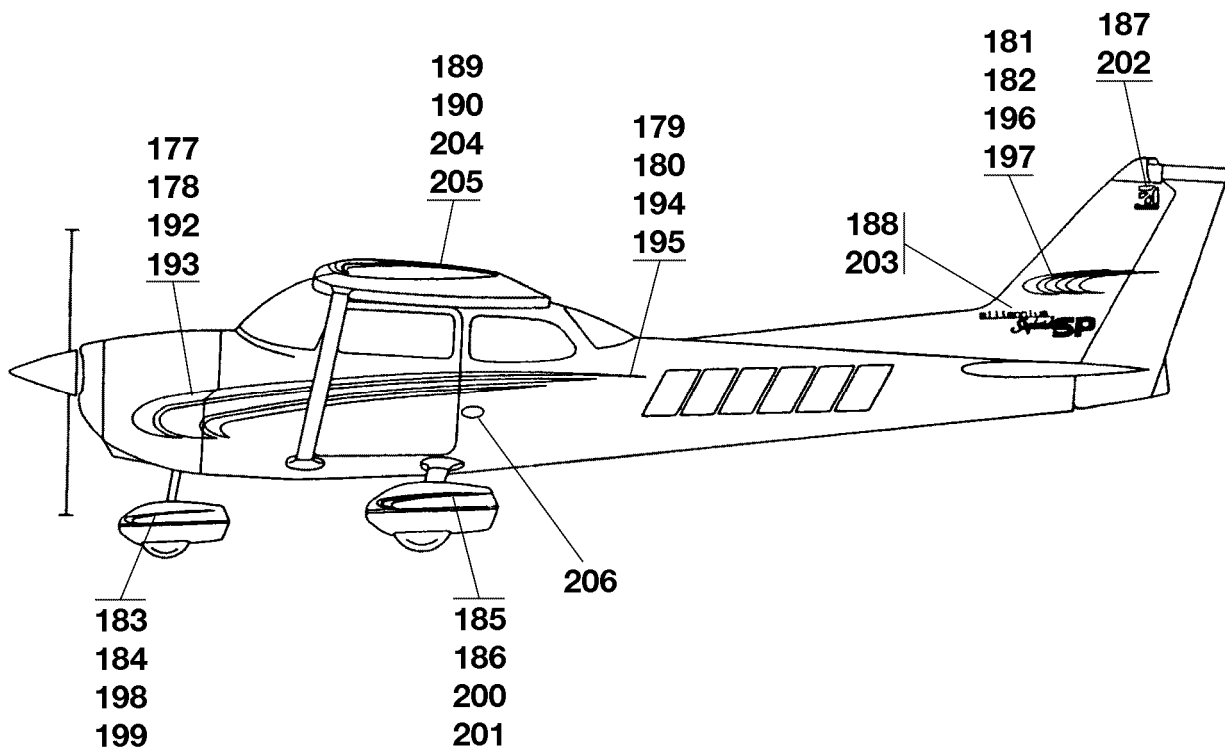
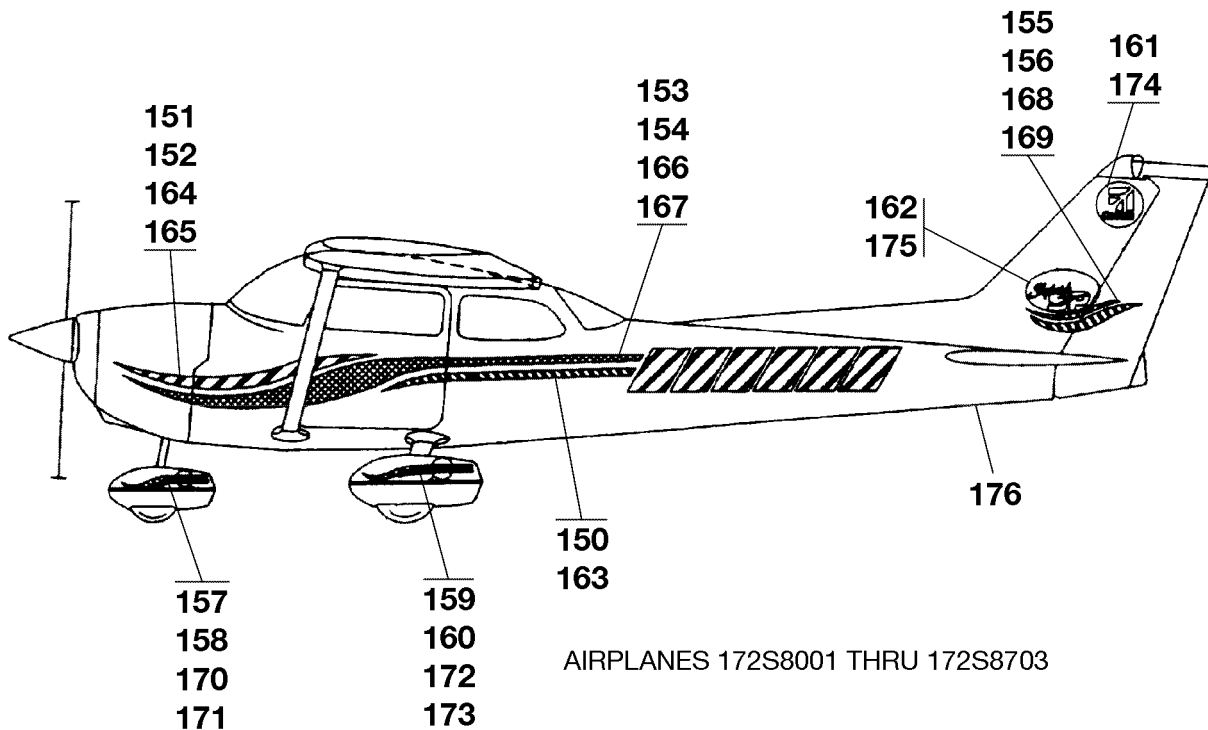
CESSNA AIRCRAFT COMPANY
MODEL 172 (SERIES 1996 AND ON)
 ILLUSTRATED PARTS CATALOG

FIG ITEM	PART NUMBER	NOMENCLATURE	UNITS		
			PER	ASSY	
01					
- 75	130523-01	. EXT GRAPHIC PKG-BLUE METALLIC/HUNTER GREEN METALLIC/METALLIC V4S434 80694 80983 01 GOLD OPT.			
76	130523-01-10	. . GRAPHIC-METALLIC-FWD LH V4S434			01
77	130523-01-09	. . GRAPHIC-METALLIC-FWD RH V4S434			01
78	130523-01-08	. . GRAPHIC-METALLIC REAR LH V4S434			01
79	130523-01-07	. . GRAPHIC-METALLIC-REAR RH V4S434			01
80	130523-01-01	. . GRAPHIC-METALLIC- "SKYHAWK" LOGO GOLD V4S434			02
81	130523-01-06	. . GRAPHIC-METALLIC-TAIL LH V4S434			01
82	130523-01-05	. . GRAPHIC-METALLIC-TAIL RH V4S434			01
83	130523-01-03	. . GRAPHIC-METALLIC-WHEEL LH V4S434			01
84	130523-01-02	. . GRAPHIC-METALLIC-WHEEL RH V4S434			01
85	130523-01-04	. . GRAPHIC-TAIL LOGO V4S434			01
86	130523-01-12	. . GRAPHIC-NOSE WHEEL LH V4S434			01
87	130523-01-11	. . GRAPHIC-NOSE WHEEL RH V4S434			01
- 88	130523-02	. EXT GRAPHIC PKG-SPECTRA RED/VIOLET BLUE/DARK BLUE (OPT) V4S434 80694 80983 01			
89	130523-02-10	. . GRAPHIC-GLOSS-FWD LH V4S434			01
90	130523-02-09	. . GRAPHIC-GLOSS-FWD RH V4S434			01
91	130523-02-08	. . GRAPHIC-GLOSS-REAR LH V4S434			01
92	130523-02-07	. . GRAPHIC-GLOSS-REAR FUSELAGE RH V4S434			01
93	130523-02-01	. . GRAPHIC-GLOSS-"SKYHAWK" LOGO (SILVER METALIC) V4S434			02
94	130523-02-06	. . GRAPHIC-GLOSS-TAIL LH V4S434			01
95	130523-02-05	. . GRAPHIC-GLOSS-TAIL RH V4S434			01
96	130523-02-03	. . GRAPHIC-GLOSS-WHEEL LH V4S434			01
97	130523-02-02	. . GRAPHIC-GLOSS-WHEEL RH V4S434			01
98	130523-02-04	. . GRAPHIC-TAIL LOGO V4S434			01
- 99	830-100	. WHITE PAINT WP150- MUST BE PURCHASED FROM SHERWIN WILLIAMS.			NP

- ITEM NOT ILLUSTRATED

CESSNA AIRCRAFT COMPANY
MODEL 172 (SERIES 1996 AND ON)
 ILLUSTRATED PARTS CATALOG

B81



AIRPLANES 172S8372 THRU 172S8590

EXTERIOR GRAPHICS
 FIGURE 01 (SHEET 3)

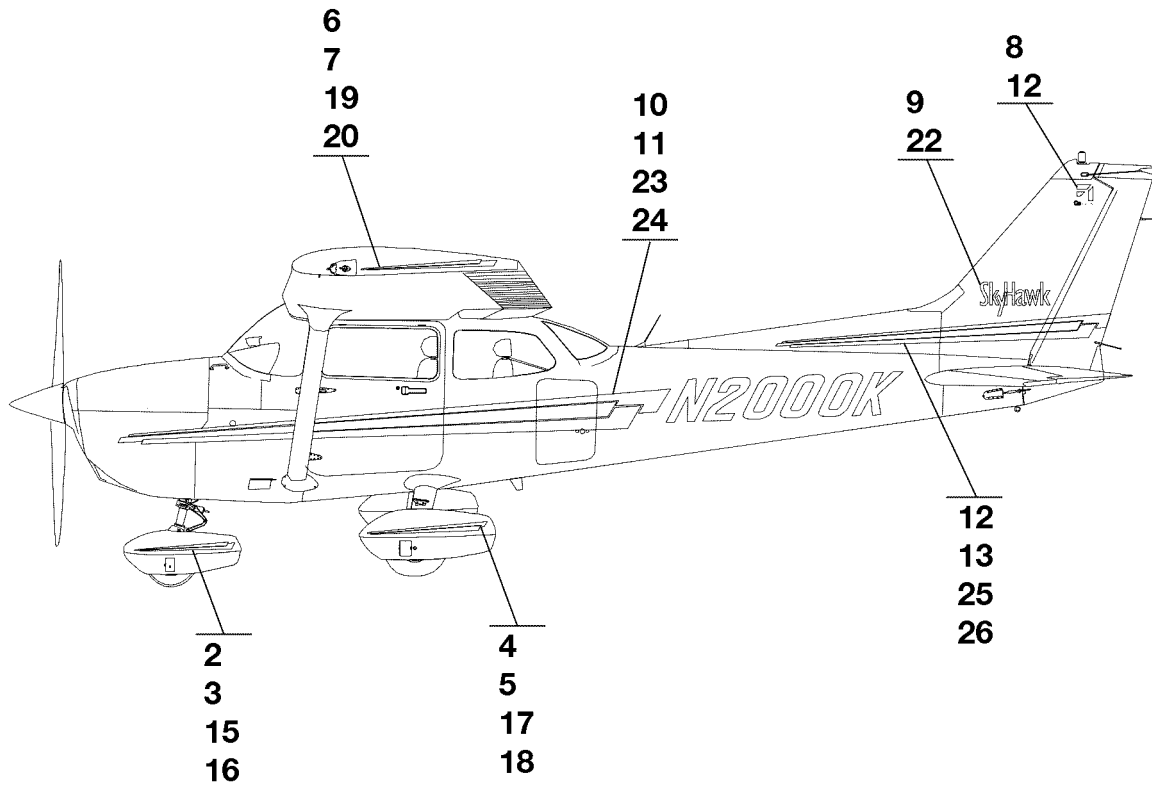
0510R1021
 0510R1022

CESSNA AIRCRAFT COMPANY
MODEL 172 (SERIES 1996 AND ON)
ILLUSTRATED PARTS CATALOG

FIG ITEM	PART NUMBER	NOMENCLATURE	UNITS		
			PER ASSY		
01					
150	119916-01	. EXTERIOR GRAPHICS PKG GLOSS KIT RED, WINE,PURPLE (OPT) V4S434	008001	08703	01
151	119916-01-10	. . GRAPHIC FWD FUS GLOSS - LH V4S434			01
152	119916-01-09	. . GRAPHIC FWD FUS GLOSS-RH (OPP) V4S434			01
153	119916-01-12	. . GRAPHIC REAR FUS GLOSS-LH V4S434			01
154	119916-01-11	. . GRAPHIC REAR FUS GLOSS-RH (OPP) V4S434			01
155	119916-01-03	. . GRAPHIC FUS GLOSS-TAIL LH V4S434			01
156	119916-01-02	. . GRAPHIC FUS GLOSS-TAIL RH V4S434			01
157	119916-01-05	. . GRAPHIC FT WHEEL GLOSS-LH V4S434			01
158	119916-01-04	. . GRAPHIC FT WHEEL GLOSS-RH (OPP) V4S434			01
159	119916-01-07	. . GRAPHIC REAR WH GLOSS-LH V4S434			01
160	119916-01-06	. . GRAPHIC REAR WH GLOSS-RH (OPP) V4S434			01
161	130524-02-04	. . GRAPHIC GLOSS-CESSNA LOGO LH/RH REPLACES 119916-01-01 V4S434			02
162	119916-01-08	. . GRAPHIC GLOSS-SKYHAWKSP V4S434			02
163	119916-02	. EXTERIOR GRAPHICS PKG METALLIC BLUE YELLOW-KIT V4S434	08001	08703	01
164	119916-02-10	. . GRAPHIC FWD FUS METALLIC- LH V4S434			01
165	119916-02-09	. . GRAPHIC FWD FUS METALLIC- RH (OPP) V4S434			01
166	119916-02-12	. . GRAPHIC REAR FUS METALLIC- LH V4S434			01
167	119916-02-11	. . GRAPHIC REAR FUS METALLIC-RH (OPP) V4S434			01
168	119916-02-03	. . GRAPHIC TAIL METALLIC-LH V4S434			01
169	119916-02-02	. . GRAPHIC TAIL METALLIC-RH (OPP) V4S434			01
170	119916-02-05	. . GRAPHIC FT WHEEL METALLIC-LH V4S434			01
171	119916-02-04	. . GRAPHIC FT WHEEL METALLIC-RH (OPP) V4S434			01
172	119916-02-07	. . GRAPHIC REAR WHEEL METALLIC-LH V4S434			01
173	119916-02-06	. . GRAPHIC REAR WHEEL METALLIC-RH (OPP) V4S434			01
174	119916-02-01	. . GRAPHIC CESSNA LOGO METALLIC LH/RH V4S434			02
175	119916-02-08	. . GRAPHIC SKYHAWKSP METALLIC V4S434			02
176	131414-02	. EXTERIOR GRAPHICS PKG GLOSS KIT BLUE, GOLD RED OPT V4S434			01
177	131414-02-05	. . GRAPHIC FWD FUS GLOSS - LH V4S434			01
178	131414-02-04	. . GRAPHIC FWD FUS GLOSS-RH (OPP) V4S434			01
179	131414-02-07	. . GRAPHIC REAR FUS GLOSS-LH V4S434			01
180	131414-02-06	. . GRAPHIC REAR FUS GLOSS-RH (OPP) V4S434			01
181	131414-02-11	. . GRAPHIC FUS GLOSS-TAIL LH V4S434			01
182	131414-02-10	. . GRAPHIC FUS GLOSS-TAIL RH V4S434			01
183	131414-02-03	. . GRAPHIC FT WHEEL GLOSS-LH V4S434			01
184	131414-02-02	. . GRAPHIC FT WHEEL GLOSS-RH (OPP) V4S434			01
185	131414-02-09	. . GRAPHIC REAR WH GLOSS-LH V4S434			01
186	131414-02-08	. . GRAPHIC REAR WH GLOSS-RH (OPP) V4S434			01
187	131414-02-12	. . GRAPHIC GLOSS-CESSNA LOGO LH/RH V4S434			02
188	131414-02-01	. . GRAPHIC GLOSS-SKYHAWKSP V4S434			02
189	131414-02-15	. . WING TIP LH			01
190	131414-02-14	. . WING TIP RH			01
191	131414-01	. EXTERIOR GRAPHICS PKG METALIC RED/SILVER MILL V4S434	08372	08590	01
192	131414-01-05	. . GRAPHIC FWD FUS METALLIC- LH V4S434			01
193	131414-01-04	. . GRAPHIC FWD FUS METALLIC- RH (OPP) V4S434			01
194	131414-01-07	. . GRAPHIC REAR FUS METALLIC- LH V4S434			01
195	131414-01-06	. . GRAPHIC REAR FUS METALLIC-RH (OPP) V4S434			01
196	131414-01-11	. . GRAPHIC TAIL METALLIC-LH V4S434			01
197	131414-01-10	. . GRAPHIC TAIL METALLIC-RH (OPP) V4S434			01
198	131414-01-03	. . GRAPHIC FT WHEEL METALLIC-LH V4S434			01
199	131414-01-02	. . GRAPHIC FT WHEEL METALLIC-RH (OPP) V4S434			01
200	131414-01-09	. . GRAPHIC REAR WHEEL METALLIC-LH V4S434			01
201	131414-01-08	. . GRAPHIC REAR WHEEL METALLIC-RH (OPP) V4S434			01
202	131414-01-12	. . GRAPHIC CESSNA LOGO METALLIC LH/RH V4S434			02
203	131414-01-01	. . GRAPHIC SKYHAWKSP METALLIC V4S434			02
204	131414-01-15	. . WING TIP LH			01
205	131414-01-14	. . WING TIP RH			01
206	131565-01	. EMBLEM MILLENNIUM V32063	08372	08590	02
- 207	WP150	. WHITE PAINT K000254 - MUST BE PURCHASED FROM SHERWIN WILLIAMS			AR

CESSNA AIRCRAFT COMPANY
MODEL 172 (SERIES 1996 AND ON)
 ILLUSTRATED PARTS CATALOG

B2079



AIRPLANES 17280984 THRU 17281142

0510T1019

EXTERIOR GRAPHICS 172
 FIGURE 02 (SHEET 1)

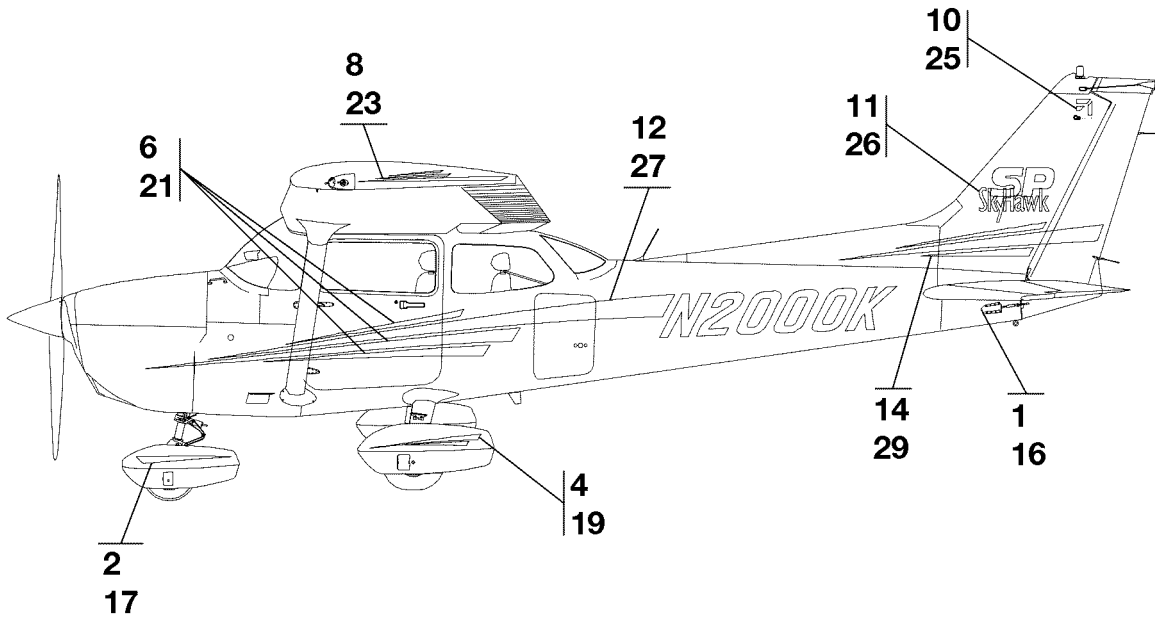
CESSNA AIRCRAFT COMPANY
MODEL 172 (SERIES 1996 AND ON)
 ILLUSTRATED PARTS CATALOG

FIG ITEM	PART NUMBER	NOMENCLATURE	UNITS PER ASSY		
			1	2	3
02					
-		EXTERIOR GRAPHICS 172	80984	81142	RF R
- 1	132329-01	. EXTERIOR GRAPHIC PKG- OPT 1 RED/BLUE/GREEN V4S434			01
2	132329-01-01	. . FRONT WHEEL GRAPHIC-LH V4S434			01
3	132329-01-02	. . FRONT WHEEL GRAPHIC-RH V4S434			01
4	132329-01-03	. . REAR WHEEL GRAPHIC-LH V4S434			01
5	132329-01-04	. . REAR WHEEL GRAPHIC-RH V4S434			01
6	132329-01-09	. . WING TIP GRAPHIC-LH V4S434			01
7	132329-01-10	. . WING TIP GRAPHIC-RH V4S434			01
8	132329-01-13	. . CESSNA LOGO GRAPHIC LH/RH V4S434			02
9	132329-01-11	. . TAIL GRAPHIC V4S434			02
10	132329-01-07	. . FUSELAGE GRAPHIC-LH V4S434			01
11	132329-01-08	. . FUSELAGE GRAPHIC-RH V4S434			01
12	132329-01-05	. . TAIL STRIPE GRAPHIC-LH V4S434			01
13	132329-01-06	. . TAIL STRIPE GRAPHIC-RH V4S434			01
- 14	132329-02	. EXTERIOR GRAPHIC PKG- OPT 2 RED/BLUE/YELLOW V4S434			01
15	132329-02-01	. . FRONT WHEEL GRAPHIC-LH V4S434			01
16	132329-02-02	. . FRONT WHEEL GRAPHIC-RH V4S434			01
17	132329-02-03	. . REAR WHEEL GRAPHIC-LH V4S434			01
18	132329-02-04	. . REAR WHEEL GRAPHIC-RH V4S434			01
19	132329-02-09	. . WING TIP GRAPHIC-LH V4S434			01
20	132329-02-10	. . WING TIP GRAPHIC-RH V4S434			01
- 21	132329-01-13	. . CESSNA LOGO GRAPHIC LH/RH V4S434			02
22	132329-02-12	. . TAIL GRAPHIC V4S434			02
23	132329-02-07	. . FUSELAGE GRAPHIC-LH V4S434			01
24	132329-02-08	. . FUSELAGE GRAPHIC-RH V4S434			01
25	132329-02-05	. . TAIL STRIPE GRAPHIC-LH V4S434			01
26	132329-02-06	. . TAIL STRIPE GRAPHIC-RH V4S434			01
- 27	K000254	. WHITE PAINT WP150 - MUST BE PURCHASED FROM SHERWIN WILLIAMS			AR

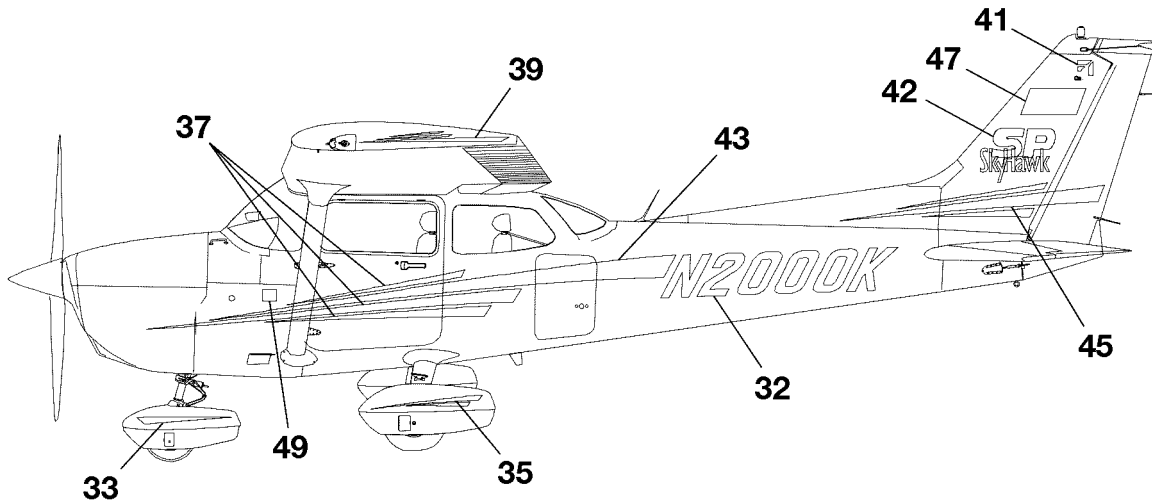
- ITEM NOT ILLUSTRATED

CESSNA AIRCRAFT COMPANY
MODEL 172 (SERIES 1996 AND ON)
 ILLUSTRATED PARTS CATALOG

B2078



AIRPLANES 172S8704 THRU 172S9288



AIRPLANES 172S8990 THRU 172S9288

EXTERIOR GRAPHICS 172S
 FIGURE 03 (SHEET 1)

0510T1020
 0510T1023

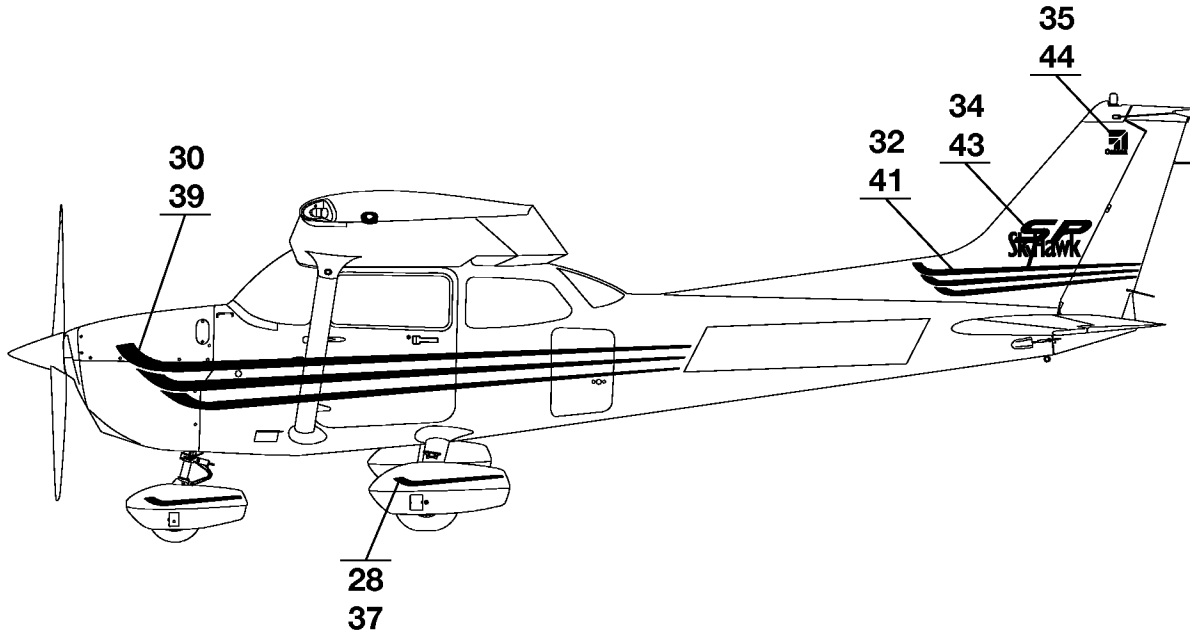
CESSNA AIRCRAFT COMPANY MODEL 172 (SERIES 1996 AND ON) ILLUSTRATED PARTS CATALOG

FIG ITEM	PART NUMBER	NOMENCLATURE	UNITS PER ASSY		
	1 2 3 4 5 6 7				
03		EXTERIOR GRAPHICS 172S			
-			08704	09288	RF
1	132330-01	. EXTERIOR GRAPHIC PKG- OPT 1 GREEN/YELLOW V4S434	08704	09288	01 R
2	132330-01-01	. . FRONT WHEEL GRAPHIC-LH V4S434			01
- 3	132330-01-02	. . FRONT WHEEL GRAPHIC-RH V4S434			01
4	132330-01-03	. . REAR WHEEL GRAPHIC-LH V4S434			01
- 5	132330-01-04	. . REAR WHEEL GRAPHIC-RH V4S434			01
6	132330-01-07	. . MAIN FUS GRAPHIC-LH REFER TO NOTE 1 V4S434			01
- 7	132330-01-08	. . MAIN FUS GRAPHIC-RH REFER TO NOTE 1 V4S434			01
8	132330-01-09	. . WING TIP GRAPHIC-LH V4S434			01
- 9	132330-01-10	. . WING TIP GRAPHIC-RH V4S434			01
10	132330-01-15	. . CESSNA LOGO GRAPHIC LH/RH V4S434			02
11	132330-01-13	. . TAIL GRAPHIC V4S434			02
12	132330-01-11	. . LRG STRIPE FUSELAGE GRAPHIC-LH REFER TO NOTE 1 V4S434			01
- 13	132330-01-12	. . LRG STRIPE FUSELAGE GRAPHIC-RH REFER TO NOTE 1 V4S434			01
14	132330-01-05	. . TAIL STRIPE GRAPHIC-LH V4S434			01
- 15	132330-01-06	. . TAIL STRIPE GRAPHIC-RH V4S434			01
16	132330-02	. EXTERIOR GRAPHIC PKG- OPT 2 RED/BLUE V4S434	08704	09288	01 R
17	132330-02-01	. . FRONT WHEEL GRAPHIC-LH V4S434			01
- 18	132330-02-02	. . FRONT WHEEL GRAPHIC-RH V4S434			01
19	132330-02-03	. . REAR WHEEL GRAPHIC-LH V4S434			01
- 20	132330-02-04	. . REAR WHEEL GRAPHIC-RH V4S434			01
21	132330-02-07	. . MAIN FUS GRAPHIC-LH REFER TO NOTE 1 V4S434			01
- 22	132330-02-08	. . MAIN FUS GRAPHIC-RH REFER TO NOTE 1 V4S434			01
23	132330-02-09	. . WINGTIP GRAPHIC-LH V4S434			01
- 24	132330-02-10	. . WINGTIP GRAPHIC-RH V4S434			01
25	130524-01-04	. . CESSNA LOGO GRAPHIC LH/RH V4S434			02
26	132330-02-14	. . TAIL GRAPHIC V4S434			02
27	132330-02-11	. . LRG STRIPE FUSELAGE GRAPHIC-LH REFER TO NOTE 1 V4S434			01
- 28	132330-02-12	. . LRG STRIPE FUSELAGE GRAPHIC-RH REFER TO NOTE 1 V4S434			01
29	132330-02-05	. . TAIL STRIPE GRAPHIC-LH V4S434			01
- 30	132330-02-06	. . TAIL STRIPE GRAPHIC-RH V4S434			01
- 31		. DELETED NOT USED			RF
32	132330-03	. EXTERIOR GRAPHIC PKG OPT 3 AMERICAN FLAG EDITION V4S434	08990	09288	01 R
33	132330-03-01	. . FRONT WHEEL GRAPHIC-LH V4S434			01
- 34	132330-03-02	. . FRONT WHEEL GRAPHIC-RH V4S434			01
35	132330-03-03	. . REAR WHEEL GRAPHIC-LH V4S434			01
- 36	132330-03-04	. . REAR WHEEL GRAPHIC-RH V4S434			01
37	132330-03-07	. . MAIN FUS GRAPHIC-LH REFER TO NOTE 1 V4S434			01
- 38	132330-03-08	. . MAIN FUS GRAPHIC-RH REFER TO NOTE 1 V4S434			01
39	132330-03-09	. . WING TIP GRAPHIC-LH V4S434			01
- 40	132330-03-10	. . WING TIP GRAPHIC-RH V4S434			01
41	132330-03-14	. . CESSNA LOGO GRAPHIC LH/RH V4S434			02
42	132330-03-13	. . TAIL GRAPHIC V4S434			02
43	132330-03-11	. . LARGE STRIPE FUS GRAPHIC-LH REFER TO NOTE 1 V4S434			01
- 44	132330-03-12	. . LARGE STRIPE FUS GRAPHIC-RH REFER TO NOTE 1 V4S434			01
45	132330-03-05	. . TAIL STRIPE GRAPHIC-LH V4S434			01
- 46	132330-03-06	. . TAIL STRIPE GRAPHIC-RH V4S434			01
47	13623-01-01	. . AMERICAN FLAG TAIL GRAPHIC-LH V4S434			01
- 48	13623-01-02	. . AMERICAN FLAG TAIL GRAPHIC-RH V4S434			01
49	1776-1	. . DOMED FLAG EMBLEM V4S434			01
- 50	K000254	. WHITE PAINT-MUST BE PURCHASED FROM SHERWIN WILLIAMS V4S434	08704	09288	AR R

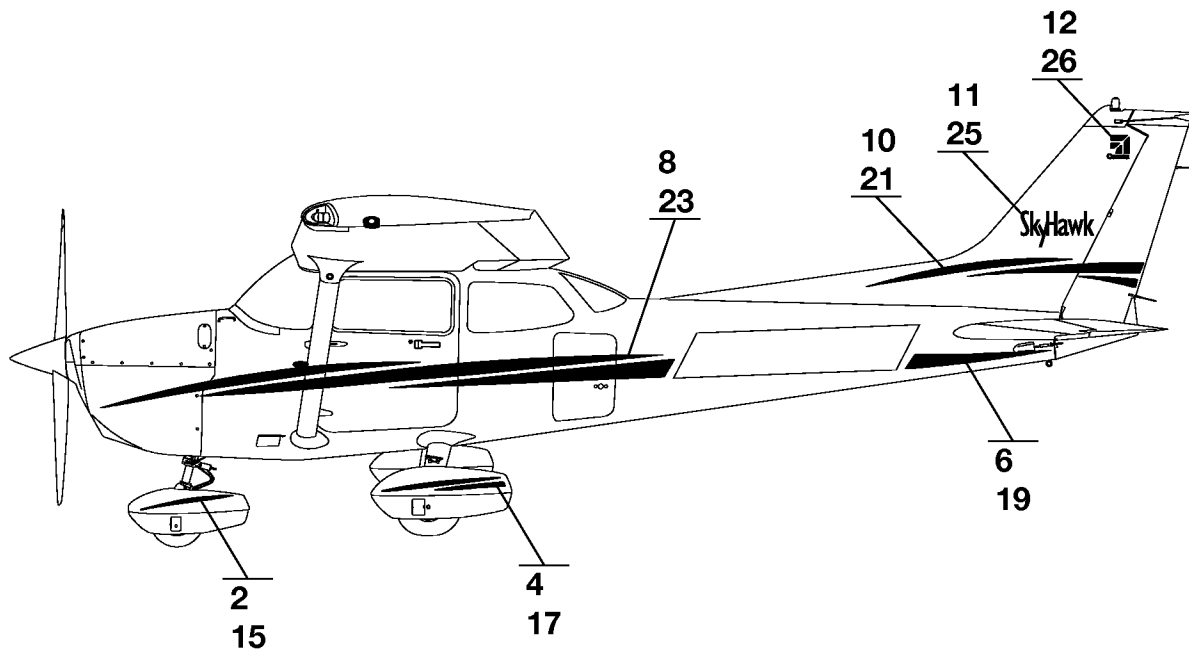
NOTE 1—WHEN ORDERING THIS PART, THE FUSELAGE GRAPHICS CONSIST OF TWO PART NUMBERS WITH THE THREE SMALLEST STRIPES AS ONE PART AND THE LARGE STRIPE AS THE SECOND PART.

CESSNA AIRCRAFT COMPANY
MODEL 172 (SERIES 1996 AND ON)
 ILLUSTRATED PARTS CATALOG

B4182



AIRPLANES 17281143 THRU 17281200



AIRPLANES 172S9289 THRU 172S9568

0510T1028
 0510T1029

EXTERIOR GRAPHICS
 FIGURE 04 (SHEET 1)

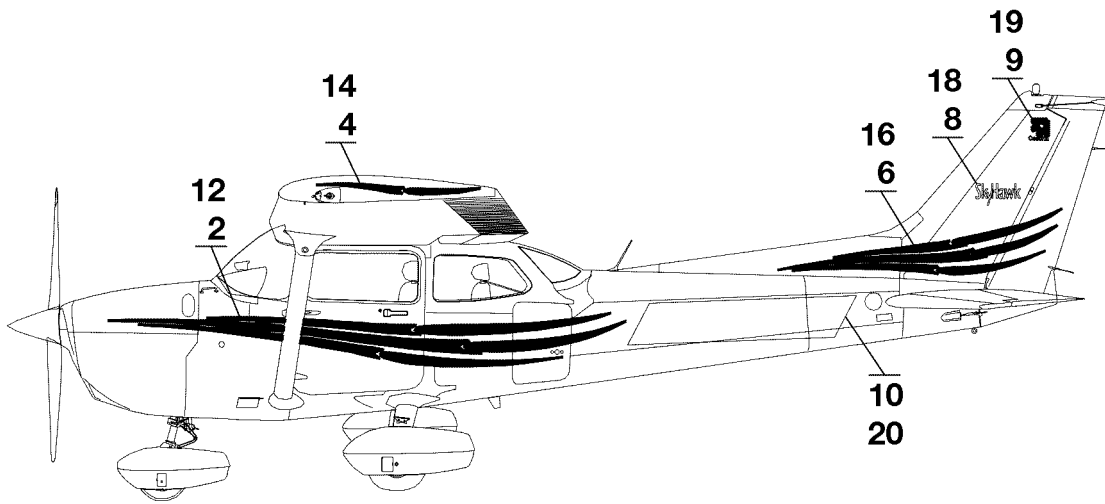
CESSNA AIRCRAFT COMPANY
MODEL 172 (SERIES 1996 AND ON)
ILLUSTRATED PARTS CATALOG

FIG ITEM	PART NUMBER	NOMENCLATURE	UNITS PER ASSY		
			1	2	3
04					
-		EXTERIOR GRAPHICS	81143	81200	RF
			09289	09568	
- 1	134650-01	. EXTERIOR GRAPHICS PKG-OPT 1 GREEN 172			01
- 2	134651-01-67	. . FRONT WHEEL GRAPHIC-RH			01
- 3	134651-01-68	. . FRONT WHEEL GRAPHIC-LH			01
- 4	134652-01-67	. . REAR WHEEL GRAPHIC-RH			01
- 5	134652-01-68	. . REAR WHEEL GRAPHIC-LH			01
- 6	134655-01-67	. . REAR FUSELAGE GRAPHIC-RH			01
- 7	134655-01-68	. . REAR FUSELAGE GRAPHIC-LH			01
- 8	134654-01-67	. . FRONT FUSELAGE GRAPHIC-RH			01
- 9	134654-01-68	. . FRONT FUSELAGE GRAPHIC-LH			01
- 10	134653-01-67	. . TAIL GRAPHIC-RH			01
- 11	134653-01-68	. . TAIL GRAPHIC-LH			01
- 12	134656-01	. . SKYHAWK NAME			02
- 13	134657-01	. . CESSNA LOGO			02
- 14	134650-02	. EXTERIOR GRAPHICS PKG-OPT 2 BLUE/RED			01
- 15	134651-02-67	. . FRONT WHEEL GRAPHIC-RH			01
- 16	134651-02-68	. . FRONT WHEEL GRAPHIC-LH			01
- 17	134652-02-67	. . REAR WHEEL GRAPHIC-RH			01
- 18	134652-02-68	. . REAR WHEEL GRAPHIC-LH			01
- 19	134655-02-67	. . REAR FUSELAGE GRAPHIC-RH			01
- 20	134655-02-68	. . REAR FUSELAGE GRAPHIC-LH			01
- 21	134653-02-67	. . TAIL GRAPHIC-RH			01
- 22	134653-02-68	. . TAIL GRAPHIC-LH			01
- 23	134654-02-67	. . FRONT FUSELAGE GRAPHIC-RH			01
- 24	134654-02-68	. . FRONT FUSELAGE GRAPHIC-LH			01
- 25	134656-02	. . SKYHAWK NAME-LH			02
- 26	134657-02	. . CESSNA LOGO			02
- 27	134662-01	. EXTERIOR GRAPHICS PKG-OPT 1 BLUE			01
- 28	134663-01-67	. . FRONT & REAR WHEEL GRAPHICS-RH			02
- 29	134663-01-68	. . FRONT & REAR WHEEL GRAPHICS-LH			02
- 30	134665-01-67	. . MAIN FUSELAGE-RH			01
- 31	134665-01-68	. . MAIN FUSELAGE-LH			01
- 32	134664-01-67	. . TAIL GRAPHIC-RH			01
- 33	134664-01-68	. . TAIL GRAPHIC-LH			01
- 34	134666-01	. . SKYHAWK NAME			02
- 35	134657-03	. . CESSNA LOGO			02
- 36	134662-02	. EXTERIOR GRAPHICS PKG-OPT 2 RED			01
- 37	134663-02-67	. . FRONT & REAR WHEEL GRAPHICS-RH			02
- 38	134663-02-68	. . FRONT & REAR WHEEL GRAPHICS-LH			02
- 39	134665-02-67	. . MAIN FUSELAGE-RH			01
- 40	134665-02-68	. . MAIN FUSELAGE-LH			01
- 41	134664-02-67	. . TAIL GRAPHIC-RH			01
- 42	134664-02-68	. . TAIL GRAPHIC-LH			01
- 43	134666-02	. . SKYHAWK NAME			02
- 44	134657-04	. . CESSNA LOGO			02
- 45	K000254	. WHITE PAINT-MUST BE PURCHASED FROM SHERWIN WILLIAMS V54636			AR R

- ITEM NOT ILLUSTRATED

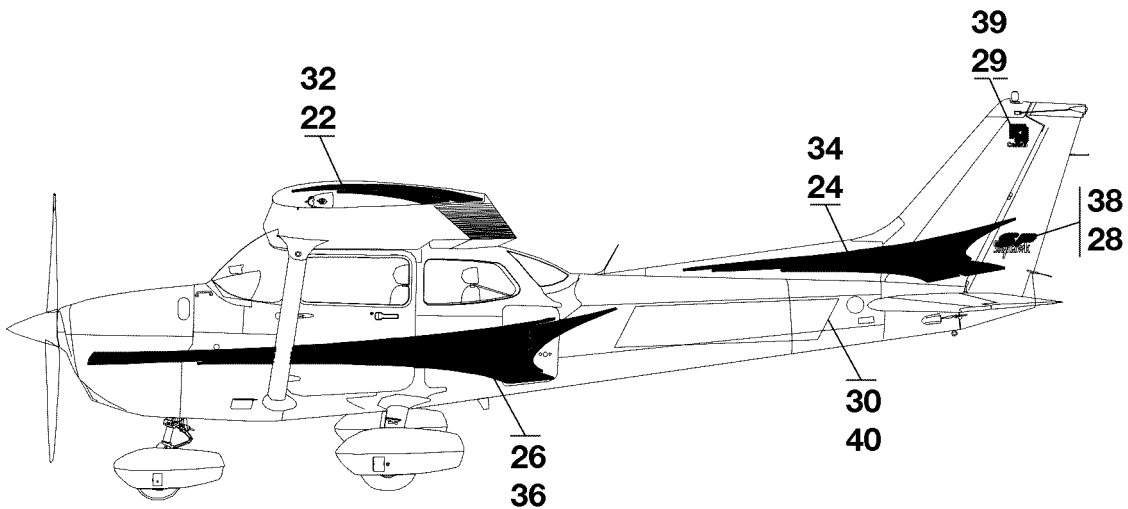
CESSNA AIRCRAFT COMPANY
MODEL 172 (SERIES 1996 AND ON)
 ILLUSTRATED PARTS CATALOG

B4183



DETAIL A

AIRPLANES 17281201
 THRU 17281233



DETAIL B

AIRPLANES 172S9569
 THRU 172S9770

EXTERIOR GRAPHICS
 FIGURE 05 (SHEET 1)

0510T1007
 A1510T1024
 B1510T1025

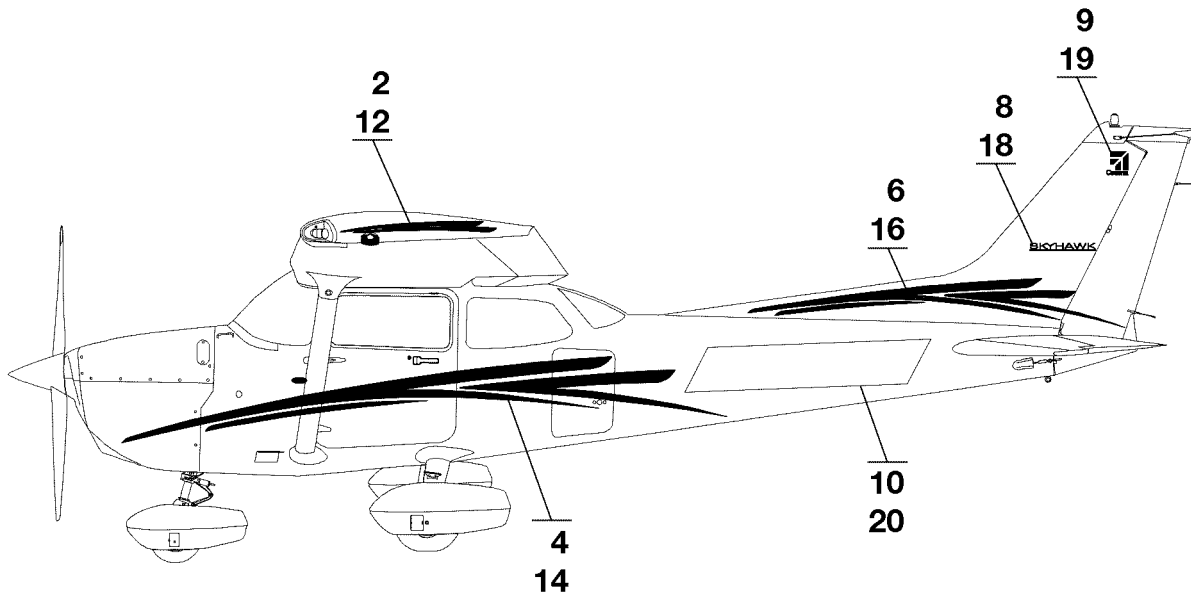
CESSNA AIRCRAFT COMPANY
MODEL 172 (SERIES 1996 AND ON)
ILLUSTRATED PARTS CATALOG

FIG ITEM	PART NUMBER	NOMENCLATURE	UNITS		
			PER	ASSY	
05					
-		EXTERIOR GRAPHICS	81201	81233	RF
			09569	09770	
- 1	0519085-2	. EXTERIOR GRAPHICS PKG-OPT 1 RED/BLUE			01
- 1A	0519085-42	. . . VENDOR KIT 172 OPT 1			01
2	0519085-11	. . . FUSELAGE GRAPHIC-LH			01
- 3	0519085-12	. . . FUSELAGE GRAPHIC-RH			01
4	0519085-13	. . . WING GRAPHIC-LH			01
- 5	0519085-14	. . . WING GRAPHIC-RH			01
6	0519085-9	. . . TAIL GRAPHIC-LH			01
- 7	0519085-10	. . . TAIL GRAPHIC-LH			01
8	0519085-8	. . . SKYHAWK LOGO			02
9	0519085-7	. . . CESSNA LOGO			02
10	0519085-6	. . . REGISTRATION			02
- 11	0519085-3	. EXTERIOR GRAPHICS PKG-OPT 2 RED/TAN/BLACK			01
- 11A	0519085-43	. . . VENDOR KIT 172 OPT 2			01
12	0519085-19	. . . FUSELAGE GRAPHIC-LH			01
- 13	0519085-20	. . . FUSELAGE GRAPHIC-RH			01
14	0519085-21	. . . WING GRAPHIC-LH			01
- 15	0519085-22	. . . WING GRAPHIC-RH			01
16	0519085-17	. . . TAIL GRAPHIC-LH			01
- 17	0519085-18	. . . TAIL GRAPHIC-RH			01
18	0519085-16	. . . SKYHAWK LOGO			02
19	0519085-15	. . . CESSNA LOGO			02
20	0519085-23	. . . REGISTRATION			02
- 21	0519085-4	. EXTERIOR GRAPHICS PKG-OPT 1 RED/BLUE			01
- 21A	0519085-44	. . . VENDOR KIT 172SP OPT 1			01
22	0519085-29	. . . WING GRAPHIC-LH			01
- 23	0519085-30	. . . WING GRAPHIC-RH			01
24	0519085-25	. . . TAIL GRAPHIC-LH			01
- 25	0519085-26	. . . TAIL GRAPHIC-RH			01
26	0519085-27	. . . FUSELAGE GRAPHIC-LH			01
- 27	0519085-28	. . . FUSELAGE GRAPHIC-RH			01
28	0519085-40	. . . SP SKYHAWK LOGO			02
29	0519085-24	. . . CESSNA LOGO			02
- 29A	0719101-6	. . . CESSNA LOGO ALT FOR 0519085-24			02 R
30	0519085-31	. . . REGISTRATION			02
- 30A	0719111-21	. . . REGISTRATION ALT FOR 0519085-31			02 R
- 31	0519085-5	. EXTERIOR GRAPHICS PKG-OPT 2 BLUE/GRAY			01
- 31A	0519085-45	. . . VENDOR KIT 172SP OPT 2			01
32	0519085-37	. . . WING GRAPHIC-LH			01
- 33	0519085-36	. . . WING GRAPHIC-RH			01
34	0519085-33	. . . TAIL GRAPHIC-LH			01
- 35	0519085-32	. . . TAIL GRAPHIC-RH			01
36	0519085-35	. . . FUSELAGE GRAPHIC-LH			01
- 37	0519085-34	. . . FUSELAGE GRAPHIC-RH			01
38	0519085-41	. . . SP SKYHAWK LOGO			02
39	0519085-7	. . . CESSNA LOGO			02
40	0519085-38	. . . REGISTRATION			02
- 41	K000257	. EXTERIOR STYLE ALL OVER WHITE - DUPONT PART NUMBER AF3102 . . V90227			AR

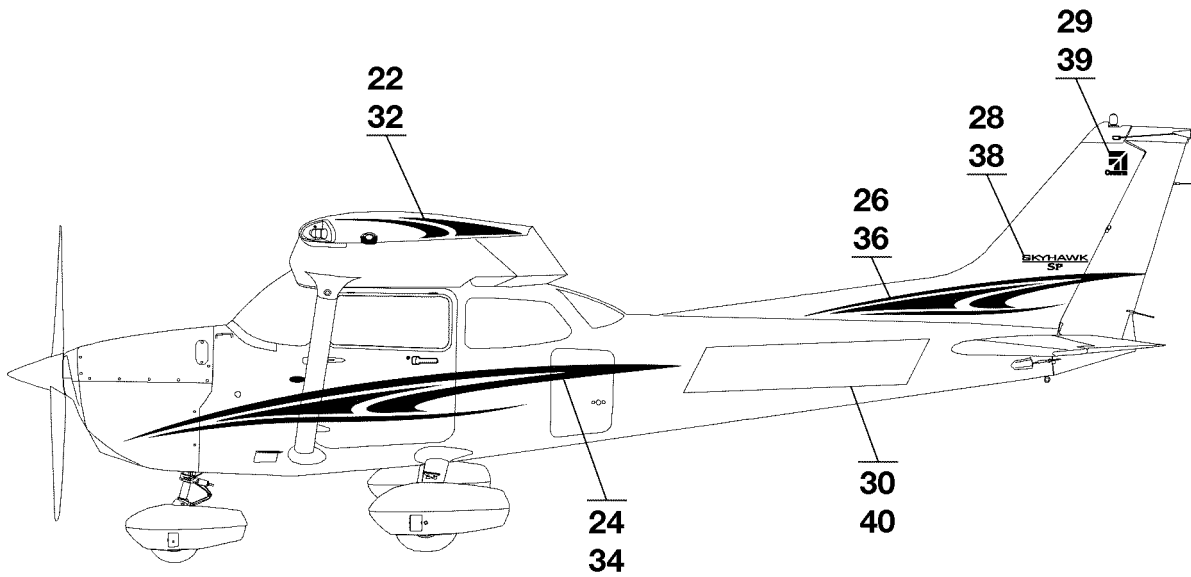
- ITEM NOT ILLUSTRATED

CESSNA AIRCRAFT COMPANY
MODEL 172 (SERIES 1996 AND ON)
 ILLUSTRATED PARTS CATALOG

B4184



AIRPLANES 17281234 THRU 17281272



AIRPLANES 172S9771 THRU 172S10102

0510T1026
 0510T1027

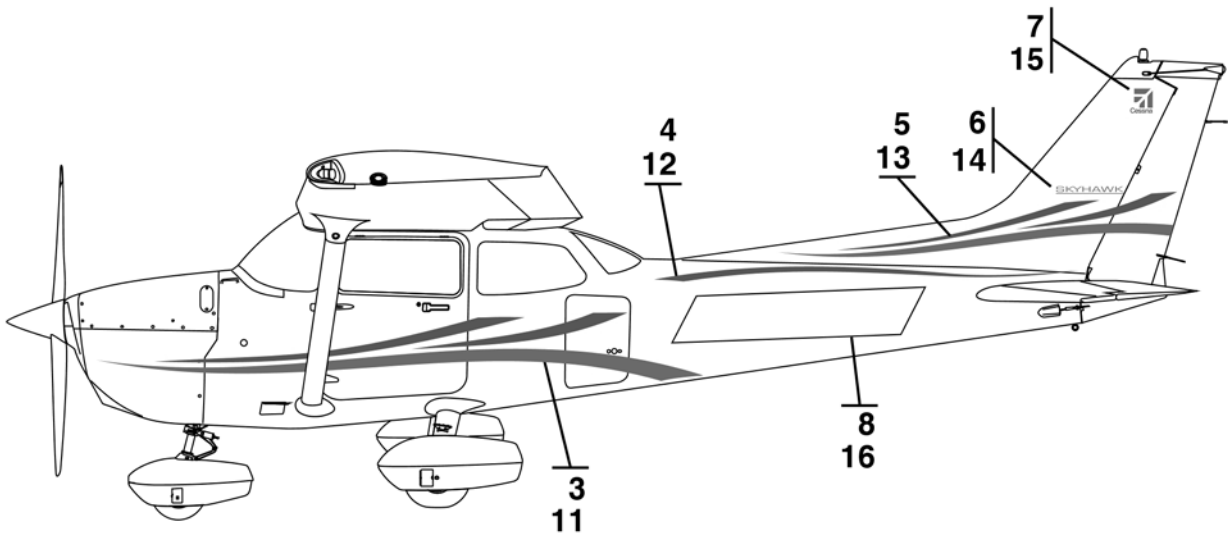
EXTERIOR GRAPHICS
 FIGURE 06 (SHEET 1)

CESSNA AIRCRAFT COMPANY
MODEL 172 (SERIES 1996 AND ON)
ILLUSTRATED PARTS CATALOG

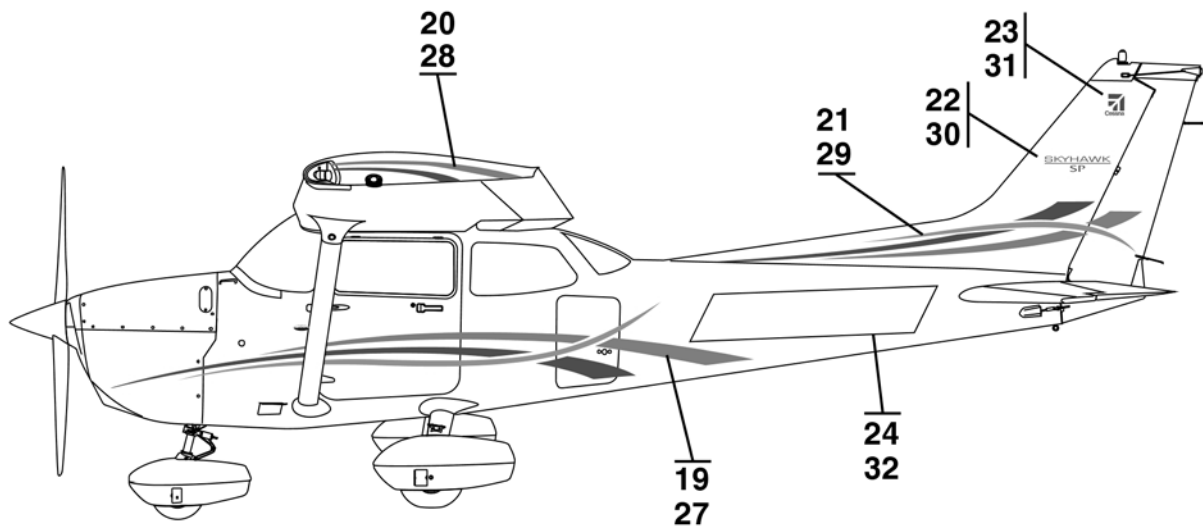
FIG ITEM	PART NUMBER	NOMENCLATURE	UNITS		
			PER	ASSY	
		1 2 3 4 5 6 7			
06					
-		EXTERIOR GRAPHICS	81234	81272	RF
			09771	10102	
- 1	0519088-2	. EXTERIOR GRAPHICS PKG-OPT 1 CHARCOAL/BRONZE			01
- 1A	0519088-42	. . . VENDOR KIT 172 OPTION 1			01
2	0519088-11	. . . WING GRAPHIC-LH			01
- 3	0519088-10	. . . WING GRAPHIC-RH			01
4	0519088-13	. . . FUSALAGE GRAPHIC-LH			01
- 5	0519088-12	. . . FUSALAGE GRAPHIC-RH			01
6	0519088-9	. . . TAIL GRAPHIC-LH			01
- 7	0519088-8	. . . TAIL GRAPHIC-RH			01
8	0519088-7	. . . SKYHAWK LOGO			02
9	0519088-6	. . . CESSNA LOGO			02
10	0519088-14	. . . REGISTRATION			02
- 11	0519088-3	. EXTERIOR GRAPHICS PKG-OPT 2 BURGANDY/GOLD			01
- 11A	0519088-44	. . . VENDOR KIT 172SP OPT 1			01
12	0519088-19	. . . WING GRAPHIC-LH			01
- 13	0519088-20	. . . WING GRAPHIC-RH			01
14	0519088-21	. . . FUSELAGE GRAPHIC-LH			01
- 15	0519088-22	. . . FUSELAGE GRAPHIC-RH			01
16	0519088-17	. . . TAIL GRAPHIC-LH			01
- 17	0519088-18	. . . TAIL GRAPHIC-RH			01
18	0519088-16	. . . SKYHAWK LOGO			02
19	0519088-15	. . . CESSNA LOGO			02
20	0519088-23	. . . REGISTRATION			02
- 20A	0719101-8	. . . REGISTRATION ALT FOR 0519088-23			02 R
- 21	0519088-4	. EXTERIOR GRAPHICS PKG-OPT 1 NAVY/CHARCOAL			01
- 21A	0519088-44	. . . VENDOR KIT 172SP OPT 1			01
22	0519088-29	. . . WING GRAPHIC-LH			01
- 23	0519088-28	. . . WING GRAPHIC-RH			01
24	0519088-31	. . . FUSELAGE GRAPHIC-LH			01
- 25	0519088-30	. . . FUSELAGE GRAPHIC-RH			01
26	0519088-27	. . . TAIL GRAPHIC-LH			01
- 27	0519088-28	. . . TAIL GRAPHIC-RH			01
28	0519088-25	. . . SKYHAWK LOGO			02
29	0519088-24	. . . CESSNA LOGO			02
30	0519088-32	. . . REGISTRATION			02
- 31	0519088-5	. EXTERIOR GRAPHICS PKG-OPT 2 BURGUNDY/PEWTER			01
- 31A	0519088-45	. . . VENDOR KIT 172SP OPT 2			01
32	0519088-37	. . . WING GRAPHIC-LH			01
- 33	0519088-38	. . . WING GRAPHIC-RH			01
34	0519088-39	. . . FUSELAGE GRAPHIC-LH			01
- 35	0519088-40	. . . FUSELAGE GRAPHIC-RH			01
36	0519088-35	. . . TAIL GRAPHIC-LH			01
- 37	0519088-36	. . . TAIL GRAPHIC-RH			01
38	0519088-34	. . . SKYHAWK LOGO			02
39	0519088-33	. . . CESSNA LOGO			02
40	0519088-41	. . . REGISTRATION			02
- 41	0519088-1	. EXTERIOR STYLE-ALL OVER WHITE	81234	81272	AR
			09771	10102	

CESSNA AIRCRAFT COMPANY
MODEL 172 (SERIES 1996 AND ON)
ILLUSTRATED PARTS CATALOG

B6380



AIRPLANES 17281273 THRU 17281355



AIRPLANES 172S10103 THRU 172S10423

EXTERIOR GRAPHICS
FIGURE 07 (SHEET 1)

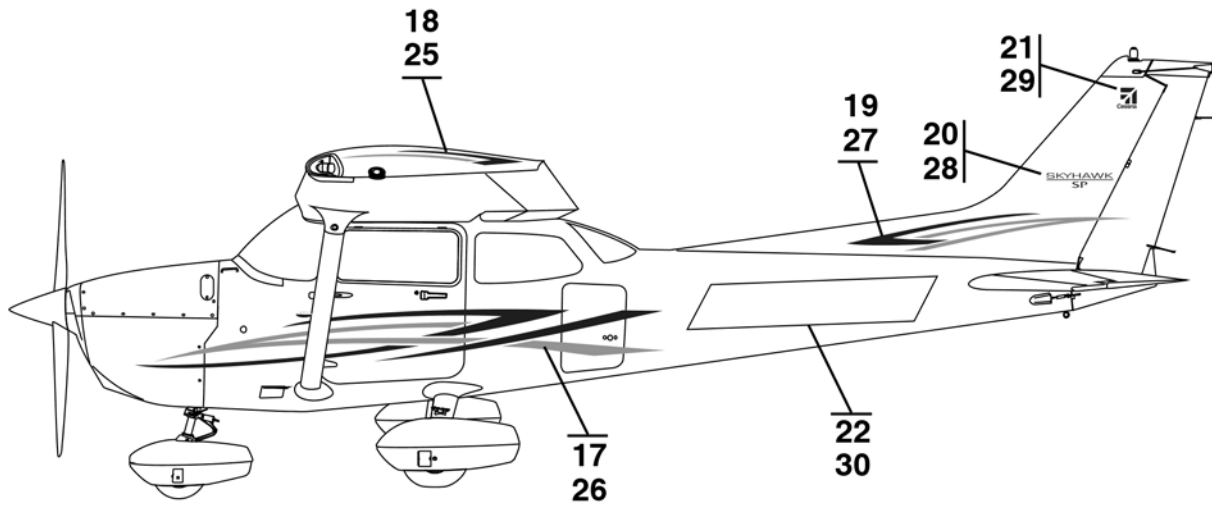
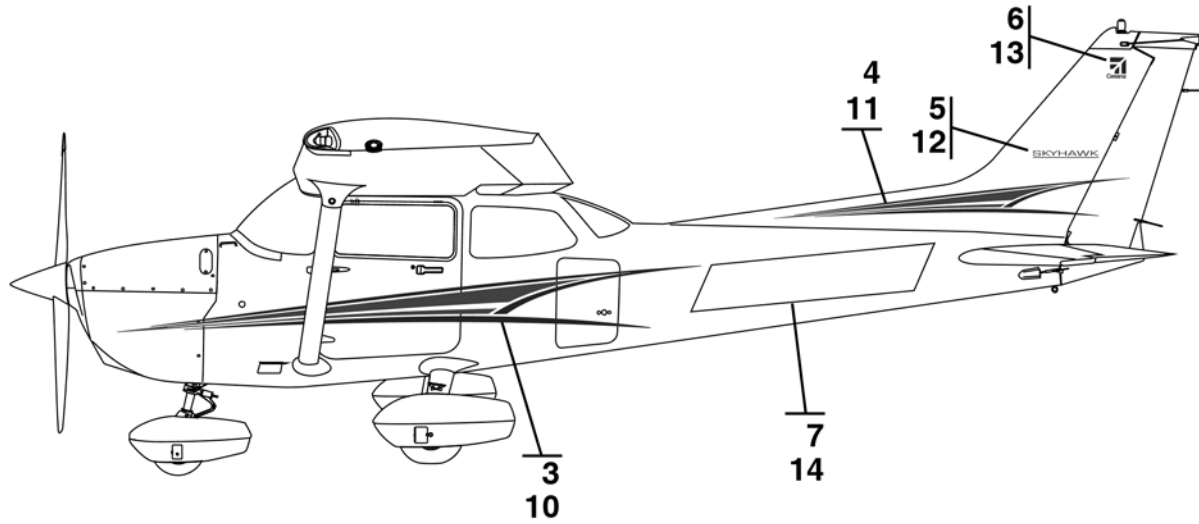
0519T098

CESSNA AIRCRAFT COMPANY
MODEL 172 (SERIES 1996 AND ON)
ILLUSTRATED PARTS CATALOG

FIG ITEM	PART NUMBER	NOMENCLATURE	UNITS		
			PER	ASSY	
		1 2 3 4 5 6 7			
07					
-		EXTERIOR GRAPHICS	81273	81355	RF
			10103	10423	
- 1	0519098-2	. EXTERIOR GRAPHICS PKG-OPT 1 DARK RED/BLACK			01
- 2	0519098-42	. . . VENDOR KIT 172 OPTION 1			01
3	0519098-12	. . . FUSELAGE GRAPHIC LH			01
- 3A	0519098-13	. . . FUSELAGE GRAPHIC RH			01
4	0519098-11	. . . TOP GRAPHIC LH			01
- 4A	0519098-10	. . . TOP GRAPHIC RH			01
5	0519098-9	. . . TAIL GRAPHIC LH			01
- 5A	0519098-8	. . . TAIL GRAPHIC RH			01
6	0519098-7	. . . SKYHAWK LOGO (BLACK)			02
7	0519098-6	. . . CESSNA LOGO (BLACK)			02
8	0519098-14	. . . REGISTRATION (BLACK)			02
- 8A	0719099-17	. . . REGISTRATION (BLACK) ALT FOR 0519098-14			02 R
- 9	0519098-3	. EXTERIOR GRAPHICS PKG-OPT 2 PLUM/CHARCOAL			01
- 10	0519098-43	. . . VENDOR KIT 172 OPTION 2			01
11	0519098-21	. . . FUSELAGE GRAPHIC LH			01
- 11A	0519098-22	. . . FUSELAGE GRAPHIC RH			01
12	0519098-19	. . . TOP GRAPHIC LH			01
- 12A	0519098-20	. . . TOP GRAPHIC RH			01
13	0519098-17	. . . TAIL GRAPHIC LH			01
- 13A	0519098-18	. . . TAIL GRAPHIC RH			01
14	0519098-16	. . . SKYHAWK LOGO (LIGHT CHARCOAL METALLIC)			02
15	0519098-15	. . . CESSNA LOGO (LIGHT CHARCOAL METALLIC)			02
16	0519098-23	. . . REGISTRATION (LIGHT CHARCOAL METALLIC)			02
- 16A	0519088-32	. . . REGISTRATION (LIGHT CHARCOAL METALLIC) ALT FOR 0519098-23			02 R
- 17	0519098-4	. EXTERIOR GRAPHICS PKG-OPT 1 BLACK/MEDIUM BLUE/SAGE			01
- 18	0519098-44	. . . VENDOR KIT 172S OPTION 1			01
19	0519098-31	. . . FUSELAGE GRAPHIC LH			01
- 19A	0519098-30	. . . FUSELAGE GRAPHIC RH			01
20	0519098-29	. . . WING GRAPHIC LH			01
- 20A	0519098-28	. . . WING GRAPHIC RH			01
21	0519098-27	. . . TAIL GRAPHIC LH			01
- 21A	0519098-26	. . . TAIL GRAPHIC RH			01
22	0519098-25	. . . SKYHAWK LOGO (MEDIUM BLUE)			02
23	0519098-24	. . . CESSNA LOGO (MEDIUM BLUE)			02
24	0519098-32	. . . REGISTRATION (MEDIUM BLUE)			02
- 25	0519098-5	. EXTERIOR GRAPHICS PKG-OPT 2 CHARCOAL/BURGUNDY/BRONZE			01
- 26	0519098-45	. . . VENDOR KIT 172S OPTION 2			01
27	0519098-39	. . . FUSELAGE GRAPHIC LH			01
- 27A	0519098-40	. . . FUSELAGE GRAPHIC RH			01
28	0519098-37	. . . WING GRAPHIC LH			01
- 28A	0519098-38	. . . WING GRAPHIC RH			01
29	0519098-35	. . . TAIL GRAPHIC LH			01
- 29A	0519098-36	. . . TAIL GRAPHIC RH			01
30	0519098-34	. . . SKYHAWK LOGO (BURGUNDY)			02
31	0519098-33	. . . CESSNA LOGO (BURGUNDY)			02
32	0519098-41	. . . REGISTRATION (BURGUNDY)			02
- 33	0519098-1	. EXTERIOR - ALL OVER WHITE			AR
- 34	K000258	. . . PAINT V90227			AR

CESSNA AIRCRAFT COMPANY
MODEL 172 (SERIES 1996 AND ON)
 ILLUSTRATED PARTS CATALOG

B6381



EXTERIOR GRAPHICS
 FIGURE 08 (SHEET 1)

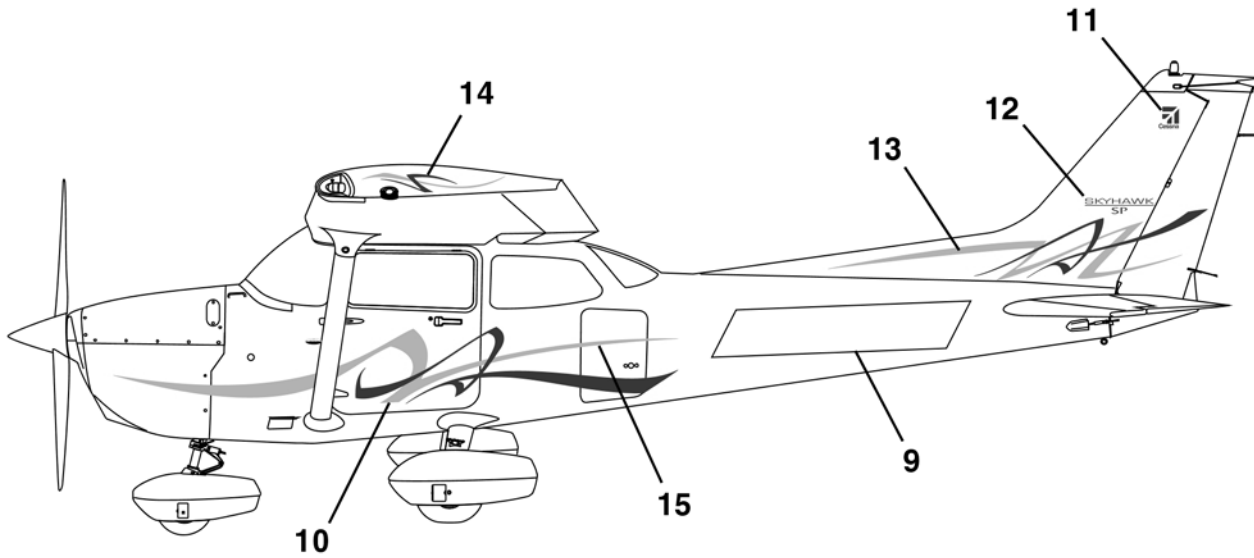
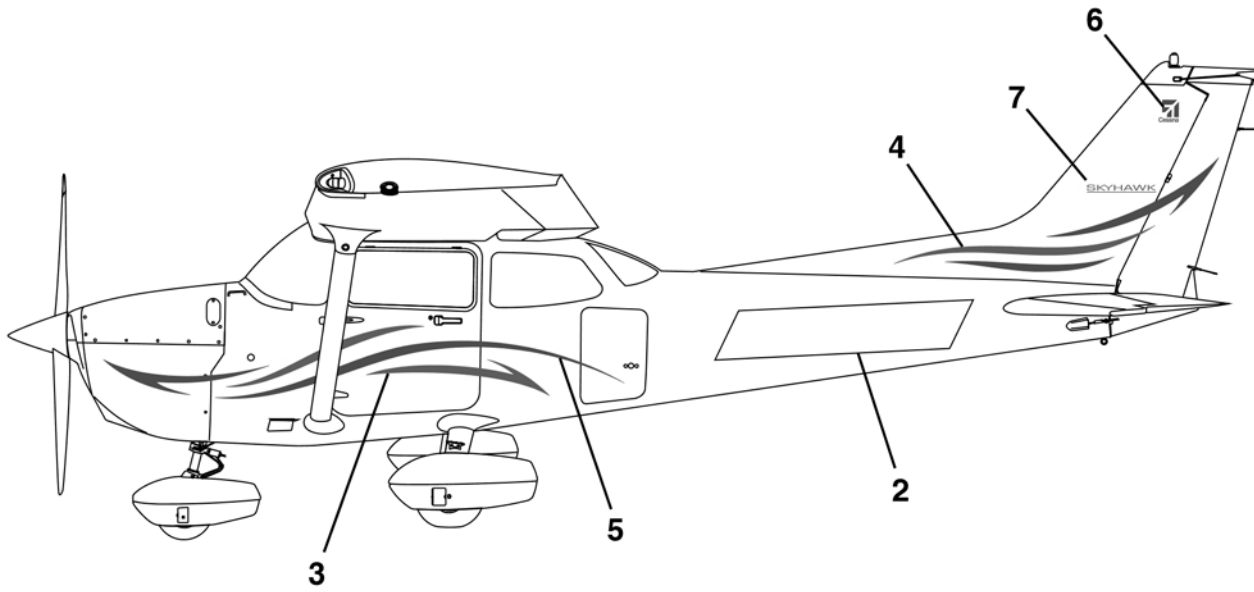
0519T102

CESSNA AIRCRAFT COMPANY MODEL 172 (SERIES 1996 AND ON) ILLUSTRATED PARTS CATALOG

FIG ITEM	PART NUMBER	NOMENCLATURE	UNITS		
			PER ASSY	RF	R
08					
-		EXTERIOR GRAPHICS	81357	81496	RF R
			10432	10655	
- 1	0519102-2	. EXTERIOR GRAPHICS PKG-OPTION 1 ROYAL BLUE/BLACK			01
- 2	0519102-13	. . . VENDOR KIT-172 OPTION 1			01
- 2A	138629-01	. . . 172R GRAPHICS-OPTION 1 ALT FOR 0519102-13 V4S434			01
3	0519102-11	. . . FUSELAGE GRAPHIC-LH			01
- 3A	0519102-12	. . . FUSELAGE GRAPHIC-RH			01
4	0519102-9	. . . TAIL GRAPHIC-LH			01
- 4A	0519102-10	. . . TAIL GRAPHIC-RH			01
5	0519102-7	. . . SKYHAWK LOGO (BLACK)			02
6	0519102-6	. . . CESSNA LOGO (BLACK)			02
7	0519102-8	. . . REGISTRATION (BLACK)			02
- 7A	119596-31	. . . REGISTRATION (BLACK)-VINYL ALT FOR 0519102-8 V4S434			02
- 8	0519102-3	. EXTERIOR GRAPHICS PKG-OPTION 2 BURGUNDY/LIGHT CHARCOAL METALLIC			01
- 9	0519102-21	. . . VENDOR KIT-172 OPTION 2			01
- 9A	138629-02	. . . 172R GRAPHICS-OPTION 2 ALT FOR 0519102-21 V4S434			01
10	0519102-19	. . . FUSELAGE GRAPHIC-LH			01
- 10A	0519102-20	. . . FUSELAGE GRAPHIC-RH			01
11	0519102-17	. . . TAIL GRAPHIC-LH			01
- 11A	0519102-18	. . . TAIL GRAPHIC-RH			01
12	0519102-15	. . . SKYHAWK LOGO (BURGUNDY)			02
13	0519102-6	. . . CESSNA LOGO (BLACK)			02
14	0519102-8	. . . REGISTRATION (BLACK)			02
- 14A	119596-31	. . . REGISTRATION (BLACK)-VINYL ALT FOR 0519102-8 V4S434			02
- 15	0519102-4	. EXTERIOR GRAPHICS PKG-OPTION 1 DARK TUNDRA/SAGE			01
- 16	0519102-31	. . . VENDOR KIT-172S OPTION 1			01
- 16A	138630-01	. . . 172S GRAPHICS-OPTION 1 ALT FOR 0519102-31 V4S434			01
17	0519102-29	. . . FUSELAGE GRAPHIC-LH			01
- 17A	0519102-30	. . . FUSELAGE GRAPHIC-RH			01
18	0519102-27	. . . WING GRAPHIC-LH			01
- 18A	0519102-28	. . . WING GRAPHIC-RH			01
19	0519102-25	. . . TAIL GRAPHIC-LH			01
- 19A	0519102-26	. . . TAIL GRAPHIC-RH			01
20	0519102-23	. . . SKYHAWK SP LOGO (TUNDRA)			02
21	0519102-22	. . . CESSNA LOGO (DARK TUNDRA)			02
22	0519102-24	. . . REGISTRATION (DARK TUNDRA)			02
- 22A	119596-44	. . . REGISTRATION (DARK TUNDRA)-VINYL ALT FOR 0519102-24 V4S434			02
- 23	0519102-5	. EXTERIOR GRAPHICS PKG-OPTION 2 DARK BLUE/PEWTER			01
- 24	0519102-41	. . . VENDOR KIT-172S OPTION 2			01
- 24A	138630-02	. . . 172S GRAPHICS-OPTION 2 ALT FOR 0519102-41 V4S434			01
25	0519102-37	. . . WING GRAPHIC-LH			01
- 25A	0519102-38	. . . WING GRAPHIC-RH			01
26	0519102-39	. . . FUSELAGE GRAPHIC-LH			01
- 26A	0519102-40	. . . FUSELAGE GRAPHIC-RH			01
27	0519102-35	. . . TAIL GRAPHIC-LH			01
- 27A	0519102-36	. . . TAIL GRAPHIC-RH			01
28	0519102-33	. . . SKYHAWK SP LOGO (DARK BLUE)			02
29	0519102-32	. . . CESSNA LOGO (DARK BLUE)			02
30	0519102-34	. . . REGISTRATION (DARK BLUE)			02
- 30A	119596-10	. . . REGISTRATION (DARK BLUE)-VINYL ALT FOR 0519102-34 V4S434			02
- 31	K000258	. EXTERIOR PAINT-ALL OVER WHITE V90227			AR

CESSNA AIRCRAFT COMPANY
MODEL 172 (SERIES 1996 AND ON)
ILLUSTRATED PARTS CATALOG

B17652



0519T104

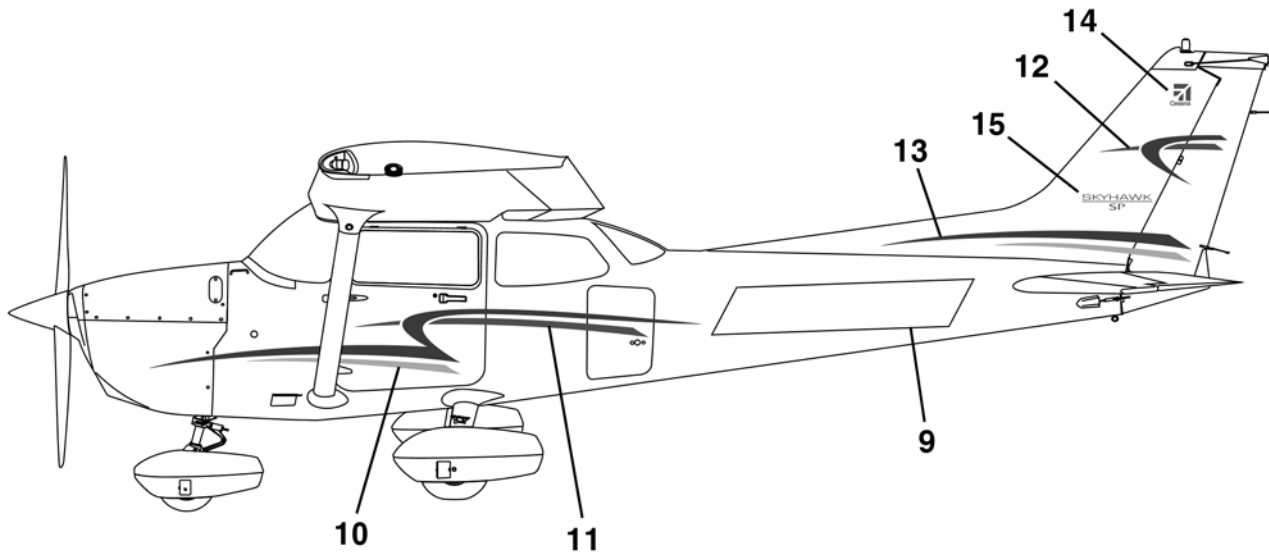
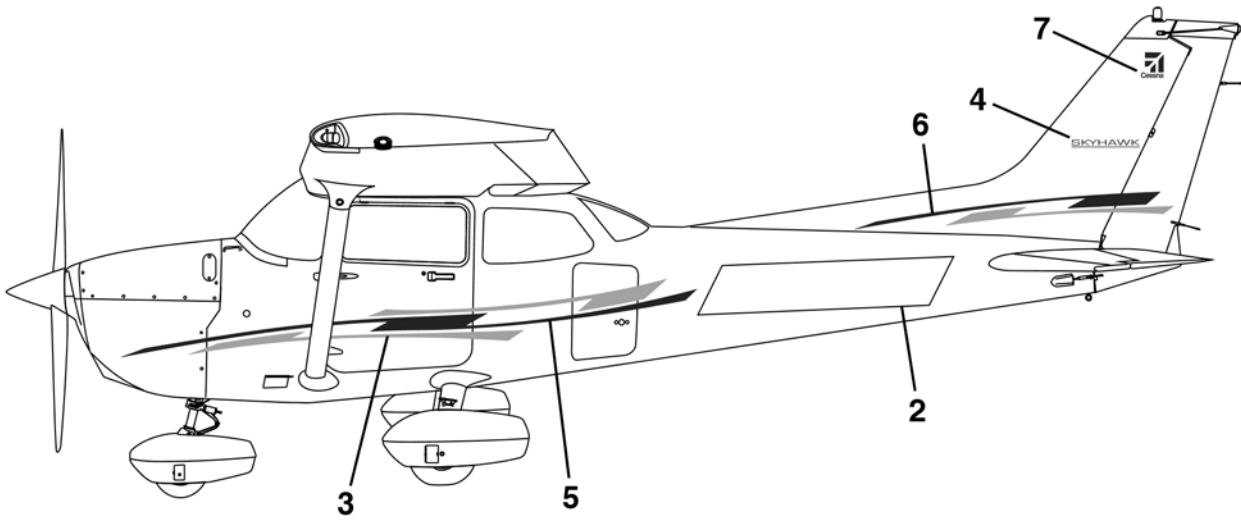
EXTERIOR GRAPHICS
FIGURE 09 (SHEET 1)

CESSNA AIRCRAFT COMPANY
MODEL 172 (SERIES 1996 AND ON)
ILLUSTRATED PARTS CATALOG

FIG ITEM	PART NUMBER	NOMENCLATURE	UNITS PER ASSY		
			1	2	3
09					
-		EXTERIOR GRAPHICS	81497	81544	RF R
			10656	10885	
- 1	0519104-2	. GRAPHICS 172 OPTION 1 REFER TO NOTE 1			01 R
- 1A	0519104-3	. GRAPHICS 172 OPTION 2 REFER TO NOTE 2			01 R
2	0519104-10	. . REGISTRATION (DEEP PLUM) OPTION 1			02 R
- 2A	0519104-18	. . REGISTRATION (CHARCOAL METALLIC) OPTION 2			02 R
3	0519104-15	. . VENDOR KIT OPTION 1			01 R
- 3A	0519104-23	. . VENDOR KIT OPTION 2			01 R
4	0519104-11	. . . TAIL GRAPHIC - LH OPTION 1			01 R
- 4A	0519104-12	. . . TAIL GRAPHIC - RH OPTION 1			01 R
- 4B	0519104-19	. . . TAIL GRAPHIC - LH OPTION 2			01 R
- 4C	0519104-20	. . . TAIL GRAPHIC - RH OPTION 2			01 R
5	0519104-13	. . . FUSELAGE GRAPHIC - LH OPTION 1			01 R
- 5A	0519104-14	. . . FUSELAGE GRAPHIC - RH OPTION 1			01 R
- 5B	0519104-21	. . . FUSELAGE GRAPHIC - LH OPTION 2			01 R
- 5C	0519104-22	. . . FUSELAGE GRAPHIC - RH OPTION 2			01 R
6	0519104-8	. . . CESSNA LOGO (DEEP PLUM) OPTION 1			02 R
- 6A	0519104-16	. . . CESSNA LOGO (CHARCOAL METALLIC) OPTION 2			02 R
7	0519104-9	. . . SKYHAWK LOGO (DEEP PLUM) OPTION 1			02 R
- 7A	0519104-17	. . . SKYHAWK LOGO (CHARCOAL METALLIC) OPTION 2			02 R
- 8	0519104-4	. GRAPHICS 172S OPTION 1 REFER TO NOTE 3			01 R
- 8A	0519104-5	. GRAPHICS 172S OPTION 2 REFER TO NOTE 4			01 R
9	0519104-26	. . REGISTRATION (DARK BROWN) OPTION 1			02 R
- 9A	0519104-36	. . REGISTRATION (BURGUNDY) OPTION 2			02 R
10	0519104-33	. . VENDOR KIT OPTION 1			01 R
- 10A	0519104-43	. . VENDOR KIT OPTION 2			01 R
11	0519104-24	. . . CESSNA LOGO (DARK BROWN) OPTION 1			02 R
- 11A	0519104-34	. . . CESSNA LOGO (BURGUNDY) OPTION 2			02 R
12	0519104-25	. . . SKYHAWK SP LOGO (DARK BROWN) OPTION 1			02 R
- 12A	0519104-35	. . . SKYHAWK SP LOGO (BURGUNDY) OPTION 2			02 R
13	0519104-27	. . . TAIL GRAPHIC - LH OPTION 1			01 R
- 13A	0519104-28	. . . TAIL GRAPHIC - RH OPTION 1			01 R
- 13B	0519104-37	. . . TAIL GRAPHIC - LH OPTION 2			01 R
- 13C	0519104-38	. . . TAIL GRAPHIC - RH OPTION 2			01 R
14	0519104-29	. . . WING GRAPHIC - LH OPTION 1			01 R
- 14A	0519104-30	. . . WING GRAPHIC - RH OPTION 1			01 R
- 14B	0519104-39	. . . WING GRAPHIC - LH OPTION 2			01 R
- 14C	0519104-40	. . . WING GRAPHIC - RH OPTION 2			01 R
15	0519104-31	. . . FUSELAGE GRAPHIC - LH OPTION 1			01 R
- 15A	0519104-32	. . . FUSELAGE GRAPHIC - RH OPTION 1			01 R
- 15B	0519104-41	. . . FUSELAGE GRAPHIC - LH OPTION 2			01 R
- 15C	0519104-42	. . . FUSELAGE GRAPHIC - RH OPTION 2			01 R
		NOTE 1—3M PAINT CODES: TOMATO RED (7725-13) AND DEEP PLUM (PN-5473)			R
		NOTE 2—3M PAINT CODES: PEWTER (PN-5543) AND CHARCOAL METALLIC (PN-4977)			R
		NOTE 3—3M PAINT CODES: DARK BROWN (PN-5085) AND SILVER BLUE (PHN-5113)			R
		NOTE 4—3M PAINT CODES: BURGUNDY (PN-4862) AND PASTEL SANDSTONE (PN-5094)			R

CESSNA AIRCRAFT COMPANY
MODEL 172 (SERIES 1996 AND ON)
ILLUSTRATED PARTS CATALOG

B17649



0519T1123
0519T1124

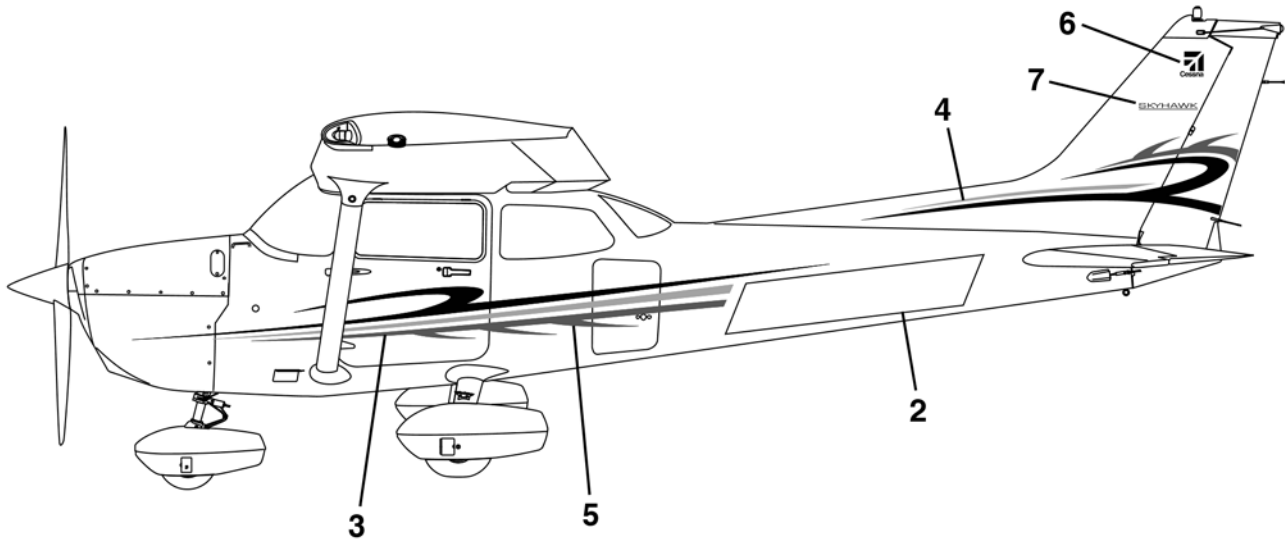
EXTERIOR GRAPHICS
FIGURE 10 (SHEET 1)

CESSNA AIRCRAFT COMPANY
MODEL 172 (SERIES 1996 AND ON)
ILLUSTRATED PARTS CATALOG

FIG ITEM	PART NUMBER	NOMENCLATURE	UNITS PER ASSY		
			1	2	3
10					
-		EXTERIOR GRAPHICS	81545	& ON	RF R
			10886	& ON	
- 1	0519111-1	. GRAPHICS 172 OPTION 1 REFER TO NOTE 1			01 R
- 1A	0519111-2	. GRAPHICS 172 OPTION 2 REFER TO NOTE 2			01 R
2	0519111-11	. . REGISTRATION (SAPPHIRE BLUE)			02 R
- 2A	0519111-19	. . REGISTRATION (BURGUNDY)			02 R
3	0519111-12	. . VENDOR KIT			01 R
- 3A	0519111-20	. . VENDOR KIT			01 R
4	0519111-10	. . . SKYHAWK LOGO (SAPPHIRE BLUE)			02 R
- 4A	0519111-18	. . . SKYHAWK LOGO (BURGUNDY)			02 R
5	0519111-5	. . . FUSELAGE GRAPHIC - LH			01 R
- 5A	0519111-6	. . . FUSELAGE GRAPHIC - RH			01 R
- 5B	0519111-13	. . . FUSELAGE GRAPHIC - LH			01 R
- 5C	0519111-14	. . . FUSELAGE GRAPHIC - RH			01 R
6	0519111-7	. . . TAIL GRAPHIC - LH			01 R
- 6A	0519111-8	. . . TAIL GRAPHIC - RH			01 R
- 6B	0519111-15	. . . TAIL GRAPHIC - LH			01 R
- 6C	0519111-16	. . . TAIL GRAPHIC - RH			01 R
7	0519111-9	. . . CESSNA LOGO (SAPPHIRE BLUE)			02 R
- 7A	0519111-17	. . . CESSNA LOGO (BURGUNDY)			02 R
- 8	0519111-3	. GRAPHICS 172S OPTION 1 REFER TO NOTE 3			01 R
- 8A	0519111-4	. GRAPHICS 172S OPTION 2 REFER TO NOTE 4			01 R
9	0519111-29	. . REGISTRATION (PUTTY) OPTION 1			02 R
- 9A	0519111-39	. . REGISTRATION (CHARCOAL METALLIC) OPTION 2			02 R
10	0519111-30	. . VENDOR KIT OPTION 1			01 R
- 10A	0519111-40	. . VENDOR KIT OPTION 2			01 R
11	0519111-21	. . . FUSELAGE GRAPHIC - LH OPTION 1			01 R
- 11A	0519111-22	. . . FUSELAGE GRAPHIC - RH OPTION 1			01 R
- 11B	0519111-31	. . . FUSELAGE GRAPHIC - LH OPTION 2			01 R
- 11C	0519111-32	. . . FUSELAGE GRAPHIC - RH OPTION 2			01 R
12	0519111-23	. . . TOP TAIL - LH OPTION 1			01 R
- 12A	0519111-24	. . . TOP TAIL - RH OPTION 1			01 R
- 12B	0519111-33	. . . TOP TAIL - LH OPTION 2			01 R
- 12C	0519111-34	. . . TOP TAIL - RH OPTION 2			01 R
13	0519111-25	. . . BOTTOM TAIL - LH OPTION 1			01 R
- 13A	0519111-26	. . . BOTTOM TAIL - RH OPTION 1			01 R
- 13B	0519111-35	. . . BOTTOM TAIL - LH OPTION 2			01 R
- 13C	0519111-36	. . . BOTTOM TAIL - RH OPTION 2			01 R
14	0519111-27	. . . CESSNA LOGO (PUTTY) OPTION 1			02 R
- 14A	0519111-37	. . . CESSNA LOGO (CHARCOAL METALLIC) OPTION 2			02 R
15	0519111-28	. . . SKYHAWK LOGO SP (PUTTY) OPTION 1			02 R
- 15A	0519111-38	. . . SKYHAWK SP LOGO (CHARCOAL METALLIC) OPTION 2			02 R
		NOTE 1—3M PAINT CODES: SILVER METALLIC (PN-4861) AND SAPPHIRE BLUE (7725-37)			R
		NOTE 2—3M PAINT CODES: SUNFLOWER (7725-25) AND BURGUNDY (7725-58)			R
		NOTE 3—3M PAINT CODES: CARDINAL RED (7725-53) AND PUTTY (7725-59) AND BEIGE (7725-49)			R
		NOTE 4—3M PAINT CODES: AZURE BLUE (PN-5013) AND CHARCOAL METALLIC (PN-4977) AND LIGHT CHARCOAL METALLIC (PN-4980)			R

CESSNA AIRCRAFT COMPANY
MODEL 172 (SERIES 1996 AND ON)
ILLUSTRATED PARTS CATALOG

B17650



EXTERIOR GRAPHICS
FIGURE 11 (SHEET 1)

0519T1125

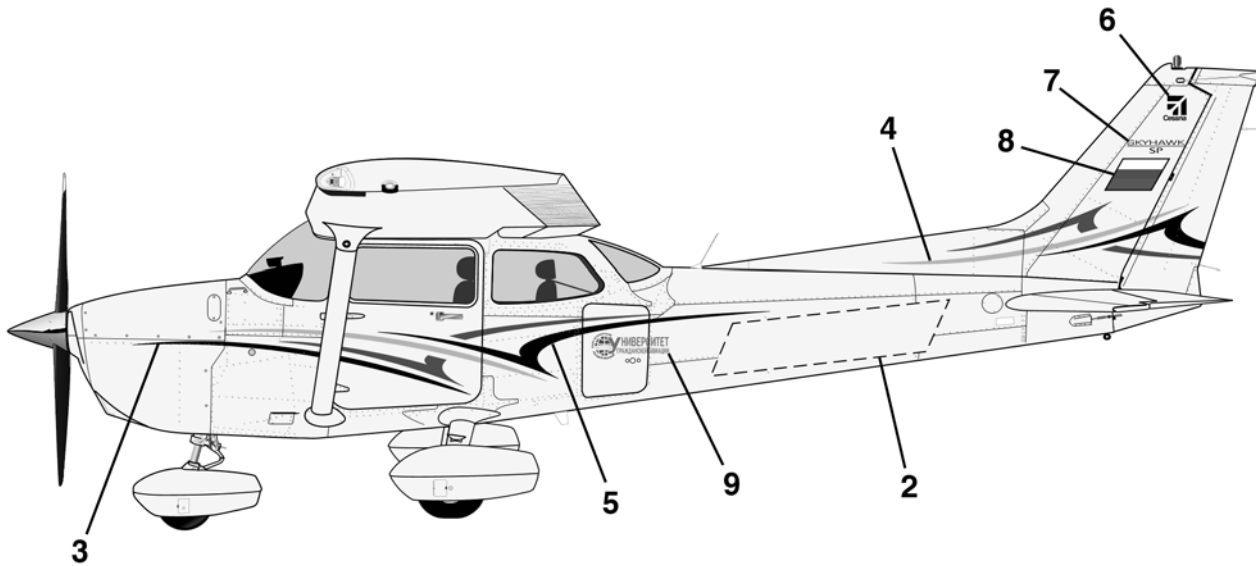
CESSNA AIRCRAFT COMPANY
MODEL 172 (SERIES 1996 AND ON)
ILLUSTRATED PARTS CATALOG

FIG ITEM	PART NUMBER	NOMENCLATURE	UNITS PER ASSY		
			1	2	3
11					
-		EXTERIOR GRAPHICS	81564	81602	RF R
			11022	11153	
- 1	0519122-1	. GRAPHICS 172 OPTION 1 REFER TO NOTE 1			01
- 1A	0519122-4	. GRAPHICS 172S OPTION 1 REFER TO NOTE 1			01
- 1B	0519122-2	. GRAPHICS 172 OPTION 2 REFER TO NOTE 2			01
- 1C	0519122-5	. GRAPHICS 172S OPTION 2 REFER TO NOTE 2			01
- 1D	0519122-3	. GRAPHICS 172 OPTION 3 REFER TO NOTE 3			01
- 1E	0519122-6	. GRAPHICS 172S OPTION 3 REFER TO NOTE 3			01
2	0519122-13	. . . REGISTRATION (BLACK) OPTION 1			02
- 2A	0519122-29	. . . REGISTRATION (MIDNIGHT BLUE) 172 & 172S OPTION 3			02
- 2B	0519122-21	. . . REGISTRATION (BURGUNDY) 172 & 172S OPTION 2			02
3	0519122-14	. . . VENDOR KIT 172 OPTION 1			01
- 3A	0519122-32	. . . VENDOR KIT 172S OPTION 1			01
- 3B	0519122-22	. . . VENDOR KIT 172 OPTION 2			01
- 3C	0519122-34	. . . VENDOR KIT 172S OPTION 2			01
- 3D	0519122-30	. . . VENDOR KIT 172 OPTION 3			01
- 3E	0519122-36	. . . VENDOR KIT 172S OPTION 3			01
4	0519122-10	. . . TAIL GRAPHIC - RH 172 & 172S OPTION 1			01
- 4A	0519122-9	. . . TAIL GRAPHIC - LH 172 & 172S OPTION 1			01
- 4B	0519122-17	. . . TAIL GRAPHIC - LH 172 & 172S OPTION 2			01
- 4C	0519122-18	. . . TAIL GRAPHIC - RH 172 & 172S OPTION 2			01
- 4D	0519122-25	. . . TAIL GRAPHIC - LH 172 & 172S OPTION 3			01
- 4E	0519122-26	. . . TAIL GRAPHIC - RH 172 & 172S OPTION 3			01
5	0519122-7	. . . FUSELAGE GRAPHIC - LH 172 & 172S OPTION 1			01
- 5A	0519122-8	. . . FUSELAGE GRAPHIC - RH 172 & 172S OPTION 1			01
- 5B	0519122-15	. . . FUSELAGE GRAPHIC - LH 172 & 172S OPTION 2			01
- 5C	0519122-16	. . . FUSELAGE GRAPHIC - RH 172 & 172S OPTION 2			01
- 5D	0519122-23	. . . FUSELAGE GRAPHIC - LH 172 & 172S OPTION 3			01
- 5E	0519122-24	. . . FUSELAGE GRAPHIC - RH 172 & 172S OPTION 3			01
6	0519122-11	. . . CESSNA LOGO (BLACK) 172 & 172S OPTION 1			02
- 6A	0519122-19	. . . CESSNA LOGO (BURGUNDY) 172 & 172S OPTION 2			02
- 6B	0519122-27	. . . CESSNA LOGO (MIDNIGHT BLUE) 172 & 172S OPTION 3			02
7	0519122-12	. . . SKYHAWK LOGO (BLACK) OPTION 1			02
- 7A	0519122-31	. . . SKYHAWK SP LOGO (BLACK) OPTION 1			02
- 7B	0519122-20	. . . SKYHAWK LOGO (BURGUNDY) 172 OPTION 2			02
- 7C	0519122-33	. . . SKYHAWK SP LOGO (BURGUNDY) 172S OPTION 2			02
- 7D	0519122-28	. . . SKYHAWK LOGO (MIDNIGHT BLUE) 172 OPTION 3			02
- 7E	0519122-35	. . . SKYHAWK SP LOGO (MIDNIGHT BLUE) 172S OPTION 3			02

NOTE 1—3M PAINT CODES: BLACK (7725-12) AND PEWTER (PN5546) AND LIGHT CHARCOAL METALLIC (PHN4980)
NOTE 2—3M PAINT CODES: BURGUNDY (PN4862) AND CHARCOAL METALLIC (PN4977) AND LIGHT SLATE METALLIC (PHN4986)
NOTE 3—3M PAINT CODES: MIDNIGHT BLUE (PN5077) AND PASTEL SANDSTONE (PN5094) AND MEDIUM BLUE (PN5078)

CESSNA AIRCRAFT COMPANY
MODEL 172 (SERIES 1996 AND ON)
ILLUSTRATED PARTS CATALOG

B18489



EXTERIOR GRAPHICS
FIGURE 12 (SHEET 1)

CESSNA AIRCRAFT COMPANY MODEL 172 (SERIES 1996 AND ON) ILLUSTRATED PARTS CATALOG

FIG ITEM	PART NUMBER	NOMENCLATURE	UNITS PER ASSY		
			1	2	3
12					
-		EXTERIOR GRAPHICS		81603 & ON	RF R
			11154	11661	
- 1	0519123-1	. GRAPHICS 172 OPTION 1 REFER TO NOTE 1			01
- 1A	0519123-4	. GRAPHICS 172S OPTION 1 REFER TO NOTE 1			01
- 1B	0519123-2	. GRAPHICS 172 OPTION 2 REFER TO NOTE 2			01
- 1C	0519123-5	. GRAPHICS 172S OPTION 2 REFER TO NOTE 2			01
- 1D	0519123-3	. GRAPHICS 172 OPTION 3 REFER TO NOTE 3			01
- 1E	0519123-6	. GRAPHICS 172S OPTION 3 REFER TO NOTE 3			01
- 1F	0519123-35	. GRAPHICS 172S OPTION 4 REFER TO NOTE 4			01
2	0519123-23	. . . REGISTRATION-LH BLACK 172 & 172S OPTION 1, 2 AND 4			01
- 2A	0519123-24	. . . REGISTRATION-RH BLACK 172 & 172S OPTION 1, 2 AND 4			01
- 2B	0519123-25	. . . REGISTRATION-LH BURGNDY 172 & 172S OPTION 3			01
- 2C	0519123-26	. . . REGISTRATION-RH BURGNDY 172 & 172S OPTION 3			01
3	0519123-7	. . . VENDOR KIT 172 & 172S OPTION 1 AND 4			01
- 3A	0519123-8	. . . VENDOR KIT 172 & 172S OPTION 2			01
- 3B	0519123-9	. . . VENDOR KIT 172 & 172S OPTION 3			01
4	0519123-21	. . . TAIL GRAPHIC-LH 172 & 172S OPTION 1			01
- 4A	0519123-22	. . . TAIL GRAPHIC-RH 172 & 172S OPTION 1			01
- 4B	0519123-29	. . . TAIL GRAPHIC-LH 172 & 172S OPTION 2			01
- 4C	0519123-30	. . . TAIL GRAPHIC-RH 172 & 172S OPTION 2			01
- 4D	0519123-33	. . . TAIL GRAPHIC-LH 172 & 172S OPTION 3			01
- 4E	0519123-34	. . . TAIL GRAPHIC-RH 172 & 172S OPTION 3			01
5	0519123-19	. . . FUSELAGE GRAPHIC-LH 172 & 172S OPTION 1			01
- 5A	0519123-20	. . . FUSELAGE GRAPHIC-RH 172 & 172S OPTION 1			01
- 5B	0519123-27	. . . FUSELAGE GRAPHIC-LH 172 & 172S OPTION 2			01
- 5C	0519123-28	. . . FUSELAGE GRAPHIC-RH 172 & 172S OPTION 2			01
- 5D	0519123-31	. . . FUSELAGE GRAPHIC-LH 172 & 172S OPTION 3			01
- 5E	0519123-32	. . . FUSELAGE GRAPHIC-RH 172 & 172S OPTION 3			01
6	0519123-13	. . . CESSNA LOGO-BLACK 172 & 172S OPTION 1, 2 AND 4			02
- 6A	0519123-15	. . . CESSNA LOGO-BURGUNDY 172 & 172S OPTION 3			02
7	0519123-14	. . . SKYHAWK LOGO-BLACK 172 OPTIONS 1 AND 2			02
- 7A	0519123-16	. . . SKYHAWK LOGO-BURGUNDY 172 OPTIONS 3			02
- 7B	0519123-17	. . . SKYHAWK SP LOGO-BLACK 172S OPTIONS 1, 2 AND 4			02
- 7C	0519123-18	. . . SKYHAWK SP LOGO-BURGUNDY 172S OPTIONS 3			02
8	0519123-39	. . . RUSSIAN FLAG-LH 172S OPTION 4			01
- 8A	0519123-38	. . . RUSSIAN FLAG-RH 172S OPTION 4			01
9	0519123-37	. . . UNIVERSITY LOGO RUS-LH 172S OPTION 4			01
- 9A	0519123-36	. . . UNIVERSITY LOGO ENG-RH 172S OPTION 4			01

NOTE 1—DUPONT PAINT CODES: MATTERHORN WHITE (AF3102) AND 3M CODES: SILVER METALLIC (PN4861) AND AZURE BLUE METALLIC (PN5013) AND GLOSS BLACK (7725-12).

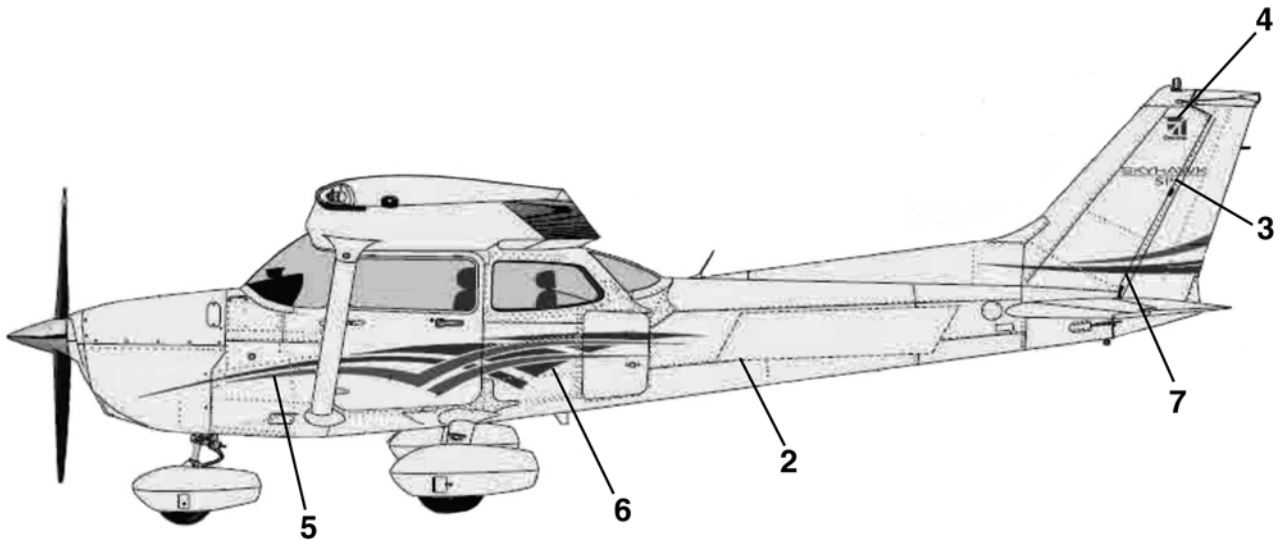
NOTE 2—DUPONT PAINT CODES: MATTERHORN WHITE (AF3102) AND 3M CODES: CHARCOAL METALLIC (PN4977) AND SUNFLOWER (7725-25) AND GLOSS BLACK (7725-12).

NOTE 3—DUPONT PAINT CODES: MATTERHORN WHITE (AF3102) AND 3M CODES: CHARCOAL METALLIC (PN4977) AND GLOSS BLACK (7725-12) AND BURGUNDY METALLIC (PN4857).

NOTE 4—DUPONT PAINT CODES: MATTERHORN WHITE (AF3102) AND 3M CODES: GLOSS BLACK (7725-12) AND WHITE (7725-10).

CESSNA AIRCRAFT COMPANY
MODEL 172 (SERIES 1996 AND ON)
ILLUSTRATED PARTS CATALOG

B21164



EXTERIOR GRAPHICS
FIGURE 13 (SHEET 1)

CESSNA AIRCRAFT COMPANY
MODEL 172 (SERIES 1996 AND ON)
ILLUSTRATED PARTS CATALOG

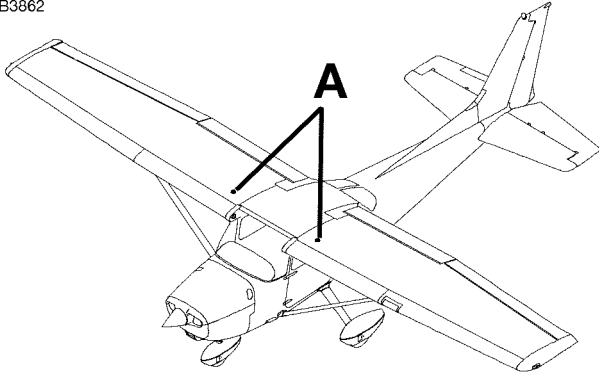
FIG ITEM	PART NUMBER	NOMENCLATURE	UNITS	
			PER	ASSY
13				
-		EXTERIOR GRAPHICS -172S	11662	& ON RF R
- 1	0519124-1	. EXTERIOR STYLING-OPTION 1 REFER TO NOTE 1		01 R
- 1A	0519124-2	. EXTERIOR STYLING-OPTION 1 REFER TO NOTE 2		01 R
- 2	0519124-13	. . REGISTRATION-LH OPTION 1		01 R
- 2A	0519124-14	. . REGISTRATION-RH OPTION 1		01 R
- 2B	0519124-19	. . REGISTRATION-LH OPTION 2		01 R
- 2C	0519124-20	. . REGISTRATION-RH OPTION 2		01 R
- 3	0519124-3	. . SKYHAWK LOGO-OPTION 1		01 R
- 3A	0519124-4	. . SKYHAWK LOGO-OPTION 2		01 R
- 4	0519124-5	. . CESSNA LOGO-OPTION 1		01 R
- 4A	0519124-6	. . CESSNA LOGO-OPTION 2		01 R
- 5	0519124-7	. . VENDOR KIT-OPTION 1		01 R
- 5A	0519124-8	. . VENDOR KIT-OPTION 2		01 R
- 6	0519124-9	. . . FUSELAGE GRAPHIC-LH OPTION 1		01 R
- 6A	0519124-10	. . . FUSELAGE GRAPHIC-RH OPTION 1		01 R
- 6B	0519124-15	. . . FUSELAGE GRAPHIC-LH OPTION 2		01 R
- 6C	0519124-16	. . . FUSELAGE GRAPHIC-RH OPTION 2		01 R
- 7	0519124-11	. . . TAIL GRAPHIC-LH OPTION 1		01 R
- 7A	0519124-12	. . . TAIL GRAPHIC-RH OPTION 1		01 R
- 7B	0519124-17	. . . TAIL GRAPHIC-LH OPTION 2		01 R
- 7C	0519124-18	. . . TAIL GRAPHIC-RH OPTION 2		01 R

NOTE 1—DUPONT PAINT CODE: MATTERHORN WHITE (AF3502) AND 3M CODES: DEEP RED (7725-23VINYL) AND HARBOR METALLIC (PN-7176 VINYL) FOR OPTION 1. R

NOTE 2—DUPONT PAINT CODE: MATTERHORN WHITE (AF3502) AND 3M CODES: INDIGO BLUE METALLIC (PN-7141 VINYL) AND SILVER METALLIC (PN-4861 VINYL) FOR OPTION 2. R

CESSNA AIRCRAFT COMPANY
MODEL 172 (SERIES 1996 AND ON)
ILLUSTRATED PARTS CATALOG

B3862



FUEL
100LL / 100 MIN. GRADE AVIATION GASOLINE
CAP. 26.5 U.S. GAL. (100 LITRES) USABLE
CAP. 17.5 U.S. GAL. (66 LITRES) USABLE
TO BOTTOM OF FILLER INDICATOR TAB. 0505094-7

1
DETAIL A

FUEL
100LL / 100 MIN. GRADE AVIATION GASOLINE
CAP. 26.5 U.S. GAL. (100 LITERS) USABLE
CAP. 17.5 U.S. GAL. (66 LITERS) USABLE TO
BOTTOM OF FILLER INDICATOR TAB. S4004-3

3
DETAIL A

0510T1007

CANADIAN EXTERIOR PLACARDS AND MARKINGS - WINGS
FIGURE 01 (SHEET 1)

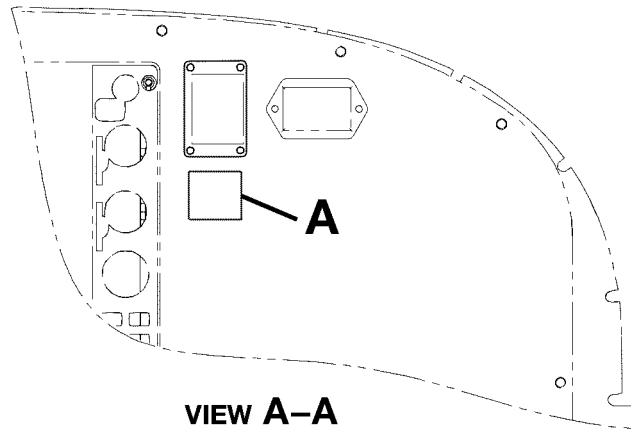
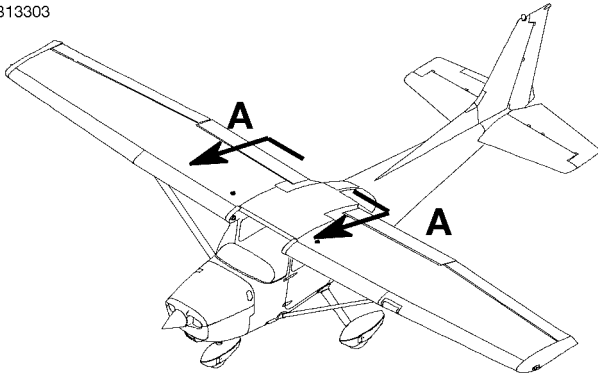
CESSNA AIRCRAFT COMPANY
MODEL 172 (SERIES 1996 AND ON)
 ILLUSTRATED PARTS CATALOG

FIG ITEM	PART NUMBER	NOMENCLATURE	UNITS PER ASSY	
			1 2 3 4 5 6 7	
01		CANADIAN EXTERIOR PLACARDS AND MARKINGS - WINGS		RF
-				
1	0505094-7	. PLACARD-FUEL CAPACITY 172 FSO S4004-3	80255 81097	NP R
			81116 81335	
- 2	0505094-7	. PLACARD-FUEL CAPACITY 172S FSO S4004-3	08130 09062	NP R
			09098 10234	
3	S4004-3	. PLACARD-FUEL CAPACITY 172	81336 & ON	02 R
- 4	S4004-3	. PLACARD-FUEL CAPACITY 172S	10235 & ON	02 R

- ITEM NOT ILLUSTRATED

CESSNA AIRCRAFT COMPANY
MODEL 172 (SERIES 1996 AND ON)
ILLUSTRATED PARTS CATALOG

B13303



FOR AVIATION
EMERGENCY
USE ONLY.
UNAUTHORIZED
OPERATION
PROHIBITED.

1
DETAIL A

0510T1007
A0511T1025

CANADA INTERIOR PLACARDS AND MARKINGS-FLIGHT COMPARTMENT
FIGURE 01 (SHEET 1)

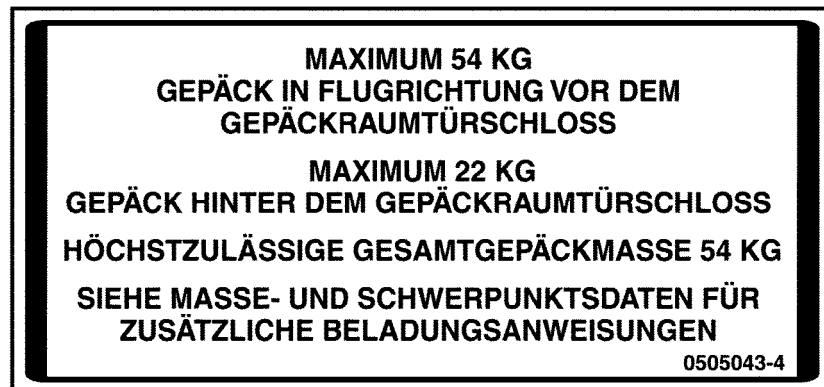
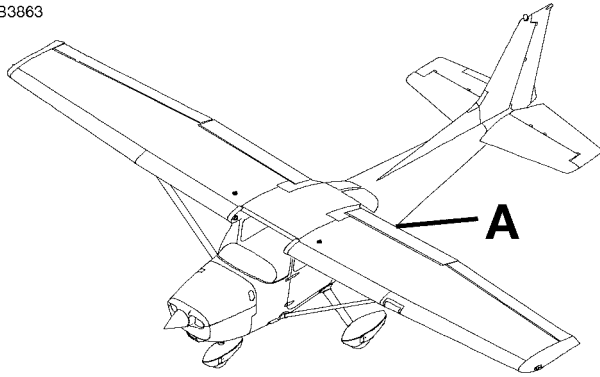
CESSNA AIRCRAFT COMPANY
MODEL 172 (SERIES 1996 AND ON)
 ILLUSTRATED PARTS CATALOG

FIG ITEM	PART NUMBER	1 2 3 4 5 6 7	NOMENCLATURE	UNITS PER ASSY
01			CANADA INTERIOR PLACARDS AND MARKINGS-FLIGHT COMPARTMENT	RF R
-				
- 1	9505011-2		. PLACARD-ELT 172	81538 & ON 01 R
- 2	9505011-2		. PLACARD-ELT 172S	10776 & ON 01 R

- ITEM NOT ILLUSTRATED

CESSNA AIRCRAFT COMPANY
MODEL 172 (SERIES 1996 AND ON)
ILLUSTRATED PARTS CATALOG

B3863



1

DETAIL A

ON BAGGAGE DOOR

0510T1007

GERMAN EXTERIOR PLACARDS AND MARKINGS - FUSELAGE
FIGURE 01 (SHEET 1)

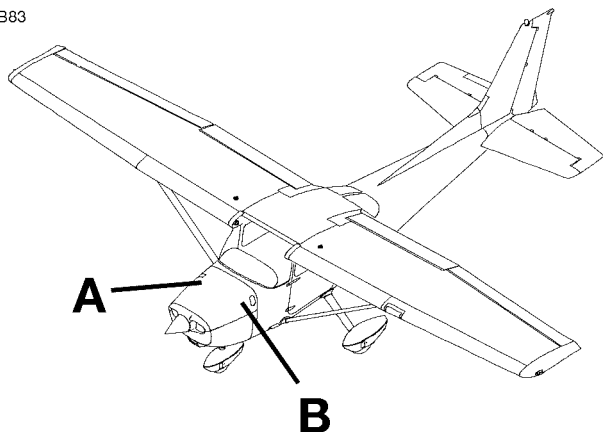
CESSNA AIRCRAFT COMPANY
MODEL 172 (SERIES 1996 AND ON)
 ILLUSTRATED PARTS CATALOG

FIG ITEM	PART NUMBER	1 2 3 4 5 6 7 NOMENCLATURE	UNITS PER ASSY
01		GERMAN EXTERIOR PLACARDS AND MARKINGS - FUSELAGE	RF R
-			
- 1	0505043-4	. PLACARD-BAGGAGE CAPACITY 172R	80172 & ON 01 R
- 2	0505043-4	. PLACARD-BAGGAGE CAPACITY 172S	08118 & ON 01 R

- ITEM NOT ILLUSTRATED

CESSNA AIRCRAFT COMPANY
MODEL 172 (SERIES 1996 AND ON)
 ILLUSTRATED PARTS CATALOG

B83



Cessna ENGINE OIL	Cessna MOTORÖL
ALL TEMP. USE MULTIVISC. OR ABOVE 16°C (60°F): SAE 50 -1°C (30°F) TO 32°C (90°F) USE SAE 40 -18°C (0°F) TO 21°C (70°F) USE SAE 30 WHEN OPERATING TEMPERATURES OVERLAP, USE THE LIGHTER GRADE OIL. USE ONLY OIL THAT COMPLIES WITH APPLICABLE PILOT'S HANDBOOK.	ALLE TEMPERATUREN: MULTIVISC. ODER UBER 16°C (60°F): SAE 50 -1°C (30°F) BIS 32°C (90°F): SAE 40 -18°C (0°F) BIS 21°C (70°F): SAE 30 WENN DIE TEMPERATURBEREICHE SICH ÜBERSCHNEIDEN, DIE ÖLSORTE FÜR DEN NIEDRIGEREN TEMPERATURBEREICH VERWENDEN.
	0505048-4

1
DETAIL A
 ON OIL DOOR

CAUTION THIS AIRCRAFT IS EQUIPPED WITH ALTERNATOR AND A NEGATIVE GROUND SYSTEM. OBSERVE PROPER POLARITY REVERSE POLARITY WILL DAMAGE ELECTRICAL COMPONENTS.	24 VOLTS DC
VORSICHT DIESES FLUGZEUG IST MIT EINEM GENERATOR. AUSGERÜSTET DER MINUSPOL LIEGT AM MASSE. AUF RICHTIGE POLARITÄT ACHTEN VERKEHRTE POLARITÄT WIRD ELEKTRISCHE KOMPONENTEN BESCHÄDIGEN.	24V DC
	1205024-3

2
DETAIL B

0510T1007

GERMAN EXTERIOR PLACARDS AND MARKINGS - COWLING
 FIGURE 01 (SHEET 1)

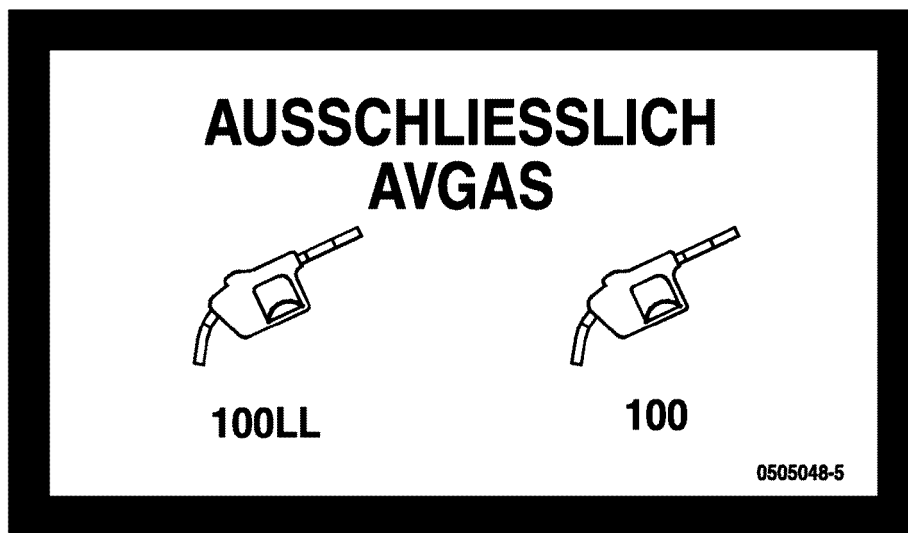
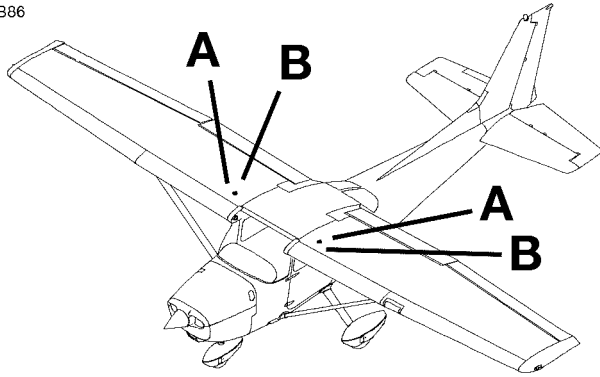
CESSNA AIRCRAFT COMPANY
MODEL 172 (SERIES 1996 AND ON)
 ILLUSTRATED PARTS CATALOG

FIG ITEM	PART NUMBER	1 2 3 4 5 6 7	NOMENCLATURE	UNITS PER ASSY		
01			GERMAN EXTERIOR PLACARDS AND MARKINGS - COWLING			RF
-						
- 1	0505048-4		. PLACARD-ENGINE OIL 172R	80172	& ON	01
- 1A	0505048-4		. PLACARD-ENGINE OIL 172S	08118	& ON	01
- 2	1205024-3		. PLACARD-BATTERY BOX 172R	80172	& ON	01
- 2A	1205024-3		. PLACARD-BATTERY BOX 172S	08118	11678	01 R
- 2B	S4355-1		. PLACARD-ELECTRICAL 172S	11679	& ON	01 R

- ITEM NOT ILLUSTRATED

CESSNA AIRCRAFT COMPANY
MODEL 172 (SERIES 1996 AND ON)
ILLUSTRATED PARTS CATALOG

B86



1
DETAIL A



2
DETAIL B

0510T1007

GERMAN EXTERIOR PLACARDS AND MARKINGS - WINGS
FIGURE 01 (SHEET 1)

CESSNA AIRCRAFT COMPANY
MODEL 172 (SERIES 1996 AND ON)
 ILLUSTRATED PARTS CATALOG

FIG ITEM	PART NUMBER	1 2 3 4 5 6 7	NOMENCLATURE	UNITS PER ASSY	
01			GERMAN EXTERIOR PLACARDS AND MARKINGS - WINGS		RF R
-					
- 1	0505048-5		. PLACARD-AVGAS 172R	80172	& ON 02 R
- 1A	0505048-5		. PLACARD-AVGAS 172S	08118	& ON 02 R
- 2	0505094-8		. PLACARD-FUEL CAPACITY 172R	80172	& ON 02 R
- 2A	0505094-8		. PLACARD-FUEL CAPACITY 172S	08118	& ON 02 R

- ITEM NOT ILLUSTRATED

CESSNA AIRCRAFT COMPANY
MODEL 172 (SERIES 1996 AND ON)
 ILLUSTRATED PARTS CATALOG

B89

Die in diesem Flugzeug angebrachten Markierungen und Hinweisschilder enthalten Betriebsgrenzen, die eingehalten werden müssen, wenn das Flugzeug in der Kategorie Normalflugzeug betrieben wird. Weitere Betriebsgrenzen, die beim Betrieb als Normal- oder Nutzflugzeug eingehalten werden müssen, sind dem vom LBA genehmigten Flughandbuch zu entnehmen.

Normalflugzeug Kunstflug einschließlich Trudeln verboten.

Nutzflugzeug Nur die im Flughandbuch genannten Manöver sind zulässig.
Gepäckraum und Rücksitz dürfen nicht belegt sein.

Ausleiten aus dem Trudeln Seitenruder gegen Drehrichtung ausschlagen, Höhenruder drücken,
Alle Ruder in Neutralstellung bringen.
Flüge in bekannten Vereisungsbedingungen verboten.

Dieses Flugzeug ist zum Zeitpunkt der Erstellung des ursprünglichen Lufttüchtigkeitszeugnisses für folgende Betriebsarten zugelassen:
TAG - NACHT - VFR - IFR 0505087-25

1
 ABOVE LH DOOR

MANÖVERGESCHWINDIGKEIT
90 KIAS (862 KG) 0505048-14

6
 ON INSTRUMENT PANEL

MANÖVERGESCHWINDIGKEIT
81 KIAS (726 KG)

5
 ON INSTRUMENT PANEL

Die in diesem Flugzeug angebrachten Markierungen und Hinweisschilder enthalten Betriebsgrenzen, die eingehalten werden müssen, wenn das Flugzeug in der Kategorie Normalflugzeug betrieben wird. Weitere Betriebsgrenzen, die beim Betrieb als Normal- oder Nutzflugzeug eingehalten werden müssen, sind dem vom LBA genehmigten Flughandbuch zu entnehmen.

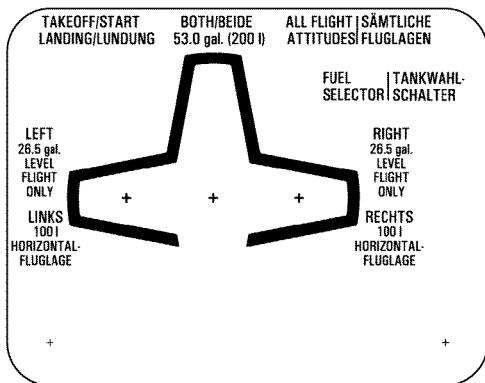
Normalflugzeug Kunstflug einschließlich Trudeln verboten.

Nutzflugzeug Nur die im Flughandbuch genannten Manöver sind zulässig.
Gepäckraum und Rücksitz dürfen nicht belegt sein.

Ausleiten aus dem Trudeln Seitenruder gegen Drehrichtung ausschlagen, Höhenruder drücken,
Alle Ruder in Neutralstellung bringen.
Flüge in bekannten Vereisungsbedingungen verboten.

Dieses Flugzeug ist zum Zeitpunkt der Erstellung des ursprünglichen Lufttüchtigkeitszeugnisses für folgende Betriebsarten zugelassen:
TAG - NACHT - VFR 0505087-26

2
 ABOVE LH DOOR



4
 ON CENTER CONSOLE

Die in diesem Flugzeug angebrachten Markierungen und Hinweisschilder enthalten Betriebsgrenzen, die eingehalten werden müssen, wenn das Flugzeug in der Kategorie Normalflugzeug betrieben wird. Weitere Betriebsgrenzen, die beim Betrieb als Normal- oder Nutzflugzeug eingehalten werden müssen, sind dem vom LBA genehmigten Flughandbuch zu entnehmen.

Normalflugzeug Kunstflug einschließlich Trudeln verboten.

Nutzflugzeug Nur die im Flughandbuch genannten Manöver sind zulässig.
Gepäckraum und Rücksitz dürfen nicht belegt sein.

Ausleiten aus dem Trudeln Seitenruder gegen Drehrichtung ausschlagen, Höhenruder drücken,
Alle Ruder in Neutralstellung bringen.
Flüge in bekannten Vereisungsbedingungen verboten.

Dieses Flugzeug ist zum Zeitpunkt der Erstellung des ursprünglichen Lufttüchtigkeitszeugnisses für folgende Betriebsarten zugelassen:
TAG - VFR 0505087-27

3
 ABOVE LH DOOR

GERMAN INTERIOR PLACARDS AND MARKINGS - FLIGHT COMPARTMENT
 FIGURE 01 (SHEET 1)

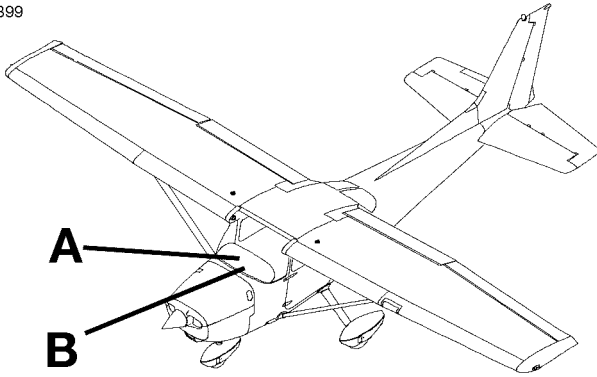
CESSNA AIRCRAFT COMPANY
MODEL 172 (SERIES 1996 AND ON)
 ILLUSTRATED PARTS CATALOG

FIG ITEM	PART NUMBER	NOMENCLATURE	UNITS PER ASSY	
			1 2 3 4 5 6 7	
01		GERMAN INTERIOR PLACARDS AND MARKINGS - FLIGHT COMPARTMENT		RF R
-				
1	0505087-25	. PLACARD-OPERATING LIMITS DAY NIGHT VFR IFR 172	80172	& ON 01 R
- 1A	0505087-25	. PLACARD-OPERATING LIMITS DAY NIGHT VFR IFR 172S	08118	& ON 01 R
2	0505087-26	. PLACARD-OPERATING LIMITS DAY NIGHT VFR 172	80172	& ON 01 R
- 2A	0505087-26	. PLACARD-OPERATING LIMITS DAY NIGHT VFR 172S	08118	& ON 01 R
3	0505087-27	. PLACARD-OPERATING LIMITS DAY VFR 172	80172	& ON 01 R
- 3A	0505087-27	. PLACARD-OPERATING LIMITS DAY VFR 172S	08118	& ON 01 R
4	0505095-11	. PLACARD-FUEL SELECTOR 172	80172	& ON 01 R
- 4A	0505095-11	. PLACARD-FUEL SELECTOR 172S	08118	& ON 01 R
5	0505048-2	. PLACARD-MANEUVERING SPEED NAV III 172	80172	& ON 01 R
6	0505048-14	. PLACARD-MANEUVERING SPEED NAV III 172S	08118	& ON 01 R

- ITEM NOT ILLUSTRATED

CESSNA AIRCRAFT COMPANY
MODEL 172 (SERIES 1996 AND ON)
ILLUSTRATED PARTS CATALOG

B99



SEITENGLEITFLUG MIT
AUSGEFAHRENE KLAPPEN
VERMEIDEN

76
DETAIL B

WARNUNG
STELLEN SIE SICHER, DASS ALLE VERUNREINIGUNGEN EINSCHLISSLICH WASSER AUS DEM KRAFTSTOFF UND DEM KRAFTSTOFFSYSTEM VOR DEM FLUG ENTFERNT WURDEN. VERUNREINIGUNGEN IM KRAFTSTOFF UND EIN NICHTBEACHTEN DER SICHERHEITANWEISUNGEN UND BETRIEBSANWEISUNGEN VOR DEM FLUG KANN ZU KÖRPERLICHER GEFAHR ODER ZUM TOD FÜHREN.

WARNUNG
STELLEN SIE SICHER, DASS DER SITZ VOR DEM ROLLEN, DEM START UND DER LANDING IN SEINER LAGE VERRIEGELT IST. EIN NICHTBEACHTEN DER SICHERHEITANWEISUNGEN UND DES SITZVERRIEGELNS KANN ZU KÖRPERLICHER GEFAHR ODER ZUM TOD FÜHREN.

WARNUNG
PITOTHEIZUNG MUSS AN SEIN, WENN FLUGZEUG IN IMC UNTER 4°C BETRIEBEN WIRD

AUSRÜSTUNG FÜR DEN WINTERBETRIEB ENTFERNEN, WENN DIE AUßENTEMPERATUR -6°C ÜBERSTEIGT
0505048-1

75
DETAIL A

0510T1007

GERMAN INTERIOR PLACARDS AND MARKINGS - FLIGHT COMPARTMENT
FIGURE 01 (SHEET 2)

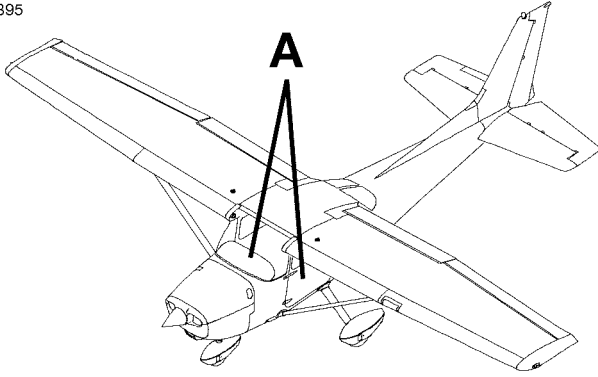
CESSNA AIRCRAFT COMPANY
MODEL 172 (SERIES 1996 AND ON)
 ILLUSTRATED PARTS CATALOG

FIG ITEM	PART NUMBER	1 2 3 4 5 6 7	NOMENCLATURE	UNITS PER ASSY		
01						
75	0505048-1		. PLACARD-WARNINGS 172R	80172	& ON	01 R
- 75A	0505048-1		. PLACARD-WARNINGS 172S	08118	& ON	01 R
76	0505048-3		. PLACARD-FLAPS 172R	80172	& ON	01 R
- 76A	0505048-3		. PLACARD-FLAPS 172S	08118	& ON	01 R

- ITEM NOT ILLUSTRATED

CESSNA AIRCRAFT COMPANY
MODEL 172 (SERIES 1996 AND ON)
ILLUSTRATED PARTS CATALOG

B95



SITZ NICHT NACH HINTEN GERICHTET EINBAUEN
DIESER SITZ IST NUR FÜR
VORWÄRTSEINBAU ZUGELASSEN.

0705097-3

1
DETAIL A
ON SEAT FRAME

0510T1007

GERMAN INTERIOR PLACARDS AND MARKINGS - SEATS
FIGURE 02 (SHEET 1)

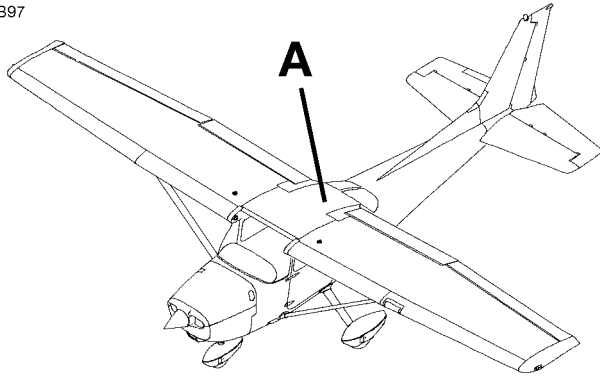
CESSNA AIRCRAFT COMPANY
MODEL 172 (SERIES 1996 AND ON)
 ILLUSTRATED PARTS CATALOG

FIG ITEM	PART NUMBER	1 2 3 4 5 6 7	NOMENCLATURE	UNITS PER ASSY	
02			GERMAN INTERIOR PLACARDS AND MARKINGS - SEATS		RF R
-					
1	0705097-3		. PLACARD-SEAT FWD ONLY 172	80172	& ON 02 R
- 1A	0705097-3		. PLACARD-SEAT FWD ONLY 172S	08118	& ON 02 R

- ITEM NOT ILLUSTRATED

CESSNA AIRCRAFT COMPANY
MODEL 172 (SERIES 1996 AND ON)
ILLUSTRATED PARTS CATALOG

B97



**ELT BEFINDET SICH
HINTER DIESEM ABSCHNITT
ER MUß ENTSPRECHEND DEN
GÜLTIGEN VORSCHRIFTEN
GEWARTET WERDEN**

1205085-5

1

DETAIL A

ON ACCESS PANEL IN
BAGGAGE COMPARTMENT

0510T1007

GERMAN INTERIOR PLACARDS AND MARKINGS - CABIN
FIGURE 01 (SHEET 1)

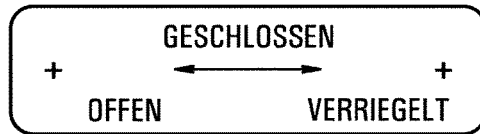
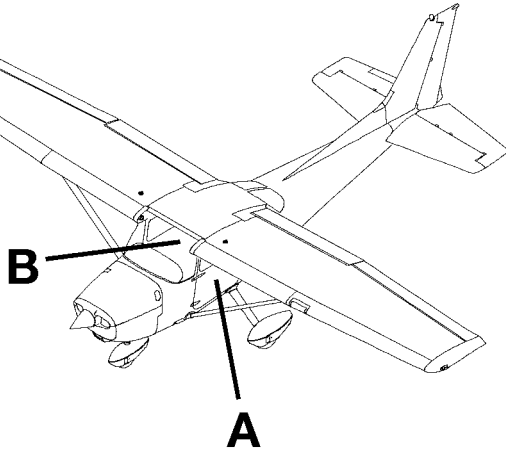
CESSNA AIRCRAFT COMPANY
MODEL 172 (SERIES 1996 AND ON)
 ILLUSTRATED PARTS CATALOG

FIG ITEM	PART NUMBER	1 2 3 4 5 6 7	NOMENCLATURE	UNITS PER ASSY	
01			GERMAN INTERIOR PLACARDS AND MARKINGS - CABIN		RF R
-					
- 1	1205085-5		. PLACARD-ELT 172	80172	& ON 01 R
- 1A	1205085-5		. PLACARD-ELT 172S	08118	& ON 01 R

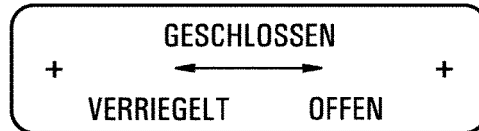
- ITEM NOT ILLUSTRATED

CESSNA AIRCRAFT COMPANY
MODEL 172 (SERIES 1996 AND ON)
ILLUSTRATED PARTS CATALOG

B94



1
DETAIL A



2
DETAIL B

0510T1007

GERMAN INTERIOR PLACARDS AND MARKINGS - CABIN DOORS
FIGURE 01 (SHEET 1)

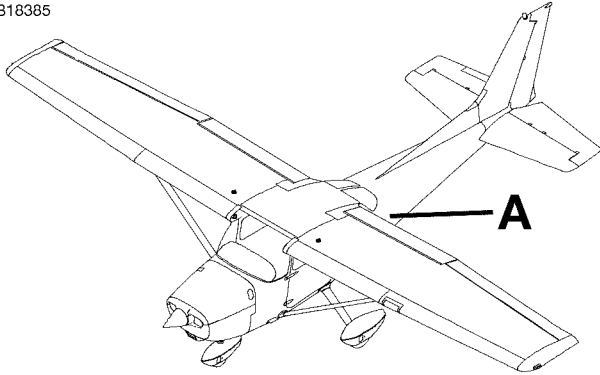
CESSNA AIRCRAFT COMPANY
MODEL 172 (SERIES 1996 AND ON)
 ILLUSTRATED PARTS CATALOG

FIG ITEM	PART NUMBER	1 2 3 4 5 6 7	NOMENCLATURE	UNITS PER ASSY		
01			GERMAN INTERIOR PLACARDS AND MARKINGS - CABIN DOORS			RF R
-						
- 1	0705042-13		. PLACARD-LH DOOR OPEN CLOSE LOCK 172R	80172	& ON	01 R
- 1A	0705042-13		. PLACARD-LH DOOR OPEN CLOSE LOCK 172S	08118	& ON	01 R
- 2	0705042-14		. PLACARD-RH DOOR OPEN CLOSE LOCK 172R	80172	& ON	01 R
- 2A	0705042-14		. PLACARD-RH DOOR OPEN CLOSE LOCK 172S	08118	& ON	01 R

- ITEM NOT ILLUSTRATED

CESSNA AIRCRAFT COMPANY
MODEL 172 (SERIES 1996 AND ON)
ILLUSTRATED PARTS CATALOG

B18385



<p>54 KG MÁXIMO EQUIPAJE ADELANTE DE LA TRABA DE LA PUERTA DE EQUIPAJE</p> <p>22 KG MÁXIMO EQUIPAJE POSTERIOR A LA TRABA DE LA PUERTA DE EQUIPAJE</p> <p>MÁXIMO: 54 KG COMBINADOS PARA INSTRUCCIONES ADICIONALES DE CARGA VER DATOS DE PESO Y BALANCEO</p> <p>S4191-1</p>
--

1

DETAIL A
ON BAGGAGE DOOR

0510T1007

SPANISH EXTERIOR PLACARDS AND MARKINGS-FUSELAGE
FIGURE 01 (SHEET 1)

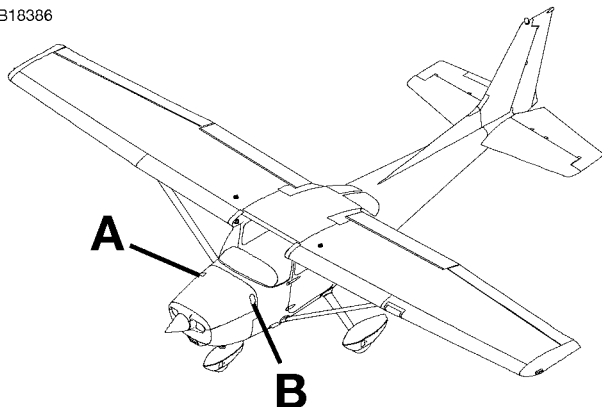
CESSNA AIRCRAFT COMPANY
MODEL 172 (SERIES 1996 AND ON)
 ILLUSTRATED PARTS CATALOG

FIG ITEM	PART NUMBER	1 2 3 4 5 6 7	NOMENCLATURE	UNITS PER ASSY
01				
-			SPANISH EXTERIOR PLACARDS AND MARKINGS-FUSELAGE	RF R
1	S4191-1		. PLACARD-BAGGAGE CAPACITY	81602 & ON 01 R

- ITEM NOT ILLUSTRATED

CESSNA AIRCRAFT COMPANY
MODEL 172 (SERIES 1996 AND ON)
 ILLUSTRATED PARTS CATALOG

B18386



Cessna	ENGINE OIL
ALL TEMP. USE MULTIVISC. OR ABOVE 16°C (60°F): SAE 50	TODA TEMPERATURA UTILICE VISCOSIDAD MULTIPLE 0
-1°C (30°F) TO 32°C (90°F): SAE 40	A MAYOR DE 16°C (60°F): SAE 50
-18°C (0°F) TO 21°C (70°F): SAE 30	-1°C (30°F) HASTA 32°C (90°F): SAE 40
WHEN OPERATING TEMPERATURES OVERLAP, USE THE LIGHTER GRADE OIL. USE ONLY OIL THAT COMPLIES WITH APPLICABLE PILOT'S HANDBOOK.	-18°C (0°F) HASTA 21°C (70°F): SAE 30
	CUANDO TEMPERATURAS DE OPERACION SE SOBREPONEN, UTILICE EL ACEITE DE MENOR GRADO UTILICE SOLAMENTE ACEITE QUE CUMPLA CON EL MANUAL DE OPERACION DEL PILOTO APROBADO.
	0505048-10

1

DETAIL A
ON OIL DOOR

ADVERTENCIA	24 VOLTIOS C.C.
ESTA AERONAVE ESTÁ EQUIPADA CON ALTERNADOR Y UN SISTEMA DE CONEXION A MASA NEGATIVO	
RESPECTAR LA POLARIDAD APROPIADA	
LA POLARIDAD INVERSA DAÑARÁ LOS COMPONENTES ELÉCTRICOS	
CAUTION	24 VOLTS D.C.
THIS AIRCRAFT IS EQUIPPED WITH ALTERNATOR AND A NEGATIVE GROUND SYSTEM	
OBSERVE PROPER POLARITY	
REVERSE POLARITY WILL DAMAGE ELECTRICAL COMPONENTS	
	S4193-2

2

DETAIL B

0510T1007

SPANISH EXTERIOR PLACARDS AND MARKINGS-COWLING
 FIGURE 01 (SHEET 1)

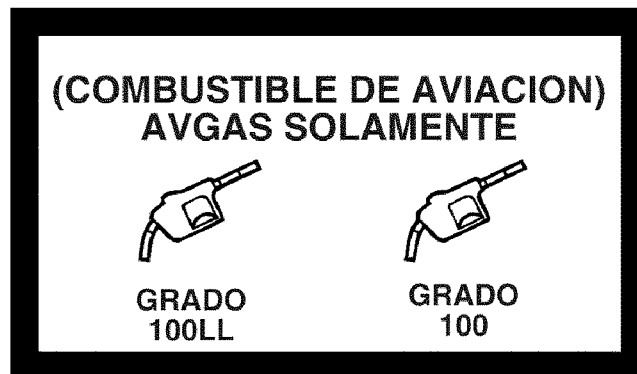
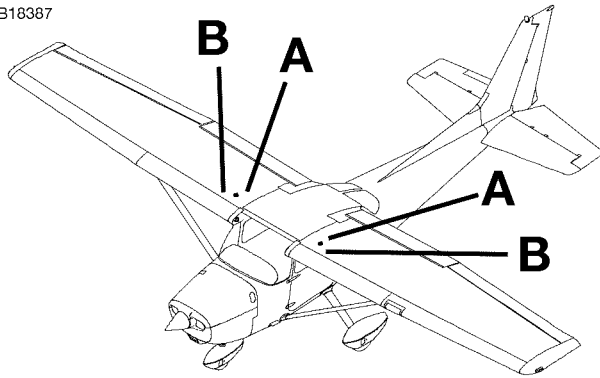
CESSNA AIRCRAFT COMPANY
MODEL 172 (SERIES 1996 AND ON)
 ILLUSTRATED PARTS CATALOG

FIG ITEM	PART NUMBER	1 2 3 4 5 6 7	NOMENCLATURE	UNITS PER ASSY
01				
-			SPANISH EXTERIOR PLACARDS AND MARKINGS-COWLING	RF R
1	0505048-10		. PLACARD-ENGINE OIL 172.....	81602 & ON 01 R
2	S4193-2		. PLACARD-BATTERY 172	81602 & ON 01 R

- ITEM NOT ILLUSTRATED

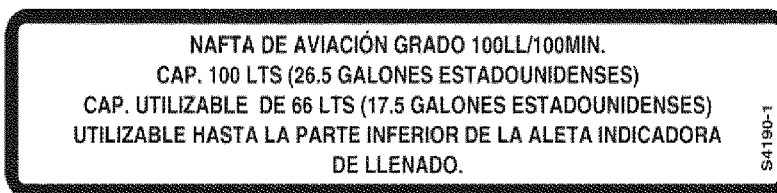
CESSNA AIRCRAFT COMPANY
MODEL 172 (SERIES 1996 AND ON)
ILLUSTRATED PARTS CATALOG

B18387



1

DETAIL A



2

DETAIL B

0510T1007

SPANISH EXTERIOR PLACARDS AND MARKINGS-WINGS
FIGURE 01 (SHEET 1)

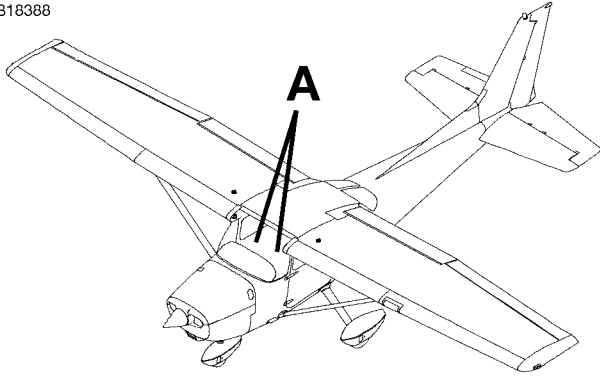
CESSNA AIRCRAFT COMPANY
MODEL 172 (SERIES 1996 AND ON)
 ILLUSTRATED PARTS CATALOG

FIG ITEM	PART NUMBER	NOMENCLATURE	UNITS PER ASSY	
			1 2 3 4 5 6 7	
01		SPANISH EXTERIOR PLACARDS AND MARKINGS-WINGS		RF R
-				
1	0505048-9	. PLACARD-AVGAS	81602	& ON 02 R
2	S4190-1	. PLACARD-FUEL CAPACITY	81602	& ON 02 R

- ITEM NOT ILLUSTRATED

CESSNA AIRCRAFT COMPANY
MODEL 172 (SERIES 1996 AND ON)
ILLUSTRATED PARTS CATALOG

B18388



NO INSTALAR ASIENTO
MIRANDO HACIA ATRAS
ESTE ASIENTO ESTA CERTIFICADO PARA
MIRAR HACIA ADELANTE SOLAMENTE

0705097-5

1

DETAIL A
ON SEAT FRAME

0510T1007

SPANISH INTERIOR PLACARDS AND MARKINGS-SEATS
FIGURE 01 (SHEET 1)

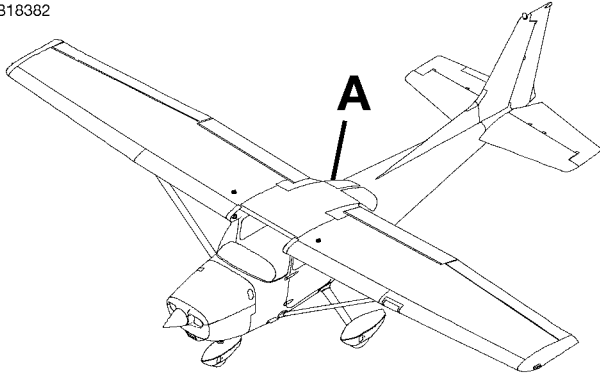
CESSNA AIRCRAFT COMPANY
MODEL 172 (SERIES 1996 AND ON)
 ILLUSTRATED PARTS CATALOG

FIG ITEM	PART NUMBER	1 2 3 4 5 6 7	NOMENCLATURE	UNITS PER ASSY
01			SPANISH INTERIOR PLACARDS AND MARKINGS-SEATS	RF R
-			. PLACARD-FWD SEAT ONLY	81602 & ON 02 R
1	0705097-5			

- ITEM NOT ILLUSTRATED

CESSNA AIRCRAFT COMPANY
MODEL 172 (SERIES 1996 AND ON)
ILLUSTRATED PARTS CATALOG

B18382



**TRANSMISOR LOCALIZADOR DE
EMERGENCIA
INSTALADO EN LA PARTE POSTERIOR DE
ESTE TABIQUE SERVICE EN CONFORMIDAD
CON RAAC 91.207**

S4297-1

1

DETAIL A

ON ACCESS PANEL IN
BAGGAGE COMPARTMENT

0510T1007

SPANISH INTERIOR PLACARDS AND MARKINGS-CABIN
FIGURE 01 (SHEET 1)

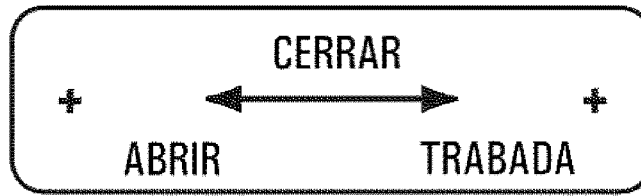
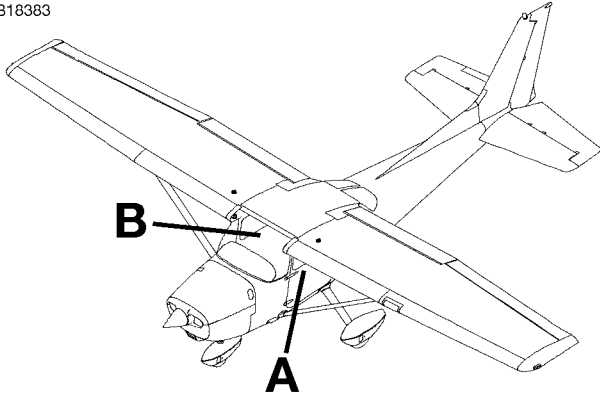
CESSNA AIRCRAFT COMPANY
MODEL 172 (SERIES 1996 AND ON)
 ILLUSTRATED PARTS CATALOG

FIG ITEM	PART NUMBER	1 2 3 4 5 6 7	NOMENCLATURE	UNITS PER ASSY
01				
-			SPANISH INTERIOR PLACARDS AND MARKINGS-CABIN	RF R
1	S4297-1		. PLACARD-ELT 172	81602 & ON 01 R

- ITEM NOT ILLUSTRATED

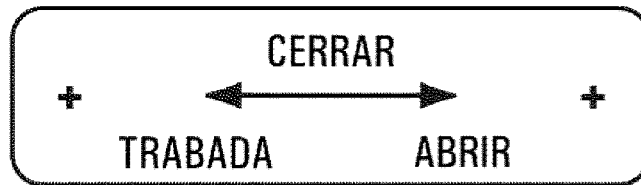
CESSNA AIRCRAFT COMPANY
MODEL 172 (SERIES 1996 AND ON)
ILLUSTRATED PARTS CATALOG

B18383



1

DETAIL A



2

DETAIL B

0510T1007

SPANISH INTERIOR PLACARDS AND MARKINGS-CABIN DOORS
FIGURE 01 (SHEET 1)

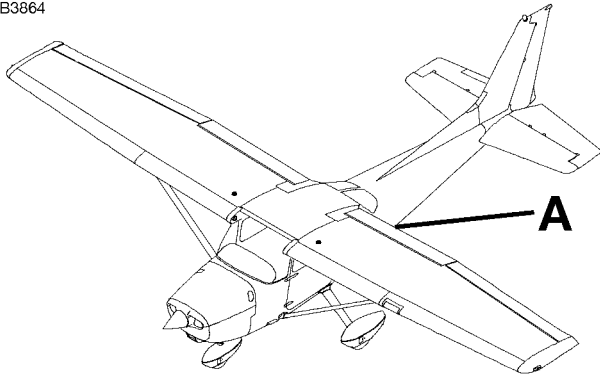
CESSNA AIRCRAFT COMPANY
MODEL 172 (SERIES 1996 AND ON)
 ILLUSTRATED PARTS CATALOG

FIG ITEM	PART NUMBER	1 2 3 4 5 6 7	NOMENCLATURE	UNITS PER ASSY
01			SPANISH INTERIOR PLACARDS AND MARKINGS-CABIN DOORS	
-				
1	0705042-17		. PLACARD-LH DOOR OPEN CLOSE LOCK	81602 & ON 01 R
2	0705042-18		. PLACARD-RH DOOR OPEN CLOSE LOCK	81602 & ON 01 R
			ATTACHING PARTS	
- 3	S1022A4-6J		. SCREW	04 R
			—*—	

- ITEM NOT ILLUSTRATED

CESSNA AIRCRAFT COMPANY
MODEL 172 (SERIES 1996 AND ON)
ILLUSTRATED PARTS CATALOG

B3864



**CAPACITE MAXIMALE DE BAGAGES: 54kg
EN AVANT DE LA PORTE DE SOUTE A BAGAGE
CAPACITE MAXIMALE DE BAGAGE: 22kg
EN ARRIERE DE LA PORTE DE SOUTE A BAGAGE
CAPACITE MAXIMALE: 54kg COMBINE
POUR PLUS DE DETAILS SUR LES CONSIGNES
DE CHARGEMENT SE REPORTER AUX DONNEES
DE MASSE ET DE CENTRAGE**

0505043-6

1

DETAIL A
ON BAGGAGE DOOR

0510T1007

FRENCH EXTERIOR PLACARDS AND MARKINGS - FUSELAGE
FIGURE 01 (SHEET 1)

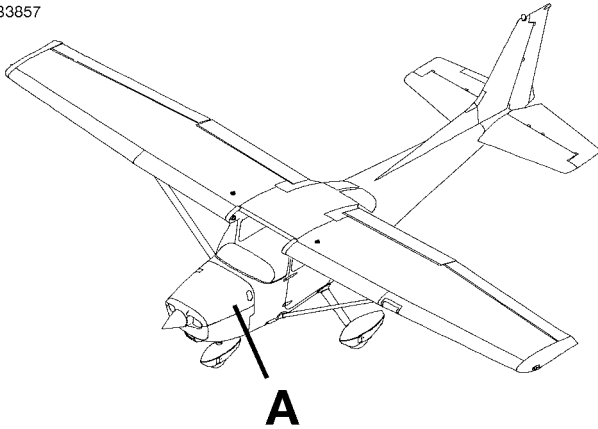
CESSNA AIRCRAFT COMPANY
MODEL 172 (SERIES 1996 AND ON)
 ILLUSTRATED PARTS CATALOG

FIG ITEM	PART NUMBER	1 2 3 4 5 6 7 NOMENCLATURE	UNITS PER ASSY
01		FRENCH EXTERIOR PLACARDS AND MARKINGS - FUSELAGE	RF R
-			
- 1	0505043-6	. PLACARD-BAGGAGE CAPACITY 172R	80700 & ON 01 R
- 2	0505043-6	. PLACARD-BAGGAGE CAPACITY 172S	08150 & ON 01 R

- ITEM NOT ILLUSTRATED

CESSNA AIRCRAFT COMPANY
MODEL 172 (SERIES 1996 AND ON)
ILLUSTRATED PARTS CATALOG

B3857



ATTENTION	24 VOLTS cc
CET AVION EST ÉQUIPÉ D'UN ALTERNATEUR ET D'UN CIRCUIT ÉLECTRIQUE AVEC NÉGATIF À LA MASSE.	
RESPECTER LA POLARITE CORRECTE.	
UNE INVERSION DE POLARITÉ PROVOQUERA LA DÉTÉRIORATION DES ÉQUIPEMENTS ÉLECTRIQUES.	

CAUTION	24 VOLTS DC
THIS AIRCRAFT IS EQUIPPED WITH ALTERNATOR AND A NEGATIVE GROUND SYSTEM.	
OBSERVE PROPER POLARITY	
REVERSE POLARITY WILL DAMAGE ELECTRICAL COMPONENTS.	
	1205024-5

1
DETAIL A

0510T1007

FRENCH EXTERIOR PLACARDS AND MARKINGS - COWLING
FIGURE 01 (SHEET 1)

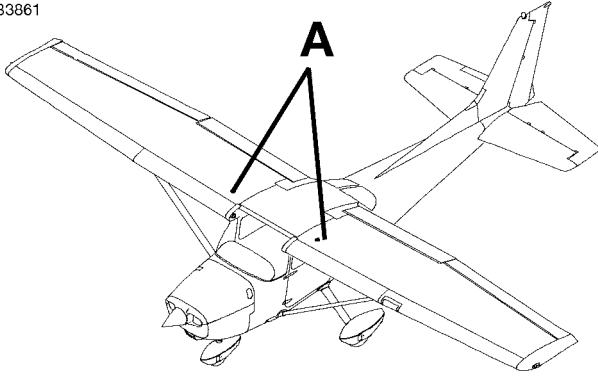
CESSNA AIRCRAFT COMPANY
MODEL 172 (SERIES 1996 AND ON)
 ILLUSTRATED PARTS CATALOG

FIG ITEM	PART NUMBER	1 2 3 4 5 6 7	NOMENCLATURE	UNITS PER ASSY
01			FRENCH EXTERIOR PLACARDS AND MARKINGS - COWLING	
-				RF
- 1	1205024-5		. PLACARD-BATTERY BOX 172R	80700 & ON 01 R
- 2	1205024-5		. PLACARD-BATTERY BOX 172S	08150 11678 01 R
- 2A	S4357-1		. PLACARD-ELECTRICAL 172S	11679 & ON 01 R

- ITEM NOT ILLUSTRATED

CESSNA AIRCRAFT COMPANY
MODEL 172 (SERIES 1996 AND ON)
ILLUSTRATED PARTS CATALOG

B3861



CARBURANT
ESSENCE AVIATION A INDICE D'OCTANE 100 LL / 100 MINIMUM
CAPACITE: 100 I UTILISABLE
CAPACITÉ: 66 I JUSQU'A LA BASE DU COL DE REMPLISSAGE

0505094-10

1
DETAIL A

0510T1007

FRENCH EXTERIOR PLACARDS AND MARKINGS - WINGS
FIGURE 01 (SHEET 1)

CESSNA AIRCRAFT COMPANY
MODEL 172 (SERIES 1996 AND ON)
 ILLUSTRATED PARTS CATALOG

FIG ITEM	PART NUMBER	1 2 3 4 5 6 7	NOMENCLATURE	UNITS PER ASSY	
01			FRENCH EXTERIOR PLACARDS AND MARKINGS - WINGS		RF R
-					
- 1	0505094-10		. PLACARD-FUEL CAPACITY 172R	80700 & ON	02 R
- 2	0505094-10		. PLACARD-FUEL CAPACITY 172S	08150 & ON	02 R

- ITEM NOT ILLUSTRATED

CESSNA AIRCRAFT COMPANY
MODEL 172 (SERIES 1996 AND ON)
 ILLUSTRATED PARTS CATALOG

B92

Cet avion est équipé de repères et de plaquettes précisant les limites d'emploi qui doivent être respectées au cours de l'utilisation de l'appareil en catégorie normale. D'autres limites d'emploi, devant être respectées lorsque l'avion est utilisé dans cette catégorie ou dans la catégorie utilitaire, sont contenues dans le Manuel de vol de l'avion approuvé par les services officiels.

Catégorie normale	Aucune manoeuvre acrobatique, y compris les vrilles, n'est autorisée.
Catégorie utilitaire	Aucune manoeuvre acrobatique n'est autorisée sauf celles listées dans le Manuel de vol. Le compartiment bagages et les places arrières ne doivent pas être occupés.
Sortie de vrille	Direction opposée au sens de la vrille - profondeur avant - mettre les commandes au neutre.

Le vol en conditions de givrage connues est interdit.
 Cet avion est certifié pour être utilisé dans les conditions de vol suivantes à compter de la date de délivrance du certificat de navigabilité original.
 JOUR - NUIT - VFR - IFR 0505087-31

1

ABOVE LH DOOR

VITESSE INDIQUEE DE
 MANOEUVRE - 99 KIAS

5

ON INSTRUMENT PANEL

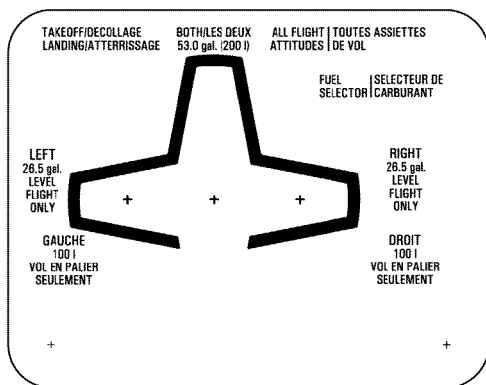
Cet avion est équipé de repères et de plaquettes précisant les limites d'emploi qui doivent être respectées au cours de l'utilisation de l'appareil en catégorie normale. D'autres limites d'emploi, devant être respectées lorsque l'avion est utilisé dans cette catégorie ou dans la catégorie utilitaire, sont contenues dans le Manuel de vol de l'avion approuvé par les services officiels.

Catégorie normale	Aucune manoeuvre acrobatique, y compris les vrilles, n'est autorisée.
Catégorie utilitaire	Aucune manoeuvre acrobatique n'est autorisée sauf celles listées dans le Manuel de vol. Le compartiment bagages et les places arrières ne doivent pas être occupés.
Sortie de vrille	Direction opposée au sens de la vrille - profondeur avant - mettre les commandes au neutre.

Le vol en conditions de givrage connues est interdit.
 Cet avion est certifié pour être utilisé dans les conditions de vol suivantes à compter de la date de délivrance du certificat de navigabilité original.
 JOUR - NUIT - VFR 0505087-32

2

ABOVE LH DOOR



4

ON CENTER CONSOLE

Cet avion est équipé de repères et de plaquettes précisant les limites d'emploi qui doivent être respectées au cours de l'utilisation de l'appareil en catégorie normale. D'autres limites d'emploi, devant être respectées lorsque l'avion est utilisé dans cette catégorie ou dans la catégorie utilitaire, sont contenues dans le Manuel de vol de l'avion approuvé par les services officiels.

Catégorie normale	Aucune manoeuvre acrobatique, y compris les vrilles, n'est autorisée.
Catégorie utilitaire	Aucune manoeuvre acrobatique n'est autorisée sauf celles listées dans le Manuel de vol. Le compartiment bagages et les places arrières ne doivent pas être occupés.
Sortie de vrille	Direction opposée au sens de la vrille - profondeur avant - mettre les commandes au neutre.

Le vol en conditions de givrage connues est interdit.
 Cet avion est certifié pour être utilisé dans les conditions de vol suivantes à compter de la date de délivrance du certificat de navigabilité original.
 JOUR - VFR 0505087-33

3

ABOVE LH DOOR

FRENCH INTERIOR PLACARDS AND MARKINGS - FLIGHT COMPARTMENT
 FIGURE 01 (SHEET 1)

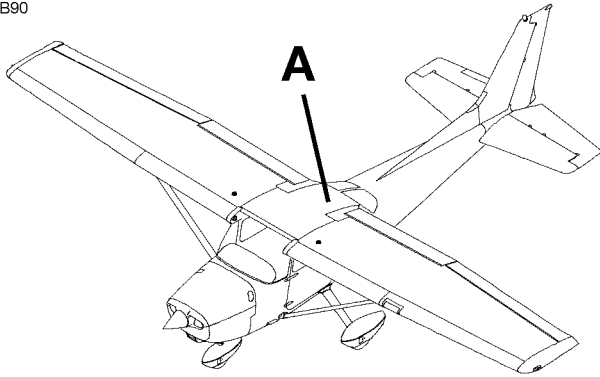
CESSNA AIRCRAFT COMPANY
MODEL 172 (SERIES 1996 AND ON)
 ILLUSTRATED PARTS CATALOG

FIG ITEM	PART NUMBER	NOMENCLATURE	UNITS PER ASSY	
			1 2 3 4 5 6 7	
01		FRENCH INTERIOR PLACARDS AND MARKINGS - FLIGHT COMPARTMENT		RF
-				
1	0505087-31	. PLACARD-OPERATION LIMITS DAY NIGHT VFR IFR 172	80700	& ON 01
- 1A	0505087-31	. PLACARD-OPERATION LIMITS DAY NIGHT VFR IFR 172S	08150	& ON 01
2	0505087-32	. PLACARD-OPERATION LIMITS DAY NIGHT VFR 172	80700	& ON 01
- 2A	0505087-32	. PLACARD-OPERATION LIMITS DAY NIGHT VFR 172S	08150	& ON 01
3	0505087-33	. PLACARD-OPERATION LIMITS DAY VFR 172	80700	& ON 01
- 3A	0505087-33	. PLACARD-OPERATION LIMITS DAY VFR 172S	08150	& ON 01
4	0505095-13	. PLACARD-FUEL SELECTOR 172	80787	& ON 01
- 4A	0505095-13	. PLACARD-FUEL SELECTOR 172S	08277	& ON 01
- 4B	0505095-12	. PLACARD-FUEL SELECTOR 172 FSO 0505095-13	80700	80786 NP R
- 4C	0505095-12	. PLACARD-FUEL SELECTOR 172S FSO 0505095-13	08150	08276 NP R
5	0505048-8	. PLACARD-MANEUVERING SPEED 172	80700	& ON 01 R
- 5A	0505048-8	. PLACARD-MANEUVERING SPEED 172 NAV III	81330	& ON 01 R

- ITEM NOT ILLUSTRATED

CESSNA AIRCRAFT COMPANY
MODEL 172 (SERIES 1996 AND ON)
ILLUSTRATED PARTS CATALOG

B90



**BALISE DE DETRESSE INSTALLEE
A L'ARRIERE DE CETTE CLOISON
DOIT ETRE ENTRETEENUE
CONFORMEMENT A LA FAR
PART 91.207.** 1205085-7

1

DETAIL A

ON ACCESS PANEL IN
BAGGAGE COMPARTMENT

**BALISE DE DETRESSE INSTALLEE
A L'ARRIERE DE CETTE CLOISON
DOIT ETRE ENTRETEENUE
CONFORMEMENT A LA
14 CFR 91.207.** 1205085-12

2

DETAIL A

ON ACCESS PANEL IN
BAGGAGE COMPARTMENT

0510T1007

FRENCH INTERIOR PLACARDS AND MARKINGS - CABIN
FIGURE 01 (SHEET 1)

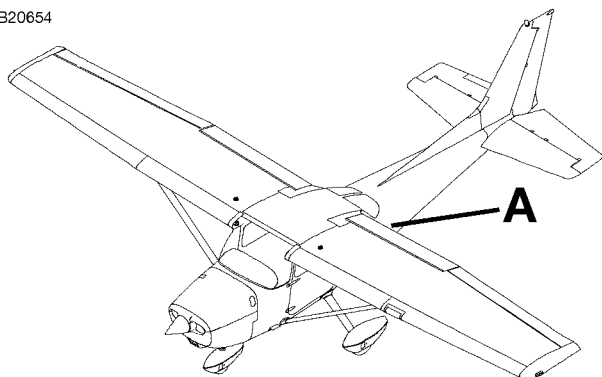
CESSNA AIRCRAFT COMPANY
MODEL 172 (SERIES 1996 AND ON)
 ILLUSTRATED PARTS CATALOG

FIG ITEM	PART NUMBER	NOMENCLATURE	UNITS PER ASSY		
			1	2	3
01					
-		FRENCH INTERIOR PLACARDS AND MARKINGS - CABIN			RF
- 1	1205085-7	. PLACARD-ELT 172 FSO 1205085-12	80700	81514	NP R
- 1A	1205085-7	. PLACARD-ELT 172S FSO 1205085-12	08150	10707	NP R
- 2	1205085-12	. PLACARD-ELT 172	81515	& ON	01 R
- 2A	1205085-12	. PLACARD-ELT 172S	10708	& ON	01 R

- ITEM NOT ILLUSTRATED

CESSNA AIRCRAFT COMPANY
MODEL 172 (SERIES 1996 AND ON)
ILLUSTRATED PARTS CATALOG

B20654



荷物室ドア・ラッチ前方の最大荷物重量	: 120 ポンド
荷物室ドア・ラッチ後方の最大荷物重量	: 50 ポンド
組み合わせ最大重量	: 120 ポンド

詳細な荷物搭載要領は重量及び重心位置資料を参照。

172RSPHAUS-S11-9-JA

1
DETAIL A

0510T1007

JAPANESE EXTERIOR PLACARDS AND MARKINGS - FUSELAGE
FIGURE 01 (SHEET 1)

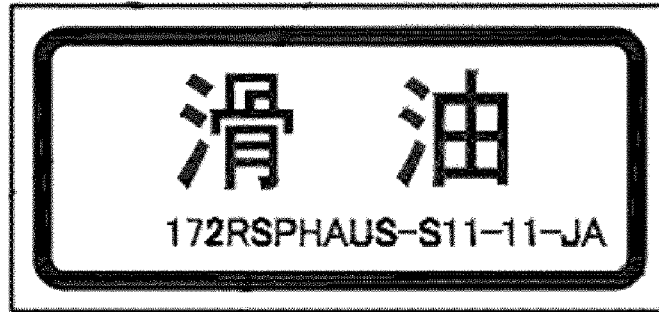
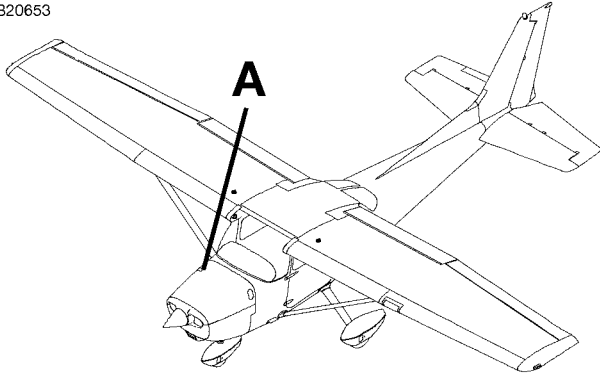
CESSNA AIRCRAFT COMPANY
MODEL 172 (SERIES 1996 AND ON)
 ILLUSTRATED PARTS CATALOG

FIG ITEM	PART NUMBER	1 2 3 4 5 6 7	NOMENCLATURE	UNITS PER ASSY		
01						
-			JAPANESE EXTERIOR PLACARDS AND MARKINGS - FUSELAGE	10629	& ON	RF R
1	S2800-1307		. PLACARD-BAGGAGE CAPACITY 172S			01 R

- ITEM NOT ILLUSTRATED

CESSNA AIRCRAFT COMPANY
MODEL 172 (SERIES 1996 AND ON)
ILLUSTRATED PARTS CATALOG

B20653



1
DETAIL A

0510T1007

JAPANESE EXTERIOR PLACARDS AND MARKINGS - COWLING
FIGURE 01 (SHEET 1)

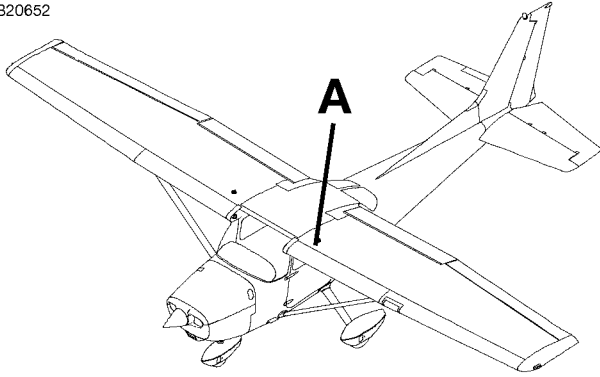
CESSNA AIRCRAFT COMPANY
MODEL 172 (SERIES 1996 AND ON)
 ILLUSTRATED PARTS CATALOG

FIG ITEM	PART NUMBER	1 2 3 4 5 6 7	NOMENCLATURE	UNITS PER ASSY
01				
-			JAPANESE EXTERIOR PLACARDS AND MARKINGS - COWLING	10629 & ON RF R
1	S2800-1309		. PLACARD-ENGINE OIL 172S	01 R

- ITEM NOT ILLUSTRATED

CESSNA AIRCRAFT COMPANY
MODEL 172 (SERIES 1996 AND ON)
ILLUSTRATED PARTS CATALOG

B20652



1
DETAIL A

0510T1007

JAPANESE EXTERIOR PLACARDS AND MARKINGS - WINGS
FIGURE 01 (SHEET 1)

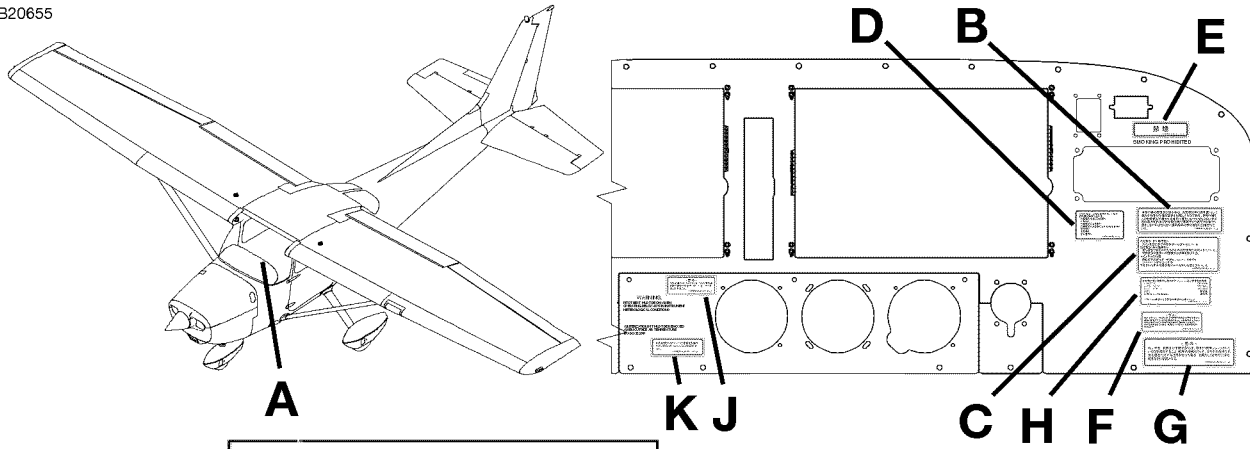
CESSNA AIRCRAFT COMPANY
MODEL 172 (SERIES 1996 AND ON)
 ILLUSTRATED PARTS CATALOG

FIG ITEM	PART NUMBER	1 2 3 4 5 6 7	NOMENCLATURE	UNITS PER ASSY		
01						
-			JAPANESE EXTERIOR PLACARDS AND MARKINGS - WINGS	10629	& ON	RF R
1	S2800-1308		. PLACARD-FUEL CAPACITY 172S			02 R

- ITEM NOT ILLUSTRATED

CESSNA AIRCRAFT COMPANY
MODEL 172 (SERIES 1996 AND ON)
 ILLUSTRATED PARTS CATALOG

B20655



外気温度が+20°F(+7°C)を超える場合、
 ウィンタライゼーション・キットを取外す
 こと。
 172RSPHAUS-S11-12-JA

9

DETAIL K

DETAIL A

本飛行機の標識及び指示板は、耐空類別飛行機普通Nとして
 運用する場合の運用限界を記載したものである。本飛行機を
 この耐空類別で運用する場合に適合しなければならない。その
 他の運用限界及び耐空類別飛行機用Uで運用する場合に
 適合しなければならない運用限界は飛行規程に記載されて
 いる。
 172RSPHAUS-S11-1-JA

1

DETAIL B

<警告>
 外気温度が40°F(4.4°C)以下の計器気象
 状態で運用する場合、ピトー・ヒーターを
 オンにすること。
 172RSPHAUS-S11-8-JA

8

DETAIL J

耐空類別飛行機用U運用時のマニュアル及び推奨開始速度*

シャンデル	105 Knots
レイジ---エイト	105 Knots
ステイプ---ターン	95 Knots
スピコン	緩減速
失速(ホイップ失速を除く)	緩減速

* 98 Knotsを超えての急な操縦操作は避けること。
 172RSPHAUS-S11-3-JA

7

DETAIL H

<警告>
 地上滑走、離陸及び着陸の前には、座席が確実にロックされて
 いるのを確認すること。座席の確実なラッチ、またその他の全ての
 安全通告に対する注意を怠った場合、負傷もしくは死亡に至る
 結果を招く原因となる。
 172RSPHAUS-S11-7-JA

6

DETAIL G

<警告>
 飛行の前には、水を含む全ての異物が燃料及び燃料系統から
 確実に除去されているのを確認すること。不純物の混入のない
 燃料の使用、またその他の安全通告や運航者への助言に
 対する注意を怠った場合、負傷もしくは死亡に至る結果を招く
 原因となる。
 172RSPHAUS-S11-9-JA

5

DETAIL F

耐空類別 飛行機普通N
 スピンを含む全ての曲技飛行は禁止されている。
 耐空類別 飛行機用U
 飛行規程で認められたもの以外の曲技飛行は禁止されている。
 荷物室及び後席への積載又は積棄を禁止する。
 スピンからの回復
 旋転方向の逆ラダーを踏む。エレベータを押す。
 コントロールを中立にする。
 予知された常気象状態における飛行は禁止されている。
 172RSPHAUS-S11-2-JA

2

DETAIL C

本飛行機は、必要な装備を備えた場合
 次の運用様式に運する。
 計器飛行方式による飛行
 計器飛行
 計器飛行による飛行
 計器飛行による飛行以外の有視界飛行
 夜間飛行
 昼間飛行
 高々度飛行
 172RSPHAUS-S11-1-JA

3

DETAIL D

禁煙
 172RSPHAUS-S11-5-JA

4

DETAIL E

JAPANESE EXTERIOR PLACARDS AND MARKINGS - FLIGHT COMPARTMENT
 FIGURE 01 (SHEET 1)

0510T1007
 A0501T158-1

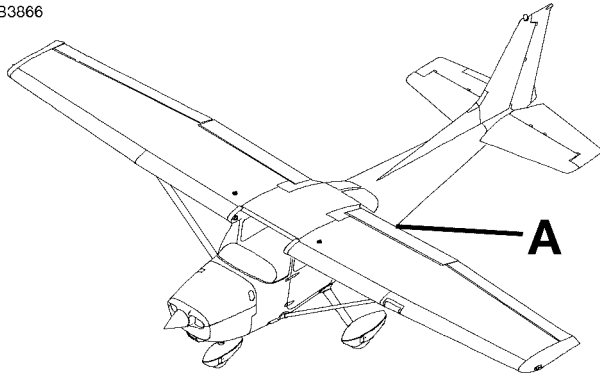
CESSNA AIRCRAFT COMPANY
MODEL 172 (SERIES 1996 AND ON)
 ILLUSTRATED PARTS CATALOG

FIG ITEM	PART NUMBER	1 2 3 4 5 6 7	NOMENCLATURE	UNITS PER ASSY		
				10629	& ON	RF R
01			JAPANESE EXTERIOR PLACARDS AND MARKINGS - FLIGHT COMPARTMENT			
-						
1	S2800-1300		. PLACARD			01 R
2	S2800-1301		. PLACARD			01 R
3	S2800-1302		. PLACARD-OPERATIONAL LIMITS 172S			01 R
4	S2800-1303		. PLACARD-SMOKING PROHIBITED 172S			01 R
5	S2800-1304		. PLACARD-WARNING 172S			01 R
6	S2800-1305		. PLACARD-WARNING 172S			01 R
7	S2800-1311		. PLACARD			01 R
8	S2800-1306		. PLACARD-WARNING 172S			01 R
9	S2800-1310		. PLACARD-WINTERIZATION KIT 172S			01 R

- ITEM NOT ILLUSTRATED

CESSNA AIRCRAFT COMPANY
MODEL 172 (SERIES 1996 AND ON)
ILLUSTRATED PARTS CATALOG

B3866



<p>54 KG MAXIMO EQUIPAJE ADELANTE DE LA TRABA DE LA PUERTO DE EQUIPAJE. 22 KG MAXIMO EQUIPAJE POSTERIOR A TRABA DE LA PUERTA DE EQUIPAJE. MAXIMO: 54 KG COMBINADOS PARA INSTRUCCIONES DE CARGA ADICIONALES, VER DATOS DE PESO Y BALENCEO.</p> <p>0505043-7</p>

1
DETAIL A
ON BAGGAGE DOOR

ARGENTINE EXTERIOR PLACARDS AND MARKINGS - FUSELAGE
FIGURE 01 (SHEET 1)

0510T1007

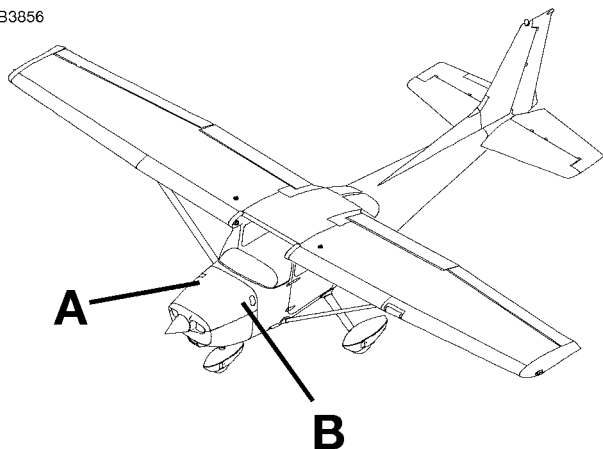
CESSNA AIRCRAFT COMPANY
MODEL 172 (SERIES 1996 AND ON)
 ILLUSTRATED PARTS CATALOG

FIG ITEM	PART NUMBER	1 2 3 4 5 6 7	NOMENCLATURE	UNITS PER ASSY		
01			ARGENTINE EXTERIOR PLACARDS AND MARKINGS - FUSELAGE			RF
-						
- 1	0505043-7		. PLACARD-BAGGAGE CAPACITY 172R FSO S4191-1	80845	81563	NP
- 1A	S4191-1		. PLACARD-BAGGAGE CAPACITY 172R	81564	& ON	01
- 1B	S4191-1		. PLACARD-BAGGAGE CAPACITY 172S	11028	& ON	01 R

- ITEM NOT ILLUSTRATED

CESSNA AIRCRAFT COMPANY
MODEL 172 (SERIES 1996 AND ON)
 ILLUSTRATED PARTS CATALOG

B3856



Cessna	ENGINE OIL
ALL TEMP. USE MULTIVISC. OR ABOVE 16°C (60°F) : SAE 50 -1°C (30°F) TO 32°C (90°F) : SAE 40 -18°C (0°F) TO 21°C (70°F) : SAE 30 WHEN OPERATING TEMPERATURES OVERLAP, USE THE LIGHTER GRADE OIL. USE ONLY OIL THAT COMPLIES WITH APPLICABLE PILOT'S HANDBOOK.	TODA TEMPERATURA UTILICE VISCOSIDAD MULTIPLE O A MAYOR DE 16°C (60°F) : SAE 50 -1°C (30°F) HASTA 32°C (90°F) : SAE 40 -18°C (0°F) HASTA 21°C (70°F) : SAE 30 CUANDO TEMPERATURAS DE OPERACION SE SOBREPONEN, UTILIZE EL ACIETE DE MENOR GRADO UTILICE SOLAMENTE ACEITE QUE CUMPLA CON EL MANUAL DE OPERACION DEL PILOTO APROBADO. 0505048-10

1
DETAIL A
 ON OIL DOOR

PRECAUCION ESTA AERONAVE ESTA EQUIPADA CON ALTERNADOR Y SISTEMA A TIERRA NEGATIVO. OBSERVAR POLARIDAD CORRECTA POLARIDAD OPUESTA CAUSARÁ DAÑO A LOS COMPONENTES ELÉCTRICOS	24 VOLTIOS D.C. THIS AIRCRAFT IS EQUIPPED WITH ALTERNATOR AND A NEGATIVE GROUND SYSTEM. OBSERVE PROPER POLARITY REVERSE POLARITY WILL DAMAGE ELECTRICAL COMPONENTS.
1205024-6	

2
DETAIL B

0510T1007

ARGENTINE EXTERIOR PLACARDS AND MARKINGS - COWLING
 FIGURE 01 (SHEET 1)

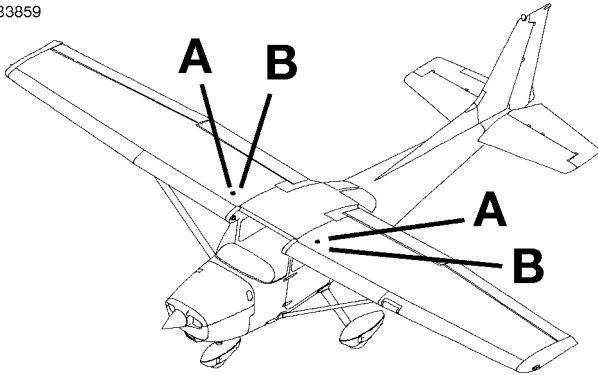
CESSNA AIRCRAFT COMPANY
MODEL 172 (SERIES 1996 AND ON)
 ILLUSTRATED PARTS CATALOG

FIG ITEM	PART NUMBER	1 2 3 4 5 6 7	NOMENCLATURE	UNITS PER ASSY
01			ARGENTINE EXTERIOR PLACARDS AND MARKINGS - COWLING	
-				RF
- 1	0505048-10		. PLACARD-ENGINE OIL 172	80845 & ON 01
- 1A	0505048-10		. PLACARD-ENGINE OIL 172S	11028 & ON 01
- 2	1205024-6		. PLACARD-BATTERY BOX 172 FSO S4193-3	80845 81563 NP R
- 2A	1205024-6		. PLACARD-BATTERY BOX 172S FSO S4193-3	09090 11027 NP R
- 2B	S4193-1		. PLACARD-BATTERY BOX 172 FSO S4193-3	81564 & ON NP R
- 2C	S4193-1		. PLACARD-BATTERY BOX 172S FSO S4193-3	11028 11678 NP R
- 2D	S4193-2		. PLACARD-BATTERY BOX 172 FSO S4193-3	81564 & ON NP R
- 2E	S4193-2		. PLACARD-BATTERY BOX 172S FSO S4193-3	11028 11678 NP R
- 2F	S4193-3		. PLACARD-ELECTRICAL 172S	11679 & ON 01 R

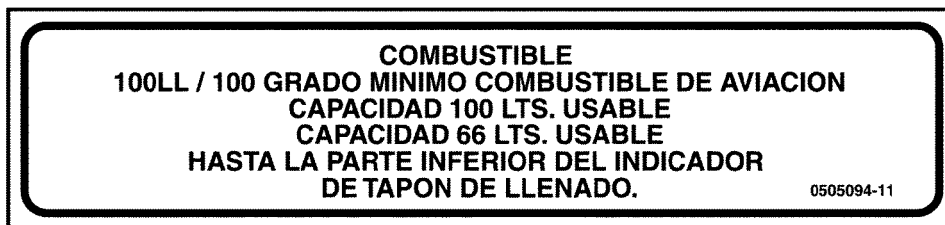
- ITEM NOT ILLUSTRATED

CESSNA AIRCRAFT COMPANY
MODEL 172 (SERIES 1996 AND ON)
ILLUSTRATED PARTS CATALOG

B3859



1
DETAIL **A**



2
DETAIL **B**

0510T1007

ARGENTINE EXTERIOR PLACARDS AND MARKINGS - WINGS
FIGURE 01 (SHEET 1)

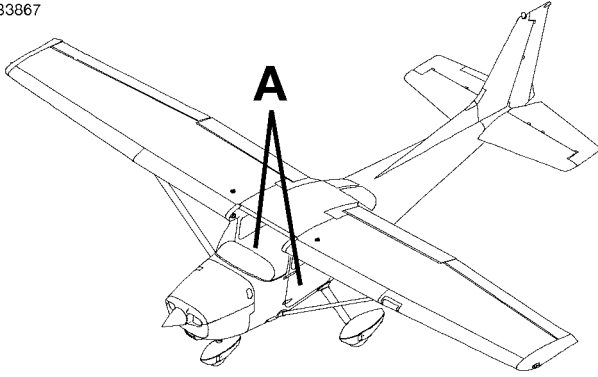
CESSNA AIRCRAFT COMPANY
MODEL 172 (SERIES 1996 AND ON)
 ILLUSTRATED PARTS CATALOG

FIG ITEM	PART NUMBER	1 2 3 4 5 6 7	NOMENCLATURE	UNITS PER ASSY	
01			ARGENTINE EXTERIOR PLACARDS AND MARKINGS - WINGS		RF
-					
1	0505048-9		. PLACARD-AVGAS 172R	80845	& ON 02
- 1A	0505048-9		. PLACARD-AVGAS 172S	11028	& ON 02 R
2	0505094-11		. PLACARD-FUEL CAPACITY 172R FSO S4190-1	80845	81563 NP
- 2A	S4190-1		. PLACARD-FUEL CAPACITY 172R	81564	& ON 02 R
- 2B	S4190-1		. PLACARD-FUEL CAPACITY 172S	11028	& ON 02 R

- ITEM NOT ILLUSTRATED

CESSNA AIRCRAFT COMPANY
MODEL 172 (SERIES 1996 AND ON)
ILLUSTRATED PARTS CATALOG

B3867



NO INSTALAR ASIENTO
MIRANDO HACIA ATRAS
ESTE ASIENTO ESTA CERTIFICADO PARA
MIRAR HACIA ADELANTE SOLAMENTE

0705097-5

1
DETAIL A
ON SEAT FRAME

0510T1007

ARGENTINE INTERIOR PLACARDS AND MARKINGS - SEATS
FIGURE 01 (SHEET 1)

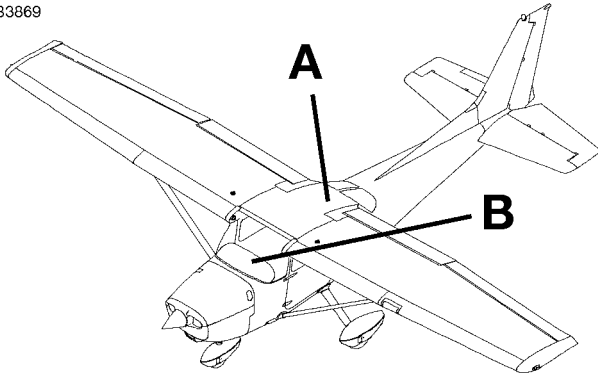
CESSNA AIRCRAFT COMPANY
MODEL 172 (SERIES 1996 AND ON)
 ILLUSTRATED PARTS CATALOG

FIG ITEM	PART NUMBER	1 2 3 4 5 6 7	NOMENCLATURE	UNITS PER ASSY
01			ARGENTINE INTERIOR PLACARDS AND MARKINGS - SEATS	
-				
1	0705097-5		. PLACARD-FWD SEAT 172R.....	80845 & ON 02
- 1A	0705097-5		. PLACARD-FWD SEAT 172S.....	11028 & ON 02 R

- ITEM NOT ILLUSTRATED

CESSNA AIRCRAFT COMPANY
MODEL 172 (SERIES 1996 AND ON)
ILLUSTRATED PARTS CATALOG

B3869

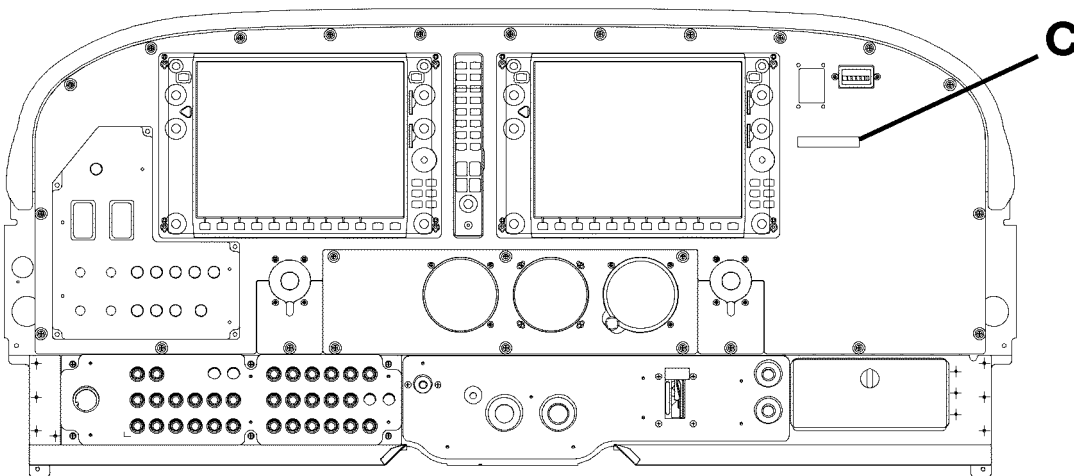


TRANSMISOR LOCALIZADOR DE EMERGENCIA INSTALADO DETRAS DE ESTA DIVISION DEBE CUMPLIR CON EL DNAR PARTE 91.207 1205085-8

PROHIBIDO FUMAR

2
DETAIL C

1
DETAIL A
ON ACCESS PANEL IN
BAGGAGE COMPARTMENT



DETAIL B
ARGENTINE INTERIOR PLACARDS AND MARKINGS - CABIN
FIGURE 01 (SHEET 1)

0510T1007
B0514T1066

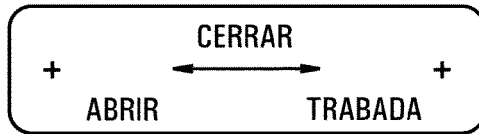
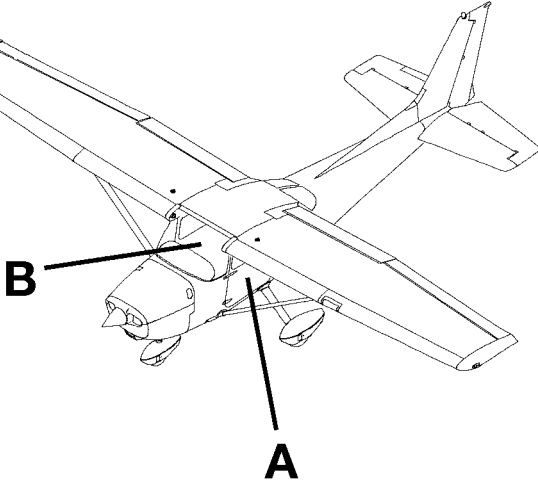
CESSNA AIRCRAFT COMPANY
MODEL 172 (SERIES 1996 AND ON)
 ILLUSTRATED PARTS CATALOG

FIG ITEM	PART NUMBER	NOMENCLATURE	UNITS PER ASSY	
			1 2 3 4 5 6 7	
01		ARGENTINE INTERIOR PLACARDS AND MARKINGS - CABIN		RF
-				
1	1205085-8	. PLACARD-ELT 172 FSO S4194-1	80845	81563 NP
- 1A	S4194-1	. PLACARD-ELT 172 FSO S4297-1	81564	& ON NP R
- 1B	S4194-1	. PLACARD-ELT 172S FSO S4297-1	11028	& ON NP R
- 1C	S4297-1	. PLACARD-ELT 172	81564	& ON 01
- 1D	S4297-1	. PLACARD-ELT 172S	11028	& ON 01
2	S4192-1	. PLACARD-INSTRUMENT PANEL 172	81564	& ON 01
- 2A	S4192-1	. PLACARD-INSTRUMENT PANEL 172S	11028	& ON 01

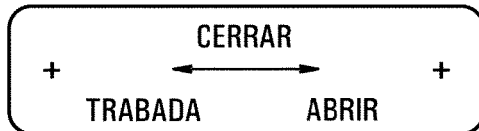
- ITEM NOT ILLUSTRATED

CESSNA AIRCRAFT COMPANY
MODEL 172 (SERIES 1996 AND ON)
ILLUSTRATED PARTS CATALOG

B3868



1
DETAIL A



2
DETAIL B

0510T1007

ARGENTINE INTERIOR PLACARDS AND MARKINGS - CABIN DOORS
FIGURE 01 (SHEET 1)

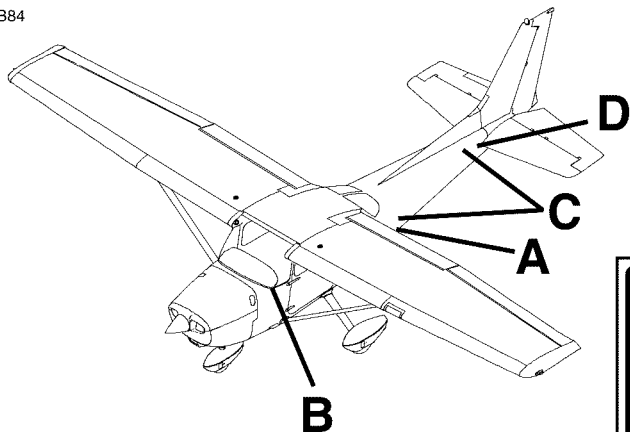
CESSNA AIRCRAFT COMPANY
MODEL 172 (SERIES 1996 AND ON)
 ILLUSTRATED PARTS CATALOG

FIG ITEM	PART NUMBER	1 2 3 4 5 6 7	NOMENCLATURE	UNITS PER ASSY		
01			ARGENTINE INTERIOR PLACARDS AND MARKINGS - CABIN DOORS			RF
-						
- 1	0705042-17		. PLACARD-LH DOOR OPEN CLOSE LOCK 172R	80845	& ON	01
- 1A	0705042-17		. PLACARD-LH DOOR OPEN CLOSE LOCK 172S	11028	& ON	01 R
- 2	0705042-18		. PLACARD-RH DOOR OPEN CLOSE LOCK 172R	80845	& ON	01
- 2A	0705042-18		. PLACARD-RH DOOR OPEN CLOSE LOCK 172S	11028	& ON	01 R

- ITEM NOT ILLUSTRATED

CESSNA AIRCRAFT COMPANY
MODEL 172 (SERIES 1996 AND ON)
 ILLUSTRATED PARTS CATALOG

B84



120 POUNDS MAXIMUM
 BAGGAGE FORWARD OF BAGGAGE DOOR LATCH

50 POUNDS MAXIMUM
 BAGGAGE AFT OF BAGGAGE DOOR LATCH

MAXIMUM 120 POUNDS COMBINED
 FOR ADDITIONAL LOADING INSTRUCTIONS
 SEE WEIGHT AND BALANCE DATA

0505043-3

Aircraft Identification	
UNIT NO. <input style="width: 90%;" type="text"/>	SERIAL NO. <input style="width: 90%;" type="text"/>
TC <input style="width: 90%;" type="text"/>	PC <input style="width: 90%;" type="text"/>
MODEL <input style="width: 90%;" type="text"/>	
Manufactured By Cessna Aircraft Company Wichita, Kansas	

5
DETAIL D

1
DETAIL A
 ON BAGGAGE DOOR



2
DETAIL B
 FORWARD OF CABIN DOOR
 BELOW CORNER OF WINDSHIELD

	XX-XXXX	
	CESSNA XXXX	
	XXXXXXXXXX	

3
DETAIL C
 ON TAILCONE BY LH STABILIZER
 AND LH SIDE DOOR

0510T1007

U.S. EXTERIOR PLACARDS AND MARKINGS - FUSELAGE
 FIGURE 01 (SHEET 1)

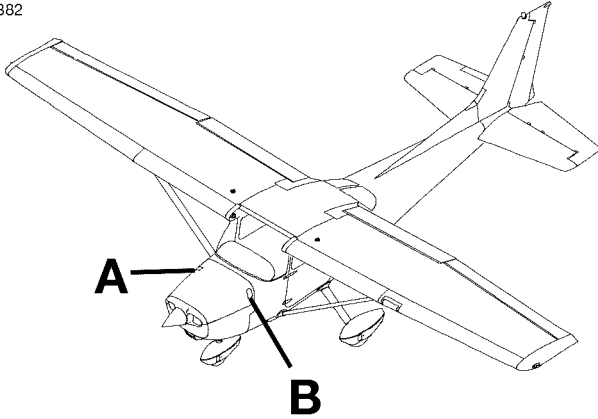
CESSNA AIRCRAFT COMPANY
MODEL 172 (SERIES 1996 AND ON)
 ILLUSTRATED PARTS CATALOG

FIG ITEM	PART NUMBER	NOMENCLATURE	UNITS PER ASSY	
			1 2 3 4 5 6 7	
01		U.S. EXTERIOR PLACARDS AND MARKINGS - FUSELAGE		RF
-				
- 1	0505043-1	. PLACARD-BAGGAGE CAPACITY 172 FSO 0505043-3	80001	80439 NP
- 1A	0505043-3	. PLACARD-BAGGAGE CAPACITY 172	80440	& ON 01
- 1B	0505043-3	. PLACARD-BAGGAGE CAPACITY 172S		01
- 2	135858-01	. DECAL-G1000 NAV III 172	81241	81544 01
- 2A	135858-01	. DECAL-G1000 NAV III 172S	09810	10885 01
- 3	0501181-7	. IDENTIFICATION PLATE-TAILCONE 172	81623	& ON 01
- 3A	0501181-7	. IDENTIFICATION PLATE-TAILCONE 172S	11316	& ON 01
- 4	0501181-7	. IDENTIFICATION PLATE-DOOR 172	81623	& ON 01
- 4A	0501181-7	. IDENTIFICATION PLATE-DOOR 172S	11316	& ON 01
- 5	S2807-1	. NAMEPLATE-EXTERIOR AIRCRAFT IDENTIFICATION 172		01 R
- 5A	S2807-1	. NAMEPLATE-EXTERIOR AIRCRAFT IDENTIFICATION 172S	08001	11614 01 R
- 5B	S4441-1	. NAMEPLATE-EXTERIOR AIRCRAFT IDENTIFICATION 172S	11615	& ON 01 R

- ITEM NOT ILLUSTRATED

CESSNA AIRCRAFT COMPANY
MODEL 172 (SERIES 1996 AND ON)
ILLUSTRATED PARTS CATALOG

B82



<p>Cessna _____ ENGINE OIL</p> <p>ALL TEMP. USE MULTIVISC. OR ABOVE 16°C (60°F) USE SAE 50 -1°C (30°F) TO 32°C (90°F) USE SAE 40 -18°C (0°F) TO 21°C (70°F) USE SAE 30</p> <p>WHEN OPERATING TEMPERATURES OVERLAP, USE THE LIGHTER GRADE OIL. USE ONLY OIL THAT COMPLIES WITH APPLICABLE PILOT'S HANDBOOK.</p> <p>S1397-13</p>
--

1
DETAIL A

<p>CAUTION 24 VOLTS D.C. THIS AIRCRAFT IS EQUIPPED WITH ALTERNATOR AND A NEGATIVE GROUND SYSTEM. OBSERVE PROPER POLARITY REVERSE POLARITY WILL DAMAGE ELECTRICAL COMPONENTS.</p> <p>1205024-2</p>

2
DETAIL B

0510T1007

U.S. EXTERIOR PLACARDS AND MARKINGS - COWLING
FIGURE 01 (SHEET 1)

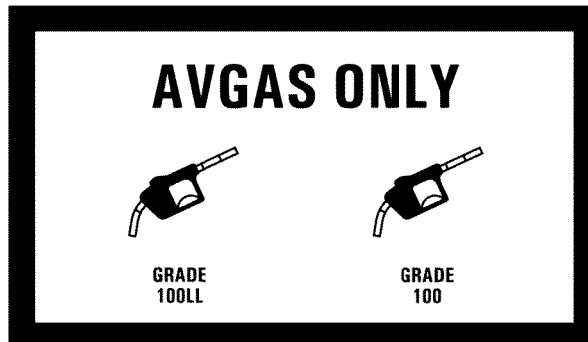
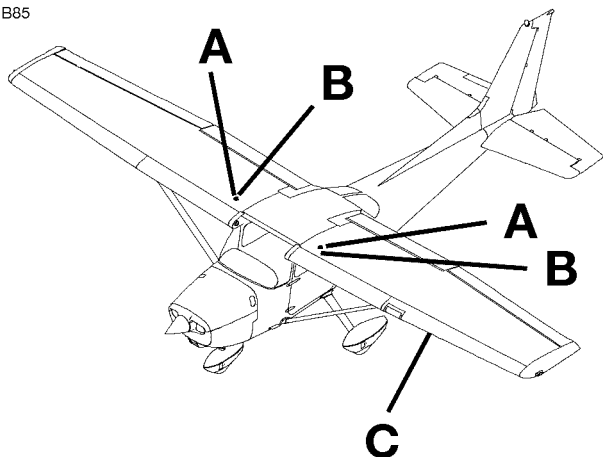
CESSNA AIRCRAFT COMPANY
MODEL 172 (SERIES 1996 AND ON)
 ILLUSTRATED PARTS CATALOG

FIG ITEM	PART NUMBER	1 2 3 4 5 6 7	NOMENCLATURE	UNITS PER ASSY
01			U.S. EXTERIOR PLACARDS AND MARKINGS - COWLING	RF
-			. PLACARD-ENGINE OIL	01
1	S1397-13		. PLACARD-BATTERY BOX	03
2	1205024-2		. PLACARD-BATTERY BOX 172S	08001 11678 03 R
- 2A	1205024-2		. PLACARD-ELECTRICAL 172S	11679 & ON 03 R
- 2B	S4354-1			

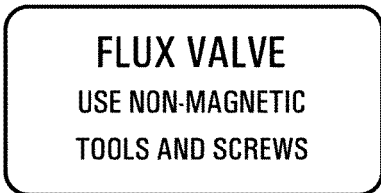
- ITEM NOT ILLUSTRATED

CESSNA AIRCRAFT COMPANY
MODEL 172 (SERIES 1996 AND ON)
 ILLUSTRATED PARTS CATALOG

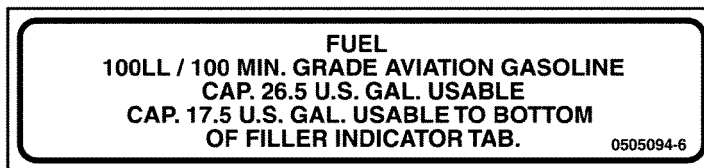
B85



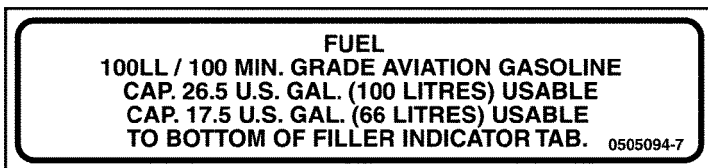
1
DETAIL A



3
DETAIL C



2
DETAIL B



2B
DETAIL B

0510T1007

U.S. EXTERIOR PLACARDS AND MARKINGS - WINGS
 FIGURE 01 (SHEET 1)

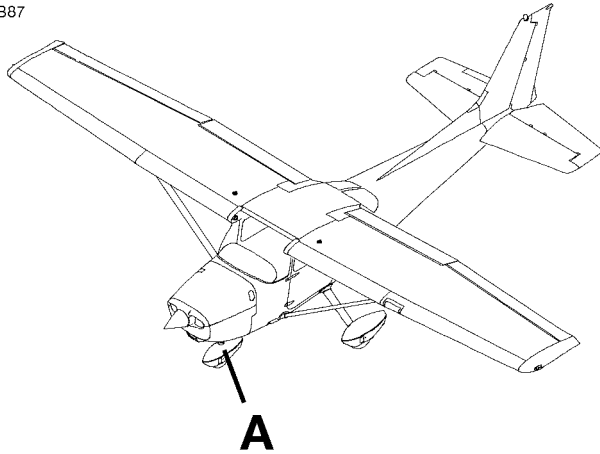
CESSNA AIRCRAFT COMPANY
MODEL 172 (SERIES 1996 AND ON)
 ILLUSTRATED PARTS CATALOG

FIG ITEM	PART NUMBER	NOMENCLATURE	UNITS PER ASSY		
			1	2	3
01		U.S. EXTERIOR PLACARDS AND MARKINGS - WINGS			
-					RF
1	S2608-1	. PLACARD-AVGAS FSO S4003-1 172	80001	81335	NP
- 1A	S2608-1	. PLACARD-AVGAS FSO S4003-1 172S	08001	10234	NP
- 1B	S4003-1	. PLACARD-AVGAS 172	81336	& ON	02
- 1C	S4003-1	. PLACARD-AVGAS 172S	10235	& ON	02
- 1D	S4003-2	. PLACARD - 93AKI-AVGAS 172	81336	& ON	02 R
- 1E	S4003-2	. PLACARD - 93AKI-AVGAS 172S	10235	& ON	02 R
2	0505094-6	. PLACARD-FUEL CAPACITY 172	80001	81200	02
- 2A	0505094-6	. PLACARD-FUEL CAPACITY 172S	08001	09568	02
2B	0505094-7	. PLACARD-FUEL CAPACITY 172 FSO S4004-3	81201	81335	NP
- 2C	0505094-7	. PLACARD-FUEL CAPACITY 172S FSO S4004-3	09569	10234	NP
- 2D	S4004-3	. PLACARD-FUEL CAPACITY 172	81336	& ON	02
- 2E	S4004-3	. PLACARD-FUEL CAPACITY 172S	10235	& ON	02
3	9754008-24	. FLUX LABEL			01

- ITEM NOT ILLUSTRATED

CESSNA AIRCRAFT COMPANY
MODEL 172 (SERIES 1996 AND ON)
ILLUSTRATED PARTS CATALOG

B87



CESSNA AIR OIL SHOCK STRUT
CESSNA AIRCRAFT COMPANY, WICHITA, KANSAS
FILLING INSTRUCTIONS

1. REMOVE VALVE CAP AND RELEASE ALL AIR.
2. REMOVE VALVE HOUSING ASSEMBLY.
3. COMPRESS STRUT COMPLETELY (STOPS IN CONTACT WITH OUTER BARREL HUB).
4. OIL LEVEL.
 - a. FLUID USED SHOULD COMPLY WITH SPECIFICATION MIL-H-5606.
 - b. FILL STRUT TO BOTTOM OF VALVE INSTALLATION HOLE.
 - c. MAINTAIN OIL LEVEL AT BOTTOM OF VALVE INSTALLATION HOLE.
5. FULLY EXTEND STRUT.
6. REPLACE VALVE HOUSING ASSEMBLY.
7. WITH STRUT FULLY EXTENDED AND NOSE WHEEL CLEAR OF GROUND, INFLATE STRUT TO 45 PSI.

0543032-2

1
DETAIL A

0510T1007

U.S. EXTERIOR PLACARDS AND MARKINGS - LANDING GEAR
FIGURE 01 (SHEET 1)

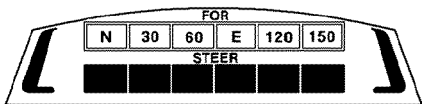
CESSNA AIRCRAFT COMPANY
MODEL 172 (SERIES 1996 AND ON)
 ILLUSTRATED PARTS CATALOG

FIG ITEM	PART NUMBER	NOMENCLATURE	UNITS PER ASSY
01			
-		U.S. EXTERIOR PLACARDS AND MARKINGS - LANDING GEAR	RF R
1	0543032-2	. PLACARD-NOSE GEAR SHOCK STRUT	01 R

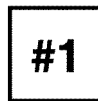
- ITEM NOT ILLUSTRATED

CESSNA AIRCRAFT COMPANY
MODEL 172 (SERIES 1996 AND ON)
 ILLUSTRATED PARTS CATALOG

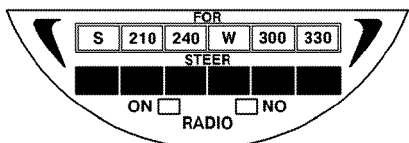
B100



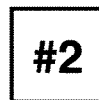
1
 ON COMPASS



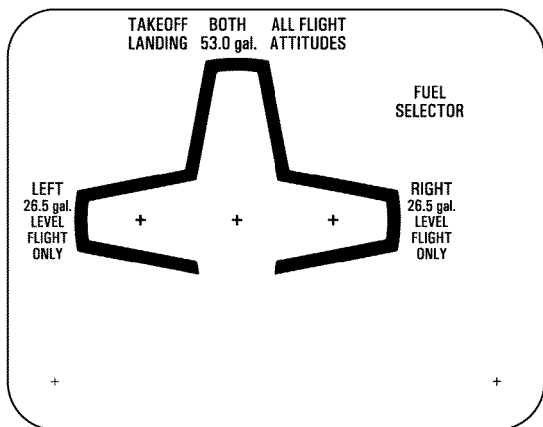
5
 ON INSTRUMENT PANEL



3
 ON COMPASS



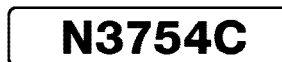
6
 ON INSTRUMENT PANEL



11
 ON CENTER CONSOLE



7
 ON INSTRUMENT PANEL



8
 SAMPLE NUMBER SHOWN
 ON INSTRUMENT PANEL



10
 ON PILOT AND COPILOT
 CONTROL WHEEL



9
 AIRPLANES INCORPORATING MK172-72-01

0510T1007

U.S. INTERIOR PLACARDS AND MARKINGS - FLIGHT COMPARTMENT
 FIGURE 01 (SHEET 1)

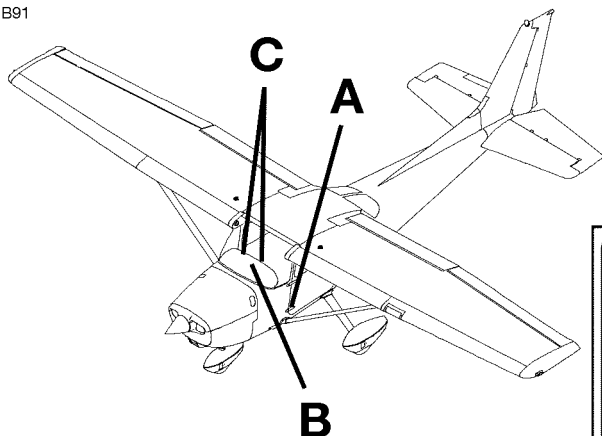
CESSNA AIRCRAFT COMPANY
MODEL 172 (SERIES 1996 AND ON)
 ILLUSTRATED PARTS CATALOG

FIG ITEM	PART NUMBER	NOMENCLATURE	UNITS	
			PER	ASSY
01		U.S. INTERIOR PLACARDS AND MARKINGS - FLIGHT COMPARTMENT		RF
-				
1	0400213-5	. PLACARD-COMPASS CORRECTION 172R	80001	80903 01
- 1A	0400213-5	. PLACARD-COMPASS CORRECTION 172S	08001	08485 01
- 2	0400213-8	. PLACARD-COMPASS CORRECTION 172R	80904	& ON 01
- 2A	0400213-8	. PLACARD-COMPASS CORRECTION 172S	08486	& ON 01
3	0400213-4	. PLACARD-COMPASS CORRECTION 172R	80001	80903 01
- 3A	0400213-4	. PLACARD-COMPASS CORRECTION 172S	08001	08485 01
- 4	0400213-7	. PLACARD-COMPASS CORRECTION 172R	80904	& ON 01
- 4A	0400213-7	. PLACARD-COMPASS CORRECTION 172S	08486	& ON 01
5	3930470-3	. PLACARD-NAV COM 1 172R	80984	& ON 01
- 5A	3930470-3	. PLACARD-NAV COM 1 172S	08704	& ON 01
6	3930470-4	. PLACARD-NAV COM 2 172R	80984	& ON 01
- 6A	3930470-4	. PLACARD-NAV COM 2 172S	08704	& ON 01
7	057-05628-0000	. PLACARD-GPS 172R	80001	80983 01
- 7A	057-05628-0000	. PLACARD-GPS 172S	08001	08703 01
8	1205009-1	. PLACARD-RADIO CALL		01
- 8A	1205009-4	. PLACARD-RADIO CALL NAV III		01
9	0505048-36	. PLACARD-MANEUVERING SPEED REFER TO NOTE 1		01
10	0415035-1	. PLACARD-MAP LIGHT DIM		02
11	0505095-10	. PLACARD-FUEL SELECTOR		01

NOTE 1—AIRPLANES INCORPORATING MK172-72-01

CESSNA AIRCRAFT COMPANY
MODEL 172 (SERIES 1996 AND ON)
 ILLUSTRATED PARTS CATALOG

B91



80
DETAIL C
 ON CONTROL WHEEL



79
DETAIL C
 ON CONTROL WHEEL



78
DETAIL C
 ON CONTROL WHEEL



77
DETAIL C
 ON CONTROL WHEEL

The markings and placards installed in this airplane contain operating limitations which must be complied with when operating this airplane in the Normal Category. Other operating limitations which must be complied with when operating this airplane in this category or in the Utility Category are contained in the Pilot's Operating Handbook and FAA Approved Airplane Flight Manual.

Normal Category - No acrobatic maneuvers, including spins, approved.

Utility Category - No acrobatic maneuvers approved, except those listed in the Pilot's Operating Handbook.
 Baggage compartment and rear seat must not be occupied.

Spin Recovery - Opposite rudder - forward elevator - neutralize controls.

Flight into known icing conditions prohibited.

This airplane is certified for the following flight operations as of date of original airworthiness certificate:
 DAY - NIGHT - VFR - IFR

0505087-23

75A
DETAIL A

3940420-1
 CONFIG MODULE ASSY

76
DETAIL B
 ON CONFIGURATION MODULE

0510T1007

U.S. INTERIOR PLACARDS AND MARKINGS - FLIGHT COMPARTMENT
 FIGURE 01 (SHEET 2)

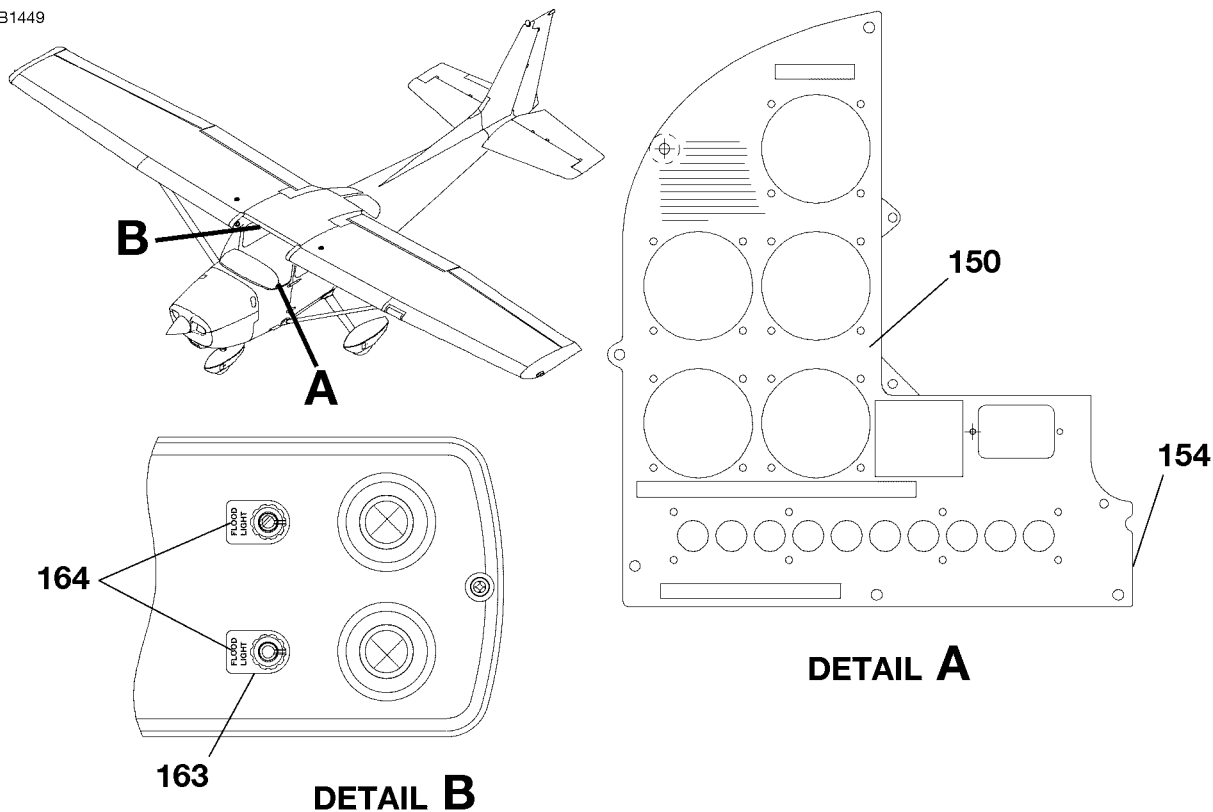
CESSNA AIRCRAFT COMPANY
MODEL 172 (SERIES 1996 AND ON)
 ILLUSTRATED PARTS CATALOG

FIG ITEM	PART NUMBER	NOMENCLATURE	UNITS	
			PER	ASSY
01				
- 75	0505087-3	. PLACARD-OPERATION LIMITS 172R	80001	80439 01
75A	0505087-23	. PLACARD-OPERATION LIMITS 172R	80440	& ON 01
- 75B	0505087-23	. PLACARD-OPERATION LIMITS 172S		01
76	3940420-3	. PLACARD-CONFIGURATION MODULE 172R	80140	80983 01
- 76A	3940420-3	. PLACARD-CONFIGURATION MODULE 172S	08001	08703 01
77	132335-01	. CONTROL WHEEL EMBLEM 172	V4S434 80984	81233 01
78	132336-01	. CONTROL WHEEL EMBLEM 172S	V4S434 08704	09770 01
79	136860-01	. CONTROL WHEEL EMBLEM 172	V4S434 81234	& ON 01
80	136861-01	. CONTROL WHEEL EMBLEM 172S	V4S434 09771	& ON 01

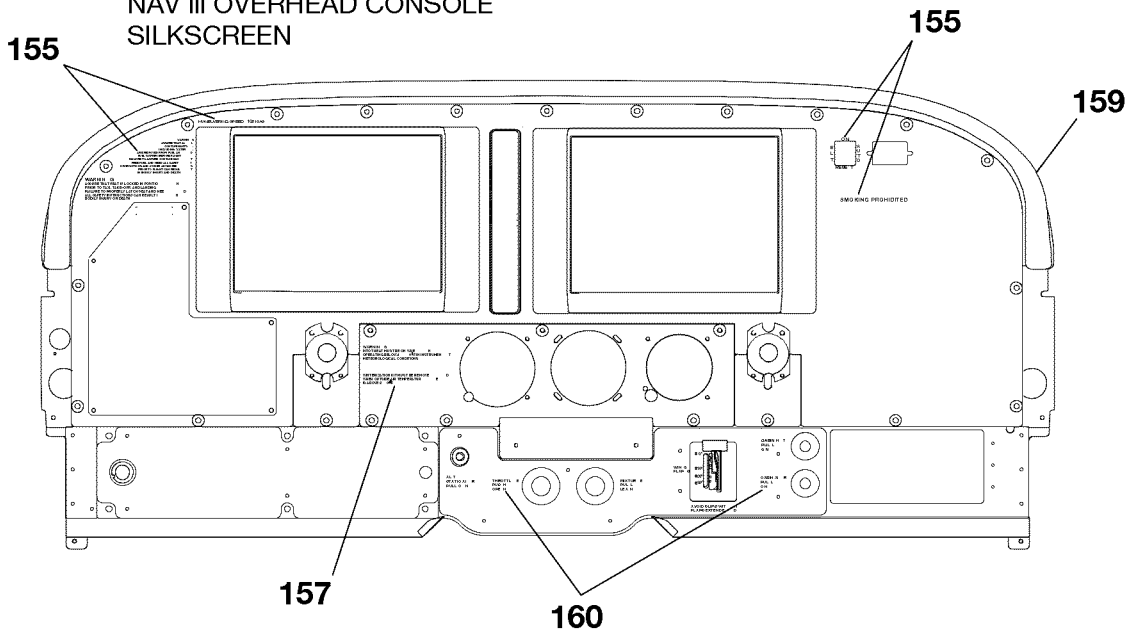
- ITEM NOT ILLUSTRATED

CESSNA AIRCRAFT COMPANY
MODEL 172 (SERIES 1996 AND ON)
 ILLUSTRATED PARTS CATALOG

B1449



NAV III OVERHEAD CONSOLE
 SILKSCREEN



DETAIL A
 NAV III INSTRUMENT PANEL
 SILKSCREEN

0510T1007
 A0514T1041
 A0514T1056
 B0519T1101

U.S. INTERIOR PLACARDS AND MARKINGS - FLIGHT COMPARTMENT
 FIGURE 01 (SHEET 3)

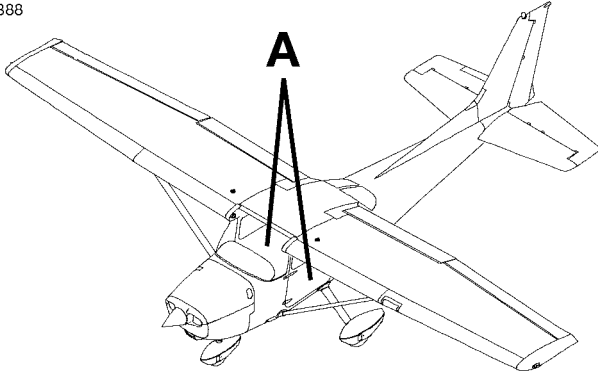
CESSNA AIRCRAFT COMPANY
MODEL 172 (SERIES 1996 AND ON)
ILLUSTRATED PARTS CATALOG

FIG ITEM	PART NUMBER	NOMENCLATURE	UNITS		
			PER	ASSY	
01					
150	0513571-13	. SILKSCREEN-PILOT PANEL ASSY OUTBD 172 REFER TO NOTE 1	80001	& ON	01
- 150A	0513571-13	. SILKSCREEN-PILOT PANEL ASSY OUTBD 172S REFER TO NOTE 1	08348	& ON	01
- 151	0513571-31	. SILKSCREEN-PILOT PANEL ASSY OUTBD 172 REFER TO NOTE 1	80694	& ON	01
- 152	0513571-40	. SILKSCREEN-PILOT PANEL ASSY OUTBD 172S REFER TO NOTE 1	08001	& ON	01
- 153	0513571-41	. SILKSCREEN-PILOT PANEL ASSY OUTBD 172S REFER TO NOTE 1	08113	& ON	01
154		. PILOT OUTBOARD PANEL ASSY REFER TO 31-00-00 FIGURE 01			RF
155	0513583-19	. SILKSCREEN-PILOT PANEL ASSY OUTBD 172 NAV III REFER TO NOTE 1	81241	& ON	01
- 155A	0513583-23	. SILKSCREEN-PILOT PANEL ASSY OUTBD 172 ELT & ELT/ADF REFER TO NOTE 1	81334	& ON	01
- 155B	0513583-23	. SILKSCREEN-PILOT PANEL ASSY OUTBD 172S ELT/ADF REFER TO NOTE 1	10215	& ON	01
- 155C	0513583-24	. SILKSCREEN-PILOT PANEL ASSY OUTBD 172 ELT/ADF REFER TO NOTE 1	81334	& ON	01
- 155D	0513583-24	. SILKSCREEN-PILOT PANEL ASSY OUTBD 172S ELT & ELT/ADF REFER TO NOTE 1	10215	& ON	01
- 156	0513583-9	. SILKSCREEN-PILOT PANEL ASSY OUTBD 172S NAV III REFER TO NOTE 1	09810	& ON	01
157	0513583-7	. SILKSCREEN NAV III 172	81241	& ON	01
- 158	0513583-7	. SILKSCREEN NAV III 172S	09810	& ON	01
159		. PILOT OUTBOARD PANNEL ASSY REFER TO FIGURE 31-00-00 FIGURE 01A			RF
160	0513574-7	. SILKSCREEN-STATIONARY CONTROL PANEL 172S	09810	& ON	01
- 161	0513574-7	. SILKSCREEN-STATIONARY CONTROL PANEL 172	81241	& ON	01
- 162	0501169-2	. FLOOD LIGHT PLACARD ASSY 172	81241	& ON	02 R
- 162A	0501169-2	. FLOOD LIGHT PLACARD ASSY 172S	09810	& ON	02 R
163	0501169-3	. . FLOOD LIGHT PLATE 172	81241	& ON	01 R
- 163A	0501169-3	. . FLOOD LIGHT PLATE 172S	09810	& ON	01 R
164	1215210-50	. . SILKSCREEN NAV III FLOOD LIGHT OVERHEAD CONSOLE 172	81241	& ON	01 R
- 164A	1215210-50	. . SILKSCREEN NAV III FLOOD LIGHT OVERHEAD CONSOLE 172S	09810	& ON	01 R
- 165	0513572-5	. SILKSCREEN-PANEL ASSY 172	80984	81356	01 R
- 165A	0513572-5	. SILKSCREEN-PANEL ASSY 172S	08704	10431	01 R
- 166	0513587-13	. SILKSCREEN NO SMOKING 172	81357	& ON	01 R
- 166A	0513587-13	. SILKSCREEN NO SMOKING 172S	10432	& ON	01 R

NOTE 1—WHEN ORDERING SILKSCREEN PART NUMBERS, THE PRODUCT YOU RECEIVE WILL BE IN THE FORM OF A PLACARD

CESSNA AIRCRAFT COMPANY
MODEL 172 (SERIES 1996 AND ON)
ILLUSTRATED PARTS CATALOG

B88



DO NOT INSTALL SEAT FACING AFT.
THIS SEAT IS CERTIFIED FOR
FORWARD FACING ONLY.

0705097-2

1

DETAIL A
ON SEAT FRAME

0510T1007

U.S. INTERIOR PLACARDS AND MARKINGS - SEATS
FIGURE 02 (SHEET 1)

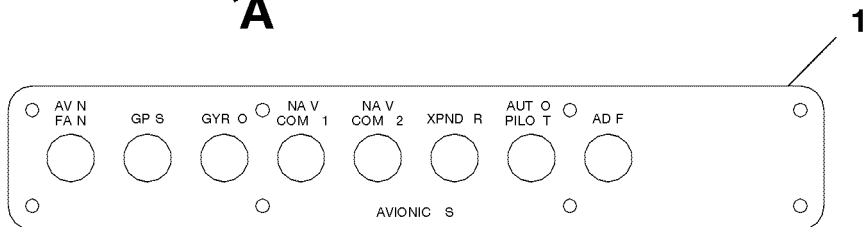
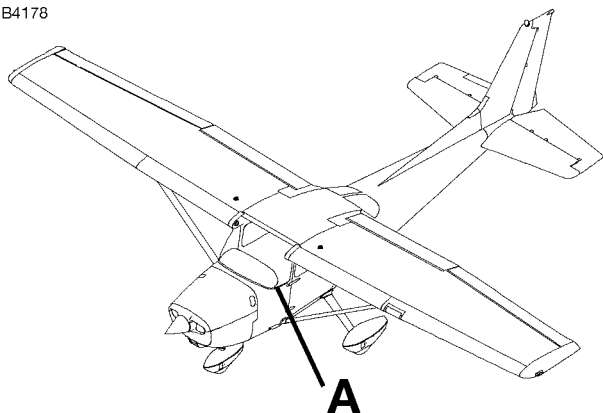
CESSNA AIRCRAFT COMPANY
MODEL 172 (SERIES 1996 AND ON)
 ILLUSTRATED PARTS CATALOG

FIG ITEM	PART NUMBER	1 2 3 4 5 6 7	NOMENCLATURE	UNITS PER ASSY
02			U.S. INTERIOR PLACARDS AND MARKINGS - SEATS	RF
-			. PLACARD-SEAT FWD ONLY	02
- 1	0705097-2		. PLACARD-OBSERVER SEAT OPTION 172	81545 & ON 01 R
- 2	0705097-2		. PLACARD-OBSERVER SEAT OPTION 172S	10886 & ON 01 R
- 3	0705097-2			

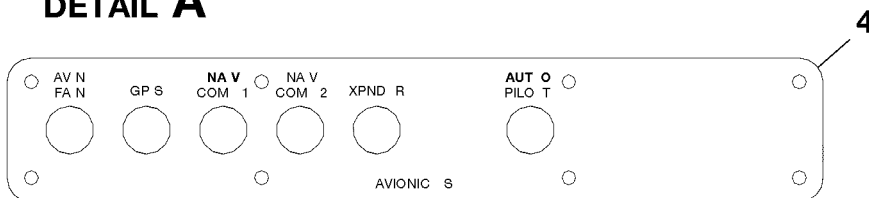
- ITEM NOT ILLUSTRATED

CESSNA AIRCRAFT COMPANY
MODEL 172 (SERIES 1996 AND ON)
 ILLUSTRATED PARTS CATALOG

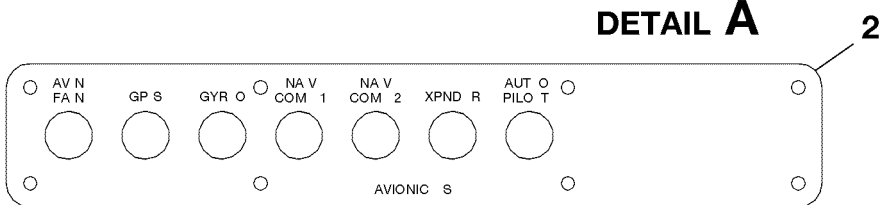
B4178



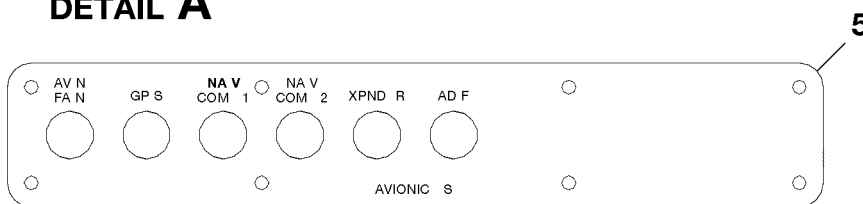
DETAIL A



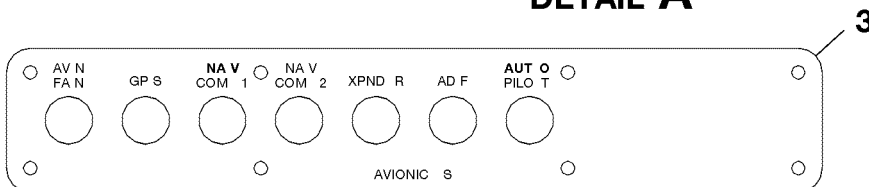
DETAIL A



DETAIL A



DETAIL A



DETAIL A

BEZEL PANEL SILKSCREENS
 FIGURE 03 (SHEET 1)

0510T1007

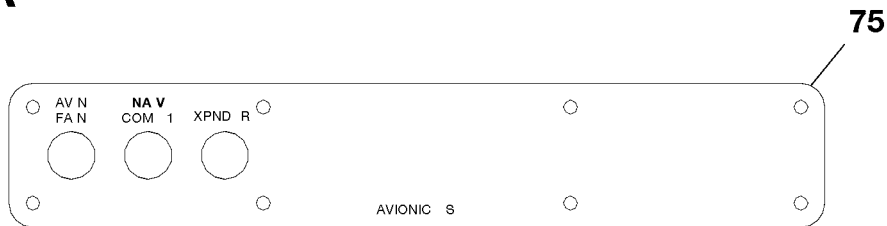
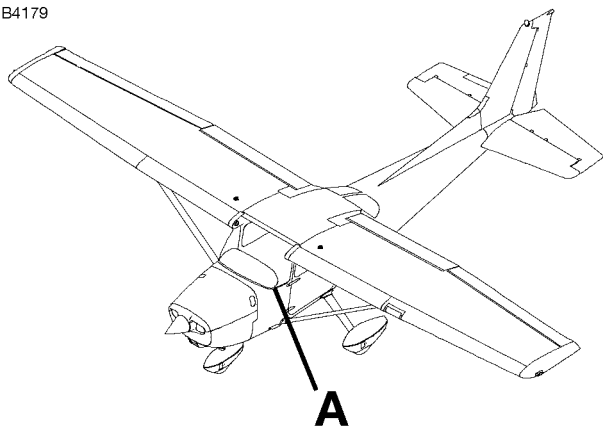
CESSNA AIRCRAFT COMPANY
MODEL 172 (SERIES 1996 AND ON)
 ILLUSTRATED PARTS CATALOG

FIG ITEM	PART NUMBER	NOMENCLATURE	UNITS	
			PER	ASSY
	1 2 3 4 5 6 7			
03		BEZEL PANEL SILKSCREENS REFER TO NOTE 1		
-				RF R
- 1	3930348-14	. SILKSCREEN-NAV II WITH HSI/ADF 172	80984	& ON 01 R
- 1A	3930348-14	. SILKSCREEN-NAV II WITH HSI/ADF 172S	08704	& ON 01 R
- 2	3930348-12	. SILKSCREEN-NAV II WITH HSI 172	80984	& ON 01 R
- 2A	3930348-12	. SILKSCREEN-NAV II WITH HSI 172S	08704	& ON 01 R
- 3	3930348-10	. SILKSCREEN-NAV I & II WITH ADF 172	80984	& ON 01 R
- 3A	3930348-10	. SILKSCREEN-NAV I & II WITH ADF 172S	08704	& ON 01 R
- 4	3930348-8	. SILKSCREEN-NAV I & II STANDARD 172	80984	& ON 01 R
- 4A	3930348-8	. SILKSCREEN-NAV I & II STANDARD 172S	08704	& ON 01 R
- 5	3930348-6	. SILKSCREEN-NAV I WITH ADF 172	80984	& ON 01 R
- 5A	3930348-6	. SILKSCREEN-NAV I WITH ADF 172S	08704	& ON 01 R

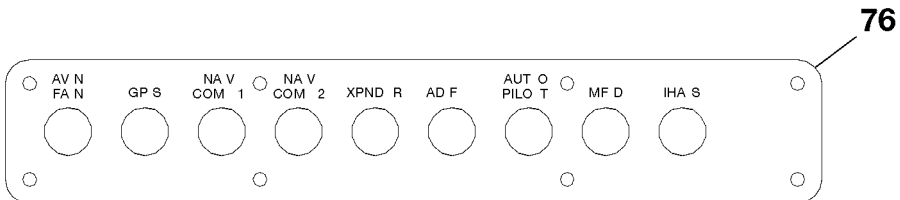
NOTE 1—WHEN ORDERING SILKSCREEN PART NUMBERS, THE PRODUCT YOU RECEIVE WILL BE IN THE FORM OF A PLACARD R

CESSNA AIRCRAFT COMPANY
MODEL 172 (SERIES 1996 AND ON)
 ILLUSTRATED PARTS CATALOG

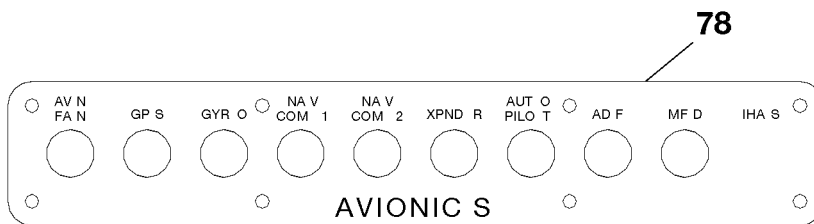
B4179



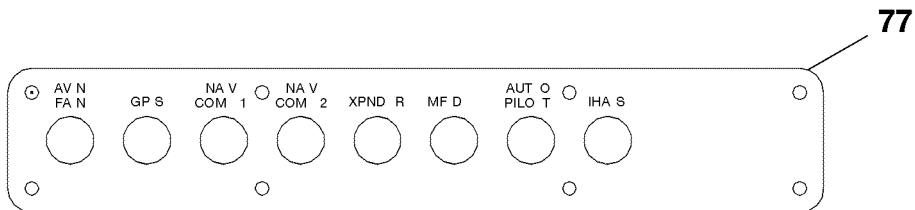
DETAIL A



DETAIL A



DETAIL A



DETAIL A

0510T1007

BEZEL PANEL SILKSCREENS
 FIGURE 03 (SHEET 2)

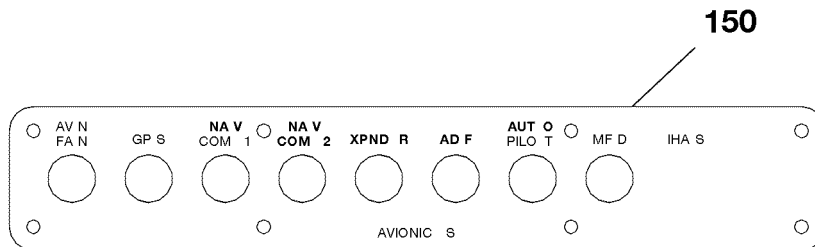
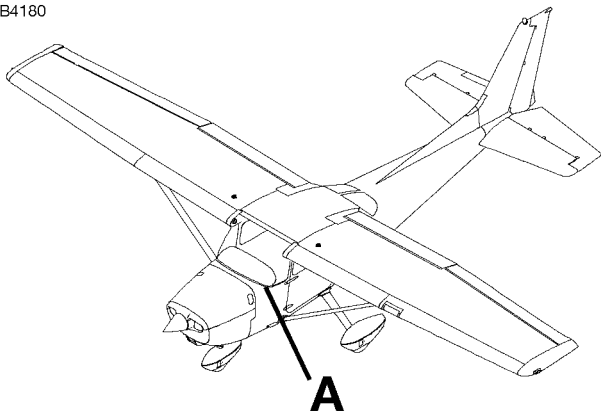
CESSNA AIRCRAFT COMPANY
MODEL 172 (SERIES 1996 AND ON)
 ILLUSTRATED PARTS CATALOG

FIG ITEM	PART NUMBER	NOMENCLATURE	UNITS PER ASSY		
			1	2	3
03					
75	3930348-2	. SILKSCREEN-STANDARD 172	80984	& ON	01 R
- 75A	3930348-2	. SILKSCREEN-STANDARD 172S	08704	& ON	01 R
76	3930348-35	. SILKSCREEN-NAV III WITH MFD/FIS/ADF 172	81201	& ON	01 R
- 76A	3930348-35	. SILKSCREEN-NAV III WITH MFD/FIS/ADF 172S	09569	& ON	01 R
77	3930348-33	. SILKSCREEN-NAV II WITH MFD/FIS 172	81201	& ON	01 R
- 77A	3930348-33	. SILKSCREEN-NAV II WITH MFD/FIS 172S	09569	& ON	01 R
78	3930348-28	. SILKSCREEN-NAV II WITH ADF/HSI OR WITH MFD/FIS/ADF 172	81098	& ON	01 R
- 78A	3930348-28	. SILKSCREEN-NAV II WITH ADF/HSI OR WITH MFD/FIS/ADF 172S	09063	& ON	01 R

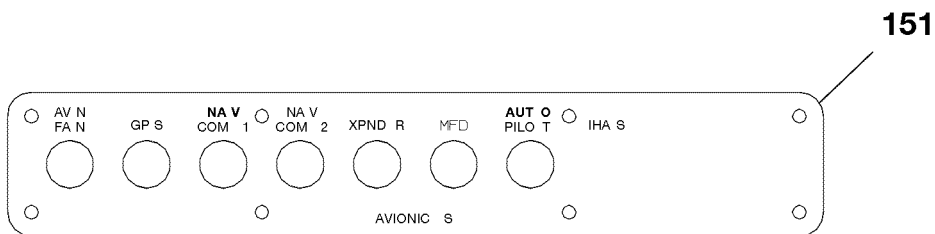
- ITEM NOT ILLUSTRATED

CESSNA AIRCRAFT COMPANY
MODEL 172 (SERIES 1996 AND ON)
 ILLUSTRATED PARTS CATALOG

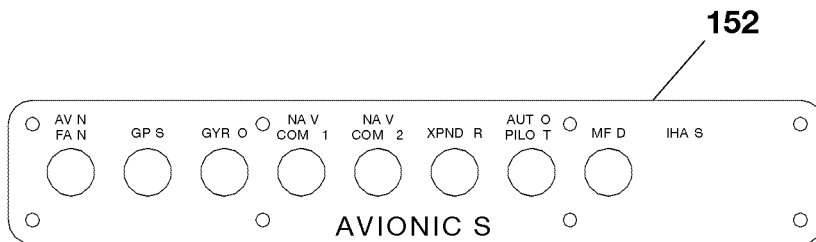
B4180



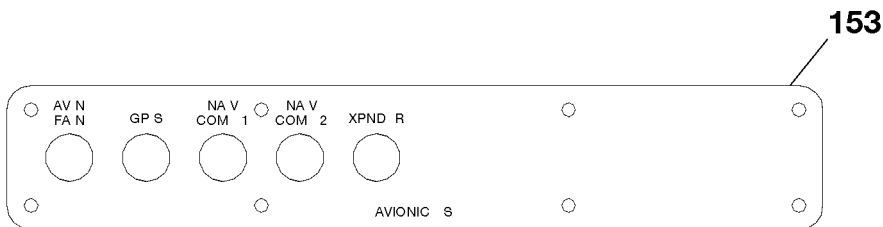
DETAIL A



DETAIL A



DETAIL A



DETAIL A

BEZEL PANEL SILKSCREENS
 FIGURE 03 (SHEET 3)

0510T1007

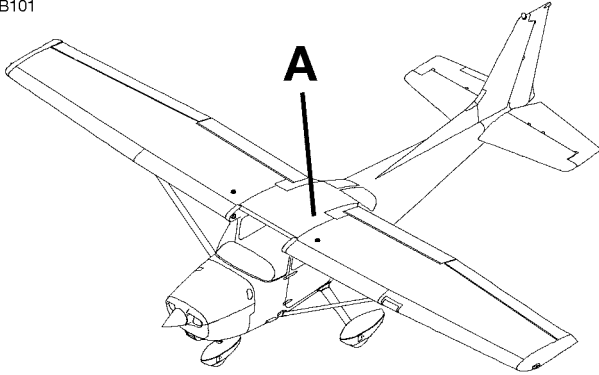
CESSNA AIRCRAFT COMPANY
MODEL 172 (SERIES 1996 AND ON)
 ILLUSTRATED PARTS CATALOG

FIG ITEM	PART NUMBER	1 2 3 4 5 6 7	NOMENCLATURE	UNITS PER ASSY		
03						
150	3930348-24		. SILKSCREEN-NAV I & II WITH ADF/MFD 172	81098	& ON	01 R
- 150A	3930348-24		. SILKSCREEN-NAV I & II WITH ADF/MFD 172S	09063	& ON	01 R
151	3930348-22		. SILKSCREEN-NAV I & II WITH MFD 172	81098	& ON	01 R
- 151A	3930348-22		. SILKSCREEN-NAV I & II WITH MFD 172S	09063	& ON	01 R
152	3930348-26		. SILKSCREEN-NAV II WITH IHAS OR WITH HSI/MFD 172	81098	& ON	01 R
- 152A	3930348-26		. SILKSCREEN-NAV II WITH IHAS OR WITH HSI/MFD 172S	09063	& ON	01 R
153	3930348-4		. SILKSCREEN-NAV 1 STANDARD 172	80984	& ON	01 R
- 154	3930348-4		. SILKSCREEN-NAV 1 STANDARD 172S	08704	& ON	01 R

- ITEM NOT ILLUSTRATED

CESSNA AIRCRAFT COMPANY
MODEL 172 (SERIES 1996 AND ON)
ILLUSTRATED PARTS CATALOG

B101



2

DETAIL A

ON ACCESS PANEL IN
BAGGAGE COMPARTMENT



3

DETAIL A

ON ACCESS PANEL IN
BAGGAGE COMPARTMENT

0510T1007

U.S. INTERIOR PLACARDS AND MARKINGS - CABIN
FIGURE 01 (SHEET 1)

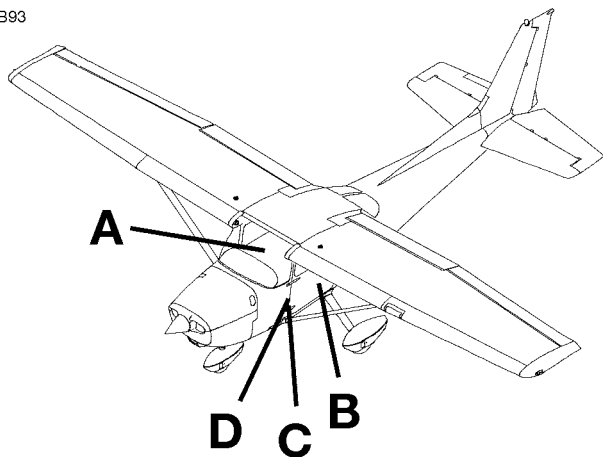
CESSNA AIRCRAFT COMPANY
MODEL 172 (SERIES 1996 AND ON)
 ILLUSTRATED PARTS CATALOG

FIG ITEM	PART NUMBER	NOMENCLATURE	UNITS PER ASSY		
			1	2	3
01		U.S. INTERIOR PLACARDS AND MARKINGS - CABIN			RF
-					
- 1	1205085-3	. PLACARD-ELT 172 FSO 1205085-1	80001	80439	NP R
- 2	1205085-4	. PLACARD-ELT 172 FSO 1205085-11	80440	81514	NP R
- 2A	1205085-4	. PLACARD-ELT 172S FSO 1205085-11	08001	10707	NP R
- 3	1205085-11	. PLACARD-ELT 172	81515	& ON	01 R
- 3A	1205085-11	. PLACARD-ELT 172S	10708	& ON	01 R

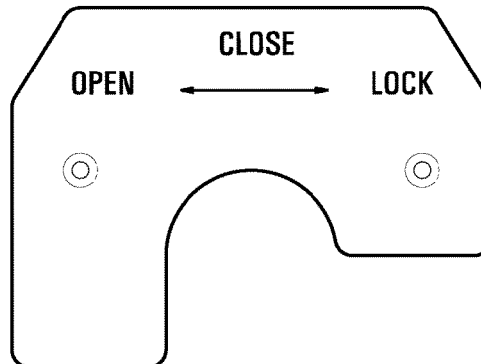
- ITEM NOT ILLUSTRATED

CESSNA AIRCRAFT COMPANY
MODEL 172 (SERIES 1996 AND ON)
 ILLUSTRATED PARTS CATALOG

B93



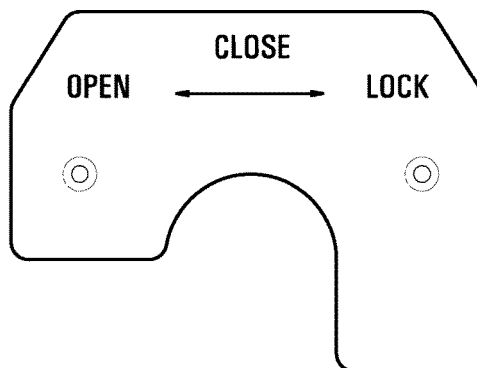
3
DETAIL D
 ON LH CABIN DOOR FRAME



2
DETAIL A
 ON INTERIOR RH DOOR



5
DETAIL C
 ON LH CABIN DOOR FRAME



1
DETAIL B
 ON INTERIOR LH DOOR

0510T1007

U.S. INTERIOR PLACARDS AND MARKINGS - CABIN DOORS
 FIGURE 01 (SHEET 1)

CESSNA AIRCRAFT COMPANY
MODEL 172 (SERIES 1996 AND ON)
 ILLUSTRATED PARTS CATALOG

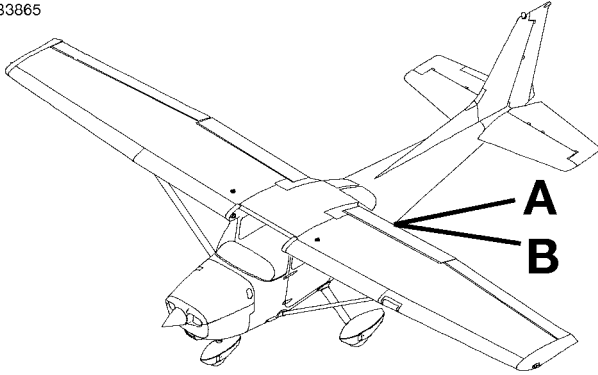
FIG ITEM	PART NUMBER	NOMENCLATURE	UNITS	
			PER	ASSY
01				
-		U.S. INTERIOR PLACARDS AND MARKINGS - CABIN DOORS		RF R
- 1	0705042-7	. PLACARD-LH DOOR OPEN CLOSE LOCK 172R	80001 80888	01 R
- 1A	0705042-7	. PLACARD-LH DOOR OPEN CLOSE LOCK 172S	08001 08418	01 R
- 2	0705042-8	. PLACARD-RH DOOR OPEN CLOSE LOCK 172R	80001 80888	01 R
- 2A	0705042-8	. PLACARD-RH DOOR OPEN CLOSE LOCK 172S	08001 08418	01 R
- 3	0713047-0	. PLATE-FINISH & TRIM		01 R
		ATTACHING PARTS		
- 4	MS21318-14	. SCREW		02 R
		—*—		
- 5	S2222-1	. NAMEPLATE 172R REFER TO NOTE 1	80001 81142	01 R
- 5A	S2222-1	. NAMEPLATE 172S REFER TO NOTE 1	08001 09288	01 R

NOTE 1—WHEN ORDERING THIS PART, THE OWNER MUST SEND A NOTORIZED DOCUMENT STATING THE REASON FOR ORDERING A NEW ID PLATE, TYPE CERTIFICATE NUMBER, PRODUCTION CERTIFICATE NUMBER, ID PLATE NUMBER AND MODEL NUMBER. THE OLD ID PLATE FROM THE AIRPLANE SHOULD BE ATTACHED TO THE ORDER, IF AVAILABLE. IF NOT ATTACHED, THE NEW PLATE WILL BE STAMPED DUPLICATE.

R

CESSNA AIRCRAFT COMPANY
MODEL 172 (SERIES 1996 AND ON)
ILLUSTRATED PARTS CATALOG

B3865



**CARGA MÁXIMA DE 54kg NO COMPARTIMENTO
À FRENTE DO FECHO DA PORTA DE CARGA,
E DE 22kg NO COMPARTIMENTO ATRÁS DO
FECHO DA PORTA DE CARGA.**

CARREGAMENTO MÁXIMO COMBINADO DE 54kg

PARA INSTRUÇÕES ADICIONAIS DE CARREGAMENTO
VEJA SEÇÃO DE PESO E BALANCEAMENTO

0505043-5

1

DETAIL A

ON BAGGAGE DOOR

**A REDE DE CARGA DE
NYLON DEVE ESTAR
INSTALADA PARA O
TRANSPORTE DE BAGAGEM**

0505048-11

2

DETAIL B

ON BAGGAGE DOOR

0510T1007

BRAZILIAN EXTERIOR PLACARDS AND MARKINGS - FUSELAGE
FIGURE 01 (SHEET 1)

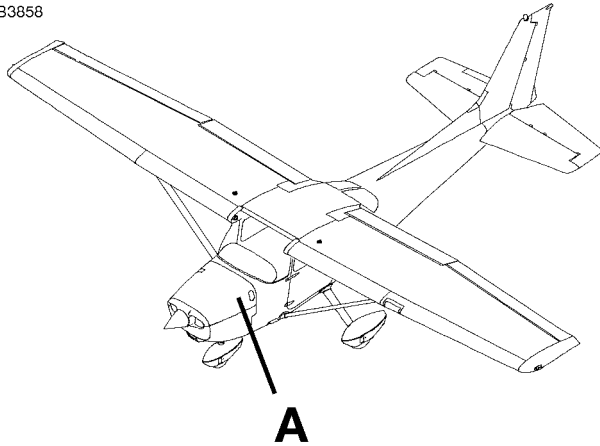
CESSNA AIRCRAFT COMPANY
MODEL 172 (SERIES 1996 AND ON)
 ILLUSTRATED PARTS CATALOG

FIG ITEM	PART NUMBER	1 2 3 4 5 6 7	NOMENCLATURE	UNITS PER ASSY
01			BRAZILIAN EXTERIOR PLACARDS AND MARKINGS - FUSELAGE	
-				
- 1	0505043-5		. PLACARD-BAGGAGE CAPACITY 172R	80638 & ON 01 R
- 1A	0505043-5		. PLACARD-BAGGAGE CAPACITY 172S	08175 & ON 01 R
- 2	0505048-11		. PLACARD-CARGO NET 172R	80638 & ON 01 R
- 2A	0505048-11		. PLACARD-CARGO NET 172S	08175 & ON 01 R

- ITEM NOT ILLUSTRATED

CESSNA AIRCRAFT COMPANY
MODEL 172 (SERIES 1996 AND ON)
ILLUSTRATED PARTS CATALOG

B3858



CUIDADO	TENSÃO NOMINAL: 24VDC
ESTA AERONAVE ESTÁ EQUIPADA COM ALTERNADOR E UM SISTEMA DE ATERRAMENTO NEGATIVO.	
OBSERVE POLARIDADE CORRETA	
A POLARIDADE INVERTIDA DANIFICARÁ COMPONENTES ELÉTRICOS.	
CAUTION	24 VOLTS DC
THIS AIRCRAFT IS EQUIPPED WITH ALTERNATOR AND A NEGATIVE GROUND SYSTEM.	
OBSERVE PROPER POLARITY	
REVERSE POLARITY WILL DAMAGE ELECTRICAL COMPONENTS.	
	1205024-4

1
DETAIL A

0510T1007

BRAZILIAN EXTERIOR PLACARDS AND MARKINGS - COWLING
FIGURE 01 (SHEET 1)

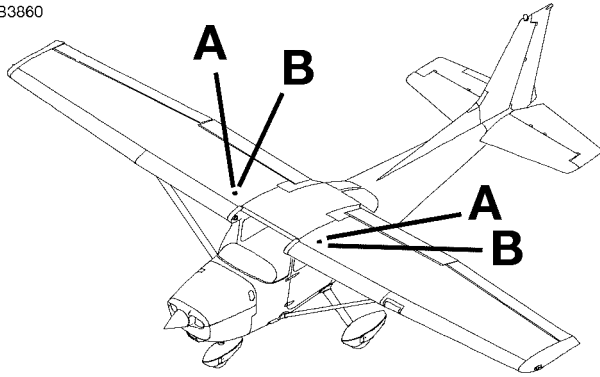
CESSNA AIRCRAFT COMPANY
MODEL 172 (SERIES 1996 AND ON)
 ILLUSTRATED PARTS CATALOG

FIG ITEM	PART NUMBER	NOMENCLATURE	UNITS PER ASSY	
			1 2 3 4 5 6 7	
01		BRAZILIAN EXTERIOR PLACARDS AND MARKINGS - COWLING		RF
-				
- 1	1205024-4	. PLACARD-BATTERY BOX 172R	80638	& ON 01
- 2	1205024-4	. PLACARD-BATTERY BOX 172S	08175	11678 01 R
- 2A	S4356-1	. PLACARD-ELECTRICAL 172S	11679	& ON 01 R

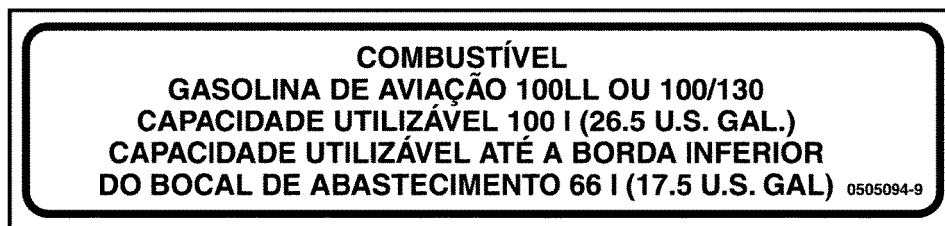
- ITEM NOT ILLUSTRATED

CESSNA AIRCRAFT COMPANY
MODEL 172 (SERIES 1996 AND ON)
ILLUSTRATED PARTS CATALOG

B3860



1
DETAIL A



2
DETAIL B

0510T1007

BRAZILIAN EXTERIOR PLACARDS AND MARKINGS - WINGS
FIGURE 01 (SHEET 1)

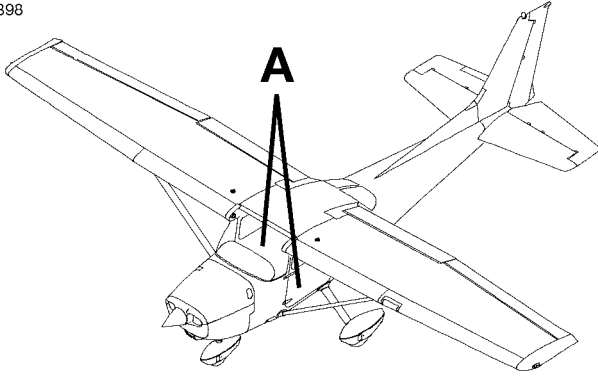
CESSNA AIRCRAFT COMPANY
MODEL 172 (SERIES 1996 AND ON)
 ILLUSTRATED PARTS CATALOG

FIG ITEM	PART NUMBER	1 2 3 4 5 6 7	NOMENCLATURE	UNITS PER ASSY	
01			BRAZILIAN EXTERIOR PLACARDS AND MARKINGS - WINGS		RF R
-					
- 1	0505048-6		. PLACARD-AVGAS 172R	80638 & ON	02 R
- 1A	0505048-6		. PLACARD-AVGAS 172R	08175 & ON	02 R
- 2	0505094-9		. PLACARD-FUEL CAPACITY 172R	80638 & ON	02 R
- 2A	0505094-9		. PLACARD-FUEL CAPACITY 172S	08175 & ON	02 R

- ITEM NOT ILLUSTRATED

CESSNA AIRCRAFT COMPANY
MODEL 172 (SERIES 1996 AND ON)
ILLUSTRATED PARTS CATALOG

B98



**NÃO INSTALE O ASSENTO VOLTADO PARA TRÁS
ESTE ASSENTO ESTÁ APROVADO SOMENTE PARA
SER INSTALADO VOLTADO PARA FRENTE**

0705097-4

1

DETAIL A
ON SEAT FRAME

0510T1007

BRAZILIAN INTERIOR PLACARDS AND MARKINGS - SEATS
FIGURE 01 (SHEET 1)

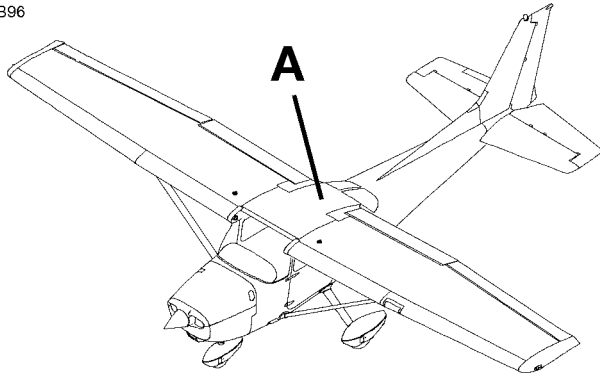
CESSNA AIRCRAFT COMPANY
MODEL 172 (SERIES 1996 AND ON)
 ILLUSTRATED PARTS CATALOG

FIG ITEM	PART NUMBER	1 2 3 4 5 6 7	NOMENCLATURE	UNITS PER ASSY
01			BRAZILIAN INTERIOR PLACARDS AND MARKINGS - SEATS	
-				
- 1	0705097-4		. PLACARD-SEAT FWD ONLY 172R	80638 & ON 02 R
- 1A	0705097-4		. PLACARD-SEAT FWD ONLY 172S	08175 & ON 02 R

- ITEM NOT ILLUSTRATED

CESSNA AIRCRAFT COMPANY
MODEL 172 (SERIES 1996 AND ON)
ILLUSTRATED PARTS CATALOG

B96



**TRANSMISSOR LOCALIZADOR DE
EMERGÊNCIA (ELT) INSTALADO
ATRÁS DESTA DIVISÓRIA.
MANTENHA A BATERIA CARREGADA
CONFORME O RBHA 91.207. 1205085-6**

1

DETAIL A

ON ACCESS PANEL IN
BAGGAGE COMPARTMENT

0510T1007

BRAZILIAN INTERIOR PLACARDS AND MARKINGS - CABIN
FIGURE 01 (SHEET 1)

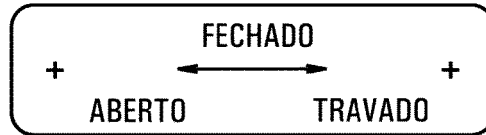
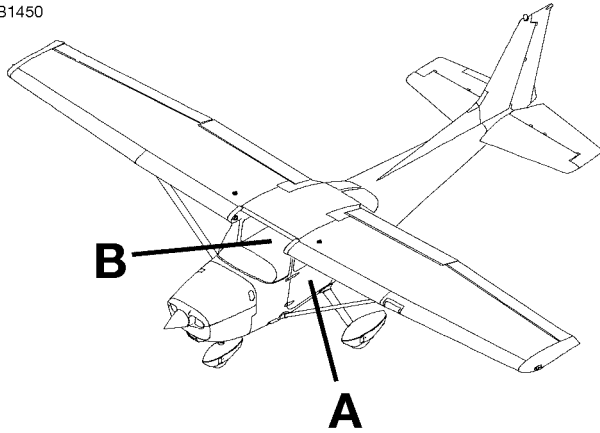
CESSNA AIRCRAFT COMPANY
MODEL 172 (SERIES 1996 AND ON)
 ILLUSTRATED PARTS CATALOG

FIG ITEM	PART NUMBER	1 2 3 4 5 6 7	NOMENCLATURE	UNITS PER ASSY		
01			BRAZILIAN INTERIOR PLACARDS AND MARKINGS - CABIN			RF
-						
- 1	1205085-6		. PLACARD-ELT 172	80638	81595	01 R
- 1A	1205085-6		. PLACARD-ELT 172S	08175	11125	01 R
- 1B	S4270-1		. PLACARD-ELT 172	81596	& ON	01 R
- 1C	S4270-1		. PLACARD-ELT 172S	11126	& ON	01 R

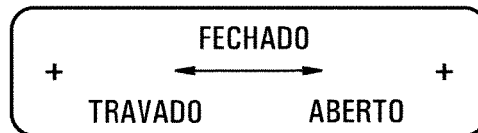
- ITEM NOT ILLUSTRATED

CESSNA AIRCRAFT COMPANY
MODEL 172 (SERIES 1996 AND ON)
ILLUSTRATED PARTS CATALOG

B1450



1
DETAIL A



2
DETAIL B

0510T1007

BRAZILIAN INTERIOR PLACARDS AND MARKINGS - CABIN DOORS
FIGURE 01 (SHEET 1)

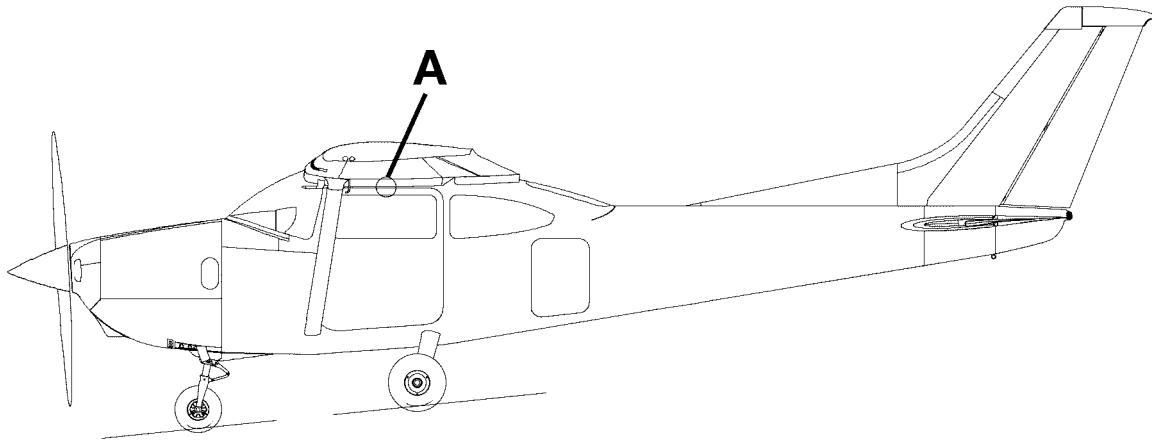
CESSNA AIRCRAFT COMPANY
MODEL 172 (SERIES 1996 AND ON)
 ILLUSTRATED PARTS CATALOG

FIG ITEM	PART NUMBER	1 2 3 4 5 6 7	NOMENCLATURE	UNITS PER ASSY
01			BRAZILIAN INTERIOR PLACARDS AND MARKINGS - CABIN DOORS	
-				
- 1	0705042-15		. PLACARD-LH DOOR OPEN CLOSE LOCK 172R	80638 & ON 01 R
- 1A	0705042-15		. PLACARD-LH DOOR OPEN CLOSE LOCK 172S	08175 & ON 01 R
- 2	0705042-16		. PLACARD-RH DOOR OPEN CLOSE LOCK 172R	80638 & ON 01 R
- 2A	0705042-16		. PLACARD-RH DOOR OPEN CLOSE LOCK 172S	08175 & ON 01 R

- ITEM NOT ILLUSTRATED

CESSNA AIRCRAFT COMPANY
MODEL 172 (SERIES 1996 AND ON)
ILLUSTRATED PARTS CATALOG

B13265



1
DETAIL A

RUSSIAN EXTERIOR PLACARDS AND MARKINGS-CABIN DOOR
FIGURE 01 (SHEET 1)

0511T1024

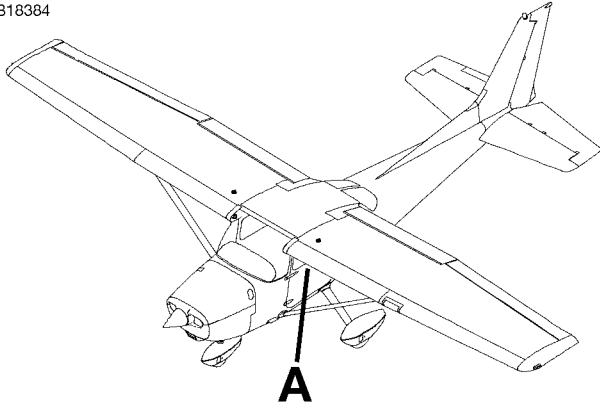
CESSNA AIRCRAFT COMPANY
MODEL 172 (SERIES 1996 AND ON)
 ILLUSTRATED PARTS CATALOG

FIG ITEM	PART NUMBER	1 2 3 4 5 6 7 NOMENCLATURE	UNITS PER ASSY
01		RUSSIAN EXTERIOR PLACARDS AND MARKINGS-CABIN DOOR	
-			
- 1	1205255-1	. PLACARD ASSY-EXIT 172	81347 & ON 02 R
- 2	1205255-1	. PLACARD ASSY-EXIT 172S	10332 & ON 02 R

- ITEM NOT ILLUSTRATED

CESSNA AIRCRAFT COMPANY
MODEL 172 (SERIES 1996 AND ON)
ILLUSTRATED PARTS CATALOG

B18384



PULL TO OPEN
ДЛЯ ОТКРЫТІЯ
ПОТЯНУТЬ S4327-1

1

DETAIL A
(TYPICAL RH DOOR)

0510T1007

UKRAINIAN EXTERIOR PLACARDS AND MARKINGS - CABIN DOOR
FIGURE 01 (SHEET 1)

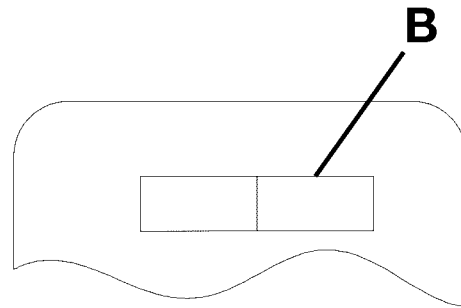
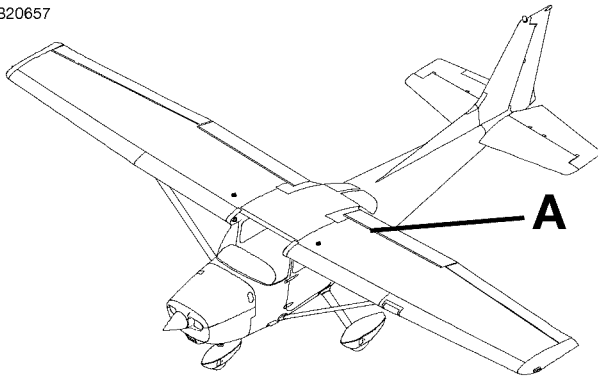
CESSNA AIRCRAFT COMPANY
MODEL 172 (SERIES 1996 AND ON)
 ILLUSTRATED PARTS CATALOG

FIG ITEM	PART NUMBER	1 2 3 4 5 6 7	NOMENCLATURE	UNITS PER ASSY	
01			UKRAINIAN EXTERIOR PLACARDS AND MARKINGS - CABIN DOOR		RF R
-					
1	S4327-1		. PLACARD-DOOR OPEN 172	81604 & ON	02 R
- 1A	S4327-1		. PLACARD-DOOR OPEN 172S	11158 & ON	02 R

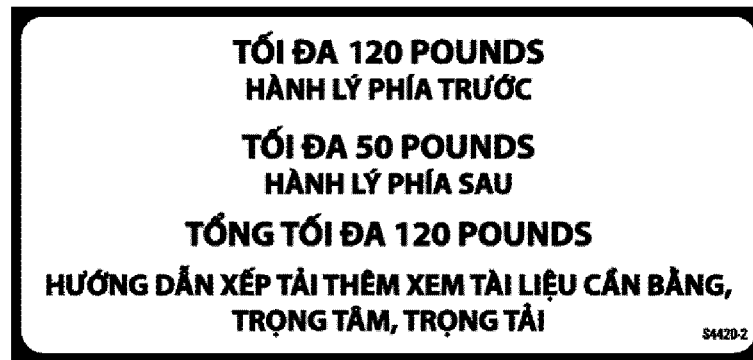
- ITEM NOT ILLUSTRATED

CESSNA AIRCRAFT COMPANY
MODEL 172 (SERIES 1996 AND ON)
ILLUSTRATED PARTS CATALOG

B20657



DETAIL A
VIEW LOOKING OUTBOARD



1
DETAIL B

VIETNAM EXTERIOR PLACARDS AND MARKINGS-FUSELAGE
FIGURE 01 (SHEET 1)

0510T1007
A0501T182-1

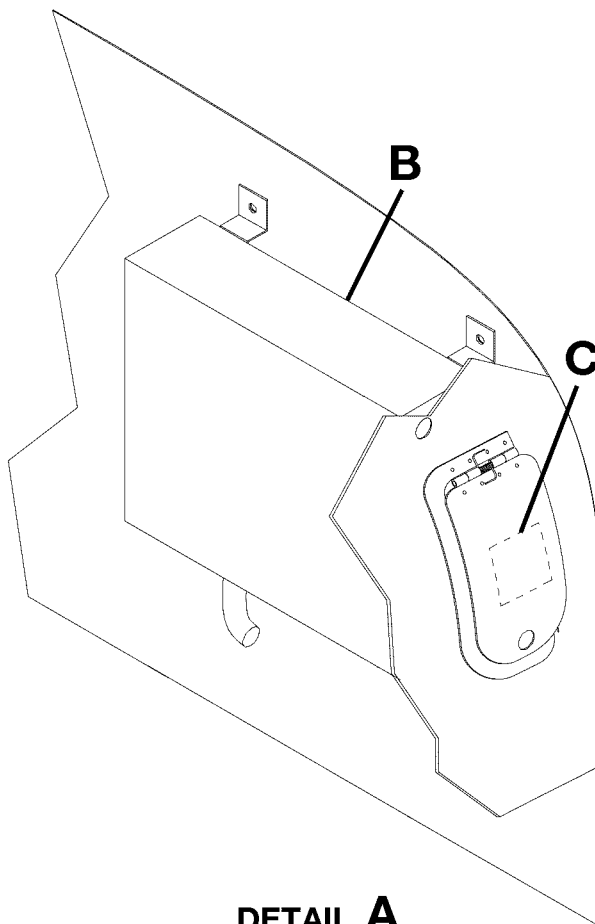
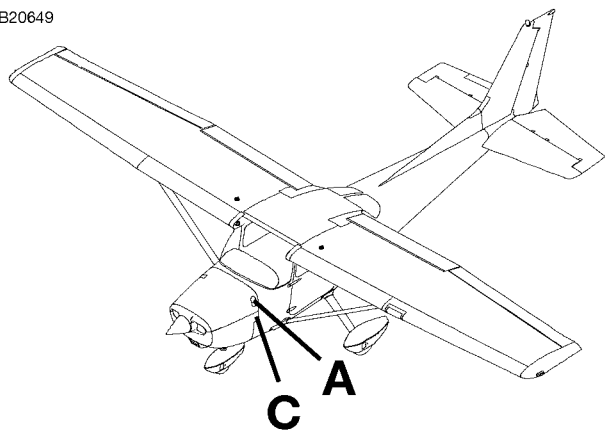
CESSNA AIRCRAFT COMPANY
MODEL 172 (SERIES 1996 AND ON)
 ILLUSTRATED PARTS CATALOG

FIG ITEM	PART NUMBER	1 2 3 4 5 6 7	NOMENCLATURE	UNITS PER ASSY
01				
-			VIETNAM EXTERIOR PLACARDS AND MARKINGS-FUSELAGE	11565 & ON RF R
1	S4420-2		. PLACARD-BAGGAGE	01 R

- ITEM NOT ILLUSTRATED

CESSNA AIRCRAFT COMPANY
MODEL 172 (SERIES 1996 AND ON)
 ILLUSTRATED PARTS CATALOG

B20649



CHÚ Ý ĐIỆN ÁP 24 V MỘT CHIỀU
 TÀU BAY ĐƯỢC TRANG MÁY PHÁT ĐIỆN VÀ HỆ THỐNG
 NỐI ĐẤT THỤ ĐỘNG

QUAN SÁT CẨN THẬN ĐIỆN CỰC
 ĐẢO NGƯỢC CỰC SẼ LÀM HỎNG CÁC THIẾT BỊ ĐIỆN

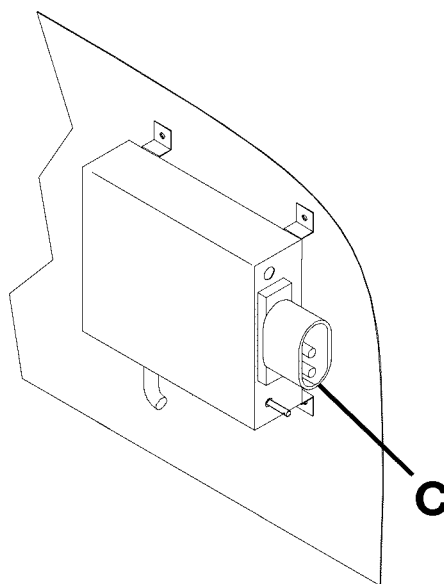
CAUTION 24 VOLTS D.C.
 THIS AIRCRAFT IS EQUIPPED WITH ALTERNATOR AND
 A NEGATIVE GROUND SYSTEM

OBSERVE PROPER POLARITY
 REVERSE POLARITY WILL DAMAGE
 ELECTRICAL COMPONENTS

S4420-3

1
DETAIL C
 TYPICAL

DETAIL A



DETAIL B

0510T1007
 A0558T1001
 B0558T1001

VIETNAM EXTERIOR PLACARDS AND MARKINGS-COWLING
 FIGURE 01 (SHEET 1)

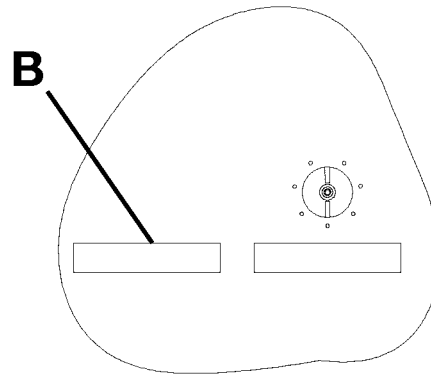
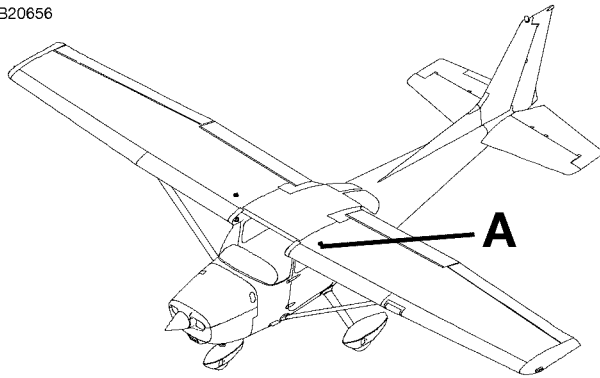
CESSNA AIRCRAFT COMPANY
MODEL 172 (SERIES 1996 AND ON)
 ILLUSTRATED PARTS CATALOG

FIG ITEM	PART NUMBER	1 2 3 4 5 6 7	NOMENCLATURE	UNITS PER ASSY
01				
-			VIETNAM EXTERIOR PLACARDS AND MARKINGS-COWLING	11565 & ON RF R
1	S4420-3		. PLACARD-POLARITY	03 R

- ITEM NOT ILLUSTRATED

CESSNA AIRCRAFT COMPANY
MODEL 172 (SERIES 1996 AND ON)
ILLUSTRATED PARTS CATALOG

B20656



DETAIL A

VIEW LOOKING DOWN AT LH SIDE



1

DETAIL B

VIETNAM EXTERIOR PLACARDS AND MARKINGS-WINGS
FIGURE 01 (SHEET 1)

0510T1007
A0501T182-1

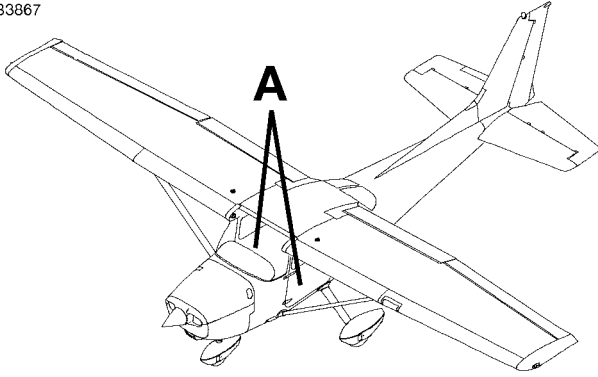
CESSNA AIRCRAFT COMPANY
MODEL 172 (SERIES 1996 AND ON)
 ILLUSTRATED PARTS CATALOG

FIG ITEM	PART NUMBER	NOMENCLATURE	UNITS PER ASSY
01			
-		VIETNAM EXTERIOR PLACARDS AND MARKINGS-WINGS	11565 & ON RF R
1	S4420-1	. PLACARD FUEL	02 R

- ITEM NOT ILLUSTRATED

CESSNA AIRCRAFT COMPANY
MODEL 172 (SERIES 1996 AND ON)
ILLUSTRATED PARTS CATALOG

B3867



NO INSTALAR ASIENTO
MIRANDO HACIA ATRAS
ESTE ASIENTO ESTA CERTIFICADO PARA
MIRAR HACIA ADELANTE SOLAMENTE

0705097-5

1
DETAIL A
ON SEAT FRAME

0510T1007

MEXICAN INTERIOR PLACARDS AND MARKINGS - SEATS
FIGURE 01 (SHEET 1)

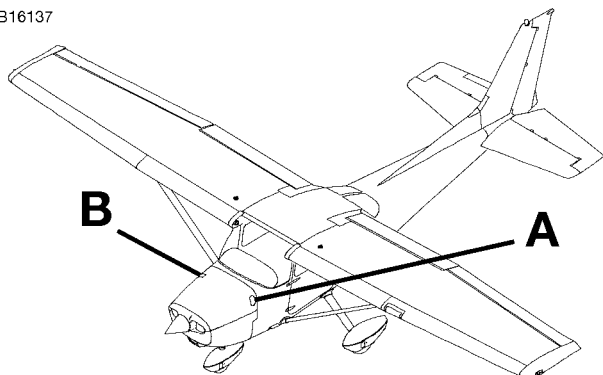
CESSNA AIRCRAFT COMPANY
MODEL 172 (SERIES 1996 AND ON)
 ILLUSTRATED PARTS CATALOG

FIG ITEM	PART NUMBER	1 2 3 4 5 6 7	NOMENCLATURE	UNITS PER ASSY
01			MEXICAN INTERIOR PLACARDS AND MARKINGS - SEATS	
-				
- 1	0705097-5		. PLACARD-SEAT FWD ONLY 172R	81114 & ON 02
- 1A	0705097-5		. PLACARD-SEAT FWD ONLY 172S	09090 & ON 02 R

- ITEM NOT ILLUSTRATED

CESSNA AIRCRAFT COMPANY
MODEL 172 (SERIES 1996 AND ON)
 ILLUSTRATED PARTS CATALOG

B16137



<p>ATENTIE 24 VOLTI C.C. ACEASTA AERONAVA ESTE ECHIPATA CU ALTERNATOR SI MASA COMUNA VERIFICATI POLARITATEA CORECTA INVERSAREA POLARITATII VA DETERIORA COMP. ELECTRICE</p> <hr/> <p>CAUTION 24 VOLTS DC THIS AIRCRAFT IS EQUIPPED WITH ALTERNATOR AND A NEGATIVE GROUND SYSTEM. OBSERVE PROPER POLARITY REVERSE POLARITY WILL DAMAGE ELECTRICAL COMPONENTS.</p> <p style="text-align: right;">1205024-7</p>
--

1
DETAIL A

<p>Cessna ENGINE OIL</p> <p>ALL TEMP. USE MULTIVISC. OR ABOVE 16°C (60°F): SAE 50 -1° C (30°F) TO 32°C (90°F) USE SAE 40 -18°C (0°F) TO 21°C (70°F) USE SAE 30 WHEN OPERATING TEMPERATURES OVERLAP, USE THE LIGHTER GRADE OIL. USE ONLY OIL THAT COMPLIES WITH APPLICABLE PILOT'S HANDBOOK.</p>	<p>Cessna ULEI MOTOR</p> <p>FOLOSITI ULEI MULTIVASC PT. TOATE TEMP SAU PESTE 16°C FOLOSITI SAE 50 -1°C PANA LA 32°C FOLOSITI SAE 40 -18°C (PANA LA 21°C FOLOSITI SAE 30 PT. OPERATIUNI PE INTERVALE SUPRAPUSE DE TEMP. FOLOSITI ULEIUL CU GRAD MAI MIC FOLOSITI NIMAI ULEI ON COMFORTATE CU MANUALUL OPERATIONAL.</p> <p style="text-align: right;">0505048-48</p>
---	--

2
DETAIL B

0510T1007

ROMANIAN EXTERIOR PLACARDS AND MARKINGS - COWLING
 FIGURE 01 (SHEET 1)

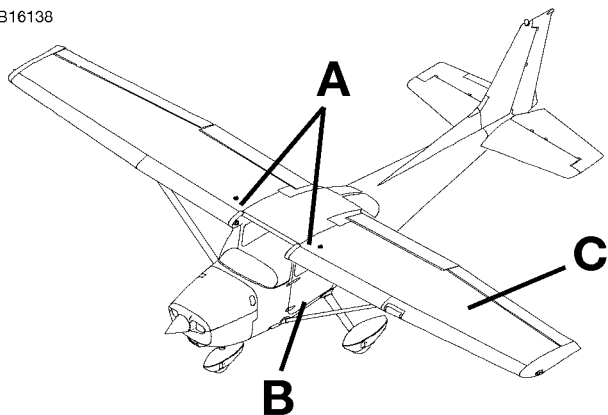
CESSNA AIRCRAFT COMPANY
MODEL 172 (SERIES 1996 AND ON)
 ILLUSTRATED PARTS CATALOG

FIG ITEM	PART NUMBER	1 2 3 4 5 6 7	NOMENCLATURE	UNITS PER ASSY		
01						
-			ROMANIAN EXTERIOR PLACARDS AND MARKINGS - COWLING	81560	& ON	RF
				10971	& ON	
1	1205024-7		. PLACARD-BATTERY			01
- 1A	1205024-7		. PLACARD-BATTERY 172S	10971	11678	01 R
- 1B	S4358-1		. PLACARD-ELECTRICAL 172S	11679	& ON	01 R
2	0505048-48		. PLACARD-ENGINE OIL			01

- ITEM NOT ILLUSTRATED

CESSNA AIRCRAFT COMPANY
MODEL 172 (SERIES 1996 AND ON)
 ILLUSTRATED PARTS CATALOG

B16138



COMBUSTIBIL
BENZINA DE AV. CIFRA OCTANICA 100LL/100 MIN.
CAPACITATE 26.5 U.S. GAL. (100L) UTILIZABIL
CAPACITATE 66L PANA LA BAZA INDICATORULUI
DE UMLERE

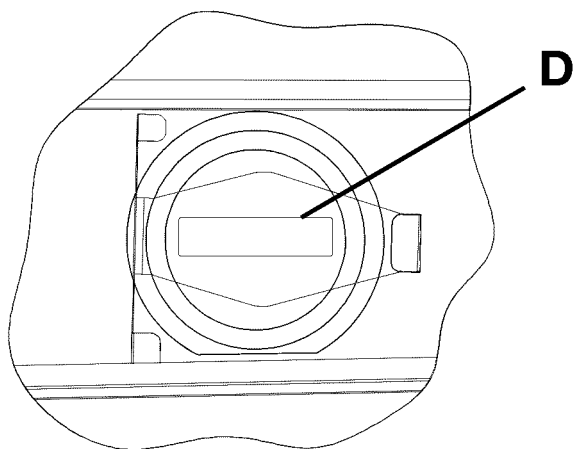
0505094-12

1
DETAIL A

<p style="text-align: center;">FLUX VALVE</p> <p style="text-align: center; font-size: small;">USE NON-MAGNETIC TOOLS AND SCREWS</p>	<p style="text-align: center;">SUPAPA DE SENS</p> <p style="text-align: center; font-size: small;">FOLOSITI NUMAI SCULE SI SURUBURI NEFEROASE</p>
---	--

0505048-49

3
DETAIL D



DETAIL C

LOOKING UP AT BOTTOM OF WING

AVGAS ONLY

NUMAI BENZINA DE AVIATIE


100LL


100

2
DETAIL B

0510T1007
 B0514T1067

ROMANIAN EXTERIOR PLACARDS AND MARKINGS-WINGS
 FIGURE 01 (SHEET 1)

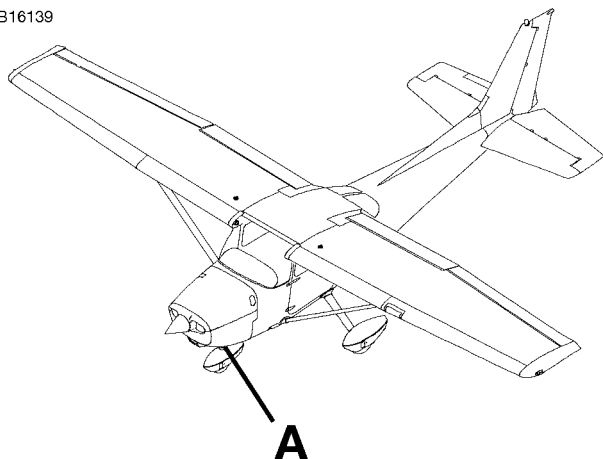
CESSNA AIRCRAFT COMPANY
MODEL 172 (SERIES 1996 AND ON)
 ILLUSTRATED PARTS CATALOG

FIG ITEM	PART NUMBER	1 2 3 4 5 6 7	NOMENCLATURE	UNITS PER ASSY		
01						
-			ROMANIAN EXTERIOR PLACARDS AND MARKINGS-WINGS	81560	& ON	RF R
				10971	& ON	
1	0505094-12		. PLACARD-FUEL CAPACITY			02 R
2	0505048-50		. PLACARD-AVGAS			02 R
3	0505048-49		. PLACARD-FLUX VALVE			01 R

- ITEM NOT ILLUSTRATED

CESSNA AIRCRAFT COMPANY
MODEL 172 (SERIES 1996 AND ON)
ILLUSTRATED PARTS CATALOG

B16139



AMORTIZOR OLEOPNEUMATIC

INSTRUCTIUN DE UMLERE

1. INDEPARTATI CAPACUL SUPAPEI SI ELIBERATI COMPLET AERUL.
2. INDEPARTATI INVELISUL SUPAPEI.
3. COMPRIMATI COMPLET AMORTIZORUL (SE OPRESTE LA CONTACTUL CU BUCSA CILINDRULUI EXTERIOR).
4. NIVELUL ULEIULUI.
 - a. LICHIDUL FOLOSIT TREBUIE SA FIE CONFORM SPECIFICATIILOR MIL-H-5806.
 - b. UMLETI AMORTIZORUL PANA LA PARTEA INF. A ORIFICIULUI DE INSTALARE A SUPAPEI
 - c. MENTIETI NIVELUL ULEIULUI LA PARTEA INF. A ORIFICIULUI DE INSTALARE A SUPAPEI
5. EXTINDETI COMPLET AMORTIZORUL
6. PUNETI LA LOC INVELISUL SUPAPEI
7. CU AMORTIZORUL COMPLET EXTINS SI ROATA DE BOT RIDICATA DE LA SOL. UMFLATI SUPORTUL LA 45 P.S.I.

0543032-4

1

DETAIL A

0510T1007

ROMANIAN EXTERIOR PLACARDS AND MARKINGS-LANDING GEAR
FIGURE 01 (SHEET 1)

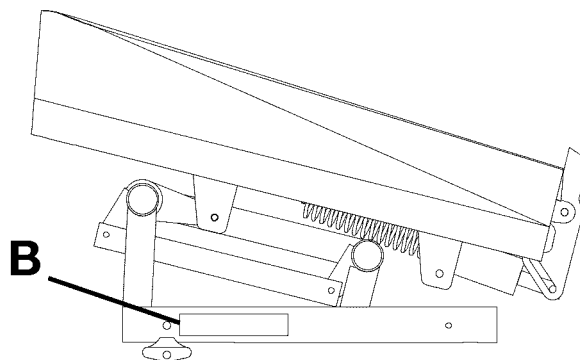
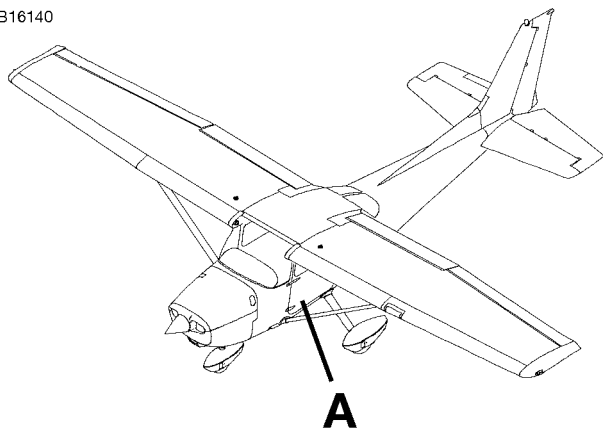
CESSNA AIRCRAFT COMPANY
MODEL 172 (SERIES 1996 AND ON)
 ILLUSTRATED PARTS CATALOG

FIG ITEM	PART NUMBER	1 2 3 4 5 6 7	NOMENCLATURE	UNITS PER ASSY		
01						
-			ROMANIAN EXTERIOR PLACARDS AND MARKINGS-LANDING GEAR	81560	& ON	RF R
				10971	& ON	
1	0543032-4		. PLACARD-NOSE GEAR STRUT			01 R

- ITEM NOT ILLUSTRATED

CESSNA AIRCRAFT COMPANY
MODEL 172 (SERIES 1996 AND ON)
 ILLUSTRATED PARTS CATALOG

B16140



DETAIL A
 VIEW LOOKING INBOARD

DO NOT INSTALL SEAT FACING AFT	NU INSTALATI SCAUNELE CU FATA SPRE SPATE
THIS SEAT IS CERTIFIED FOR FORWARD FACING ONLY	SCAUNUL ESTE CERTIFICAT NUMAI PT. ORIENTAREA SPRE FATA
	0705097-6

1
DETAIL B

0510T1007
 A0514T1068

ROMANIAN INTERIOR PLACARDS AND MARKINGS-SEATS
 FIGURE 01 (SHEET 1)

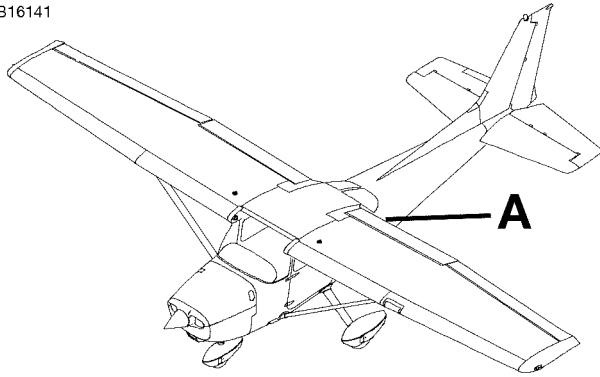
CESSNA AIRCRAFT COMPANY
MODEL 172 (SERIES 1996 AND ON)
 ILLUSTRATED PARTS CATALOG

FIG ITEM	PART NUMBER	1 2 3 4 5 6 7	NOMENCLATURE	UNITS PER ASSY		
01						
-			ROMANIAN INTERIOR PLACARDS AND MARKINGS-SEATS	81560	& ON	RF R
				10971	& ON	
1	0705097-6		. PLACARD-SEAT			02 R

- ITEM NOT ILLUSTRATED

CESSNA AIRCRAFT COMPANY
MODEL 172 (SERIES 1996 AND ON)
 ILLUSTRATED PARTS CATALOG

B16141



120 POUNDS MAXIMUM BAGGAGE FORWARD OF BAGGAGE DOOR LATCH	MAXIMUM 54 KG BAGAJE IN FATA ZAVORULUI USII
50 POUNDS MAXIMUM BAGGAGE AFT OF BAGGAGE DOOR LATCH	MAXIMUM 22 KG BAGAJE IN SPATELE ZAVORULUI USII
MAXIMUM 120 POUNDS COMBINED FOR ADDITIONAL LOADING INSTRUCTIONS SEE WEIGHT AND BALANCE DATA	MAXIMUM 54 KG COMBINAT PT. INSTRUCIUNI SUPLIMENTARE DE INCARCARE VEZI FISA DE CANTARIRE SI CENTRAJ

6705042-6

1

DETAIL A

AFT BAGGAGE COMPARTMENT

0510T1007

ROMANIAN INTERIOR PLACARDS AND MARKINGS-AFT BAGGAGE
 FIGURE 01 (SHEET 1)

CESSNA AIRCRAFT COMPANY
MODEL 172 (SERIES 1996 AND ON)
 ILLUSTRATED PARTS CATALOG

FIG ITEM	PART NUMBER	1 2 3 4 5 6 7	NOMENCLATURE	UNITS PER ASSY		
01						
-			ROMANIAN INTERIOR PLACARDS AND MARKINGS-AFT BAGGAGE	81560	& ON	RF R
				10971	& ON	
1	0505043-8		. PLACARD-AFT BAGGAGE CAPACITY			01 R

- ITEM NOT ILLUSTRATED

CHAPTER

21

AIR CONDITIONING

CESSNA AIRCRAFT COMPANY
MODEL 172 (SERIES 1996 AND ON)
ILLUSTRATED PARTS CATALOG

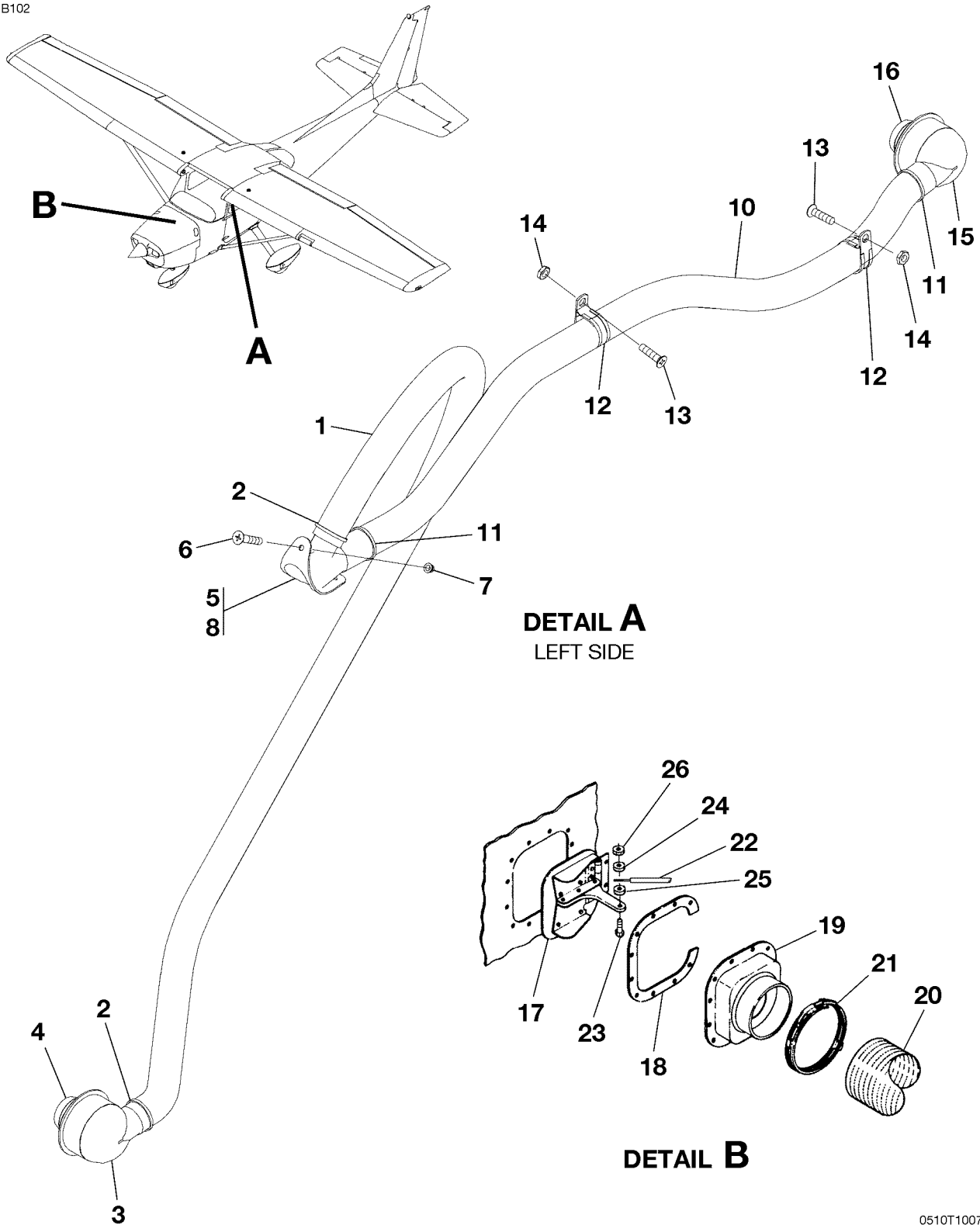
CHAPTER SECTION SUBJECT		NUMBER OF PAGES	DATE
21 - TITLE			
21 - LIST OF EFFECTIVE PAGES			
21 - RECORD OF TEMPORARY REVISIONS			
21 - TABLE OF CONTENTS			
21-20-00	Figure 01	4	Jul 1/2010
21-21-00	Figure 01	2	Dec 6/2004
21-21-00	Figure 01A	2	Jul 1/2010
21-21-00	Figure 02	2	Jan 1/2012
21-40-00	Figure 01	2	Jul 1/2013

CESSNA AIRCRAFT COMPANY
MODEL 172 (SERIES 1996 AND ON)
 ILLUSTRATED PARTS CATALOG

<u>SUBJECT</u>	CHAPTER SECTION SUBJECT	FIGURE	EFFECTIVITY	
			START	END
CABIN VENTILATION SYSTEM	21-20-00	01		
AVIONICS COOLING FAN INSTALLATION	21-21-00	01		
AFT AVIONICS COOLING FAN INSTALLATION-NAV III	21-21-00	01A	81241 09810	& ON & ON
FORWARD AVIONICS COOLING FAN INSTALLATION-NAV III	21-21-00	02		
CABIN HEATING AND DEFROSTING INSTALLATION	21-40-00	01		

CESSNA AIRCRAFT COMPANY
MODEL 172 (SERIES 1996 AND ON)
 ILLUSTRATED PARTS CATALOG

B102



CABIN VENTILATION SYSTEM
 FIGURE 01 (SHEET 1)

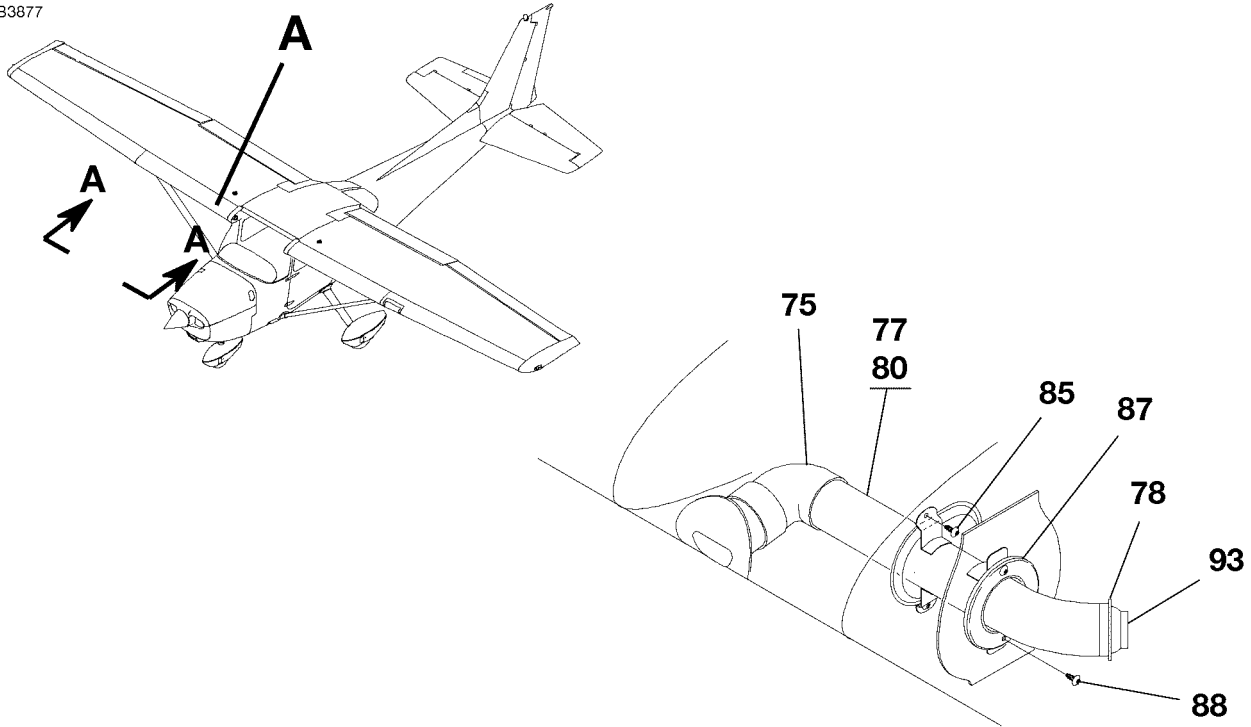
0510T1007
 A0514T1015
 B0514T1017

CESSNA AIRCRAFT COMPANY
MODEL 172 (SERIES 1996 AND ON)
ILLUSTRATED PARTS CATALOG

FIG ITEM	PART NUMBER	NOMENCLATURE	UNITS PER ASSY		
		1 2 3 4 5 6 7			
01		CABIN VENTILATION SYSTEM			RF
-		. DUCT-LH AND RH BKI			02
1	S1053E7T	. STRAP			04
2	MS3367-1-9	. PLENUM CAP ASSY-LH AND RH FSO PC7075-2 172	V83564	80001	80983 NP
3	3642-12	. PLENUM CAP ASSY-LH AND RH FSO PC7075-2 172S	V83564	08001	08703 NP
- 3A	3642-12	. PLENUM CAP ASSY-LH AND RH 172	V1XE65	80984	& ON 02
- 3B	PC7075-2	. PLENUM CAP ASSY-LH AND RH 172S	V1XE65	08704	& ON 02
- 3C	PC7075-2	. AIR VALVE-LH AND RH FSO AV4081-3 172	V83564	80001	80003 NP
4	4319-1	. AIR VALVE-LH AND RH FSO AV4081-3 172S	V83564	80001	80003 NP
- 4A	AV4081-2	. AIR VALVE-LH AND RH FSO AV4080-3 172	V1XE65	80001	80003 NP
- 4B	4319-2	. AIR VALVE-LH AND RH FSO AV4080-3 172S	V83564	80004	80983 NP
- 4C	4319-2	. AIR VALVE-LH AND RH FSO AV4080-3 172S	V83564	08001	08703 NP
- 4D	AV255302-1	. AIR VALVE-LH AND RH FSO AV4080-3 172	V1XE65	80984	81162 NP
- 4E	AV255302-1	. AIR VALVE-LH AND RH FSO AV4080-3 172S	V1XE65	08704	09369 NP
- 4F	AV4080-1	. AIR VALVE-LH AND RH FSO AV4080-3 172	V1XE65	81163	81222 NP
- 4G	AV4080-1	. AIR VALVE-LH AND RH FSO AV4080-3 172S	V1XE65	09370	09677 NP
- 4H	AV4080-2	. AIR VALVE-LH AND RH FSO AV4080-3 172	V1XE65	81223	81373 NP
- 4J	AV4080-2	. AIR VALVE-LH AND RH FSO AV4080-3 172S	V1XE65	09678	10455 NP
- 4K	AV4080-3	. AIR VALVE-LH AND RH 172	V1XE65	81374	& ON 02
- 4L	AV4080-3	. AIR VALVE-LH AND RH 172S	V1XE65	10456	& ON 02
5	0501137-1	. ADAPTER-LH AND RH AIR VENT			02
6	S1022Z8-8	. SCREW AIR VENT ADAPTER ATTACH			02
7	S4214-6	. CLIP NUT AIR VENT ADAPTER ATTACH			02 R
8	0501137-2	. SEAL 172		80001	80983 02
- 8A	0501137-2	. SEAL 172S		08001	08703 02
- 9	0501137-2	. SEAL 172		80983	& ON 01
- 9A	0501137-2	. SEAL 172S		08704	& ON 01
10	S1053E8T	. DUCT-LH AND RH BKI			02
11	MS3367-1-9	. STRAP			04
12	MS21103D16	. CLAMP-LH AND RH			04
13	S1021Z8-10	. SCREW CLAMP ATTACH			02
14	S4215-4	. NUT CLAMP ATTACH			02 R
15	3642-11	. PLENUM CAP ASSY-LH AND RH FSO PC7075-1 172	V83564	80001	80983 NP
- 15A	3642-11	. PLENUM CAP ASSY-LH AND RH FSO PC7075-1 172S	V83564	08001	08703 NP
- 15B	PC7075-1	. PLENUM CAP ASSY-LH AND RH 172	V1XE65	80984	& ON 02
- 15C	PC7075-1	. PLENUM CAP ASSY-LH AND RH 172S	V1XE65	08704	& ON 02
16	4319-1	. AIR VALVE-LH AND RH FSO AV4081-3 172	V83564	80001	80983 NP
- 16A	4319-1	. AIR VALVE-LH AND RH FSO AV4081-3 172S	V83564	08001	08703 NP
- 16B	AV264301-1	. AIR VALVE-LH AND RH FSO AV4081-3 172	V1XE65	80984	81162 NP
- 16C	AV264301-1	. AIR VALVE-LH AND RH FSO AV4081-3 172S	V1XE65	08704	09369 NP
- 16D	AV4081-1	. AIR VALVE-LH AND RH FSO AV4081-3 172	V1XE65	81163	81222 NP
- 16E	AV4081-1	. AIR VALVE-LH AND RH FSO AV4081-3 172S	V1XE65	09370	09677 NP
- 16F	AV4081-2	. AIR VALVE-LH AND RH FSO AV4081-3 172	V1XE65	81223	81373 NP
- 16G	AV4081-2	. AIR VALVE-LH AND RH FSO AV4081-3 172S	V1XE65	09678	10455 NP
- 16H	AV4081-3	. AIR VALVE-LH AND RH 172	V1XE65	81374	& ON 02
- 16J	AV4081-3	. AIR VALVE-LH AND RH 172S	V1XE65	10456	& ON 02
17	0713135-2	. DOOR ASSY-SIDE AIR VENT			01
18	0713140-1	. SEAL			01
19	0713139-3	. INLET ASSY			01
20	S1053E24T	. DUCT 15.0 IN LG BKI			01
21	MS3367-2-9	. STRAP-TIE			02
22	S1241-35	. CONTROL-CABIN AIR			01
23	S2323-5	. CLAMP			01
24	NAS1149F0332P	. WASHER 172		80001	80003 01
- 24A	NAS1149F0332P	. WASHER 172		80004	& ON 02
- 24B	NAS1149F0332P	. WASHER 172S			02
25	NAS1149F0363P	. WASHER 172		80001	80003 01
- 25A	NAS1149F0363P	. WASHER 172S		80004	& ON 02
26	MS21044N3	. NUT			01

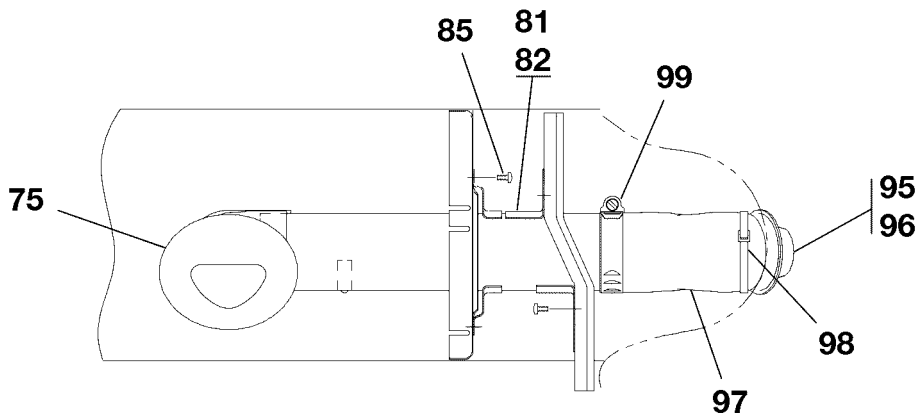
CESSNA AIRCRAFT COMPANY
MODEL 172 (SERIES 1996 AND ON)
 ILLUSTRATED PARTS CATALOG

B3877



DETAIL A

AIRPLANES 17280001 THRU 17280983
 AIRPLANES 172S8001 THRU 172S8703



VIEW A-A

AIRPLANES 17280984 AND ON
 AIRPLANES 172S8704 AND ON

0510T1007
 A0514T1014
 B0519T1088

CABIN VENTILATION SYSTEM
 FIGURE 01 (SHEET 2)

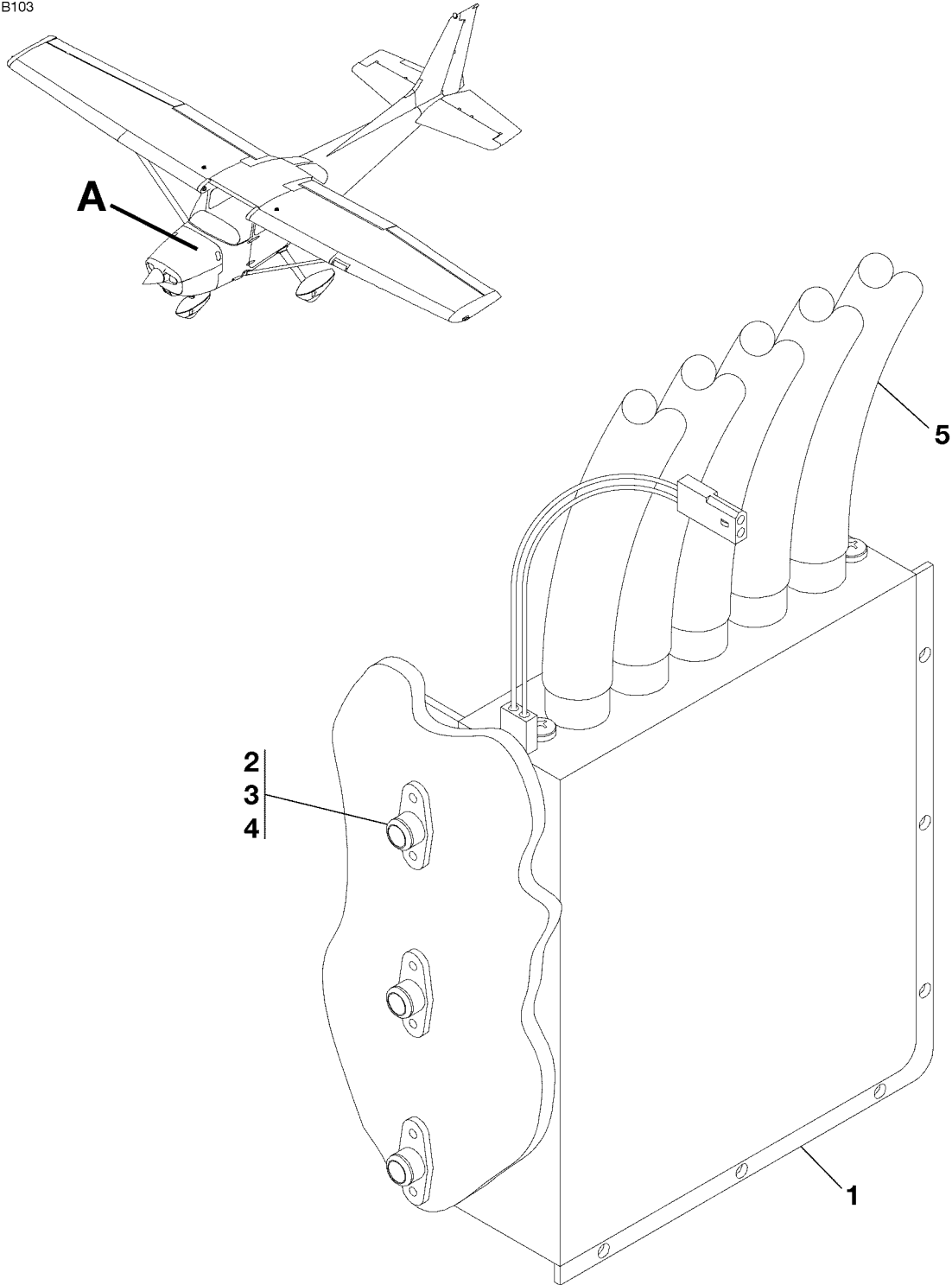
CESSNA AIRCRAFT COMPANY
MODEL 172 (SERIES 1996 AND ON)
ILLUSTRATED PARTS CATALOG

FIG ITEM	PART NUMBER	NOMENCLATURE	UNITS PER ASSY	
	1 2 3 4 5 6 7			
01		. FITTING-AIR REFER TO 57-40-00 FIGURE 01		RF
- 76	0513575-21	. OUTLET DUCT ASSY-LH 172	80001	80708 01
- 76A	0513575-21	. OUTLET DUCT ASSY-LH 172S	08001	08139 01
- 77	0513575-22	. OUTLET DUCT ASSY-RH 172	80001	80708 01
- 77A	0513575-22	. OUTLET DUCT ASSY-RH 172S	08001	08139 01
- 78	2972-3	. . PLENUM ADAPTER-LH AND RH FSO PA7015-1	V83564	NP
- 78A	PA7015-1	. . PLENUM ADAPTER-LH AND RH	V1XE65	02
- 79	0515089-1	. TUBE ASSY-LH 172	80709	80983 01
- 79A	0515089-1	. TUBE ASSY-LH 172S	08140	08703 01
- 80	0515089-2	. TUBE ASSY-RH 172	80709	80983 01
- 80A	0515089-2	. TUBE ASSY-RH 172S	08140	08703 01
- 81	0519021-4	. OUTLET DUCT ASSY LH AND RH 172	80984	81087 02
- 81A	0519021-4	. OUTLET DUCT ASSY LH AND RH 172S	08704	08939 02
- 82	0519021-6	. OUTLET DUCT ASSY LH AND RH 172	81088	& ON 02
- 82A	0519021-6	. OUTLET DUCT ASSY LH AND RH 172S	08940	& ON 02
- 83	0515089-3	. . WATER STOP PLATE 172	80709	& ON 01
- 83A	0515089-3	. . WATER STOP PLATE 172S	08140	& ON 01
- 84	AN515-8R7	. . SCREW-WATER STOP PLATE ATTACH 172	80709	& ON 01
- 84A	AN515-8R7	. . SCREW-WATER STOP PLATE ATTACH 172S	08140	& ON 01
- 85	S1021Z8-10	. . SCREW		02
- 86	0513575-27	. ESCUTCHEON ASSY-LH 172	80001	80983 01
- 86A	0513575-27	. ESCUTCHEON ASSY-LH 172S	08001	08703 01
- 87	0513575-23	. ESCUTCHEON ASSY-RH 172	80001	80983 01
- 87A	0513575-23	. ESCUTCHEON ASSY-RH 172S	08001	08703 01
		ATTACHING PARTS		
- 88	S3928-4-10T	. SCREW 172	80001	80983 02
- 88A	S3928-4-10T	. SCREW 172S	08001	08703 02
- 89	S4213-1	. CLIP NUT 172	80001	80983 02 R
- 89A	S4213-1	. CLIP NUT 172S	08001	08703 02 R
- 90	0515026-4	. . SEAL-LH AND RH		01
- 91	0513575-31	. . SEAL-LH 172		01
- 91A	0513575-31	. . SEAL-LH 172S		01
- 92	0513575-25	. . SEAL-RH 172		01
- 92A	0513575-25	. . SEAL-RH 172S		01
- 93	2247-5	. AIR VALVE-LH AND RH FSO AV4033-1 172	V83564 80001	80983 NP
- 93A	2247-5	. AIR VALVE-LH AND RH FSO AV4033-1 172S	V83564 08001	08703 NP
- 94	AV356201-1	. AIR VALVE-LH AND RH FSO AV4033-1 172	V1XE65 80984	81162 NP
- 94A	AV356201-1	. AIR VALVE-LH AND RH FSO AV4033-1 172S	V1XE65 08704	09369 NP
- 95	AV4033-1	. AIR VALVE-LH AND RH 172	V1XE65 81163	& ON 02
- 95A	AV4033-1	. AIR VALVE-LH AND RH 172S	V1XE65 09370	& ON 02
- 96	PA7015-1	. PLENUM ADAPTER-LH AND RH 172	V1XE65 80984	& ON 02
- 96A	PA7015-1	. PLENUM ADAPTER-LH AND RH 172S	V1XE65 08704	& ON 02
- 97	S1053E16T	. DUCT-LH AND RH 172	80984	& ON 02
- 97A	S1053E16T	. DUCT-LH AND RH 172S	08704	& ON 02
- 98	MS3367-7-9	. STRAP-LH AND RH 172	80984	& ON 02
- 98A	MS3367-7-9	. STRAP-LH AND RH 172S	08704	& ON 02
- 99	S1891-32H	. CLAMP-LH AND RH 172	80984	& ON 02
- 99A	S1891-32H	. CLAMP-LH AND RH 172S	08704	& ON 02

- ITEM NOT ILLUSTRATED

CESSNA AIRCRAFT COMPANY
MODEL 172 (SERIES 1996 AND ON)
ILLUSTRATED PARTS CATALOG

B103



DETAIL A

AVIONICS COOLING FAN INSTALLATION
FIGURE 01 (SHEET 1)

0510T1007
A0518T1026

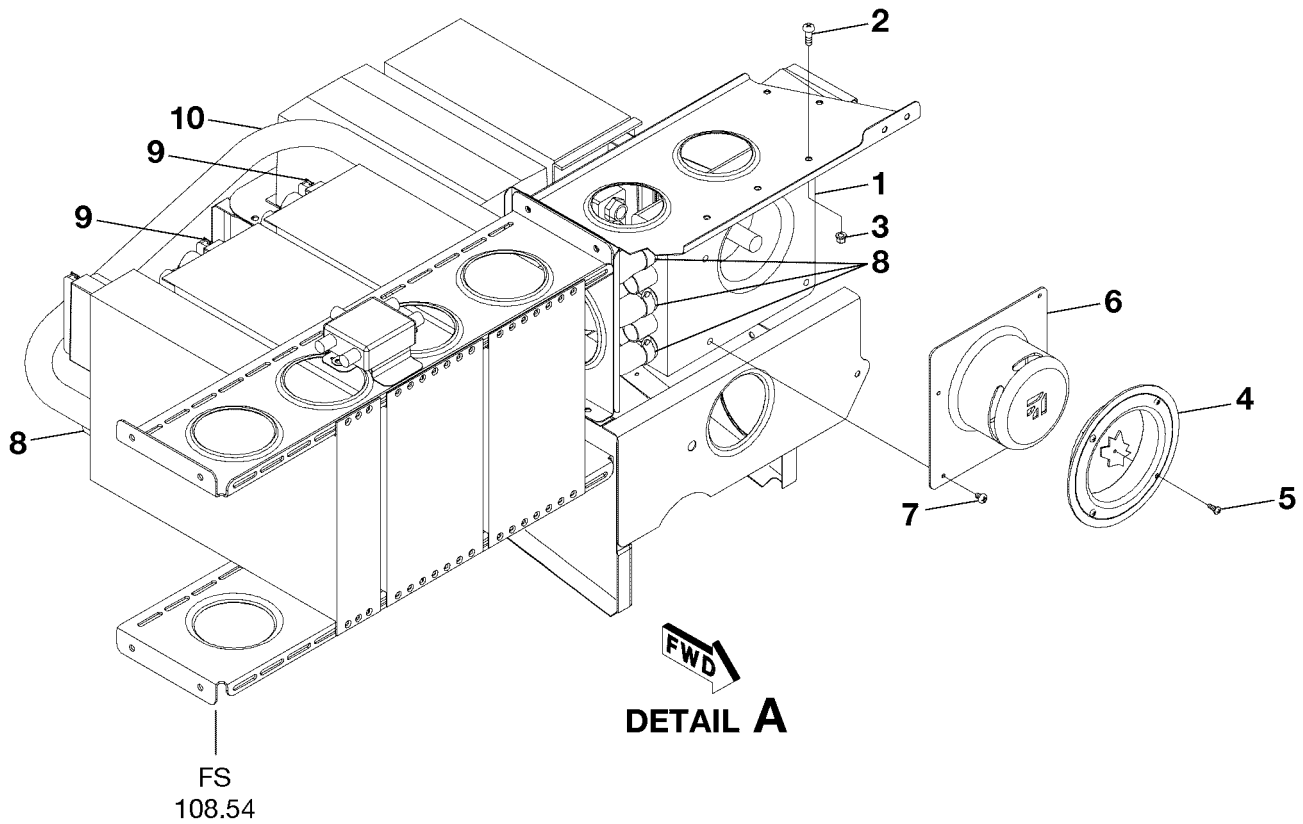
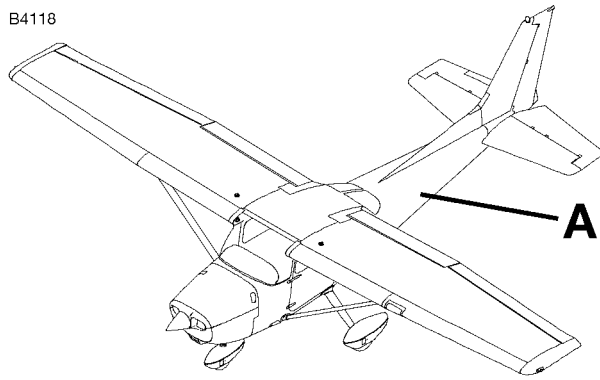
CESSNA AIRCRAFT COMPANY
MODEL 172 (SERIES 1996 AND ON)
 ILLUSTRATED PARTS CATALOG

FIG ITEM	PART NUMBER	1 2 3 4 5 6 7	NOMENCLATURE	UNITS PER ASSY
01			AVIONICS COOLING FAN INSTALLATION	
-			. COOLING FAN VTRAI	RF
1	4000014-002		. ATTACHING PARTS	01
2	MS35206-248		. SCREW	03
3	NAS1149FN816P		. WASHER	03
4	NAS43DD3-42FC		. SPACER	03 R
- 4A	NAS43DD3-42N		. SPACER ALT FOR NAS43DD3-42FC	03 R
			—*—	
5	S1053E5W		. DUCT DUCT BKI	05
- 6	S2357-2S		. CLAMP	04
- 7			. CABLE ASSY AVIONICS FAN REFER TO WIRING DIAGRAM MANUAL	RF R

- ITEM NOT ILLUSTRATED

CESSNA AIRCRAFT COMPANY
MODEL 172 (SERIES 1996 AND ON)
ILLUSTRATED PARTS CATALOG

B4118



AFT AVIONICS COOLING FAN INSTALLATION-NAV III
FIGURE 01A (SHEET 1)

0510T1007
A0518T1129

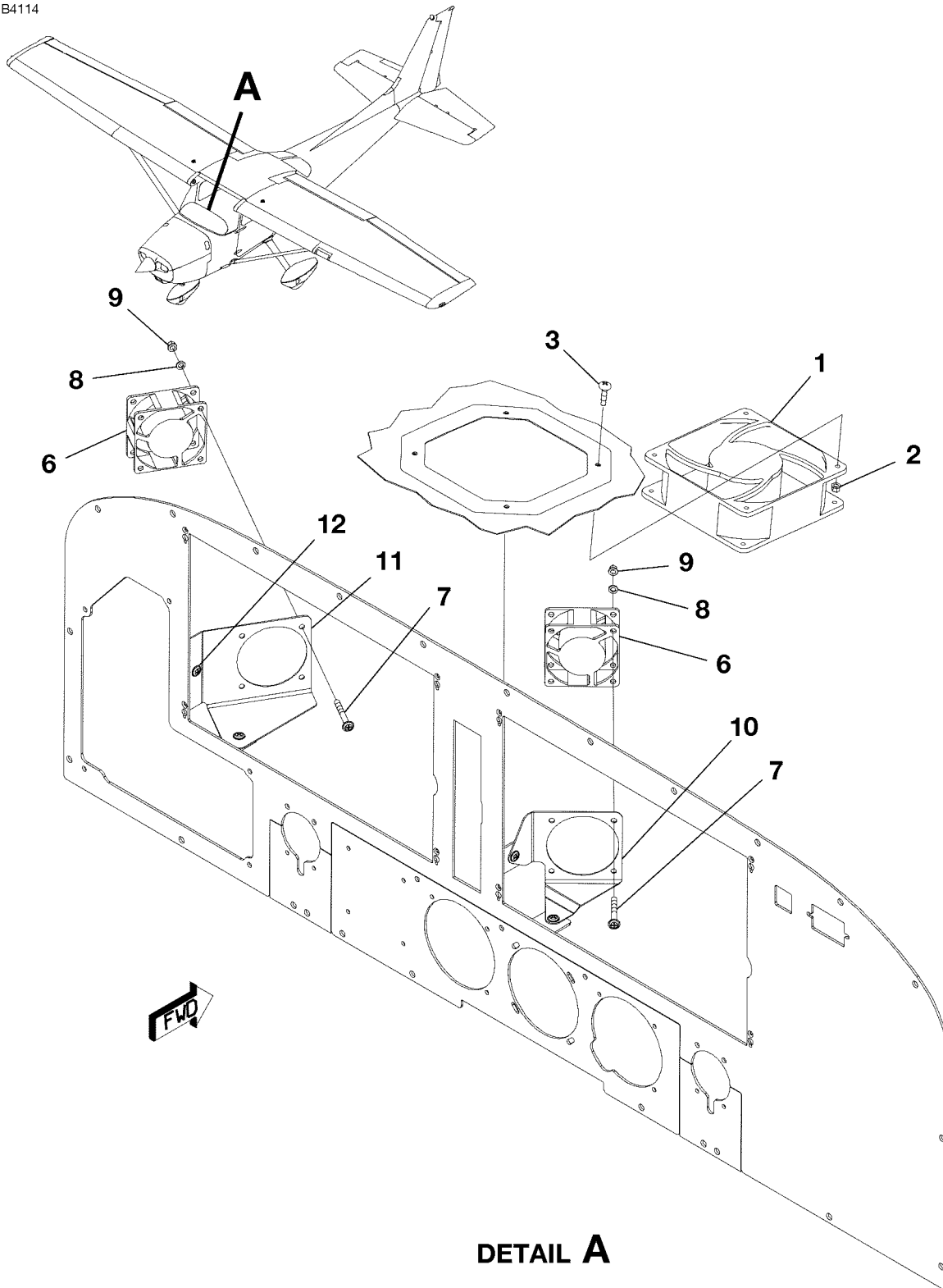
CESSNA AIRCRAFT COMPANY
MODEL 172 (SERIES 1996 AND ON)
 ILLUSTRATED PARTS CATALOG

FIG ITEM	PART NUMBER	NOMENCLATURE	UNITS		
			PER	ASSY	
01A					
-		AFT AVIONICS COOLING FAN INSTALLATION-NAV III	81241	& ON	RF
			09810	& ON	
1	4000014-002	. COOLING FAN ATTACHING PARTS			01
2	MS35206-245	. SCREW			03
3	MS21042-08	. NUT —*—			03
4	3940389-3	. RETAINER ATTACHING PARTS			01
5	S1021A4-8J	. SCREW —*—			04
6	3940389-2	. AFT FAN COVER ATTACHING PARTS			01
7	MS35206-225	. SCREW —*—			04
8	S2357-3	. CLAMP			04 R
9	MS3367-5-0	. STRAP			02 R
10	S1053E5W	. DUCT			AR R

- ITEM NOT ILLUSTRATED

CESSNA AIRCRAFT COMPANY
MODEL 172 (SERIES 1996 AND ON)
ILLUSTRATED PARTS CATALOG

B4114



DETAIL A

0510T1007
A0718T1063A

FORWARD AVIONICS COOLING FAN INSTALLATION-NAV III
FIGURE 02 (SHEET 1)

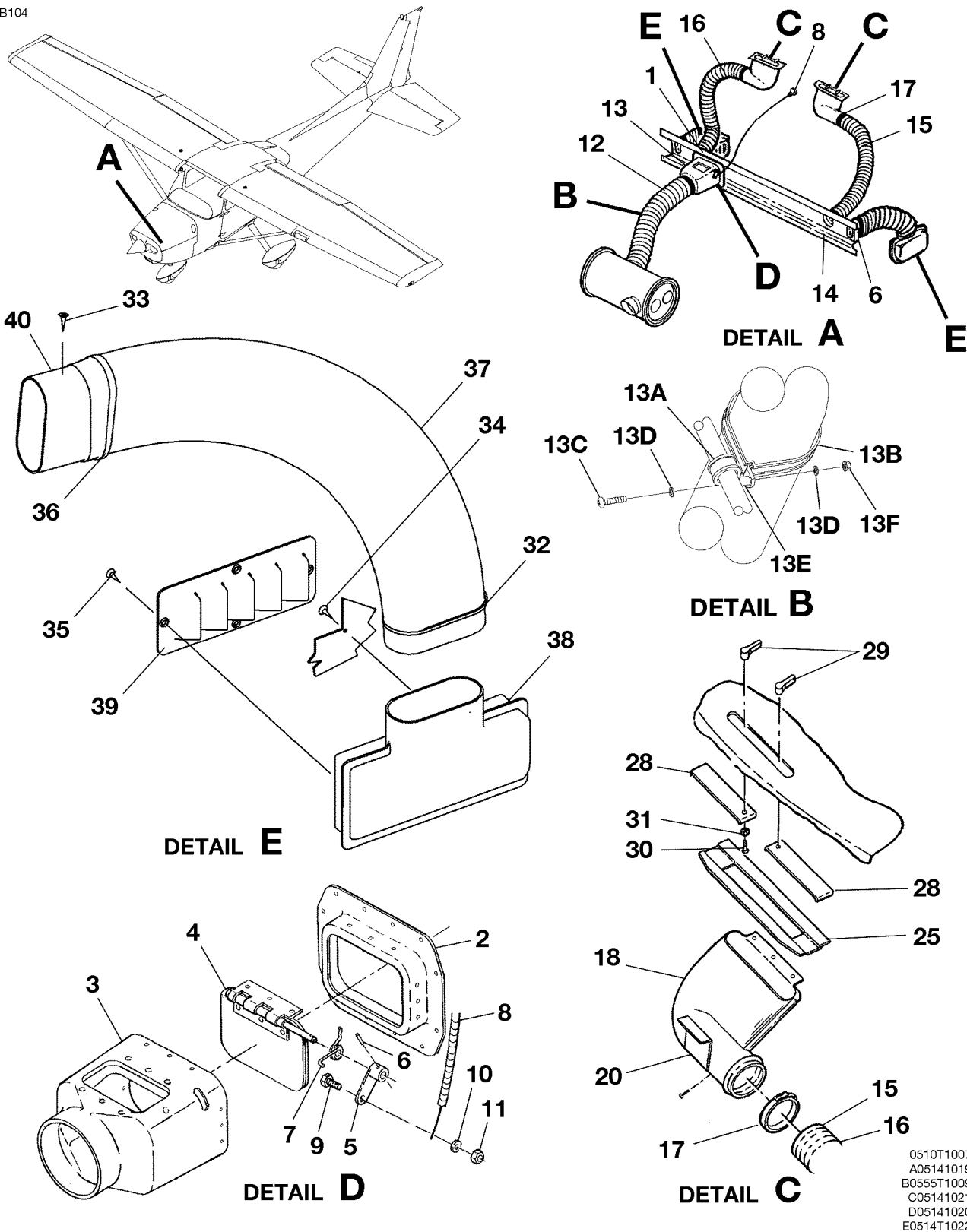
CESSNA AIRCRAFT COMPANY
MODEL 172 (SERIES 1996 AND ON)
ILLUSTRATED PARTS CATALOG

FIG ITEM	PART NUMBER	NOMENCLATURE	UNITS	
			PER	ASSY
02		FORWARD AVIONICS COOLING FAN INSTALLATION-NAV III		RF
-				
1	3925110-4	. COOLING FAN WITH CABLE ASSEMBLY-DECK SKIN 172	81241	81356 01
- 1A	3925110-4	. COOLING FAN WITH CABLE ASSEMBLY-DECK SKIN 172S	09810	10431 01
- 1B	3925118-3	. COOLING FAN WITH CABLE ASSEMBLY-DECK SKIN 172	81357	& ON 01
- 1C	3925118-3	. COOLING FAN WITH CABLE ASSEMBLY-DECK SKIN 172S	10432	& ON 01
- 1D	MC24B3	. . COOLING FAN-DECK SKIN	V82877	01
- 1E	OD1232-24MB	. DC FAN-ALT FOR MC24B3		01 R
		ATTACHING PARTS		
2	MS21042-08	. . NUT		04
3	CM3658-5	. . SCREW		04
		—*—		
- 4	0713847-13	. GRILL		01
- 5	0713535-2	. RETAINER		01
6	FS24B3	. FAN-PRIMARY FLIGHT DISPLAY/MULTIFUNCTION DISPLAY FANS	V82877	02
		ATTACHING PARTS		
7	AN525-832R22	. SCREW		04
8	NAS1149F0332P	. WASHER		04
9	MS21042-08	. NUT		04
		—*—		
10	3930379-4	. BRACKET		01
11	3930379-5	. BRACKET		01
		ATTACHING PARTS		
12	AN525-832R6	. SCREW		02
		—*—		

- ITEM NOT ILLUSTRATED

CESSNA AIRCRAFT COMPANY
MODEL 172 (SERIES 1996 AND ON)
 ILLUSTRATED PARTS CATALOG

B104



CABIN HEATING AND DEFROSTING INSTALLATION
 FIGURE 01 (SHEET 1)

0510T1007
 A05141019
 B0555T1009
 C05141021
 D05141020
 E0514T1022

CESSNA AIRCRAFT COMPANY
MODEL 172 (SERIES 1996 AND ON)
ILLUSTRATED PARTS CATALOG

FIG ITEM	PART NUMBER	NOMENCLATURE	UNITS PER ASSY	
		1 2 3 4 5 6 7		
01		CABIN HEATING AND DEFROSTING INSTALLATION		RF
- 1	0453016-1	. VALVE ASSY-WARM AIR		01
2	0453020-1	. SEAT-WARM AIR VALVE		01
3	0453017-1	. VALVE BODY		01
4	0453018-1	. VALVE PLATE ASSY		01
5	1253037-1	. ARM ASSY		01
		ATTACHING PARTS		
6	NAS561C2-8	. PIN-ROLL		01
- 6A	MS16562-194	. PIN-ROLL ALT FOR NAS561C2-8		01
7	1253041-1	. SPRING		01
		—*—		
8	S1241-52	. CONTROL ASSY-CABIN HEAT		01
		ATTACHING PARTS		
9	S2323-5	. CLAMP		01
10	NAS1149F0332P	. WASHER		01
11	MS21044N3	. NUT		01
		—*—		
12	S1053K24T	. HOSE 27.0 IN LG BKI		01
		ATTACHING PARTS		
13	S1891-48	. CLAMP		02
13A	MS21919WDG12	. CLAMP		01
13B	MS21919WDG48	. CLAMP		01
13C	MS35207-269	. SCREW		01
13D	NAS1149F0332P	. WASHER		02
13E	NAS43HT3-42	. SPACER		01
13F	MS21042L3	. NUT		01
		—*—		
14		. DUCT ASSY-HEATER REFER TO 53-10-01 FIGURE 01		RF
15	S1053E16T24.0	. HOSE BKI		01
16	S1053E16T24.0	. HOSE BKI-RH 172	80001 80983	01
- 16A	S1053E16T24.0	. HOSE BKI-RH 172S	08001 08703	01
- 16B	S1053E16T18.0	. HOSE BKI-RH 172	80001 80984	01
- 16C	S1053E16T18.0	. HOSE BKI-RH 172S	08001 08703	01
- 16D	S1053E16T31.0	. HOSE BKI-RH 172S	09810 10655	01
		ATTACHING PARTS		
17	S1891-32H	. CLAMP REPLACES S1891-32		02
		—*—		
- 17A	S1742-1	. STA-STRAP 172	80001 81233	03
- 17B	S1742-1	. STA-STRAP 172S	08001 09770	03
- 17C	NAS1149DN432K	. WASHER		03
18	0513386-1	. NOZZLE ASSY-LH DEFROSTER		01
- 19	0513386-10	. NOZZLE ASSY-RH DEFROSTER 172	80001 80983	01
- 19A	0513386-10	. NOZZLE ASSY-RH DEFROSTER 172S	08001 08703	01
- 19B	0513580-2	. NOZZLE ASSY-RH DEFROSTER 172	80984 & ON	01
- 19C	0513580-2	. NOZZLE ASSY-RH DEFROSTER 172S	08704 & ON	01
20	0513386-7	. BRACKET-LH DEFROSTER NOZZLE		01
- 21	0513386-8	. BRACKET-RH DEFROSTER NOZZLE		01
- 21A	NAS1149DN232K	. WASHER		02
		ATTACHING PARTS		
- 22	S1021Z4-6C	. SCREW		04
- 23	S1021Z4-4C	. SCREW		02
- 24	S4215-1	. NUT		04
		—*—		
25	0513267-1	. VALVE GUIDE		01
- 26	0713019-113	. VALVE ASSY-LH		02
- 27	0713019-112	. VALVE ASSY-RH		02
28	0713019-111	. VALVE		01
29	S2198-3	. KNOB ASSY		01
		ATTACHING PARTS		
30	AN515-6R4	. SCREW FSO MS35206-226		NP R
- 30A	MS35206-226	. SCREW		02 R
31	MS35333-37	. WASHER		02
		—*—		
32	MS3367-2-9	. TIE		02
33	S1021A6-6	. SCREW		02
34	S1022A6-8	. SCREW		04
35	S1023A4-10J	. SCREW		08
36	S1891-32H	. CLAMP		02
37	S1110ET	. DUCT 20.0 IN LG BKI		02
38	0501136-1	. HEAT OUTLET-0501134-1 & 0501134-12 USED TOGETHER FOR ALT		02
39	0501136-2	. LOUVERED BEZEL-0501134-9 & 0501134-10 USED TOGETHER FOR ALTERNATE		02
40	0513238-1	. UNION ASSY		02
- 41		. FUSELAGE FRONT AND CENTER SECTION REFER TO 53-10-00 FIGURE 02		RF

- ITEM NOT ILLUSTRATED

CHAPTER

22

AUTO FLIGHT

CESSNA AIRCRAFT COMPANY
MODEL 172 (SERIES 1996 AND ON)
ILLUSTRATED PARTS CATALOG

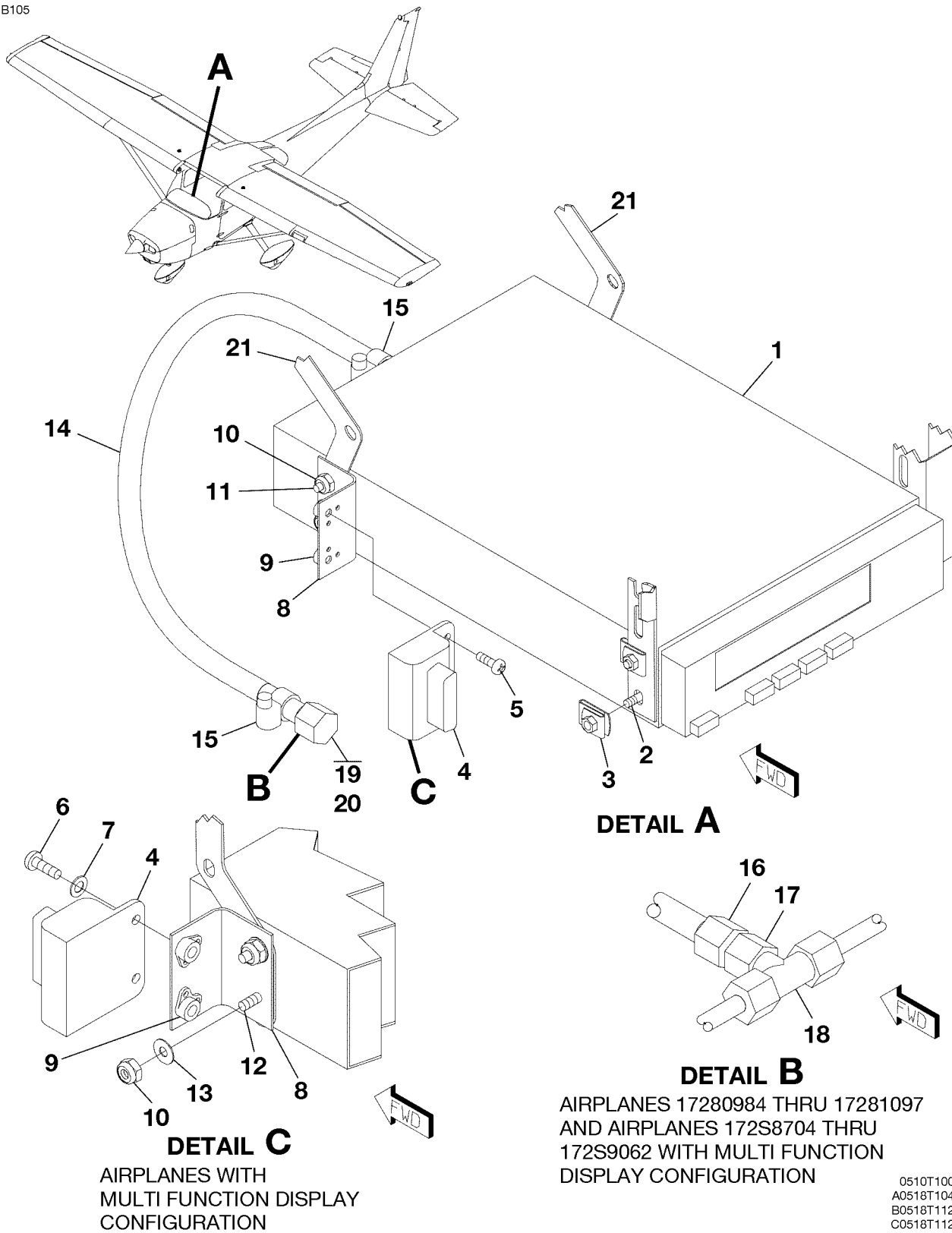
CHAPTER SECTION SUBJECT		NUMBER OF PAGES	DATE
22 - TITLE			
22 - LIST OF EFFECTIVE PAGES			
22 - RECORD OF TEMPORARY REVISIONS			
22 - TABLE OF CONTENTS			
22-10-00	Figure 01	8	Jan 1/2012
22-10-00	Figure 01A	2	Jan 1/2012
22-10-00	Figure 02	2	Jan 1/2012
22-10-00	Figure 02A	2	Jul 1/2013
22-10-00	Figure 03	2	Jan 1/2012

CESSNA AIRCRAFT COMPANY
MODEL 172 (SERIES 1996 AND ON)
 ILLUSTRATED PARTS CATALOG

<u>SUBJECT</u>	<u>CHAPTER SECTION SUBJECT</u>	<u>FIGURE</u>	<u>EFFECTIVITY</u>	
			<u>START</u>	<u>END</u>
AUTOPILOT INSTALLATION KAP & KC-140	22-10-00	01		
AUTOPILOT INSTALLATION-NAV III KAP-140	22-10-00	01A	81241 09810	& ON & ON
ROLL SERVO INSTALLATION	22-10-00	02	81497 10656	81572 11071
ROLL SERVO INSTALLATION	22-10-00	02A	81573 11072	& ON & ON
GFC-700 PITCH AND TRIM SERVO	22-10-00	03	81497 10656	& ON & ON

CESSNA AIRCRAFT COMPANY
MODEL 172 (SERIES 1996 AND ON)
 ILLUSTRATED PARTS CATALOG

B105



DETAIL C
 AIRPLANES WITH
 MULTI FUNCTION DISPLAY
 CONFIGURATION

DETAIL B
 AIRPLANES 17280984 THRU 17281097
 AND AIRPLANES 172S8704 THRU
 172S9062 WITH MULTI FUNCTION
 DISPLAY CONFIGURATION

0510T1007
 A0518T1045
 B0518T1123
 C0518T1122

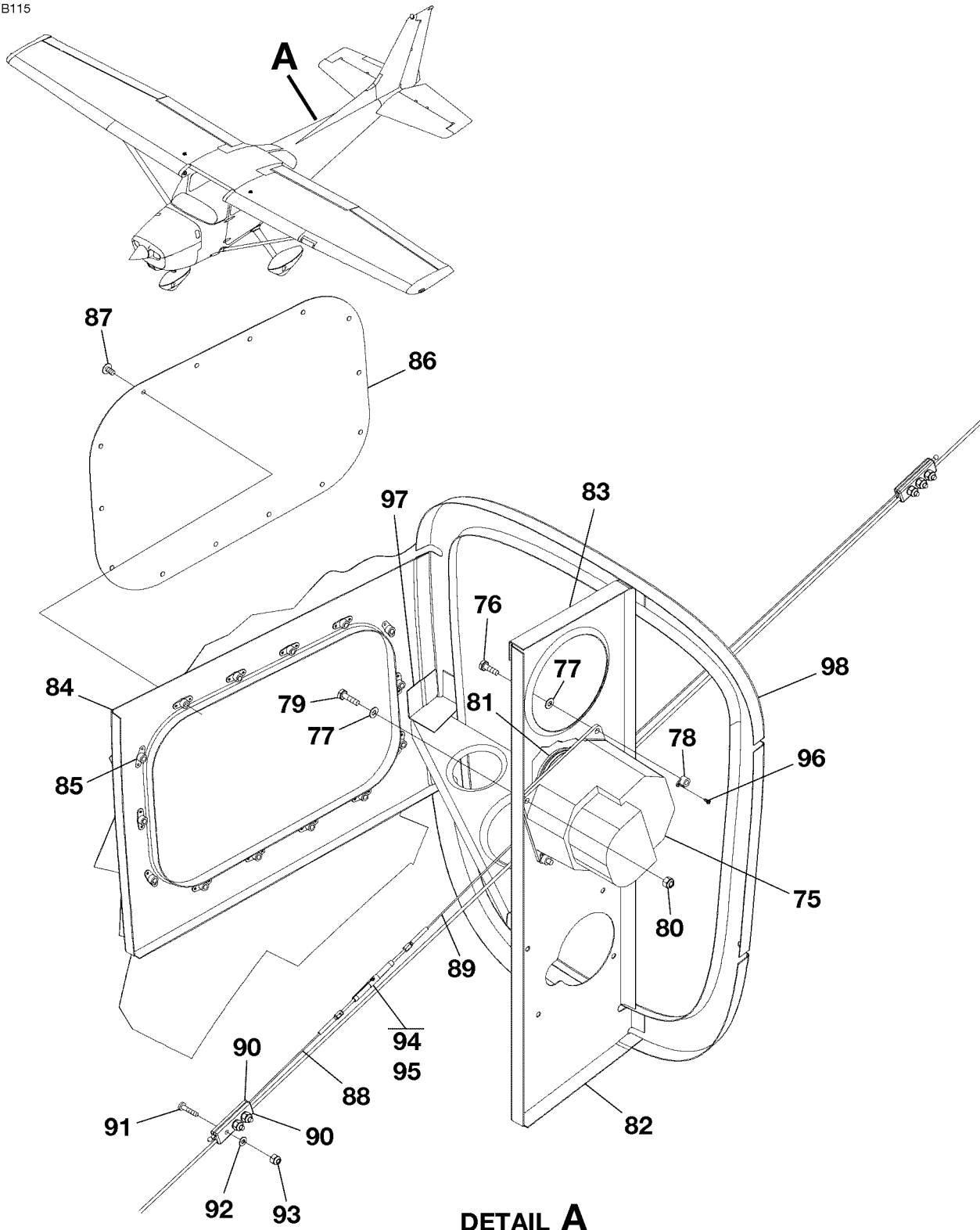
AUTOPILOT INSTALLATION KAP & KC-140
 FIGURE 01 (SHEET 1)

CESSNA AIRCRAFT COMPANY
MODEL 172 (SERIES 1996 AND ON)
ILLUSTRATED PARTS CATALOG

FIG ITEM	PART NUMBER	NOMENCLATURE	UNITS	
			PER	ASSY
01		AUTOPILOT INSTALLATION KAP & KC-140		RF R
-				
1	065-00176-2501	. KC-140-AUTOPILOT SINGLE AXIS 172 V22373	80001	80139 01
- 1A	S3100-83	. AUTOPILOT-KC140 SINGLE AXIS 172S V22373	08001	08347 01
- 1B	S3100-83	. AUTOPILOT-KC140 SINGLE AXIS 172 V22373	80140	80830 01
- 1C	065-00176-2602	. KAP-140 AUTOPILOT SINGLE AXIS 172S V22373	08348	08703 01
- 1D	065-00176-2602	. KAP-140 AUTOPILOT SINGLE AXIS 172 V22373	80831	80983 01
- 1E	065-00176-5402	. KAP-140 AUTOPILOT DUAL AXIS 172S V22373	08348	08703 01
- 1F	065-00176-7702	. KAP-140 AUTOPILOT DUAL AXIS W/ COMP ALT 172S V22373	08704	08761 01
- 1G	065-00176-7702	. KAP-140 AUTOPILOT DUAL AXIS W/COMP ALT 172 V22373	80984	81009 01
- 1H	S3100-218	. KAP-140 AUTOPILOT DUAL AXIS (MOD 5 & ON) 172S V22373	08762	09128 01
- 1J	S3100-218	. KAP-140 AUTOPILOT DUAL AXIS (MOD 5 & ON) 172 V22373	81010	81118 01
- 1K	065-00176-7703	. KAP-140 AUTOPILOT DUAL AXIS 172 V22373	81119	81173 01
- 1L	065-00176-7703	. KAP-140 AUTOPILOT DUAL AXIS 172S V22373	09129	09422 01
- 1M	065-00176-7904	. KAP-140 AUTOPILOT DUAL AXIS 172 V22373	81174	81198 01
- 1N	065-00176-7904	. KAP-140 AUTOPILOT DUAL AXIS 172S V22373	09423	09549 01
- 1P	S3100-323	. KAP-140 AUTOPILOT DUAL AXIS (MOD 6 & ON) 172 V22373	81199	& ON 01
- 1Q	S3100-323	. KAP-140 AUTOPILOT DUAL AXIS (MOD 6 & ON) 172S V22373	09550	& ON 01
2	MS24693-S27	. SCREW		04
3	S1477-06	. NUT		04
4	071-00073-5000	. CONFIGURATION MODULE 172 V22373		01
		ATTACHING PARTS		
5	MS35206-229	. SCREW		02
6	MS35206-228	. SCREW 172	80984	& ON 02
- 6A	MS35206-228	. SCREW 172S	08704	& ON 02
7	NAS1149CN616R	. WASHER 172	80984	& ON 02
- 7A	NAS1149CN616R	. WASHER 172S	08704	& ON 02
		—*—		
8	1270101-1	. SUPPORT ASSY		01
9	MS21073L06	. NUTPLATE		02
		ATTACHING PARTS		
10	MS21044N06	. NUT		02
11	MS24693-S28	. SCREW		02
12	MS24693-S26	. SCREW 172	80984	& ON 02
- 12A	MS24693-S26	. SCREW 172S	08704	& ON 02
13	NAS1149CN616R	. WASHER 172	80984	& ON 02
- 13A	NAS1149CN616R	. WASHER 172S	08704	& ON 02
		—*—		
14	M5593-3	. HOSE-WITH DUAL AXIS AUTOPILOT 172	80984	& ON 01
- 14A	M5593-3	. HOSE-WITH DUAL AXIS AUTOPILOT 172S	08348	& ON 01
15	S2357-1	. CLAMP-WITH DUAL AXIS AUTOPILOT 172	80984	& ON 02
- 15A	S2357-1	. CLAMP-WITH DUAL AXIS AUTOPILOT 172S	08348	& ON 02
16	AS5194D0302	. ADAPTER-WITH DUAL AXIS AUTOPILOT 172	80984	81097 01
- 16A	AS5194D0302	. ADAPTER-WITH DUAL AXIS AUTOPILOT 172S	08704	09062 01
17	MS27404-3D	. FITTING-WITH DUAL AXIS AUTOPILOT 172	80984	81097 01
- 17A	MS27404-3D	. FITTING-WITH DUAL AXIS AUTOPILOT 172S	08704	09062 01
18	277-P-04X02	. TEE-WITH DUAL AXIS AUTOPILOT 172 V13174	80984	81097 01
- 18A	277-P-04X02	. TEE-WITH DUAL AXIS AUTOPILOT 172S V13174	08704	09062 01
19	S1481-1	. COUPLING-WITH DUAL AXIS AUTOPILOT 172	80984	& ON 01
- 19A	S1481-1	. COUPLING-WITH DUAL AXIS AUTOPILOT 172S	08348	& ON 01
20	S2502-4	. FITTING-WITH DUAL AXIS AUTOPILOT 172	80984	& ON 01
- 20A	S2502-4	. FITTING-WITH DUAL AXIS AUTOPILOT 172S	08348	& ON 01
21		. SUPPORT STRAP REFER TO 53-22-00 FIGURE 01		RF

CESSNA AIRCRAFT COMPANY
MODEL 172 (SERIES 1996 AND ON)
ILLUSTRATED PARTS CATALOG

B115



DETAIL A

AUTOPILOT INSTALLATION KAP & KC-140
FIGURE 01 (SHEET 2)

0510T1007
A0560T1021

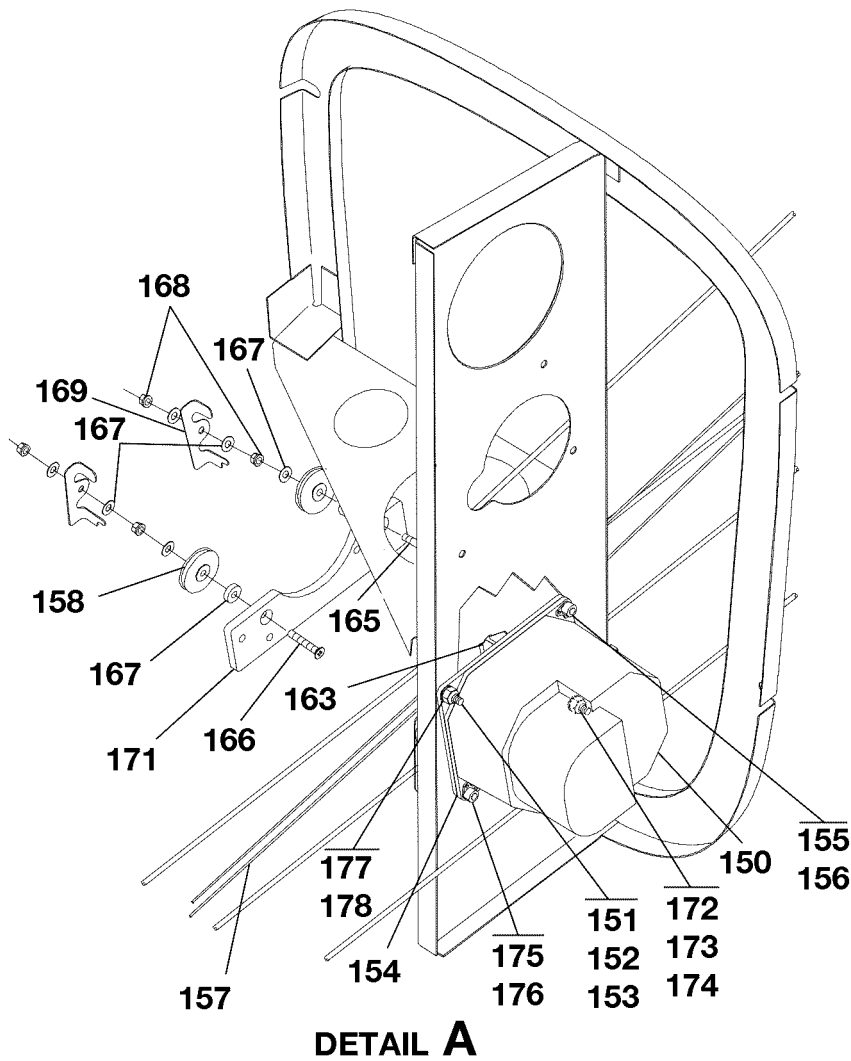
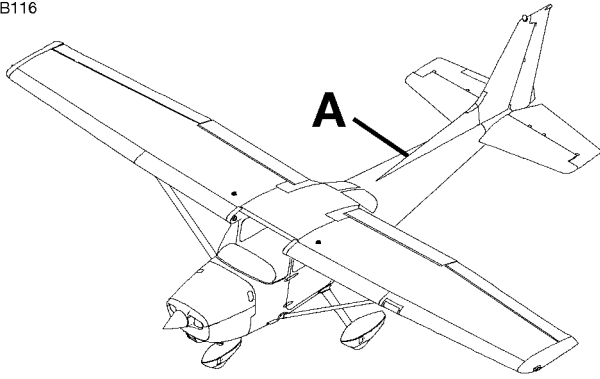
CESSNA AIRCRAFT COMPANY
MODEL 172 (SERIES 1996 AND ON)
ILLUSTRATED PARTS CATALOG

FIG ITEM	PART NUMBER	NOMENCLATURE	UNITS	
			PER	ASSY
01				
75	065-00178-2200	. KS-270C PITCH SERVO 172S V22373	08348	08422 01
- 75A	S3100-180	. KS-270C PITCH SERVO REF 065-00178-2200 MOD 3 & ON 172	80888	81110 01
- 75B	S3100-180	. KS-270C PITCH SERVO REF 065-00178-2200 MOD 3 & ON 172S	08423	09068 01
- 75C	S3100-253	. KS-270C PITCH SERVO REF 065-00178-2200 MOD 5 & ON 172	81111	81222 01
- 75D	S3100-253	. KS-270C PITCH SERVO REF 065-00178-2200 MOD 5 & ON 172S	09069	09660 01
- 75E	S3100-347	. KS-270C PITCH SERVO REF 065-00178-2200 MOD 8 & ON 172	81223	& ON 01
- 75F	S3100-347	. KS-270C PITCH SERVO REF 065-00178-2200 MOD 8 & ON 172S	09661	& ON 01
76	AN3-5A	. BOLT		02
77	NAS1149F0363P	. WASHER		04
78	MS21055L3	. NUTPLATE		02
79	AN3-6A	. BOLT		02
80	MS21044N3	. NUT		02
81	065-00030-0000	. MOUNT		01
- 81A	065-0030-00	. MOUNT-ALT FOR 065-00030-0000		01
82	0501146-1	. BRACKET		01
83	0501146-3	. BRACKET		01
84	0501146-5	. DOOR DOUBLER ASSY		01
85	MS21047L3	. NUTPLATE		14
86	0501146-7	. DOOR		01
		. ATTACHING PARTS		
87	AN525-10R6	. SCREW		14
		. *		
88	0501146-8	. CABLE ASSY-PITCH SERVO		01
89	0501146-9	. CABLE ASSY-PITCH SERVO		01
90	0501146-10	. CLAMP BLOCK		04
91	MS27039-0812	. SCREW		06
92	NAS1149CN816B	. WASHER		06
93	MS21044N08	. NUT		06
94	MS21251-B2S	. TURNBUCKLE BARREL		01
95	MS21256-1	. CLIP		02
96	MS35206-202	. SCREW		04
97	0501146-4	. CLIP		01
98		. BULKHEAD REFER TO 53-20-00 FIGURE 01		RF

- ITEM NOT ILLUSTRATED

CESSNA AIRCRAFT COMPANY
MODEL 172 (SERIES 1996 AND ON)
 ILLUSTRATED PARTS CATALOG

B116



AUTOPILOT INSTALLATION KAP & KC-140
 FIGURE 01 (SHEET 3)

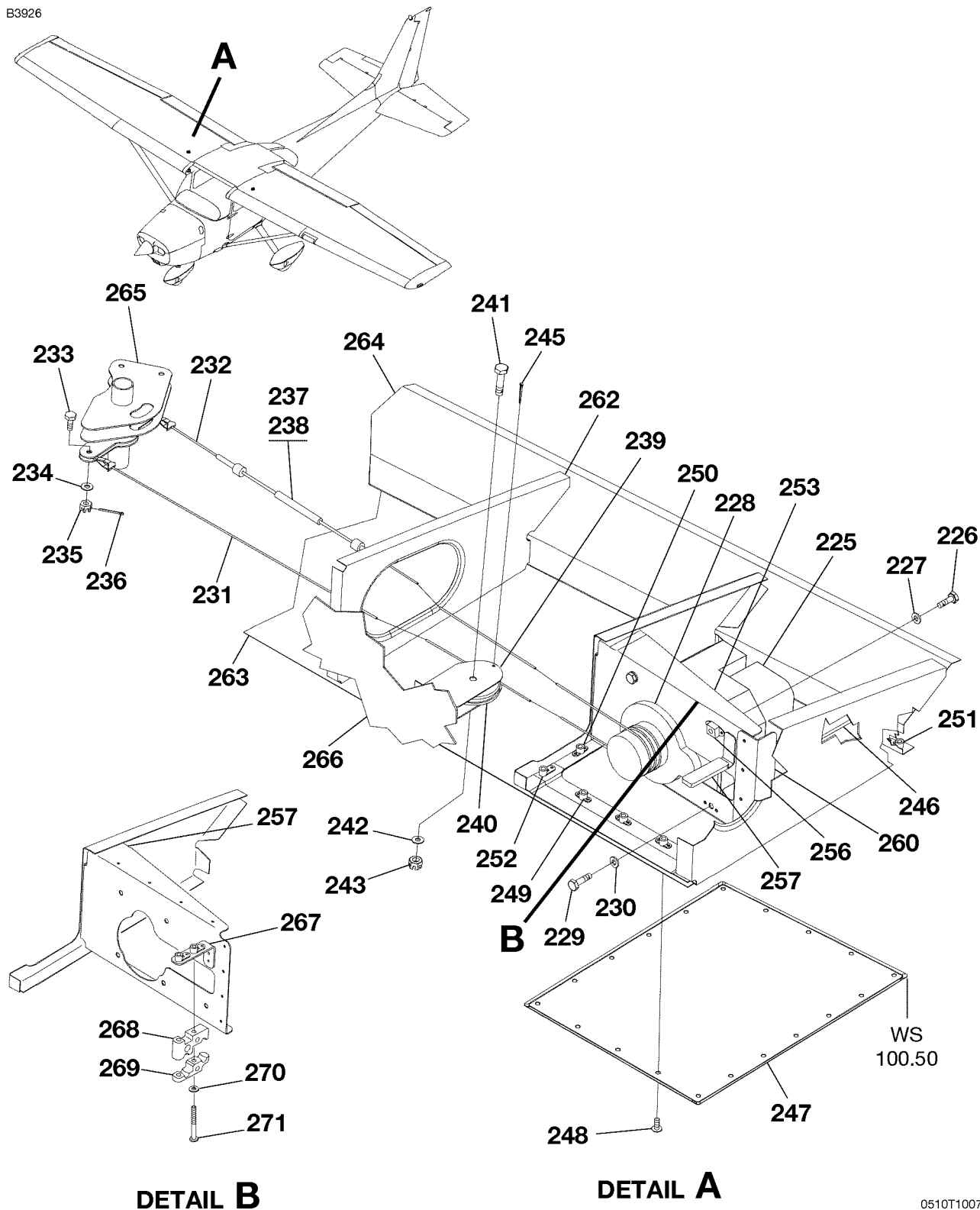
0510T1007
 A0560T1020

CESSNA AIRCRAFT COMPANY
MODEL 172 (SERIES 1996 AND ON)
ILLUSTRATED PARTS CATALOG

FIG ITEM	PART NUMBER	NOMENCLATURE	UNITS	
			PER	ASSY
01				
150	065-00180-0400	. KS-272C PITCH TRIM SERVO 172S V22373	08001	8422 01
- 150A	S3100-183	. KS-272C PITCH TRIM SERVO REF 065-00180-0400 MOD 3 & ON 172	80888	81109 01
- 150B	S3100-183	. KS-272C PITCH TRIM SERVO REF 065-00180-0400 MOD 3 & ON 172S	08423	09062 01
- 150C	S3100-256	. KS-272C PITCH TRIM SERVO REF 065-00180-0400 MOD 5 & ON 172	81110	81222 01
- 150D	S3100-256	. KS-272C PITCH TRIM SERVO REF 065-00180-0400 MOD 5 & ON 172S	09063	09660 01
- 150E	S3100-351	. KS-272C PITCH TRIM SERVO REF 065-00180-0400 MOD 7 & ON 172	81223	& ON 01
- 150F	S3100-351	. KS-272C PITCH TRIM SERVO REF 065-00180-0400 MOD 7 & ON 172S	09661	& ON 01
		ATTACHING PARTS		
151	AN3-5A	. BOLT		01
152	NAS1149F0363P	. WASHER		02
153	MS21044N3	. NUT		01
		—*—		
154	065-00030-0002	. SERVO MOUNT V22373		01
		ATTACHING PARTS		
155	AN3-6A	. BOLT		01
156	NAS1149F0363P	. WASHER		01
		—*—		
157	0501154-5	. CABLE ASSY		01
158	S378-1	. PULLEY		01
		ATTACHING PARTS		
- 159	AN3-10A	. BOLT		01
- 160	NAS1149F0332P	. WASHER		01
- 161	MS21044N3	. NUT		01
- 162	MS24665-136	. COTTER PIN		01
		—*—		
163	0501154-7	. BRACKET-PULLEY		01
- 164	0501154-1	. IDLER PLATE ASSY-PITCH TRIM FSO 0501154-11 172	80984	81233 NP
- 164A	0501154-1	. IDLER PLATE ASSY-PITCH TRIM FSO 0501154-11 172S	08348	09770 NP
- 164B	0501154-11	. IDLER PLATE ASSY-PITCH TRIM 172	81233	& ON 01
- 164C	0501154-11	. IDLER PLATE ASSY-PITCH TRIM 172S	09771	& ON 01
165	MS24694-S60	. SCREW 172	80984	81233 01
- 165A	MS24694-S60	. SCREW 172S	08348	09770 01
- 165B	MS24694-S60	. SCREW 172	81234	& ON 01
- 165C	MS24694-S60	. SCREW 172S	09771	& ON 01
166	MS24694-S59	. SCREW 172	80984	81233 01
- 166A	MS24694-S59	. SCREW 172S	08348	09770 01
- 166B	MS24694-S59	. SCREW 172	81234	& ON 01
- 166C	MS24694-S59	. SCREW 172S	09771	& ON 01
167	NAS1149C0316R	. WASHER		02
168	MS21042L3	. NUT		02
- 168A	NAS1291-3	. NUT ALT FOR MS21042L3		02
169	0501154-10	. CABLE GUARD-AFT 172	81234	& ON 01
- 169A	0501154-10	. CABLE GUARD-AFT 172S	09771	& ON 01
- 170	0501154-6	. CABLE GUARD 172	80984	81233 02
- 170A	0501154-6	. CABLE GUARD 172S	08348	09770 02
- 170B	0501154-6	. CABLE GUARD-AFT 172	81234	& ON 01
- 170C	0501154-6	. CABLE GUARD-AFT 172S	09771	& ON 01
171	0501154-2	. IDLER PLATE		01
172	AN3-7A	. BOLT		01
173	NAS1149F0363P	. WASHER		01
174	MS21044N3	. NUT		01
175	AN3-10A	. BOLT		01
176	NAS1149F0363P	. WASHER		01
177	MS21055L3	. NUTPLATE		02
178	MS35206-202	. SCREW		04

CESSNA AIRCRAFT COMPANY
MODEL 172 (SERIES 1996 AND ON)
 ILLUSTRATED PARTS CATALOG

B3926



DETAIL B

DETAIL A

0510T1007
 A0560T1015
 B0560T1015

AUTOPILOT INSTALLATION KAP & KC-140
 FIGURE 01 (SHEET 4)

CESSNA AIRCRAFT COMPANY
MODEL 172 (SERIES 1996 AND ON)
ILLUSTRATED PARTS CATALOG

FIG ITEM	PART NUMBER	NOMENCLATURE	UNITS PER ASSY
		1 2 3 4 5 6 7	
01			
225	065-00179-0300	. ROLL SERVO C172-KS271C 172 V22373 80001 80887	01
- 225A	065-00179-0300	. ROLL SERVO C172-KS271C 172S V22373 08001 08422	01
- 225B	S3100-182	. ROLL SERVO C172-KS271C MOD 4 & ON 172 V22373 80888 81113	01
- 225C	S3100-182	. ROLL SERVO C172-KS271C MOD 4 & ON 172S V22373 08423 09086	01
- 225D	S3100-255	. ROLL SERVO KS-271C MOD 7 & ON 172 81114 81222	01
- 225E	S3100-255	. ROLL SERVO KS-271C MOD 7 & ON 172S 09087 09660	01
- 225F	S3100-349	. ROLL SERVO KS271C MOD 9 & ON 172 81223 & ON	01
- 225G	S3100-349	. ROLL SERVO KS271C MOD 9 & ON 172S 09661 & ON	01
		ATTACHING PARTS	
226	AN3-5A	. BOLT	02
227	NAS1149F0363P	. WASHER	02
		—*—	
228	065-00030-0000	. MOUNT V22373	01
- 228A	065-0030-00	. MOUNT ALT FOR 065-0030-0000 V22373	01
		ATTACHING PARTS	
229	AN3-6A	. BOLT	02
230	NAS1149F0363P	. WASHER	02
		—*—	
231	0522647-3	. CABLE ASSY	01
232	0522647-2	. CABLE ASSY	01
		ATTACHING PARTS	
233	NAS1103-4D	. BOLT	02
234	NAS1149F0332P	. WASHER	02
235	MS17825-3	. NUT	02
236	MS24665-132	. COTTER PIN	02
		—*—	
237	MS21251B2L	. TURNBUCKLE	01
238	MS21256-2	. CLIP	02
239	1200183-2	. BRACKET 80001 81572	01 R
240	S378-3L	. PULLEY	01
		ATTACHING PARTS	
241	AN4-10	. BOLT	01
242	NAS1149F0416P	. WASHER	01
243	MS21042L4	. NUT	01
		—*—	
- 244		. DELETED-NOT USED	
245	MS24665-285	. COTTER PIN	01
246	S2606-1	. MOUNT	01
247	0522648-4	. COVER PLATE	01
		ATTACHING PARTS	
248	AN525-832R7	. SCREW	19
249	MS21069L08K	. NUTPLATE	03
250	MS21069L08	. NUTPLATE	12
251	MS21071L08	. NUTPLATE	02
252	MS21071L08K	. NUTPLATE	02
		—*—	
253	0522647-13	. BRACKET ASSY 172	01 R
- 254	0522647-16	. ANGLE	01
- 255	S3528-5D	. ANCHOR ASSEMBLY	01
256	MS21060L3	. NUTPLATE 172	02 R
- 256B	NAS1791C3-1	. NUTPLATE-ALT FOR MS21060L3	02
- 256C	NAS686C3M	. NUTPLATE-ALT FOR MS21060L3	02
257	0522647-10	. FAIRLEAD ASSY	01 R
- 258	0522647-11 SUPPORT	01 R
- 259	0522647-12 FAIRLEAD	01 R
260	0522647-15	. BRACKET	01
- 261	0522648-3	. DOUBLER	01
262		. RIB REFER TO 57-10-00 FIGURE 01	RF
263		. SKIN REFER TO 57-11-00 FIGURE 01	RF
264		. AILERON AUX SPAR REFER TO 57-10-01 FIGURE 01	RF
265		. BELLCRANK REFER TO 27-10-00 FIGURE 03	RF
266		. REAR SPAR REFER TO 57-10-01 FIGURE 01	RF
267	0722709-6	. BRACKET ASSY REFER TO NOTE 1 AND NOTE 2	01 R
268	0722709-8	. FAIRLEAD REFER TO NOTE 2	01 R
- 268A	0560101-2	. FAIRLEAD REFER TO NOTE 1	01 R
269	0722709-9	. FAIRLEAD REFER TO NOTE 2	01 R
- 269A	0560101-1	. FAIRLEAD REFER TO NOTE 1	01 R
270	NAS1149FN832P	. WASHER REFER TO NOTE 1 AND NOTE 2	02 R
271	MS27039-0824	. SCREW REFER TO NOTE 1 AND NOTE 2	02 R

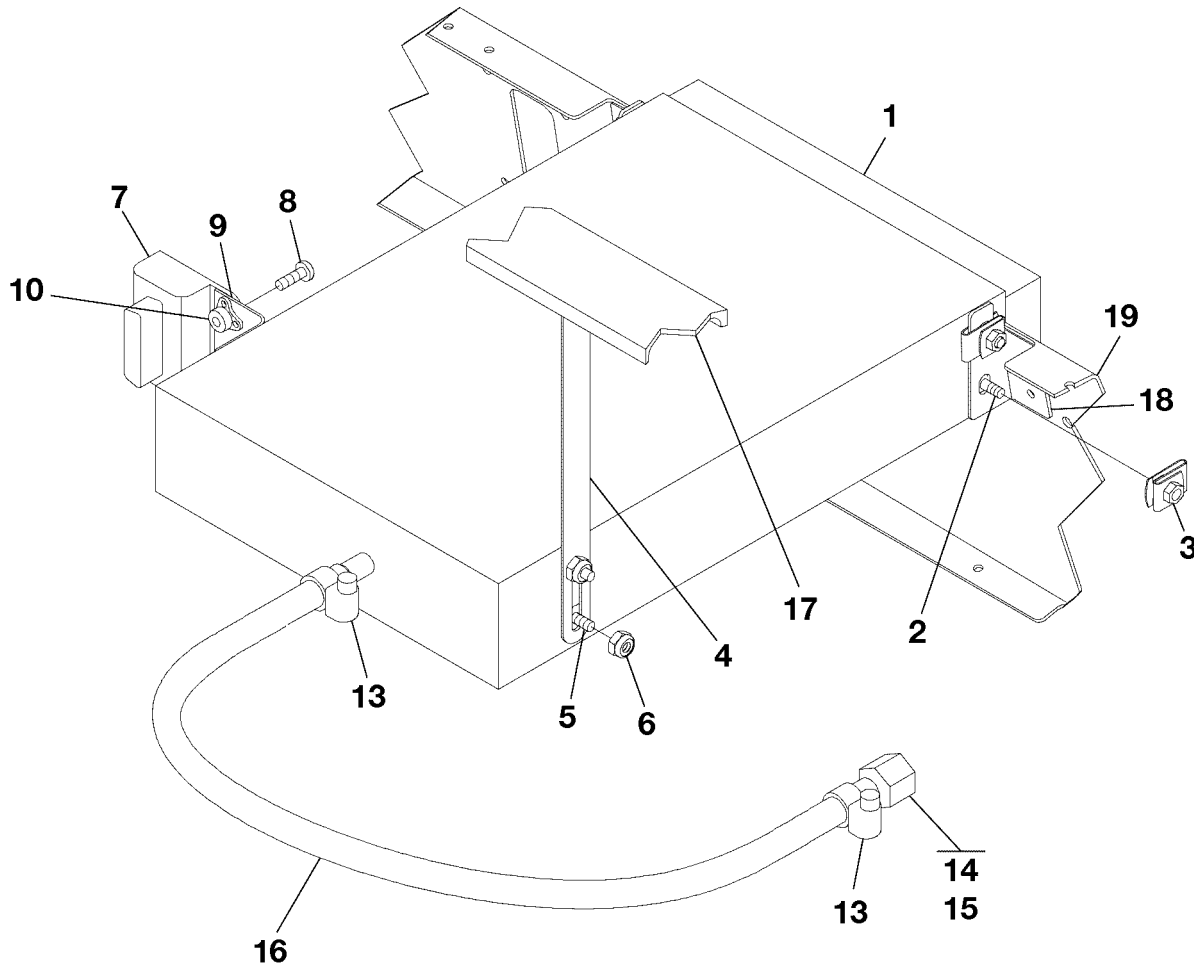
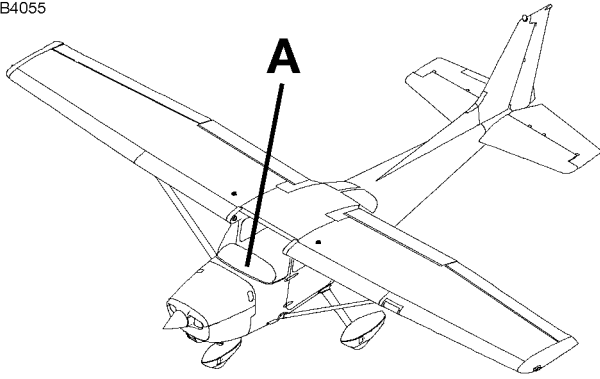
NOTE 1—AIRPLANES 17280001 THRU 17281572 AND AIRPLANES 172S08001 THRU 172S11071 INCORPORATING MK172-27-02 R

NOTE 2—AIRPLANES 17281573 THRU 17281577 AND AIRPLANES 172S11072 THRU 172S11084 INCORPORATING MK172-27-02 R

- ITEM NOT ILLUSTRATED

CESSNA AIRCRAFT COMPANY
MODEL 172 (SERIES 1996 AND ON)
ILLUSTRATED PARTS CATALOG

B4055



DETAIL A

AUTOPILOT INSTALLATION-NAV III KAP-140
FIGURE 01A (SHEET 1)

0510T1007
A0518T1124

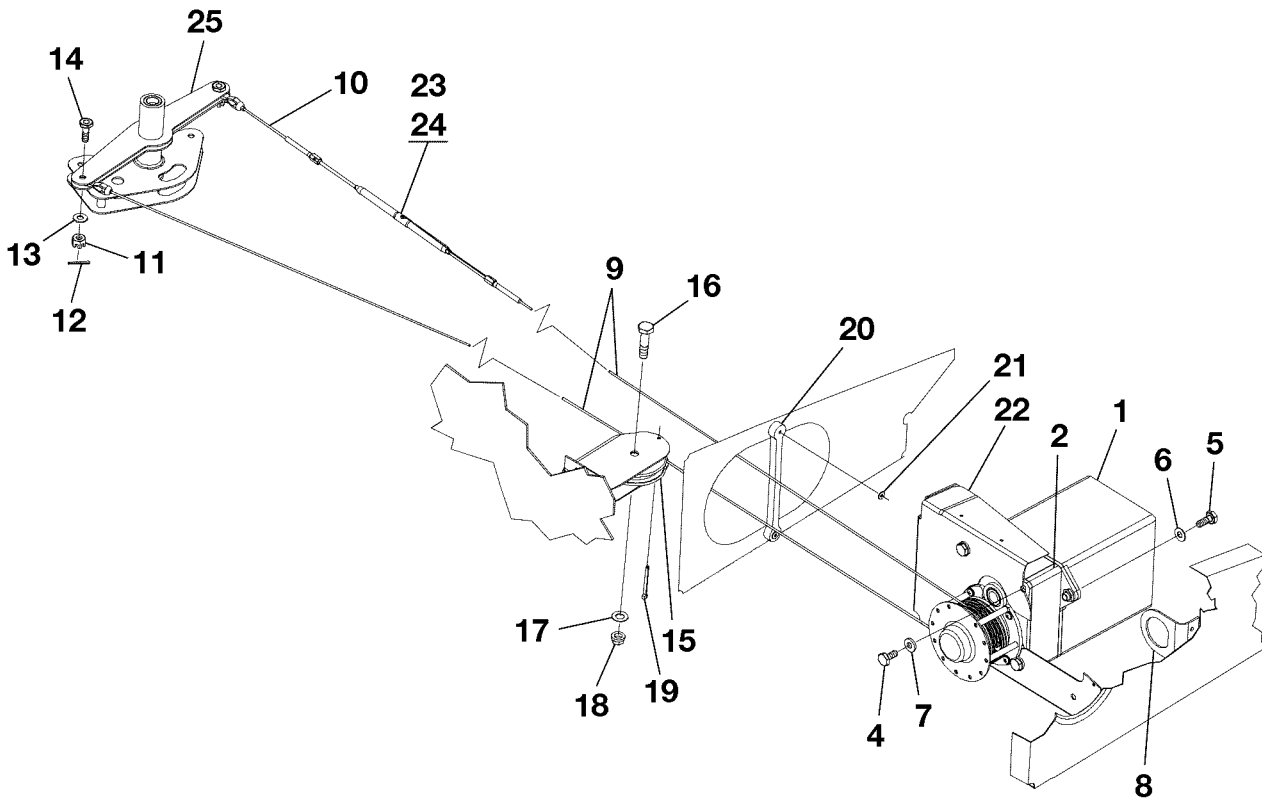
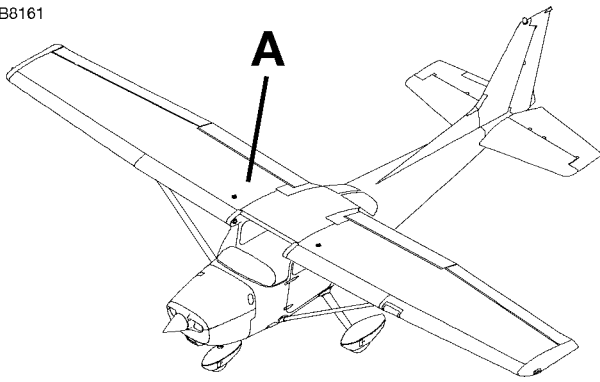
CESSNA AIRCRAFT COMPANY
MODEL 172 (SERIES 1996 AND ON)
ILLUSTRATED PARTS CATALOG

FIG ITEM	PART NUMBER	NOMENCLATURE	UNITS PER ASSY		
			1	2	3
01A					
-		AUTOPILOT INSTALLATION-NAV III KAP-140	81241	& ON	RF R
			09810	& ON	
1	S3100-323	. KAP-140 AUTOPILOT REFER TO VENDOR PART NUMBER 065-00176-7904 (MOD 6 & ON)			01
- 1A	S3100-218	. KAP-140 COMPUTER W/ALT REFER TO VENDOR PART NUMBER 065-00176-7702 (MOD 5 & ON)			01
- 1B	047-10881-0001	. TRAY FOR KAP-140 REFER TO VENDOR PUBLICATION V22373			01
2	MS24693-S27	. SCREW			04
3	S1477-06	. NUT			04
4	3930492-2	. SUPPORT STRAP ATTACHING PARTS			01
5	MS24693-S27	. SCREW			02
6	MS21044N06	. NUT —*—			02
7	071-00073-5000	. CONFIGURATION MODULE ATTACHING PARTS			01
8	MS35206-229	. SCREW —*—			02
9	1270101-1	. SUPPORT ASSY			01
10	MS21073L06	. . NUTPLATE ATTACHING PARTS			02
- 11	MS24693-S28	. SCREW			02
- 12	MS21044N06	. NUT —*—			02
13	S2357-1	. CLAMP			02
14	S2502-4	. FITTING			01
15	S1481-1	. COUPLING			01
16	M5593-3	. HOSE			01
17		. STANDBY BATTERY SUPPORT REFER TO 53-10-00 FIGURE 03			RF
18		. RADIO STACK SUPPORT REFER TO 53-22-00 FIGURE 01A			RF
19		. STATIONARY PANEL REFER TO 53-22-00 FIGURE 01A			RF

- ITEM NOT ILLUSTRATED

CESSNA AIRCRAFT COMPANY
MODEL 172 (SERIES 1996 AND ON)
 ILLUSTRATED PARTS CATALOG

B8161



DETAIL A

ROLL SERVO INSTALLATION
 FIGURE 02 (SHEET 1)

0510T1007
 A0560T1030

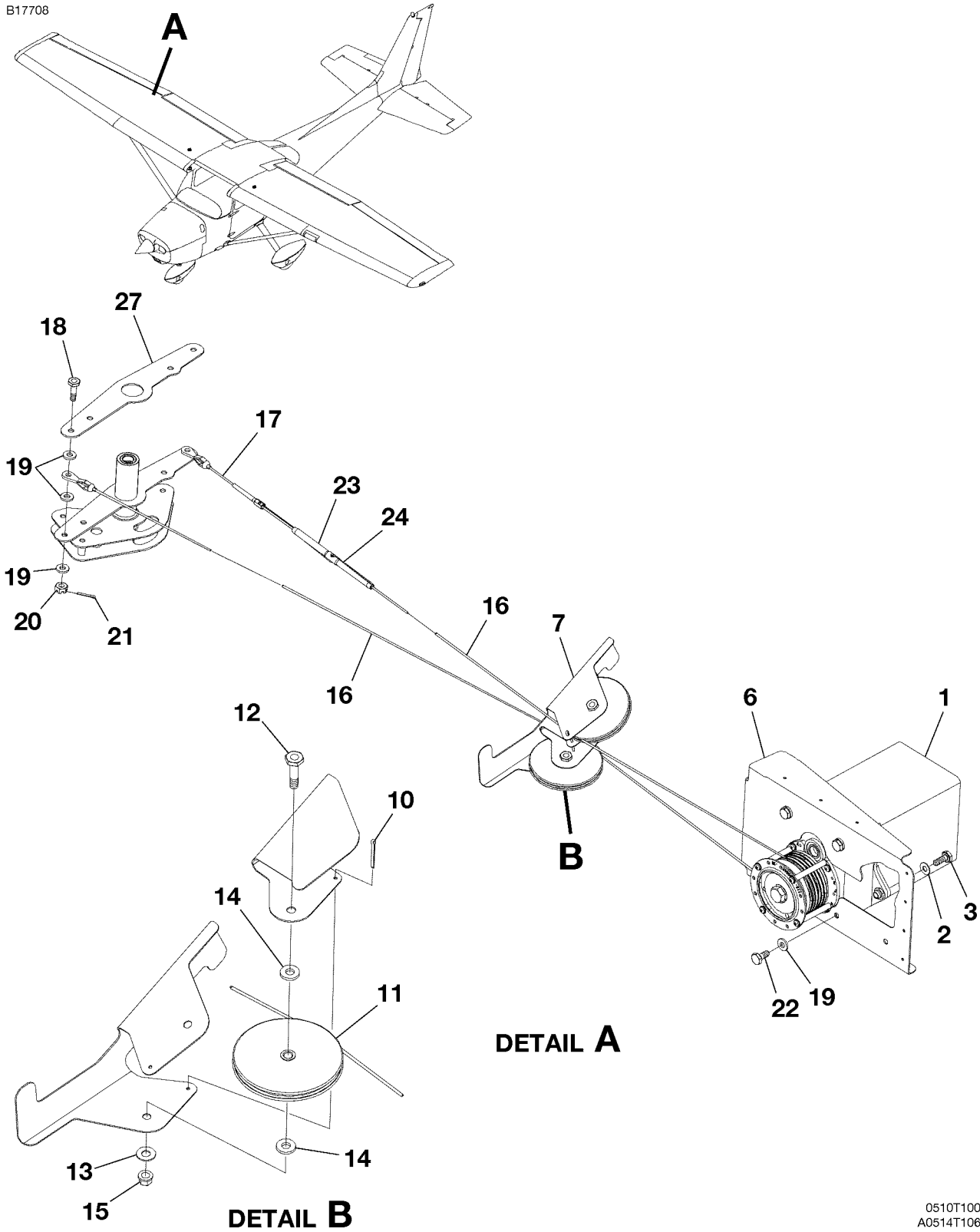
CESSNA AIRCRAFT COMPANY
MODEL 172 (SERIES 1996 AND ON)
 ILLUSTRATED PARTS CATALOG

FIG ITEM	PART NUMBER	NOMENCLATURE	UNITS PER ASSY		
			1	2	RF R
02		ROLL SERVO INSTALLATION			
-			81497	81572	RF R
			10656	11071	
1	011-00878-00	. GSA-81 TORQUE SERVO			01
2	011-00894-10	. GSM-85 SERVO MOUNT			01
- 3	011-01028-00	. SPIRAL CAPSTAN			01
		ATTACHING PARTS			
4	AN3-3A	. BOLT			04
5	AN3-4A	. BOLT			02
6	NAS1149F0332P	. WASHER			02
7	NAS1149F0363P	. WASHER			04
		—*—			
8	3940453-3	. BRACKET			01
9	3940453-2	. CABLE ASSY			01
10	3940453-4	. CABLE ASSY			01
		ATTACHING PARTS			
11	MS17825-3	. NUT			02
12	MS24665-132	. COTTER PIN			02
13	NAS1149F0332P	. WASHER			02
14	NAS6203-4D	. BOLT			02
		—*—			
15	S378-3L	. PULLEY			01
		ATTACHING PARTS			
16	AN4-10A	. BOLT			01
17	NAS1149F0416P	. WASHER			01
18	MS21042L4	. NUT			01
19	MS24665-285	. COTTER PIN			01
		—*—			
20	0523568-1	. CABLE SPACER			01
21	NAS1149FN232P	. WASHER			02
22	0722709-3	. SERVO BRACKET ASSY			01
23	MS21251-B2L	. TURNBUCKLE BODY CLIP			01
24	MS21256-2	. CLIP			02
25		. BELLCRANK REFER TO 27-10-00 FIGURE 03			RF

- ITEM NOT ILLUSTRATED

CESSNA AIRCRAFT COMPANY
MODEL 172 (SERIES 1996 AND ON)
ILLUSTRATED PARTS CATALOG

B17708



ROLL SERVO INSTALLATION
FIGURE 02A (SHEET 1)

0510T1007
A0514T1069
B0514T1069

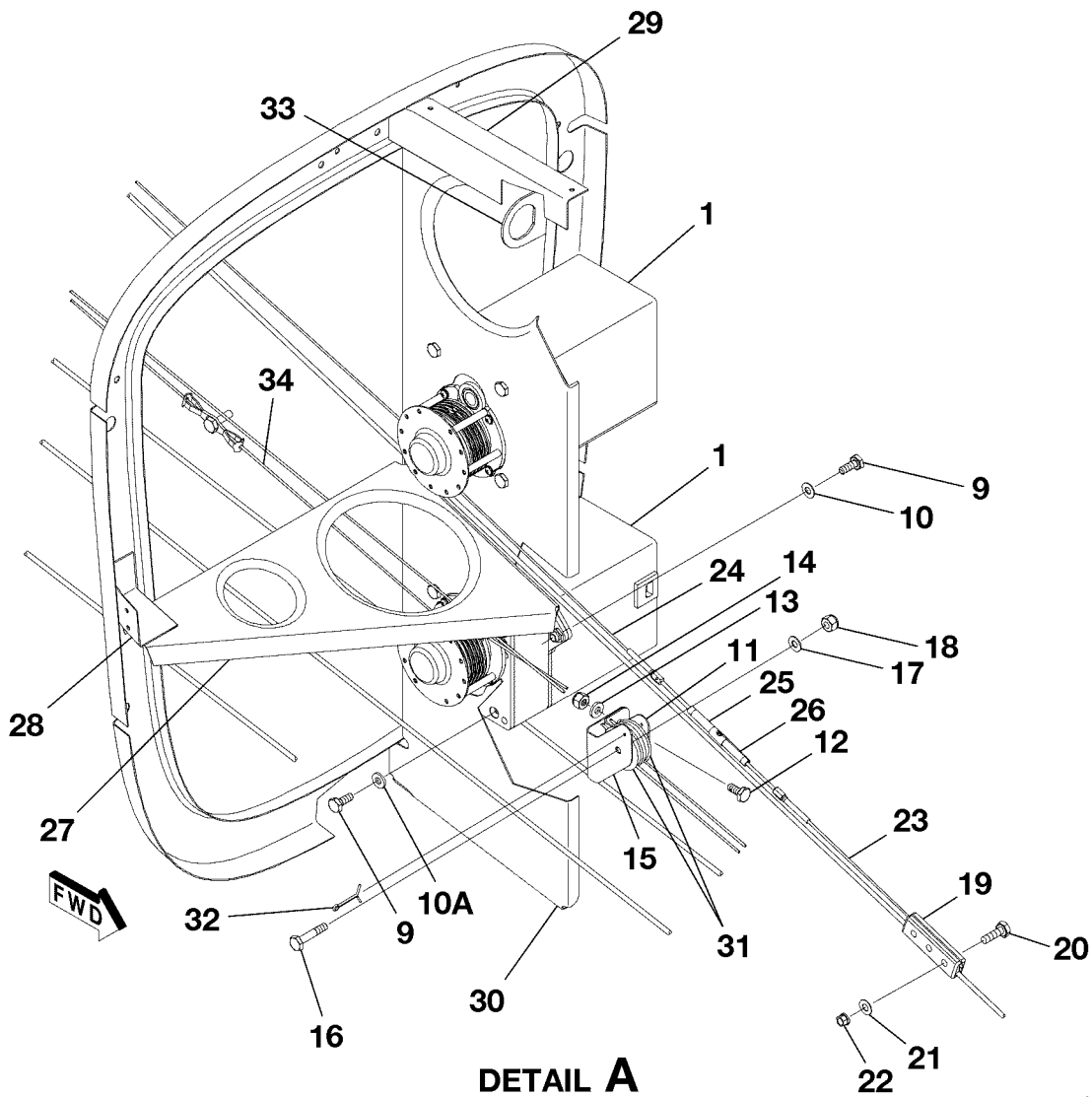
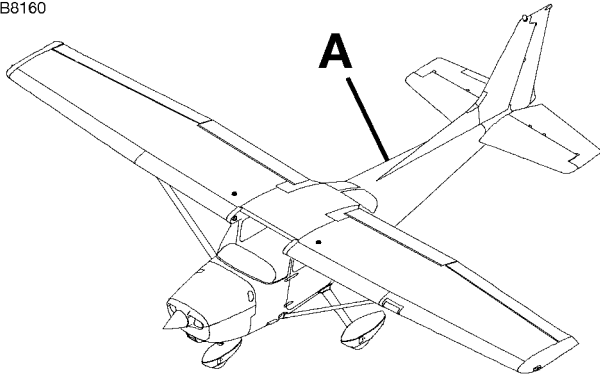
CESSNA AIRCRAFT COMPANY
MODEL 172 (SERIES 1996 AND ON)
ILLUSTRATED PARTS CATALOG

FIG ITEM	PART NUMBER	NOMENCLATURE	UNITS		
			PER ASSY		
02A		ROLL SERVO INSTALLATION			
-			81573	& ON	RF
			11072	& ON	
1	011-00878-00	. GSA-81 TORQUE SERVO V0TRC3			01
		ATTACHING PARTS			
2	NAS1149F0332P	. WASHER			02
3	AN3-4A	. BOLT			02
		—*—			
- 4	011-00894-10	. GSM-85 SERVO MOUNT V0TRC3			01
- 5	011-01028-00	. SPIRAL CAPSTAN V0TRC3			01
6	0722709-3	. SERVO BRACKET ASSY 172.	81573	81577	01
- 6A	0722709-3	. SERVO BRACKET ASSY 172S.	11072	11084	01
- 6B	0722709-5	. SERVO BRACKET ASSY 172.	81578	& ON	01
- 6C	0722709-5	. SERVO BRACKET ASSY 172S.	11085	& ON	01 R
7	0522655-6	. AILERON PULLEY BRACKET ASSY.			01 R
- 8	0522655-4	. PULLEY BRACKET-OUTER			01 R
- 9	0522655-5	. PULLEY BRACKET-INNER			01 R
		ATTACHING PARTS			
10	MS24665-136	. COTTER PIN			02 R
		—*—			
11	S378-2	. PULLEY.			02 R
		ATTACHING PARTS			
12	NAS6203-8	. BOLT			02 R
13	NAS1149F0332P	. WASHER			02 R
14	NAS1149F0363P	. WASHER			04 R
15	MS21042-3	. NUT			02 R
		—*—			
16	3940453-2	. CABLE ASSY			01 R
17	3940453-4	. CABLE ASSY			01 R
		ATTACHING PARTS			
18	NAS6203-6D	. BOLT			02 R
19	NAS1149F0363P	. WASHER			10 R
20	MS17826-3	. NUT			02 R
21	MS24665-132	. COTTER PIN			02 R
22	AN3-3A	. BOLT			04 R
23	MS21251-B2L	. TURNBUCKLE BODY CLIP			01 R
24	MS21256-2	. CLIP			02 R
- 25	3940453-3	. BRACKET			01 R
- 26	P840112	. TAPE 172.	81590	& ON	AR R
- 26A	P840112	. TAPE 172S.	11113	& ON	AR R
27		. BELLCRANK ASSY REFER TO 27-10-00 FIGURE 03			RF R

- ITEM NOT ILLUSTRATED

CESSNA AIRCRAFT COMPANY
MODEL 172 (SERIES 1996 AND ON)
 ILLUSTRATED PARTS CATALOG

B8160



DETAIL A
 GFC-700 PITCH AND TRIM SERVO
 FIGURE 03 (SHEET 1)

0510T1007
 A0560T1029

CESSNA AIRCRAFT COMPANY
MODEL 172 (SERIES 1996 AND ON)
ILLUSTRATED PARTS CATALOG

FIG ITEM	PART NUMBER	NOMENCLATURE	UNITS PER ASSY		
			1	2	3
03					
-		GFC-700 PITCH AND TRIM SERVO		81497 & ON 10656 & ON	RF
1	011-00878-00	. SERVO-GSA-81 TORQUE		V0TRC3	02
- 2	011-00894-00	. MOUNT-GSM-85 TORQUE		V0TRC3	02
- 3		. DELETED-NOT USED			
- 4	011-01028-00	. CAPSTAN-SPIRAL		V0TRC3	02
- 5		. DELETED-NOT USED			
- 6		. DELETED-NOT USED			
- 7		. DELETED-NOT USED			
- 8		. DELETED-NOT USED			
		ATTACHING PARTS			
9	AN3-4A	. BOLT-PITCH AND TRIM			06
10	NAS1149F0332P	. WASHER-PITCH AND TRIM			02
10A	NAS1149F0363P	. WASHER-PITCH AND TRIM			04
		—*—			
11	3940475-4	. PULLEY BRACKET-INNER			01
		ATTACHING PARTS			
12	AN3-4A	. BOLT			02 R
13	NAS1149F0363P	. WASHER			02
14	MS21044N3	. NUT			02
		—*—			
15	3940475-6	. PULLEY BRACKET-OUTER FSO 3940475-13	81497 10656	81535 10770	NP R
- 15A	3940475-13	. PULLEY BRACKET-OUTER	81536 10771	& ON & ON	01 R
		ATTACHING PARTS			
16	AN3-10A	. BOLT	81497 10656	81535 10770	01 R
- 16A	AN3-12A	. BOLT	81536 10771	& ON & ON	01 R
17	NAS1149F0332P	. WASHER	81497 10656	81535 10770	01 R
- 17A	NAS1149F0363P	. WASHER	81536 10771	& ON & ON	03 R
- 17B	NAS1149F0316P	. WASHER	81536 10771	& ON & ON	01 R
18	MS21044N3	. NUT			01
		—*—			
19	3940475-8	. CLAMP BLOCK			01
		ATTACHING PARTS			
20	AN3-5A	. BOLT			06
21	NAS1149C0316B	. WASHER			06
22	MS21042-3	. NUT			06
		—*—			
23	0501146-8	. CABLE ASSY			01
24	0501146-9	. CABLE ASSY			01
25	MS21251-B2S	. CLIP-TURNBUCKLE BODY			01
26	MS21256-1	. CLIP			02
27	0501146-2	. STIFFENER			01
28	0501146-4	. CLIP			01
29	0501146-3	. BRACKET			01
30	3940475-3	. BRACKET-SERVO			01
31	S378-1	. PULLEY			02
32	MS24665-136	. COTTER PIN			01
33	3940452-3	. BRACKET			02 R
34	3940475-2	. CABLE ASSY-ELEVATOR TRIM FSO 3940475-14	81497 10656	81566 11051	NP R
- 34A	3940475-14	. CABLE ASSY-ELEVATOR TRIM	81567 11052	& ON & ON	01 R

- ITEM NOT ILLUSTRATED

CHAPTER

23

COMMUNICATIONS

CESSNA AIRCRAFT COMPANY
MODEL 172 (SERIES 1996 AND ON)
 ILLUSTRATED PARTS CATALOG

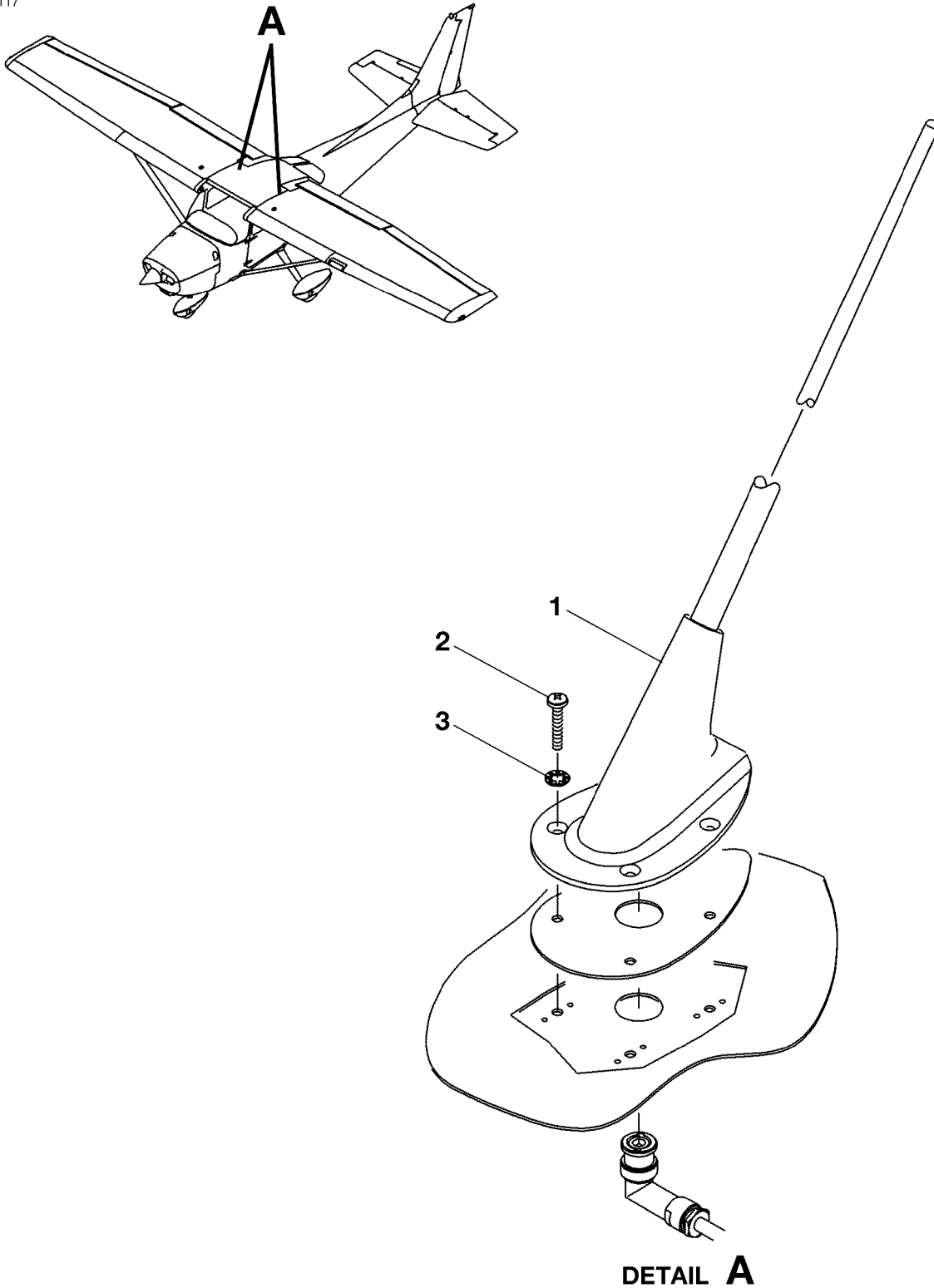
CHAPTER SECTION SUBJECT		NUMBER OF PAGES	DATE
23 - TITLE			
23 - LIST OF EFFECTIVE PAGES			
23 - RECORD OF TEMPORARY REVISIONS			
23 - TABLE OF CONTENTS			
23-10-00	Figure 01	2	Jan 1/2009
23-10-01	Figure 01	2	Jul 1/2010
23-20-00	Figure 01	2	Dec 1/2007
23-30-00	Figure 01	2	Jan 1/2012
23-50-00	Figure 01	2	Jan 1/2009
23-50-00	Figure 02	2	Jan 1/2009
23-51-00	Figure 01	2	Jan 1/2007
23-60-00	Figure 01	2	Jul 1/2014

CESSNA AIRCRAFT COMPANY
MODEL 172 (SERIES 1996 AND ON)
 ILLUSTRATED PARTS CATALOG

<u>SUBJECT</u>	<u>CHAPTER SECTION SUBJECT</u>	<u>FIGURE</u>	<u>EFFECTIVITY</u>	
			<u>START</u>	<u>END</u>
ANTENNA INSTALLATION - VHF COMMUNICATION	23-10-00	01		
INTEGRATED AVIONICS INSTALLATION-NAV III	23-10-01	01	81241 09810	& ON & ON
MULTIFUNCTION DISPLAY INSTALLATION	23-20-00	01		
SPEAKER INSTALLATION	23-30-00	01		
AUDIO PANEL INSTALLATION	23-50-00	01		
AUDIO PANEL INSTALLATION-NAV III	23-50-00	02	81241 09810	& ON & ON
MICROPHONE & HEADSET INSTALLATION	23-51-00	01		
STATIC DISCHARGER INSTALLATION	23-60-00	01		

CESSNA AIRCRAFT COMPANY
MODEL 172 (SERIES 1996 AND ON)
ILLUSTRATED PARTS CATALOG

B117



DETAIL A

ANTENNA INSTALLATION - VHF COMMUNICATION
FIGURE 01 (SHEET 1)

0510R1007
0516R1025

CESSNA AIRCRAFT COMPANY
MODEL 172 (SERIES 1996 AND ON)
ILLUSTRATED PARTS CATALOG

FIG ITEM	PART NUMBER	NOMENCLATURE	UNITS	
			PER	ASSY
01		ANTENNA INSTALLATION - VHF COMMUNICATION		RF
-				
1	CI-128A	. VHF ANTENNA-LH AND RH 172	V51351 80001	81198 02
- 1A	CI-128A	. VHF ANTENNA-LH AND RH 172S	V51351 08001	09544 02
- 1B	CI248-6	. VHF ANTENNA-LH AND RH 172	V51351 81199	81200 02
- 1C	CI248-6	. VHF ANTENNA-LH AND RH 172S	V51351 09545	09568 02
- 1D	CI248-5	. VHF BLADE ANTENNA-RH 172		81201 & ON 01
- 1E	CI248-5	. VHF BLADE ANTENNA-RH 172S		09569 & ON 01
- 1F	CI2480-200	. GPS/VHF BLADE ANTENNA-LH 172		81201 & ON 01 R
- 1G	CI2480-200	. GPS/VHF BLADE ANTENNA-RH 172 REFER TO NOTE 2		81241 81355 01 R
- 1H	CI2480-200	. GPS/VHF BLADE ANTENNA-LH 172S REFER TO NOTE 2		09569 & ON 01 R
- 1J	CI2480-200	. GPS/VHF BLADE ANTENNA-RH 172S REFER TO NOTE 2		09810 10423 01 R
- 1K	CI2480-400	. VHF/GPS/XM ANTENNA-LH 172 REFER TO NOTE 2		81241 81355 01 R
- 1L	CI2480-400	. VHF/GPS/XM ANTENNA-LH 172S REFER TO NOTE 2		09810 10423 01 R
- 1M	CI2580-200	. VHF/GPS ANTENNA-LH AND RH 172 REFER TO NOTE 1		81356 & ON 01 R
- 1N	CI2580-200	. VHF/GPS ANTENNA-LH AND RH 172S REFER TO NOTE 1		10424 & ON 01 R
- 1P	CI2580-410	. ANTENNA VHF/GPS/XM LH 172 REFER TO NOTE 1		81356 & ON 01
- 1Q	CI2580-410	. ANTENNA VHF/GPS/XM LH 172S		10424 & ON 01
		ATTACHING PARTS		
2	MS27039-0812	. . SCREW 172		80001 81198 04
- 2A	MS27039-0812	. . SCREW 172S		08001 09544 04
- 2B	MS27039-0814	. . SCREW 172		81199 81200 04
- 2C	MS27039-0814	. . SCREW 172S		09545 09568 04
3	MS35338-42	. . WASHER LOCK SPRING 172		80001 81200 04
- 3A	MS35338-42	. . WASHER LOCK SPRING 172S		08001 09568 04

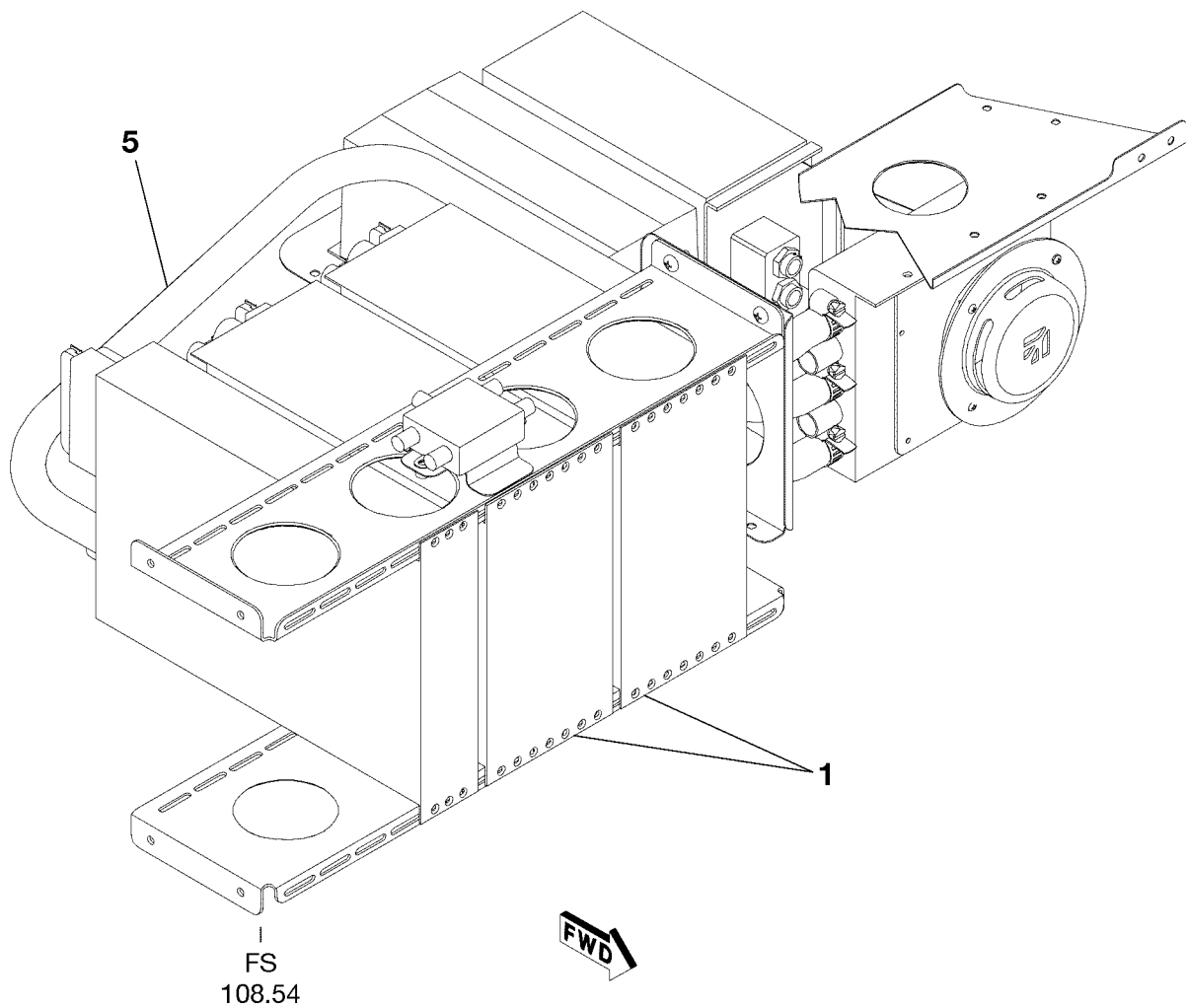
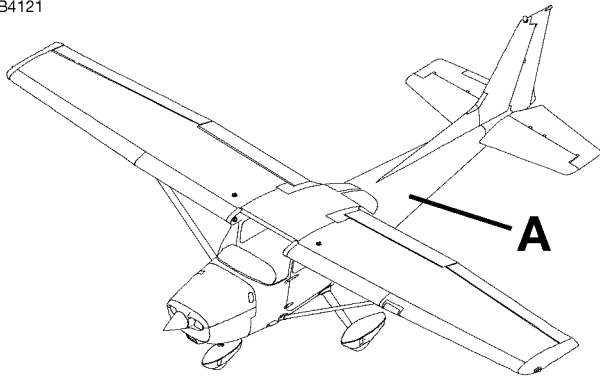
NOTE 1—AIRPLANES 17281356 AND ON, AIRPLANES 172S10424 AND ON, AND AIRPLANES 17281241 THRU 17281356 AND AIRPLANES 172S9810 THRU 1043 INCORPORATING SB07-34-07 R

NOTE 2—AIRPLANES 17281241 THRU 17281356 AND AIRPLANES 172S9810 THRU 10431 NOT INCORPORATING SB07-34-07 R

- ITEM NOT ILLUSTRATED

CESSNA AIRCRAFT COMPANY
MODEL 172 (SERIES 1996 AND ON)
ILLUSTRATED PARTS CATALOG

B4121



DETAIL A

INTEGRATED AVIONICS INSTALLATION-NAV III
FIGURE 01 (SHEET 1)

0510T1007
A0518T1103

CESSNA AIRCRAFT COMPANY
MODEL 172 (SERIES 1996 AND ON)
ILLUSTRATED PARTS CATALOG

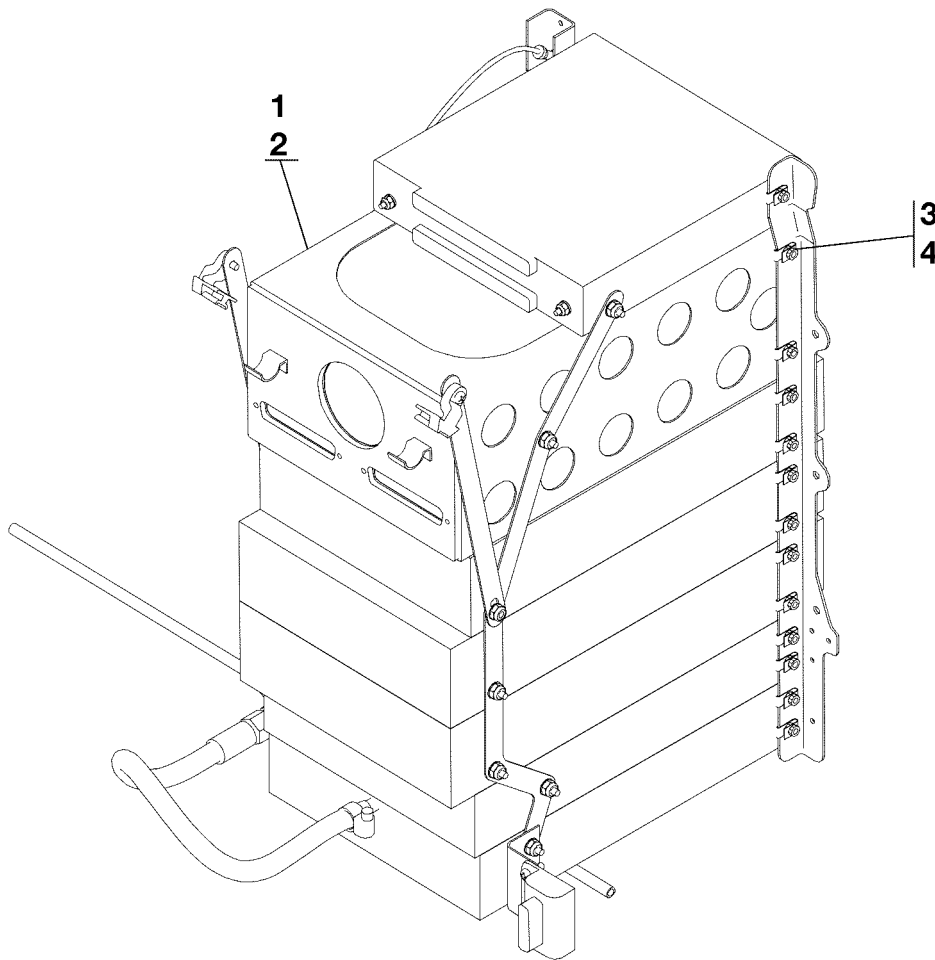
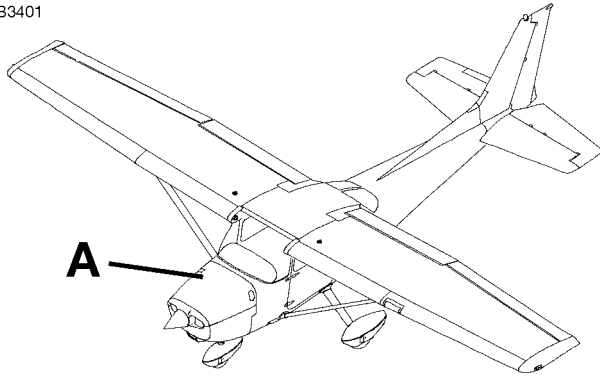
FIG ITEM	PART NUMBER	NOMENCLATURE	UNITS PER ASSY		
			1	2	3
01					
-		INTEGRATED AVIONICS INSTALLATION-NAV III	81241	& ON	RF R
			09810	& ON	
1	S3100-376	. INTEGRATED AVIONICS UNIT 172	81241	81254	02 R
- 1A	S3100-376	. INTEGRATED AVIONICS UNIT 172S	09810	09905	02 R
- 1B	011-00781-01	. INTEGRATED AVIONICS UNIT 172	V0TRC3 81255	81356	02 R
- 1C	011-00781-01	. INTEGRATED AVIONICS UNIT 172S	V0TRC3 09906	10431	02 R
- 1D	011-01105-00	. INTEGRATED AVIONICS UNIT 172 FSO 011-01105-01 REFER TO NOTE 1	V0TRC3 81357	81397	NP R
- 1E	011-01105-00	. INTEGRATED AVIONICS UNIT 172S FSO 011-01105-01 REFER TO NOTE 1	V0TRC3 10432	10530	NP R
- 1F	S3100-463	. INTEGRATED AVIONICS UNIT 172	81398	81544	02 R
- 1G	S3100-463	. INTEGRATED AVIONICS UNIT 172S	10531	10872	02 R
- 1H	011-01105-01	. INTEGRATED AVIONICS UNIT GIA63W 172	V0TRC3 81545	& ON	02 R
- 1J	011-01105-01	. INTEGRATED AVIONICS UNIT GIA63W 172S	V0TRC3 10873	& ON	02 R
- 2	115-00426-00	. MOUNTING RACK	V0TRC3		01 R
- 3	011-00915-01	. NUTPLATE KIT	V0TRC3		01 R
- 4	011-00963-00	. BACKPLATE ASSEMBLY	V0TRC3		01 R
5		. AFT AVIONICS COOLING FAN INSTALLATION-NAV III-REFER TO 21-21-00 FIGURE 01A			RF R

NOTE 1—AIRPLANES 17281357 THRU 81397, AIRPLANES 172S10432 THRU 10530, AND AIRPLANES 17281241 THRU 81356 AND AIRPLANES 172S9810 THRU 10431 INCORPORATING SB07-34-07.

R

CESSNA AIRCRAFT COMPANY
MODEL 172 (SERIES 1996 AND ON)
ILLUSTRATED PARTS CATALOG

B3401



DETAIL A

MULTIFUNCTION DISPLAY INSTALLATION
FIGURE 01 (SHEET 1)

0510T1007
A0714T1021

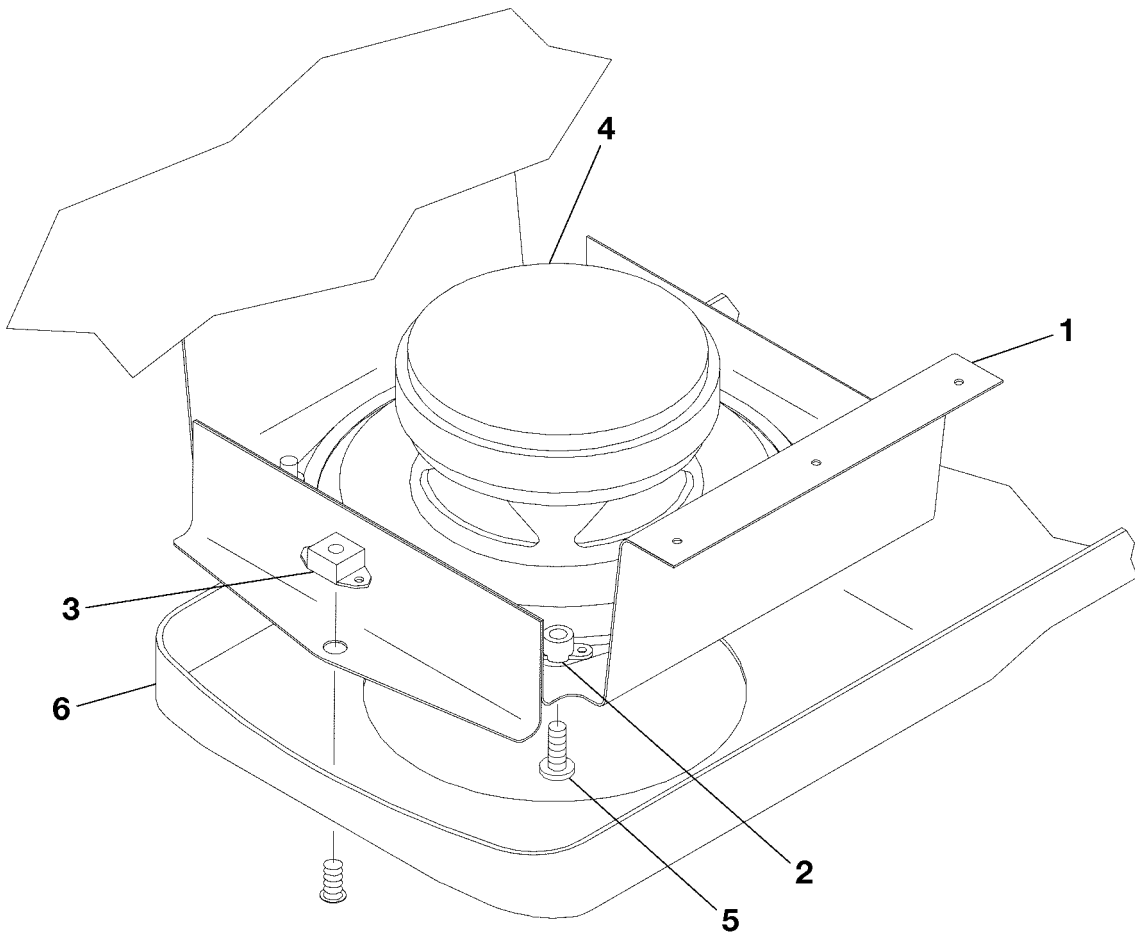
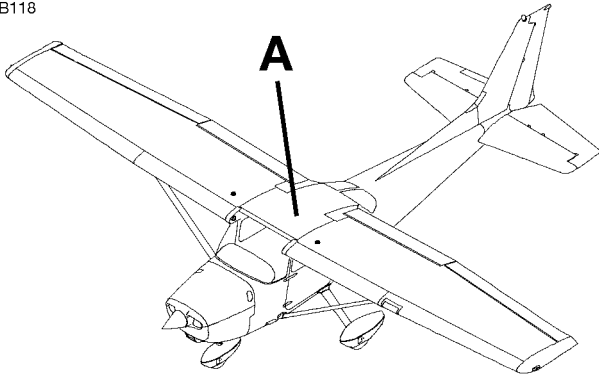
CESSNA AIRCRAFT COMPANY
MODEL 172 (SERIES 1996 AND ON)
 ILLUSTRATED PARTS CATALOG

FIG ITEM	PART NUMBER	NOMENCLATURE	UNITS	
			PER	ASSY
01		MULTIFUNCTION DISPLAY INSTALLATION		RF
-				
1	066-04035-0101	. KMD-540 MFD 172	80984	81135 01
- 1A	066-04035-0101	. KMD-540 MFD 172S	08704	09254 01
- 1B	S3100-291	. KMD-540 MFD REF 066-04035-0301(MOD 2 & ON) 172	81136	81231 01
- 1C	S3100-291	. KMD-540 MFD REF 066-04035-0301(MOD 2 & ON) 172S	09255	09757 01
- 1D	S3100-374	. KMD-540 MFD REF 066-04035-1301(MOD 2 & ON)(SW 01/12) 172	81232	81249 01
- 1E	S3100-374	. KMD-540 MFD REF 066-04035-1301(MOD 2 & ON)(SW 01/12) 172S	09758	09871 01
- 1F	S3100-397	. KMD-540 MFD REF 066-04035-1301 (SW 01/13 ONLY) 172	81250	& ON 01
- 1G	S3100-397	. KMD-540 MFD REF 066-04035-1301 (SW 01/13 ONLY) 172S	09872	& ON 01
2	071-00161-0101	. KMD-540 DATA CARD 172	80984	81135 01
- 2A	071-00161-0101	. KMD-540 DATA CARD 172S	08704	09254 01
- 2B	S3100-292	. KMD-540 DATA CARD REF 071-00161-0101(SW 206-00406-0110 & ON) 172	81136	81222 01
- 2C	S3100-292	. KMD-540 DATA CARD REF 071-00161-0101(SW 206-00406-0110 & ON) 172S	09255	09677 01
- 2D	S3100-360	. KMD-540 DATA CARD REF 071-00161-0101 (SW 206-00406-0113 ONLY) 172	81232	81249 01
- 2E	S3100-360	. KMD-540 DATA CARD REF 071-00161-0101 (SW 206-00406-0113 ONLY) 172S	09758	09871 01
- 2F	S3100-396	. KMD 540/850 DATA CRD AMER REF 071-00161-0101 (SW 206-00406-0114 ONLY) 172	81250	& ON 01
- 2G	S3100-396	. KMD 540/850 DATA CRD AMER REF 071-00161-0101 (SW 206-00406-0114 ONLY) 172S	09872	& ON 01
		ATTACHING PARTS		
3	MS24693-S27	. SCREW		04 R
4	S1477-06	. NUT		04
		—*—		

- ITEM NOT ILLUSTRATED

CESSNA AIRCRAFT COMPANY
MODEL 172 (SERIES 1996 AND ON)
ILLUSTRATED PARTS CATALOG

B118



DETAIL A

SPEAKER INSTALLATION
FIGURE 01 (SHEET 1)

0510T1007
A0514T1013

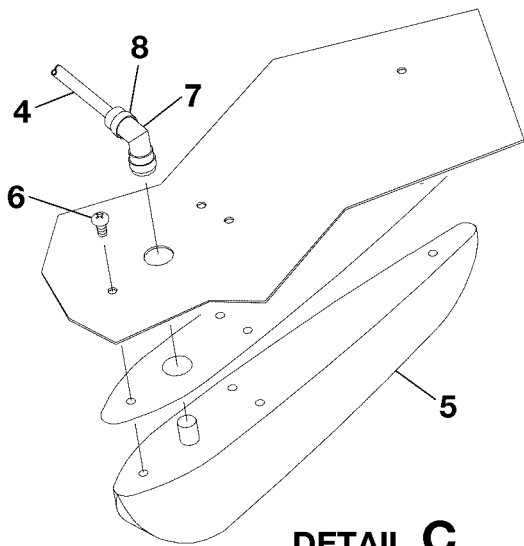
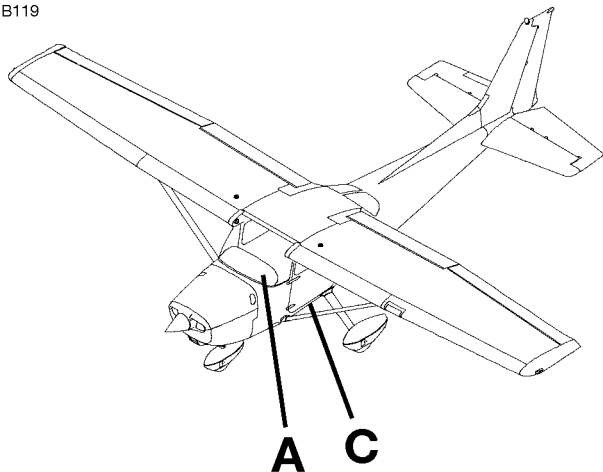
CESSNA AIRCRAFT COMPANY
MODEL 172 (SERIES 1996 AND ON)
 ILLUSTRATED PARTS CATALOG

FIG ITEM	PART NUMBER	NOMENCLATURE	UNITS PER ASSY	
			1 2 3 4 5 6 7	
01		SPEAKER INSTALLATION		RF
-				
1	0515073-8	. SPEAKER BRACKET ASSY 172	80001 81272	01
- 1A	0515073-8	. SPEAKER BRACKET ASSY 172S	08001 10102	01
- 1B	0515073-31	. SPEAKER BRACKET ASSY 172	81273 & ON	01
- 1C	0515073-31	. SPEAKER BRACKET ASSY 172S	10103 & ON	01
2	MS21069L3K	. . NUTPLATE		04
3	MS21060L08	. . NUTPLATE		01
4	C596504-0101	. SPEAKER FSO 100-9107-01		NP R
- 4A	100-9107-01	. SPEAKER		01 R
		ATTACHING PARTS		
5	MS35207-263	. SCREW		04
		—*		
6		. OVERHEAD CONSOLE ASSY REFER TO 25-20-10 FIGURE 04		RF
- 7		. OVERHEAD LIGHTING REFER TO 33-11-01 FIGURE 01		RF

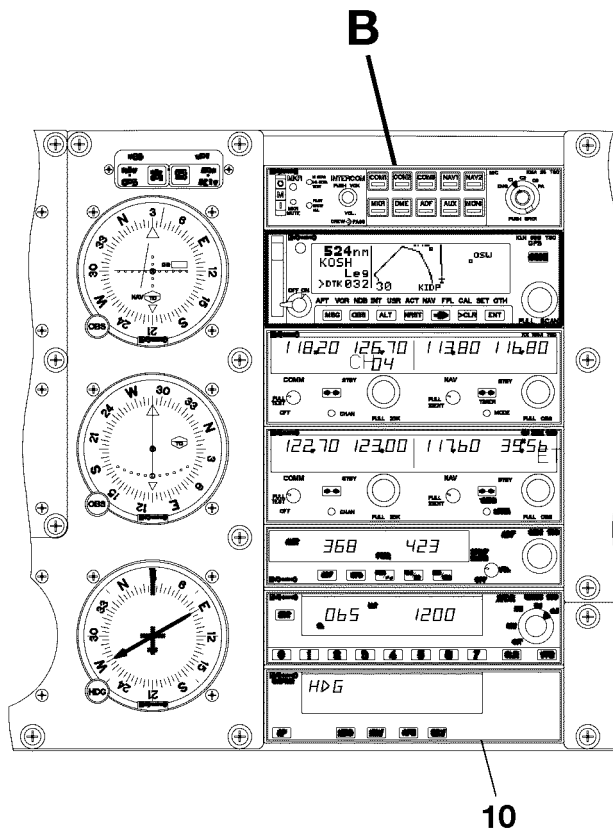
- ITEM NOT ILLUSTRATED

CESSNA AIRCRAFT COMPANY
MODEL 172 (SERIES 1996 AND ON)
 ILLUSTRATED PARTS CATALOG

B119



DETAIL C



DETAIL A



DETAIL B

AUDIO PANEL INSTALLATION
 FIGURE 01 (SHEET 1)

0510T1007
 A0518T1033
 B0585T1051
 C0518T1035

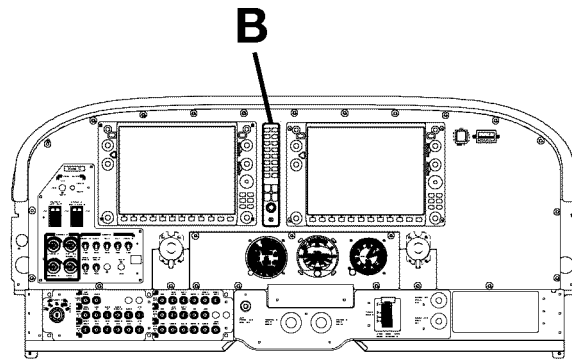
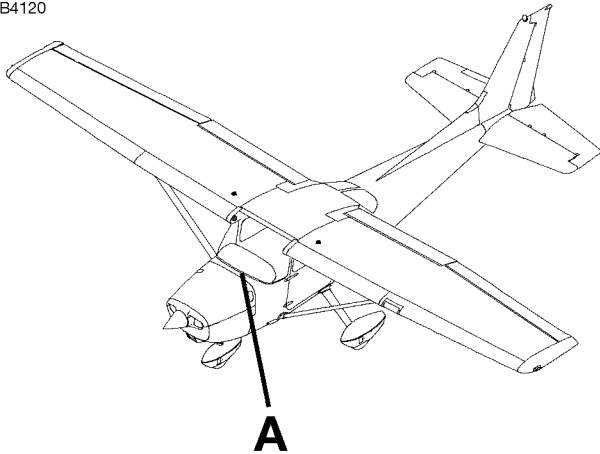
CESSNA AIRCRAFT COMPANY
MODEL 172 (SERIES 1996 AND ON)
 ILLUSTRATED PARTS CATALOG

FIG ITEM	PART NUMBER	NOMENCLATURE	UNITS		
			1	2	PER ASSY
01		AUDIO PANEL INSTALLATION			RF
-					
1	066-01155-0101	. KMA 26 AUDIO PANEL 172	V22373	80001	80601 01
- 1A	066-01155-0201	. KMA 26 AUDIO PANEL 172S	V22373	08001	08189 01
- 1B	066-01155-0201	. KMA 26 AUDIO PANEL 172	V22373	80602	80720 01
- 1C	S3100-160	. KMA 26 AUDIO PANEL 172S	V22373	08190	08702 01
- 1D	S3100-160	. KMA 26 AUDIO PANEL 172	V22373	80721	80983 01
- 1E	066-01176-0101	. KMA 28 AUDIO PANEL 172	V22373	80984	& ON 01
- 1F	066-01176-0101	. KMA 28 AUDIO PANEL 172S	V22373	08703	& ON 01
2	MS24693-S27	. . SCREW			04
3	S1477-06	. . NUT			04
4		. CABLE-STANDARD AUDIO REFER TO WDM 172			RF R
5	CI102	. MARKER BEACON ANTENNA	V51351		01
6	MS35207-261	. SCREW			04
7	UG306B/U	. COAX ADAPTER			01
8	50F-003-BNC	. ATTENUATOR	V61162		01
- 9		. CA AUDIO STANDARD REFER TO WDM 172			RF
- 10		. AUTOPILOT REFER TO 22-10-00 FIGURE 01			RF
- 11		. ELT REFER TO 25-60-00 FIGURE 01			RF
- 12		. GPS REFER TO 34-51-00 FIGURE 01			RF
- 13		. VHF REFER TO 34-50-00 FIGURE 01			RF
- 14		. ADF REFER TO 34-50-00 FIGURE 01			RF

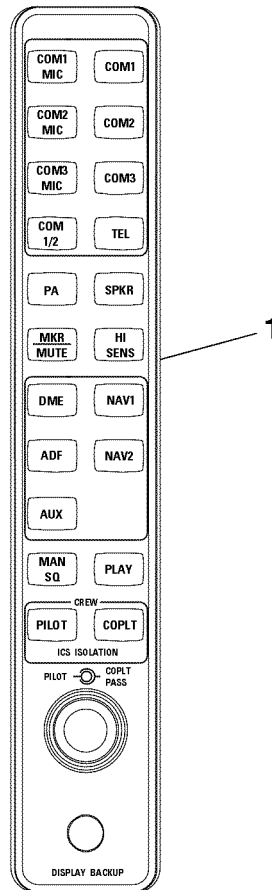
- ITEM NOT ILLUSTRATED

CESSNA AIRCRAFT COMPANY
MODEL 172 (SERIES 1996 AND ON)
ILLUSTRATED PARTS CATALOG

B4120



DETAIL A



DETAIL B

AUDIO PANEL INSTALLATION-NAV III
FIGURE 02 (SHEET 1)

0510T1007
A0518T1120
B0518T1128

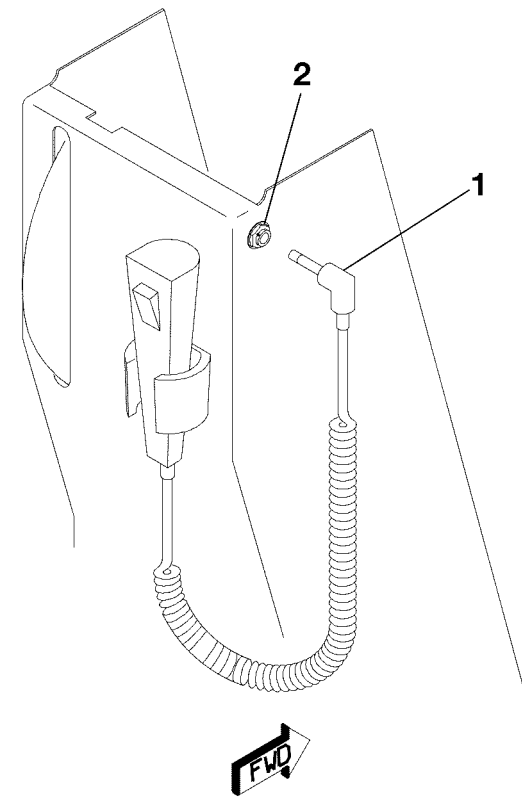
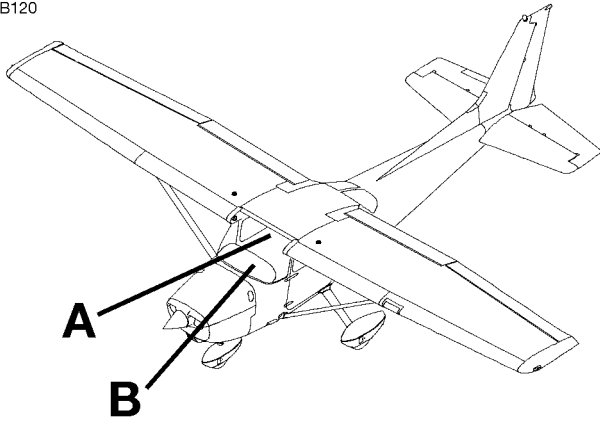
CESSNA AIRCRAFT COMPANY
MODEL 172 (SERIES 1996 AND ON)
 ILLUSTRATED PARTS CATALOG

FIG ITEM	PART NUMBER	1 2 3 4 5 6 7	NOMENCLATURE	UNITS PER ASSY		
02						
-			AUDIO PANEL INSTALLATION-NAV III	81241	& ON	RF
				09810	& ON	
1	S3100-381		. GMA-1347 AUDIO PANEL VENDOR 011-00809-00 (MOD 2 AND ON)			01
- 2	115-00427-00		. MOUNTING RACK V0TRC3			01
- 3	011-01019-00		. NUTPLATE KIT V0TRC3			01 R
- 4	011-00812-00		. BACKPLATE ASSEMBLY V0TRC3			01

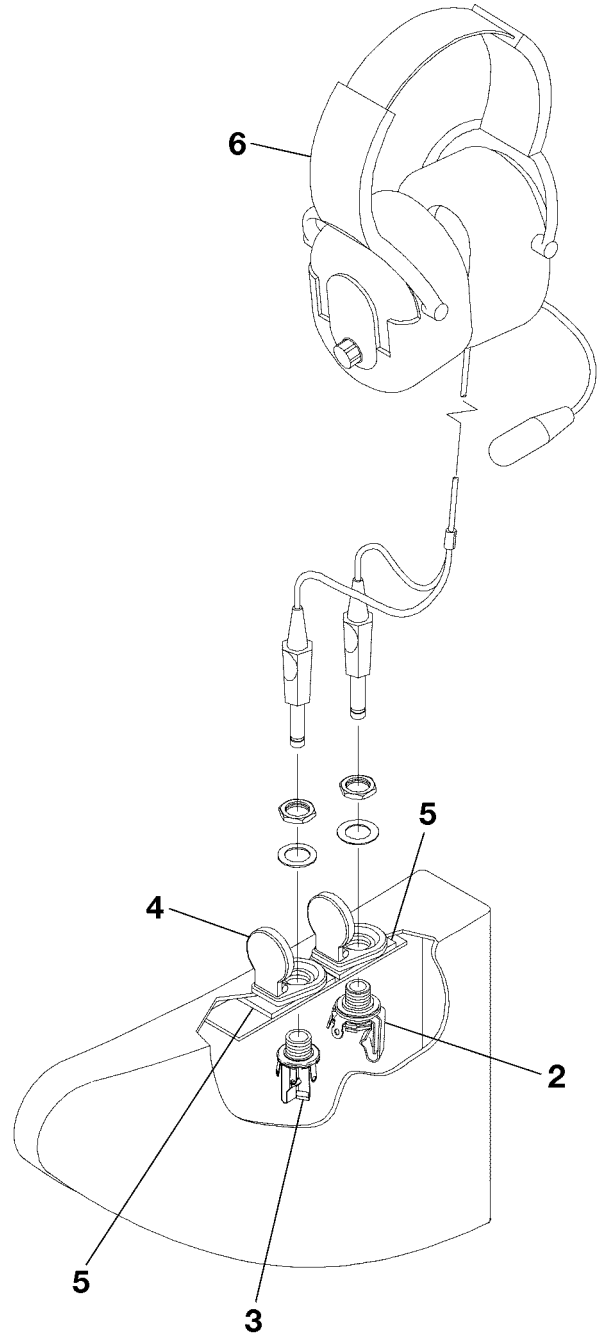
- ITEM NOT ILLUSTRATED

CESSNA AIRCRAFT COMPANY
MODEL 172 (SERIES 1996 AND ON)
ILLUSTRATED PARTS CATALOG

B120



DETAIL B



DETAIL A

MICROPHONE & HEADSET INSTALLATION
FIGURE 01 (SHEET 1)

0510T1007
A0518T1041
B0518T1055

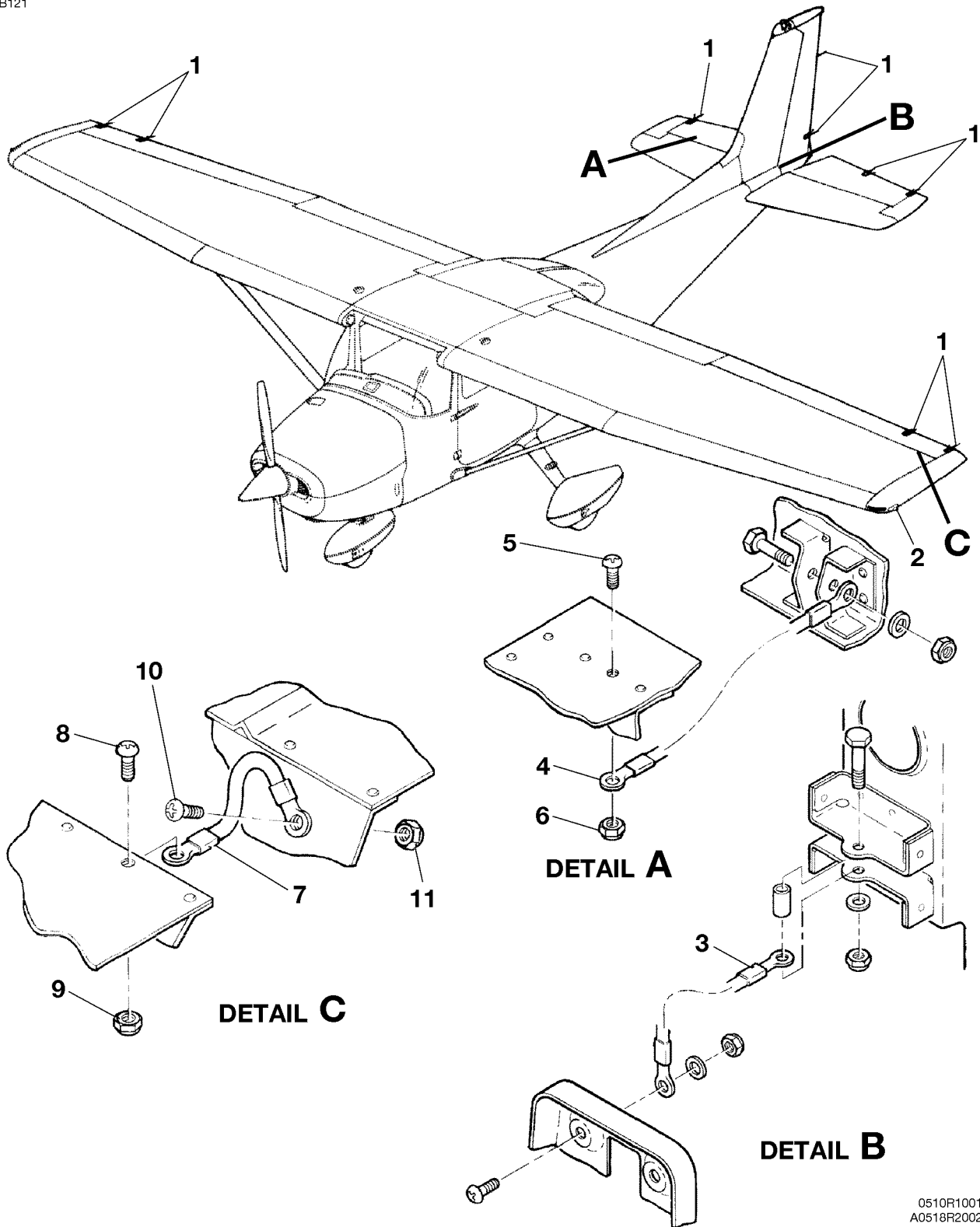
CESSNA AIRCRAFT COMPANY
MODEL 172 (SERIES 1996 AND ON)
 ILLUSTRATED PARTS CATALOG

FIG ITEM	PART NUMBER	NOMENCLATURE	UNITS
			PER ASSY
01			
-		MICROPHONE & HEADSET INSTALLATION	RF
1	62800-007	. MICROPHONE-HANDHELD-100T INCLUDES MOUNTING BRACKET AND V28856 HARDWARE	01
2	S1102-1	. MICROPHONE JACK WAS S3175-12	05 R
3	S1612-1	. HEADSET JACK	04
4	520	. COVER FSO 520X V82389	NP
- 4A	520X	. COVER V82389	02
5	0515075-64	. JACK MOUNT BRACKET	02
6	300048-200	. HEADSET OPTION REPLACES 300048-100 V28856	AR
- 7		. CABIN TRIM REFER TO 25-20-10 FIGURE 01	RF
- 8		. CONSOLE REFER TO 53-22-00 FIGURE 02	RF

- ITEM NOT ILLUSTRATED

CESSNA AIRCRAFT COMPANY
MODEL 172 (SERIES 1996 AND ON)
ILLUSTRATED PARTS CATALOG

B121



STATIC DISCHARGER INSTALLATION
FIGURE 01 (SHEET 1)

0510R1001
A0518R2002
B0518R2002
C0518R2002

CESSNA AIRCRAFT COMPANY
MODEL 172 (SERIES 1996 AND ON)
ILLUSTRATED PARTS CATALOG

FIG ITEM	PART NUMBER	NOMENCLATURE	UNITS	
			PER	ASSY
01		STATIC DISCHARGER INSTALLATION		RF
-				
1	C592001-0201	. STATIC DISK WICK 172	08001	81566 10
- 1A	C592001-0201	. STATIC DISK WICK 172S	08001	11004 10
- 1B	C592001-0203	. WICK-STATIC DISCHARGE REPLACEMENT OPT, (2 PART) AIRPLANES INCORPORATING MK172-23-01 172	81567	& ON 10
- 1C	C592001-0203	. WICK-STATIC DISCHARGE REPLACEMENT OPT, (2 PART) AIRPLANES INCORPORATING MK172-23-01 172S	11005	& ON 10
- 1D	C592001-0205 BASE-REPLACEMENT OPT, (2 PART) AIRPLANES INCORPORATING MK172-23-01		01 R
- 1E	C592001-0204 DISCHARGE WICK-REPLACEMENT OPT, (2 PART) AIRPLANES INCORPORATING MK172-23-01		01
- 1F	NAS1149DN432J	. WASHER		AR
2	1570102-26	. GROUNDING STRAP		02
3	1570102-12	. STRAP ASSY-BONDING RUDDER 172	80001	81568 01
- 3A	1570102-12	. STRAP ASSY-BONDING RUDDER 172S	08001	11034 01
- 3B	1570102-36	. STRAP ASSY-BONDING RUDDER 172	81569	& ON 01
- 3C	1570102-36	. STRAP ASSY-BONDING RUDDER 172S	11035	& ON 01
4	1570102-14	. STRAP ASSY-BONDING HORIZONTAL STABILIZER		02
		ATTACHING PARTS		
5	MS35206-243	. SCREW		01
6	MS21044N08	. NUT		01
		—*—		
7	1570102-19	. STRAP ASSY-BONDING 172	08001	81566 02
- 7A	1570102-19	. STRAP ASSY-BONDING 172S	08001	11004 02
- 7B	S3798-1-4	. JUMPER CABLE ASSY 172	81567	& ON 02
- 7C	S3798-1-4	. JUMPER CABLE ASSY 172S	11005	& ON 02
		ATTACHING PARTS		
8	MS35206-243	. SCREW 172	08001	81566 01
- 8A	MS35206-243	. SCREW 172S	08001	11004 01
9	MS21044N08	. NUT 172	08001	81566 01
- 9A	MS21044N08	. NUT 172S	08001	11004 01
10	AN525-10R6	. SCREW 172	08001	81566 01
- 10A	AN525-10R6	. SCREW 172S	08001	11004 01
- 10B	MS35207-263	. SCREW 172	81567	& ON 01
- 10C	MS35207-263	. SCREW 172S	11005	& ON 01
11	MS21044N3	. NUT 172	08001	81566 01
- 11A	MS21044N3	. NUT 172S	08001	11004 01
- 11B	MS21047-3	. NUTPLATE 172	81567	& ON 01
- 11C	MS21047-3	. NUTPLATE 172S	11005	& ON 01
		—*—		
- 12		. AILERONS REFER TO 57-60-00 FIGURE 01		RF
- 13		. ELEVATORS REFER TO 55-20-00 FIGURE 01		RF
- 14		. RUDDER REFER TO 55-40-00 FIGURE 01		RF

- ITEM NOT ILLUSTRATED

CHAPTER

24

ELECTRICAL POWER

CESSNA AIRCRAFT COMPANY
MODEL 172 (SERIES 1996 AND ON)
 ILLUSTRATED PARTS CATALOG

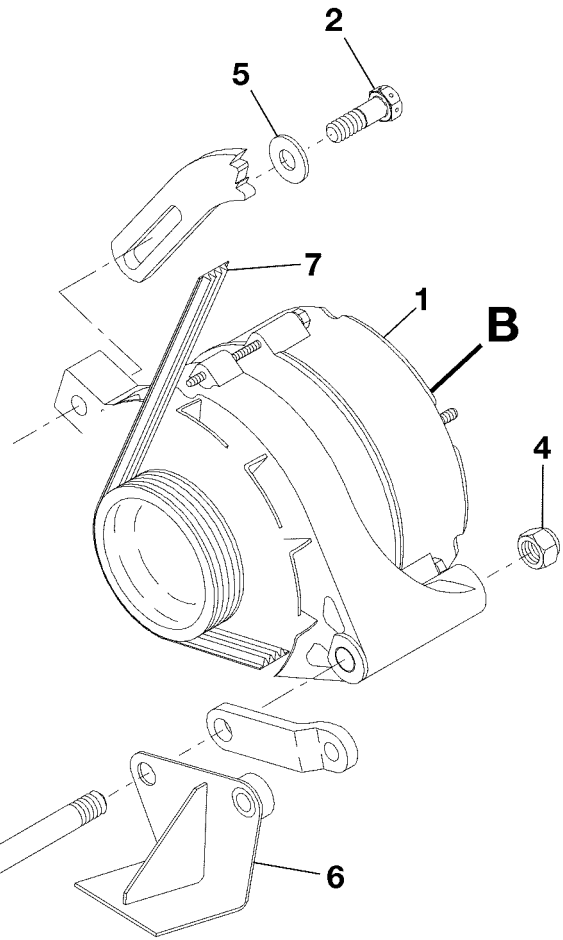
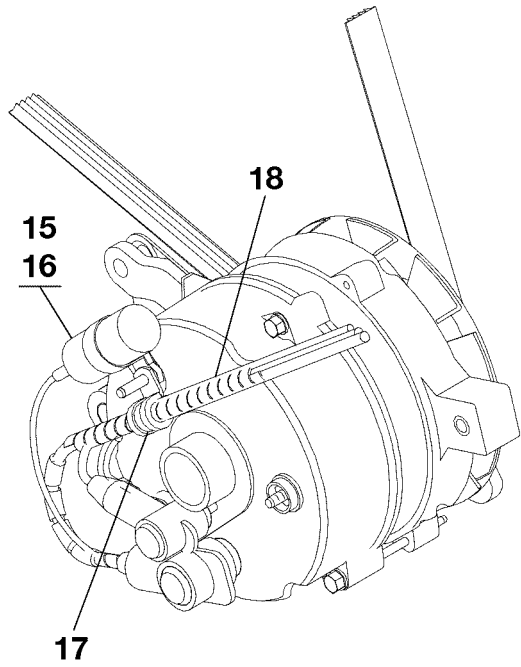
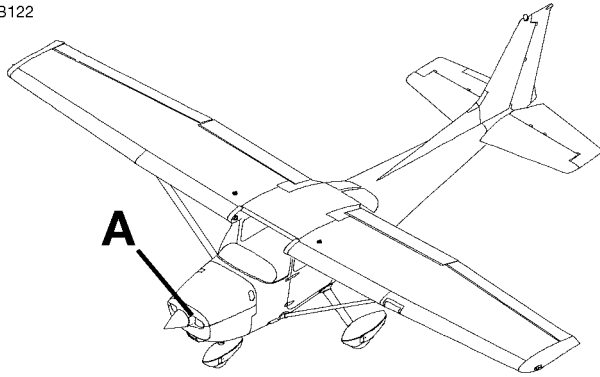
CHAPTER SECTION SUBJECT		NUMBER OF PAGES	DATE
24 - TITLE			
24 - LIST OF EFFECTIVE PAGES			
24 - RECORD OF TEMPORARY REVISIONS			
24 - TABLE OF CONTENTS			
24-20-00	Figure 01	2	Jul 1/2015
24-34-00	Figure 01	2	Jul 1/2015
24-34-00	Figure 02	2	Jul 1/2015
24-60-00	Figure 01	2	Jul 1/2016
24-60-01	Figure 01	2	Jan 1/2009
24-61-00	Figure 01	2	Jan 1/2007
24-61-00	Figure 01A	2	Jan 2/2006
24-61-00	Figure 01B	4	Jul 1/2013
24-61-00	Figure 02	4	Jan 2/2006
24-61-00	Figure 03	2	Jan 2/2006
24-61-00	Figure 03A	4	Jan 2/2006
24-61-00	Figure 04	4	Jan 1/2009
24-61-00	Figure 05	4	Jan 2/2006
24-61-00	Figure 06	4	Jan 2/2006
24-61-00	Figure 07	2	Jan 2/2006
24-61-00	Figure 08	2	Jan 2/2006
24-61-00	Figure 09	2	Jan 2/2006
24-61-00	Figure 10	2	Jan 2/2006
24-61-00	Figure 11	2	Jan 2/2006
24-61-00	Figure 12	2	Jan 2/2006
24-61-00	Figure 13	2	Jan 2/2006
24-61-00	Figure 14	2	Jan 2/2006
24-61-00	Figure 15	2	Jan 2/2006

CESSNA AIRCRAFT COMPANY
MODEL 172 (SERIES 1996 AND ON)
 ILLUSTRATED PARTS CATALOG

<u>SUBJECT</u>	<u>CHAPTER SECTION SUBJECT</u>	<u>FIGURE</u>	<u>EFFECTIVITY</u>	
			<u>START</u>	<u>END</u>
ALTERNATOR INSTALLATION	24-20-00	01		
BATTERY INSTALLATION	24-34-00	01		
STANDBY BATTERY INSTALLATION-NAV III	24-34-00	02	81241 09810	& ON & ON
POWER JUNCTION BOX INSTALLATION	24-60-00	01		
POWER CONVERTER INSTALLATION	24-60-01	01		
CIRCUIT BREAKER PANEL ASSEMBLY	24-61-00	01		
CIRCUIT BREAKER PANEL ASSEMBLY	24-61-00	01A	80984 08704	& ON & ON
CIRCUIT BREAKER PANEL ASSEMBLY-NAV III	24-61-00	01B	81241 09810	& ON & ON
AVIONICS CIRCUIT BREAKER PANEL-STANDARD	24-61-00	02		
AVIONICS CIRCUIT BREAKER PANEL-NAV 1	24-61-00	03		
AVIONICS CIRCUIT BREAKER PANEL-NAV 1 WITH ADF	24-61-00	03A		
AVIONICS CIRCUIT BREAKER PANEL-NAV 2 WITH IFR	24-61-00	04		
AVIONICS CIRCUIT BREAKER PANEL-NAV 2 WITH HSI	24-61-00	05		
AVIONICS CIRCUIT BREAKER	24-61-00	06		
AVIONICS CIRCUIT BREAKER PANEL-NAV 2 WITH HSI/ADF	24-61-00	07		
AVIONICS CIRCUIT BREAKER PANEL-NAV 2 WITH MFD	24-61-00	08		
AVIONICS CIRCUIT BREAKER PANEL-NAV 2 WITH ADF/MFD	24-61-00	09		
AVIONICS CIRCUIT BREAKER PANEL-NAV 2 WITH HSI/ADF/MFD	24-61-00	10		
AVIONICS CIRCUIT BREAKER PANEL-NAV 2 WITH HSI/MFD	24-61-00	11		
AVIONICS CIRCUIT BREAKER PANEL-NAV II WITH HSI/MFD/FIS	24-61-00	12		
AVIONICS CIRCUIT BREAKER-NAV II WITH HSI/MFD/FIS/ADF	24-61-00	13		
AVIONICS CIRCUIT BREAKER-NAV II WITH MFD/FIS	24-61-00	14		
AVIONICS CIRCUIT BREAKER-NAV II WITH MFD/FIS/ADF	24-61-00	15		

CESSNA AIRCRAFT COMPANY
MODEL 172 (SERIES 1996 AND ON)
ILLUSTRATED PARTS CATALOG

B122



ALTERNATOR INSTALLATION
FIGURE 01 (SHEET 1)

0510T1007
A0550T1001
B0550T1001

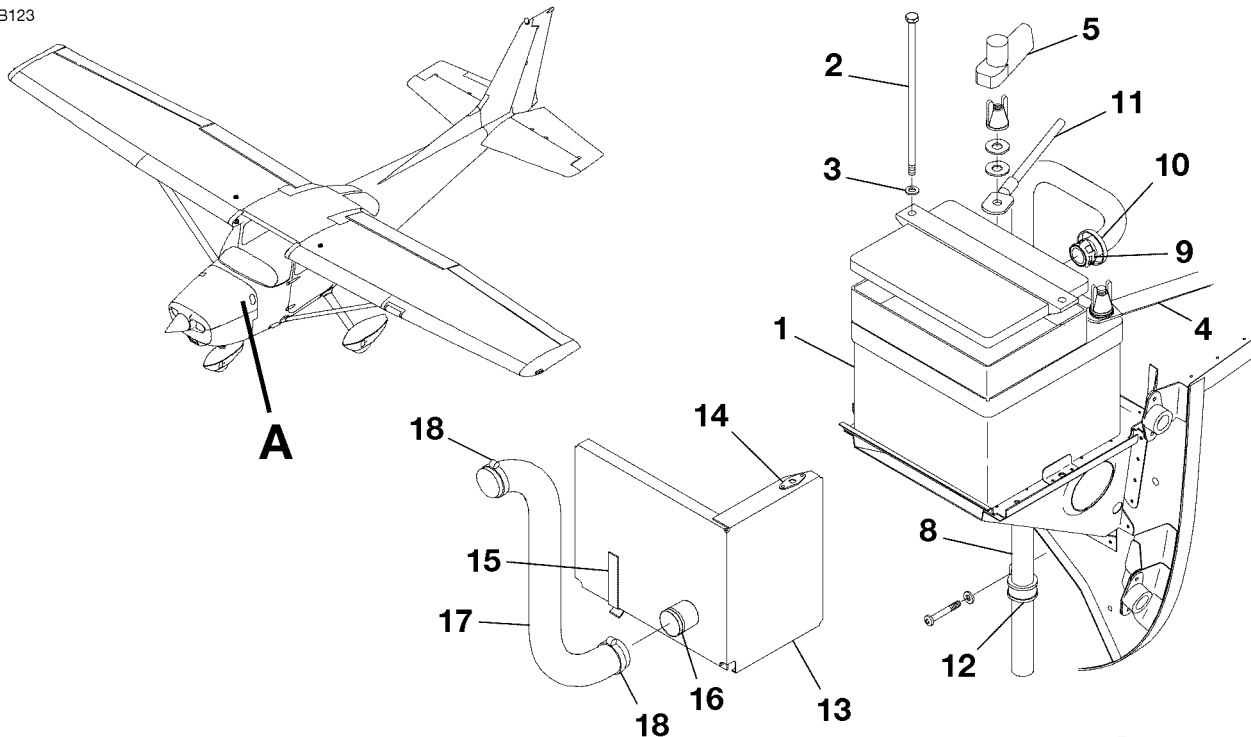
CESSNA AIRCRAFT COMPANY
MODEL 172 (SERIES 1996 AND ON)
ILLUSTRATED PARTS CATALOG

FIG ITEM	PART NUMBER	NOMENCLATURE	UNITS	
			PER	ASSY
01		ALTERNATOR INSTALLATION		RF
-		. ALTERNATOR ASSY 172R FSO 9910591-11	80001	80325 NP
1	9910591-5	. ALTERNATOR ASSY 172R	80326	& ON 01
- 1A	9910591-11	. ALTERNATOR ASSY 172S		01
- 1B	9910591-11	. ATTACHING PARTS		01
2	0750220-1	. BOLT		01
3	AN7-43A	. BOLT		01
4	MS21045L7	. NUT		01
5	S1450-6-14-080	. WASHER		01
		—*—		
6	0552155-1	. BRACKET ASSY		01
7	378K4	. BELT-ALTERNATOR		01
- 8		. WIRE BUNDLE REFER TO WIRING DIAGRAM MANUAL		RF
- 9	MS21919WDG16	. CLAMP		01
- 10	MS21919WDG12	. CLAMP		01
- 11	MS21919WDG7	. CLAMP		01
- 12	MS35207-262	. SCREW		03
- 13	NAS1149F0332P	. WASHER		06
- 14	MS21042-3	. NUT		03
15	S1915-1	. CAPACITOR 172R FSO S1915-3	80001	80690 NP R
- 15A	S1915-1	. CAPACITOR 172SF SO S1915-3	08001	08049 NP R
16	S1915-3	. CAPACITOR 172R	80691	& ON 01
- 16A	S1915-3	. CAPACITOR 172S	08050	& ON 01
17	MS21919WDG6	. CLAMP		01
18	S1399-1-18.00	. SLEEVE		01
- 19		. ENGINE COMPONENTS REFER TO 71-00-01 FIGURE 01		RF

- ITEM NOT ILLUSTRATED

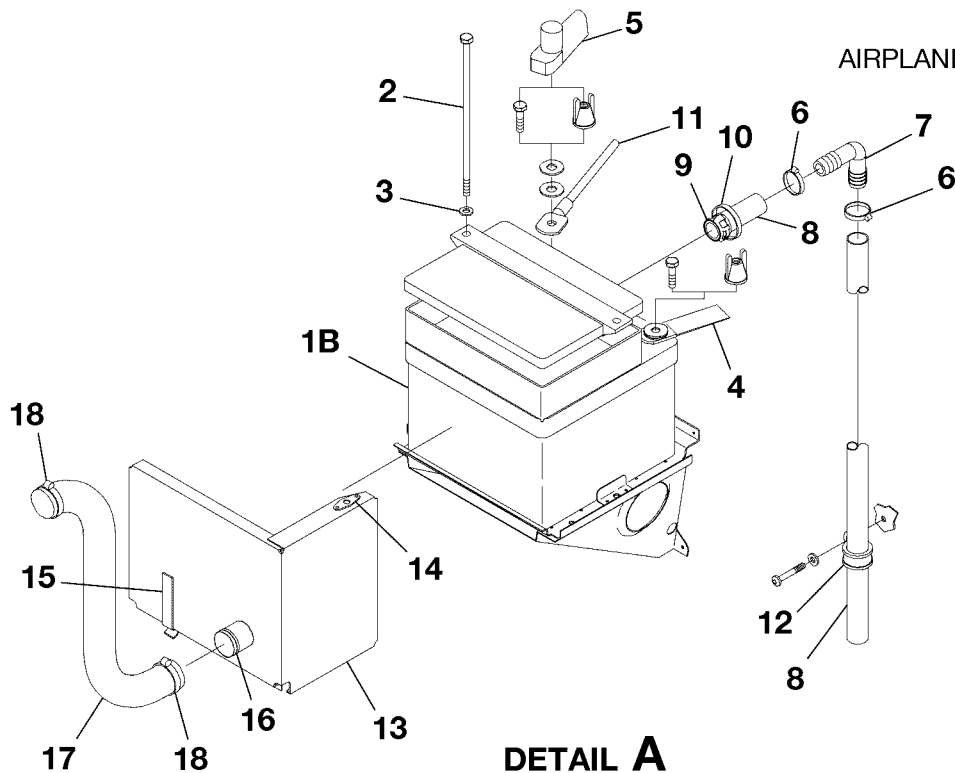
CESSNA AIRCRAFT COMPANY
MODEL 172 (SERIES 1996 AND ON)
 ILLUSTRATED PARTS CATALOG

B123



DETAIL A

AIRPLANES -80001 THRU -80003



DETAIL A

MAIN BATTERY INSTALLATION
 AIRPLANES -80004 AND ON AND
 AIRPLANES -08001 AND ON

BATTERY INSTALLATION
 FIGURE 01 (SHEET 1)

0510T1007
 A0518T1023
 A0518T1023

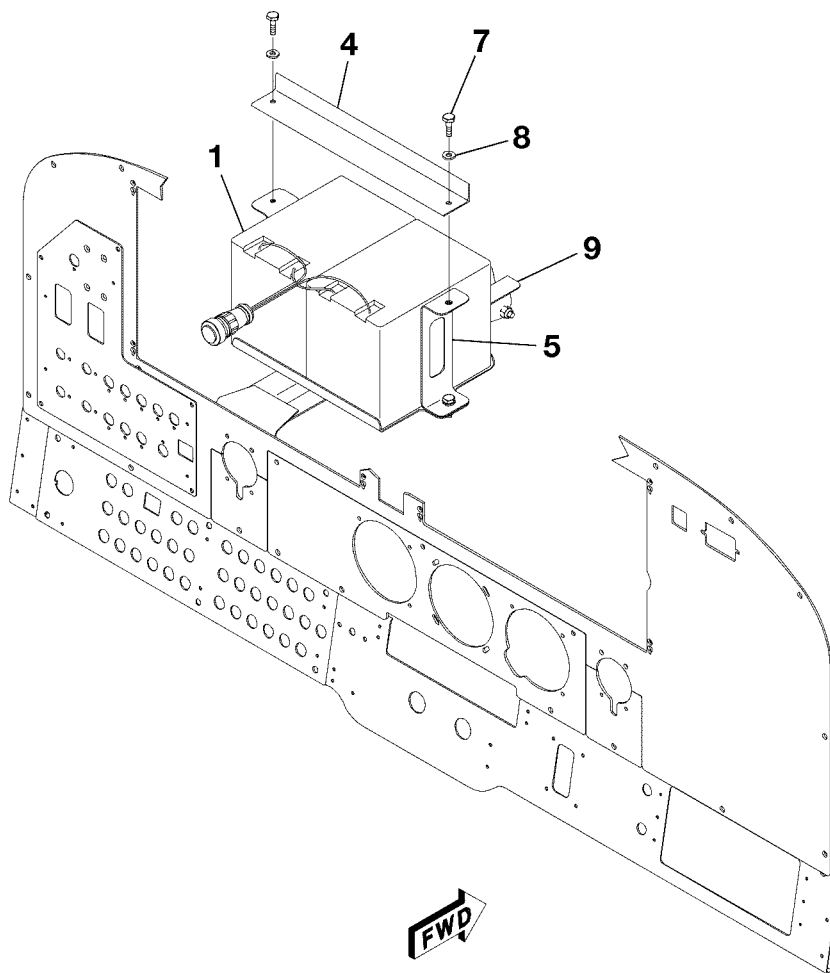
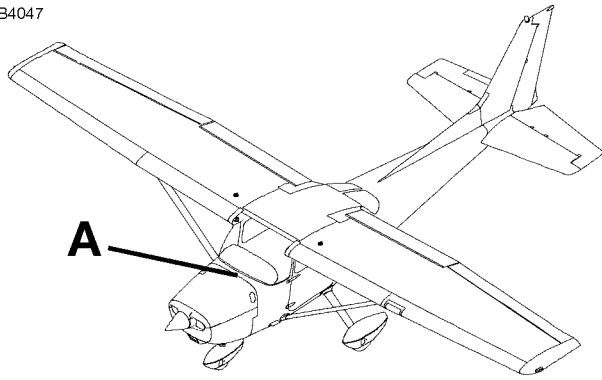
CESSNA AIRCRAFT COMPANY
MODEL 172 (SERIES 1996 AND ON)
ILLUSTRATED PARTS CATALOG

FIG ITEM	PART NUMBER	NOMENCLATURE	UNITS	
			PER	ASSY
01		BATTERY INSTALLATION		RF
-				
1	C614002-0101	. BATTERY ASSY-MANIFOLD STANDARD 172 REF G-241 UN002	80001	& ON 01 R
- 1A	C614002-0101	. BATTERY ASSY-MANIFOLD STANDARD 172S REF G-241 UN002	08001	& ON 01 R
1B	RG24-15M	. BATTERY ASSY-MANIFOLD SEALED 172 UN002	V63017	81623 & ON 01 R
- 1C	RG24-15M	. BATTERY ASSY-MANIFOLD SEALED 172S UN002	V63017	11436 & ON 01 R
- 1D	C614002-0102	. BATTERY ASSY-HEAVY DUTY 172S REF G-243 UN035		01 R
		ATTACHING PARTS		
2	S2480-1	. BOLT		02
3	NAS1149F0463P	. WASHER		02
		—*—		
4	0412007-15	. STRAP-BATTERY GROUND		01
5	0770741-1	. COVER-TERMINAL		01
6	MS3367-1-9	. TIE STRAP		02
7	S2421-10P	. ELBOW		01
8	S1775-7	. TUBE-BATTERY DRAIN BKI		01
- 8A	S1775-7	. TUBE-BATTERY DRAIN BKI		02
		ATTACHING PARTS		
9	NAS397-14	. CLAMP		01
10	MS3367-1-9	. TIE STRAP		01
		—*—		
11	0570512-2	. CABLE ASSY-BATTERY		01
12	MS21919WDG12	. CLAMP		01
13	0553028-1	. SHIELD ASSY		01
14	NAS463W416	. SPACER		01
15	0553028-3	. RETAINER		01
16	0553028-4	. TUBE		01
17	S1053E8T	. DUCT-24.0 IN LG BKI		01
		ATTACHING PARTS		
18	S1891-12H	. CLAMP-REPLACES S1891-12		02
		—*—		

- ITEM NOT ILLUSTRATED

CESSNA AIRCRAFT COMPANY
MODEL 172 (SERIES 1996 AND ON)
ILLUSTRATED PARTS CATALOG

B4047



DETAIL A

0510T1007
A0518T1113

STANDBY BATTERY INSTALLATION-NAV III
FIGURE 02 (SHEET 1)

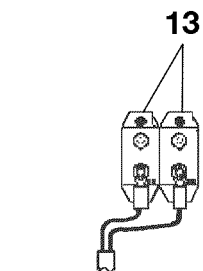
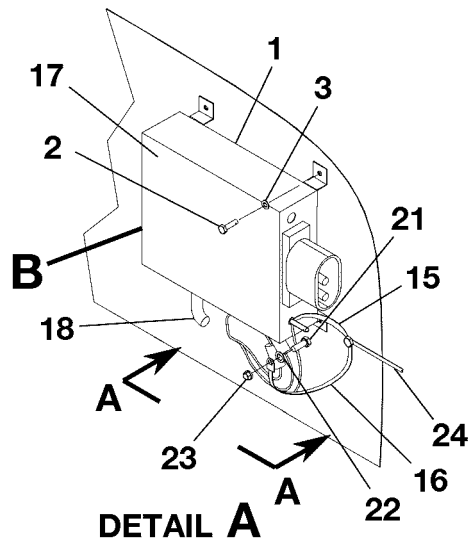
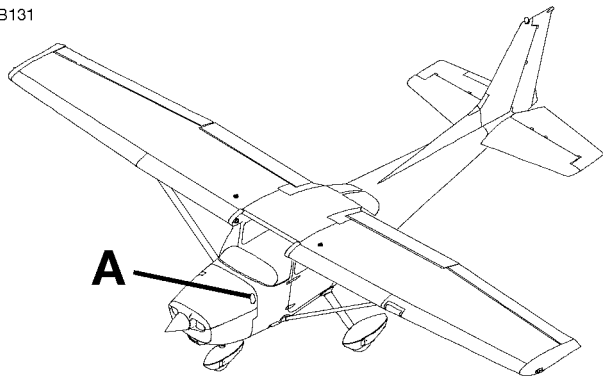
CESSNA AIRCRAFT COMPANY
MODEL 172 (SERIES 1996 AND ON)
 ILLUSTRATED PARTS CATALOG

FIG ITEM	PART NUMBER	NOMENCLATURE	UNITS PER ASSY		
			1	2	3
02					
-		STANDBY BATTERY INSTALLATION-NAV III		81241 & ON	RF
				09810 & ON	
1	AVT-200413	. BATTERY PACK 172 UC005	V0MBZ4	81241	81563
- 1A	AVT-200413	. BATTERY PACK 172S UC005	V0MBZ4	09810	11032
- 1B	S4236-7	. BATTERY PACK ASSY 172 UC007 ALT FOR AVT-200413			01
- 1C	S4236-7	. BATTERY PACK ASSY 172S UC007 ALT FOR AVT-200413			01 R
- 2	S4236-10	. . WIRE BUNDLE ASSEMBLY			01
- 3	ATM-25	. . . FUSE	V71400		01
4	3930378-24	. BATTERY ANGLE REFER TO NOTE 1			01
5	3930378-6	. BRACKET ASSEMBLY			01
- 6	MS21059L3	. . NUTPLATE			01
7	AN3-4A	. BOLT			03
8	NAS1149F0332P	. WASHER			03
9		. AVIONICS SUPPORT STRUCTURE-FWD REFER TO 53-10-00 FIGURE 03 . .			RF

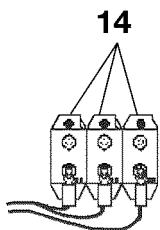
NOTE 1—IF REQUIRED, SHIM GAP BETWEEN BATTERY ANGLE AND BRACKET AS REQUIRED, USING STANDARD WASHERS, NAS1149 SERIES OR EQUIVALENT.

CESSNA AIRCRAFT COMPANY
MODEL 172 (SERIES 1996 AND ON)
 ILLUSTRATED PARTS CATALOG

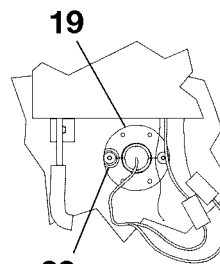
B131



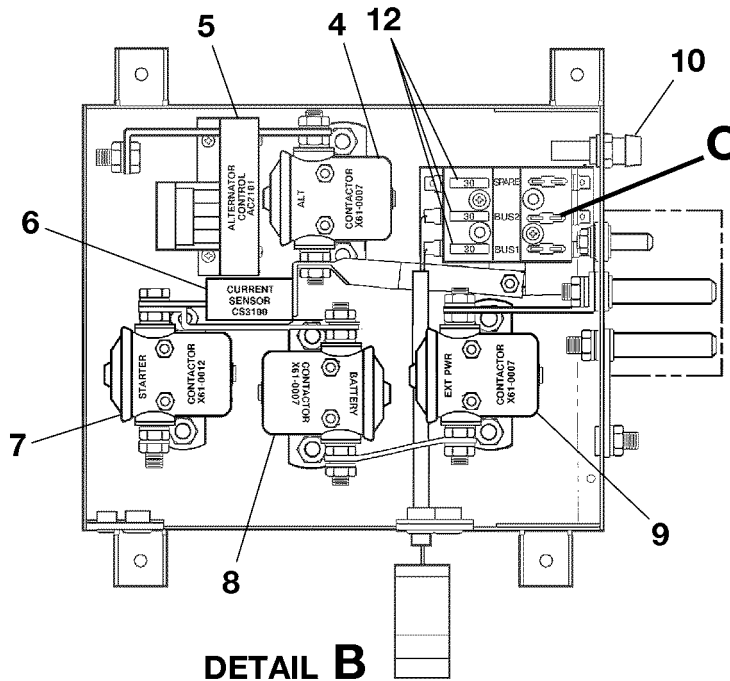
DETAIL C
 INCOPORATING
 SB00-24-01



DETAIL C
 INCOPORATING
 SB05-24-01



VIEW A-A



DETAIL B

POWER JUNCTION BOX INSTALLATION
 FIGURE 01 (SHEET 1)

0510T1007
 A0558T1001
 AA0558T1001

CESSNA AIRCRAFT COMPANY

MODEL 172 (SERIES 1996 AND ON)

ILLUSTRATED PARTS CATALOG

FIG ITEM	PART NUMBER	NOMENCLATURE	UNITS PER ASSY	
		1 2 3 4 5 6 7		
01		POWER JUNCTION BOX INSTALLATION		RF
-		MASTER CONTROL UNIT 172	V3RCD2 80001	80003 01
1	MC01-1	MASTER CONTROL UNIT 172 FSO S3100-606	V3RCD2 80004	80690 NP R
- 1A	MC01-2	MASTER CONTROL UNIT 172S FSO S3100-606	V3RCD2 08001	08049 NP R
- 1B	MC01-2	MASTER CONTROL UNIT 172 FSO S3100-606	V3RCD2 80691	80846 NP R
- 1C	MC01-2A	MASTER CONTROL UNIT 172S FSO S3100-606	V3RCD2 08050	08365 NP R
- 1D	MC01-2A	MASTER CONTROL UNIT REF MC01-2A(MOD IC7) 172 FSO S3100-606	80847	80983 NP R
- 1E	S3100-137	MASTER CONTROL UNIT REF MC01-2A(MOD IC7) 172S FSO S3100-606	08366	08703 NP R
- 1F	S3100-137	MASTER CONTROL UNIT REF MC01-3A(MOD IC7 & IC8) 172 FSO	80984	81185 NP
- 1G	S3100-138	MASTER CONTROL UNIT REF MC01-3A(MOD IC7 & IC8) 172S FSO	08704	09475 NP
- 1H	S3100-138	MASTER CONTROL UNIT REF MC01-3A(MOD IC9) 172 FSO 3100-594	81186	81230 NP
- 1J	S3100-297	MASTER CONTROL UNIT REF MC01-3A(MOD IC9) 172S FSO 3100-594	09476	09740 NP
- 1K	S3100-297	MASTER CONTROL UNIT REF MC01-3A(MOD IC10) 172 FSO 3100-594	81231	81149 NP
- 1L	S3100-344	MASTER CONTROL UNIT REF MC01-3A(MOD IC10) 172S FSO 3100-594	09741	10608 NP
- 1M	S3100-344	MASTER CONTROL UNIT REF MC01-3A(MOD IC11) 172 FSO 3100-594	81150	81592 NP
- 1N	S3100-366	REFER TO NOTE 3		
- 1P	S3100-366	MASTER CONTROL UNIT REF MC01-3A(MOD IC11) 172S FSO 3100-594	10609	11126 NP
- 1Q	S3100-549	REFER TO NOTE 3		
- 1R	S3100-549	MASTER CONTROL UNIT REF MC01-3A (MOD IC12 & IC13) 172 FSO	81593	81622 NP
- 1S	S3100-587	MASTER CONTROL UNIT REF MC01-3A (MOD IC12 & IC13) 172S FSO	11127	11320 NP
- 1T	S3100-594	MASTER CONTROL UNIT REF MC01-3A (MOD IC14 ONLY) 172S FSO	11321	11475 NP
- 1U	S3100-594	MASTER CONTROL UNIT REF MC01-3A (MOD IC14 ONLY) 172	81623	& ON 01
- 1V	S3100-606	MASTER CONTROL UNIT REF MC01-3A (MOD IC14 ONLY) 172S	11476	& ON 01
- 1W	S3100-606	MASTER CONTROL UNIT REF MC01-2A(MOD IC8 & ON) 172		01 R
		MASTER CONTROL UNIT REF MC01-2A(MOD IC8 & ON) 172S		01 R
		ATTACHING PARTS		
2	AN3CH5A	BOLT		04
3	NAS1149C0332R	WASHER		04
		—*—		
4	X61-0007	CONTACTOR-ALTERNATOR	V3RCD2	01
5	AC2101	ALTERNATOR CONTROL UNIT-WAS AC2100	V3RCD2	01
6	CS3100	TRANSDUCER-AMMETER 172 FSO CS3200	V3RCD2 80001	81233 NP
- 6A	CS3100	TRANSDUCER-AMMETER 172S FSO CS3200	V3RCD2 08001	09740 NP
- 6B	CS3200	CURRENT SENSOR KIT-AMMETER 172	V3RCD2 80001	81233 01
- 6C	CS3200	CURRENT SENSOR KIT-AMMETER 172S	V3RCD2 08001	09740 01
- 6D	CS3200-1	CURRENT SENSOR 172	V3RCD2 81234	& ON 01
- 6E	CS3200-1	CURRENT SENSOR 172S	V3RCD2 09741	& ON 01
7	X61-0012	CONTACTOR-STARTER FSO X61-0027	V3RCD2	01
8	X61-0007	CONTACTOR-BATTERY	V3RCD2	01
9	X61-0007	CONTACTOR-EXTERNAL POWER	V3RCD2	01
10	F52-0002	FUSE HOLDER-CAP ASSY-J BOX	V3RCD2	01
- 11	F51-0003	FUSE-CLOCK	V3RCD2	02
12	F51-0002	FUSE-30 AMP	V3RCD2	03
13	F53-0003	CIRCUIT BREAKER-30 AMP REFER TO NOTE 1	V3RCD2	02
14	F53-0006	CIRCUIT BREAKER-40 AMP REFER TO NOTE 2	V3RCD2	02
15	0412007-18	GROUND STRAP		01
16	0412007-15	GROUND STRAP		01
17	N52-0007	COVER		01
18	S2562-2	TUBING		01
19	0553032-1	SEAL ASSY-FIREWALL 172	80001	81535 01
- 19A	0553032-1	SEAL ASSY-FIREWALL 172S	80001	10770 01
- 19B	0553032-3	SEAL ASSY-FIREWALL 172	80984	81535 01
- 19C	0553032-3	SEAL ASSY-FIREWALL 172S	08704	10770 01
- 19D	0553047-2	SEAL ASSY-FIREWALL 172	81536	& ON 01
- 19E	0553047-2	SEAL ASSY-FIREWALL 172S	10771	& ON 01
20	MS35206-244	SCREW		01
21	AN5-4A	BOLT		01
22	NAS1149C0632R	WASHER		01
23	MS21043-5	NUT		01
24		BATTERY-WBA REFER TO 24-34-00 FIGURE 01		RF

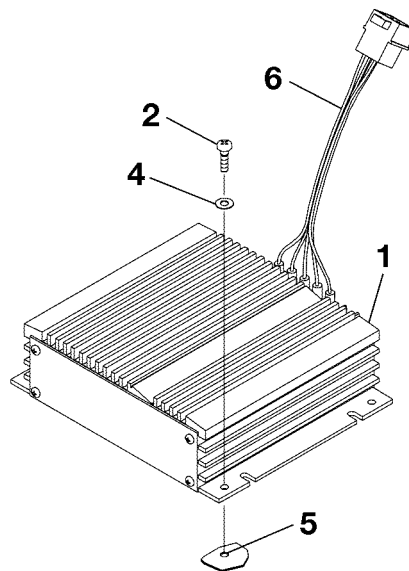
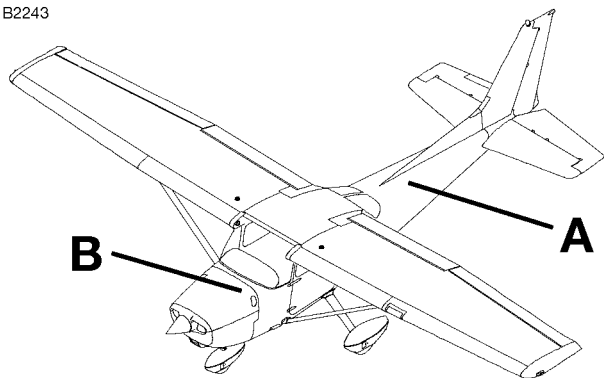
NOTE 1—AIRPLANES 17280001 THRU 17280839 AND AIRPLANES 1728001 THRU 1728358 INCORPORATING SB00-24-01.

NOTE 2—AIRPLANES 17281186 THRU 17281232, AIRPLANES 172S9476 THRU 172S9689, AND AIRPLANES 172S9691 THRU 172S9770 INCORPORATING SB05-24-01.

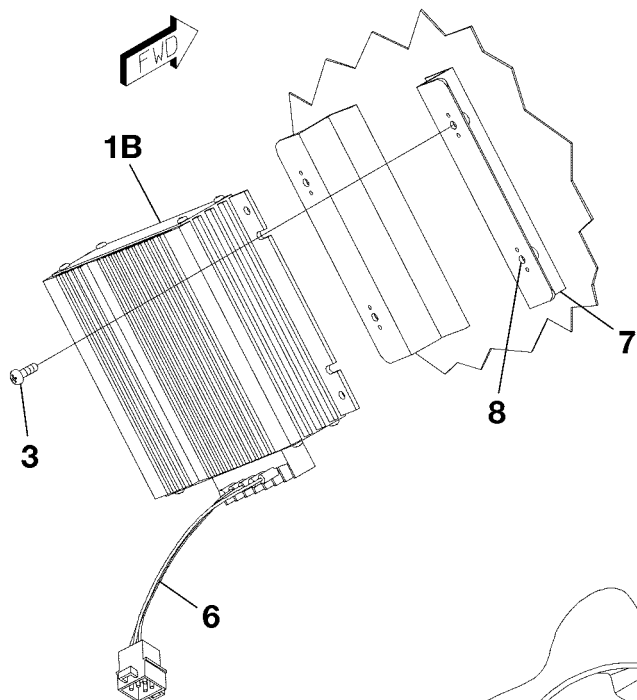
NOTE 3—IF THE S3100-549 (OR LATER) IS ORDERED FOR AIRPLANES 17280984 THRU 17281592 AND AIRPLANES 172S80704 THRU 172S11126, THE P52-0036 CONNECTOR COVER KIT WILL NEED TO BE INSTALLED ON THE UNUSED J-5 CONNECTOR.

CESSNA AIRCRAFT COMPANY
MODEL 172 (SERIES 1996 AND ON)
 ILLUSTRATED PARTS CATALOG

B2243

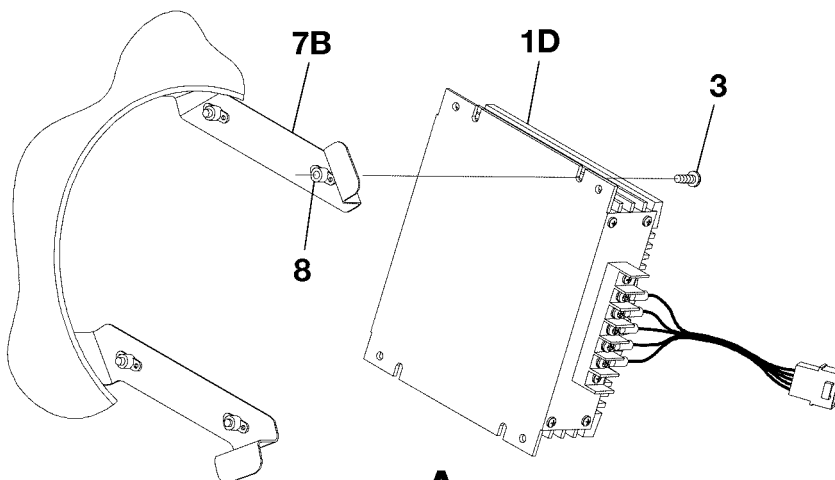


DETAIL A



DETAIL B

AIRPLANES 17281241 THRU
 17281496 AND
 AIRPLANES 172S09810 THRU
 172S10655
 WITH NAV III



DETAIL A

AIRPLANES 17281497 AND ON AND
 AIRPLANES 172S10656 AND ON
 WITH NAV III

0510T1007
 A0518T1068
 A0518T1156
 B0518T1121

POWER CONVERTER INSTALLATION
 FIGURE 01 (SHEET 1)

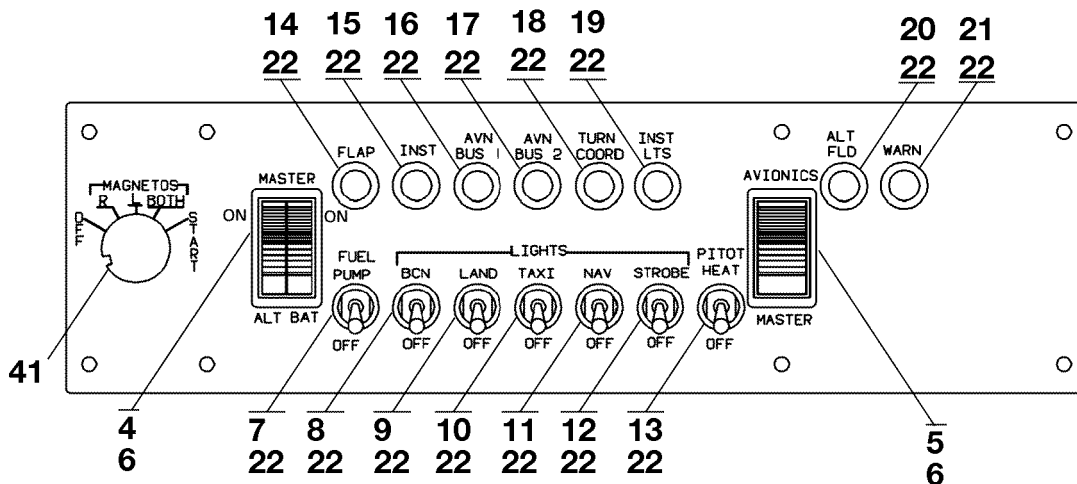
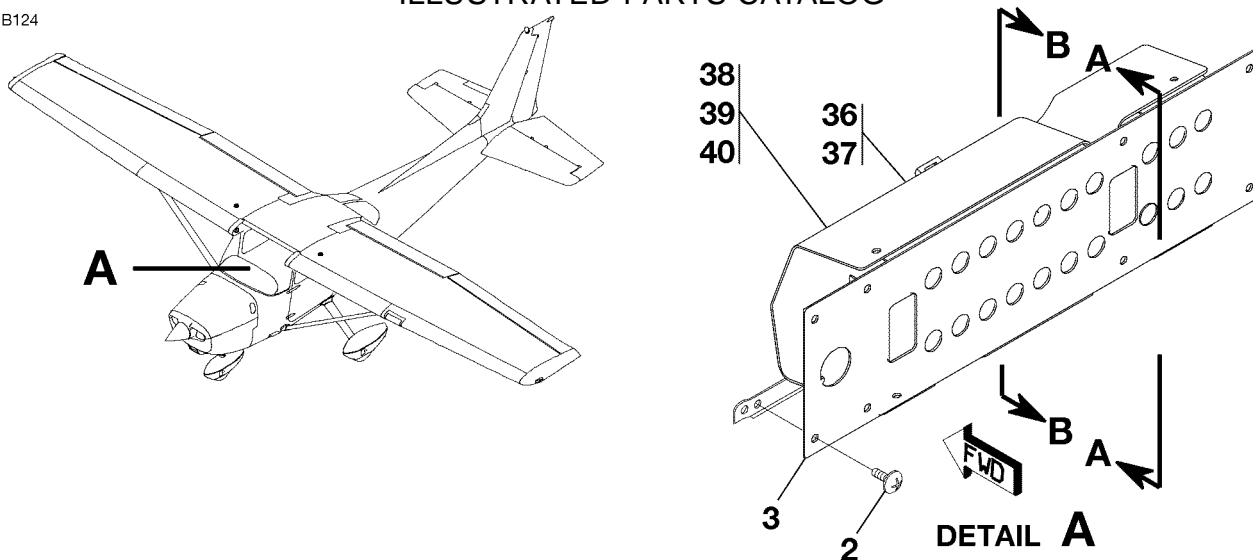
CESSNA AIRCRAFT COMPANY
MODEL 172 (SERIES 1996 AND ON)
 ILLUSTRATED PARTS CATALOG

FIG ITEM	PART NUMBER	NOMENCLATURE	UNITS	
			PER	ASSY
01		POWER CONVERTER INSTALLATION		RF
-				
1	0518021-1	. POWER CONVERTER ASSY 172	80984	& ON 01
- 1A	0518021-1	. POWER CONVERTER ASSY 172S	08704	& ON 01
1B	0518021-1	. POWER CONVERTER ASSY-NAV III 172	81241	81496 01 R
- 1C	0518021-1	. POWER CONVERTER ASSY-NAV III 172S	09810	10655 01 R
1D	0518021-1	. POWER CONVERTER ASSY-NAV III 172	81497	& ON 01 R
- 1E	0518021-1	. POWER CONVERTER ASSY-NAV III 172S	10656	& ON 01 R
		ATTACHING PARTS		
2	MS27039-0809	. SCREW		04 R
3	MS35206-245	. SCREW-NAV III		04 R
4	NAS1149FN816P	. WASHER		04 R
5	MS21069L08	. NUTPLATE		04 R
		—*—		
6	0570518-1	. . CABLE ASSY-POWER CONVERTER		01 R
7	0718021-2	. BRACKET ASSY-NAV III 172	81241	81496 02 R
- 7A	0718021-2	. BRACKET ASSY-NAV III 172S	09810	10655 02 R
7B	0518032-4	. BRACKET ASSY-NAV III 172	81497	& ON 02 R
- 7C	0518032-4	. BRACKET ASSY-NAV III 172S	10656	& ON 02 R
8	MS21069L08	. . NUTPLATE-NAV III		02

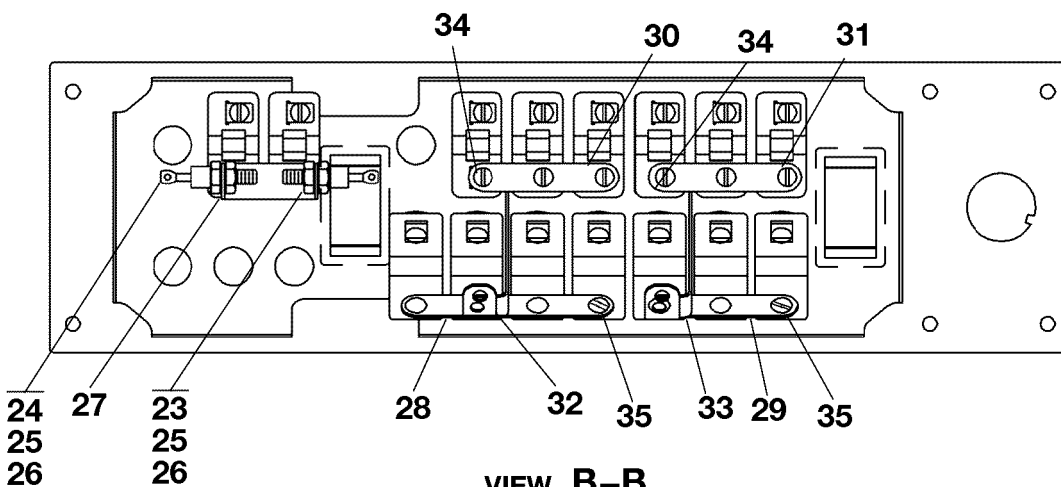
- ITEM NOT ILLUSTRATED

CESSNA AIRCRAFT COMPANY
MODEL 172 (SERIES 1996 AND ON)
 ILLUSTRATED PARTS CATALOG

B124



VIEW A-A



VIEW B-B

CIRCUIT BREAKER PANEL ASSEMBLY
 FIGURE 01 (SHEET 1)

0510T1007
 A0518T1015
 AA0585T1040
 BB0518T1016

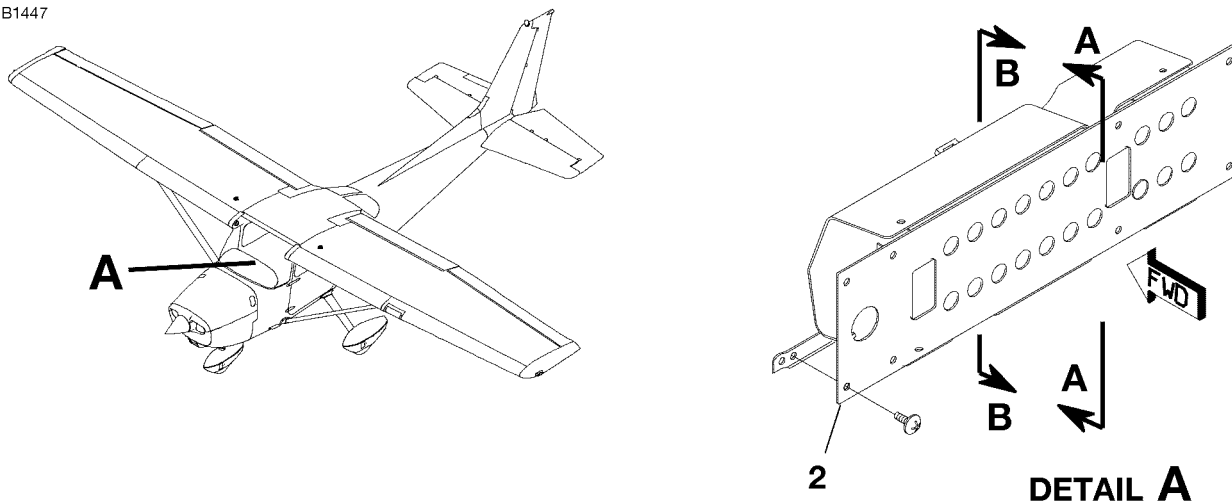
CESSNA AIRCRAFT COMPANY
MODEL 172 (SERIES 1996 AND ON)
ILLUSTRATED PARTS CATALOG

FIG ITEM	PART NUMBER	NOMENCLATURE	UNITS PER ASSY	
	1 2 3 4 5 6 7			
01		CIRCUIT BREAKER PANEL ASSEMBLY		RF
-			
- 1	0518003-4 PANEL ASSY-CIRCUIT BREAKER REPLACES 0518003-2 172	80001	80849 01
- 1A	0518003-4 PANEL ASSY-CIRCUIT BREAKER REPLACES 0518003-2 172S	8001	8376 01
- 1B	0518003-3 PANEL ASSY-CIRCUIT BREAKER SPLIT AVIONICS SW OPTION 172	80718	80849 01
- 1C	0518003-3 PANEL ASSY-CIRCUIT BREAKER SPLIT AVIONICS MASTER SW OPTION 172S	8118	8376 01
- 1D	0518003-6 PANEL ASSY-CIRCUIT BREAKER 172	80850	80983 01
- 1E	0518003-6 PANEL ASSY-CIRCUIT BREAKER 172S	8377	8703 01
- 1F	0518003-5 PANEL ASSY-CIRCUIT BREAKER SPLIT AVIONICS MASTER SW OPT 172	80850	80983 01
- 1G	0518003-5 PANEL ASSY-CIRCUIT BREAKER SPLIT AVIONICS MASTER SW OPT 172S	8377	8703 01
		ATTACHING PARTS		
2	CM3558-10-8B SCREW		08
		—*—		
3	0518011-4 PANEL ASSY 172	80001	80849 01
- 3A	0518011-4 PANEL ASSY 172S	8001	8393 01
- 3B	0518011-7 PANEL ASSY 172	80850	& ON 01
- 3C	0518011-7 PANEL ASSY 172S	8394	& ON 01
4	S3272-1-1 SWITCH-MASTER ALT BAT SI009		01
- 4A	0570512-1 WBA BATTERY SYSTEM REFER TO WDM		01
- 4B	0570513-2 WBA BUS BAR REFER TO WDM		NP
5	S3377-1-1 SWITCH-AVIONICS MASTER REPLACES S3271-1-1 SI001		01
- 5A	S3443-1-1 SWITCH SPLIT MASTER SW OPTION		01
6	S1843-1 BEZEL-SWITCH		02
7	CM3589-5 CIRCUIT BREAKER-FUEL PUMP HI012		01
- 7A	0570530-1 WBA FUEL PUMP		NP
8	CM3589-5 CIRCUIT BREAKER-BCN LIGHT HI004		01
9	CM3589-10 CIRCUIT BREAKER-LAND LIGHT HI001		01
10	CM3589-10 CIRCUIT BREAKER-TAXI LIGHT HI013		01
11	CM3589-5 CIRCUIT BREAKER-NAV LIGHT HI002		01
12	CM3589-5 CIRCUIT BREAKER-STROBE LIGHT HI005		01
13	CM3589-5 CIRCUIT BREAKER-PITOT HEAT HI006		01
14	S1360-10L CIRCUIT BREAKER-FLAP HI007		01
15	S1360-5L CIRCUIT BREAKER-INST HI009		01
16	S1360-15L CIRCUIT BREAKER-AVN BUS 1 HI023		01
17	S1360-15L CIRCUIT BREAKER-AVN BUS 2 HI024		01
18	S1360-5L CIRCUIT BREAKER-TURN COORD HI008		01
19	S1360-5L CIRCUIT BREAKER-INST LTS HI003		01
20	S1360-5L CIRCUIT BREAKER-ALT FLD HI010		01
21	S1360-5L CIRCUIT BREAKER-WARN HI022		01
22	S2122-1 NUT-KNURLED		15
23	1N6391 DIODE DI001		01
24	1N6391 DIODE DI002		01
		ATTACHING PARTS		
25	MS35333-39 LOCK WASHER		01
26	MS35650-305T NUT		01
		—*—		
27	0518013-4 BUS BAR-DIODE MOUNT HI021		01
28	6238373-42 BUS BAR HI014		01
29	6238373-30 BUS BAR HI016		01
30	6238373-3 BUS BAR HI014		01
31	6238373-3 BUS BAR HI016		01
32	0518013-2 BUS BAR-JUMPER HI014		01
33	0518013-2 BUS BAR-JUMPER HI016		01
34	MS35206-226 SCREW		02
35	MS35206-241 SCREW		02
36	0518022-1 COVER-CIRCUIT BREAKER BACK 172 AND AIRPLANES INCORPORATING MK172-24-02	80850	& ON 01
37	0518022-1 COVER-CIRCUIT BREAKER BACK 172S AND AIRPLANES INCORPORATING MK172-24-02	8377	& ON 01
38	NAS1149FN816P WASHER		01
39	S1741-5 ANCHOR		01
40	AN525-832R7 SCREW		01
41	 IGNITION SWITCH REFER TO 74-00-00 FIGURE 01		RF R
		ATTACHING PARTS		
- 42	AN525-832R7 SCREW		04
		—*—		
- 43	0570511-1 MAGNETO WBA REFER TO WDM		01
- 44	0570513-3 WBA-BUS BAR SW PANEL REFER TO WDM		01
- 45	0570514-1 WBA-BUS BAR SW PANEL/SPLIT AVIONICS MASTER SW		01

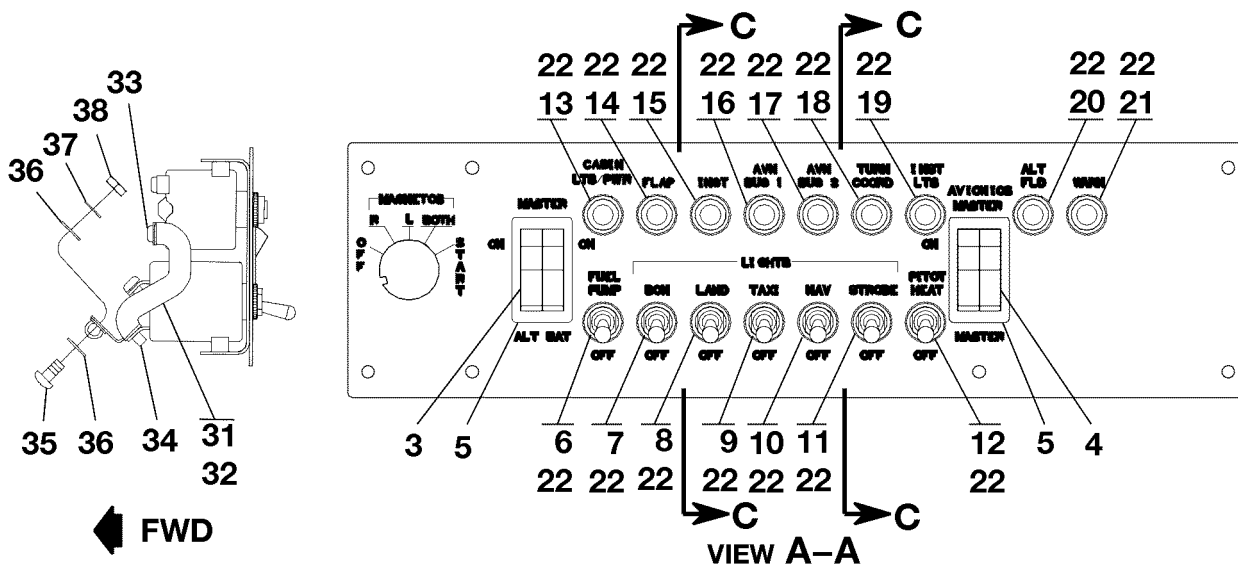
- ITEM NOT ILLUSTRATED

CESSNA AIRCRAFT COMPANY
MODEL 172 (SERIES 1996 AND ON)
 ILLUSTRATED PARTS CATALOG

B1447

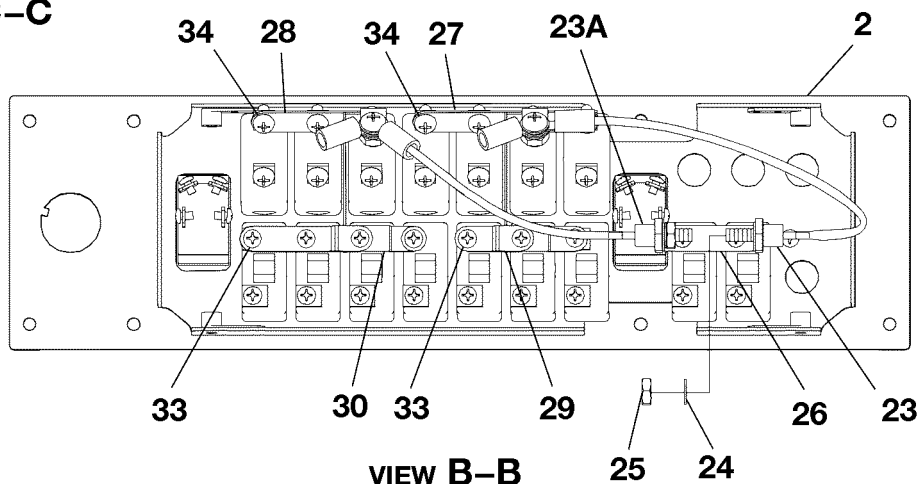


DETAIL A



VIEW A-A

VIEW C-C



VIEW B-B

**CIRCUIT BREAKER PANEL ASSEMBLY
 FIGURE 01A (SHEET 1)**

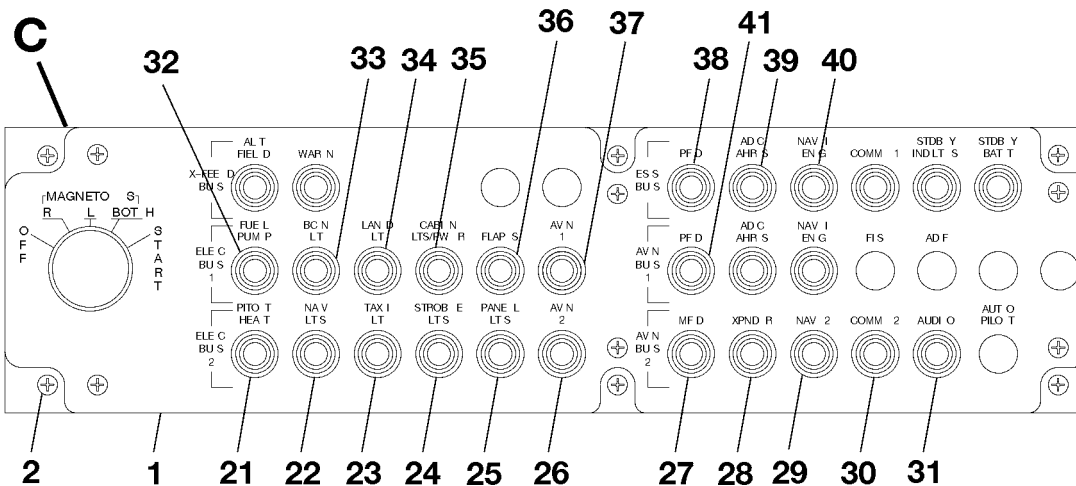
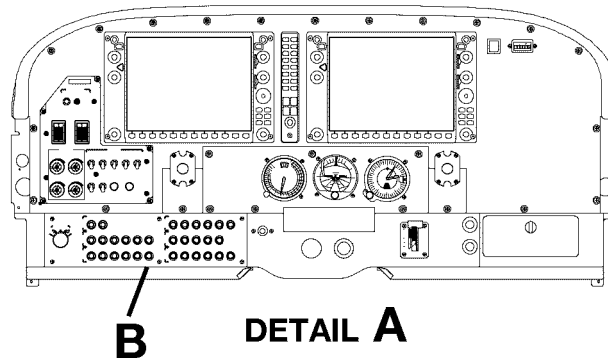
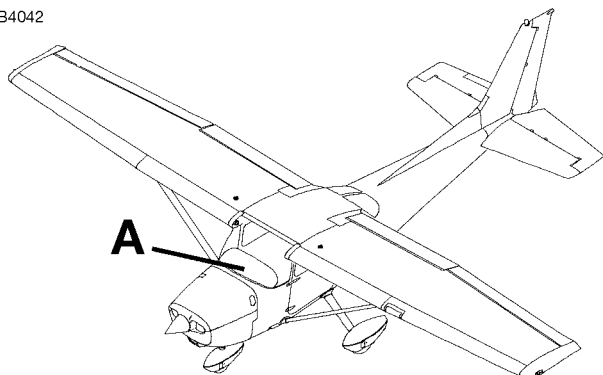
0510T1007
 A0518T1015
 AA0518T1090
 BB0518T1089
 CC0518T1091

CESSNA AIRCRAFT COMPANY
MODEL 172 (SERIES 1996 AND ON)
ILLUSTRATED PARTS CATALOG

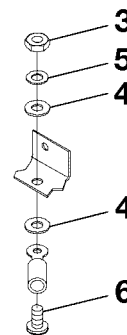
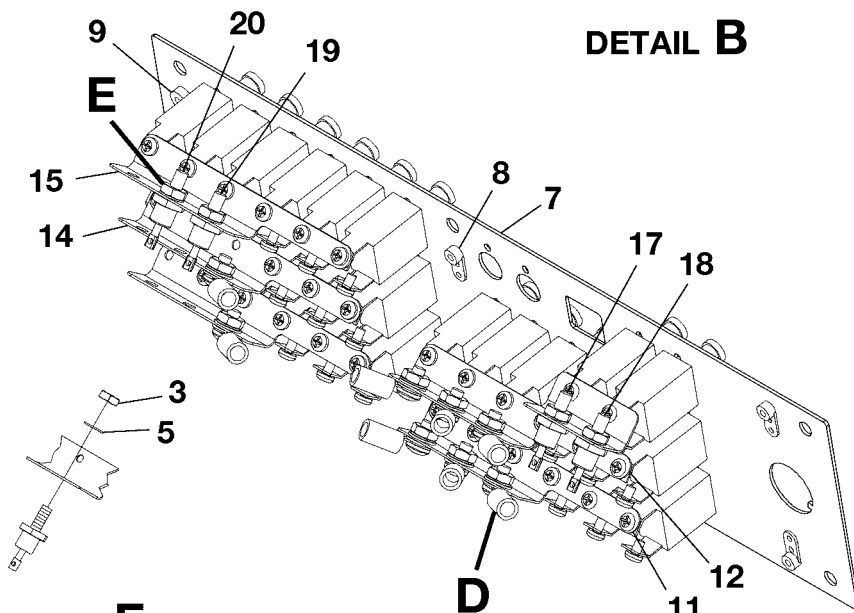
FIG ITEM	PART NUMBER	NOMENCLATURE	UNITS PER ASSY	
			1 2 3 4 5 6 7	
01A				
-		CIRCUIT BREAKER PANEL ASSEMBLY	80984	& ON RF R
			08704	& ON
- 1	0518003-7	. CIRCUIT PANEL ASSEMBLY		01 R
2	0518011-10	. . PANEL ASSEMBLY		01 R
3	S3272-1-1	. . SWITCH-MASTER ALT BAT SI009		01 R
4	S3443-1-1	. . SWITCH-AVIONICS MASTER SI010		01 R
5	S1843-1	. . MOUNTING BEZEL-SWITCH		02 R
6	CM3589-5	. . CIRCUIT BREAKER-FUEL PUMP SWITCH HI012		01 R
7	CM3589-5	. . CIRCUIT BREAKER-BEACON LIGHT SWITCH HI004		01 R
8	CM3589-10	. . CIRCUIT BREAKER-LAND LIGHT SWITCH HI001		01 R
9	CM3589-10	. . CIRCUIT BREAKER-TAXI LIGHT SWITCH HI013		01 R
10	CM3589-5	. . CIRCUIT BREAKER CI-NAV LIGHT SWITCH HI002		01 R
11	CM3589-5	. . CIRCUIT BREAKER-STROBE LIGHT SWITCH HI005		01 R
12	CM3589-5	. . CIRCUIT BREAKER-PITOT HEAT SWITCH HI006		01 R
13	S1360-5L	. . CIRCUIT BREAKER-CABIN LIGHTS/POWER HI015		01 R
14	S1360-10L	. . CIRCUIT BREAKER-FLAP HI007		01 R
15	S1360-5L	. . CIRCUIT BREAKER-INST HI009		01 R
16	S1360-15L	. . CIRCUIT BREAKER-AVN BUS 1 HI023		01 R
17	S1360-15L	. . CIRCUIT BREAKER-AVN BUS 2 HI024		01 R
18	S1360-5L	. . CIRCUIT BREAKER-TURN COORD HI008		01 R
19	S1360-5L	. . CIRCUIT BREAKER C-INST LIGHTS HI003		01 R
20	S1360-5L	. . CIRCUIT BREAKER-ALT FLD HI010		01 R
21	S1360-5L	. . CIRCUIT BREAKER C-WARN HI022		01 R
22	S2122-1	. . NUT-KNURLED		16 R
23	1N6391	. . DIODE DI002		02 R
23A	1N6391	. . DIODE DI001		02 R
		ATTACHING PARTS		
24	MS35333-39	. . LOCK WASHER		01 R
25	MS35650-305T	. . NUT		01 R
		—*—		
26	0518013-4	. . BUS BAR-DIODE MOUNT HI021		01 R
27	6238373-42	. . BUS BAR HI014		01 R
28	6238373-30	. . BUS BAR HI016		01 R
29	6238373-3	. . BUS BAR HI014		01 R
30	6238373-4	. . BUS BAR HI016		01 R
31	0518013-2	. . BUS BAR-JUMPER HI014		01 R
32	0518013-2	. . BUS BAR-JUMPER HI016		01 R
		ATTACHING PARTS		
33	MS35206-226	. . SCREW		01 R
34	MS35206-241	. . SCREW		01 R
35	MS35207-261	. . SCREW		01 R
36	NAS1149F0332P	. . FLAT WASHER		02 R
37	MS35333-39	. . LOCK WASHER		01 R
38	MS35650-305T	. . NUT		01 R
		—*—		
- 39		. . WBA BUS BAR REFER TO WDM		RF R
- 40		. . WBA BATTERY SYSTEM REFER TO WDM		RF R

CESSNA AIRCRAFT COMPANY
MODEL 172 (SERIES 1996 AND ON)
 ILLUSTRATED PARTS CATALOG

B4042



DETAIL B



DETAIL D
TYPICAL

DETAIL E
TYPICAL

DETAIL C

CIRCUIT BREAKER PANEL ASSEMBLY-NAV III
 FIGURE 01B (SHEET 1)

0510T1007
 A0518T1135
 B0518T1135
 C0518T1137
 D1218T1080
 E0718T1055

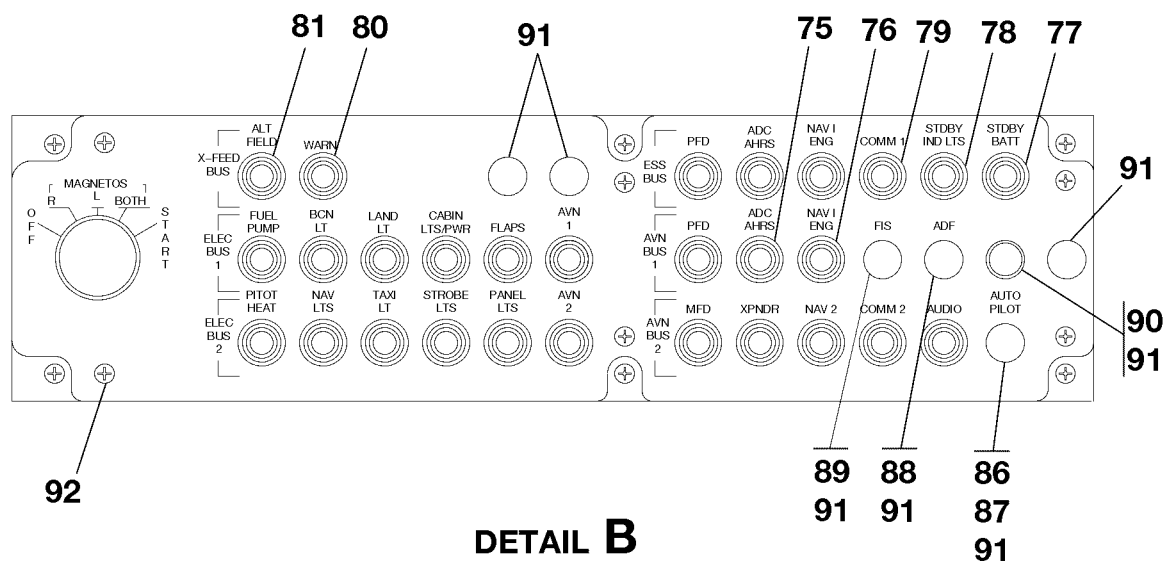
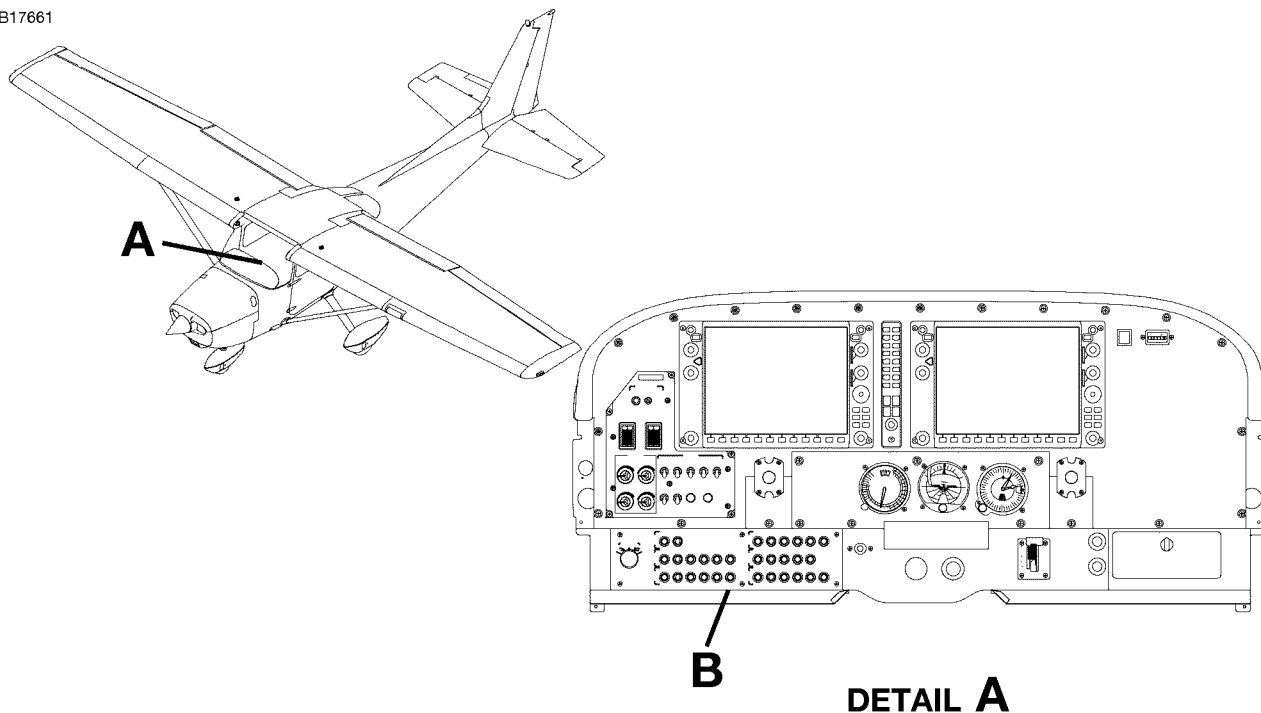
CESSNA AIRCRAFT COMPANY
MODEL 172 (SERIES 1996 AND ON)
ILLUSTRATED PARTS CATALOG

FIG ITEM	PART NUMBER	NOMENCLATURE	UNITS		
			PER	ASSY	
01B					
-		CIRCUIT BREAKER PANEL ASSEMBLY-NAV III	81241	& ON	RF
			09810	& ON	
1	0518024-1	. CIRCUIT BREAKER PANEL ASSEMBLY-NAV III 172	81241	81578	01
- 1A	0518024-1	. CIRCUIT BREAKER PANEL ASSEMBLY-NAV III 172S	09810	11085	01
- 1B	0518024-10	. CIRCUIT BREAKER PANEL ASSEMBLY-NAV III 172	81579	81616	01 R
- 1C	0518024-10	. CIRCUIT BREAKER PANEL ASSEMBLY-NAV III 172S	11086	11190	01 R
- 1D	0518024-11	. CIRCUIT BREAKER PANEL ASSEMBLY-NAV III 172	81617	& ON	01 R
- 1E	0518024-11	. CIRCUIT BREAKER PANEL ASSEMBLY-NAV III 172S	11191	& ON	01 R
		ATTACHING PARTS			
2	CM3658-7	. SCREW			06
		* NUT			12
3	MS35650-305T			16
4	NAS1149F0332P			12
5	MS35333-39			08
6	MS35207-261			01
7	0518024-2			05
8	MS21071L04			01
9	MS21076L04			01
- 10	0518024-4			01
11	0718018-5			01
12	0718018-5			01
- 13	0718018-5			01
14	0718018-5			01
15	0718018-5			01
- 16	S3478-1			01
17	1N6391			01
18	1N6391			01
19	1N6391			01
20	1N6391			01
21	S2899L5.0			01
22	S2899L5.0			01
23	S2899L10.0			01
24	S2899L5.0			01
25	S2899L5.0			01
26	S2899L15.0			01
27	S2899L5.0			01
28	S2899L5.0			01
29	S2899L5.0			01
30	S2899L5.0			01
31	S2899L5.0			01
32	S2899L5.0			01
33	S2899L5.0			01
34	S2899L10.0			01
35	S2899L5.0			01
36	S2899L10.0			01
37	S2899L15.0			01
38	S2899L5.0			01
39	S2899L10.0			01
40	S2899L15.0			01
41	S2899L5.0			01

- ITEM NOT ILLUSTRATED

CESSNA AIRCRAFT COMPANY
MODEL 172 (SERIES 1996 AND ON)
 ILLUSTRATED PARTS CATALOG

B17661



CIRCUIT BREAKER PANEL ASSEMBLY-NAV III
 FIGURE 01B (SHEET 2)

0510T1007
 A0518T1135
 B0518T1135

CESSNA AIRCRAFT COMPANY
MODEL 172 (SERIES 1996 AND ON)
ILLUSTRATED PARTS CATALOG

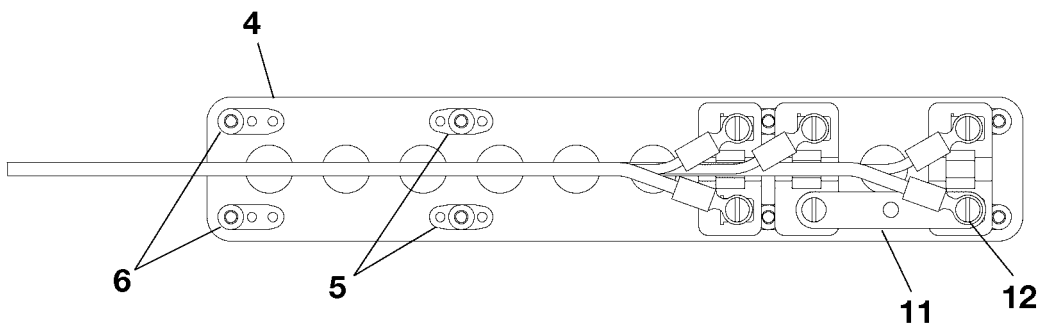
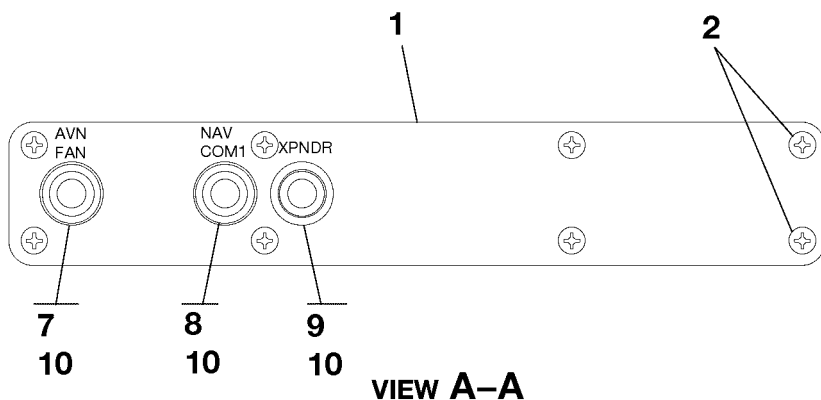
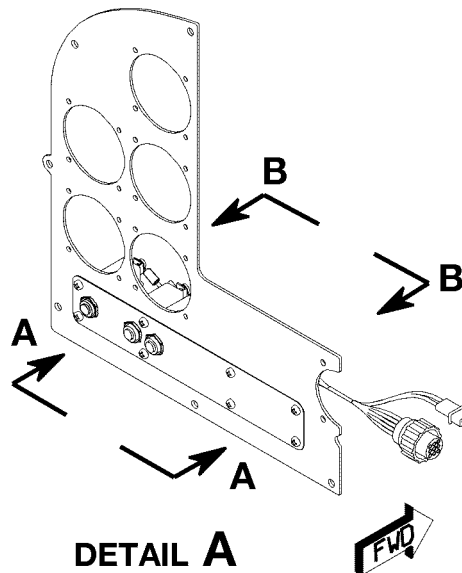
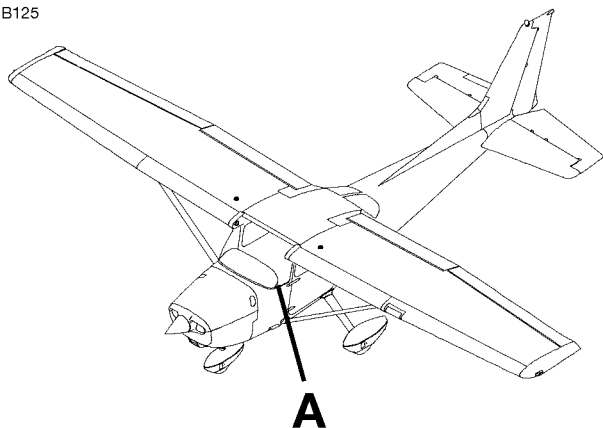
FIG ITEM	PART NUMBER	1 2 3 4 5 6 7	NOMENCLATURE	UNITS PER ASSY		
01B						
75	S2899L10.0		. . . CIRCUIT BREAKER-AIR DATA COMPUTER/AHRS HI037 172	81241	81578	01
- 75A	S2899L10.0		. . . CIRCUIT BREAKER-AIR DATA COMPUTER/AHRS HI037 172S	09810	11085	01 R
- 75B	S2899L5.0		. . . CIRCUIT BREAKER-AIR DATA COMPUTER/AHRS HI036 172	81579	& ON	01 R
- 75C	S2899L5.0		. . . CIRCUIT BREAKER-AIR DATA COMPUTER/AHRS HI036 172S	11086	& ON	01 R
76	S2899L15.0		. . . CIRCUIT BREAKER-NAV 1/ENGINE MONITOR HI038			01 R
77	S2899L20.0		. . . CIRCUIT BREAKER-STANDBY BATTERY HI034			01 R
78	S2899L5.0		. . . CIRCUIT BREAKER-STANDBY INDICATOR LIGHTS HI035			01 R
79	S2899L5.0		. . . CIRCUIT BREAKER-COMM 1 HI039			01 R
80	S2899L5.0		. . . CIRCUIT BREAKER-WARNING HI057			01 R
81	S2899L5.0		. . . CIRCUIT BREAKER-ALTERNATOR FIELD HI055			01 R
- 82	0570519-1		. . . CIRCUIT BREAKER PANEL WBA 172	81241	81578	01 R
- 82A	0570519-1		. . . CIRCUIT BREAKER PANEL WBA 172S	09810	11085	01 R
- 82B	0570519-2		. . . CIRCUIT BREAKER PANEL WBA 172	81579	81616	01 R
- 82C	0570519-2		. . . CIRCUIT BREAKER PANEL WBA 172S	11086	11190	01 R
- 82D	0570519-3		. . . CIRCUIT BREAKER PANEL WBA 172	81617	& ON	01 R
- 82E	0570519-3		. . . CIRCUIT BREAKER PANEL WBA 172S	11191	& ON	01 R
- 83	0518024-5		. . . CIRCUIT BREAKER PANEL COVER-INBOARD			01 R
- 84	0518024-6		. . . CIRCUIT BREAKER PANEL COVER-OUTBOARD			01 R
			ATTACHING PARTS			
- 85	MS3367-2-9		. . . STRAP			02 R
			—*—			
86	S2899L5.0		. . . CIRCUIT BREAKER-AUTOPILOT HI047			01 R
87	10164-3		. . . EXTENSION CAP			01 R
88	S2899L5.0		. . . CIRCUIT BREAKER-DME/ADF HI046			01 R
89	S2899L5.0		. . . CIRCUIT BREAKER-FIS HI045 REFER TO NOTE 1			01 R
90	S2899L5.0		. . . CIRCUIT BREAKER-TAS HI044 172	81617	& ON	01 R
- 90A	S2899L5.0		. . . CIRCUIT BREAKER-TAS HI044 172S	11191	& ON	01 R
91	CM2692-16P2S		. . . PLUG BUTTON FSO CM2692-16Z2S			NP R
- 91A	CM2692-16Z2S		. . . PLUG BUTTON			AR R
92			. . . LED PANEL ATTACH REFER TO 33-10-02 FIGURE 01			RF R

NOTE 1—AIRPLANES 172S9810 THRU 172S9811, 172S9813 THRU 172S9847, 172S9849, 172S9851 THRU 172S9857, 172S9859 THRU 172S9860, 172S9862 THRU 172S9887, 172S9889 THRU 172S9902, 172S9904, 172S9906 THRU 172S9920, AND 172S9922 THRU 172S9932 INCORPORATING SB05-34-09

R

CESSNA AIRCRAFT COMPANY
MODEL 172 (SERIES 1996 AND ON)
 ILLUSTRATED PARTS CATALOG

B125



VIEW B-B

AIRPLANES 17280001 THRU 17280983 AND
 AIRPLANES 172S8001 THRU 172S8703

AVIONICS CIRCUIT BREAKER PANEL-STANDARD
 FIGURE 02 (SHEET 1)

0510T1007
 A0518T1019
 AA0518T1099
 BB0518T1099

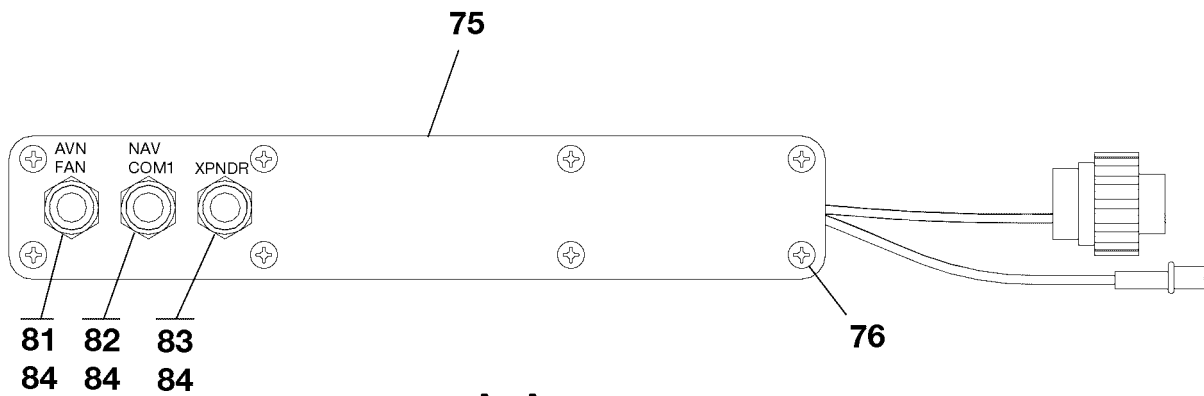
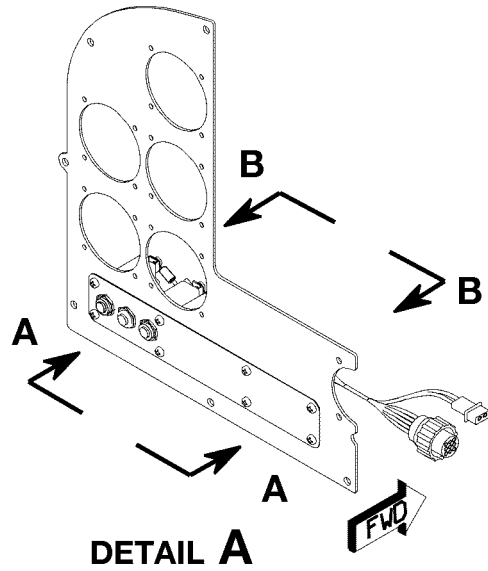
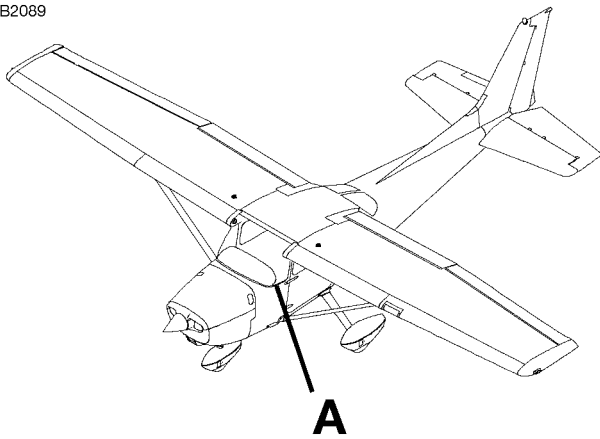
CESSNA AIRCRAFT COMPANY
MODEL 172 (SERIES 1996 AND ON)
 ILLUSTRATED PARTS CATALOG

FIG ITEM	PART NUMBER	NOMENCLATURE	UNITS	
			PER	ASSY
02				
-		AVIONICS CIRCUIT BREAKER PANEL-STANDARD		RF R
1	3930306-3	. BEZEL-AVIONICS CIRCUIT BREAKER PANEL 172S	08001	08703 01 R
- 1A	3930306-3	. BEZEL-AVIONICS CIRCUIT BREAKER PANEL 172	80001	80983 01 R
		ATTACHING PARTS		
2	CM3558-6-16B	. SCREW		08 R
- 3	3930418-2	. PANEL ASSY-AVIONICS CIRCUIT BREAKER STANDARD 172	80001	80983 01 R
- 3A	3930418-2	. PANEL ASSY-AVIONICS CIRCUIT BREAKER STANDARD 172S	08001	08703 01 R
4	0518015-1 PANEL ASSY		01 R
5	MS21069-06 NUTPLATE		04 R
6	MS21071-06 NUTPLATE		04 R
7	1610-128-050A7 CIRCUIT BREAKER-AVIONICS FAN HI906 V76374		01 R
8	1610-128-080A7 CIRCUIT BREAKER-NAV COM 1 HI900 V76374		01 R
9	1610-128-050A7 CIRCUIT BREAKER-TRANSPONDER HI904 V76374		01 R
10	S2878-8 NUT		03 R
11	6238373-3 BUS BAR HI909		01 R
12	MS35206-226 SCREW		01 R

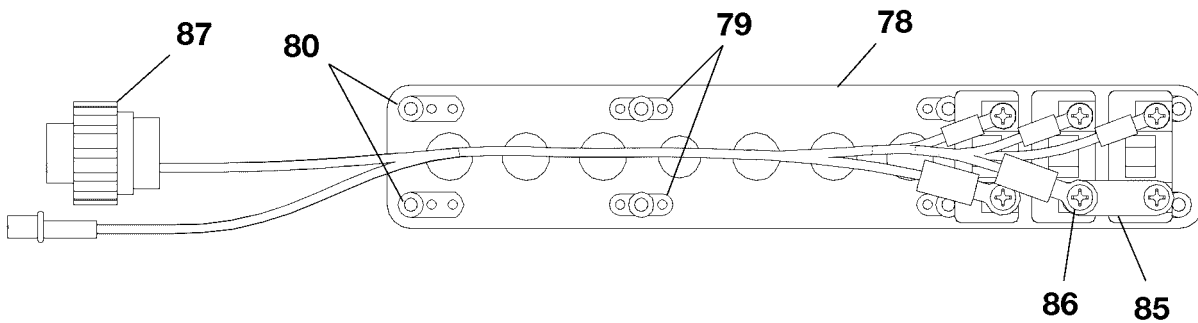
- ITEM NOT ILLUSTRATED

CESSNA AIRCRAFT COMPANY
MODEL 172 (SERIES 1996 AND ON)
 ILLUSTRATED PARTS CATALOG

B2089



VIEW A-A



VIEW B-B

AIRPLANES 17280984 AND ON AND
 AIRPLANES 172S8704 AND ON

0510T1007
 A0518T1100
 AA0518T1093
 BB0518T1093

AVIONICS CIRCUIT BREAKER PANEL-STANDARD
 FIGURE 02 (SHEET 2)

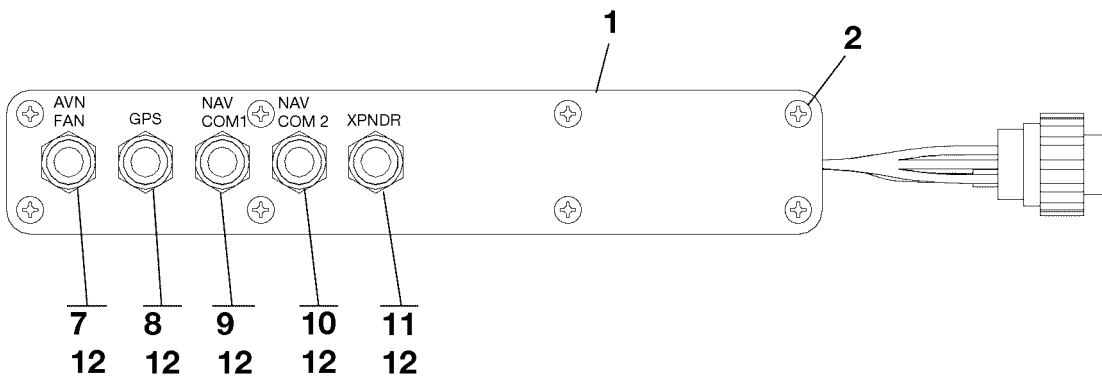
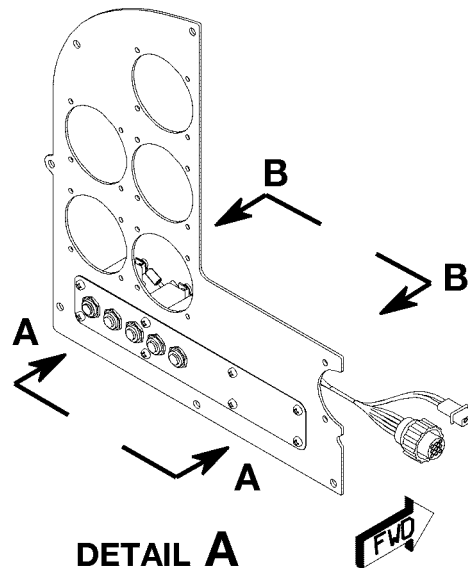
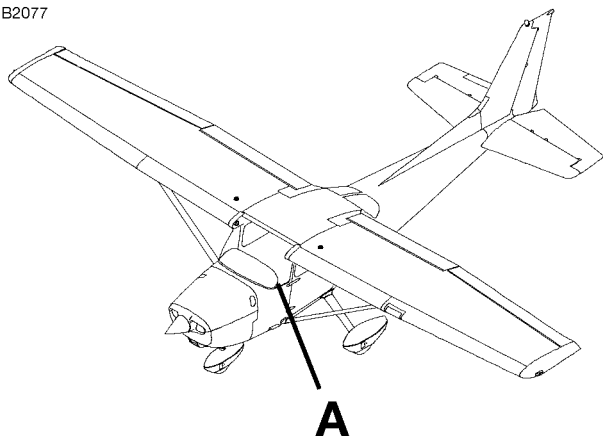
CESSNA AIRCRAFT COMPANY
MODEL 172 (SERIES 1996 AND ON)
 ILLUSTRATED PARTS CATALOG

FIG ITEM	PART NUMBER	1 2 3 4 5 6 7	NOMENCLATURE	UNITS PER ASSY		
02						
75	3930348-1		. BEZEL-AVIONICS CIRCUIT BREAKER PANEL 172	80984	& ON	01 R
- 75A	3930348-1		. BEZEL-AVIONICS CIRCUIT BREAKER PANEL 172S	08704	& ON	01 R
			ATTACHING PARTS			
76	CM3558-6-16B		. SCREW			08 R
			—*—			
- 77	3930342-1		. PANEL ASSEMBLY-AVIONICS CIRCUIT BREAKER STANDARD 172	80984	& ON	01 R
- 77A	3930342-1		. PANEL ASSEMBLY-AVIONICS CIRCUIT BREAKER STANDARD 172S	08704	& ON	01 R
78	0518015-1		. . . PANEL ASSEMBLY			01 R
79	MS21069-06		. . . NUTPLATE			04 R
80	MS21071-06		. . . NUTPLATE			04 R
81	1610-128-050A7		. . . CIRCUIT BREAKER-AVIONICS FAN HI906	V76374		01 R
82	1610-128-080A7		. . . CIRCUIT BREAKER-NAV COM 1 HI900	V76374		01 R
83	1610-128-050A7		. . . CIRCUIT BREAKER-TRANSPONDER HI904	V76374		01 R
84	S2878-8		. . . NUT			03 R
85	6238373-2		. . . BUS BAR HI909			01 R
86	MS35206-226		. . . SCREW			01 R
87			. C/A AVIONICS POWER REFER TO WIRING DIAGRAM MANUAL			RF R

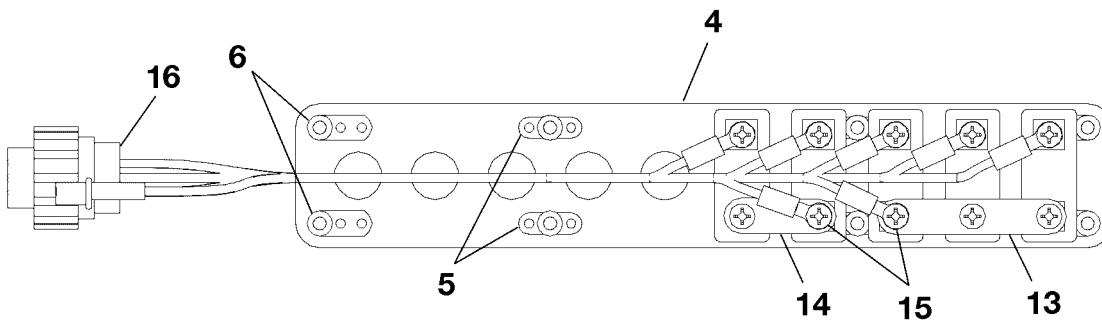
- ITEM NOT ILLUSTRATED

CESSNA AIRCRAFT COMPANY
MODEL 172 (SERIES 1996 AND ON)
 ILLUSTRATED PARTS CATALOG

B2077



VIEW A-A



VIEW B-B

AIRPLANES 17280984 AND ON AND
 AIRPLANES 172S8704 AND ON

0510T1007
 A0518T1019
 AA0518T1095
 BB0518T1095

AVIONICS CIRCUIT BREAKER PANEL-NAV 1
 FIGURE 03 (SHEET 1)

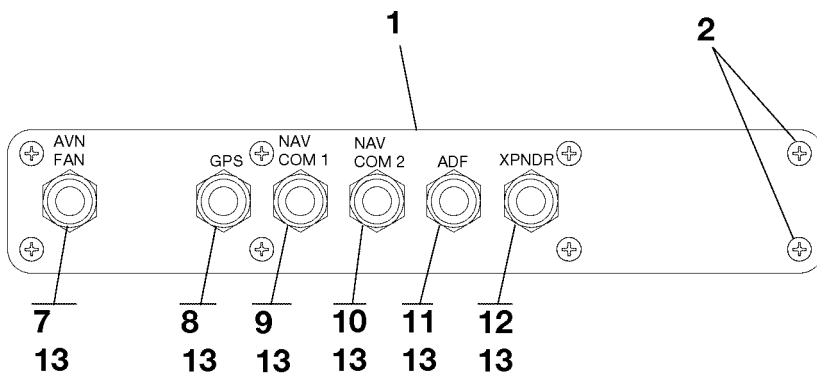
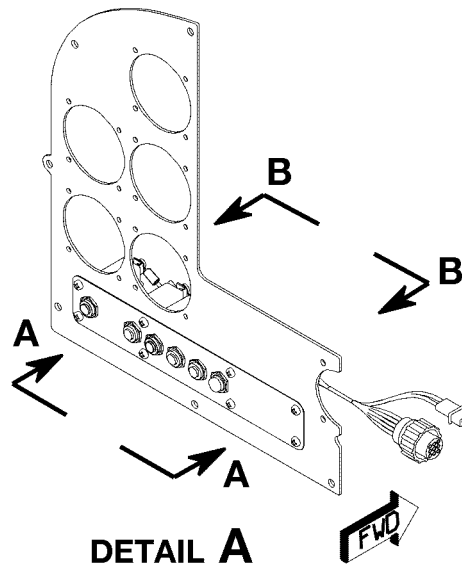
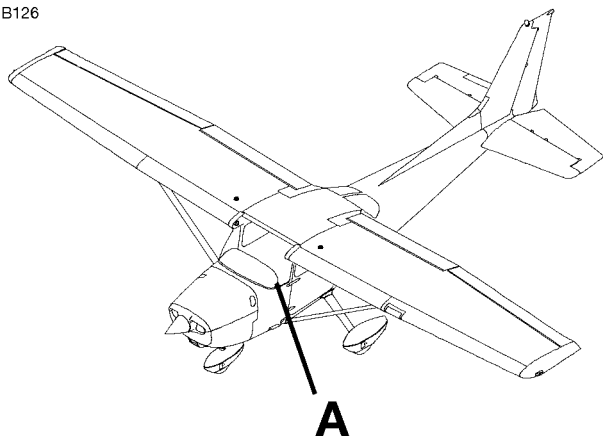
CESSNA AIRCRAFT COMPANY
MODEL 172 (SERIES 1996 AND ON)
 ILLUSTRATED PARTS CATALOG

FIG ITEM	PART NUMBER	NOMENCLATURE	UNITS PER ASSY	
			1 2 3 4 5 6 7	
03		AVIONICS CIRCUIT BREAKER PANEL-NAV 1		RF R
- 1	3930348-3	. BEZEL-AVIONICS CIRCUIT BREAKER PANEL 172	80984	& ON 01 R
- 1A	3930348-3	. BEZEL-AVIONICS CIRCUIT BREAKER PANEL 172S	08704	& ON 01 R
		ATTACHING PARTS		
2	CM3558-6-16B	. SCREW		08 R
- 3	3930343-1	. PANEL ASSEMBLY-AVIONICS CIRCUIT BREAKER 172	80984	& ON 01 R
- 3A	3930343-1	. PANEL ASSEMBLY-AVIONICS CIRCUIT BREAKER 172S	08704	& ON 01 R
4	0518015-1 PANEL ASSEMBLY		01 R
5	MS21069-06 NUTPLATE		04 R
6	MS21071-06 NUTPLATE		04 R
7	1610-128-050A7 CIRCUIT BREAKER-AVIONICS FAN HI906	V76374	01 R
8	1610-128-050A7 CIRCUIT BREAKER-GPS HI902	V76374	01 R
9	1610-128-080A7 CIRCUIT BREAKER-NAV COM 1 HI900	V76374	01 R
10	1610-128-080A7 CIRCUIT BREAKER-NAV COM 2 HI901	V76374	01 R
11	1610-128-050A7 CIRCUIT BREAKER-TRANSPONDER	V76374	01 R
12	S2878-8 NUT		05 R
13	6238373-3 BUS BAR HI908		01 R
14	6238373-4 BUS BAR HI907		01 R
15	MS35206-226 SCREW		02 R
16		. AVIONICS POWER REFER TO WIRING DIAGRAM MANUAL		RF R

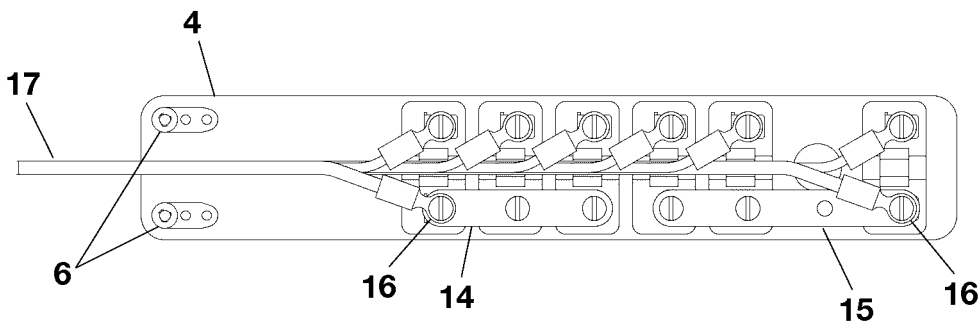
- ITEM NOT ILLUSTRATED

CESSNA AIRCRAFT COMPANY
MODEL 172 (SERIES 1996 AND ON)
 ILLUSTRATED PARTS CATALOG

B126



VIEW A-A



VIEW B-B

AIRPLANES 17280001 THRU 17280983 AND
 AIRPLANES 172S8001 THRU 172S8703

0510T1007
 A0518T1019
 AA0518T1053
 BB0518T1053

AVIONICS CIRCUIT BREAKER PANEL-NAV 1 WITH ADF
 FIGURE 03A (SHEET 1)

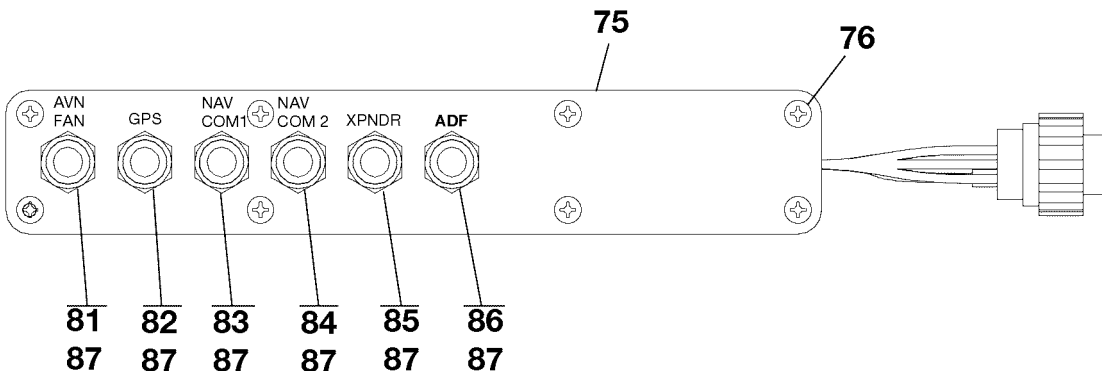
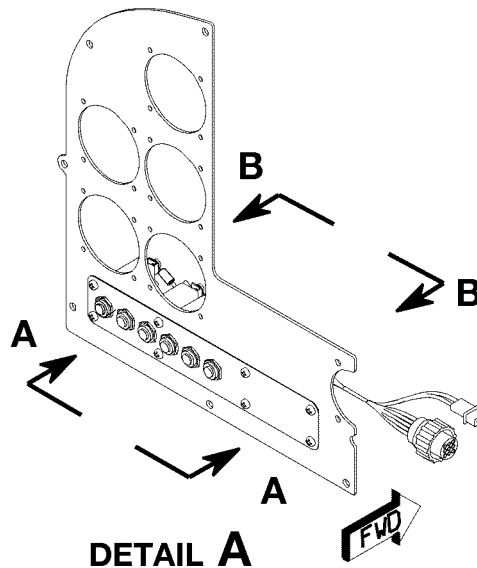
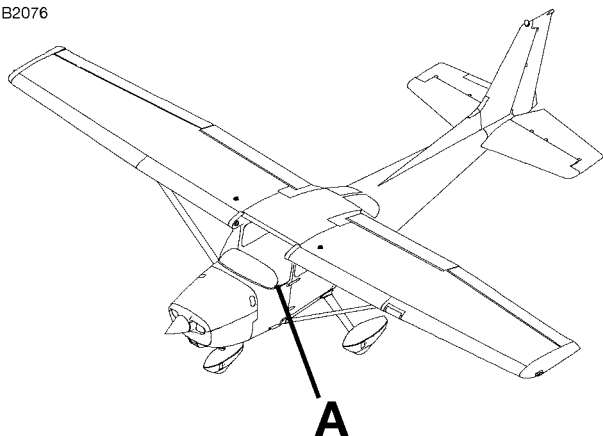
CESSNA AIRCRAFT COMPANY
MODEL 172 (SERIES 1996 AND ON)
 ILLUSTRATED PARTS CATALOG

FIG ITEM	PART NUMBER	NOMENCLATURE	UNITS PER ASSY		
			1	2	3
03A		AVIONICS CIRCUIT BREAKER PANEL-NAV 1 WITH ADF			RF R
- 1	3930307-3	. BEZEL-AVIONICS CIRCUIT BREAKER PANEL 172	80001	80983	01 R
- 1A	3930307-3	. BEZEL-AVIONICS CIRCUIT BREAKER PANEL 172S	08001	08703	01 R
		ATTACHING PARTS			
2	CM3558-6-16B	. SCREW			08 R
- 3	3930420-1	. PANEL ASSEMBLY-AVIONICS CIRCUIT BREAKER 172	80001	80983	01 R
- 3A	3930420-1	. PANEL ASSEMBLY-AVIONICS CIRCUIT BREAKER 172S	08001	08703	01 R
4	0518015-1 PANEL ASSEMBLY			01 R
- 5	MS21069-06 NUTPLATE			04 R
6	MS21071-06 NUTPLATE			04 R
7	1610-128-050A7 CIRCUIT BREAKER-AVIONICS FAN HI906 V76374			01 R
8	1610-128-050A7 CIRCUIT BREAKER-GPS HI902 V76374			01 R
9	1610-128-080A7 CIRCUIT BREAKER-NAV COM 1 HI900 V76374			01 R
10	1610-128-080A7 CIRCUIT BREAKER-NAV COM 2 HI901 V76374			01 R
11	1610-128-050A7 CIRCUIT BREAKER-ADF V76374			01 R
12	1610-128-050A7 CIRCUIT BREAKER-TRANSPONDER V76374			01 R
13	S2878-8 NUT			06 R
14	6238373-3 BUS BAR HI908			01 R
15	6238373-4 BUS BAR HI907			01 R
16	MS35206-226 SCREW			02 R
17		. AVIONICS POWER REFER TO WIRING DIAGRAM MANUAL			RF R

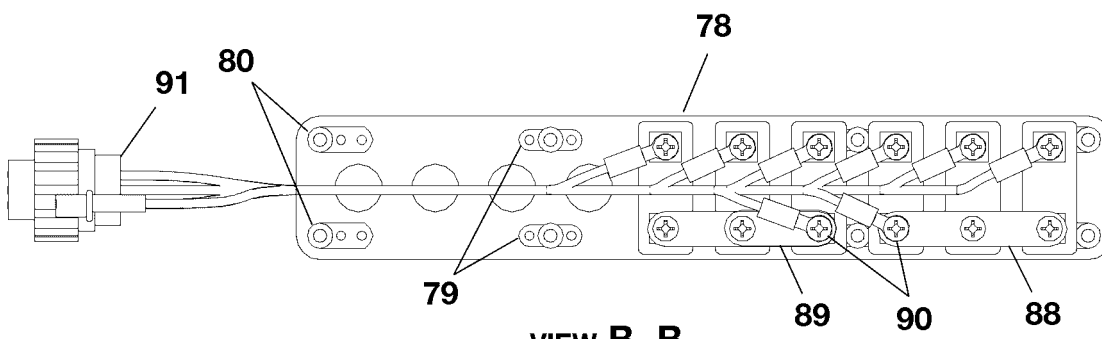
- ITEM NOT ILLUSTRATED

CESSNA AIRCRAFT COMPANY
MODEL 172 (SERIES 1996 AND ON)
 ILLUSTRATED PARTS CATALOG

B2076



VIEW A-A



VIEW B-B

AIRPLANES 17280984 AND ON AND
 AIRPLANES 172S8704 AND ON

0510T1007
 A0518T1019
 AA0518T1096
 BB0518T1096

**AVIONICS CIRCUIT BREAKER PANEL-NAV 1 WITH ADF
 FIGURE 03A (SHEET 2)**

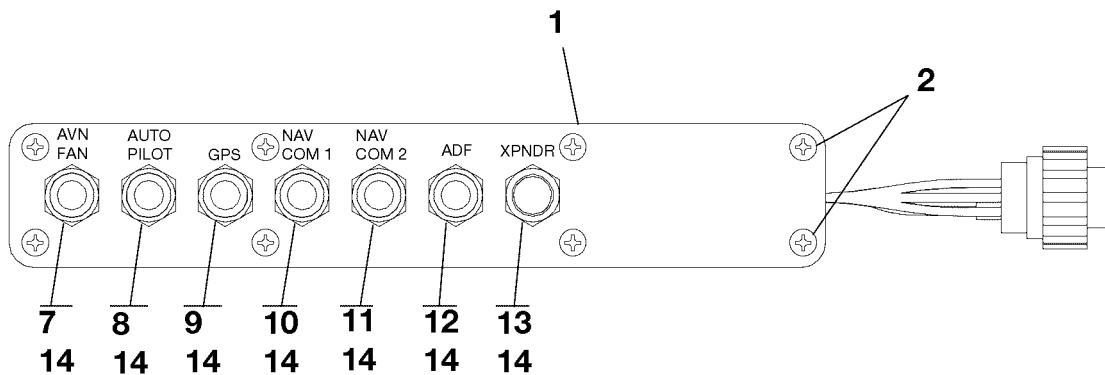
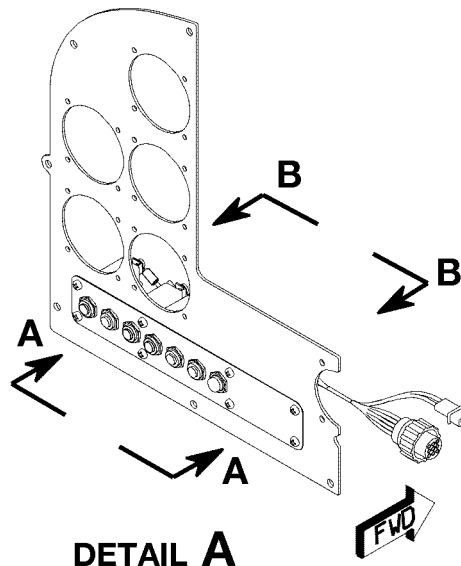
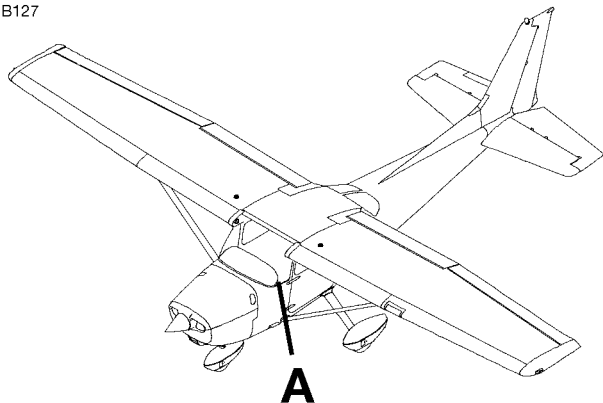
CESSNA AIRCRAFT COMPANY
MODEL 172 (SERIES 1996 AND ON)
 ILLUSTRATED PARTS CATALOG

FIG ITEM	PART NUMBER	NOMENCLATURE	UNITS PER ASSY		
			1	2	3
03A					
75	3930348-5	. BEZEL-AVIONICS CIRCUIT BREAKER PANEL-NAV 1 WITH ADF 172	80984	& ON	01 R
- 75A	3930348-5	. BEZEL-AVIONICS CIRCUIT BREAKER PANEL-NAV 1 WITH ADF 172S	08001	08703	01 R
		ATTACHING PARTS			
76	CM3558-6-16B	. SCREW			08 R
		—*—			
- 77	3930343-2	. PANEL ASSEMBLY-AVIONICS CIRCUIT BREAKER NAV 2 172	80001	80983	01 R
- 77A	3930343-2	. PANEL ASSEMBLY-AVIONICS CIRCUIT BREAKER NAV 2 172S	08001	08703	01 R
78	0518015-1 PANEL ASSEMBLY			01 R
79	MS21069-06 NUTPLATE			04 R
80	MS21071-06 NUTPLATE			04 R
81	1610-128-050A7 CIRCUIT BREAKER-AVIONICS FAN HI906 V76374			01 R
82	1610-128-050A7 CIRCUIT BREAKER-GPS HI902 V76374			01 R
83	1610-128-080A7 CIRCUIT BREAKER-NAV COM 1 HI900 V76374			01 R
84	1610-128-080A7 CIRCUIT BREAKER-NAV COM 2 HI901 V76374			01 R
85	1610-128-080A7 CIRCUIT BREAKER-TRANSPONDER V76374			01 R
86	1610-128-050A7 CIRCUIT BREAKER-ADF H1904 V76374			01 R
87	S2878-8 NUT			06 R
88	6238373-3 BUS BAR HI908			01 R
89	6238373-4 BUS BAR HI907			01 R
90	MS35206-226 SCREW			02 R
91		. AVIONICS POWER REFER TO WIRING DIAGRAM MANUAL			RF R

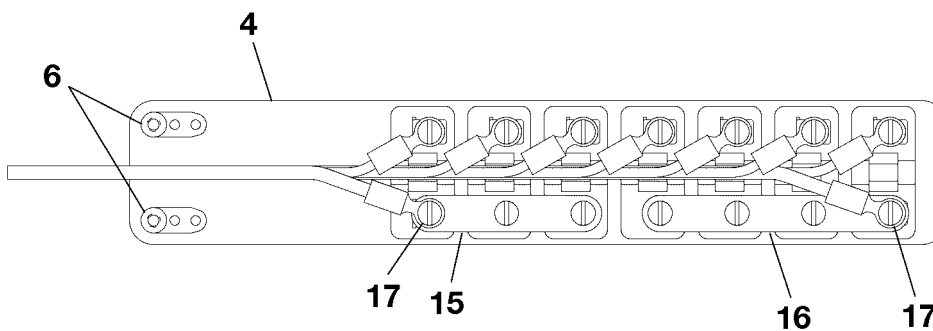
- ITEM NOT ILLUSTRATED

CESSNA AIRCRAFT COMPANY
MODEL 172 (SERIES 1996 AND ON)
 ILLUSTRATED PARTS CATALOG

B127



VIEW A-A



VIEW B-B

AIRPLANES 17280001 THRU 17280983 AND
 AIRPLANES 172S8001 THRU 172S8703

0510T1007
 A0518T1019
 AA0518T1097
 BB0518T1097

AVIONICS CIRCUIT BREAKER PANEL-NAV 2 WITH IFR
 FIGURE 04 (SHEET 1)

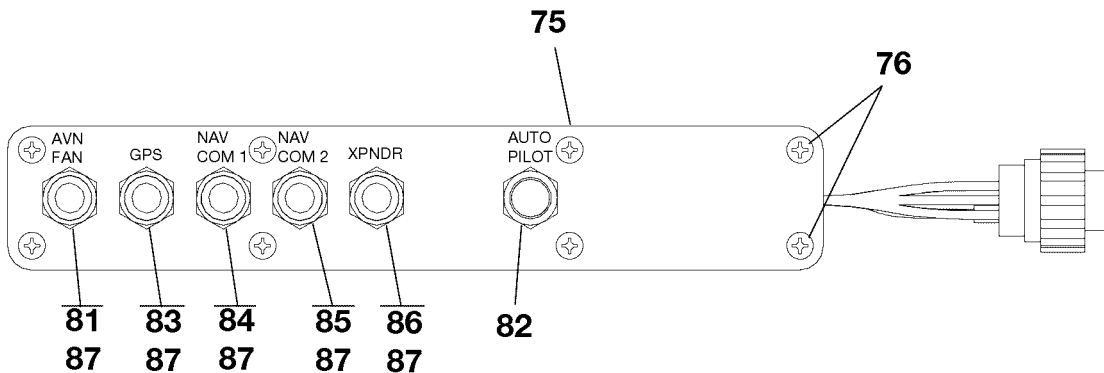
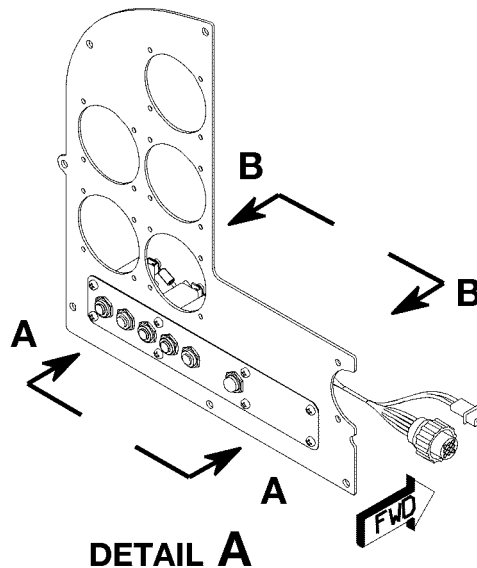
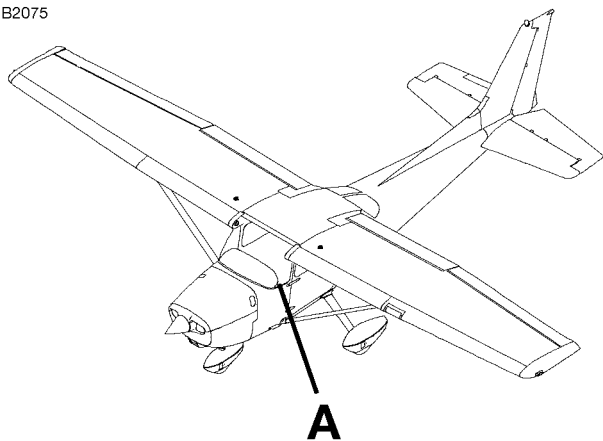
CESSNA AIRCRAFT COMPANY
MODEL 172 (SERIES 1996 AND ON)
ILLUSTRATED PARTS CATALOG

FIG ITEM	PART NUMBER	NOMENCLATURE	UNITS	
			PER	ASSY
04		AVIONICS CIRCUIT BREAKER PANEL-NAV 2 WITH IFR		RF
- 1	3930305-1	. BEZEL-AVIONICS CIRCUIT BREAKER PANEL 172	80001	80983 01
- 1A	3930305-1	. BEZEL-AVIONICS CIRCUIT BREAKER PANEL 172S	08001	08703 01
		ATTACHING PARTS		
2	CM3558-6-16B	. SCREW		08
- 3	3930421-1	. PANEL ASSEMBLY-AVIONICS CIRCUIT BREAKER NAV 2 172	80001	80983 01
- 3A	3930421-1	. PANEL ASSEMBLY-AVIONICS CIRCUIT BREAKER NAV 2 172S	08001	08703 01
4	0518015-1 PANEL ASSEMBLY		01
- 5	MS21069-06 NUTPLATE		04
6	MS21071-06 NUTPLATE		04
7	1610-128-050A7 CIRCUIT BREAKER-AVIONICS FAN HI906 V76374		01
8	1610-128-050A7 CIRCUIT BREAKER-AUTOPILOT HI905 V76374		01 R
9	1610-128-050A7 CIRCUIT BREAKER-GPS HI902 V76374		01
10	1610-128-080A7 CIRCUIT BREAKER-NAV COM 1 HI900 V76374		01
11	1610-128-080A7 CIRCUIT BREAKER-NAV COM 2 HI902 V76374		01
12	1610-128-050A7 CIRCUIT BREAKER-ADF HI903 V76374		01
13	1610-128-050A7 CIRCUIT BREAKER-TRANSPONDER HI904 V76374		01
14	S2878-8 NUT		07
15	6238373-3 BUS BAR HI908		01
16	6238373-4 BUS BAR HI907		01
17	MS35206-226 SCREW		02

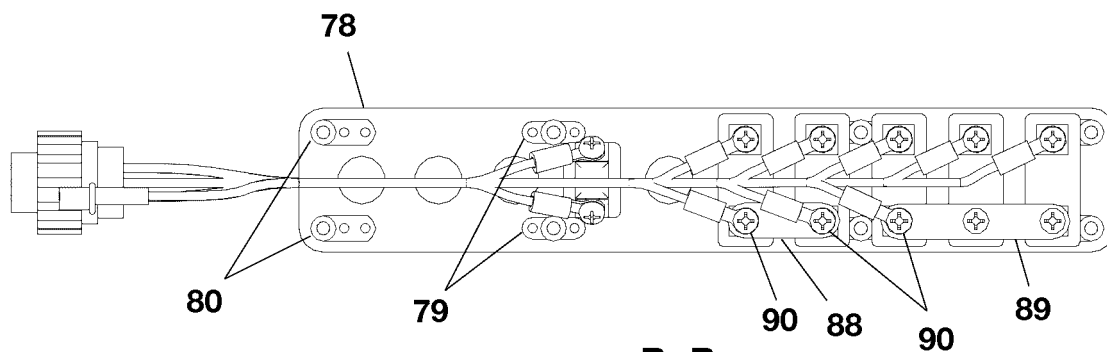
- ITEM NOT ILLUSTRATED

CESSNA AIRCRAFT COMPANY
MODEL 172 (SERIES 1996 AND ON)
 ILLUSTRATED PARTS CATALOG

B2075



VIEW A-A



VIEW B-B

AIRPLANES 17280984 AND ON AND
 AIRPLANES 172S8704 AND ON

AVIONICS CIRCUIT BREAKER PANEL-NAV 2 WITH IFR
 FIGURE 04 (SHEET 2)

0510T1007
 A0518T1019
 AA0518T1098
 BB0518T1098

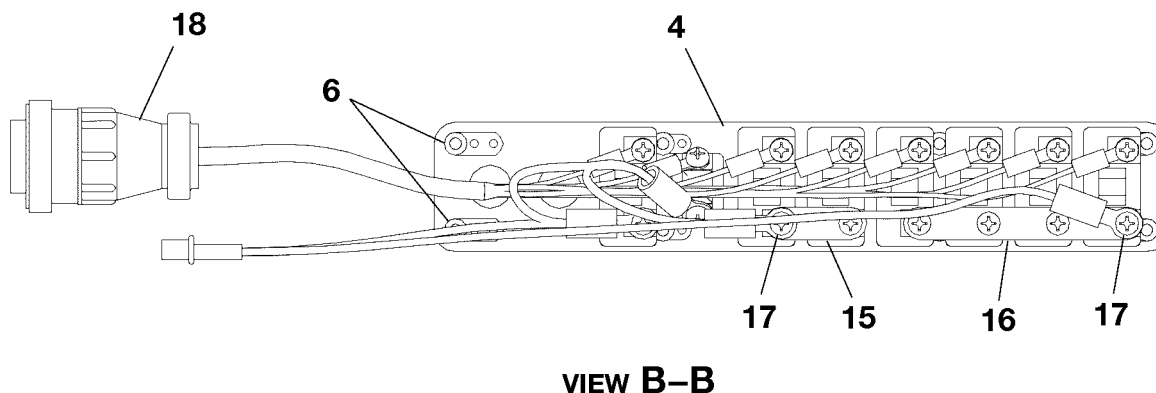
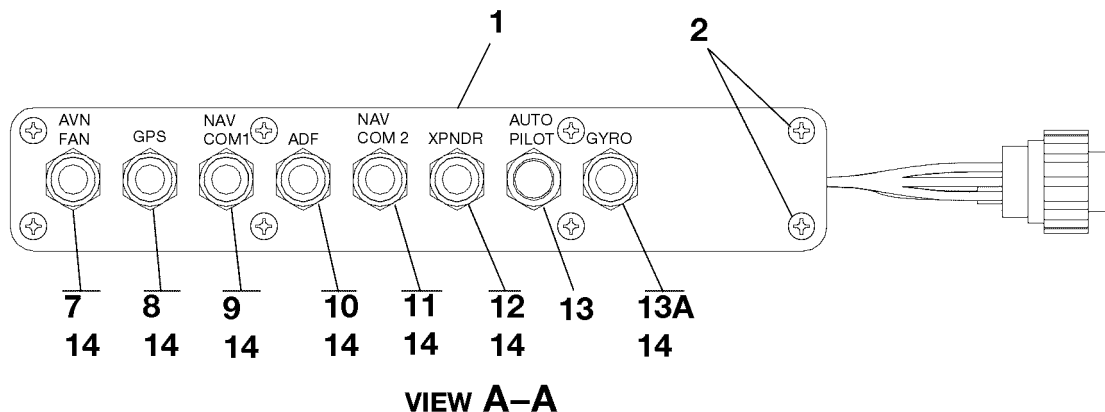
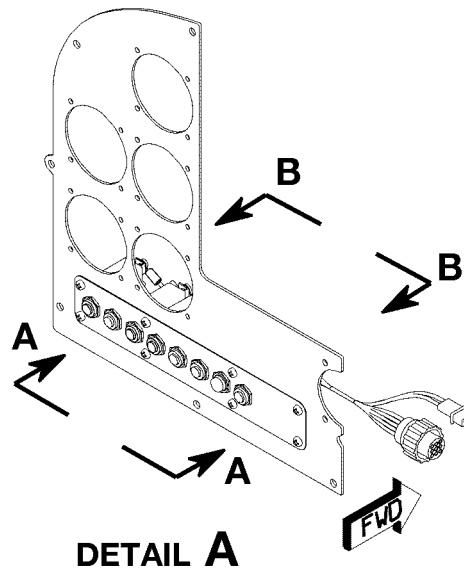
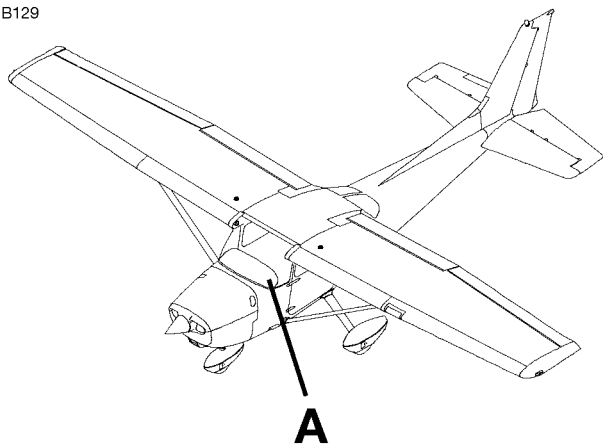
CESSNA AIRCRAFT COMPANY
MODEL 172 (SERIES 1996 AND ON)
 ILLUSTRATED PARTS CATALOG

FIG ITEM	PART NUMBER	NOMENCLATURE	UNITS	
			PER	ASSY
04				
75	3930348-7	. BEZEL-AVIONICS CIRCUIT BREAKER PANEL 172	80984	& ON 01
- 75A	3930348-7	. BEZEL-AVIONICS CIRCUIT BREAKER PANEL 172S	08704	& ON 01
		ATTACHING PARTS		
76	CM3558-6-16B	. SCREW		08
		—*—		
- 77	3930344-1	. PANEL ASSY-AVIONICS CIRCUIT BREAKER NAV 2 172	80984	& ON 01
- 77A	3930344-1	. PANEL ASSY-AVIONICS CIRCUIT BREAKER NAV 2 172S	08704	& ON 01
78	0518015-1		01
79	MS21069-06		04
80	MS21071-06		04
81	1610-128-050A7	V76374	01
82	1610-128-050A7	V76374	01
83	1610-128-050A7	V76374	01
84	1610-128-080A7	V76374	01
85	1610-128-080A7	V76374	01
86	1610-128-050A7	V76374	01
87	S2878-8		05
88	6238373-2		01
89	6238373-3		01
90	MS35206-226		02

- ITEM NOT ILLUSTRATED

CESSNA AIRCRAFT COMPANY
MODEL 172 (SERIES 1996 AND ON)
 ILLUSTRATED PARTS CATALOG

B129



AIRPLANES 17280694 THRU 17280983 AND
 AIRPLANES 172S8113 THRU 172S8703

0510T1007
 A0518T1019
 AA0518T1054
 BB0518T1054

AVIONICS CIRCUIT BREAKER PANEL-NAV 2 WITH HSI
 FIGURE 05 (SHEET 1)

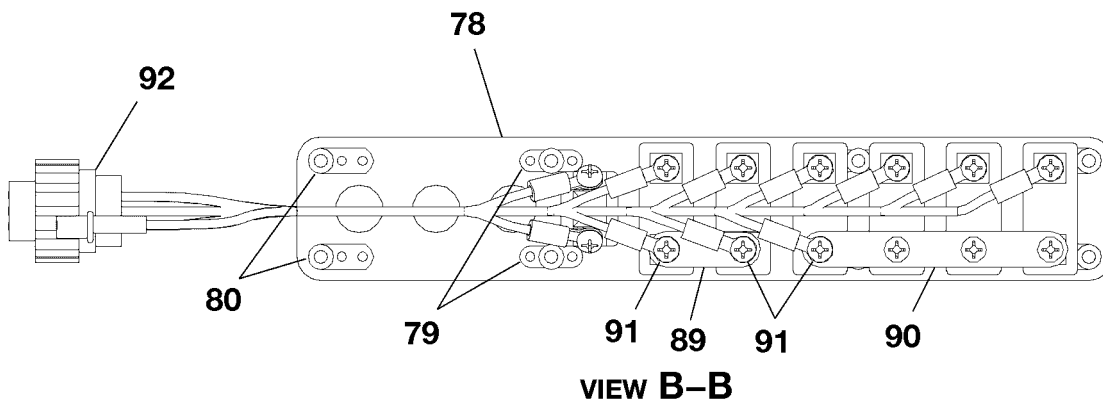
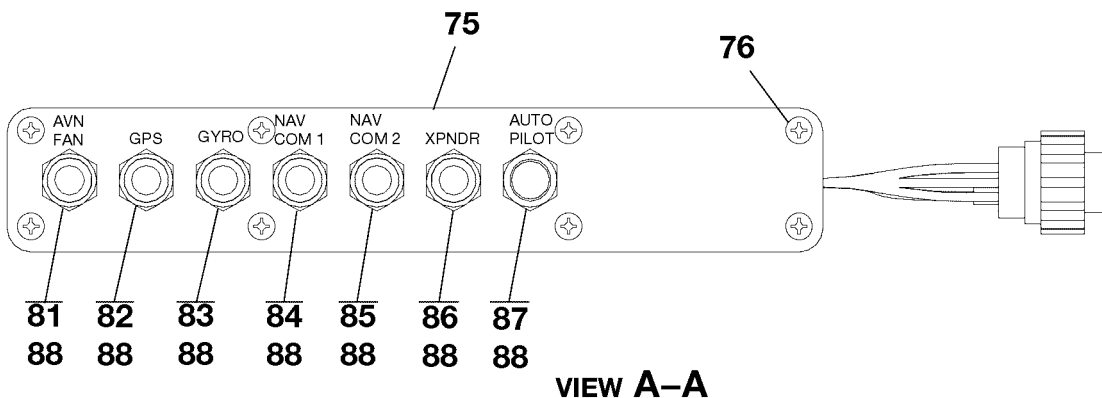
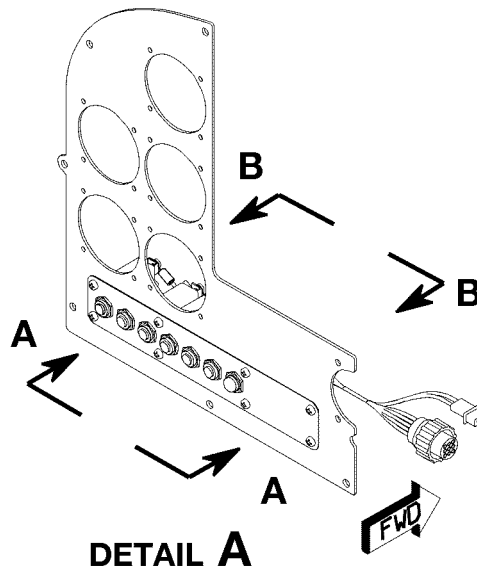
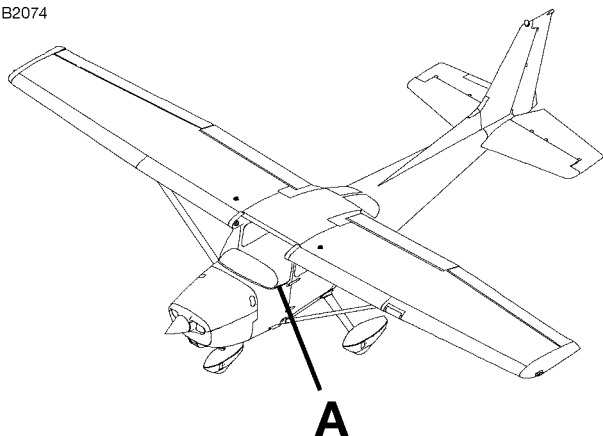
CESSNA AIRCRAFT COMPANY
MODEL 172 (SERIES 1996 AND ON)
ILLUSTRATED PARTS CATALOG

FIG ITEM	PART NUMBER	NOMENCLATURE	UNITS PER ASSY	
			1	2
05		AVIONICS CIRCUIT BREAKER PANEL-NAV 2 WITH HSI		
- 1	3940369-1	. BEZEL-AVIONICS CIRCUIT BREAKER PANEL/HSI 172	80694	80983
- 1A	3940369-1	. BEZEL-AVIONICS CIRCUIT BREAKER PANEL/HSI 172S	08113	08703
		ATTACHING PARTS		
2	CM3558-6-6B	. SCREW		08 R
- 3	3940368-1	. PANEL ASSY-AVIONICS CIRCUIT BREAKER 172	80694	80983
- 3A	3940368-1	. PANEL ASSY-AVIONICS CIRCUIT BREAKER 172S	08113	08703
4	3930312-1	. . MOUNTING PLATE ASSY		01 R
- 5	MS21069-06	. . . NUTPLATE		04 R
6	MS21071-06	. . . NUTPLATE		04 R
7	1610-128-050A7	. . . CIRCUIT BREAKER-AVIONICS FAN HI906	V76374	01 R
8	1610-128-050A7	. . . CIRCUIT BREAKER-GPS HI902	V76374	01 R
9	1610-128-080A7	. . . CIRCUIT BREAKER-NAV COM 1 HI900	V76374	01 R
10	1610-128-050A7	. . . CIRCUIT BREAKER-ADF HI903	V76374	01 R
11	1610-128-080A7	. . . CIRCUIT BREAKER-NAV COM 2 HI901	V76374	01 R
12	1610-128-050A7	. . . CIRCUIT BREAKER-TRANSPONDER HI904	V76374	01 R
13	MS26574-5	. . . CIRCUIT BREAKER-AUTOPILOT HI905		01 R
13A	1610-128-050A7	. . . CIRCUIT BREAKER-GYRO HI911		01 R
14	S2878-8	. . . NUT		07 R
15	6238373-2	. . . BUS BAR HI909		01 R
16	6238373-4	. . . BUS BAR HI907		01 R
17	MS35206-226	. . . SCREW		02 R
18		. C/A POWER REFER TO WDM		RF R

- ITEM NOT ILLUSTRATED

CESSNA AIRCRAFT COMPANY
MODEL 172 (SERIES 1996 AND ON)
 ILLUSTRATED PARTS CATALOG

B2074



AIRPLANES 17280984 AND ON AND
 AIRPLANES 172S8704 AND ON

0510T1007
 A0518T1019
 AA0518T1094
 BB0518T1094

AVIONICS CIRCUIT BREAKER PANEL-NAV 2 WITH HSI
 FIGURE 05 (SHEET 2)

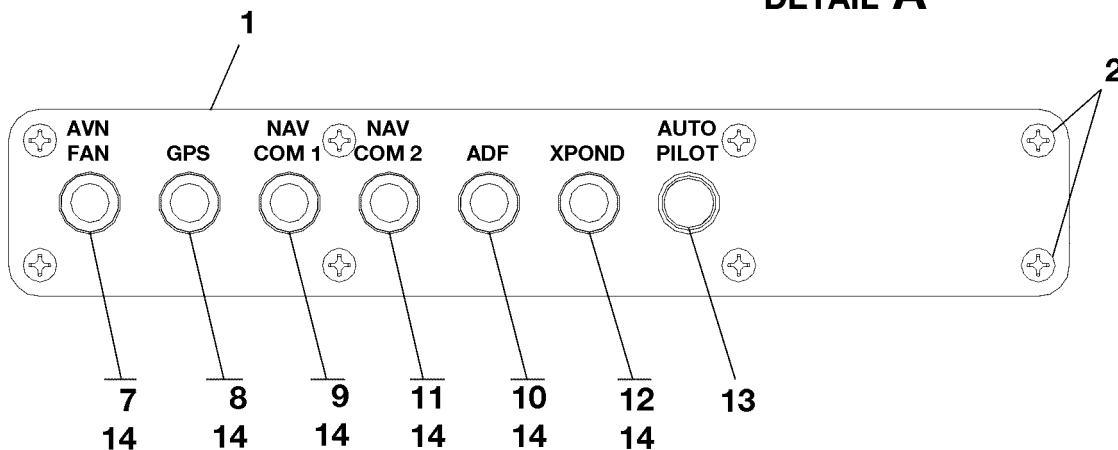
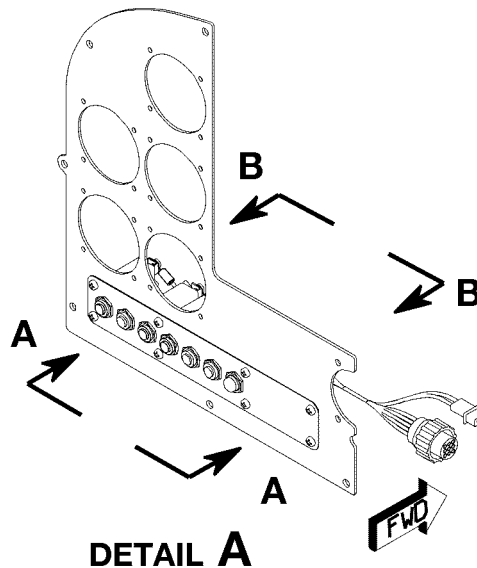
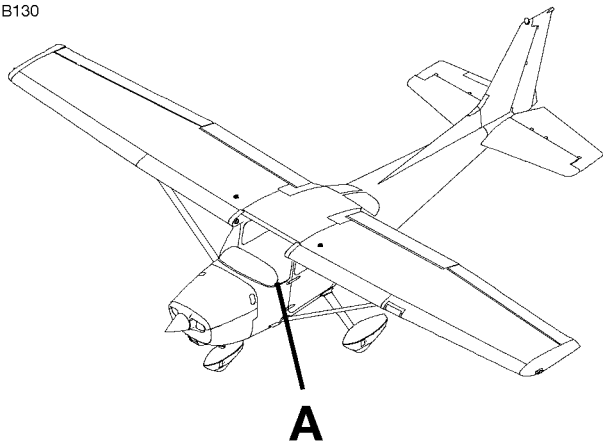
CESSNA AIRCRAFT COMPANY
MODEL 172 (SERIES 1996 AND ON)
 ILLUSTRATED PARTS CATALOG

FIG ITEM	PART NUMBER	NOMENCLATURE	UNITS PER ASSY		
			1	2	3
05					
75	3930348-11	. BEZEL-AVIONICS CIRCUIT BREAKER PANEL NAV 2 W/HSI 172	80984	& ON	01 R
- 75A	3930348-11	. BEZEL-AVIONICS CIRCUIT BREAKER PANEL NAV 2 W/HSI 172S	08704	& ON	01 R
		ATTACHING PARTS			
76	CM3558-6-6B	. SCREW			08 R
		**_			
- 77	3930344-1	. PANEL ASSY-AVIONICS CIRCUIT BREAKER 172	80694	80983	01 R
- 77A	3930344-1	. PANEL ASSY-AVIONICS CIRCUIT BREAKER 172S	08113	08703	01 R
78	3930312-1	. . MOUNTING PLATE ASSY			01 R
79	MS21069-06	. . . NUTPLATE			04 R
80	MS21071-06	. . . NUTPLATE			04 R
81	1610-128-050A7	. . CIRCUIT BREAKER-AVIONICS FAN HI906 V76374			01 R
82	1610-128-050A7	. . CIRCUIT BREAKER-GPS HI902 V76374			01 R
83	1610-128-050A7	. . CIRCUIT BREAKER-GYRO HI911			01 R
84	1610-128-080A7	. . CIRCUIT BREAKER-NAV COM 1 HI900 V76374			01 R
85	1610-128-080A7	. . CIRCUIT BREAKER-NAV COM 2 HI901 V76374			01 R
86	1610-128-050A7	. . CIRCUIT BREAKER-TRANSPONDER HI904 V76374			01 R
87	MS26574-5	. . CIRCUIT BREAKER-AUTOPILOT HI916			01 R
88	S2878-8	. . NUT			06 R
89	6238373-2	. . BUS BAR HI918			01 R
90	6238373-4	. . BUS BAR HI920			01 R
91	MS35206-226	. . SCREW			03 R
92		. C/A POWER REFER TO WIRING DIAGRAM MANUAL			RF R

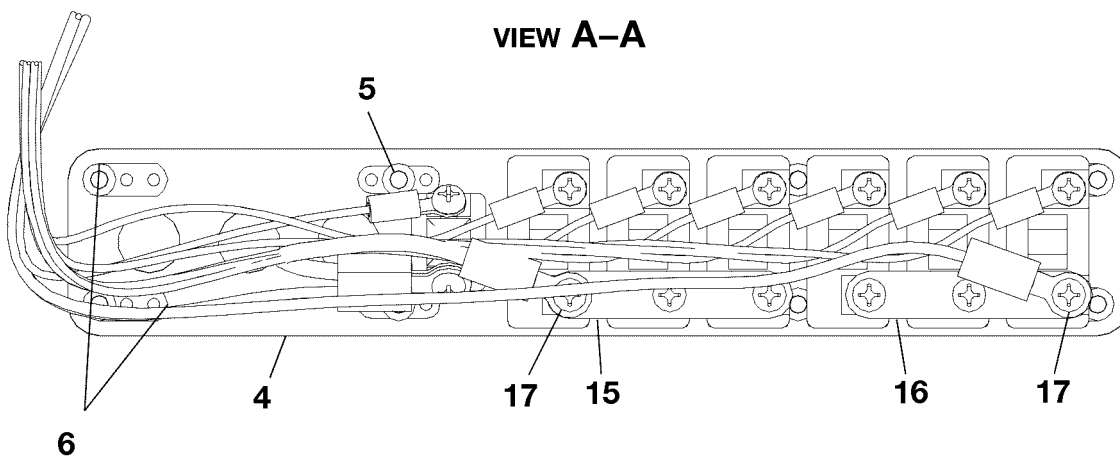
- ITEM NOT ILLUSTRATED

CESSNA AIRCRAFT COMPANY
MODEL 172 (SERIES 1996 AND ON)
 ILLUSTRATED PARTS CATALOG

B130



VIEW A-A



VIEW B-B

AIRPLANES 172S8348 THRU 172S8703

AVIONICS CIRCUIT BREAKER
 FIGURE 06 (SHEET 1)

0510T1007
 A0518T1019
 AA0518T1067
 BB0518T1067

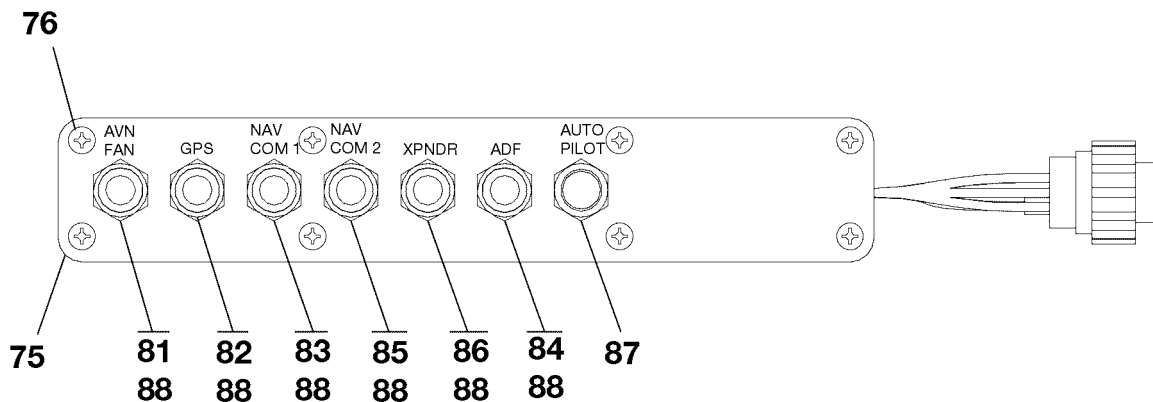
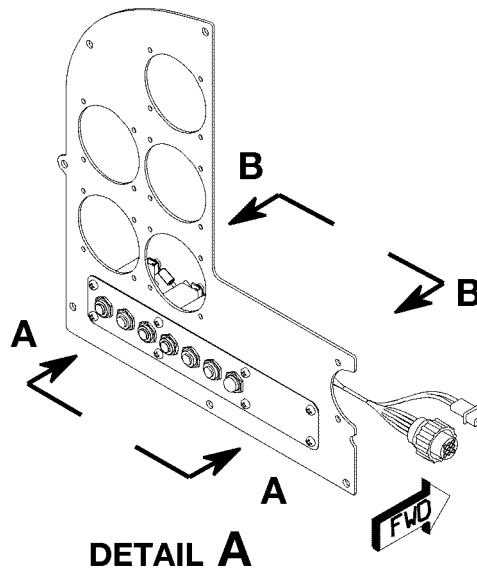
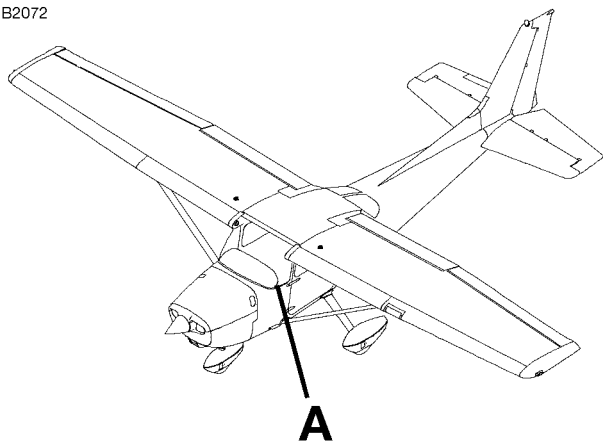
CESSNA AIRCRAFT COMPANY
MODEL 172 (SERIES 1996 AND ON)
 ILLUSTRATED PARTS CATALOG

FIG ITEM	PART NUMBER	NOMENCLATURE	UNITS
			PER ASSY
06			
-		AVIONICS CIRCUIT BREAKER	RF R
1	3930310-1	. BEZEL-AVIONICS CIRCUIT BREAKER PANEL	01 R
		ATTACHING PARTS	
2	CM3558-6-6B	. SCREW	08 R
		—*—	
- 3	3930309-1	. PANEL ASSY-AVIONICS CIRCUIT BREAKER	01 R
4	3930312-1	. . MOUNTING PLATE ASSY	01 R
5	MS21069-06	. . . NUTPLATE	04 R
6	MS21071-06	. . . NUTPLATE	04 R
7	1610-128-050A7	. . CIRCUIT BREAKER-AVIONICS FAN HI906 V76374	01 R
8	1610-128-050A7	. . CIRCUIT BREAKER-GPS HI902 V76374	01 R
9	1610-128-080A7	. . CIRCUIT BREAKER-NAV COM 1 HI900 V76374	01 R
10	1610-128-050A7	. . CIRCUIT BREAKER-ADF HI903 V76374	01 R
11	1610-128-080A7	. . CIRCUIT BREAKER-NAV COM 2 HI901 V76374	01 R
12	1610-128-050A7	. . CIRCUIT BREAKER-TRANSPONDER HI904 V76374	01 R
13	MS26574-5	. . CIRCUIT BREAKER-AUTOPILOT HI905	01 R
14	S2878-8	. . NUT	06 R
15	6238373-3	. . BUS BAR HI908	01 R
16	6238373-3	. . BUS BAR HI907	01 R
17	MS35206-226	. . SCREW	03 R

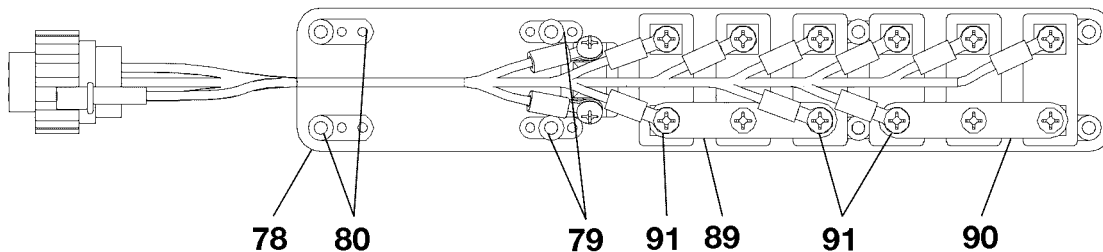
- ITEM NOT ILLUSTRATED

CESSNA AIRCRAFT COMPANY
MODEL 172 (SERIES 1996 AND ON)
 ILLUSTRATED PARTS CATALOG

B2072



VIEW A-A



VIEW B-B

AIRPLANES 17280984 AND ON AND
 AIRPLANES 172S8704 AND ON

AVIONICS CIRCUIT BREAKER
 FIGURE 06 (SHEET 2)

0510T1007
 A0518T1019
 AA0518T1102
 BB0518T1102

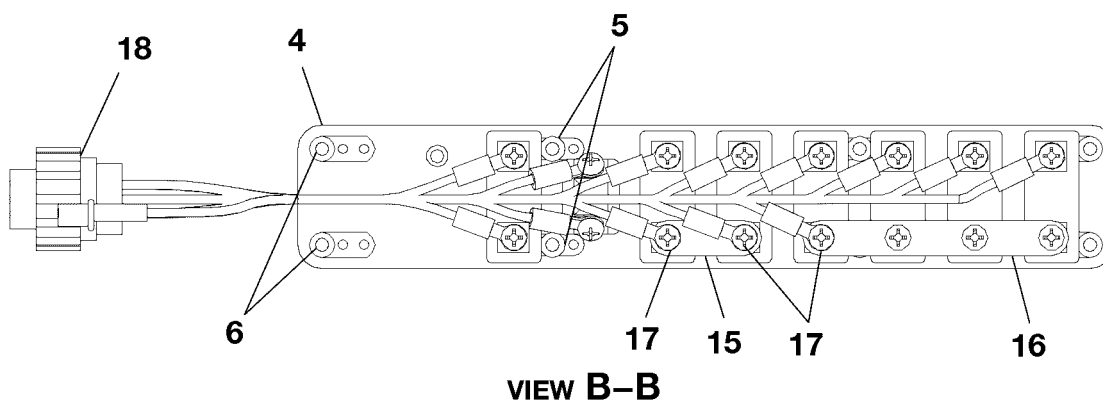
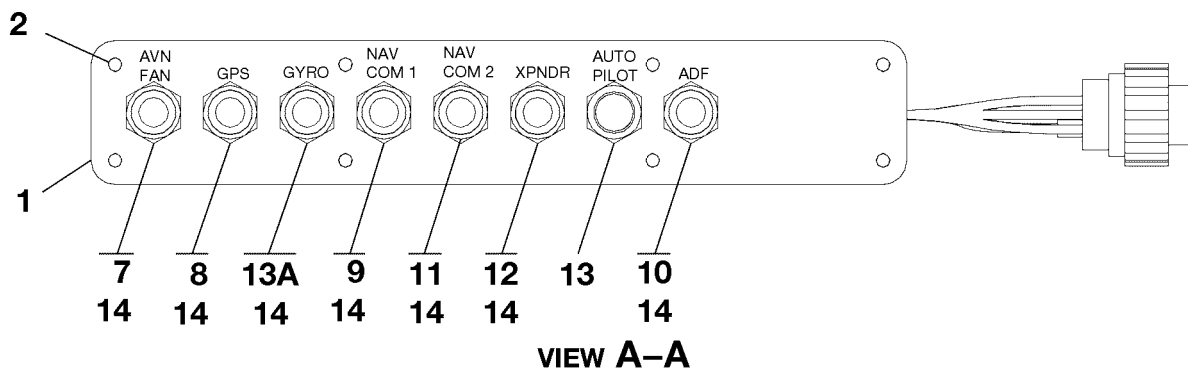
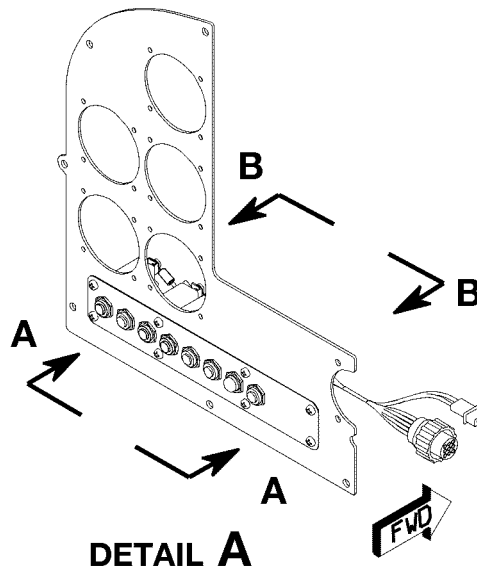
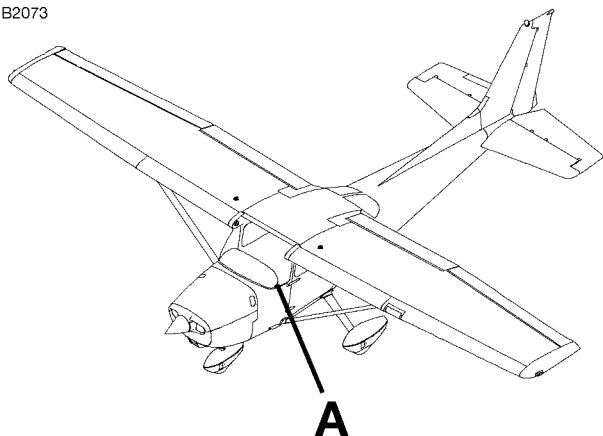
CESSNA AIRCRAFT COMPANY
MODEL 172 (SERIES 1996 AND ON)
 ILLUSTRATED PARTS CATALOG

FIG ITEM	PART NUMBER	NOMENCLATURE	UNITS PER ASSY		
			1	2	3
06					
75	3930348-9	. BEZEL-AVIONICS CIRCUIT BREAKER PANEL NAV 2 WITH ADF 172S	08348	08703	01 R
		. ATTACHING PARTS			
76	CM3558-6-6B	. SCREW			08 R
		. *			
- 77	3930344-2	. PANEL ASSY-AVIONICS CIRCUIT BREAKER			01 R
78	3930312-1	. . MOUNTING PLATE ASSY			01 R
79	MS21069-06	. . . NUTPLATE			04 R
80	MS21071-06	. . . NUTPLATE			04 R
81	1610-128-050A7	. . CIRCUIT BREAKER-AVIONICS FAN HI906 V76374			01 R
82	1610-128-050A7	. . CIRCUIT BREAKER-GPS HI902 V76374			01 R
83	1610-128-080A7	. . CIRCUIT BREAKER-NAV COM 1 HI900 V76374			01 R
84	1610-128-050A7	. . CIRCUIT BREAKER-ADF HI903 V76374			01 R
85	1610-128-080A7	. . CIRCUIT BREAKER-NAV COM 2 HI901 V76374			01 R
86	1610-128-050A7	. . CIRCUIT BREAKER-TRANSPONDER HI904 V76374			01 R
87	MS26574-5	. . CIRCUIT BREAKER-AUTOPILOT HI916			01 R
88	S2878-8	. . NUT			06 R
89	6238373-3	. . BUS BAR HI908			01 R
90	6238373-3	. . BUS BAR HI907			01 R
91	MS35206-226	. . SCREW			03 R

- ITEM NOT ILLUSTRATED

CESSNA AIRCRAFT COMPANY
MODEL 172 (SERIES 1996 AND ON)
 ILLUSTRATED PARTS CATALOG

B2073



AIRPLANES 17280984 AND ON AND
 AIRPLANES 172S8704 AND ON

0510T1007
 A0518T1019
 AA0518T1101
 BB0518T1101

AVIONICS CIRCUIT BREAKER PANEL-NAV 2 WITH HSI/ADF
 FIGURE 07 (SHEET 1)

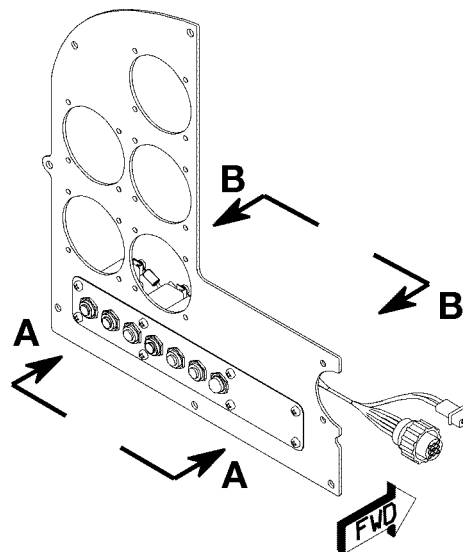
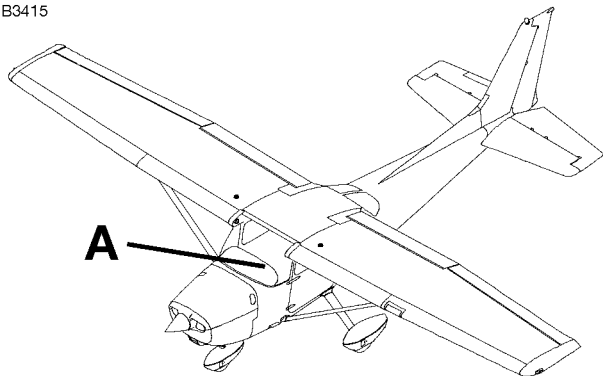
CESSNA AIRCRAFT COMPANY
MODEL 172 (SERIES 1996 AND ON)
ILLUSTRATED PARTS CATALOG

FIG ITEM	PART NUMBER	NOMENCLATURE	UNITS PER ASSY	
			1 2 3 4 5 6 7	
07		AVIONICS CIRCUIT BREAKER PANEL-NAV 2 WITH HSI/ADF		RF R
- 1	3930348-13	. BEZEL-AVIONICS CIRCUIT BREAKER PANEL W/HSI/ADF 172	80984	& ON 01 R
- 1A	3930348-13	. BEZEL-AVIONICS CIRCUIT BREAKER PANEL W/HSI/ADF 172S	08704	& ON 01 R
		ATTACHING PARTS		
2	CM3558-6-6B	. SCREW		08 R
- 3	3930344-4	. PANEL ASSY-AVIONICS CIRCUIT BREAKER 172	80984	& ON 01 R
- 3A	3940368-1	. PANEL ASSY-AVIONICS CIRCUIT BREAKER 172S	08704	& ON 01 R
4	3930312-1	. . MOUNTING PLATE ASSY		01 R
5	MS21069-06	. . . NUTPLATE		04 R
6	MS21071-06	. . . NUTPLATE		04 R
7	1610-128-050A7	. . CIRCUIT BREAKER-AVIONICS FAN HI906	V76374	01 R
8	1610-128-050A7	. . CIRCUIT BREAKER-GPS HI902	V76374	01 R
9	1610-128-080A7	. . CIRCUIT BREAKER-NAV COM 1 HI900	V76374	01 R
10	1610-128-050A7	. . CIRCUIT BREAKER-ADF HI903	V76374	01 R
11	1610-128-080A7	. . CIRCUIT BREAKER-NAV COM 2 HI901	V76374	01 R
12	1610-128-050A7	. . CIRCUIT BREAKER-TRANSPONDER HI904	V76374	01 R
13	MS26574-5	. . CIRCUIT BREAKER-AUTOPILOT HI916		01 R
13A	1610-128-050A7	. . CIRCUIT BREAKER-GYRO HI911		01 R
14	S2878-8	. . NUT		07 R
15	6238373-2	. . BUS BAR HI909		01 R
16	6238373-4	. . BUS BAR HI907		01 R
17	MS35206-226	. . SCREW		03 R
18		. C/A POWER REFER TO WIRING DIAGRAM MANUAL		RF R

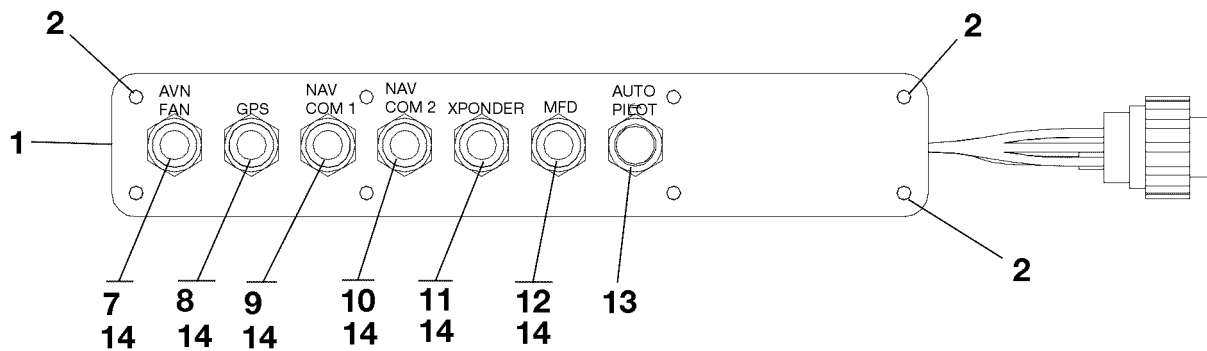
- ITEM NOT ILLUSTRATED

CESSNA AIRCRAFT COMPANY
MODEL 172 (SERIES 1996 AND ON)
 ILLUSTRATED PARTS CATALOG

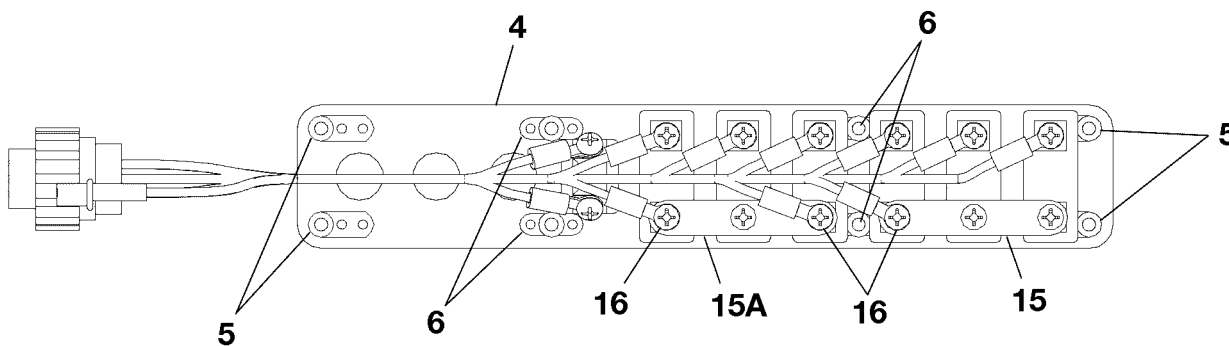
B3415



DETAIL A



VIEW A-A



VIEW B-B

AIRPLANES 17281098 AND ON AND
 AIRPLANES 172S9063 AND ON

0510T1007
 A0518T1019
 AA0518T1077
 BB0518T1076

AVIONICS CIRCUIT BREAKER PANEL-NAV 2 WITH MFD
FIGURE 08 (SHEET 1)

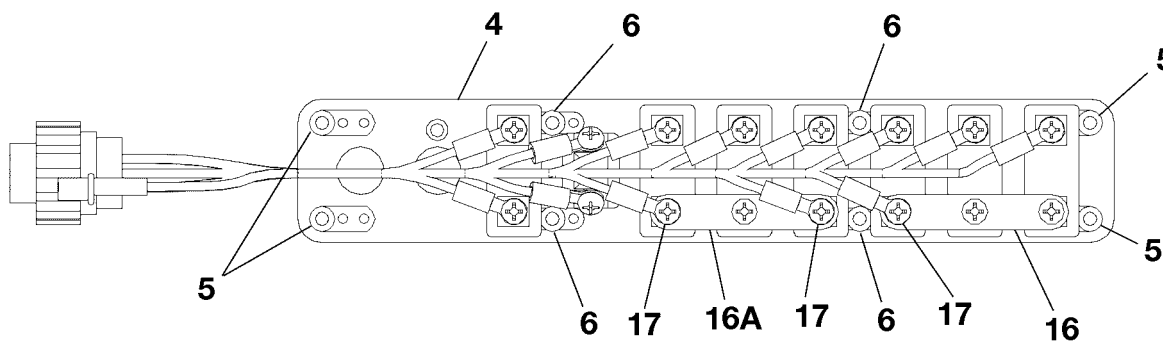
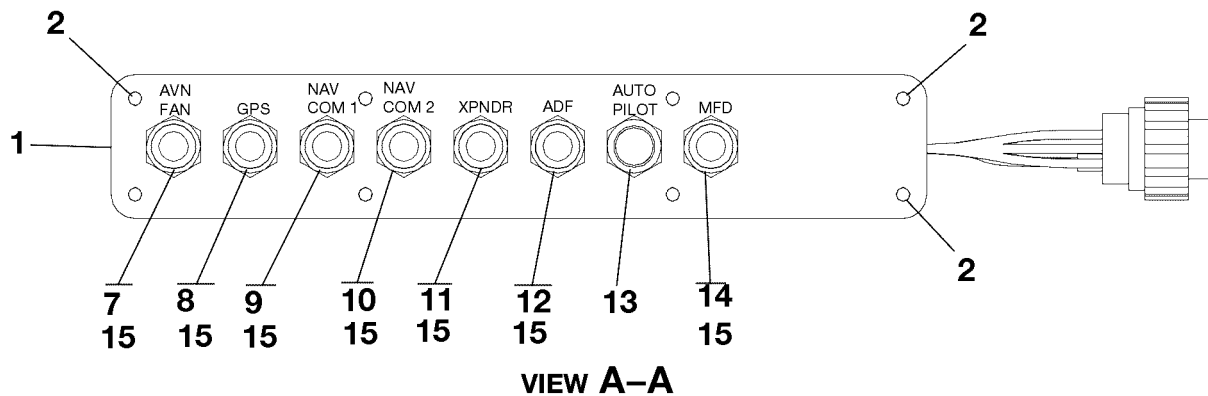
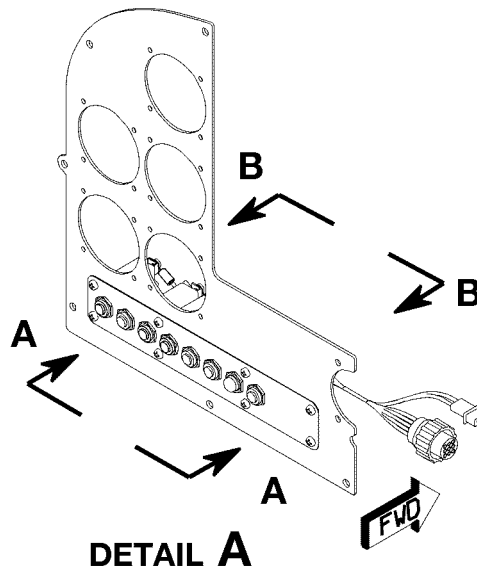
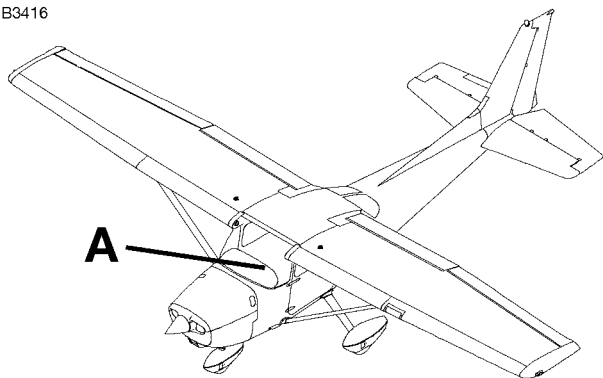
CESSNA AIRCRAFT COMPANY
MODEL 172 (SERIES 1996 AND ON)
 ILLUSTRATED PARTS CATALOG

FIG ITEM	PART NUMBER	NOMENCLATURE	UNITS PER ASSY	
			1 2 3 4 5 6 7	
08		AVIONICS CIRCUIT BREAKER PANEL-NAV 2 WITH MFD		RF R
-				
1	3930348-21	. BEZEL-NAV 2 W/MFD 172	81098	& ON 01 R
- 1A	3930348-21	. BEZEL-NAV 2 W/MFD 172S	09063	& ON 01 R
		ATTACHING PARTS		
2	CM3558-6-6B	. SCREW		08 R
		—*—		
- 3	3930344-5	. PANEL ASSEMBLY-AVIONICS CIRCUIT BREAKER NAV 2 W/MFD		01 R
4	3930312-1	. . MOUNTING PLATE ASSEMBLY		01 R
5	MS21071-06-4	. . . NUTPLATE		04 R
6	MS21069-06-4	. . . NUTPLATE		04 R
7	1610-128-050A7	. . CIRCUIT BREAKER-AVIONICS FAN HI906		01 R
8	1610-128-050A7	. . CIRCUIT BREAKER-GPS HI902		01 R
9	1610-128-080A7	. . CIRCUIT BREAKER-NAV COM 1 HI900		01 R
10	1610-128-080A7	. . CIRCUIT BREAKER-NAV COM 2 HI901		01 R
11	1610-128-050A7	. . CIRCUIT BREAKER-XPNDR HI904		01 R
12	1610-128-050A7	. . CIRCUIT BREAKER-MFD HI921		01 R
13	MS26574-5	. . CIRCUIT BREAKER-AUTOPILOT HI916		01 R
14	S2878-8	. . NUT		06 R
15	6238373-3	. . BUS BAR HI919		01 R
15A	6238373-3	. . BUS BAR HI908		01 R
16	MS35206-226	. . SCREW		03 R

- ITEM NOT ILLUSTRATED

CESSNA AIRCRAFT COMPANY
MODEL 172 (SERIES 1996 AND ON)
 ILLUSTRATED PARTS CATALOG

B3416



AIRPLANES 17281098 AND ON AND
 AIRPLANES 172S9063 AND ON

0510T1007
 A0518T1019
 AA0518T1079
 BB0518T1078

AVIONICS CIRCUIT BREAKER PANEL-NAV 2 WITH ADF/MFD
 FIGURE 09 (SHEET 1)

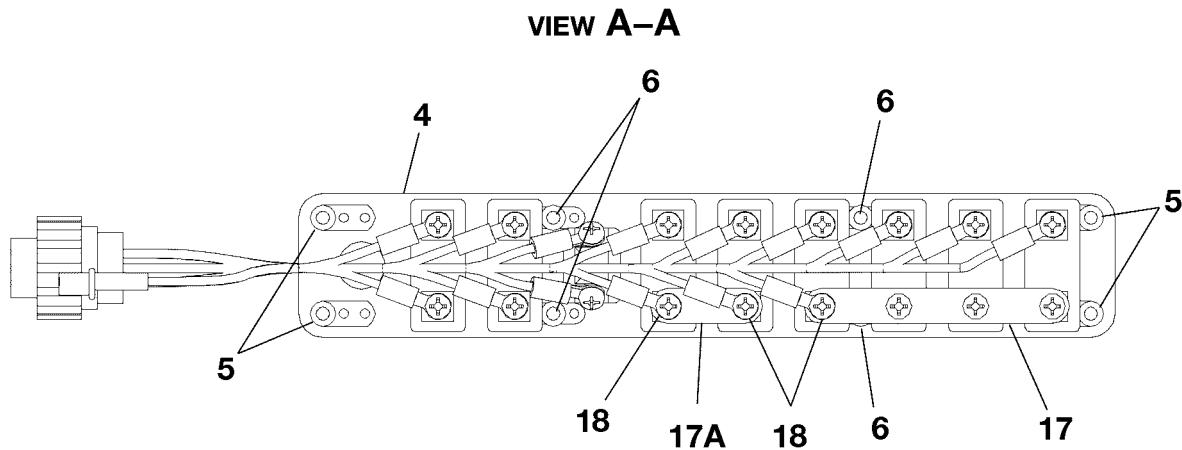
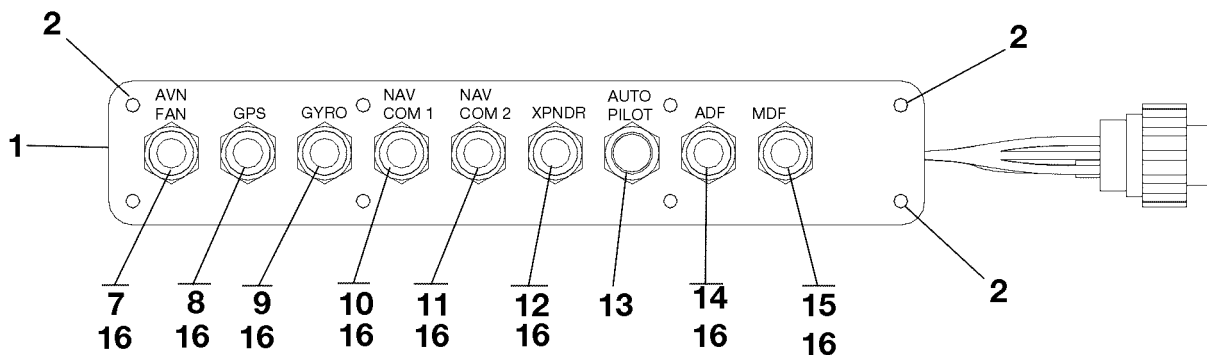
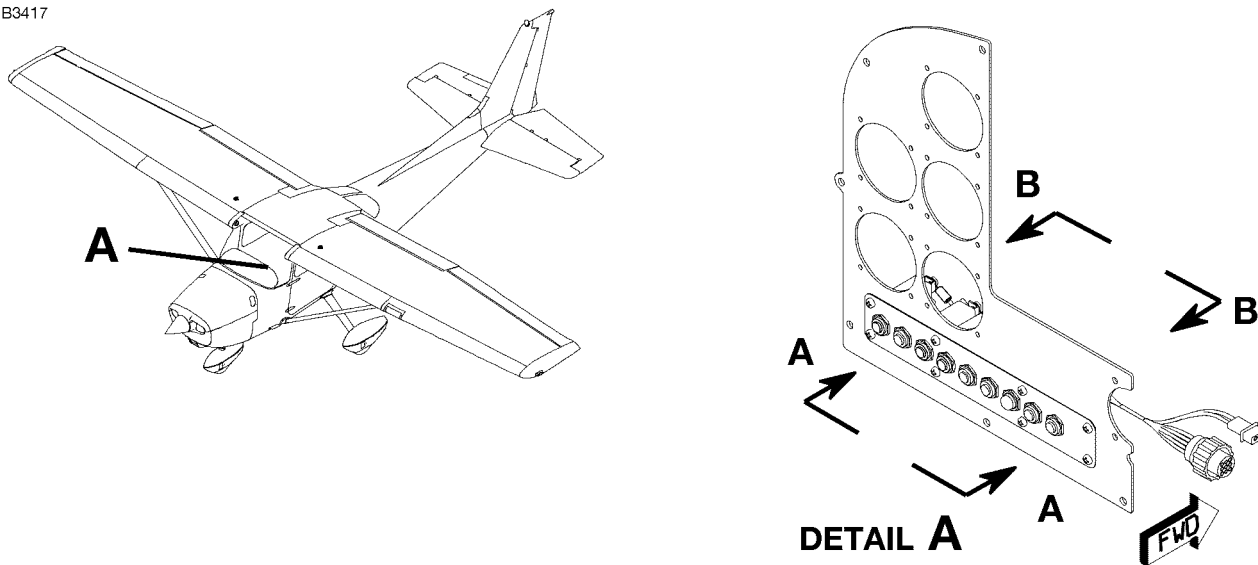
CESSNA AIRCRAFT COMPANY
MODEL 172 (SERIES 1996 AND ON)
 ILLUSTRATED PARTS CATALOG

FIG ITEM	PART NUMBER	NOMENCLATURE	UNITS PER ASSY	
			1 2 3 4 5 6 7	
09		AVIONICS CIRCUIT BREAKER PANEL-NAV 2 WITH ADF/MFD		RF R
-				
1	3930348-23	. BEZEL-NAV 2 W/ADF/MFD 172	81098	& ON 01 R
- 1A	3930348-23	. BEZEL-NAV 2 W/ADF/MFD 172S	09063	& ON 01 R
		ATTACHING PARTS		
2	CM3558-6-6B	. SCREW		08 R
		—*—		
- 3	3930344-6	. PANEL ASSY-AVIONICS CIRCUIT BREAKER NAV 2 W/ADF/MFD		01 R
4	3930312-1	. . MOUNTING PLATE ASSEMBLY		01 R
5	MS21071-06	. . . NUTPLATE		04 R
6	MS21069-06	. . . NUTPLATE		04 R
7	1610-128-050A7	. . CIRCUIT BREAKER-AVIONICS FAN HI906		01 R
8	1610-128-050A7	. . CIRCUIT BREAKER-GPS HI902		01 R
9	1610-128-080A7	. . CIRCUIT BREAKER-NAV COM 1 HI900		01 R
10	1610-128-080A7	. . CIRCUIT BREAKER-NAV COM 2 HI901		01 R
11	1610-128-050A7	. . CIRCUIT BREAKER-XPNDR HI904		01 R
12	1610-128-050A7	. . CIRCUIT BREAKER-ADF HI903		01 R
13	MS26574-5	. . CIRCUIT BREAKER-AUTOPILOT HI916		01 R
14	1610-128-050A7	. . CIRCUIT BREAKER-MFD HI921		01 R
15	S2878-8	. . NUT		07 R
16	6238373-3	. . BUS BAR HI919		01 R
16A	6238373-3	. . BUS BAR HI908		01 R
17	MS35206-226	. . SCREW		03 R

- ITEM NOT ILLUSTRATED

CESSNA AIRCRAFT COMPANY
MODEL 172 (SERIES 1996 AND ON)
 ILLUSTRATED PARTS CATALOG

B3417



VIEW B-B
 AIRPLANES 17281098 AND ON AND
 AIRPLANES 172S9063 AND ON

AVIONICS CIRCUIT BREAKER PANEL-NAV 2 WITH HSI/ADF/MFD
 FIGURE 10 (SHEET 1)

0510T1007
 A0518T1019
 AA0518T1082
 BB0518T1082

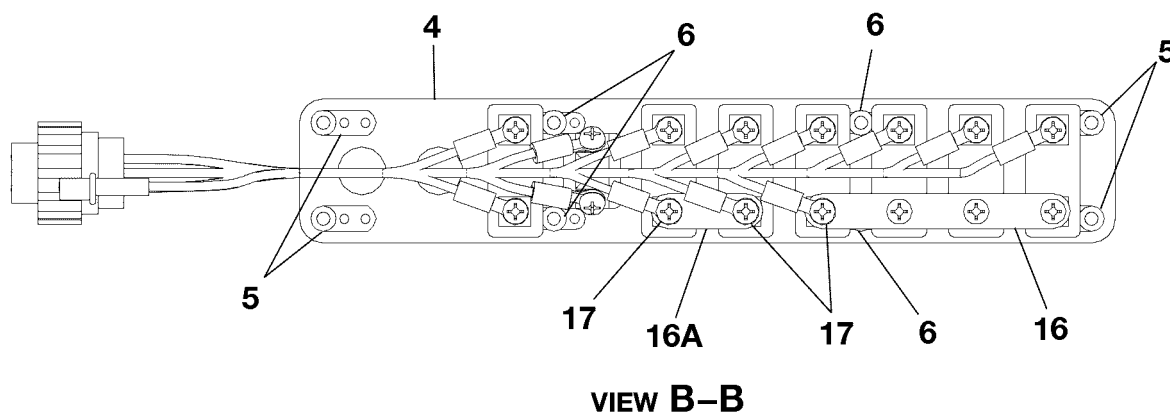
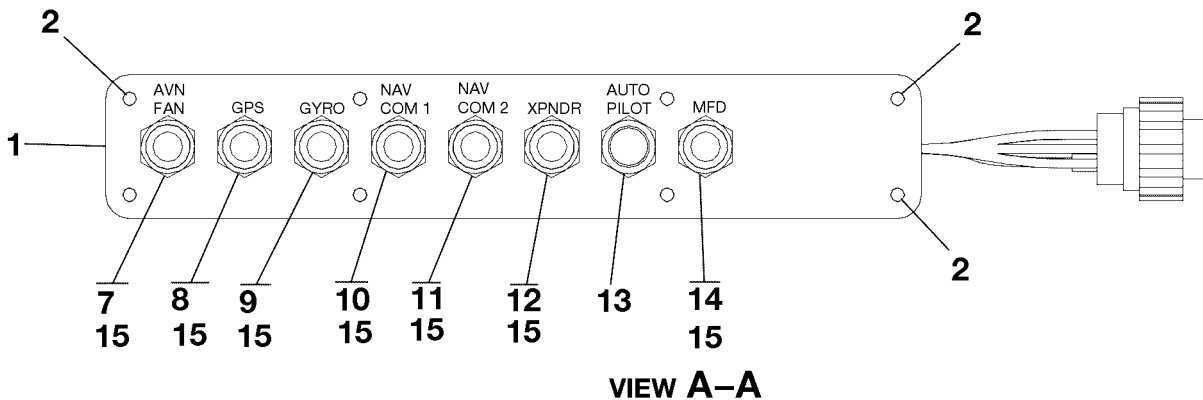
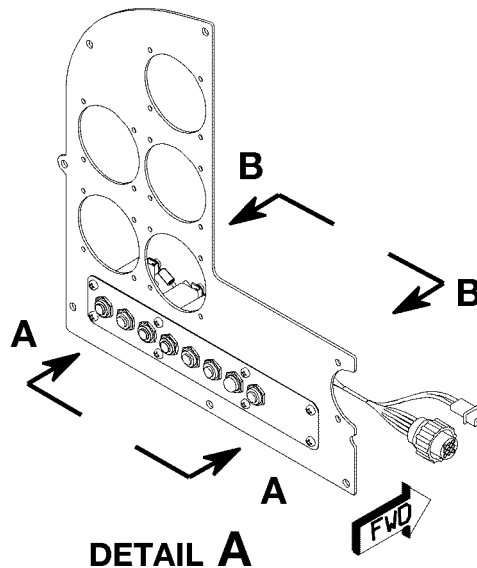
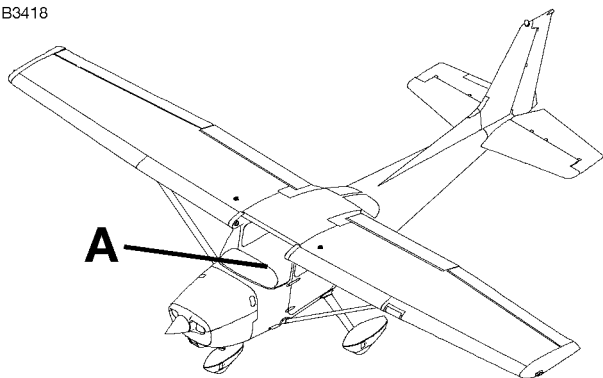
CESSNA AIRCRAFT COMPANY
MODEL 172 (SERIES 1996 AND ON)
 ILLUSTRATED PARTS CATALOG

FIG ITEM	PART NUMBER	NOMENCLATURE	UNITS PER ASSY	
			1 2 3 4 5 6 7	
10		AVIONICS CIRCUIT BREAKER PANEL-NAV 2 WITH HSI/ADF/MFD		RF R
- 1	3930348-27	. BEZEL-NAV 2 W/HSI/ADF/MFD 172	81098	& ON 01 R
- 1A	3930348-27	. BEZEL-NAV 2 W/HSI/ADF/MFD 172S	09063	& ON 01 R
		ATTACHING PARTS		
2	CM3558-6-6B	. SCREW		08 R
- 3	3930344-7	. PANEL ASSY-AVIONICS CIRCUIT BREAKER NAV 2 W/HSI/ADF/MFD		01 R
4	3930312-1	. MOUNTING PLATE ASSEMBLY		01 R
5	MS21071-06-4	. NUTPLATE		04 R
6	MS21069-06-4	. NUTPLATE		04 R
7	1610-128-050A7	. CIRCUIT BREAKER-AVIONICS FAN HI906		01 R
8	1610-128-050A7	. CIRCUIT BREAKER-GPS HI902		01 R
9	1610-128-050A7	. CIRCUIT BREAKER-GYRO HI911		01 R
10	1610-128-080A7	. CIRCUIT BREAKER-NAV COM 1 HI900		01 R
11	1610-128-080A7	. CIRCUIT BREAKER-NAV COM 2 HI901		01 R
12	1610-128-050A7	. CIRCUIT BREAKER-XPNDR HI904		01 R
13	MS26574-5	. CIRCUIT BREAKER-AUTOPILOT HI916		01 R
14	1610-128-050A7	. CIRCUIT BREAKER-ADF HI903		01 R
15	1610-128-050A7	. CIRCUIT BREAKER-MFD HI921		01 R
16	S2878-8	. NUT		08 R
17	6238373-4	. BUS BAR HI919		01 R
17A	6238373-2	. BUS BAR HI908		01 R
18	MS35206-226	. SCREW		03 R

- ITEM NOT ILLUSTRATED

CESSNA AIRCRAFT COMPANY
MODEL 172 (SERIES 1996 AND ON)
 ILLUSTRATED PARTS CATALOG

B3418



AIRPLANES 17281098 AND ON AND
 AIRPLANES 172S9063 AND ON

0510T1007
 A0518T1019
 AA0518T1074
 BB0518T1075

AVIONICS CIRCUIT BREAKER PANEL-NAV 2 WITH HSI/MFD
 FIGURE 11 (SHEET 1)

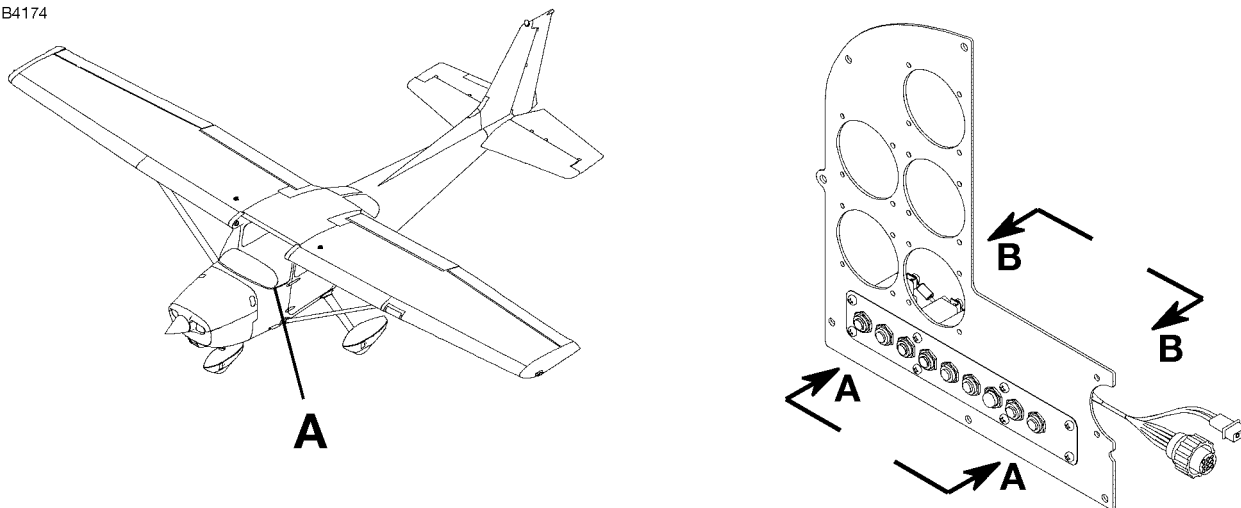
CESSNA AIRCRAFT COMPANY
MODEL 172 (SERIES 1996 AND ON)
 ILLUSTRATED PARTS CATALOG

FIG ITEM	PART NUMBER	NOMENCLATURE	UNITS PER ASSY	
			1 2 3 4 5 6 7	
11		AVIONICS CIRCUIT BREAKER PANEL-NAV 2 WITH HSI/MFD		RF R
-				
1	3930348-25	. BEZEL-NAV 2 W/HSI/MFD 172	81098	& ON 01 R
- 1A	3930348-25	. BEZEL-NAV 2 W/HSI/MFD 172S	09063	& ON 01 R
		ATTACHING PARTS		
2	CM3558-6-6B	. SCREW		08 R
		—*—		
- 3	3930344-8	. PANEL ASSEMBLY-AVIONICS CIRCUIT BREAKER NAV 2 W/HSI/MFD		01 R
4	3930312-1	. . MOUNTING PLATE ASSEMBLY		01 R
5	MS21071-06-4	. . . NUTPLATE		04 R
6	MS21069-06-4	. . . NUTPLATE		04 R
7	1610-128-050A7	. . CIRCUIT BREAKER-AVIONICS FAN HI906		01 R
8	1610-128-050A7	. . CIRCUIT BREAKER-GPS HI902		01 R
9	1610-128-050A7	. . CIRCUIT BREAKER-GYRO HI911		01 R
10	1610-128-080A7	. . CIRCUIT BREAKER-NAV COM 1 HI900		01 R
11	1610-128-080A7	. . CIRCUIT BREAKER-NAV COM 2 HI901		01 R
12	1610-128-050A7	. . CIRCUIT BREAKER-XPNDR HI904		01 R
13	MS26574-5	. . CIRCUIT BREAKER-AUTOPILOT HI916		01 R
14	1610-128-050A7	. . CIRCUIT BREAKER-MFD HI921		01 R
15	S2878-8	. . NUT		07 R
16	6238373-4	. . BUS BAR HI919		01 R
16A	6238373-2	. . BUS BAR HI908		01 R
17	MS35206-226	. . SCREW		03 R

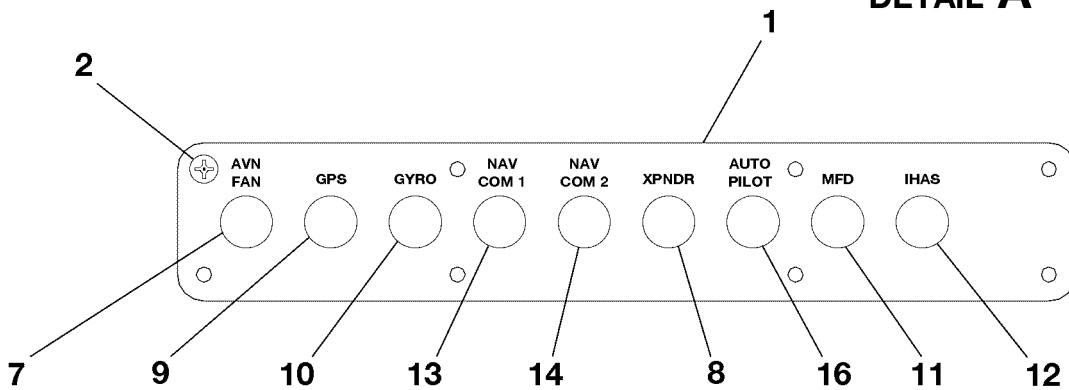
- ITEM NOT ILLUSTRATED

CESSNA AIRCRAFT COMPANY
MODEL 172 (SERIES 1996 AND ON)
 ILLUSTRATED PARTS CATALOG

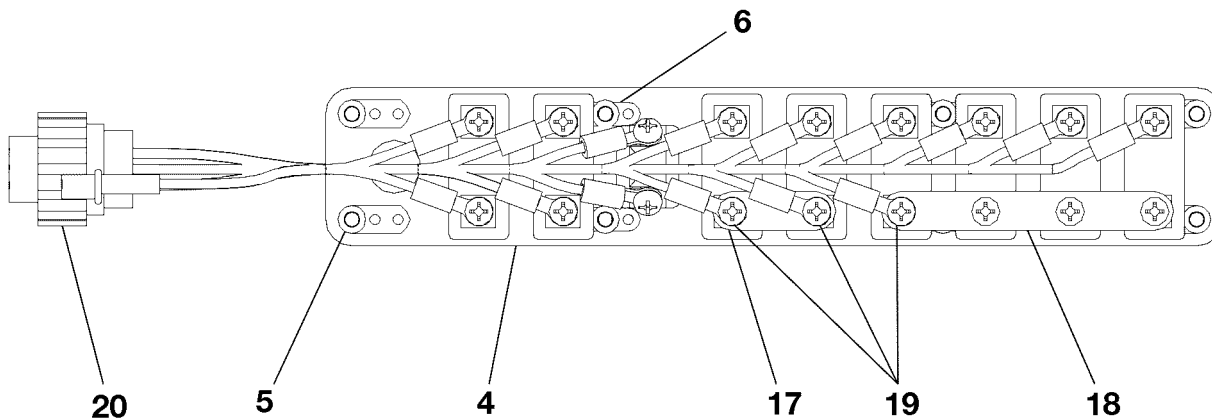
B4174



DETAIL A



VIEW A-A



DETAIL B-B

0510T1007
 A0518T1019
 AA0518T1147
 BB0518T1148

AVIONICS CIRCUIT BREAKER PANEL-NAV II WITH HSI/MFD/FIS
 FIGURE 12 (SHEET 1)

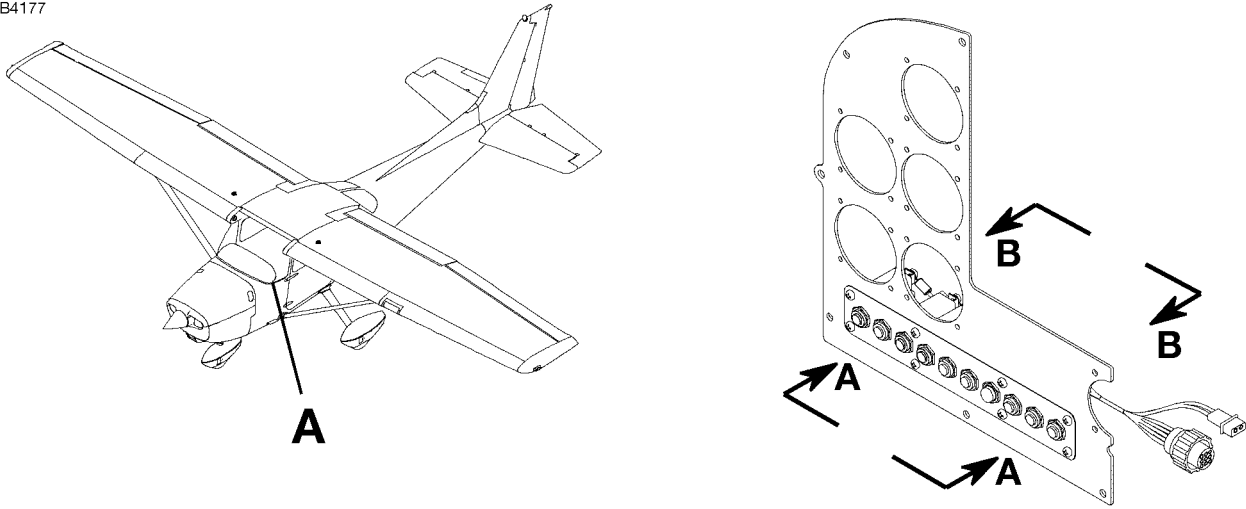
CESSNA AIRCRAFT COMPANY
MODEL 172 (SERIES 1996 AND ON)
 ILLUSTRATED PARTS CATALOG

FIG ITEM	PART NUMBER	NOMENCLATURE	UNITS
			PER ASSY
12			
-		AVIONICS CIRCUIT BREAKER PANEL-NAV II WITH HSI/MFD/FIS	RF R
1	3930348-29	. BEZEL- NAV II W/IHAS	01 R
		. ATTACHING PARTS	
2	CM3558-6-6B	. SCREW	08 R
		
-	3930347-3	. AVIONICS CIRCUIT BREAKER PANEL ASSY	01 R
4	3930312-1	. . MOUNTING PLATE ASSEMBLY	01 R
5	MS21069-06	. . . NUTPLATE	04 R
6	MS21071-06	. . . NUTPLATE	04 R
7	1610-128-050A7	. . CIRCUIT BREAKER HI906 V76374	01 R
8	1610-128-050A7	. . CIRCUIT BREAKER HI904 V76374	01 R
9	1610-128-050A7	. . CIRCUIT BREAKER HI902 V76374	01 R
10	1610-128-050A7	. . CIRCUIT BREAKER HI911 V76374	01 R
11	1610-128-050A7	. . CIRCUIT BREAKER HI921 V76374	01 R
12	1610-128-050A7	. . CIRCUIT BREAKER HI922 V76374	01 R
13	1610-128-080A7	. . CIRCUIT BREAKER HI900 V76374	01 R
14	1610-128-080A7	. . CIRCUIT BREAKER HI901 V76374	01 R
-	S2878-8	. . NUT	08 R
16	MS26574-5	. . CIRCUIT BREAKER HI916	01 R
17	6238373-2	. . BUS BAR	01 R
18	6238373-4	. . BUS BAR	01 R
19	MS35206-226	. . SCREW	03 R
20	3929133-1	. . C/A AVIONICS POWER	01 R

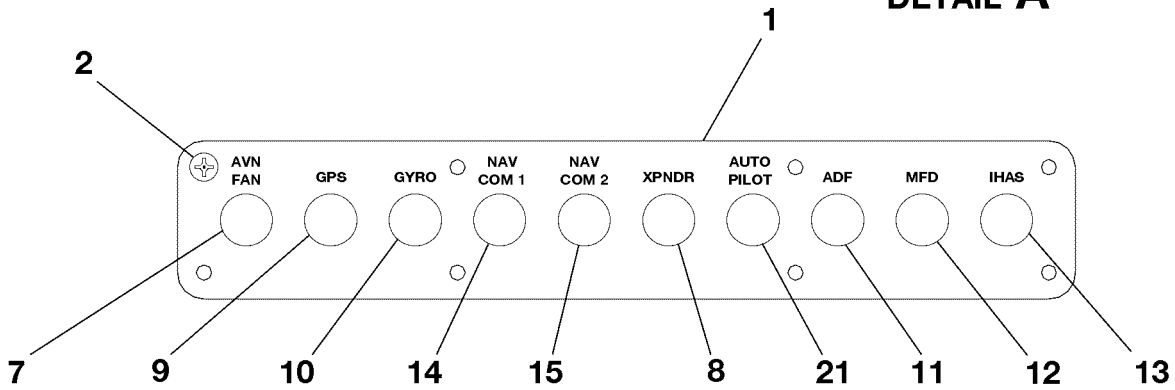
- ITEM NOT ILLUSTRATED

CESSNA AIRCRAFT COMPANY
MODEL 172 (SERIES 1996 AND ON)
 ILLUSTRATED PARTS CATALOG

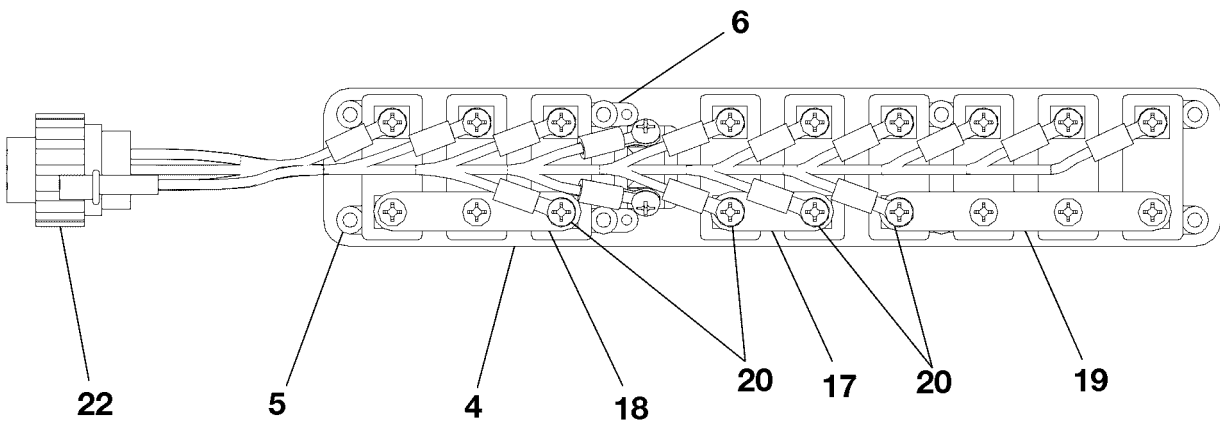
B4177



DETAIL A



VIEW A-A



DETAIL B-B

0510T1007
 A0518T1019
 AA0518T1145
 BB0518T1146

AVIONICS CIRCUIT BREAKER-NAV II WITH HSI/MFD/FIS/ADF
 FIGURE 13 (SHEET 1)

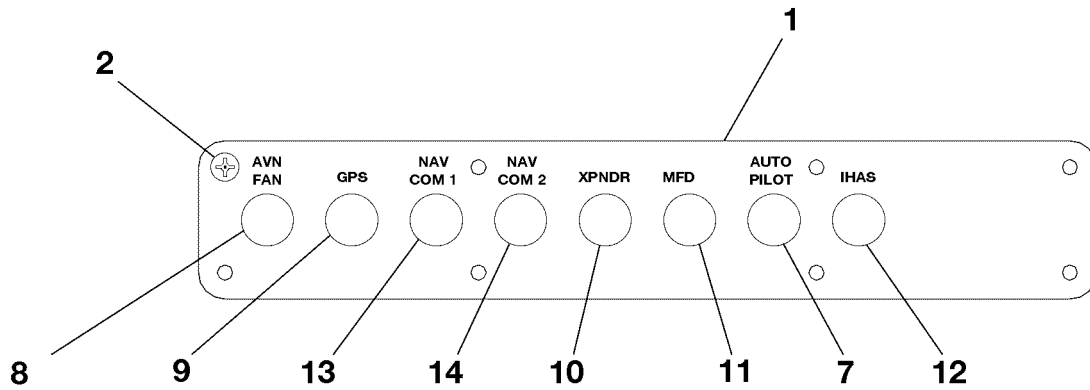
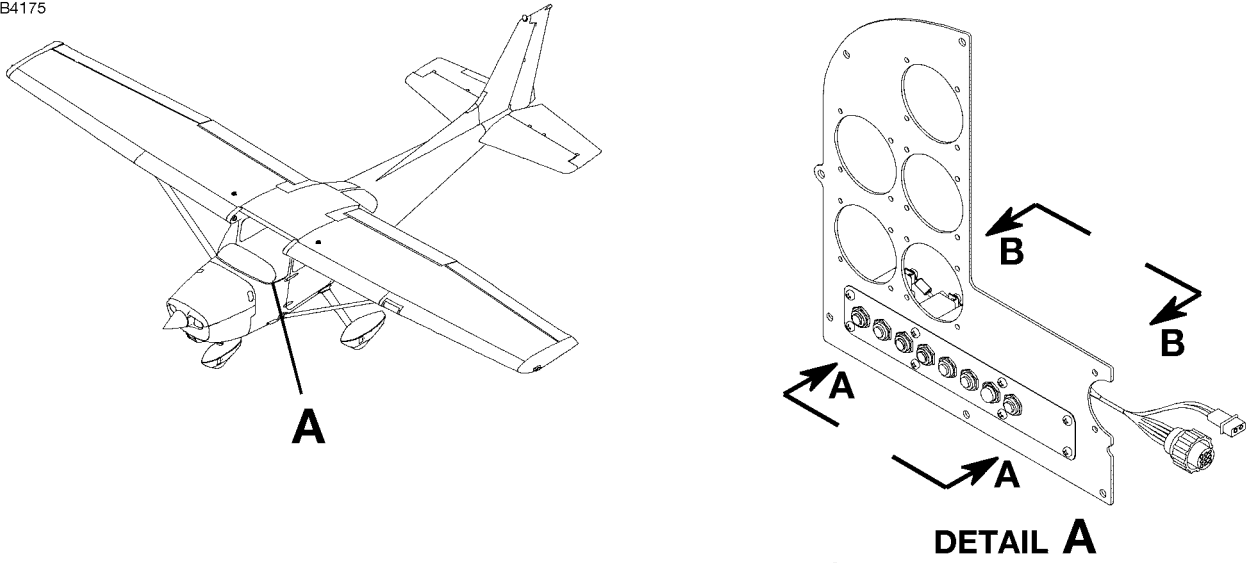
CESSNA AIRCRAFT COMPANY
MODEL 172 (SERIES 1996 AND ON)
 ILLUSTRATED PARTS CATALOG

FIG ITEM	PART NUMBER	NOMENCLATURE	UNITS
			PER ASSY
13			
-		AVIONICS CIRCUIT BREAKER-NAV II WITH HSI/MFD/FIS/ADF	RF R
1	3930348-30	. BEZEL	01 R
		ATTACHING PARTS	
2	CM3558-6-6B	. SCREW	08 R
		**_	
- 3	3930347-4	. AVIONICS CIRCUIT BREAKER PANEL ASSY	01 R
4	3930312-1	. . MOUNTING PLATE ASSEMBLY	01 R
5	MS21071-06	. . . NUTPLATE	04 R
6	MS21069-06	. . . NUTPLATE	04 R
7	1610-128-050A7	. . CIRCUIT BREAKER HI906 V76374	01 R
8	1610-128-050A7	. . CIRCUIT BREAKER HI904 V76374	01 R
9	1610-128-050A7	. . CIRCUIT BREAKER HI902 V76374	01 R
10	1610-128-050A7	. . CIRCUIT BREAKER HI911 V76374	01 R
11	1610-128-050A7	. . CIRCUIT BREAKER HI903 V76374	01 R
12	1610-128-050A7	. . CIRCUIT BREAKER HI921 V76374	01 R
13	1610-128-050A7	. . CIRCUIT BREAKER HI922 V76374	01 R
14	1610-128-080A7	. . CIRCUIT BREAKER HI900 V76374	01 R
15	1610-128-080A7	. . CIRCUIT BREAKER HI901 V76374	01 R
- 16	S2878-8	. . NUT	09 R
17	6238373-2	. . BUS BAR HI918	01 R
18	6238373-3	. . BUS BAR HI918	01 R
19	6238373-4	. . BUS BAR HI920	01 R
20	MS35206-226	. . SCREW	04 R
21	MS26574-5	. . CIRCUIT BREAKER HI916	01 R
22	3929140-1	. . C/A AVIONICS POWER	01 R

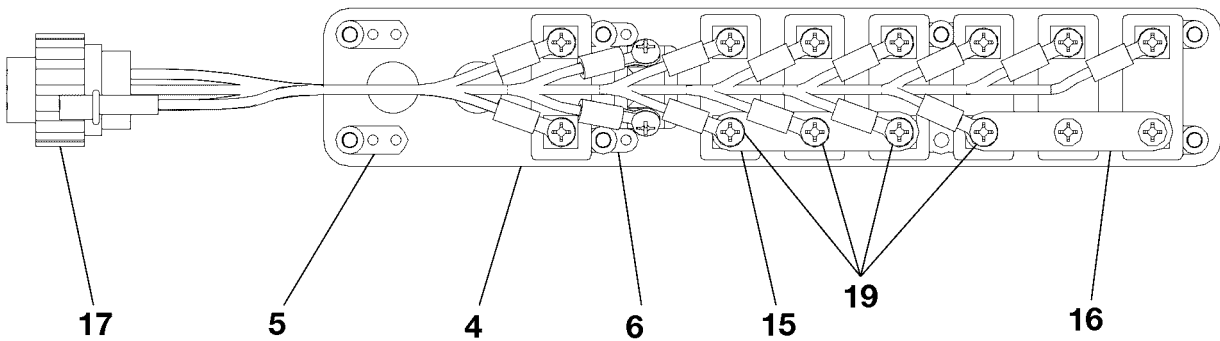
- ITEM NOT ILLUSTRATED

CESSNA AIRCRAFT COMPANY
MODEL 172 (SERIES 1996 AND ON)
 ILLUSTRATED PARTS CATALOG

B4175



VIEW A-A



DETAIL B-B

AVIONICS CIRCUIT BREAKER-NAV II WITH MFD/FIS
 FIGURE 14 (SHEET 1)

0510T1007
 A0518T1019
 AA0518T1143
 BB0518T1144

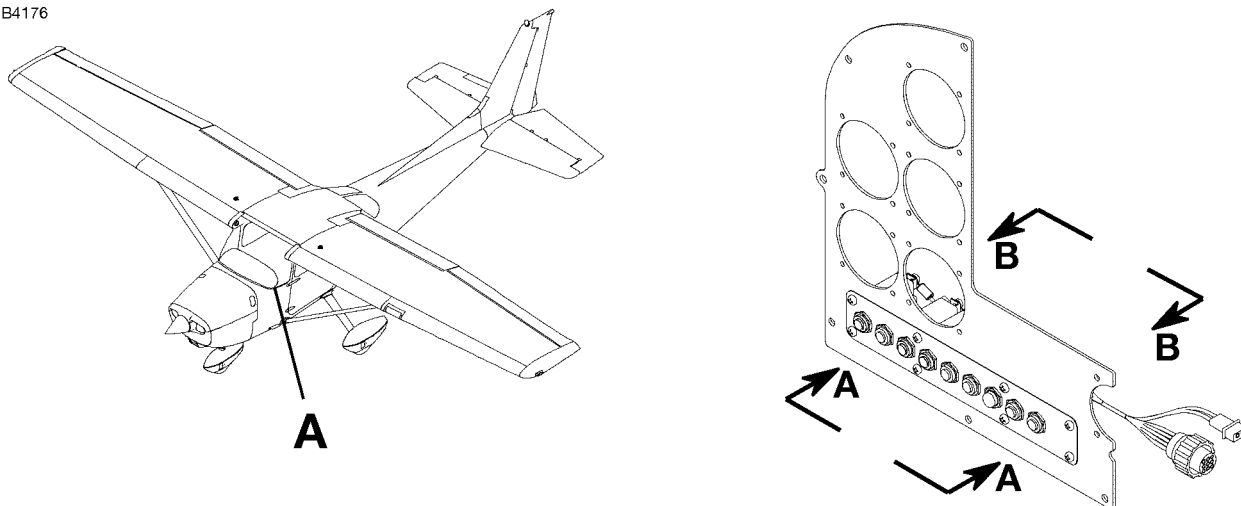
CESSNA AIRCRAFT COMPANY
MODEL 172 (SERIES 1996 AND ON)
 ILLUSTRATED PARTS CATALOG

FIG ITEM	PART NUMBER	NOMENCLATURE	UNITS
			PER ASSY
14			
-		AVIONICS CIRCUIT BREAKER-NAV II WITH MFD/FIS	RF R
1	3930348-34	. BEZEL	01 R
		ATTACHING PARTS	
2	CM3558-6-6B	. SCREW	08 R
		—*—	
- 3	3930347-6	. AVIONICS CIRCUIT BREAKER PANEL ASSY	01 R
4	3930312-1	. . MOUNTING PLATE ASSEMBLY	01 R
5	MS21071-06	. . . NUTPLATE	04 R
6	MS21069-06	. . . NUTPLATE	04 R
7	MS26574-5	. . CIRCUIT BREAKER HI916	01 R
8	1610-128-050A7	. . CIRCUIT BREAKER HI906 V76374	01 R
9	1610-128-050A7	. . CIRCUIT BREAKER HI902 V76374	01 R
10	1610-128-050A7	. . CIRCUIT BREAKER HI904 V76374	01 R
11	1610-128-050A7	. . CIRCUIT BREAKER HI921 V76374	01 R
12	1610-128-050A7	. . CIRCUIT BREAKER HI922 V76374	01 R
13	1610-128-080A7	. . CIRCUIT BREAKER HI900 V76374	01 R
14	1610-128-080A7	. . CIRCUIT BREAKER HI901 V76374	01 R
15	6238373-3	. . BUS BAR HI919	01 R
16	6238373-3	. . BUS BAR HI908	01 R
17	3929149-1	. . C/A AVIONICS POWER	01 R
- 18	S2878-8	. . NUT	08 R
19	MS35206-226	. . SCREW	04 R

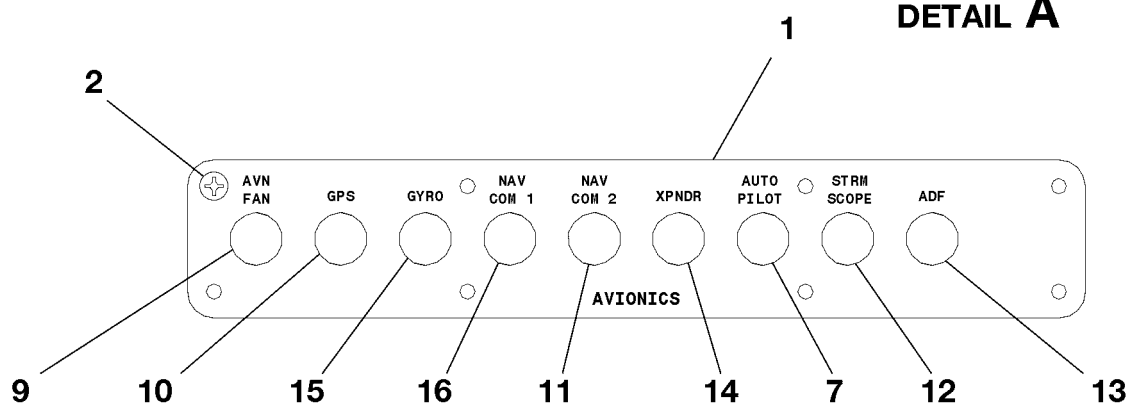
- ITEM NOT ILLUSTRATED

CESSNA AIRCRAFT COMPANY
MODEL 172 (SERIES 1996 AND ON)
 ILLUSTRATED PARTS CATALOG

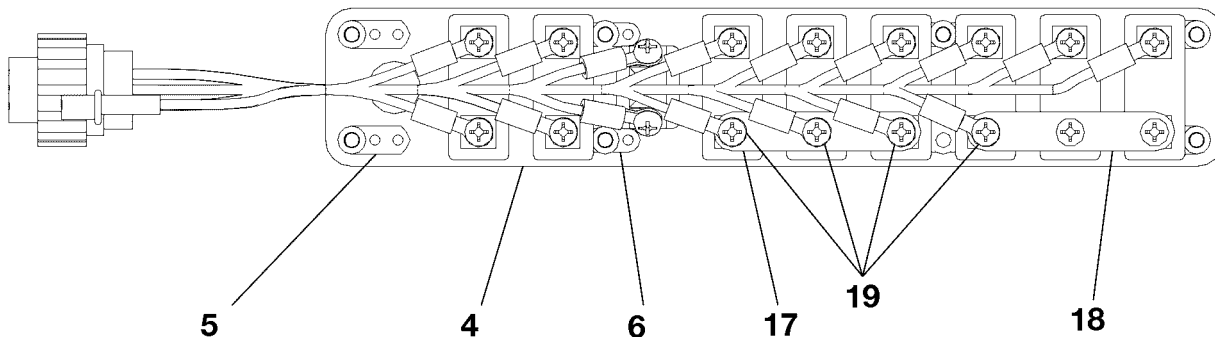
B4176



DETAIL A



VIEW A-A



DETAIL B-B

0510T1007
 A0518T1019
 AA0518T1141
 BB0518T1142

AVIONICS CIRCUIT BREAKER-NAV II WITH MFD/FIS/ADF
 FIGURE 15 (SHEET 1)

CESSNA AIRCRAFT COMPANY
MODEL 172 (SERIES 1996 AND ON)
 ILLUSTRATED PARTS CATALOG

FIG ITEM	PART NUMBER	NOMENCLATURE	UNITS
			PER ASSY
		1 2 3 4 5 6 7	
15			
-		AVIONICS CIRCUIT BREAKER-NAV II WITH MFD/FIS/ADF	RF R
1	3930348-36	. BEZEL	01 R
		ATTACHING PARTS	
2	CM3558-6-6B	. SCREW	08 R
		—*—	
- 3	3930347-7	. AVIONICS CIRCUIT BREAKER PANEL ASSY	01 R
4	3930312-1	. . MOUNTING PLATE ASSEMBLY	01 R
5	MS21071-06	. . . NUTPLATE	04 R
6	MS21069-06	. . . NUTPLATE	04 R
7	MS26574-5	. . CIRCUIT BREAKER HI916	01 R
- 8	S2878-8	. . NUT	07 R
9	1610-128-050A7	. . CIRCUIT BREAKER HI906 V76374	01 R
10	1610-128-050A7	. . CIRCUIT BREAKER HI902 V76374	01 R
11	1610-128-050A7	. . CIRCUIT BREAKER HI904 V76374	01 R
12	1610-128-050A7	. . CIRCUIT BREAKER HI921 V76374	01 R
13	1610-128-050A7	. . CIRCUIT BREAKER HI922 V76374	01 R
14	1610-128-050A7	. . CIRCUIT BREAKER HI903 V76374	01 R
15	1610-128-080A7	. . CIRCUIT BREAKER HI900 V76374	01 R
16	1610-128-080A7	. . CIRCUIT BREAKER HI901 V76374	01 R
17	6238373-3	. . BUS BAR HI919	01 R
18	6238373-3	. . BUS BAR HI908	01 R
19	MS35206-226	. . SCREW	04 R

- ITEM NOT ILLUSTRATED

CHAPTER

25

**EQUIPMENT/
FURNISHINGS**

CESSNA AIRCRAFT COMPANY
MODEL 172 (SERIES 1996 AND ON)
 ILLUSTRATED PARTS CATALOG

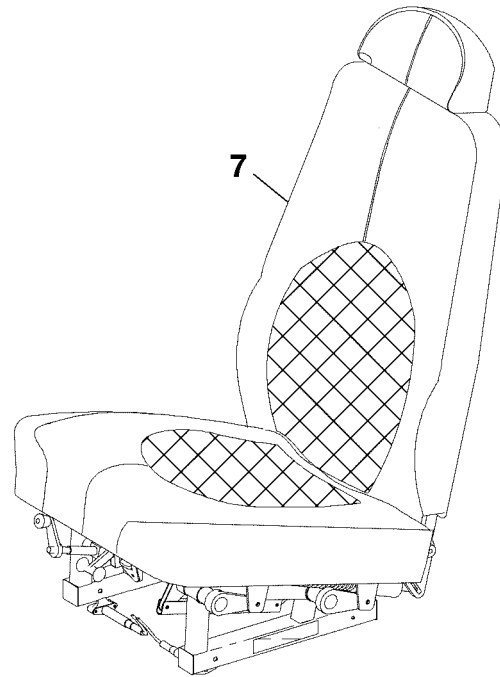
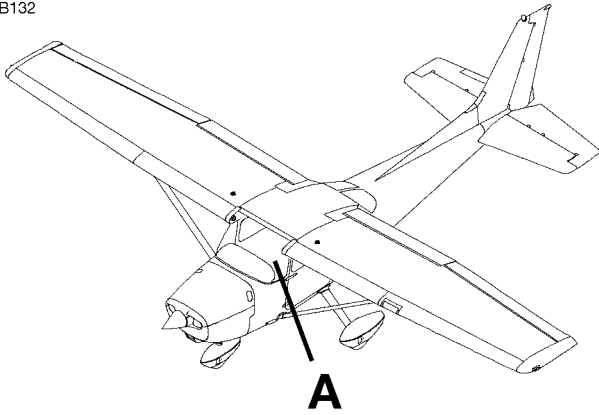
CHAPTER SECTION SUBJECT		NUMBER OF PAGES	DATE
25 - TITLE			
25 - LIST OF EFFECTIVE PAGES			
25 - RECORD OF TEMPORARY REVISIONS			
25 - TABLE OF CONTENTS			
25-10-00	Figure 01	8	Jul 1/2016
25-10-00	Figure 02	4	Jul 1/2015
25-10-00	Figure 03	4	Jul 1/2015
25-10-00	Figure 04	2	Jul 3/2006
25-10-00	Figure 05	4	Jul 1/2016
25-10-01	Figure 01	2	Jul 1/2013
25-10-02	Figure 01	2	Dec 6/2004
25-10-03	Figure 01	2	Jan 1/2012
25-10-03	Figure 01A	4	Jul 1/2016
25-11-00	Figure 01	2	Jan 1/2012
25-12-00	Figure 01	2	Jan 1/2012
25-20-00	Figure 01	4	Jul 1/2016
25-20-00	Figure 02	4	Jul 1/2010
25-20-00	Figure 03	2	Jul 1/2015
25-20-00	Figure 04	2	Jul 1/2015
25-20-00	Figure 05	4	Jul 1/2016
25-20-00	Figure 06	4	Jul 1/2016
25-20-10	Figure 01	4	Jan 1/2009
25-20-10	Figure 02	4	Dec 1/2007
25-20-10	Figure 03	6	Jul 1/2016
25-20-10	Figure 04	2	Jul 1/2013
25-20-10	Figure 05	2	Jul 1/2010
25-20-20	Figure 01	2	Jul 1/2015
25-21-00	Figure 01	8	Jul 1/2016
25-21-01	Figure 01	2	Jan 1/2012
25-21-01	Figure 01A	2	Jul 1/2016
25-23-00	Figure 01	2	Jan 2/2006
25-23-00	Figure 02	2	Jul 1/2015
25-23-00	Figure 03	2	Jul 1/2015
25-60-00	Figure 01	2	Jan 1/2009
25-60-00	Figure 02	2	Jan 1/2009
25-60-00	Figure 03	2	Jul 1/2014
25-60-01	Figure 01	2	Jan 1/2009
25-70-00	Figure 01	2	Jul 1/2010
25-80-00	Figure 01	6	Jan 1/2012
25-80-00	Figure 02	2	Jul 1/2013

CESSNA AIRCRAFT COMPANY
MODEL 172 (SERIES 1996 AND ON)
 ILLUSTRATED PARTS CATALOG

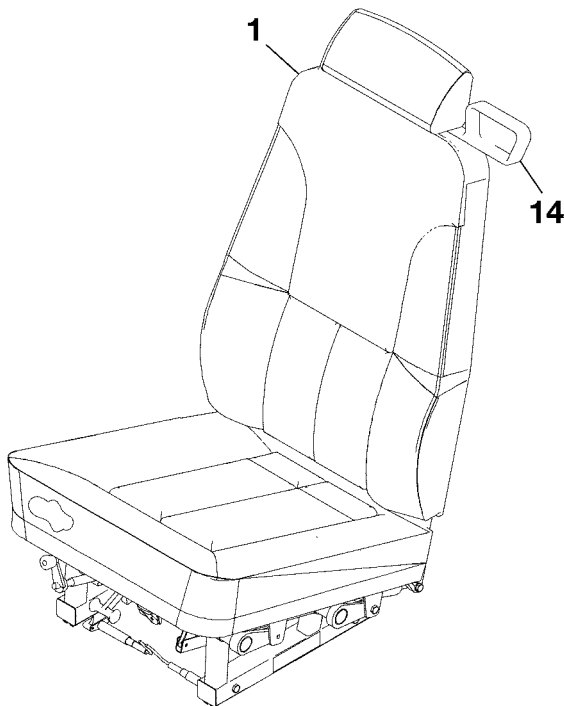
<u>SUBJECT</u>	<u>CHAPTER SECTION SUBJECT</u>	<u>FIGURE</u>	<u>EFFECTIVITY</u>	
			<u>START</u>	<u>END</u>
SEAT INSTALLATION - PILOT AND COPILOT	25-10-00	01		
SEAT ASSEMBLY - PILOT AND COPILOT	25-10-00	02	80001	81140
			08001	09286
SEAT ASSEMBLY-PILOT AND COPILOT	25-10-00	03	81141	& ON
			09287	& ON
SEAT FOOT ASSY-PILOT AND COPILOT	25-10-00	04		
OBSERVER SEAT INSTALLATION - OPTIONAL	25-10-00	05	81545	& ON
			10886	& ON
GLARESHIELD INSTALLATION	25-10-01	01		
MAP COMPARTMENT INSTALLATION	25-10-02	01		
RESTRAINT SYSTEM INSTALLATION PILOT AND COPILOT	25-10-03	01		
AMSAFE INFLATABLE RESTRAINT SYSTEM - PILOT AND COPILOT	25-10-03	01A		
SUNVISOR INSTALLATION	25-11-00	01		
SHEEPSKIN SLIPCOVERS	25-12-00	01		
SIDE UPHOLSTERY- LEFT	25-20-00	01	80001	80983
			08001	08703
SIDE UPHOLSTERY-RIGHT	25-20-00	02	80001	80983
			08001	08703
SIDE UPHOLSTERY-LEFT	25-20-00	03	80984	81200
			08704	09568
SIDE UPHOLSTERY-RIGHT	25-20-00	04	80984	81200
			08704	09568
SIDE UPHOLSTERY - LEFT	25-20-00	05	81201	& ON
			09569	& ON
SIDE UPHOLSTERY - RIGHT	25-20-00	06	81201	& ON
			09569	& ON
CABIN OVERHEAD TRIM	25-20-10	01	80001	80983
			08001	08703
CABIN OVERHEAD TRIM	25-20-10	02	80984	81200
			08704	09568
CABIN OVERHEAD TRIM	25-20-10	03	81201	& ON
			09569	& ON
OVERHEAD CONSOLE INSTALLATION	25-20-10	04		
HEADLINER ASSEMBLY	25-20-10	05		
BAGGAGE NET ASSEMBLY	25-20-20	01		
AFT BENCH SEAT INSTALLATION	25-21-00	01		
RESTRAINT SYSTEM INSTALLATION-AFT BENCH SEAT	25-21-01	01		
AMSAFE INFLATABLE RESTRAINT SYSTEM	25-21-01	01A		
CARPET INSTALLATION	25-23-00	01	80001	80983
			08001	08703
CARPET INSTALLATION	25-23-00	02	80984	& ON
			08704	& ON
CARPET INSTALLATION	25-23-00	03	81234	& ON
			09771	& ON
EMERGENCY LOCATOR TRANSMITTER 3000-11/4000-11	25-60-00	01	80001	81356
			8001	10431
C406-N EMERGENCY LOCATOR TRANSMITTER	25-60-00	02	81334	& ON
			10215	& ON
ME406 EMERGENCY LOCATOR TRANSMITTER	25-60-00	03	81357	& ON
			10432	& ON
CO DETECTOR	25-60-01	01		
WINTERIZATION EQUIPMENT	25-70-00	01		
SOUNDPROOFING INSTALLATION-FUSELAGE	25-80-00	01		
INSULATION INSTALLATION	25-80-00	02		

CESSNA AIRCRAFT COMPANY
MODEL 172 (SERIES 1996 AND ON)
ILLUSTRATED PARTS CATALOG

B132



DETAIL A
VINYL/LEATHER
OPTIONS



DETAIL A

SEAT INSTALLATION - PILOT AND COPILOT
FIGURE 01 (SHEET 1)

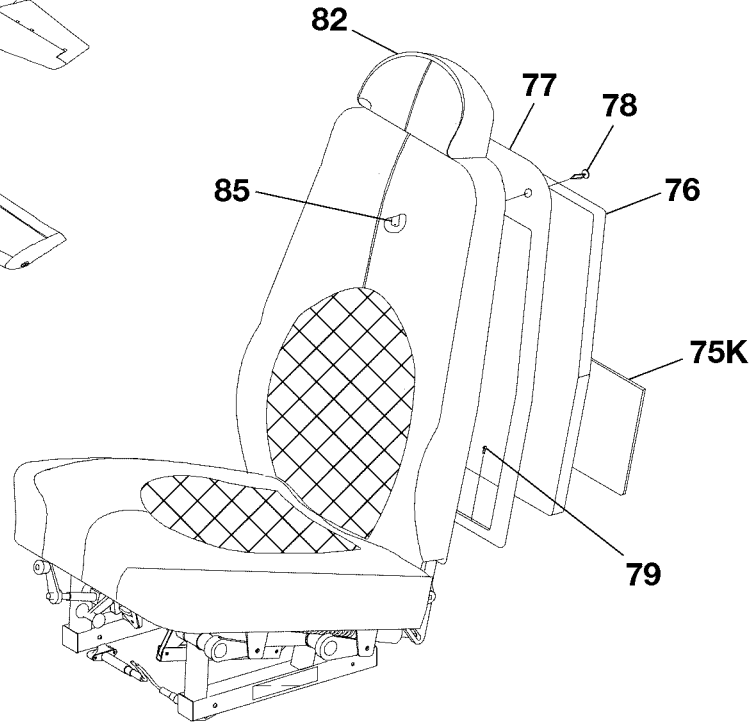
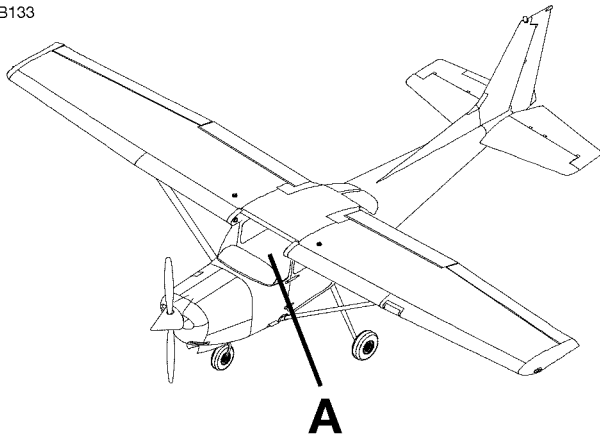
0510T1007
A0519T1007
A0519T1045

CESSNA AIRCRAFT COMPANY MODEL 172 (SERIES 1996 AND ON) ILLUSTRATED PARTS CATALOG

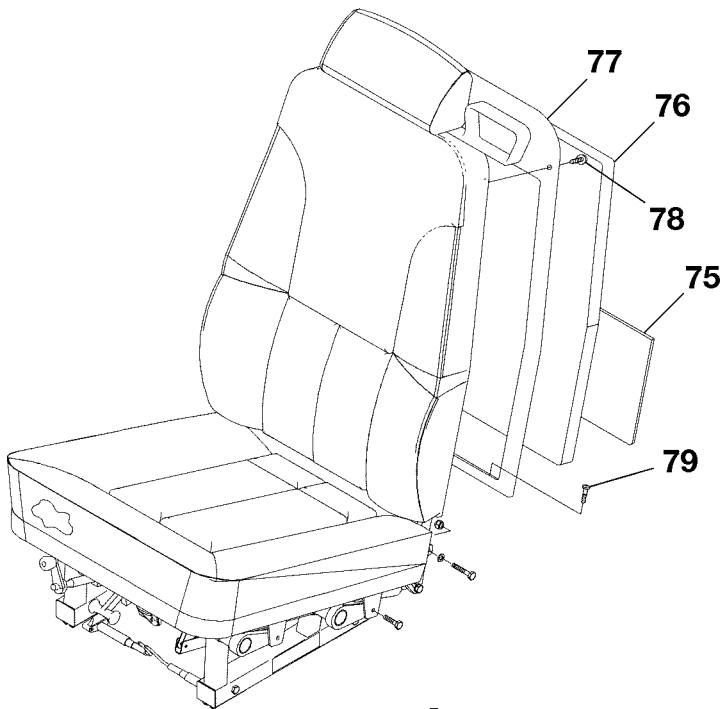
FIG ITEM	PART NUMBER	NOMENCLATURE	UNITS	
			PER	ASSY
01		SEAT INSTALLATION - PILOT AND COPILOT		RF
-		. SEAT UPHOLSTERY ASSY FABRIC-PILOT 172	80001	80983 01
- 1	0514212-1	. SEAT UPHOLSTERY ASSY FABRIC-PILOT 172S	08001	08703 01
- 1A	0514212-1	. SEAT UPHOLSTERY ASSY FABRIC-COPILOT 172	80001	80983 01
- 1B	0514212-2	. SEAT UPHOLSTERY ASSY FABRIC-COPILOT 172S	08001	08703 01
- 1C	0514212-2	. SEAT UPHOLSTERY ASSY FABRIC-PILOT 172	80984	81200 01
- 1D	0519022-1	. SEAT UPHOLSTERY ASSY FABRIC-COPILOT 172	80984	81200 01
- 1E	0519022-2	. SEAT UPHOLSTERY ASSY FABRIC-PILOT 172	81201	81272 01
- 2	0719077-1	. SEAT UPHOLSTERY ASSY FABRIC-COPILOT 172 FSO 0719113-1	81273	81340 NP
- 2A	0719103-1	. SEAT UPHOLSTERY ASSY FABRIC-PILOT 172	81341	81565 01
- 3	0719113-1	. SEAT UPHOLSTERY ASSY FABRIC-PILOT 172S	81566	& ON 01
- 3A	0719131-1	. SEAT UPHOLSTERY ASSY FABRIC-COPILOT 172	11532	& ON 01
- 3B	0719131-1	. SEAT UPHOLSTERY ASSY FABRIC-COPILOT 172S	81201	81272 01
- 4	0719077-2	. SEAT UPHOLSTERY ASSY FABRIC-COPILOT 172 FSO 0719113-2	81273	81340 NP
- 4A	0719103-2	. SEAT UPHOLSTERY ASSY FABRIC-PILOT 172	81341	81565 01
- 4B	0719113-2	. SEAT UPHOLSTERY ASSY FABRIC-COPILOT 172	81566	& ON 01
- 4C	0719131-2	. SEAT UPHOLSTERY ASSY FABRIC-COPILOT 172S	11532	& ON 01
- 4D	0719131-2	. SEAT UPHOLSTERY ASSY LEATHER-PILOT 172	80330	80799 01
- 5	0514212-23	. SEAT UPHOLSTERY ASSY LEATHER-PILOT 172S	08001	08261 01
- 5A	0514212-23	. SEAT UPHOLSTERY ASSY LEATHER-COPILOT 172	80330	80799 01
- 5B	0514212-24	. SEAT UPHOLSTERY ASSY LEATHER-COPILOT 172S	08001	08261 01
- 5C	0514212-24	. SEAT UPHOLSTERY ASSY LEATHER-PILOT 172	80800	80983 01
- 6	0514234-1	. SEAT UPHOLSTERY ASSY LEATHER-PILOT 172S	08262	08703 01
- 6A	0514234-1	. SEAT UPHOLSTERY ASSY LEATHER-COPILOT 172	80800	80983 01
- 6B	0514234-2	. SEAT UPHOLSTERY ASSY LEATHER-COPILOT 172S	08262	08703 01
- 6C	0514234-2	. SEAT UPHOLSTERY ASSY LEATHER-PILOT 172	80984	81200 01
- 7	0519026-1	. SEAT UPHOLSTERY ASSY LEATHER-PILOT 172S	08704	09568 01
- 7A	0519026-1	. SEAT UPHOLSTERY ASSY LEATHER-COPILOT 172	80984	81200 01
- 7B	0519026-2	. SEAT UPHOLSTERY ASSY LEATHER-COPILOT 172S	08704	09568 01
- 7C	0519026-2	. SEAT UPHOLSTERY ASSY LEATHER-PILOT 172	81201	81272 01
- 8	0719078-1	. SEAT UPHOLSTERY ASSY LEATHER-PILOT 172S	09569	10102 01
- 8A	0719078-1	. SEAT UPHOLSTERY ASSY LEATHER-COPILOT 172	81201	81272 01
- 9	0719078-2	. SEAT UPHOLSTERY ASSY LEATHER-COPILOT 172S	09569	10102 01
- 9A	0719078-2	. SEAT UPHOLSTERY ASSY MILLENNIUM-COPILOT 172	08372	08590 01
- 10	0514236-1	. SEAT UPHOLSTERY ASSY MILLENNIUM-COPILOT 172S	08372	08590 01
- 10A	0514236-2	. SEAT UPHOLSTERY ASSY LEATHER PILOT 172 FSO 0719114-1	81273	81340 NP
- 11	0719104-1	. SEAT UPHOLSTERY ASSY LEATHER PILOT 172S FSO 0719114-1	10103	10273 NP
- 11A	0719104-1	. SEAT UPHOLSTERY ASSY LEATHER PILOT 172	81341	81565 01
- 11B	0719114-1	. SEAT UPHOLSTERY ASSY LEATHER PILOT 172S	10274	11045 01
- 11C	0719114-1	. SEAT UPHOLSTERY ASSY LEATHER PILOT 172	81566	& ON 01
- 11D	0719130-1	. SEAT UPHOLSTERY ASSY LEATHER PILOT 172S	11046	11663 01 R
- 11E	0719130-1	. SEAT UPHOLSTERY ASSY LEATHER PILOT 172S	11664	& ON 01 R
- 11F	0719130-11	. SEAT UPHOLSTERY ASSY LEATHER COPILOT 172 FSO 0719114-2	81273	81340 NP
- 12	0719104-2	. SEAT UPHOLSTERY ASSY LEATHER COPILOT 172S FSO 0719114-2	10103	10273 NP
- 12A	0719104-2	. SEAT UPHOLSTERY ASSY LEATHER COPILOT 172	81341	81565 01
- 13	0719114-2	. SEAT UPHOLSTERY ASSY LEATHER COPILOT 172S	10274	11045 01
- 13A	0719114-2	. SEAT UPHOLSTERY ASSY LEATHER COPILOT 172	81566	& ON 01
- 13B	0719130-2	. SEAT UPHOLSTERY ASSY LEATHER COPILOT 172S	11046	& ON 01
- 13C	0719130-2	. SEAT UPHOLSTERY ASSY LEATHER COPILOT 172S	80330	80983 01
- 14	CJ1001-1	. HARNESS GUIDE 172	08001	08703 01
- 14A	CJ1001-1	. HARNESS GUIDE 172S		02
- 15	MS24694-C10	. SCREW HARNESS ATTACH		

CESSNA AIRCRAFT COMPANY
MODEL 172 (SERIES 1996 AND ON)
ILLUSTRATED PARTS CATALOG

B133



DETAIL A
VINYL/LEATHER
OPTIONS



DETAIL A

SEAT INSTALLATION - PILOT AND COPILOT
FIGURE 01 (SHEET 2)

0510T1007
A0519T1079
A0519T0136

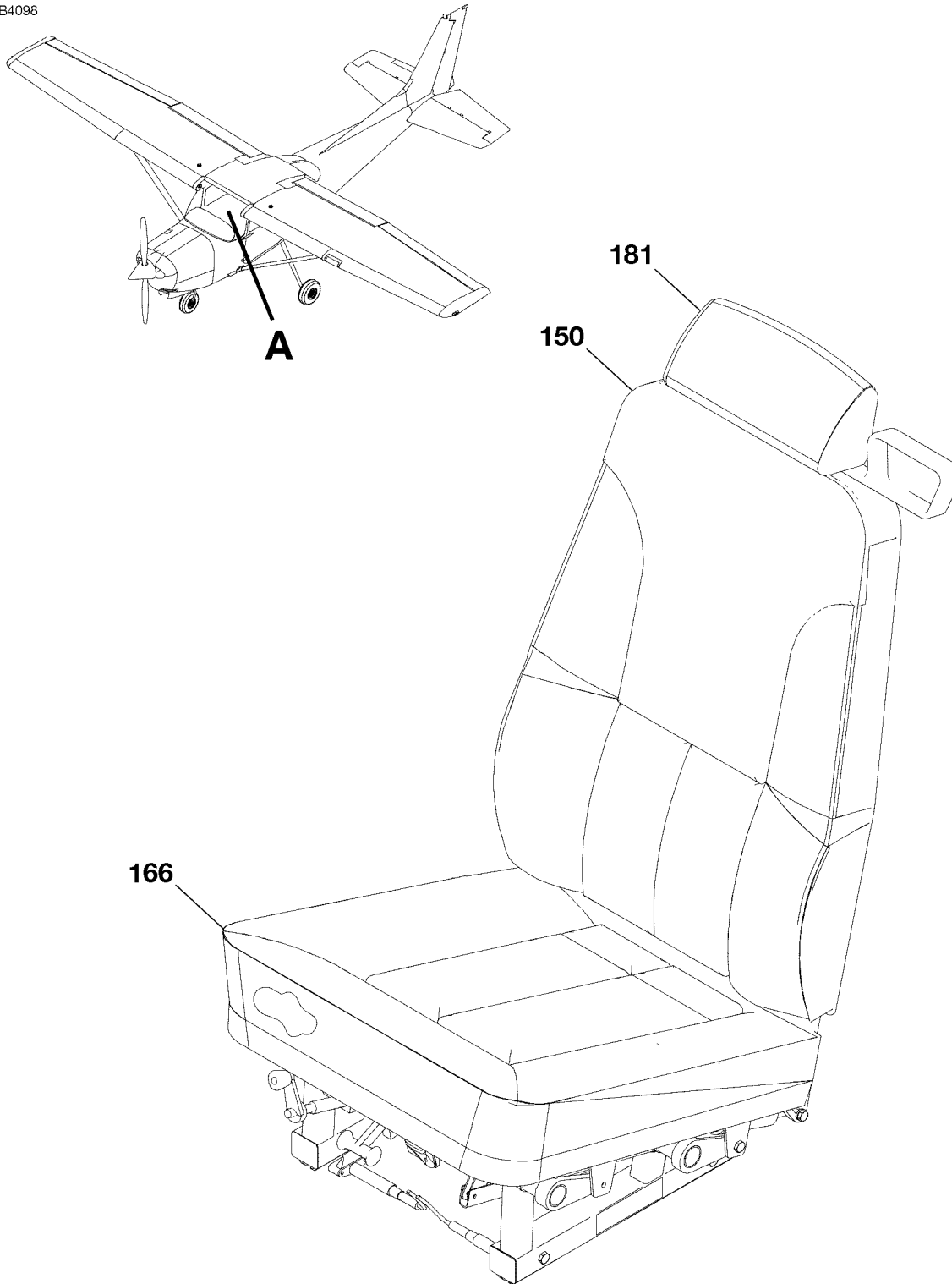
CESSNA AIRCRAFT COMPANY
MODEL 172 (SERIES 1996 AND ON)
ILLUSTRATED PARTS CATALOG

FIG ITEM	PART NUMBER	NOMENCLATURE	UNITS PER ASSY		
		1 2 3 4 5 6 7			
01					
75	0514212-19	POCKET UPHOLSTERY ASSY-FABRIC 172	80001	80983	01
- 75A	0514212-19	POCKET UPHOLSTERY ASSY-FABRIC 172S	08001	08703	01
- 75B	0519022-7	POCKET UPHOLSTERY ASSY-FABRIC 172	80984	81200	01
- 75C	0719077-8	POCKET UPHOLSTERY ASSY-FABRIC 172	81201	81272	01
- 75D	0719103-8	POCKET UPHOLSTERY ASSY-FABRIC 172	81273	81340	01
- 75E	0719113-8	POCKET UPHOLSTERY ASSY-FABRIC 172S	81341	& ON	01
- 75F	0514212-41	POCKET UPHOLSTERY ASSY-LEATHER 172	80330	80799	01
- 75G	0514212-41	POCKET UPHOLSTERY ASSY-LEATHER 172S	08001	08261	01
- 75H	0514234-19	POCKET UPHOLSTERY ASSY-LEATHER 172	80800	80983	01
- 75J	0514234-19	POCKET UPHOLSTERY ASSY-LEATHER 172S	08262	08703	01
75K	0519026-7	POCKET UPHOLSTERY ASSY-LEATHER 172	80984	81200	01
- 75L	0519026-7	POCKET UPHOLSTERY ASSY-LEATHER 172S	08704	09568	01
- 75M	0719078-8	POCKET UPHOLSTERY ASSY-LEATHER 172	81201	81272	01
- 75N	0719078-8	POCKET UPHOLSTERY ASSY-LEATHER 172S	09569	10102	01
- 75P	0719104-8	POCKET UPHOLSTERY ASSY-LEATHER 172	81273	81340	01
- 75Q	0719104-8	POCKET UPHOLSTERY ASSY-LEATHER 172S	10103	10273	01
- 75R	0719114-8	POCKET UPHOLSTERY ASSY-LEATHER 172S	10274	11045	01 R
- 75S	0719130-8	POCKET UPHOLSTERY ASSY-LEATHER 172	81341	& ON	01 R
- 75T	0719130-8	POCKET UPHOLSTERY ASSY-LEATHER 172S	11046	11663	01 R
- 75U	0719130-18	POCKET UPHOLSTERY ASSY-LEATHER 172S	11664	& ON	01 R
- 75V	0719113-8	POCKET UPHOLSTERY ASSY-FABRIC 172S	11532	& ON	01 R
76	0514212-17	PAN COVER ASSY-FABRIC 172	80001	80983	01
- 76A	0514212-17	PAN COVER ASSY-FABRIC 172S	08001	08703	01
- 76B	0519022-8	PAN COVER UPHOLSTERY ASSY-FABRIC & LEATHER 172	80984	81200	01
- 76C	0719077-9	PAN COVER UPHOLSTERY ASSY 172	81201	81272	01
- 76D	0719103-9	PAN COVER UPHOLSTERY ASSY 172	81273	81340	01
- 76E	0719113-9	PAN COVER UPHOLSTERY ASSY-FABRIC & LEATHER 172	81341	& ON	01
- 76F	0514212-39	PAN COVER ASSY-LEATHER 172	80330	80799	01
- 76G	0514212-39	PAN COVER ASSY-LEATHER 172S	08001	08261	01
- 76H	0719078-9	PAN COVER UPHOLSTERY ASSY-LEATHER 172	81201	81272	01
- 76J	0719078-9	PAN COVER UPHOLSTERY ASSY-LEATHER 172S	09569	10102	01
- 76K	0719104-9	PAN COVER UPHOLSTERY ASSY-LEATHER 172	81273	81340	01
- 76L	0719104-9	PAN COVER UPHOLSTERY ASSY-LEATHER 172S	10103	10273	01
- 76M	0719114-9	PAN COVER UPHOLSTERY ASSY-LEATHER 172S	10274	11045	01 R
- 76N	0719130-9	PAN COVER UPHOLSTERY ASSY-LEATHER 172	81341	& ON	01 R
- 76P	0719130-9	PAN COVER UPHOLSTERY ASSY-LEATHER 172S	11046	11663	01 R
- 76Q	0719130-19	PAN COVER UPHOLSTERY ASSY-LEATHER 172S	11664	& ON	01 R
- 76R	0719113-9	PAN COVER UPHOLSTERY ASSY-FABRIC 172S	11532	& ON	01 R
77	0514217-1	COVER 172			01
- 77A	0514217-1	COVER 172S			01
- 77B	0514212-15	COVER UPHOLSTERY ASSY 172	80001	80983	01
- 77C	0514212-15	COVER UPHOLSTERY ASSY 172S	08001	08703	01
- 77D	0514212-37	COVER UPHOLSTERY ASSY-LEATHER 172	80330	80799	01
- 77E	0514212-37	COVER UPHOLSTERY ASSY-LEATHER 172S	08001	08261	01
- 77F	0514217-1	COVER			01
78	S1898-2	FASTENER			AR
79	S1021Z4-6	SCREW 172	80001	81200	02
- 79A	S1021Z4-6	SCREW 172S	08001	09568	02
- 80	S3928-4-10P	SCREW	81201	& ON	04
- 80A	S3928-4-10P	SCREW	09569	& ON	04
- 80B	S3928-4-10AB	SCREW	81341	81565	04
- 80C	S3928-4-10X	SCREW 172	81566	& ON	04
- 80D	S3928-4-10X	SCREW 172S	11532	& ON	04
- 81		DELETED-NOT USED			
82	0514212-33	HEADREST UPHOLSTERY ASSY LEATHER 172	80990	80799	01
- 82A	0514212-33	HEADREST UPHOLSTERY ASSY LEATHER 172S	08001	08261	01
- 82B	0514234-13	HEADREST UPHOLSTERY ASSY LEATHER 172	80800	80983	01
- 82C	0514234-13	HEADREST UPHOLSTERY ASSY LEATHER 172S	08262	08703	01
- 83	0514224-1	HEADREST ASSY LEATHER 172	80800	80983	01
- 83A	0514224-1	HEADREST ASSY LEATHER 172S	08262	08703	01
- 83B	122366-3	HEADREST CUSHION LEATHER 172	80800	80983	01
- 83C	122366-3	HEADREST CUSHION LEATHER 172S	08262	08703	01
- 84	0519026-6	HEADREST UPHOLSTERY ASSEY LEATHER FSO 0519026-15 172	80984	81089	NP
- 84A	0519026-6	HEADREST UPHOLSTERY ASSEY LEATHER FSO 0519026-15 172S	08704	08954	NP
- 84B	0519026-15	HEADREST UPHOLSTERY ASSEY LEATHER 172	81090	81200	01
- 84C	0519026-15	HEADREST UPHOLSTERY ASSEY LEATHER 172S	08955	09568	01
- 84D	0719078-3	HEADREST UPHOLSTERY ASSEY LEATHER 172	81201	81272	01
- 84E	0719078-3	HEADREST UPHOLSTERY ASSEY LEATHER 172S	09569	10102	01
- 84F	0719104-3	HEADREST UPHOLSTERY ASSEY LEATHER 172 FSO 0719114-3	81273	81340	NP
- 84G	0719104-3	HEADREST UPHOLSTERY ASSEY LEATHER 172S FSO 0719114-3	10103	10273	NP
- 84H	0719114-3	HEADREST UPHOLSTERY ASSEY LEATHER 172	81341	& ON	01
- 84J	0719114-3	HEADREST UPHOLSTERY ASSEY LEATHER 172S	10274	& ON	01
85	MS24665-285	COTTER PIN HEADREST ATTACH			01

- ITEM NOT ILLUSTRATED

CESSNA AIRCRAFT COMPANY
MODEL 172 (SERIES 1996 AND ON)
ILLUSTRATED PARTS CATALOG

B4098



DETAIL A

SEAT INSTALLATION - PILOT AND COPILOT
FIGURE 01 (SHEET 3)

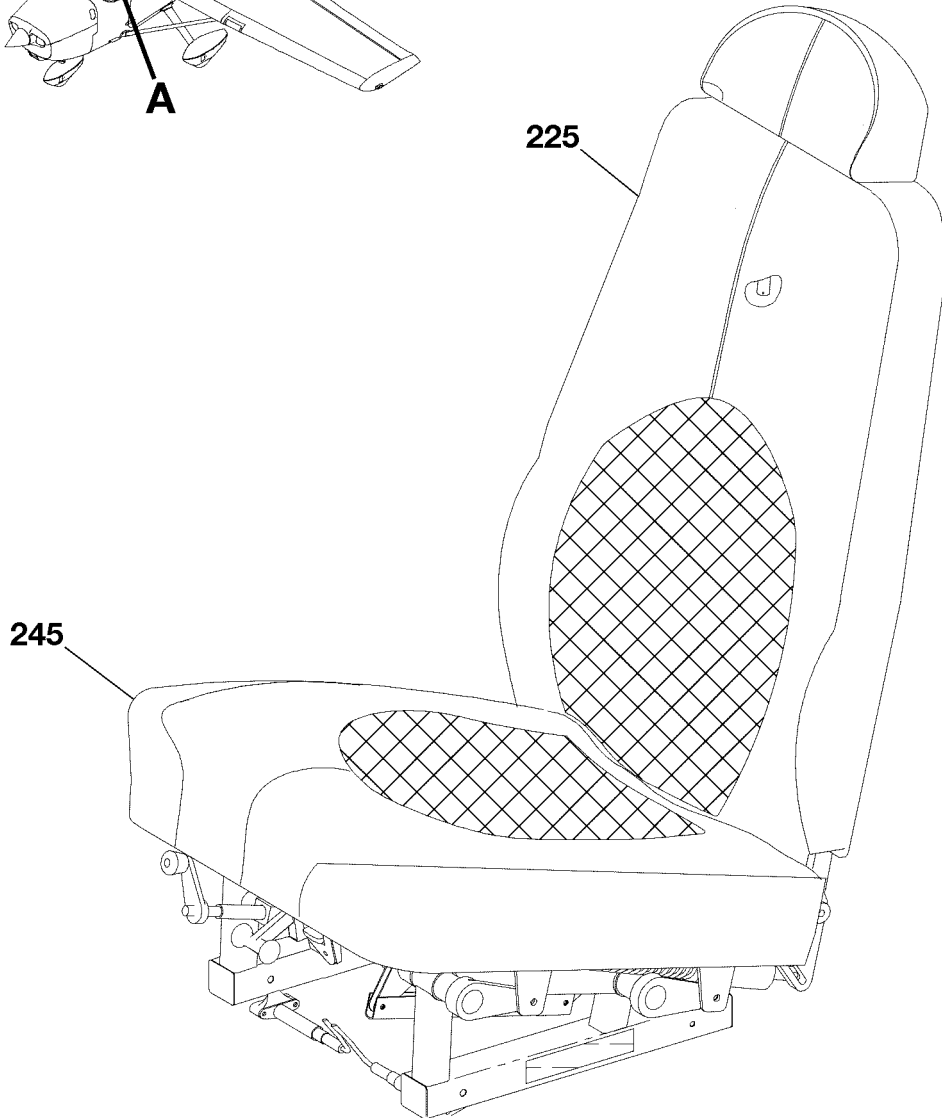
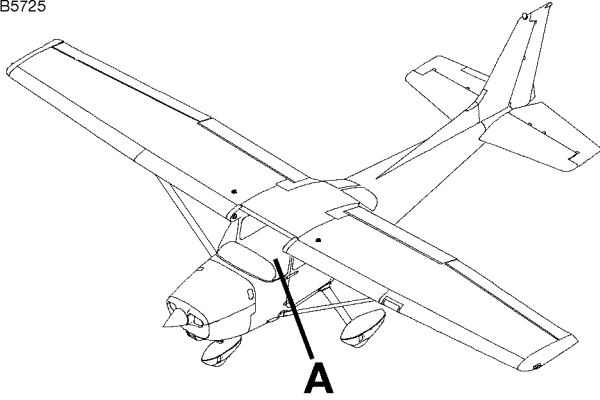
0510T1007
A0519T1045

**CESSNA AIRCRAFT COMPANY
MODEL 172 (SERIES 1996 AND ON)
ILLUSTRATED PARTS CATALOG**

FIG ITEM	PART NUMBER	NOMENCLATURE	UNITS	
			PER	ASSY
01				
150	0514212-11	.. SEAT BACK UPHOLSTERY 172	80001	80983 01
- 151	0514212-11	.. SEAT BACK UPHOLSTERY 172S	08001	08703 01
- 152	0519022-5	.. SEAT BACK UPHOLSTERY FSO 0519022-22 172	80984	81089 NP
- 153	0519022-22	.. SEAT BACK UPHOLSTERY 172	81090	81200 01
- 154	0719077-7	.. SEAT BACK UPHOLSTERY 172	81201	81272 01
- 155	0719103-7	.. SEAT BACK UPHOLSTERY FSO 0719113-7 172	81273	81340 NP
- 155A	0719113-7	.. SEAT BACK UPHOLSTERY 172	81341	81565 01
- 156	0719131-6	.. SEAT BACK UPHOLSTERY 172	81566	& ON 01
- 157	0719131-6	.. SEAT BACK UPHOLSTERY 172S	11532	& ON 01
- 158	0519000-201	.. SEAT BACK UPHOLSTERY WITH NO FRAME 172	80001	80983 01
- 159	0519000-201	.. SEAT BACK UPHOLSTERY WITH NO FRAME 172S	08001	08703 01
- 160	0519000-208	.. SEAT BACK UPHOLSTERY WITH NO FRAME 172	80984	81200 01
- 161	0519000-208	.. SEAT BACK UPHOLSTERY WITH NO FRAME 172S	08704	09568 01
- 162	0519000-212	.. SEAT BACK UPHOLSTERY WITH NO FRAME 172	81201	81272 01
- 163	0519000-212	.. SEAT BACK UPHOLSTERY WITH NO FRAME 172S	09569	10102 01
- 164	0519000-218	.. SEAT BACK UPHOLSTERY WITH NO FRAME 172 FSO 0519000-212	81273	81340 NP
- 164A	0519000-212	.. SEAT BACK UPHOLSTERY WITH NO FRAME 172	81341	& ON 01
- 165	0519000-218	.. SEAT BACK UPHOLSTERY WITH NO FRAME 172S FSO 0519000-212	10103	10273 NP
- 165A	0519000-212	.. SEAT BACK UPHOLSTERY WITH NO FRAME 172S	10274	& ON 01
166	0514212-7	.. SEAT BASE UPHOLSTERY PILOT 172	80001	80983 01
- 167	0514212-7	.. SEAT BASE UPHOLSTERY PILOT 172S	08001	08703 01
- 168	0514212-8	.. SEAT BASE UPHOLSTERY COPILOT 172	80001	80983 01
- 169	0514212-8	.. SEAT BASE UPHOLSTERY COPILOT 172S	08001	08703 01
- 170	0519022-3	.. SEAT BASE UPHOLSTERY PILOT FSO 0519022-21 172	80984	81089 NP
- 171	0519022-21	.. SEAT BASE UPHOLSTERY PILOT 172	81090	81200 01
- 172	0519022-4	.. SEAT BASE UPHOLSTERY COPILOT FSO 0519022-20 172	80984	81089 01
- 173	0519022-20	.. SEAT BASE UPHOLSTERY COPILOT 172	81090	81200 01
- 174	0719077-5	.. SEAT BASE UPHOLSTERY PILOT 172	81201	81272 01
- 175	0719077-6	.. SEAT BASE UPHOLSTERY COPILOT 172	81201	81272 01
- 176	0719103-5	.. SEAT BASE UPHOLSTERY PILOT 172	81273	81340 NP
- 177	0719103-6	.. SEAT BASE UPHOLSTERY COPILOT 172	81273	81340 01
- 178	0719113-5	.. SEAT BASE UPHOLSTERY PILOT 172	81341	81565 01
- 178A	0719131-4	.. SEAT BASE UPHOLSTERY PILOT 172	81566	& ON 01
- 178B	0719131-4	.. SEAT BASE UPHOLSTERY PILOT 172S	11532	& ON 01
- 179	0719113-6	.. SEAT BASE UPHOLSTERY COPILOT 172	81341	81565 01
- 179A	0719131-5	.. SEAT BASE UPHOLSTERY COPILOT 172	81566	& ON 01
- 179B	0719131-5	.. SEAT BASE UPHOLSTERY COPILOT 172S	11532	& ON 01
- 180	0719103-11	.. STRAP FSO 0719113-11		NP
- 180A	0719113-11	.. STRAP		02
181	0514212-13	.. HEADREST UPHOLSTERY ASSY FABRIC 172	80001	80983 01
- 181A	0514212-13	.. HEADREST UPHOLSTERY ASSY FABRIC 172S	08001	08703 01
- 181B	0519022-6	.. HEADREST UPHOLSTERY ASSY FABRIC FSO 0519022-24 172	80984	81089 NP
- 181C	0519022-24	.. HEADREST UPHOLSTERY ASSY FABRIC 172	81090	81200 01
- 181D	0719077-3	.. HEADREST UPHOLSTERY ASSY FABRIC 172	81201	81272 01
- 181E	0719103-3	.. HEADREST UPHOLSTERY ASSY FABRIC FSO 0719113-3 172	81273	81340 NP
- 181F	0719113-3	.. HEADREST UPHOLSTERY ASSY FABRIC 172	81341	81565 01
- 181G	0719131-3	.. HEADREST UPHOLSTERY ASSY FABRIC 172	81566	& ON 01
- 181H	0719131-3	.. HEADREST UPHOLSTERY ASSY FABRIC 172S	11532	& ON 01

CESSNA AIRCRAFT COMPANY
MODEL 172 (SERIES 1996 AND ON)
ILLUSTRATED PARTS CATALOG

B5725



DETAIL A
VINYL/LEATHER
OPTIONS

SEAT INSTALLATION - PILOT AND COPILOT
FIGURE 01 (SHEET 4)

0510T1007
A0519T1079

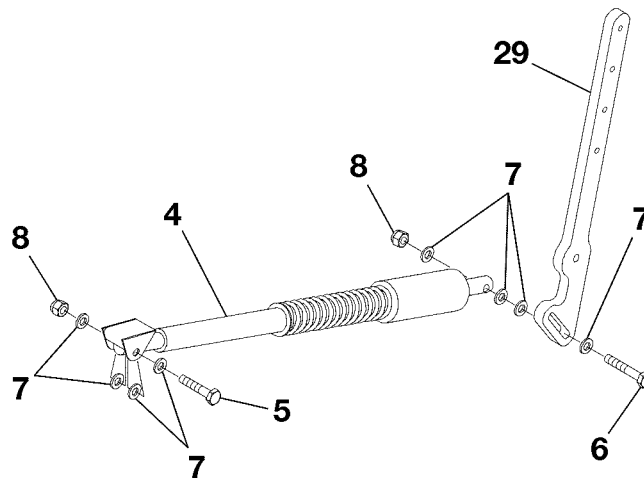
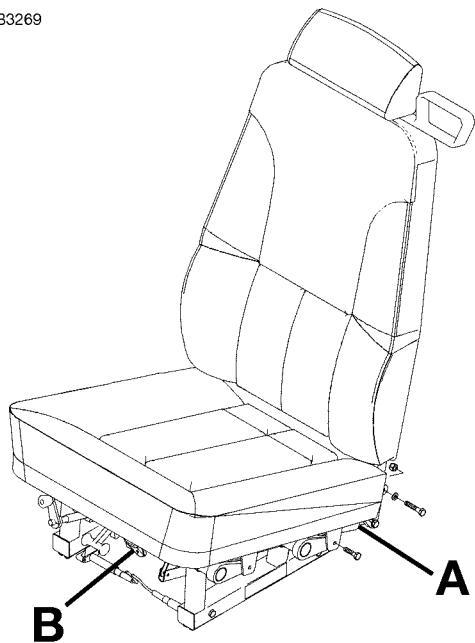
CESSNA AIRCRAFT COMPANY MODEL 172 (SERIES 1996 AND ON) ILLUSTRATED PARTS CATALOG

FIG ITEM	PART NUMBER	NOMENCLATURE	UNITS PER ASSY
	1 2 3 4 5 6 7		
01			
225	0514212-31	.. SEAT BACK UPHOLSTERY-LEATHER 172	80330 80799 01
- 226	0514212-31	.. SEAT BACK UPHOLSTERY-LEATHER 172S	08001 08261 01
- 227	0519000-202	.. SEAT BACK UPHOLSTERY-LEATHER WITH NO FRAME 172	80001 80983 01
- 228	0519000-202	.. SEAT BACK UPHOLSTERY-LEATHER WITH NO FRAME 172S	08001 08703 01
- 229	0514234-11	.. SEAT BACK UPHOLSTERY-LEATHER 172	80800 80983 01
- 230	0514234-11	.. SEAT BACK UPHOLSTERY-LEATHER 172S	08262 08703 01
- 231	0519026-5	.. SEAT BACK UPHOLSTERY-LEATHER FSO 0519026-14 172	80984 81089 NP
- 232	0519026-5	.. SEAT BACK UPHOLSTERY-LEATHER FSO 0519026-14 172S	08704 08954 NP
- 233	0519026-14	.. SEAT BACK UPHOLSTERY-LEATHER 172	81090 81200 01
- 234	0519026-14	.. SEAT BACK UPHOLSTERY-LEATHER 172S	08955 09568 01
- 235	0719078-7	.. SEAT BACK UPHOLSTERY-LEATHER 172	81201 81272 01
- 236	0719078-7	.. SEAT BACK UPHOLSTERY-LEATHER 172S	09569 10102 01
- 237	0719104-7	.. SEAT BACK UPHOLSTERY-LEATHER 172 FSO 071914-7	81273 81340 NP
- 237A	0719114-7	.. SEAT BACK UPHOLSTERY-LEATHER 172	81341 & ON 01
- 238	0719104-7	.. SEAT BACK UPHOLSTERY-LEATHER 172S FSO 071914-7	10103 10273 NP
- 238A	0719114-7	.. SEAT BACK UPHOLSTERY-LEATHER 172S	10274 & ON 01
- 239	0519000-209	.. SEAT BACK UPHOLSTERY-LEATHER WITH NO FRAME 172	80984 81200 01
- 240	0519000-209	.. SEAT BACK UPHOLSTERY-LEATHER WITH NO FRAME 172S	08704 09568 01
- 241	0519000-213	.. SEAT BACK UPHOLSTERY-LEATHER WITH NO FRAME 172	81201 81272 01
- 242	0519000-213	.. SEAT BACK UPHOLSTERY-LEATHER WITH NO FRAME 172S	09569 10102 01
- 243	0519000-219	.. SEAT BACK UPHOLSTERY-LEATHER WITH NO FRAME 172 FSO	81273 81340 NP
- 243A	0519000-217	.. SEAT BACK UPHOLSTERY-LEATHER WITH NO FRAME 172	81273 81340 01
- 244	0519000-219	.. SEAT BACK UPHOLSTERY-LEATHER WITH NO FRAME 172S FSO	10103 10273 NP
- 244A	0519000-217	.. SEAT BACK UPHOLSTERY-LEATHER WITH NO FRAME 172S	10103 10273 01
245	0719077-6	.. SEAT BASE UPHOLSTERY-LEATHER COPILOT 172	81201 81272 01
- 246	0719103-6	.. SEAT BASE UPHOLSTERY-LEATHER COPILOT 172 FSO 0719113-6	81273 81340 NP
- 246A	0719113-6	.. SEAT BASE UPHOLSTERY-LEATHER COPILOT 172	81341 & ON 01
- 247	0719103-11	.. STRAP FSO 0719113-11	NP
- 247A	0719113-11	.. STRAP	02
- 248	0514212-35	.. SEAT BASE UPHOLSTERY-LEATHER PILOT 172	80330 80799 01
- 249	0514212-35	.. SEAT BASE UPHOLSTERY-LEATHER PILOT 172S	08001 08261 01
- 250	0514212-36	.. SEAT BASE UPHOLSTERY-LEATHER COPILOT 172	80330 80799 01
- 251	0514212-36	.. SEAT BASE UPHOLSTERY-LEATHER COPILOT 172S	08001 08261 01
- 252	0514234-7	.. SEAT BASE UPHOLSTERY-LEATHER PILOT 172	80800 80983 01
- 253	0514234-7	.. SEAT BASE UPHOLSTERY-LEATHER PILOT 172S	08262 08703 01
- 254	0514234-8	.. SEAT BASE UPHOLSTERY-LEATHER COPILOT 172	80800 80983 01
- 255	0514234-8	.. SEAT BASE UPHOLSTERY-LEATHER COPILOT 172S	08262 08703 01
- 256	0519026-3	.. SEAT BASE UPHOLSTERY-LEATHER PILOT FSO 0519026-13 172	80984 81089 NP
- 257	0519026-3	.. SEAT BASE UPHOLSTERY-LEATHER PILOT FSO 0519026-13 172S	08704 08954 NP
- 258	0519026-13	.. SEAT BASE UPHOLSTERY-LEATHER PILOT 172	87090 81200 01
- 259	0519026-13	.. SEAT BASE UPHOLSTERY-LEATHER PILOT 172S	08955 09568 01
- 260	0519026-4	.. SEAT BASE UPHOLSTERY-LEATHER COPILOT FSO 0519026-12 172	80984 81089 NP
- 261	0519026-4	.. SEAT BASE UPHOLSTERY-LEATHER COPILOT FSO 0519026-12 172S	08704 08954 NP
- 262	0519026-12	.. SEAT BASE UPHOLSTERY-LEATHER COPILOT 172	87090 81200 01
- 263	0519026-12	.. SEAT BASE UPHOLSTERY-LEATHER COPILOT 172S	08955 09568 01
- 264	0719078-5	.. SEAT BASE UPHOLSTERY-LEATHER PILOT 172	81201 81272 01
- 265	0719078-5	.. SEAT BASE UPHOLSTERY-LEATHER PILOT 172S	09569 10102 01
- 266	0719104-5	.. SEAT BASE UPHOLSTERY-LEATHER PILOT 172 FSO 0719114-5	81273 81340 NP
- 266A	0719114-5	.. SEAT BASE UPHOLSTERY-LEATHER PILOT 172	81341 & ON 01
- 267	0719104-5	.. SEAT BASE UPHOLSTERY-LEATHER PILOT 172S FSO 0719114-5	10103 10273 NP
- 267A	0719114-5	.. SEAT BASE UPHOLSTERY-LEATHER PILOT 172S	10274 & ON 01
- 267B	0719103-11	.. STRAP FSO 0719113-11	NP
- 267C	0719113-11	.. STRAP	02
- 268	0719078-6	.. SEAT BASE UPHOLSTERY-LEATHER COPILOT 172	81201 81272 01
- 269	0719078-6	.. SEAT BASE UPHOLSTERY-LEATHER COPILOT 172S	09569 10102 01
- 270	0719104-6	.. SEAT BASE UPHOLSTERY-LEATHER COPILOT 172 FSO 0719114-6	81273 81340 NP
- 270A	0719114-6	.. SEAT BASE UPHOLSTERY-LEATHER COPILOT 172	81341 & ON 01
- 271	0719104-6	.. SEAT BASE UPHOLSTERY-LEATHER COPILOT 172S FSO 0719114-6	10103 10273 NP
- 271A	0719114-6	.. SEAT BASE UPHOLSTERY-LEATHER COPILOT 172S	10273 & ON 01
- 271B	0719103-11	.. STRAP FSO 0719113-11	NP
- 271C	0719113-11	.. STRAP	02
- 272	0519000-212	.. SEAT BACK UPOL A-PLT/CO 172 FSO 0519000-218	81201 81272 01
- 272A	0519000-218	.. SEAT BACK UPOL A-PLT/CO 172	81273 81340 01
- 273	0519000-212	.. SEAT BACK UPOL A-PLT/CO 172S FSO 0519000-218	09569 10102 01
- 273A	0519000-218	.. SEAT BACK UPOL A-PLT/CO 172S	10103 10273 01
- 274	0519000-221	.. SEAT BACK UPOL A-PLT/CO 172	81341 & ON 01
- 275	0519000-221	.. SEAT BACK UPOL A-PLT/CO 172S	10274 & ON 01
- 276	0519000-222	.. SEAT BACK UPOL A-LTHR 172S	10274 & ON 01

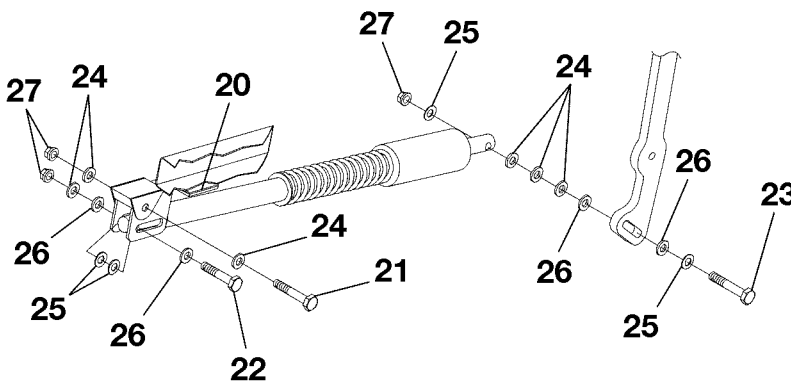
- ITEM NOT ILLUSTRATED

CESSNA AIRCRAFT COMPANY
MODEL 172 (SERIES 1996 AND ON)
 ILLUSTRATED PARTS CATALOG

B3269

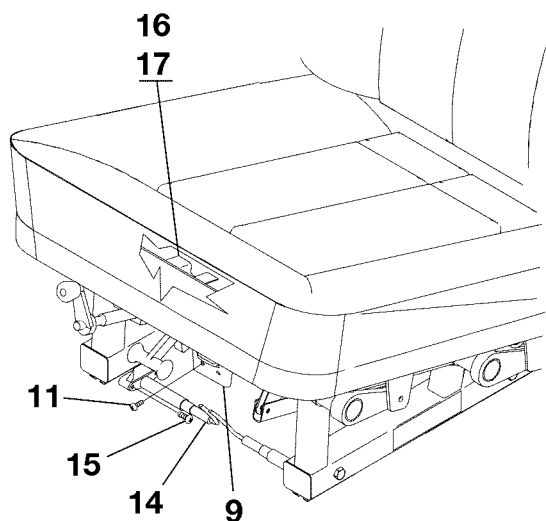


DETAIL A



DETAIL A

AIRPLANES 17280001 THRU 17281140 AND
 AIRPLANES 172S8001 THRU 172S9286
 INCORPORATING MK172-25-07



DETAIL B

SEAT ASSEMBLY - PILOT AND COPILOT
 FIGURE 02 (SHEET 1)

0519T1036
 A0519T1037
 A0519T1089
 B0519T1036

CESSNA AIRCRAFT COMPANY

MODEL 172 (SERIES 1996 AND ON)

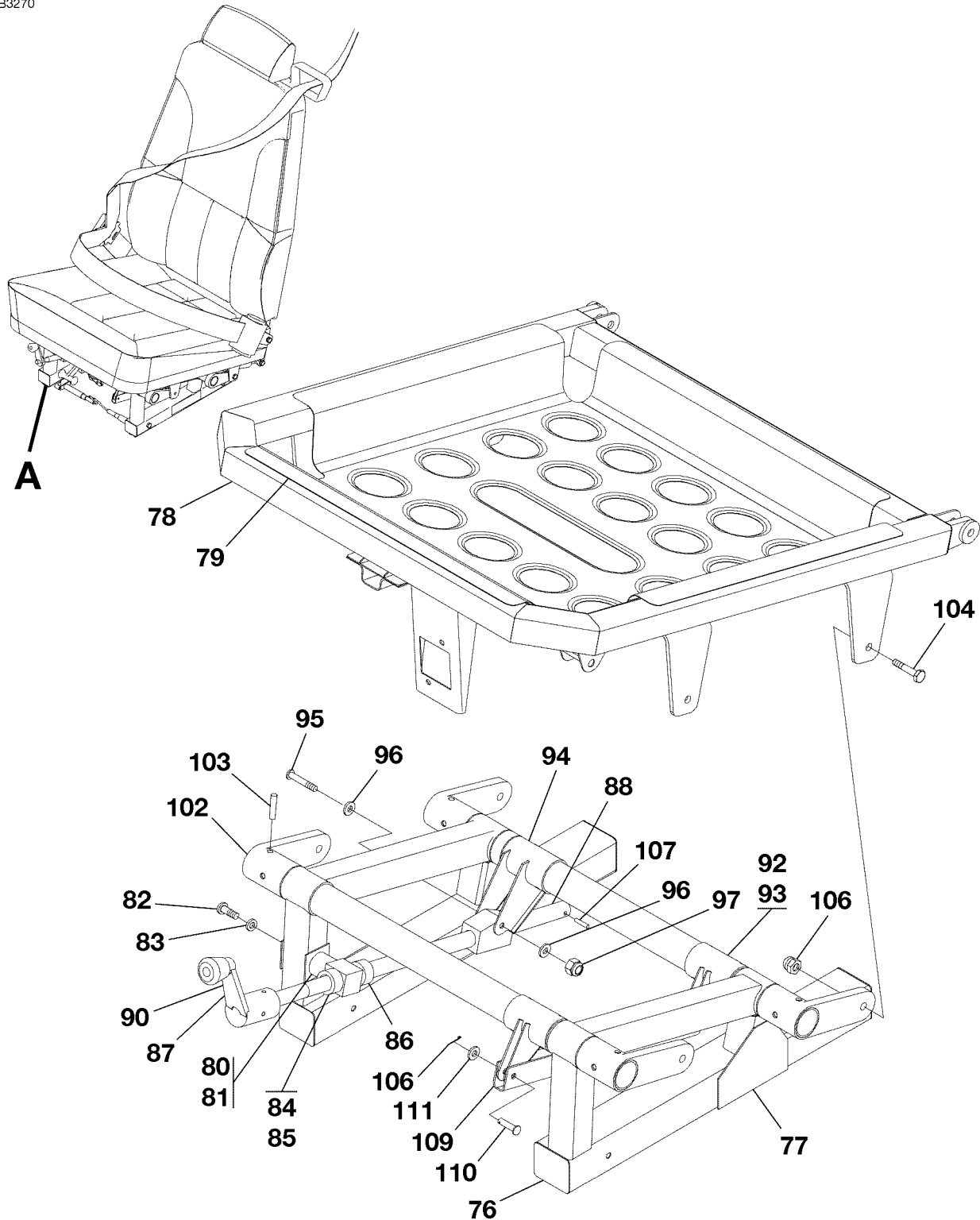
ILLUSTRATED PARTS CATALOG

FIG ITEM	PART NUMBER	NOMENCLATURE	UNITS PER ASSY		
			1	2	3
02		SEAT ASSEMBLY - PILOT AND COPILOT	80001	81140	RF
-			08001	09286	
- 1		. SEAT UPHOLSTERY ASSY REFER TO 25-10-00 FIGURE 01			RF
- 2	0514213-1	. . SEAT FRAME ASSY 172	80001	81140	01
- 3	0514213-1	. . SEAT FRAME ASSY 172S	08001	09286	01
4	C165031-0101	. . . CYLINDER LOCK 172	80001	80830	01
- 4A	C165031-0101	. . . CYLINDER LOCK 172S	08001	08347	01
- 4B	0514213-2	. . . CYLINDER LOCK ASSY 172	80831	81140	01
- 4C	0514213-2	. . . CYLINDER LOCK ASSY 172S	08348	09286	01
		ATTACHING PARTS			
5	AN4-12A	. . . BOLT-FWD LOCK ASSY			01
6	AN4-14A	. . . BOLT-AFT LOCK ASSY			01
7	NAS1149F0463P	. . . WASHER-LOCK ASSY			08
8	MS21044N4	. . . NUT-LOCK ASSY			02
		—*—			
9	MC5794-24	. . . CONTROL			01
		ATTACHING PARTS			
- 10	MS21042L08	. . . NUT-CONTROL			02
11	MS35202-41	. . . SCREW-CONTROL			02
		—*—			
- 12	MM20-1057	. . . LOCK			01
- 13	MS16633-1021	. . . RING			01
14	1611021-01R	. . . CONTROL ASSY 172 FSO SPL1925-1 V45402	80001	80719	NP
- 14A	1611021-01R	. . . CONTROL ASSY 172S FSO SPL1925-1 V45402	08001	08184	NP
- 14B	1611021-05	. . . CONTROL ASSY 172 FSO SPL1925-1 V45402	80720	81097	NP
- 14C	1611021-05	. . . CONTROL ASSY 172S FSO SPL1925-1 V45402	08185	09056	NP
- 14D	1611021-07	. . . CONTROL ASSY 172 FSO SPL1925-1 V45402	81098	81199	NP
- 14E	1611021-07	. . . CONTROL ASSY 172S FSO SPL1925-1 V45402	09057	09567	NP
- 14F	SPL1925-1	. . . CONTROL ASSY 172	V1XE65	81200	& ON 01
- 14G	SPL1925-1	. . . CONTROL ASSY 172S	V1XE65	09568	& ON 01
		ATTACHING PARTS			
15	MS35207-259	. . . SCREW			02
		—*—			
16	1214192-35	. . . CLIP			01
17	MS35206-244	. . . SCREW			06
- 18	1214192-37	. . . SKIRT			01
- 19	0790007-4	. . . HYDROLOK SLIP FITTING REFER TO NOTE 1			01
20	0790007-5	. . . SHIM REFER TO NOTE 1			01
21	AN4-13A	. . . BOLT REFER TO NOTE 1			01
22	AN4-12A	. . . BOLT REFER TO NOTE 1			01
23	NAS6604-17	. . . BOLT REFER TO NOTE 1			01
24	NAS1149F0463P	. . . WASHER REFER TO NOTE 1			06
25	NAS1149F0432P	. . . WASHER REFER TO NOTE 1			04
26	S1438-17	. . . WASHER REFER TO NOTE 1			04
27	MS21042-4	. . . NUT REFER TO NOTE 1			03
- 28	0514215-1	. . . SEAT BACK ASSY 172 FSO 0514215-15	80001	80830	NP
- 28A	0514215-1	. . . SEAT BACK ASSY 172S FSO 0514215-15	08001	08347	NP
- 28B	0514215-15	. . . SEAT BACK ASSY 172 FSO 0719057-3	80831	81140	01
- 28C	0514215-15	. . . SEAT BACK ASSY 172S FSO 0719057-3	08348	09286	01
29	0514215-8	. . . FITTING-LH 172	80001	80830	01 R
- 29A	0514215-8	. . . FITTING-LH 172S	08001	08347	01 R
- 29B	0514215-16	. . . FITTING-LH 172	80831	81140	01 R
- 29C	0514215-16	. . . FITTING-LH 172S	08348	09286	01 R
- 30	0514215-9	. . . FITTING-RH			01
- 31	0812811-1	. . . SPRING			02
- 32	0514217-7	. . . CLIP			06

NOTE 1—AIRPLANES 17280001 THRU 17281140 AND AIRPLANES 172S8001 THRU 172S9286 INCORPORATING MK172-25-07.

CESSNA AIRCRAFT COMPANY
MODEL 172 (SERIES 1996 AND ON)
ILLUSTRATED PARTS CATALOG

B3270



DETAIL A

SEAT ASSEMBLY - PILOT AND COPILOT
FIGURE 02 (SHEET 2)

0519T1045
A0519T1102

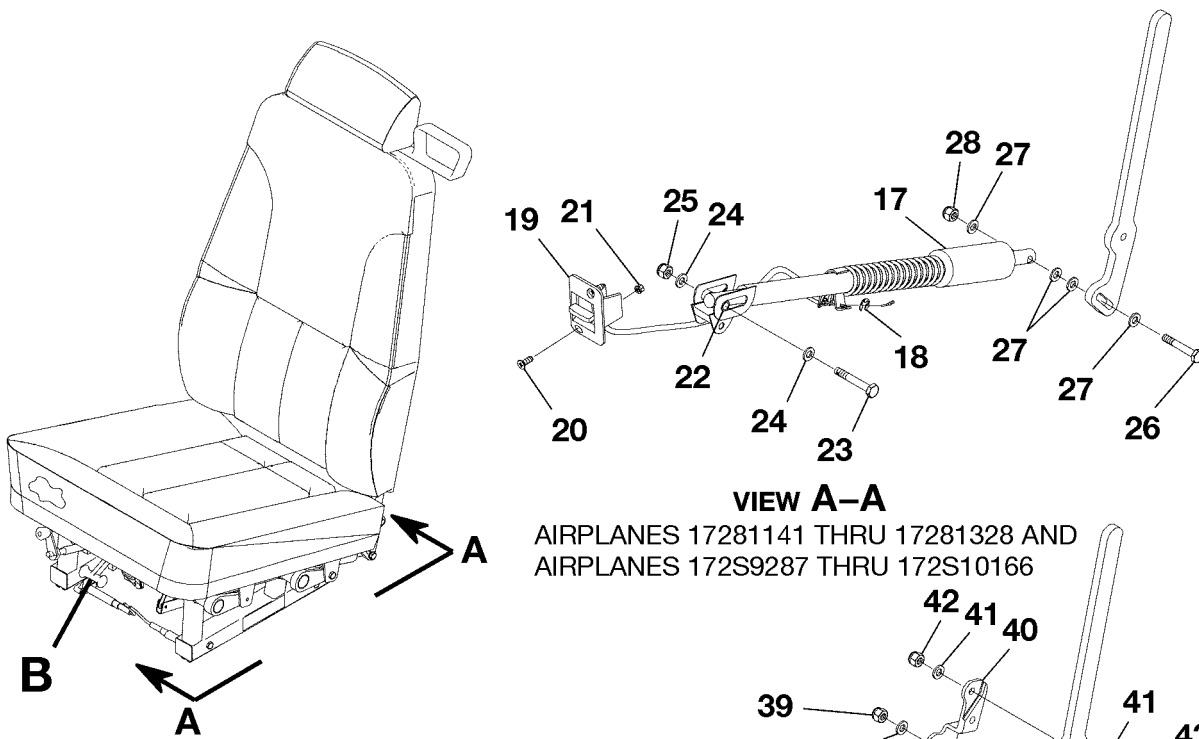
CESSNA AIRCRAFT COMPANY
MODEL 172 (SERIES 1996 AND ON)
ILLUSTRATED PARTS CATALOG

FIG ITEM	PART NUMBER	NOMENCLATURE	UNITS	
			PER	ASSY
		1 2 3 4 5 6 7		
02				
- 75	0514214-1	SEAT BASE ASSY		01
76	0514214-28	BASE ASSY-RH		01
77	0514214-27	BASE ASSY-LH		01
78	0514214-29	WELD ASSY-UPPER SEAT		01
79	0514227-13	SEAT PAN 172 FSO 0514227-19	80001	81328 NP
- 79A	0514227-13	SEAT PAN 172S FSO 0514227-19	08001	10166 NP
- 79B	0514227-19	SEAT PAN 172	81329	81140 01
- 79C	0514227-19	SEAT PAN 172S	10167	09286 01
80	0514226-8	BEARING BLOCK		01
		ATTACHING PARTS		
81	NAS1149F0616P	WASHER		01
		—*—		
82	MS35207-263	SCREW		01
83	NAS1149F0332P	WASHER		01
84	S2013-2	BEARING		01
85	S2014-2	RACE		02
86	1200138-2	COLLAR		02
87	0514226-3	HANDLE ASSY 172 FSO 0514226-14	80001	80329 NP
- 87A	0514226-13	HANDLE ASSY 172 FSO 0514226-14	80330	80888 NP
- 87B	0514226-13	HANDLE ASSY 172S FSO 0514226-14	08001	08418 NP
- 87C	0514226-14	HANDLE ASSY 172	80889	81140 01
- 87D	0514226-14	HANDLE ASSY 172S	08419	09286 01
88	0514226-10	SHAFT 172	80001	80329 01
- 88A	0514226-12	SHAFT 172	80330	81140 01
- 88B	0514226-12	SHAFT 172S	08001	09286 01
- 89	1200186-9	SCREW 172	80001	80329 01
90	0514121-12	HANDLE ASSY 172 FSO CJ1022	80001	80888 NP
- 90A	0514121-12	HANDLE ASSY 172S FSO CJ1022	08001	08418 NP
- 90B	CJ1022	HANDLE ASSY 172	80889	81140 01
- 90C	CJ1022	HANDLE ASSY 172S	08419	09286 01
		ATTACHING PARTS		
- 91	NAS561P4-10	PIN		02
- 91A	MS16562-35	PIN ALT FOR NAS561P4-10		02
		—*—		
92	0514028-5	BELLCRANK ASSY		02
		ATTACHING PARTS		
93	NAS561P6-20	PIN		04
- 93A	MS16562-51	PIN ALT FOR NAS561P6-20		04
		—*—		
94	0514028-6	BELLCRANK ASSY		01
		ATTACHING PARTS		
95	AN4-15A	BOLT		02
96	NAS1149F0463P	WASHER		04
97	MS21044N4	NUT		02
		—*—		
- 98	0514037-3	NUT		01
- 99	MS20392-2C31	PIN		01
- 100	NAS1149F0332P	WASHER		01
- 101	MS24665-136	COTTER PIN		01
102	0514214-33	BELLCRANK		04
		ATTACHING PARTS		
103	NAS561P6-18	PIN		08
104	AN4-7A	BOLT		04
- 105	MS24694-S101	SCREW		04
106	MS21044N4	NUT		04
		—*—		
107	NAS561P4-10	PIN		01
- 108	0790007-2	NUT REFER TO NOTE 1		01
109	0514226-1	CHANNEL		02
		ATTACHING PARTS		
110	MS20392-2C17	PIN		02
111	NAS1149F0363P	WASHER		02
- 112	MS24665-132	COTTER PIN		02
		—*—		

NOTE 1—AIRPLANES 17280001 THRU 17281209 AND 17281211 THRU 17281220 AND AIRPLANES 172S08001 THRU 172S09286 INCORPORATING SB04-25-02.

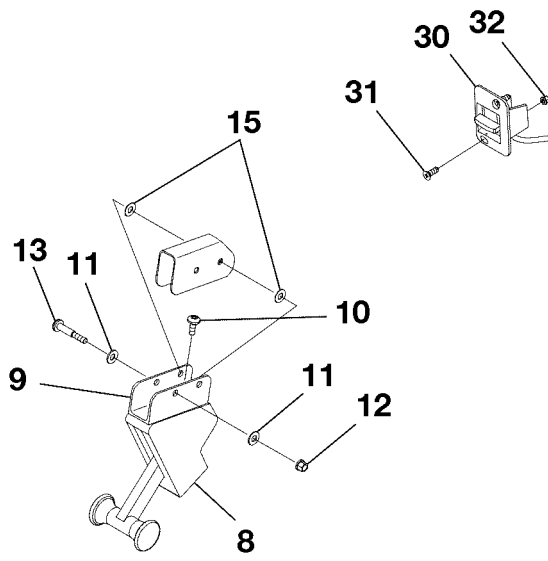
CESSNA AIRCRAFT COMPANY
MODEL 172 (SERIES 1996 AND ON)
 ILLUSTRATED PARTS CATALOG

B134



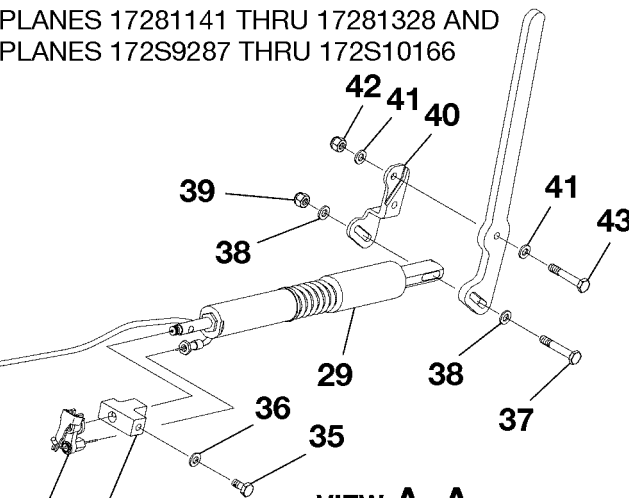
VIEW A-A

AIRPLANES 17281141 THRU 17281328 AND
 AIRPLANES 172S9287 THRU 172S10166



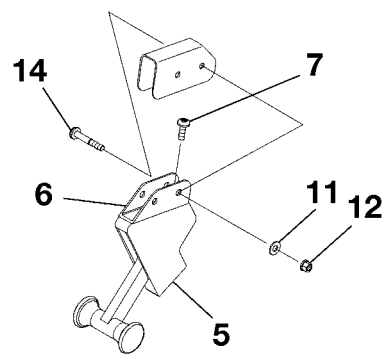
DETAIL B

AIRPLANES 17281200 AND ON AND
 AIRPLANES 172S9568 AND ON



VIEW A-A

AIRPLANES 17281329 AND ON AND
 AIRPLANES 172S10167 AND ON



DETAIL B

AIRPLANES 17281141 THRU 17281199 AND
 AIRPLANES 172S9287 THRU 172S9567

0519T1036
 AA0519T1037A
 AA0519T1037B
 B0519T1106
 B0519T1106A

SEAT ASSEMBLY-PILOT AND COPILOT
 FIGURE 03 (SHEET 1)

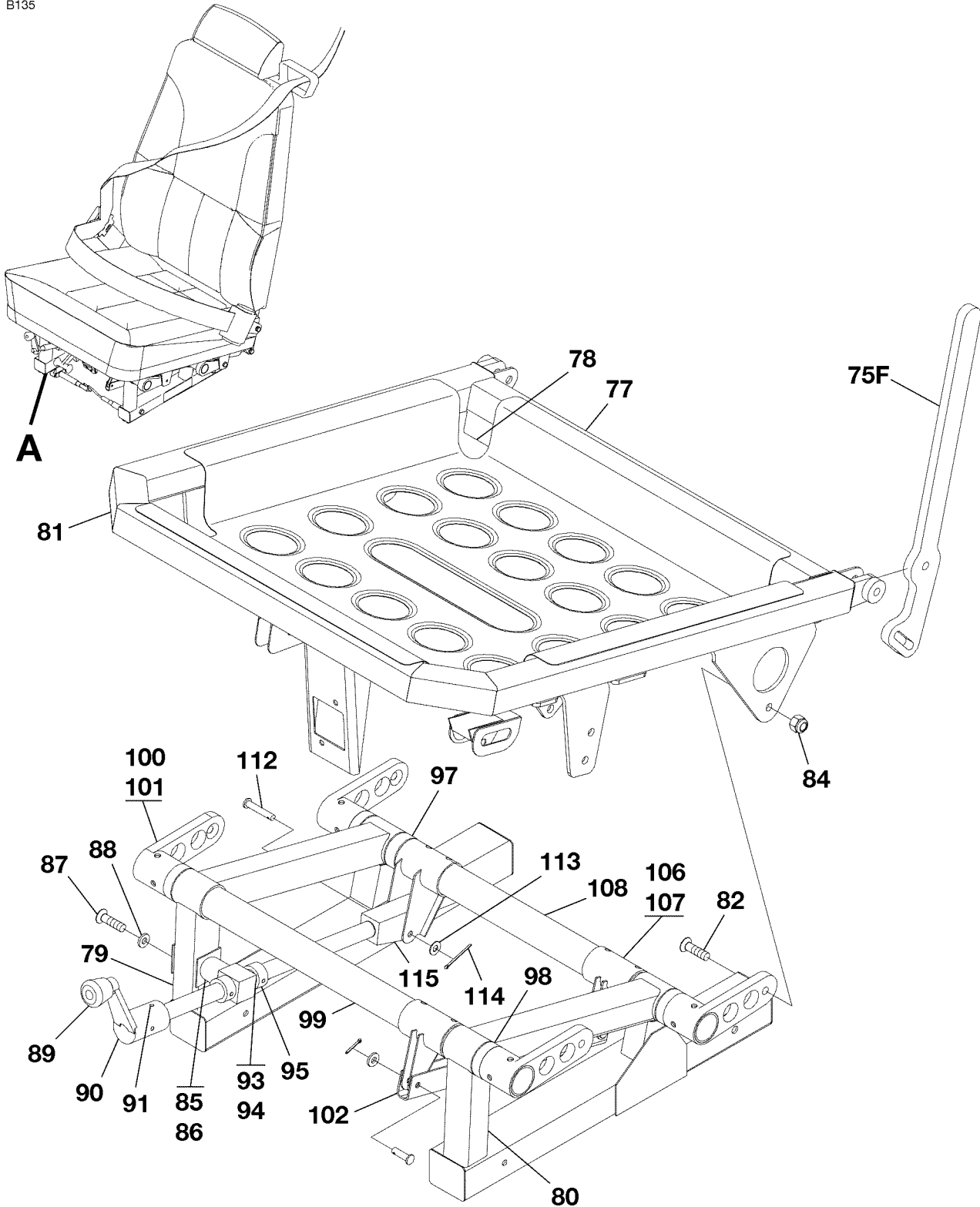
CESSNA AIRCRAFT COMPANY
MODEL 172 (SERIES 1996 AND ON)
ILLUSTRATED PARTS CATALOG

FIG ITEM	PART NUMBER	NOMENCLATURE	UNITS PER ASSY		
			1	2	3
03		SEAT ASSEMBLY-PILOT AND COPILOT			
-			81141	& ON	RF
			09287	& ON	
- 1		SEAT INSTALLATION REFER TO 25-10-00 FIGURE 01			RF
- 2	0719013-1	SEAT FRAME ASSY			01
- 3	0719013-4	SEAT CONTROL LOCK ASSY 172	81200	& ON	01
- 3A	0719013-4	SEAT CONTROL LOCK ASSY 172S	09568	& ON	01
- 4	0719013-3	SEAT CONTROL LOCK ASSY 172	81141	81199	01
- 4A	0719013-3	SEAT CONTROL LOCK ASSY 172S	09287	09567	01
5	1611021-07	CONTROL ASSEMBLY FSO SPL1925-1 172	81141	81199	NP
- 5A	1611021-07	CONTROL ASSEMBLY FSO SPL1925-1 172S	09287	09567	NP
6	1214202-5	ATTACH CHANNEL 172	81141	81199	01
- 6A	1214202-5	ATTACH CHANNEL 172S	09287	09567	01
7	MS35206-244	SCREW CHANNEL ATTACH 172	81141	81199	02
- 7A	MS35206-244	SCREW CHANNEL ATTACH 172S	09287	09567	02
8	SPL1925-1	SEAT CONTROL ASSEMBLY 172	81200	& ON	01
- 8A	SPL1925-1	SEAT CONTROL ASSEMBLY 172S	09568	& ON	01
9	0719016-19	ATTACH CHANNEL 172	81200	& ON	01
- 9A	0719016-19	ATTACH CHANNEL 172S	09568	& ON	01
10	MS35206-243	SCREW CHANNEL ATTACH 172	81200	& ON	01
- 10A	MS35206-243	SCREW CHANNEL ATTACH 172S	09568	& ON	01
11	NAS1149FN832P	WASHER CONTROL ATTACH			02
12	MS21042L08	NUT CONTROL ATTACH			02
13	MS27039-0815	SCREW 172	81200	& ON	02
- 13A	MS27039-0815	SCREW 172S	09568	& ON	02
14	MS27039-0813	SCREW 172	81141	81199	02
- 14A	MS27039-0813	SCREW 172S	09287	09567	02
15	NAS1149FN816P	WASHER 172	81200	& ON	04
- 15A	NAS1149FN816P	WASHER 172S	09568	& ON	04
- 16	0719013-2	CYLINDER LOCK ASSY 172	81141	81328	01
- 16A	0719013-2	CYLINDER LOCK ASSY 172S	09287	10166	01
17	MM20-1057	LOCK			01
18	MS16633-1021	RING			01
19	MC5794-24	CONTROL			01
20	MS35202-41	SCREW CONTROL ATTACH			02
21	MS21042L08	NUT CONTROL ATTACH			04
22	NAS43HT4-18	SPACER FWD CYLINDER LOCK ATTACH			02
23	AN4-15	BOLT FWD CYLINDER LOCK ATTACH 172	81140	81233	01
- 23A	AN4-15	BOLT FWD CYLINDER LOCK ATTACH 172S	09287	09770	01
- 23B	AN4-14A	BOLT FWD CYLINDER LOCK ATTACH 172	81234	81328	01
- 23C	AN4-14A	BOLT FWD CYLINDER LOCK ATTACH 172S	09771	10166	01
24	NAS1149F0463P	WASHER FWD CYLINDER LOCK ATTACH			02
25	MS21044N4	NUT FWD CYLINDER LOCK ATTACH			01
26	AN4-14A	BOLT AFT CYLINDER LOCK ATTACH 172	81140	81233	01
- 26A	AN4-14A	BOLT AFT CYLINDER LOCK ATTACH 172S	09287	09770	01
- 26B	NAS6604-17	BOLT AFT CYLINDER LOCK ATTACH 172	81234	81328	01
- 26C	NAS6604-17	BOLT AFT CYLINDER LOCK ATTACH 172S	09771	10166	01
27	NAS1149F0463P	WASHER AFT CYLINDER LOCK ATTACH 172	81140	81233	04
- 27A	NAS1149F0463P	WASHER AFT CYLINDER LOCK ATTACH 172S	09287	09770	04
- 27B	NAS1149F0463P	WASHER AFT CYLINDER LOCK ATTACH 172	81234	81328	06
- 27C	NAS1149F0463P	WASHER AFT CYLINDER LOCK ATTACH 172S	09771	10166	06
28	MS21044N4	NUT AFT CYLINDER LOCK ATTACH 172	81140	81233	04
- 28A	MS21044N4	NUT AFT CYLINDER LOCK ATTACH 172S	09287	09770	04
- 28B	MS21042-4	NUT AFT CYLINDER LOCK ATTACH 172	81234	81328	04
- 28C	MS21042-4	NUT AFT CYLINDER LOCK ATTACH 172S	09771	10166	04
29	UL18-020VSP1	ULTRALOC 172	V3P7Q0	81329	& ON
- 29A	UL18-020VSP1	ULTRALOC 172S	V3P7Q0	10167	& ON
30	MC5794-24	CONTROL			01
31	MS35202-41	SCREW CONTROL ATTACH			02
32	MS21042L08	NUT			02
33	SP22306	ACTUATOR KIT-ULTRALOC			01
34	0790012-2	END FITTING-ULTRALOC			01
35	AN4-4A	BOLT END FITTING ATTACH			02
36	NAS1149F0463P	WASHER END FITTING ATTACH			02
37	AN4-16A	BOLT AFT ULTRALOC ATTACH			01
38	NAS1149F0463P	WASHER AFT ULTRALOC ATTACH			02
39	MS21044N4	NUT AFT ULTRALOC ATTACH			01
40	0790012-4	BRACKET-ULTRALOC CLEVIS			01
41	NAS1149F0463P	WASHER CLEVIS BRACKET ATTACH TO SEAT BACK			03
42	MS21044N4	NUT CLEVIS BRACKET ATTACH TO SEAT BACK			01
43	AN4-16A	BOLT CLEVIS BRACKET ATTACH TO SEAT BACK			01

- ITEM NOT ILLUSTRATED

CESSNA AIRCRAFT COMPANY
MODEL 172 (SERIES 1996 AND ON)
 ILLUSTRATED PARTS CATALOG

B135



DETAIL A

SEAT ASSEMBLY-PILOT AND COPILOT
 FIGURE 03 (SHEET 2)

0519T1045
 A0519T1103

CESSNA AIRCRAFT COMPANY
MODEL 172 (SERIES 1996 AND ON)
ILLUSTRATED PARTS CATALOG

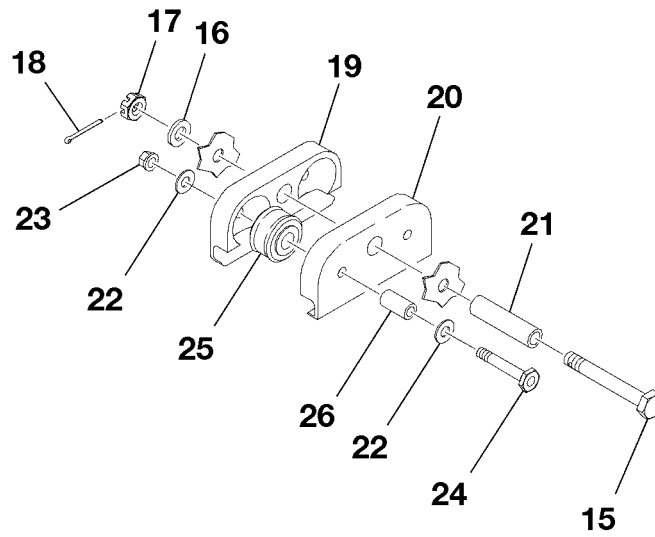
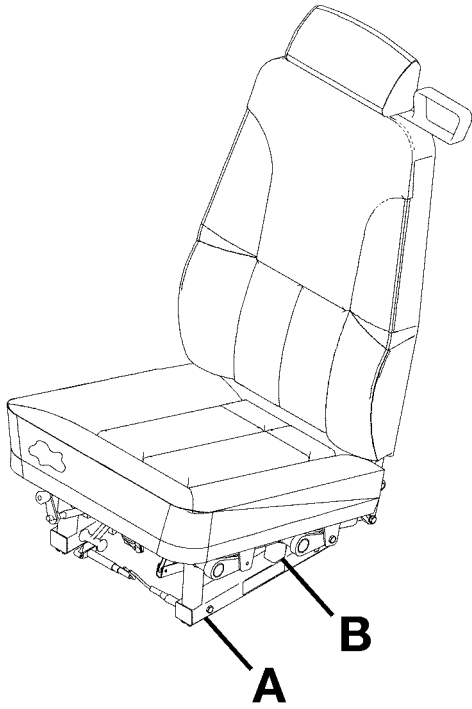
FIG ITEM	PART NUMBER	NOMENCLATURE	UNITS PER ASSY		
			1	2	3
03					
- 75	0719057-1	SEAT BACK ASSY FSO 0719057-3 172	81141	81141	NP
- 75A	0719057-1	SEAT BACK ASSY FSO 0719057-3 172S	09287	09287	NP
- 75B	0719057-2	SEAT BACK ASSY FSO 0719057-3 172	81142	81272	NP
- 75C	0719057-2	SEAT BACK ASSY FSO 0719057-3 172S	09288	10102	NP
- 75D	0719057-3	SEAT BACK ASSY 172	81273	& ON	01
- 75E	0719057-3	SEAT BACK ASSY 172S	10103	& ON	01
- 75F	0514215-21	FITTING	81141	81340	01 R
			09287	10281	
- 75G	0719057-5	FITTING	81341	& ON	01 R
			10282	& ON	
- 76	0719014-1	SEAT BASE ASSY 172	81141	81233	01
- 76A	0719014-1	SEAT BASE ASSY 172S	09287	09770	01
- 76B	0719014-2	SEAT BASE ASSY 172	81234	81328	01
- 76C	0719014-2	SEAT BASE ASSY 172S	09771	10166	01
- 76D	0719014-3	SEAT BASE ASSY 172	81329	81565	01
- 76E	0719014-3	SEAT BASE ASSY 172S	10167	11032	01
- 76F	0719014-5	SEAT BASE ASSY 172	81566	& ON	01
- 76G	0719014-5	SEAT BASE ASSY 172S	11033	& ON	01
- 77	0514227-13	SEAT PAN FSO 0514227-19 172	81140	81355	NP
- 77A	0514227-13	SEAT PAN FSO 0514227-19 172S	09287	10396	NP
- 77B	0514227-19	SEAT PAN 172	81356	& ON	01
- 77C	0514227-19	SEAT PAN 172S	10397	& ON	01
- 78	1214192-37	SKIRT FSO 0719014-4 172	81140	81347	NP
- 78A	1214192-37	SKIRT FSO 0719014-4 172S	09287	10353	NP
- 78B	0719014-4	SKIRT 172	81348	& ON	01
- 78C	0719014-4	SKIRT 172S	10354	& ON	01
- 79	0514214-28	BASE ASSY-RH			01
- 80	0514214-27	BASE ASSY-LH			01
- 81	0719017-1	UPPER WELD ASSY 172	81141	81347	01
- 81A	0719017-1	UPPER WELD ASSY 172S	09287	10353	01
- 81B	0719017-5	UPPER WELD ASSY 172	81348	& ON	01
- 81C	0719017-5	UPPER WELD ASSY 172S	10354	& ON	01
- 82	AN4-7A	BOLT UPPER WELD ASSY ATTACH 172	81142	81233	04
- 82A	AN4-7A	BOLT UPPER WELD ASSY ATTACH 172S	09288	09970	04
- 83	MS24694-S101	SCREW UPPER WELD ASSY ATTACH 172 REFER TO NOTE 1	81234	& ON	04
- 83A	MS24694-S101	SCREW UPPER WELD ASSY ATTACH 172S REFER TO NOTE 1	09971	& ON	04
- 84	MS21044N4	NUT UPPER WELD ASSY ATTACH			02
- 85	0514226-8	BEARING BLOCK			01
- 86	NAS1149F0663P	WASHER			01
- 87	MS35207-263	SCREW			01
- 88	NAS1149F0332P	WASHER			01
- 89	0514226-14	HANDLE ASSY			01
- 90	CJ1022	HANDLE ASSY			01
- 91	NAS561P4-10	PIN-HANDLE ASSY ATTACH ALT FOR MS16562-35			02
- 92	0514226-12	SHAFT			01
- 93	S2013-2	BEARING			01
- 94	S2014-2	RACE			02
- 95	1200138-2	COLLAR			02
- 96	NAS561P4-12	PIN COLLAR ATTACH			02
- 97	0514214-34	SPACER			01
- 98	0719016-15	SPACER			04
- 99	0514226-9	TUBE			02
- 100	0719016-11	CRANK ARM 172 FSO 0719016-20	81141	81233	NP
- 100A	0719016-11	CRANK ARM 172S FSO 0719016-20	09287	09770	NP
- 100B	0719016-20	CRANK ARM 172	81234	& ON	04
- 100C	0719016-20	CRANK ARM 172S	09771	& ON	04
- 101	NAS561P6-18	PIN CRANK ARM ATTACH			08
- 102	0514226-1	CHANNEL			01
- 103	MS20392-2C17	PIN CHANNEL ATTACH			02
- 104	NAS1149F0363P	WASHER CHANNEL ATTACH			02
- 105	MS24665-132	COTTER PIN CHANNEL ATTACH			02
- 106	0514028-5	BELLCRANK ASSY			02
- 107	NAS561P6-20	PIN BELLCRANK ATTACH			04
- 108	0514028-6	BELLCRANK ASSY			02
- 109	AN4-15A	BOLT BELLCRANK ATTACH			02
- 110	NAS1149F0463P	WASHER BELLCRANK ATTACH			04
- 111	MS21044N4	NUT BELLCRANK ATTACH			04
- 112	MS20392-2C31	PIN			01
- 113	NAS1149F0332P	WASHER			01
- 114	MS24665-136	COTTER PIN			01
- 115	0514037-3	NUT 172	80001	81328	01
- 116	0790007-2	NUT 172	81329	& ON	01
- 116A	0790007-2	NUT 172S	10167	& ON	01

NOTE 1—AIRPLANES 17281234 & ON AND AIRPLANES 172S9971 & ON AND AIRPLANES 17281140 THRU 17281220 AND AIRPLANES 172S9287 THRU 172S9650 INCORPORATING SB04-25-02

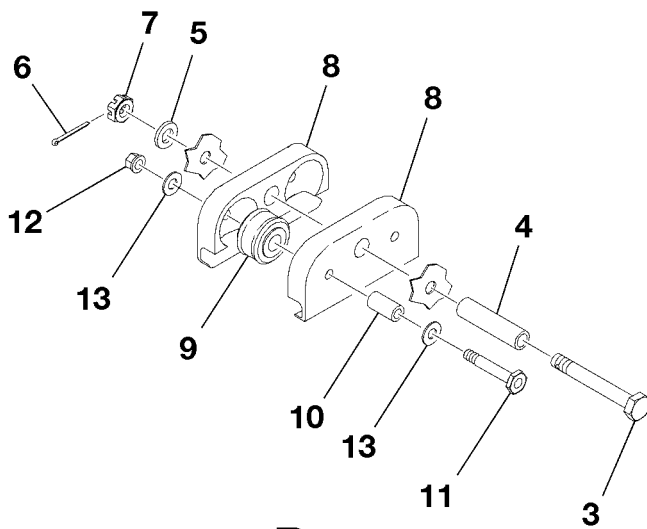
- ITEM NOT ILLUSTRATED

CESSNA AIRCRAFT COMPANY
MODEL 172 (SERIES 1996 AND ON)
 ILLUSTRATED PARTS CATALOG

B5998



DETAIL A



DETAIL B

SEAT FOOT ASSY-PILOT AND COPILOT
 FIGURE 04 (SHEET 1)

0519T1036
 A0519T1039
 B0519T1039

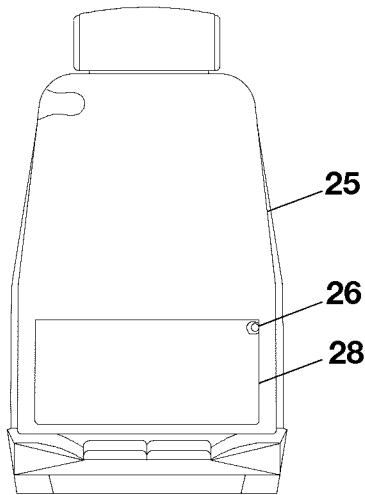
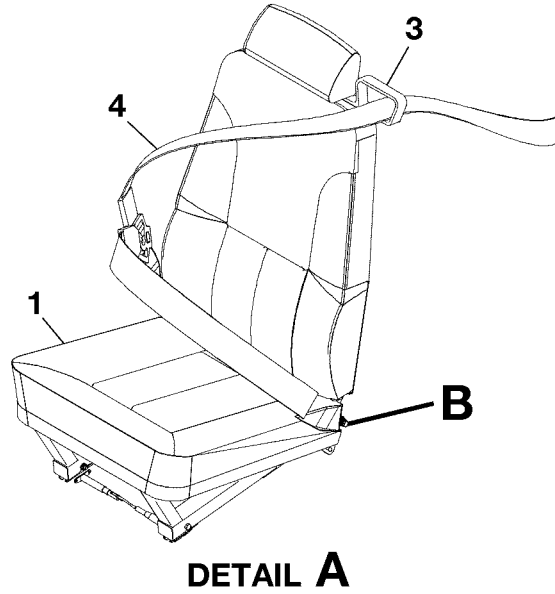
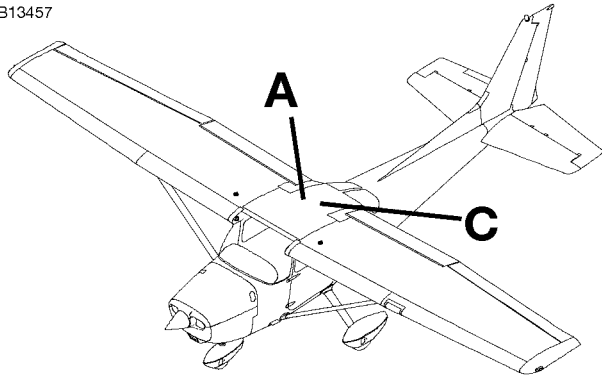
CESSNA AIRCRAFT COMPANY
MODEL 172 (SERIES 1996 AND ON)
 ILLUSTRATED PARTS CATALOG

FIG ITEM	PART NUMBER	NOMENCLATURE	UNITS
			PER ASSY
04		SEAT FOOT ASSY-PILOT AND COPILOT	RF R
-		. SEAT FRAME ASSY REFER TO 25-10-00 FIGURE 03	RF R
- 1		. . SEAT FOOT ASSY-AFT	01 R
- 2	0514228-3	. . BOLT SEAT FOOT ATTACH	02 R
3	AN4-17	. . BUSHING SEAT FOOT ATTACH	02 R
4	5119208-2	. . WASHER SEAT FOOT ATTACH	02 R
5	NAS1149F0463P	. . COTTER PIN SEAT FOOT ATTACH	02 R
6	MS24665-172	. . NUT SEAT FOOT ATTACH	02 R
7	AN320-4	. . FOOT HALF	02 R
8	0514228-4	. . ROLLER	01 R
9	CM2941-1	. . BUSHING	01 R
10	CM2942-1	. . BOLT	01 R
11	NAS1103-14	. . NUT	02 R
12	MS21042-3	. . WASHER	04 R
13	NAS1149F0332P	. . SEAT FOOT ASSY-FWD	01 R
- 14	0514229-1	. . BOLT SEAT FOOT ATTACH	02 R
15	AN4-17	. . WASHER SEAT FOOT ATTACH	02 R
16	NAS1149F0463P	. . NUT SEAT FOOT ATTACH	02 R
17	AN320-4	. . COTTER PIN SEAT FOOT ATTACH	02 R
18	MS24665-172	. . FOOT HALF	01 R
19	0514229-2	. . FOOT HALF	01 R
20	0514229-3	. . BUSHING	01 R
21	5119208-2	. . BUSHING	01 R
22	NAS1149F0332P	. . WASHER	04 R
23	MS21042-3	. . NUT	02 R
24	NAS1103-14	. . BOLT	02 R
25	CM2941-1	. . ROLLER	02 R
26	CM2942-1	. . BUSHING	02 R

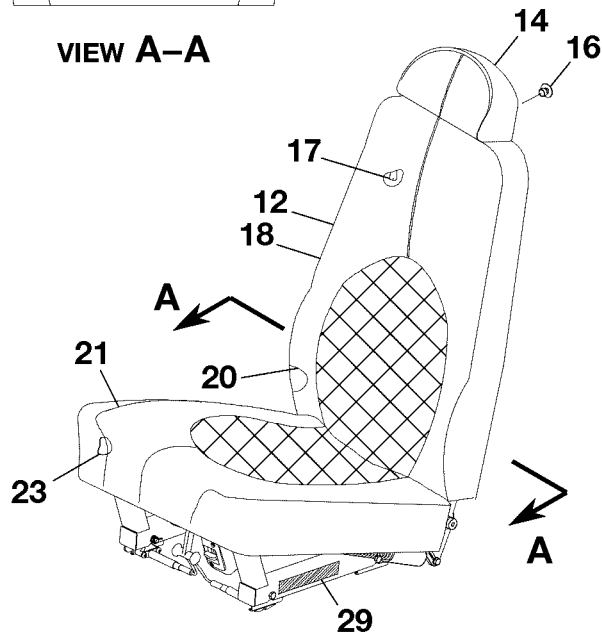
- ITEM NOT ILLUSTRATED

CESSNA AIRCRAFT COMPANY
MODEL 172 (SERIES 1996 AND ON)
 ILLUSTRATED PARTS CATALOG

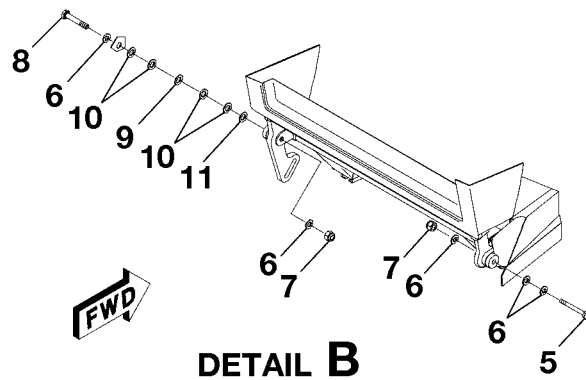
B13457



VIEW A-A



DETAIL C



0510T1007

OBSERVER SEAT INSTALLATION - OPTIONAL
 FIGURE 05 (SHEET 1)

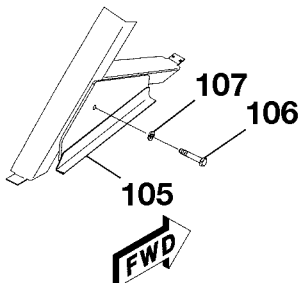
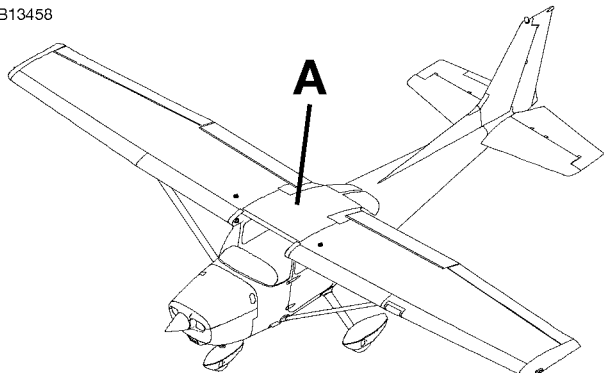
CESSNA AIRCRAFT COMPANY
MODEL 172 (SERIES 1996 AND ON)
ILLUSTRATED PARTS CATALOG

FIG ITEM	PART NUMBER	NOMENCLATURE	UNITS		
			PER	ASSY	
		1 2 3 4 5 6 7			
05					
-		OBSERVER SEAT INSTALLATION - OPTIONAL	81545	& ON	RF
			10886	& ON	
1	0519109-1	. OBSERVER SEAT ASSY-FABRIC 172			01
- 2	0519109-2	. OBSERVER SEAT ASSY-LEATHER 172			01
3	CJ1001-00	. HARNESS GUIDE V0SX36			01
		ATTACHING PARTS			
- 3A	MS24694-C10	. SCREW			02
		—*—			
4	3043-1-011-8096	. RESTRAINT ASSY V0FWE1			01
5	AN4-13A	. BOLT			01
6	NAS1149F0463P	. WASHER			05
7	MS21044N4	. NUT			02
8	AN4-14A	. BOLT			01
9	1214198-3	. BUSHING FSO 0514232-3.			NP
- 9A	0514232-3	. BUSHING			01
10	NAS1149F0563P	. WASHER			04
11	NAS1149F0532P	. WASHER			01
12	1219130-1	. SEAT UPHOLSTERY ASSY-FABRIC 172	81545	81564	01
- 12A	1219130-1	. SEAT UPHOLSTERY ASSY-FABRIC 172S	10886	11044	01
- 12B	0519117-3	. SEAT UPHOLSTERY ASSY-FABRIC 172	81566	& ON	01
- 12C	0519117-3	. SEAT UPHOLSTERY ASSY-FABRIC 172S	11046	& ON	01
- 13	1219135-1	. SEAT UPHOLSTERY ASSY-LEATHER 172	81545	81564	01
- 13A	1219135-1	. SEAT UPHOLSTERY ASSY-LEATHER 172S	10886	11044	01
- 13B	0519117-4	. SEAT UPHOLSTERY ASSY-LEATHER 172	81566	& ON	01
- 13C	0519117-4	. SEAT UPHOLSTERY ASSY-LEATHER 172S	11046	& ON	01
14	0719113-3	. SEAT HEADREST UPHOLSTERY ASSY-FABRIC 172	81545	81564	01
- 14A	0719113-3	. SEAT HEADREST UPHOLSTERY ASSY-FABRIC 172S	10886	11044	01
- 14B	0519118-6	. SEAT HEADREST UPHOLSTERY ASSY-FABRIC 172	81566	& ON	01
- 14C	0519118-6	. SEAT HEADREST UPHOLSTERY ASSY-FABRIC 172S	11046	& ON	01
- 15	0719114-3	. SEAT HEADREST UPHOLSTERY ASSY-LEATHER 172	81545	81564	01
- 15A	0719114-3	. SEAT HEADREST UPHOLSTERY ASSY-LEATHER 172S	10886	11044	01
- 15B	0519118-7	. SEAT HEADREST UPHOLSTERY ASSY-LEATHER 172	81566	& ON	01
- 15C	0519118-7	. SEAT HEADREST UPHOLSTERY ASSY-LEATHER 172S	11046	& ON	01
16	9910182-5	. GROMMET-HEADREST			02
17	MS24665-285	. COTTER PIN			02
18	0719113-7	. SEAT BACK UPHOLSTERY ASSY-FABRIC 172	81545	81564	01
- 18A	0719113-7	. SEAT BACK UPHOLSTERY ASSY-FABRIC 172S	10886	11044	01
- 18B	0719131-6	. SEAT BACK UPHOLSTERY ASSY-FABRIC 172	81566	& ON	01
- 18C	0719131-6	. SEAT BACK UPHOLSTERY ASSY-FABRIC 172S	11046	& ON	01
- 19	0719114-7	. SEAT BACK UPHOLSTERY ASSY-LEATHER 172	81545	81564	01
- 19A	0719114-7	. SEAT BACK UPHOLSTERY ASSY-LEATHER 172S	10886	11044	01
- 19B	0719130-7	. SEAT BACK UPHOLSTERY ASSY-LEATHER 172	81566	& ON	01
- 19C	0719130-7	. SEAT BACK UPHOLSTERY ASSY-LEATHER 172S	11046	11663	01 R
- 19D	0719130-17	. SEAT BACK UPHOLSTERY ASSY-LEATHER 172S	11664	& ON	01 R
20	122394-6	. CUSHION SEAT BACK V1DT52			01
21	0719113-5	. SEAT BASE UPHOLSTERY ASSY-FABRIC 172	81545	81564	01
- 21A	0719113-5	. SEAT BASE UPHOLSTERY ASSY-FABRIC 172S	10886	11044	01
- 21B	0719131-4	. SEAT BASE UPHOLSTERY ASSY-FABRIC 172	81566	& ON	01
- 21C	0719131-4	. SEAT BASE UPHOLSTERY ASSY-FABRIC 172S	11046	& ON	01
- 22	0719114-5	. SEAT BASE UPHOLSTERY ASSY-LEATHER 172	81545	81564	01
- 22A	0719114-5	. SEAT BASE UPHOLSTERY ASSY-LEATHER 172S	10886	11044	01
- 22B	0719130-5	. SEAT BASE UPHOLSTERY ASSY-LEATHER 172	81566	& ON	01
- 22C	0719130-5	. SEAT BASE UPHOLSTERY ASSY-LEATHER 172S	11046	11663	01 R
- 22D	0719130-15	. SEAT BASE UPHOLSTERY ASSY-LEATHER 172S	11664	& ON	01 R
23	122394-7	. CUSHION PAN			01
- 24	122394-5	. CUSHION SEAT BASE 172	81545	81564	01
- 24A	122394-5	. CUSHION SEAT BASE 172S	10886	11044	01
- 24B	122394-4	. CUSHION SEAT BASE 172	81566	& ON	01
- 24C	122394-4	. CUSHION SEAT BASE 172S	11046	& ON	01
25	0719113-9	. PAN COVER UPHOLSTERY ASSY			01
26	0719113-8	. POCKET UPHOLSTERY ASSY			01
- 27	0719114-8	. POCKET UPHOLSTERY ASSY			01
28	S3928-4-10AB	. SCREW			04
29		. PLACARD-FWD SEAT ONLY REFER TO 11-N-31 FIGURE 02			RF

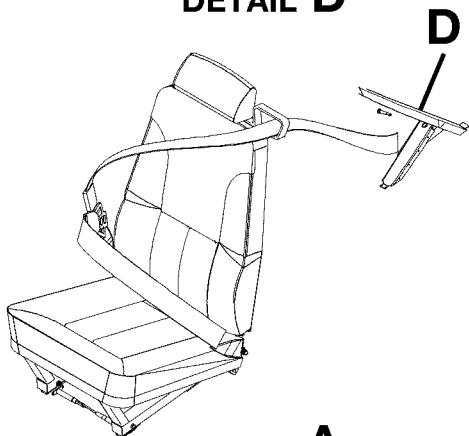
- ITEM NOT ILLUSTRATED

CESSNA AIRCRAFT COMPANY
MODEL 172 (SERIES 1996 AND ON)
 ILLUSTRATED PARTS CATALOG

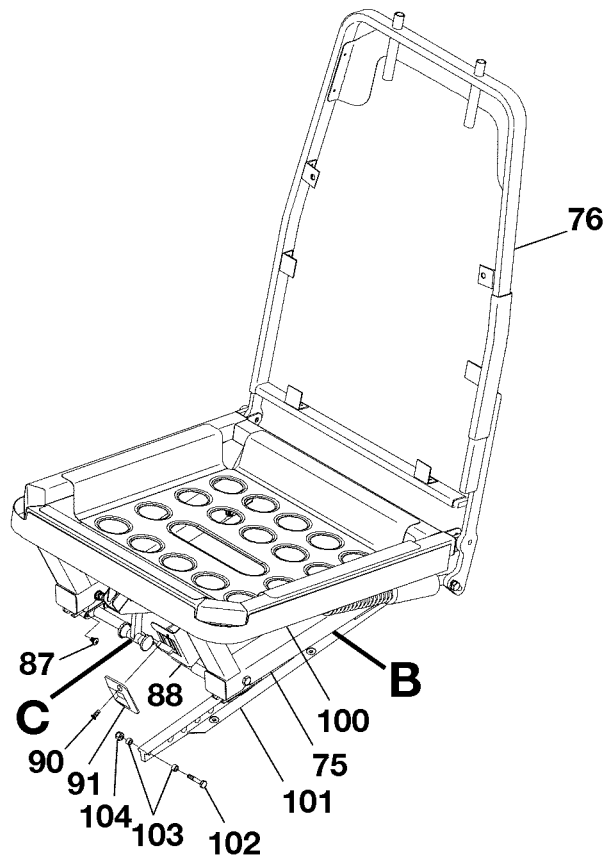
B13458



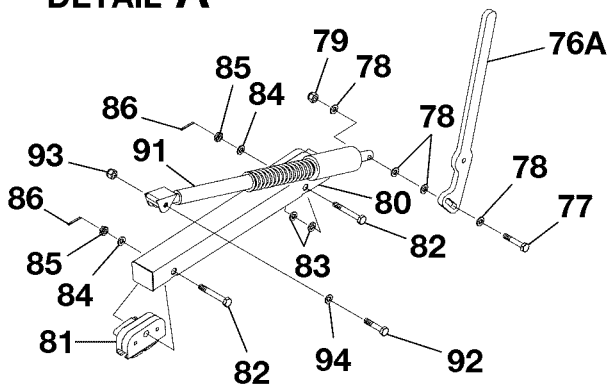
DETAIL D



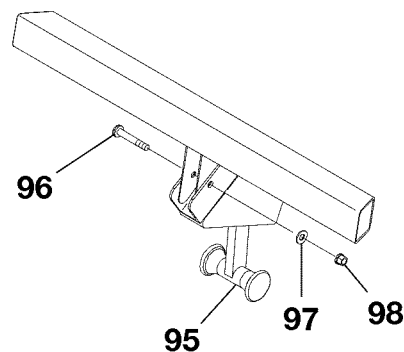
DETAIL A



DETAIL A



DETAIL C



DETAIL B

OBSERVER SEAT INSTALLATION - OPTIONAL
 FIGURE 05 (SHEET 2)

0510T1007

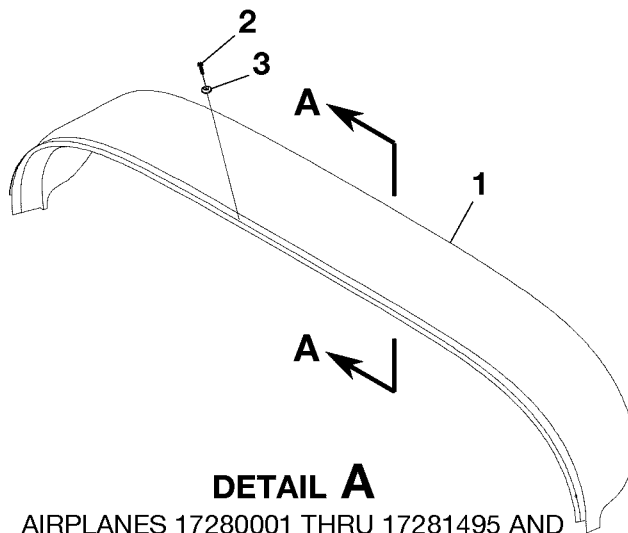
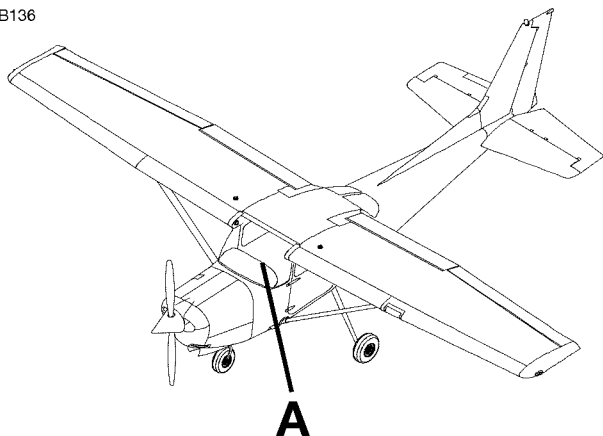
CESSNA AIRCRAFT COMPANY
MODEL 172 (SERIES 1996 AND ON)
ILLUSTRATED PARTS CATALOG

FIG ITEM	PART NUMBER	NOMENCLATURE	UNITS
			PER ASSY
05			
75	1219027-1	FRAME ASSY	01
76	0719057-3	SEAT BACK ASSY	01
76A	0719057-5	FITTING ASSEMBLY ATTACHING PARTS	01
77	AN4-13A	BOLT	01
78	NAS1149F0463P	WASHER	04
79	MS21044N4	NUT	02
80	0514228-3	SEAT FOOT ASSY	02
81	0514229-1	SEAT FOOT ASSY ATTACHING PARTS	02
82	AN4-17	BOLT	04
83	5119208-2	BUSHING	02
84	NAS1149F0463P	WASHER	08
85	AN320-4	NUT	04
86	MS24665-172	COTTER PIN	04
87	MS35207-259	SCREW	04
88	MC5794-24	CONTROL V02953	01
- 89	MS16633-1021	RING	01
90	MS24693-BB49	SCREW	02
91	MM20-1057	LOCK V02953	01
92	AN4-12A	BOLT	01
93	NAS1149F0463P	WASHER	01
94	MS21044N4	NUT	01
95	0719013-4	SEAT CONTROL LOCK ASSY ATTACHING PARTS	01
96	MS27039-0816	SCREW	02
97	NAS1149FN832P	WASHER	02
98	MS21042L08	NUT	02
- 99	0514227-19	SEAT PAN	01
100	0719014-4	SKIRT	01
101		SEAT RAIL REFER TO 53-20-00 FIGURE 01	RF
102	AN3-10A	BOLT	04
103	NAS43HT3-12	SPACER	08
104	MS21044N3	NUT	04
105		GUSSET ASSY REFER TO 53-20-00 FIGURE 01	RF
106	AN4-7A	BOLT	01
107	NAS1149F0463P	WASHER	01

- ITEM NOT ILLUSTRATED

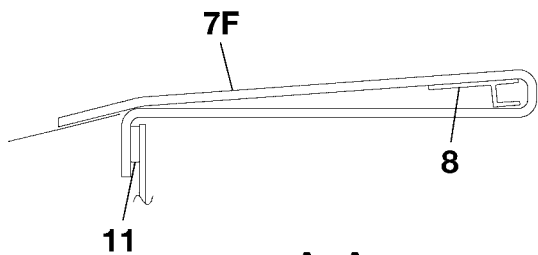
CESSNA AIRCRAFT COMPANY
MODEL 172 (SERIES 1996 AND ON)
 ILLUSTRATED PARTS CATALOG

B136



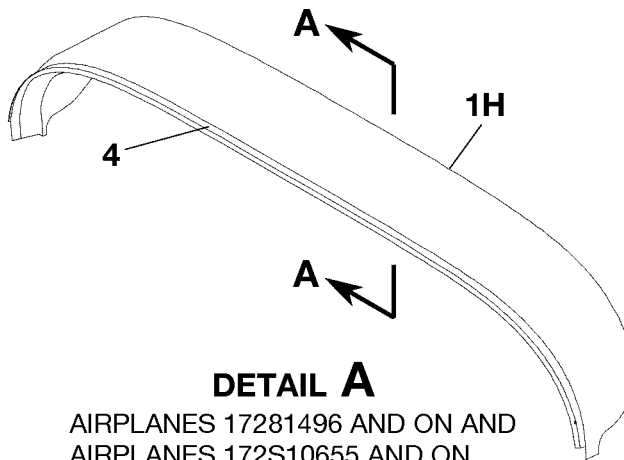
DETAIL A

AIRPLANES 17280001 THRU 17281495 AND
 AIRPLANES 172S08001 THRU 172S10654



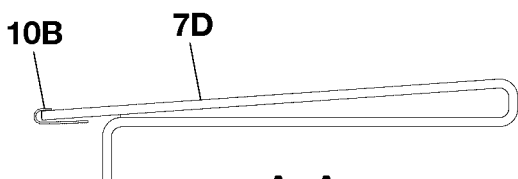
VIEW A-A

AIRPLANES 17281496 AND ON AND
 AIRPLANES 172S10655 AND ON



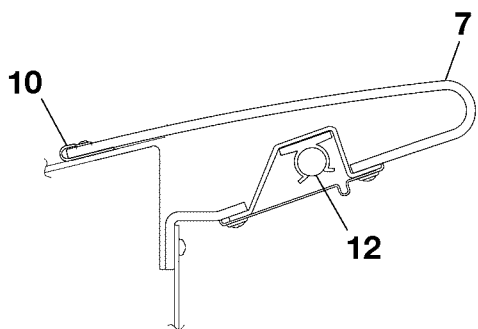
DETAIL A

AIRPLANES 17281496 AND ON AND
 AIRPLANES 172S10655 AND ON



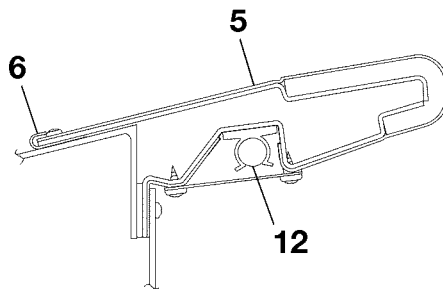
VIEW A-A

AIRPLANES 17281241 THRU 17281495 AND
 AIRPLANES 172S9810 THRU 172S10654



VIEW A-A

AIRPLANES 17280963 THRU 17280983 AND
 AIRPLANES 172S8634 THRU 172S8703



VIEW A-A

AIRPLANES 17280001 THRU 17280962 AND
 AIRPLANES 172S8001 THRU 172S8633

0510T1007
 A0519T1044
 A0519T1044
 AA0519T1046
 AA0519T1118
 AA1214T1064
 AA0519T1121

GLARESHIELD INSTALLATION
 FIGURE 01 (SHEET 1)

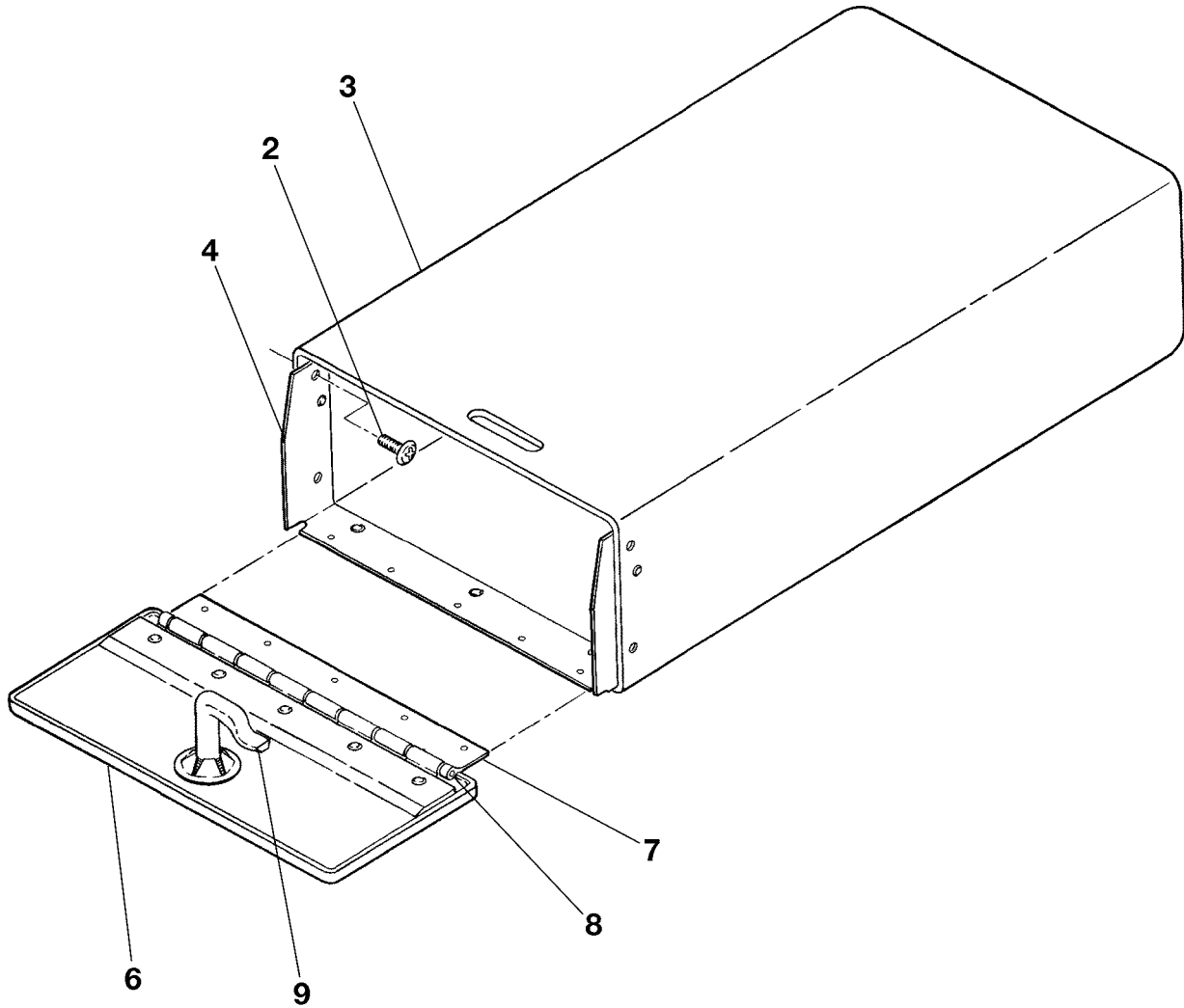
CESSNA AIRCRAFT COMPANY
MODEL 172 (SERIES 1996 AND ON)
ILLUSTRATED PARTS CATALOG

FIG ITEM	PART NUMBER	NOMENCLATURE	UNITS PER ASSY		
	1 2 3 4 5 6 7				
01		GLARESHIELD INSTALLATION			RF
-		. GLARESHIELD ASSY-INCLUDING LIGHT FSO 0519008-1 172	80001	80962	NP R
1	0514230-1	. GLARESHIELD ASSY-INCLUDING LIGHT FSO 0519008-1 172S	08001	08633	NP R
- 1A	0514230-1	. KYDEX GLARESHIELD ASSY-INCLUDING LIGHT 172	80963	80983	01 R
- 1B	0519008-1	. KYDEX GLARESHIELD ASSY-INCLUDING LIGHT 172S	08634	08703	01 R
- 1C	0519008-1	. GLARESHIELD ASSY-INCLUDING LIGHT 172	80984	81240	01 R
- 1D	0519015-1	. GLARESHIELD ASSY-INCLUDING LIGHT 172S	08704	09809	01 R
- 1E	0519015-1	. GLARESHIELD ASSY-NAV III 172 FSO 0519087-4	81241	81495	NP R
- 1F	0519087-1	. GLARESHIELD ASSY-NAV III 172S FSO 0519087-4	09810	10654	NP R
- 1G	0519087-1	. GLARESHIELD ASSY-NAV III 172	81496	& ON	01 R
- 1H	0519087-4	. GLARESHIELD ASSY-NAV III 172S	10655	& ON	01 R
- 1J	0519087-4	ATTACHING PARTS			
	2	. SCREW 172	80001	81495	10 R
- 2A	S1023A6-12J	. SCREW 172S	08001	10654	10 R
	3	. WASHER 172	80001	81495	10 R
- 3A	S2255-1	. WASHER 172S	08001	10654	10 R
4	P840366	. FOAM TAPE 172	81496	& ON	AR R
- 4A	P840366	. FOAM TAPE 172S	10655	& ON	AR R
		-			
5	0515085-1	. . GLARESHIELD-PADDED 172 FSO 0519008-2 REFER TO NOTE 1	80001	80962	NP R
- 5A	0515085-1	. . GLARESHIELD-PADDED 172S FSO 0519008-2 REFER TO NOTE 1	08001	08633	NP R
6	0515034-19	. . MOLDING-TRIM			01 R
7	0519008-2	. . KYDEX GLARESHIELD 172	80963	80983	01 R
- 7A	0519008-2	. . KYDEX GLARESHIELD 172S	08634	08703	01 R
- 7B	0519015-2	. . KYDEX GLARESHIELD 172	80984	81240	01 R
- 7C	0519015-2	. . KYDEX GLARESHIELD 172S	08704	09809	01 R
7D	0519087-2	. . GLARESHIELD-NAV III 172 FSO 0519087-5	81241	81495	NP R
- 7E	0519087-2	. . GLARESHIELD-NAV III 172S FSO 0519087-5	09810	10654	NP R
7F	0519087-5	. . GLARESHIELD-NAV III 172	81496	& ON	01 R
- 7G	0519087-5	. . GLARESHIELD-NAV III 172S	10655	& ON	01 R
8	0519087-6	. . STIFFENER 172	81496	& ON	01 R
- 8A	0519087-6	. . STIFFENER 172S	10655	& ON	01 R
		ATTACHING PARTS			
- 9	U065041	. . FOAM TAPE			AR R
		-			
10	0515034-19	. . MOLDING-TRIM 172	80984	81240	01 R
- 10A	0515034-19	. . MOLDING-TRIM 172S	08704	09809	01 R
10B	0519087-3	. . MOLDING-TRIM WITH NAV III 172	81241	81495	01 R
- 10C	0519087-3	. . MOLDING-TRIM WITH NAV III 172S	09810	10654	01 R
11	0519087-7	. . SPACER WITH NAV III 172	81496	& ON	01 R
- 11A	0519087-7	. . SPACER WITH NAV III 172S	10655	& ON	01 R
12		. GLARESHIELD LIGHTING REFER TO 33-10-00 FIGURE 01			RF R

NOTE 1—WHEN ORDERING 0519008-2 AS A SPARES REPLACEMENT FOR 0515085-1 YOU MUST ALSO ORDER 0519008-5.

CESSNA AIRCRAFT COMPANY
MODEL 172 (SERIES 1996 AND ON)
ILLUSTRATED PARTS CATALOG

B137



MAP COMPARTMENT INSTALLATION
FIGURE 01 (SHEET 1)

0519R3003

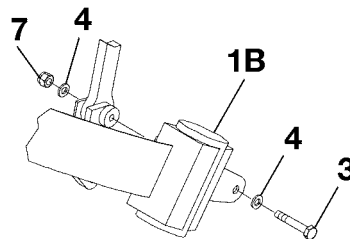
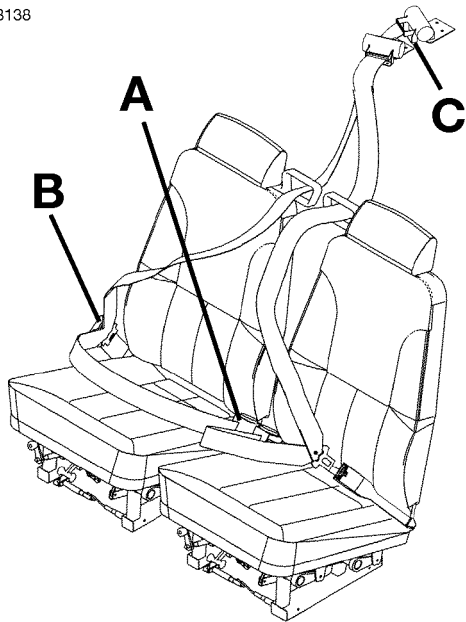
CESSNA AIRCRAFT COMPANY
MODEL 172 (SERIES 1996 AND ON)
 ILLUSTRATED PARTS CATALOG

FIG ITEM	PART NUMBER	NOMENCLATURE	UNITS PER ASSY		
			1	2	3
01		MAP COMPARTMENT INSTALLATION			RF
-					
- 1	0513552-15	. MAP CASE ASSY-REMOVABLE 172	80001	81097	01 R
- 1A	0513552-15	. MAP CASE ASSY-REMOVABLE 172S	08001	08063	01 R
- 1B	0513552-20	. MAP CASE ASSY-REMOVABLE 172	81098	& ON	01 R
- 1C	0513552-20	. MAP CASE ASSY-REMOVABLE 172S	08064	& ON	01 R
		ATTACHING PARTS			
2	S1021Z6-8	. SCREW			04
		—*—			
3	0513552-13	. . CASE ASSY-MAP 172	80001	81097	01 R
- 3A	0513552-13	. . CASE ASSY-MAP 172S	08001	08063	01 R
- 3B	0513552-19	. . CASE ASSY-MAP 172	81098	& ON	01 R
- 3C	0513552-19	. . CASE ASSY-MAP 172S	08064	& ON	01 R
4	0513552-4	. . . DOUBLER			01
- 5	0513552-12	. . . DOUBLER 172	80001	81097	01 R
- 5A	0513552-12	. . . DOUBLER 172S	08001	08063	01 R
- 5B	0513552-17	. . . DOUBLER 172	81098	& ON	01 R
- 5C	0513552-17	. . . DOUBLER 172S	08064	& ON	01 R
6	0513552-14	. . DOOR ASSY-MAP CASE			01
7	0513552-9	. . . HINGE HALF			01
8	MS20253P2-525	. . . HINGE PIN			01
9	HPL3-4-1	. . . LATCH ASSY-MAP CASE V83014			01

- ITEM NOT ILLUSTRATED

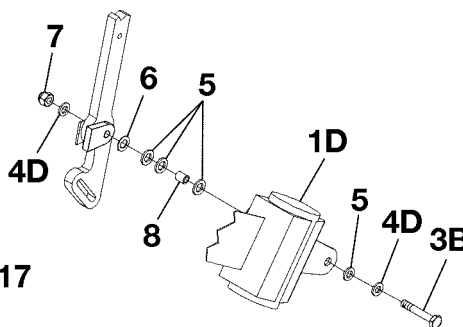
CESSNA AIRCRAFT COMPANY
MODEL 172 (SERIES 1996 AND ON)
 ILLUSTRATED PARTS CATALOG

B138



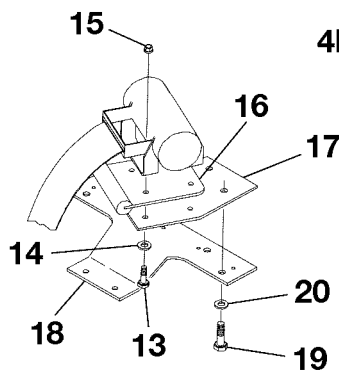
DETAIL A

AIRPLANES 17280001 THRU 17280983
 AND AIRPLANES 172S8001 THRU 172S8703

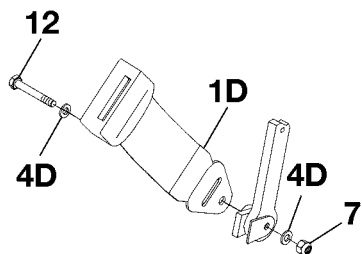


DETAIL A

17280984 AND ON AND
 172S8704 AND ON

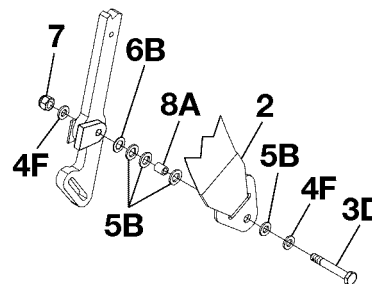


DETAIL C



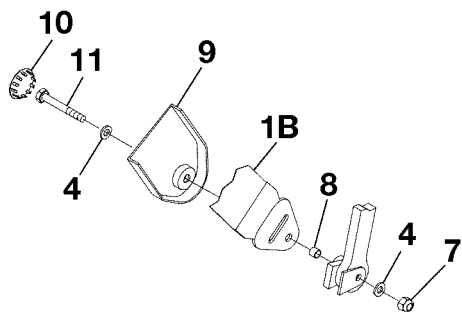
DETAIL B

17280984 AND ON AND
 172S8704 AND ON



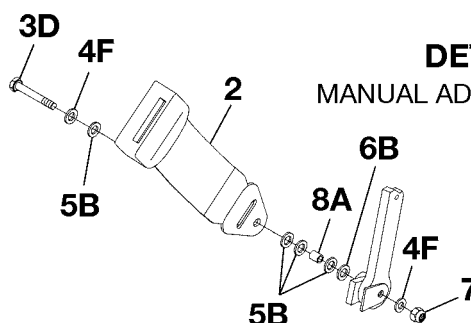
DETAIL A

MANUAL ADJUST RESTRAINT



DETAIL B

AIRPLANES 17280001 THRU 17280983
 AND AIRPLANES 172S8001 THRU 172S8703



DETAIL B

MANUAL ADJUST RESTRAINT

1214T6000
 A1219T1053
 A1219T1054
 B0719T1045
 B1219T1004
 B0719T1045
 C0519T1047

RESTRAINT SYSTEM INSTALLATION PILOT AND COPILOT
 FIGURE 01 (SHEET 1)

CESSNA AIRCRAFT COMPANY

MODEL 172 (SERIES 1996 AND ON)

ILLUSTRATED PARTS CATALOG

FIG ITEM	PART NUMBER	NOMENCLATURE	UNITS PER ASSY	
		1 2 3 4 5 6 7		
01		RESTRAINT SYSTEM INSTALLATION PILOT AND COPILOT		RF
- 1	2000031-09-201	. RESTRAINT SYSTEM-PILOT 172 FSO 504516-401-8012	V45402 80001	80760 NP
- 1A	2000031-09-201	. RESTRAINT SYSTEM-PILOT 172S FSO 504516-401-8012	V45402 08001	08237 NP
- 1B	2000031-10-201	. RESTRAINT SYSTEM-COPILOT 172 FSO 504516-401-8012	V45402 80001	80760 NP
- 1C	2000031-10-201	. RESTRAINT SYSTEM-COPILOT 172S FSO 504516-401-8012	V45402 08001	08237 NP
- 1D	504516-401-8013	. RESTRAINT SYSTEM-PILOT & COPILOT 172 REFER TO NOTE 2	V0FWE1 80761	80983 02
- 1E	504516-401-8013	. RESTRAINT SYSTEM-PILOT & COPILOT 172S REFER TO NOTE 3	V0FWE1 08238	08703 02
- 1F	504516-401-8087	. RESTRAINT SYSTEM-PILOT & COPILOT 172	V0FWE1 80984	81200 02
- 1G	504516-401-8087	. RESTRAINT SYSTEM-PILOT & COPILOT 172S	V0FWE1 08704	09568 02
- 1H	504516-401-8105	. RESTRAINT SYSTEM-PILOT & COPILOT 172	V0FWE1 81201	81272 02
- 1J	504516-401-8105	. RESTRAINT SYSTEM-PILOT & COPILOT 172S	V0FWE1 09569	10102 02
- 1K	504516-401-8096	. RESTRAINT SYSTEM-PILOT & COPILOT 172	V0FWE1 81273	& ON 02
- 1L	504516-401-8096	. RESTRAINT SYSTEM-PILOT & COPILOT 172S	V0FWE1 10103	& ON 02
- 2	504851-401-8013	. RESTRAINT SYSTEM MANUAL ADJUST-PILOT & COPILOT REFER TO NOTE 1	V0FWE1	02
- 2A	504851-401-8087	. RESTRAINT SYSTEM MANUAL ADJUST-PILOT & COPILOT 172	V0FWE1 80984	81200 02
- 2B	504851-401-8087	. RESTRAINT SYSTEM MANUAL ADJUST-PILOT & COPILOT 172S	V0FWE1 08704	09568 02
- 2C	504851-401-8105	. RESTRAINT SYSTEM MANUAL ADJUST-PILOT & COPILOT 172	V0FWE1 81201	81272 02
- 2D	504851-401-8105	. RESTRAINT SYSTEM MANUAL ADJUST-PILOT & COPILOT 172S	V0FWE1 09569	10102 02
- 2E	504851-401-8096	. RESTRAINT SYSTEM MANUAL ADJUST-PILOT & COPILOT 172	V0FWE1 81273	& ON 02
- 2F	504851-401-8096	. RESTRAINT SYSTEM MANUAL ADJUST-PILOT & COPILOT 172S	V0FWE1 10103	& ON 02
		ATTACHING PARTS		
3	AN4-14A	. BOLT 172	80001	80983 01
- 3A	AN4-14A	. BOLT 172S	08001	08703 01
3B	AN4-16A	. BOLT 172	80984	& ON 01
- 3C	AN4-16A	. BOLT 172S	08704	& ON 01
3D	AN4-16A	. BOLT USED WITH MANUAL ADJUST RESTRAINT		02
4	NAS1149F0463P	. WASHER 172 USED ON RH & LH ATTACH POINTS	80001	80981 04
- 4A	NAS1149F0463P	. WASHER 172S USED ON RH & LH ATTACH POINTS	08001	08701 04
- 4B	NAS1149F0463P	. WASHER 172 USED ON RH ATTACH POINT	80982	80983 02
- 4C	NAS1149F0463P	. WASHER 172S USED ON RH ATTACH POINT	08702	08703 02
4D	NAS1149F0463P	. WASHER 172 USED ON RH & LH ATTACH POINTS	80984	& ON 04
- 4E	NAS1149F0463P	. WASHER 172S USED ON RH & LH ATTACH POINTS	08704	& ON 04
4F	NAS1149F0463P	. WASHER USED WITH MANUAL ADJUST RESTRAINT		04
5	NAS1149F0563P	. WASHER 172	80761	& ON 04
- 5A	NAS1149F0563P	. WASHER 172S	08238	& ON 04
5B	NAS1149F0563P	. WASHER USED WITH MANUAL ADJUST RESTRAINT		08
6	NAS1149F0532P	. WASHER 172	80982	& ON 01
- 6A	NAS1149F0532P	. WASHER 172S	08702	& ON 01
6B	NAS1149F0532P	. WASHER USED WITH MANUAL ADJUST RESTRAINT		02
7	MS21044N4	. NUT		02
8	1214198-3	. BUSHING FSO 0514232-3		01 R
8A	1214198-3	. BUSHING USED WITH MANUAL ADJUST RESTRAINT FSO 0514232-3		02 R
- 8B	0514232-3	. BUSHING		AR R
9	1214198-2	. COVER 172	80001	80760 01
- 9A	1214198-2	. COVER 172S	08001	08237 01
10	S1093B44	. PLUG BUTTON 172	80001	80760 01
- 10A	S1093B44	. PLUG BUTTON 172S	08001	08237 01
11	AN4-16A	. BOLT 172	80001	80983 01
- 11A	AN4-16A	. BOLT 172S	08001	08703 01
12	AN4-14A	. BOLT 172	80984	& ON 01
- 12A	AN4-14A	. BOLT 172S	08704	& ON 01
13	AN3-5A	. BOLT		04
14	NAS1149F0363P	. WASHER 172	80001	81200 04
- 14A	NAS1149F0363P	. WASHER 172S	08001	09568 04
- 14B	NAS1149F0363P	. WASHER 172	81201	& ON 08
- 14C	NAS1149F0363P	. WASHER 172S	09569	& ON 08
15	MS21042L3	. NUT		04
16	0514232-5	. PLATE ASSY 172	80001	81199 01
- 16A	0514232-5	. PLATE ASSY 172S	08001	09567 01
- 16B	0514232-9	. PLATE ASSY 172	81200	& ON 01
- 16C	0514232-9	. PLATE ASSY 172S	9568	& ON 01
17	0514232-2	. RESTRAINT ATTACH PLATE		01
		—*—		
18	0515073-19	. AFT ATTACH BRKT		01
		ATTACHING PARTS		
19	AN4-7A	. BOLT		04
20	NAS1149F0463P	. WASHER		04
		—*—		
- 21	172PBC-MK2501-00	. PASSENGER BRIEFING CARD-USED WITH MANUAL ADJUST RESTRAINT		AR

NOTE 1—AIRPLANES 17280001 AND ON AND AIRPLANES 172S8001 AND ON INCORPORATING MK172-25-01

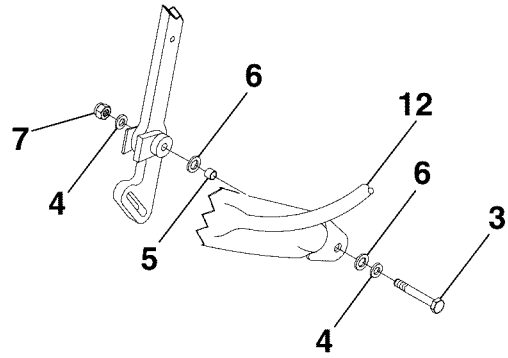
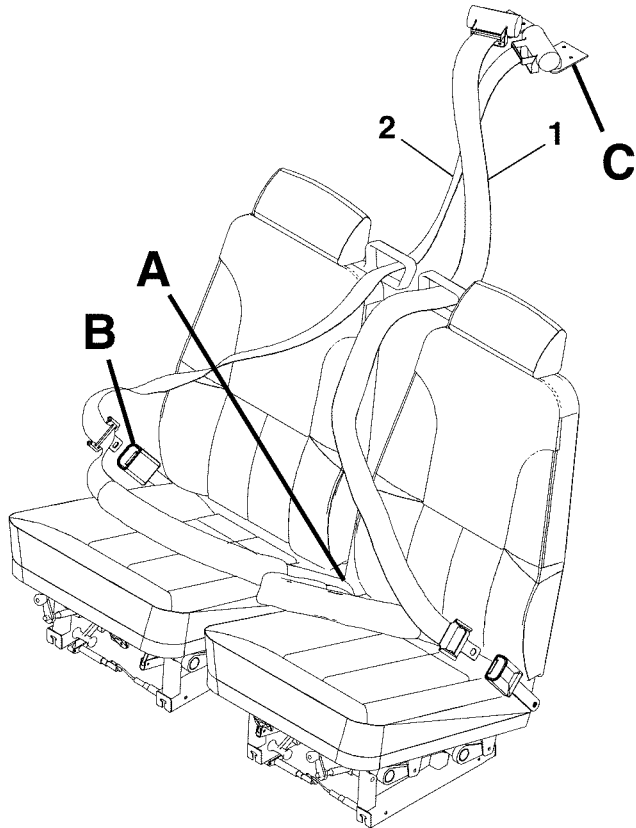
NOTE 2—AIRPLANES 17280761 THRU 17280983 AND AIRPLANES 17280001 THRU 17280760 INCORPORATING MK172-25-02

NOTE 3—AIRPLANES 172S8238 THRU 172S8703 AND AIRPLANES 172S8001 THRU 172S8237 INCORPORATING MK172-25-02

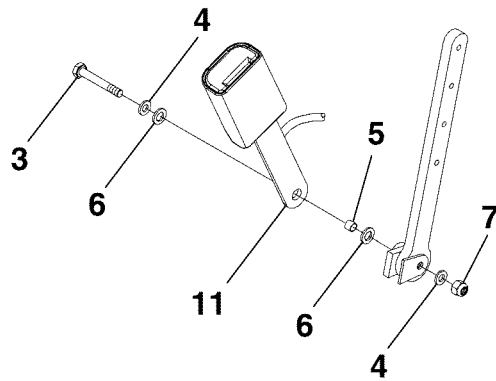
- ITEM NOT ILLUSTRATED

CESSNA AIRCRAFT COMPANY
MODEL 172 (SERIES 1996 AND ON)
 ILLUSTRATED PARTS CATALOG

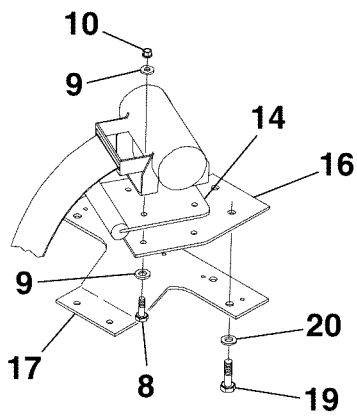
B4061



DETAIL A



DETAIL B



DETAIL C

0510T1007
 A0719T1045
 B0719T1045
 C0519T1047

AMSAFE INFLATABLE RESTRAINT SYSTEM - PILOT AND COPILOT
 FIGURE 01A (SHEET 1)

CESSNA AIRCRAFT COMPANY
MODEL 172 (SERIES 1996 AND ON)
ILLUSTRATED PARTS CATALOG

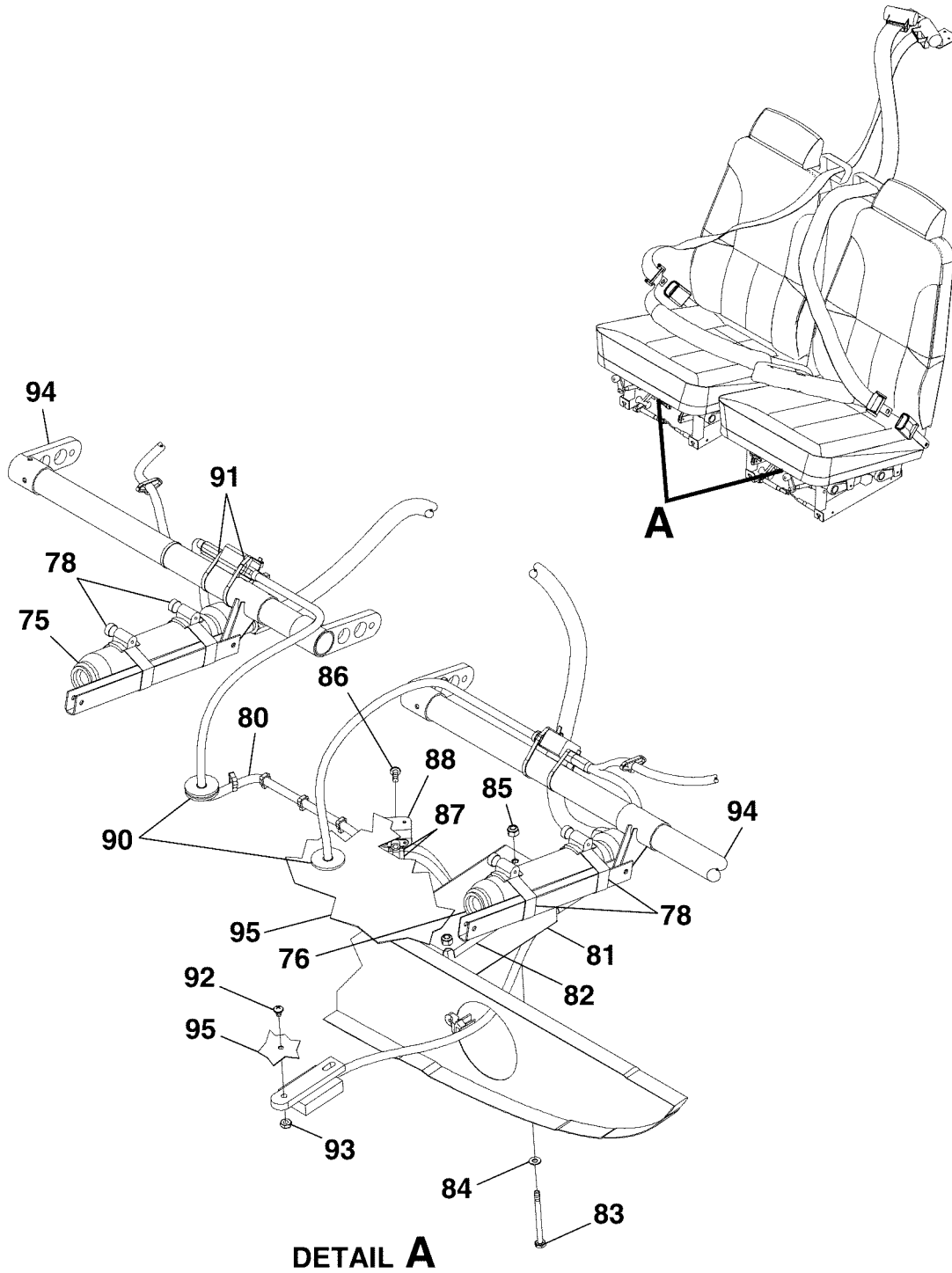
FIG ITEM	PART NUMBER	NOMENCLATURE	UNITS	
			PER	ASSY
		1 2 3 4 5 6 7		
01A		AMSAFE INFLATABLE RESTRAINT SYSTEM - PILOT AND COPILOT		RF
- 1	7035-1-021-8053	. AAIR V23 SEATBELT AIRBAG ASSY-PILOT GRAY 172 REFER TO NOTE 2 . V35FB9 80001	81233	01
- 1A	7035-1-021-8053	. AAIR V23 SEATBELT AIRBAG ASSY-PILOT GRAY 172S REFER TO NOTE 2 . V35FB9 08001	09770	01
- 1B	7035-1-021-8105	. AAIR V23 SEATBELT AIRBAG ASSY-PILOT TAN 172 REFER TO NOTE 1 . V35FB9 81234	& ON	01
- 1C	7035-1-021-8105	. AAIR V23 SEATBELT AIRBAG ASSY-PILOT TAN 172S REFER TO NOTE 1 . V35FB9 09771	& ON	01
2	7035-1-011-8053	. AAIR V23 SEATBELT AIRBAG ASSY-COPILOT GRAY 172 REFER TO NOTE 2 . V35FB9 80001	81233	01
- 2A	7035-1-011-8053	. AAIR V23 SEATBELT AIRBAG ASSY-COPILOT GRAY 172S REFER TO NOTE 2 . V35FB9 08001	09770	01
- 2B	7035-1-011-8105	. AAIR V23 SEATBELT AIRBAG ASSY-COPILOT TAN 172 REFER TO NOTE 1 . V35FB9 81234	& ON	01
- 2C	7035-1-011-8105	. AAIR V23 SEATBELT AIRBAG ASSY-COPILOT TAN 172S REFER TO NOTE 1 . V35FB9 09771	& ON	01
ATTACHING PARTS				
3	AN4-17A	. BOLT		02
4	NAS1149F0463P	. WASHER		04
5	0514232-3	. BUSHING		02
6	NAS1149F0563P	. WASHER		04
7	MS21044N4	. NUT		02
8	AN3-5A	. BOLT		04
9	NAS1149F0363P	. WASHER		08
10	MS21042L3	. NUT		04
- 10A	NAS1291-3	. NUT ALT FOR MS21042L3		04
*—				
11	7035-2010118105	. AIRBAG SEAT BUCKLE ASSY-PILOT & COPILOT LH 172 . V35FB9 81234	81272	02
- 11A	7035-2010118105	. AIRBAG SEAT BUCKLE ASSY-PILOT & COPILOT LH 172S . V35FB9 09771	10102	02
- 11B	7035-2010118096	. AIRBAG SEAT BUCKLE ASSY-PILOT & COPILOT LH 172 . V35FB9 81234	81272	02
- 11C	7035-2010118096	. AIRBAG SEAT BUCKLE ASSY-PILOT & COPILOT LH 172S . V35FB9 09771	10102	02
- 11E	7035-2010218105	. AIRBAG SEAT BUCKLE-PILOT AND COPILOT RH 172 . V35FB9 81234	81272	01 R
- 11F	7035-2010218105	. AIRBAG SEAT BUCKLE-PILOT AND COPILOT RH 172S . V35FB9 09771	10102	01 R
- 11G	7035-2010218096	. AIRBAG SEAT BUCKLE-PILOT AND COPILOT RH 172 . V35FB9 87273	& ON	01 R
- 11H	7035-2010218096	. AIRBAG SEAT BUCKLE-PILOT AND COPILOT RH 172S . V35FB9 10103	11671	01 R
- 11J	7035-201	. AIRBAG SEAT BUCKLE-PILOT AND COPILOT 172S . V35FB9 11672	& ON	01 R
12	7035-2030118053	. THREE-POINT AIR BAG BELT-COPILOT GRAY 172 REFER TO NOTE 2 . V35FB9 80001	81233	01
- 12A	7035-2030118053	. THREE-POINT AIR BAG BELT-COPILOT GRAY 172S REFER TO NOTE 2 . V35FB9 08001	09770	01
- 12B	7035-2030118105	. THREE-POINT AIR BAG BELT-COPILOT TAN 172 REFER TO NOTE 1 . V35FB9 81234	& ON	01
- 12C	7035-2030118105	. THREE-POINT AIR BAG BELT-COPILOT TAN 172S REFER TO NOTE 1 . V35FB9 09771	& ON	01
- 13	7035-2040218053	. THREE-POINT AIR BAG BELT-PILOT GRAY 172 REFER TO NOTE 2 . V35FB9 80001	81233	01
- 13A	7035-2040218053	. THREE-POINT AIR BAG BELT-PILOT GRAY 172S REFER TO NOTE 2 . V35FB9 08001	09770	01
- 13B	7035-2040218105	. THREE-POINT AIR BAG BELT-PILOT TAN 172 REFER TO NOTE 1 . V35FB9 81234	& ON	01
- 13C	7035-2040218105	. THREE-POINT AIR BAG BELT-PILOT TAN 172S REFER TO NOTE 1 . V35FB9 09771	& ON	01
14	0514232-9	. PLATE ASSY		02 R
- 15	0514232-6	. RUB BLOCK		01 R
16	0514232-2	. RESTRAINT ATTACH PLATE		02 R
17	0515073-19	. AFT ATTACH BRACKET ASSY		01 R
- 18	MS21060L08	. NUTPLATE		02 R
ATTACHING PARTS				
19	AN4-7A	. BOLT		04 R
20	NAS1149F0463P	. WASHER		04 R
*—				

NOTE 1—AIRPLANES 17281234 AND ON AND AIRPLANES 172S09771 AND ON AND AIRPLANES 17280001 THRU 17281233 AND AIRPLANES 172S08001 THRU 172S09770 INCORPORATING MK172-25-09.

NOTE 2—AIRPLANES 17280001 THRU 17281233 AND AIRPLANES 172S08001 THRU 172S09770 INCORPORATING MK172-25-09.

CESSNA AIRCRAFT COMPANY
MODEL 172 (SERIES 1996 AND ON)
ILLUSTRATED PARTS CATALOG

B21301



A0519T1094

AMSAFE INFLATABLE RESTRAINT SYSTEM - PILOT AND COPILOT
FIGURE 01A (SHEET 2)

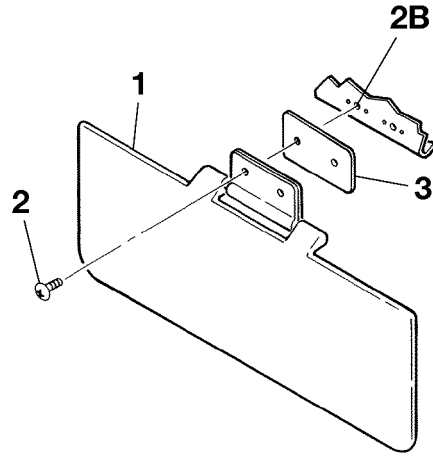
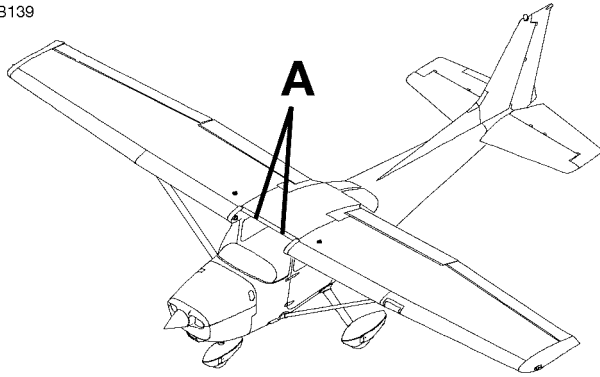
CESSNA AIRCRAFT COMPANY
MODEL 172 (SERIES 1996 AND ON)
ILLUSTRATED PARTS CATALOG

FIG ITEM	PART NUMBER	NOMENCLATURE	UNITS PER ASSY	
			1 2 3 4 5 6 7	
01A				
75	508792-401	. INFLATOR ASSEMBLY-COPILOT V35FB9	81234	& ON 01 R
			09771 11671	
76	508794-401	. INFLATOR ASSEMBLY-PILOT V35FB9	81234	& ON 01 R
			09771 11671	
- 76A	512847-401	. INFLATOR ASSEMBLY-PILOT AND COPILOT	11672	& ON 02 R
- 77	513825-201	. FITTING ASSEMBLY- O DEG, SWIVEL 172S	11672	& ON 01 R
- 77A	513104-201	. FITTING ASSEMBLY-90 DEG, SWIVEL 172S	11672	& ON 01 R
		ATTACHING PARTS		
78	S1891-24	. CLAMP		02 R
		—*—		
- 79	S51-20-4	. HOSE	11672	& ON 01 R
80	508976-201	. CABLE INTERFACE ASSEMBLY V35FB9		01 R
81	508358-409	. ELECTRONICS MODULE ASSEMBLY V35FB9		01 R
		ATTACHING PARTS		
82	1219115-4	. EMA STIFFENER		01 R
83	AN3-23A	. BOLT		04 R
84	NAS1149F0332P	. WASHER		04 R
85	MS21044N3	. NUT		04 R
		—*—		
86	MS35207-263	. SCREW		01 R
87	MS21919WDG4	. CLAMP		02 R
88	0719092-4	. CLIP ASSY		01 R
- 89	MS21047L3	. . NUTPLATE		01 R
90	MS35489-12	. GROMMET		02 R
91	MS3367-5-0	. STRAP		AR R
92	MS35207-259	. SCREW		02 R
93	AN315-3R	. NUT		02 R
94		. SEAT ASSY REFER TO 25-10-00 FIGURE 02		RF R
95		. FLOORBOARD REFER TO 53-10-00 FIGURE 01		RF R

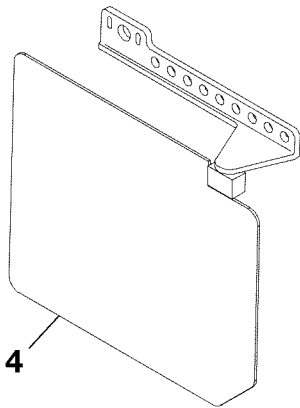
- ITEM NOT ILLUSTRATED

CESSNA AIRCRAFT COMPANY
MODEL 172 (SERIES 1996 AND ON)
ILLUSTRATED PARTS CATALOG

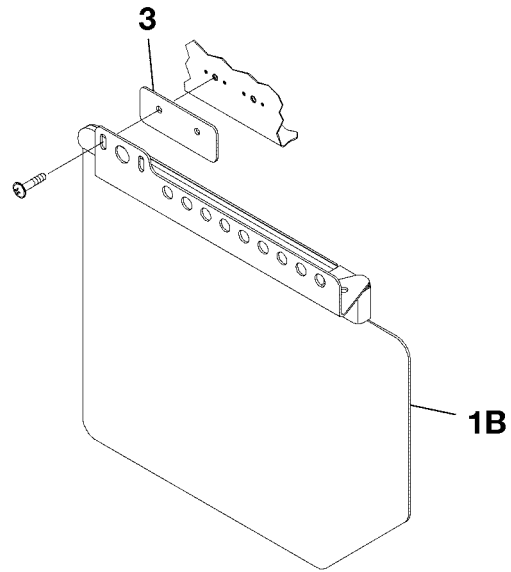
B139



DETAIL A



DETAIL A



DETAIL A

SUNVISOR INSTALLATION
FIGURE 01 (SHEET 1)

0510T1007
A0519T1041
A0519T1087
A0919T1007

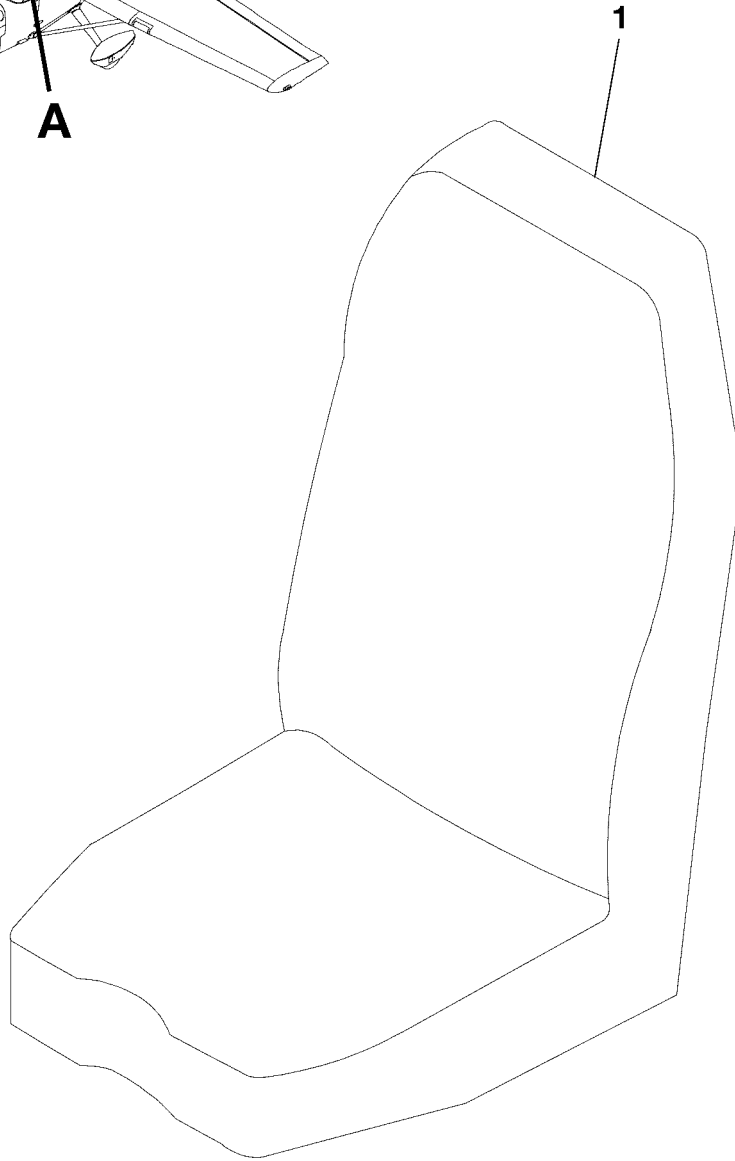
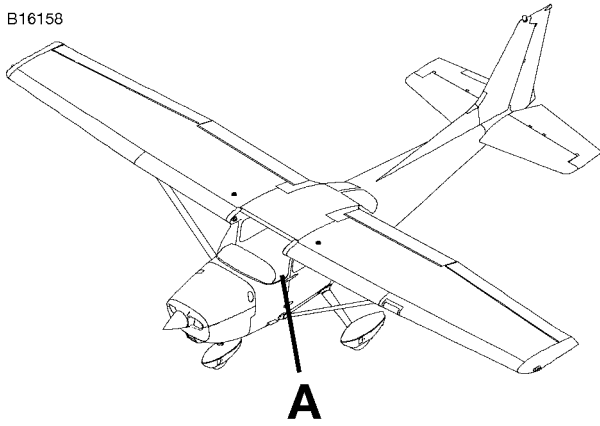
CESSNA AIRCRAFT COMPANY
MODEL 172 (SERIES 1996 AND ON)
 ILLUSTRATED PARTS CATALOG

FIG ITEM	PART NUMBER	NOMENCLATURE	UNITS PER ASSY	
			1 2 3 4 5 6 7	
01		SUNVISOR INSTALLATION		RF
-				
1	CJ1000-1	. SUNVISOR ASSY-LH AND RH 172	V0SX36 80001	80983 02
- 1A	CJ1000-1	. SUNVISOR ASSY-LH AND RH 172S	V0SX36 08001	08371 02
1B	RCS-300-2	. SUNVISOR ASSY-LH AND RH MILLENIUM OPT 172 REFER TO NOTE 1	VRPDE 80984	81544 NP R
		FSO VA13100		
- 1C	RCS-300-2	. SUNVISOR ASSY-LH AND RH MILLENIUM OPT 172S REFER TO NOTE 1	VRPDE 08372	08590 NP R
		FSO VA13100	08704	10890
- 1D	RCS200-1	. . VISOR LENS		01 R
		ATTACHING PARTS		
2	AN525-10R14	. SCREW 172	80001	80983 02
- 2A	AN525-10R14	. SCREW 172S	08001	08371 02
		—*—		
2B	MS21047L3	. NUTPLATE		02
3	0514178-1	. SHIM-LH AND RH		02
4	VA13100	. SUNVISOR ASSY (KIT) 172 REFER TO NOTE 1	V1XE65 81545	& ON 01
- 5	VA13100	. SUNVISOR ASSY (KIT) 172S REFER TO NOTE 1	V1XE65 10891	& ON 01
- 5A	13115-3	. . VISOR LENS		01 R

NOTE 1—HARDWARE TO INSTALL SUNVISOR IS PROVIDED BY SUPPLIER

CESSNA AIRCRAFT COMPANY
MODEL 172 (SERIES 1996 AND ON)
ILLUSTRATED PARTS CATALOG

B16158



DETAIL A

SHEEPSKIN SLIPCOVERS
FIGURE 01 (SHEET 1)

0510T1007
A0719T1122

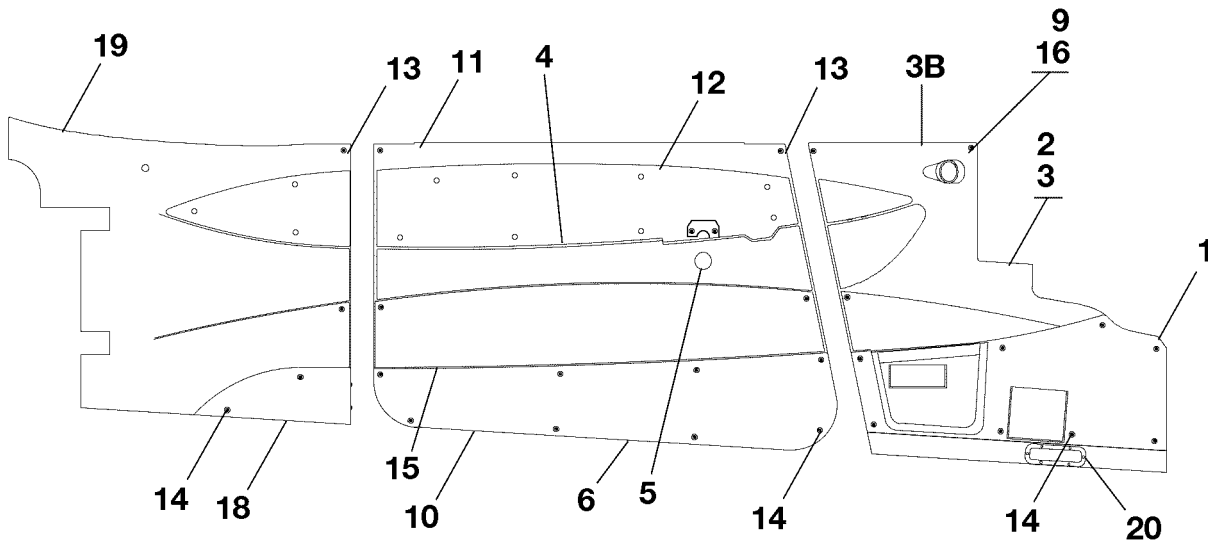
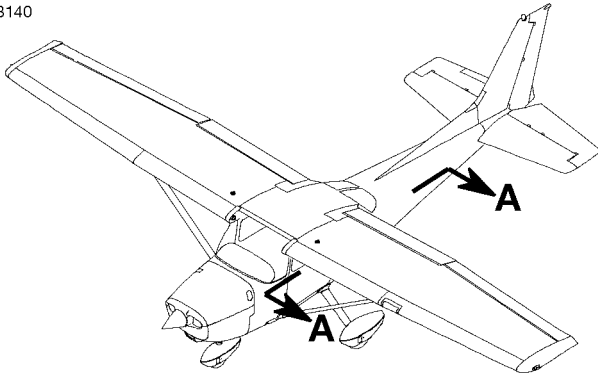
CESSNA AIRCRAFT COMPANY
MODEL 172 (SERIES 1996 AND ON)
 ILLUSTRATED PARTS CATALOG

FIG ITEM	PART NUMBER	NOMENCLATURE	UNITS
			PER ASSY
01			
-		SHEEPSKIN SLIPCOVERS -CREW SEATS	RF R
- 1	0719133-1	. SLIP COVER ASSEMBLY-LH MINK	01 R
- 1A	0719133-5	. . SLIP COVER-LH MINK	01 R
- 1B	0719133-9	. . SHEEPSKIN-LH BAMBOO	01 R
- 2	0719133-2	. SLIP COVER ASSEMBLY-RH MINK	01 R
- 2A	0719133-6	. . SLIP COVER-RH MINK	01 R
- 2B	0719133-10	. . SHEEPSKIN-RH BAMBOO	01 R
- 3	0719133-3	. SLIP COVER ASSEMBLY-LH PEBBLE	01 R
- 3A	0719133-7	. . SLIP COVER-LH PEBBLE	01 R
- 3B	0719133-9	. . SHEEPSKIN-LH BAMBOO	01 R
- 4	0719133-4	. SLIP COVER ASSEMBLY-RH PEBBLE	01 R
- 4A	0719133-8	. . SLIP COVER-RH PEBBLE	01 R
- 4B	0719133-10	. . SHEEPSKIN-RH BAMBOO	01 R

- ITEM NOT ILLUSTRATED

CESSNA AIRCRAFT COMPANY
MODEL 172 (SERIES 1996 AND ON)
ILLUSTRATED PARTS CATALOG

B140



VIEW A-A
LEFT HAND SIDE
AIRPLANES 17280001 THRU 17280983 AND
AIRPLANES 172S8001 THRU 172S8703

SIDE UPHOLSTERY- LEFT
FIGURE 01 (SHEET 1)

0510T1007
AA0519T1042

CESSNA AIRCRAFT COMPANY
MODEL 172 (SERIES 1996 AND ON)
ILLUSTRATED PARTS CATALOG

FIG ITEM	PART NUMBER	NOMENCLATURE	UNITS		
			PER	ASSY	
01		SIDE UPHOLSTERY- LEFT			
-			80001	80983	RF
			08001	08703	
1	0515075-33	. PANEL ASSY-LH FWD ACCENT VINYL 172	80001	80781	01
- 1A	0515075-83	. PANEL ASSY-LH FWD ACCENT KYDEX 172	80782	80983	01
- 1B	0515075-33	. PANEL ASSY-LH FWD ACCENT VINYL 172S	08001	08268	01
- 1C	0515075-83	. PANEL ASSY-LH FWD ACCENT KYDEX 172S	08269	08703	01
2	0515075-69	. PANEL ASSY-LH FWD VINYL 172	80001	80781	01
- 2A	0515075-89	. PANEL ASSY-LH FWD KYDEX 172	80782	80983	01
- 2B	0519006-9	. INSERT ASSY-LH FWD PERFORATED LEATHER 172S	08372	08590	01
- 2C	0515075-69	. PANEL ASSY-LH FWD VINYL 172S	08001	08268	01
- 2D	0515075-89	. PANEL ASSY-LH FWD KYDEX 172S	08269	08703	01
3	0515075-75	. SIDE PANEL CLOSEOUT-LH 172	80001	80983	01
- 3A	0515075-75	. SIDE PANEL CLOSEOUT-LH 172S	08001	08703	01
3B	S2108-1	. PAD			02
- 3C	0515075-65	. BRACKET			01
- 3D	0523231-24	. BRACKET			01
4	CJ1031-1	. ARMREST DOOR-LH 172	80889	80983	01
- 4A	CJ1031-1	. ARMREST DOOR-LH 172S	08419	08703	01
		ATTACHING PARTS			
- 4B	MS35206-250	. SCREW			03
- 4C	NAS1149F0363P	. WASHER NEXT TO SCREW HEAD			03
- 4D	NAS1149F0463P	. WASHER BETWEEN WASHER AND ARMREST			03
5	0515075-13	. PLUG-LH DOOR HANDLE VINYL 172	80001	80888	01
- 5A	CJ1030-4	. PLUG-LH DOOR HANDLE 172	80889	80983	01
- 5B	0515075-79	. PLUG-LH DOOR HANDLE 172	80726	80888	01
- 5C	0515075-13	. PLUG-LH DOOR HANDLE 172S	08001	08418	01
- 5D	CJ1030-4	. PLUG-LH DOOR HANDLE 172S	08419	08703	01
- 5E	0515075-79	. PLUG-LH DOOR HANDLE 172S	08202	08418	01
6	S3392-1	. U CLAMP MOLDING-TAUPE 037X.50 FSO CM3902-8			NP
- 6A	S3392-2	. U CLAMP MOLDING-GREY 037X.50 FSO CM3902-9			NP
- 6B	S3392-3	. U CLAMP MOLDING-BEIGE 037X.50 FSO CM3902-10			NP
- 6C	CM3902-8	. EXTRUSION			AR
- 6D	CM3902-9	. EXTRUSION			AR
- 6E	CM3902-10	. EXTRUSION			AR
- 7		. DELETED-NOT USED			
- 8		. DELETED-NOT USED			
9	S4213-1	. CLIP NUT-LH AND RH			02
10	0515075-51	. PANEL-LH DOOR ACCENT 172	80001	80781	01
- 10A	0515075-85	. PANEL-LH DOOR ACCENT KYDEX 172	80782	80888	01
- 10B	0515075-51	. PANEL-LH DOOR ACCENT 172S	08001	08268	01
- 10C	0515075-85	. PANEL-LH DOOR ACCENT KYDEX 172S	08269	08703	01
11	0515075-19	. PANEL-LH DOOR 172	80001	80781	01
- 11A	0515075-19	. PANEL-LH DOOR 172S	08001	08263	01
- 11B	0515075-51	. PANEL-LH DOOR VINYL 172	80001	80781	01
- 11C	0515075-51	. PANEL-LH DOOR VINYL 172S	08001	08268	01
- 11D	0519003-3	. PANEL-LH 172	80782	80888	01 R
- 11E	0519003-3	. PANEL-LH 172S	08269	08418	01 R
12	0515075-11	. PANEL ASSY-LH DOOR INSERT VINYL 172	80001	80983	01
- 12A	0519001-5	. PANEL ASSY-LH DOOR INSERT VINYL 172	80889	80983	01
- 12B	0515075-11	. PANEL ASSY-LH DOOR INSERT VINYL 172S	08001	08418	01
- 12C	0519001-5	. PANEL ASSY-LH DOOR INSERT VINYL 172S	08419	08703	01
- 12D	0519006-11	. PANEL ASSY-LH DOOR INSERT PERFORATED LEATHER 172S	08372	08509	01
13	S1021A4-10D	. SCREW-TAUPE			60
- 13A	OHCW4SM6DS64GY	. SCREW FSO S3928-4-6T GRAY INCLUDES WASHER ALT REFER TO NOTE 1			AR
- 13B	OHCW4SM6DS15BN	. SCREW ASSY-INCLUDES WASHER USE WITH PERFORATED LEATHER FSO S3928-4-6Y			50
- 13C	OHCW4SM8DS15BN	. SCREW ASSY-INCLUDES WASHER USE WITH PERFORATED LEATHER FSO S3928-4-8Y			50
14	S1021A4-10G	. SCREW-TAUPE			60
15	0519001-7	. DOOR PANEL-LH KYDEX 172	80889	80983	01
- 15A	0519001-7	. DOOR PANEL-LH KYDEX 172S	08419	08703	01
16	S1021A4-10E	. SCREW PAN HEAD GRAY REFER TO NOTE 2			36
- 16A	S1021A4-10D	. SCREW-TAUPE			36
- 17	S1021A4-16E	. SCREW PAN HEAD GRAY			12
- 17A	S1021A4-16D	. SCREW-TAUPE			12
18	S1021A4-6E	. SCREW PAN HEAD GRAY			36
- 18A	S1021A4-6D	. SCREW-TAUPE			36
19	S1021A4-8E	. SCREW PAN HEAD GRAY			12
- 19A	S1023A4-10J	. SCREW HEAT OUTLET			01
- 19B	S1021A4-8D	. SCREW-TAUPE			12
20	S1023A4-10J	. SCREW HEAT OUTLET			01

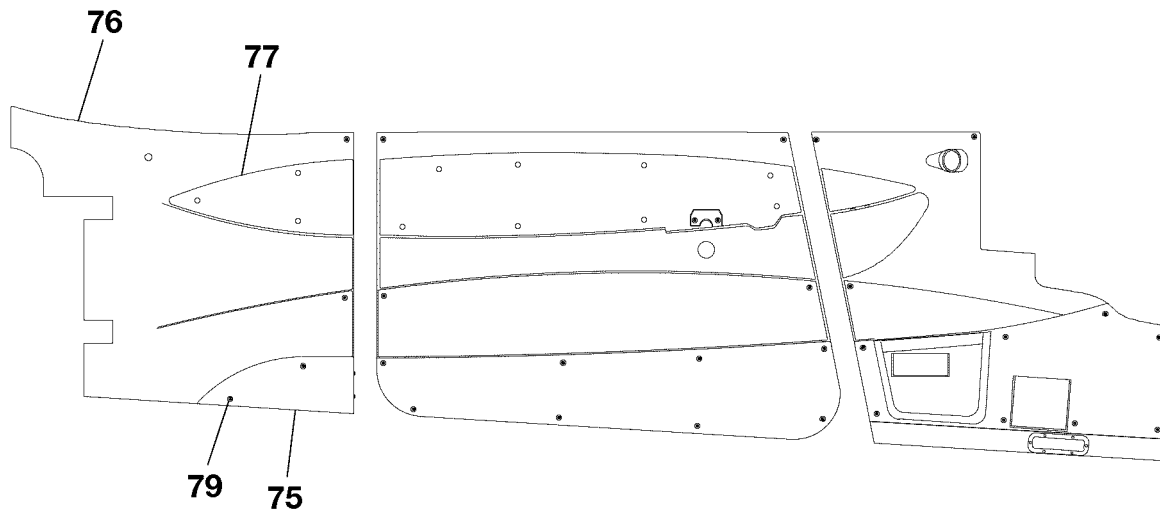
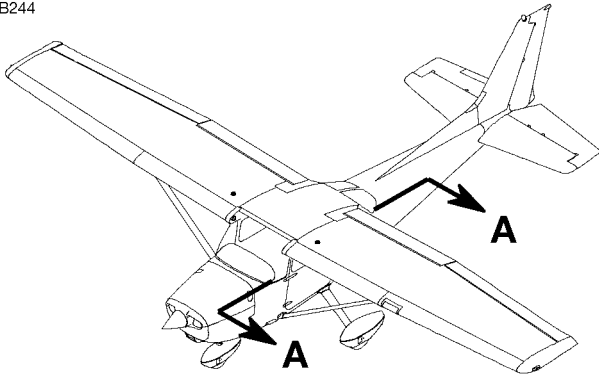
NOTE 1—USE OHCWLTYPE SCREWS WITH LARGE WASHER FOR USE WITH FABRIC

NOTE 2—USE SCREW LENGTH AS REQUIRED (6, 8, 10, 12) ON INSTALLATION OF ACCENT PANEL.

- ITEM NOT ILLUSTRATED

CESSNA AIRCRAFT COMPANY
MODEL 172 (SERIES 1996 AND ON)
ILLUSTRATED PARTS CATALOG

B244



VIEW A-A

LEFT HAND SIDE

AIRPLANES 17280001 THRU 17280983 AND
AIRPLANES 172S8001 THRU 172S8703

0510T1007
AA05519T1042

SIDE UPHOLSTERY- LEFT
FIGURE 01 (SHEET 2)

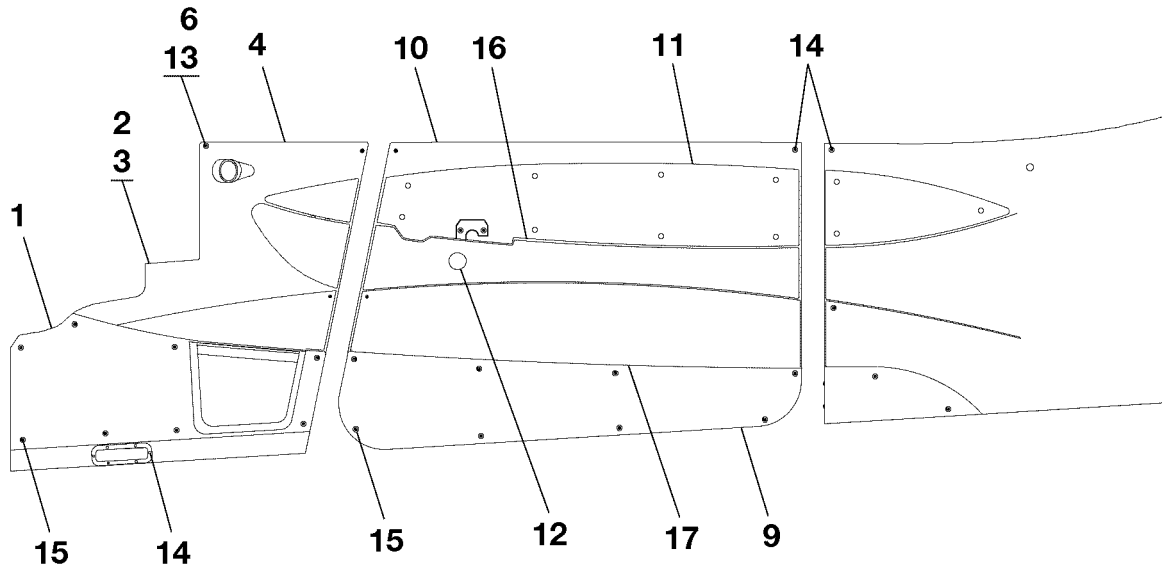
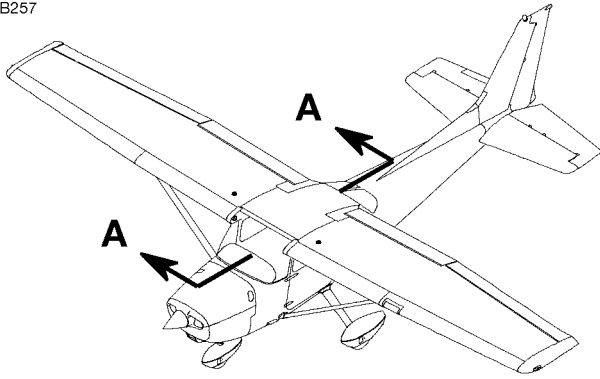
CESSNA AIRCRAFT COMPANY
MODEL 172 (SERIES 1996 AND ON)
 ILLUSTRATED PARTS CATALOG

FIG ITEM	PART NUMBER	NOMENCLATURE	UNITS	
			PER	ASSY
01				
75	0515075-57	. PANEL-LH AFT ACCENT VINYL 172	80001	80888 01
- 75A	0515075-87	. PANEL-LH AFT ACCENT KYDEX 172	80782	80983 01
- 75B	0515075-57	. PANEL-LH AFT ACCENT VINYL 172S	08001	08148 01
- 75C	0515075-87	. PANEL-LH AFT ACCENT KYDEX 172S	08269	08703 01
76	0515075-97	. PANEL-LH AFT KYDEX		01
- 76A	0515075-17	. PANEL-LH AFT VINYL 172	80001	80888 01
- 76B	0515075-17	. PANEL-LH AFT VINYL 172S	08001	08148 01
77	0515075-9	. PANEL ASSY-LH AFT VINYL INSERT		01
- 78	0519006-13	. PANEL ASSY-LH AFT INSERT PERFORATED LEATHER 172S	08372	08590 01
79	S1021A4-10G	. SCREW-TAUPE		60
- 80	U065033	. ADHESIVE TAPE BKI FSO U065043		NP
- 80A	U065043	. ADHESIVE TAPE BKI		AR
- 81	U065034	. ADHESIVE TAPE BKI		AR
- 82	WP-3281	. PAINT-GREY TRIM V32063		NP
- 83	WP-3276	. PAINT-TAUPE TRIM V32063		NP
- 84	WP-3282	. PAINT-BEIGE TRIM V32063		NP

- ITEM NOT ILLUSTRATED

CESSNA AIRCRAFT COMPANY
MODEL 172 (SERIES 1996 AND ON)
ILLUSTRATED PARTS CATALOG

B257



VIEW A-A
RIGHT HAND SIDE
AIRPLANES 17280001 THRU 17280983 AND
AIRPLANES 172S8001 THRU 172S8703

SIDE UPHOLSTERY-RIGHT
FIGURE 02 (SHEET 1)

0510T1007
AA0519T1042

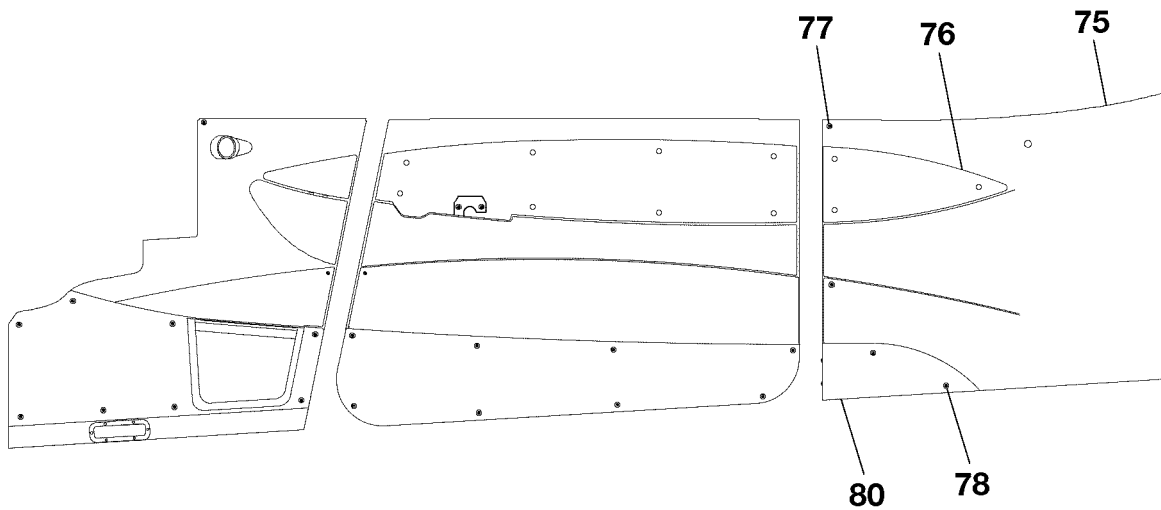
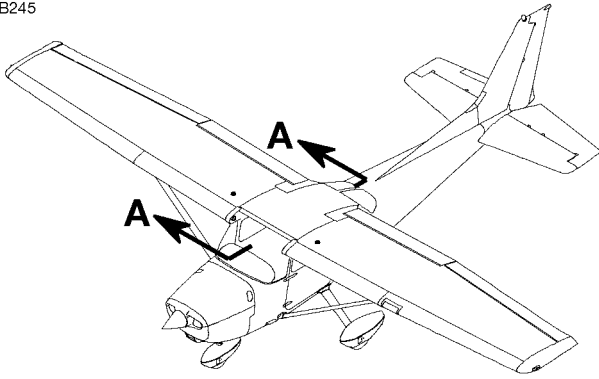
CESSNA AIRCRAFT COMPANY
MODEL 172 (SERIES 1996 AND ON)
ILLUSTRATED PARTS CATALOG

FIG ITEM	PART NUMBER	NOMENCLATURE	UNITS		
			PER	ASSY	
		1 2 3 4 5 6 7			
02		SIDE UPHOLSTERY-RIGHT	80001	80983	RF
-			08001	08703	
1	0515075-34	. PANEL ASSY-RH FWD ACCENT 172	80001	80781	01
- 1A	0515075-84	. PANEL ASSY-RH FWD ACCENT VINYL 172	80782	80983	01
- 1B	0515075-34	. PANEL ASSY-RH FWD ACCENT 172S	08001	08268	01
- 1C	0515075-84	. PANEL ASSY-RH FWD ACCENT VINYL 172S	08269	08703	01
2	0515075-68	. PANEL ASSY-RH FWD VINYL 172	80001	80781	01
- 2A	0515075-98	. PANEL ASSY-RH FWD KYDEX 172	80782	80983	01
- 2B	0515075-68	. PANEL ASSY-RH FWD VINYL 172S	08001	08269	01
- 2C	0515075-98	. PANEL ASSY-RH FWD KYDEX 172S	08269	08703	01
- 2D	0519006-8	. PANEL ASSY-RH FWD PERFORATED LEATHER 172S	08372	08590	01
3	0515075-74	. SIDE PANEL CLOSEOUT-RH			01
4	0515075-65	. BRACKET-LH			01
- 4A	0523231-24	. BRACKET			01
- 5		. DELETED-NOT USED			
6	S4213-1	. CLIP NUT-LH AND RH			02 R
- 7	S3392-2	. U CLAMP MOLDING -GREY 037X.50 FSO CM3902-9			NP
- 7A	S3392-1	. U CLAMP MOLDING-TAUPE 037X.50 FSO CM3902-8			NP
- 7B	S3392-3	. U CLAMP MOLDING -BEIGE 037X.50 FSO CM3902-10			NP
- 7C	CM3902-8	. EXTRUSION			AR
- 7D	CM3902-9	. EXTRUSION			AR
- 7E	CM3902-10	. EXTRUSION			AR
- 8	CJ1030-4	. PLUG LH DOOR HANDLE 172	80889	80983	01
- 8A	CJ1030-4	. PLUG LH DOOR HANDLE 172S	08419	08703	01
9	0515075-86	. PANEL-RH DOOR ACCENT			01
- 9A	0515075-52	. PANEL-RH DOOR ACCENT VINYL 172	80001	80781	01
- 9B	0515075-52	. PANEL-RH DOOR ACCENT VINYL 172S	08001	08268	01
10	0515075-20	. PANEL-RH DOOR 172	80001	80781	01
- 10A	0519003-4	. PANEL-RH DOOR 172	80782	80888	01
- 10B	0519001-7	. PANEL-RH DOOR 172	80889	80983	01
- 10C	0515075-20	. PANEL-RH DOOR 172S	08001	08268	01
- 10D	0519003-4	. PANEL-RH DOOR 172S	08269	08418	01
- 10E	0519001-7	. PANEL-RH DOOR 172S	08419	08703	01
11	0515075-12	. PANEL ASSY-RH DOOR INSERT 172	80001	80888	01
- 11A	0519001-6	. PANEL ASSY-RH DOOR INSERT 172	80889	80983	01
- 11B	0515075-12	. PANEL ASSY-RH DOOR INSERT 172S	08001	80418	01
- 11C	0519001-6	. PANEL ASSY-RH DOOR INSERT 172S	08419	08703	01
- 11D	0519006-10	. PANEL ASSY-RH DOOR INSERT PERFORATED LEATHER 172S	08372	08590	01
12	0515075-78	. PLUG-RH DOOR HANDLE 172	80726	80888	01
- 12A	0515075-14	. PLUG-RH DOOR HANDLE 172	80001	80725	01
- 12B	0515075-78	. PLUG-RH DOOR HANDLE 172S	08202	08418	01
- 12C	0515075-14	. PLUG-RH DOOR HANDLE 172S	08001	08201	01
13	S1021A4-10E	. SCREW PAN HEAD GRAY			36
14	S1023A4-10J	. SCREW HEAT OUTLET			01
15	S1021A4-10G	. SCREW-GRAY			01
16	CJ1030-1	. ARMREST DOOR RH 172	80889	80983	01
- 16A	CJ1030-1	. ARMREST DOOR RH 172S	08419	08703	01
		ATTACHING PARTS			
- 16B	MS35206-250	. SCREW			03
- 16C	NAS1149F0363P	. WASHER-NEXT TO SCREW HEAD			03
- 16D	NAS1149F0463P	. WASHER-BETWEEN WASHER & ARMREST			03
17	0519001-8	. DOOR PANEL-RH 172	80889	80983	01
- 17A	0519001-8	. DOOR PANEL-RH 172S	80419	08703	01

- ITEM NOT ILLUSTRATED

CESSNA AIRCRAFT COMPANY
MODEL 172 (SERIES 1996 AND ON)
ILLUSTRATED PARTS CATALOG

B245



VIEW A-A

AIRPLANES 17280001 THRU 17280983 AND
AIRPLANES 172S8001 THRU 172S8703

SIDE UPHOLSTERY-RIGHT
FIGURE 02 (SHEET 2)

0510T1007
AA0519T1042

CESSNA AIRCRAFT COMPANY
MODEL 172 (SERIES 1996 AND ON)
ILLUSTRATED PARTS CATALOG

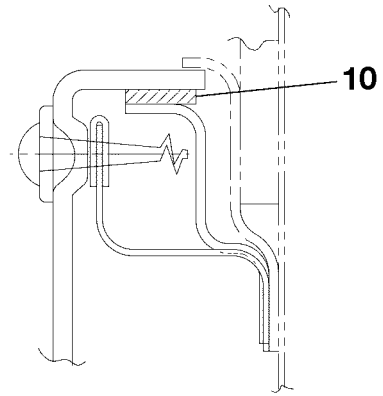
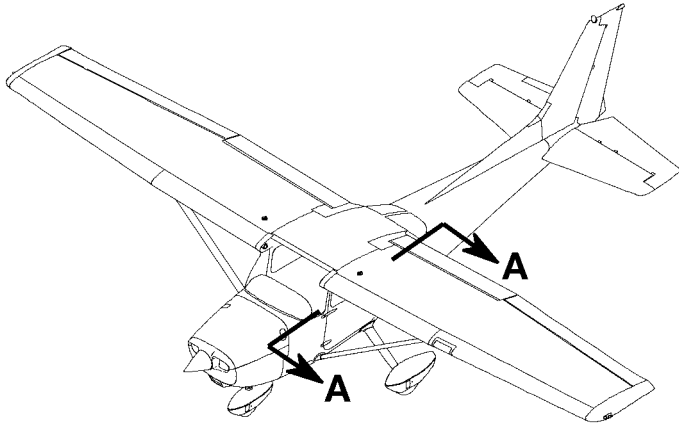
FIG ITEM	PART NUMBER	NOMENCLATURE	UNITS	
			PER	ASSY
02				
75	0515075-18	. PANEL-RH AFT 172	80001	80781 01
- 75A	0515075-102	. PANEL-RH AFT 172	80782	80983 01
- 75B	0515075-18	. PANEL-RH AFT 172S	08001	08268 01
- 75C	0515075-102	. PANEL-RH AFT 172S	08269	08703 01
76	0515075-10	. PANEL ASSY-RH AFT INSERT 172	80001	80983 01
- 76A	0515075-10	. PANEL ASSY-RH AFT INSERT 172S	08001	08703 01
- 76B	0519006-12	. PANEL ASSY-RH AFT INSERT PERFORATED LEATHER 172S	08372	08590 01
77	S1021A4-10D	. SCREW-GRAY 172	80001	80781 AR
- 77A	S1021A4-10D	. SCREW-GRAY 172S	08001	08268 AR
- 77B	S1021A4-10D	. SCREW-TAUPE 172	80001	80781 60
- 77C	S1021A4-10D	. SCREW-TAUPE 172S	08001	08268 60
- 77D	OHCW4SM8DS15BN	. SCREW ASSY-USE WITH PERFORATED LEATHER 172S MILLENIUM FSO S3928-4-8Y	08372	08590 50
- 77E	OHCW4SM6DS64GY	. SCREW-FSO S3928-4-6T GRAY REFER TO NOTE 1 AND NOTE 2		AR
78	S1021A4-10G	. SCREW-GRAY		AR
- 79		. DELETED-NOT USED		
80	0515075-58	. PANEL-RH AFT ACCENT 172	80001	80781 01
- 80A	0515075-88	. PANEL-RH AFT ACCENT 172	80782	80983 01
- 80B	0515075-58	. PANEL-RH AFT ACCENT 172S	08001	08268 01
- 80C	0515075-88	. PANEL-RH AFT ACCENT 172S	08269	08703 01
- 81	S1021A4-16D	. SCREW-TAUPE 172	80001	80781 12
- 81A	S1021A4-16D	. SCREW-TAUPE 172S	08001	08268 12
- 81B	S1021A4-16E	. SCREW PAN HEAD GRAY 172	80782	80983 12
- 81C	S1021A4-16E	. SCREW PAN HEAD GRAY 172S	08269	08703 12
- 82	S1021A4-6D	. SCREW-TAUPE 172	80001	80781 36
- 82A	S1021A4-6D	. SCREW-TAUPE 172S	08001	08268 36
- 82B	S1021A4-6E	. SCREW PAN HEAD GRAY 172	80782	80983 36
- 82C	S1021A4-6E	. SCREW PAN HEAD GRAY 172S	08269	08703 36
- 83	S1021A4-8D	. SCREW-TAUPE 172	80001	80781 12
- 83A	S1021A4-8D	. SCREW-TAUPE 172S	08001	08268 12
- 84	S1021A4-8E	. SCREW PAN HEAD GRAY 172	80782	80983 12
- 84A	S1021A4-8E	. SCREW PAN HEAD GRAY 172S	08269	08703 12
- 85	U065033	. ADHESIVE TAPE BKI		AR
- 86	U065034	. ADHESIVE TAPE BKI		AR
- 87	P840101	. TRANSFER TAPE BKI		AR
- 88	WP-3281	. PAINT- GREY TRIM	V32063	NP
- 89	WP-3282	. PAINT - BEIGE TRIM	V32063	NP
- 89A	WP-3276	. PAINT -TAUPE TRIM	V32063	NP

NOTE 1—FOR INSTALLATION OF PARTS WITH KYDEX COVERED VINYL, USE "OHCW" TYPE SCREWS. FOR INSTALLATION OF PARTS WITH SUBSTRATE COVERED WITH FOAM AND FABRIC, USE "OHCWL" TYPE SCREWS.

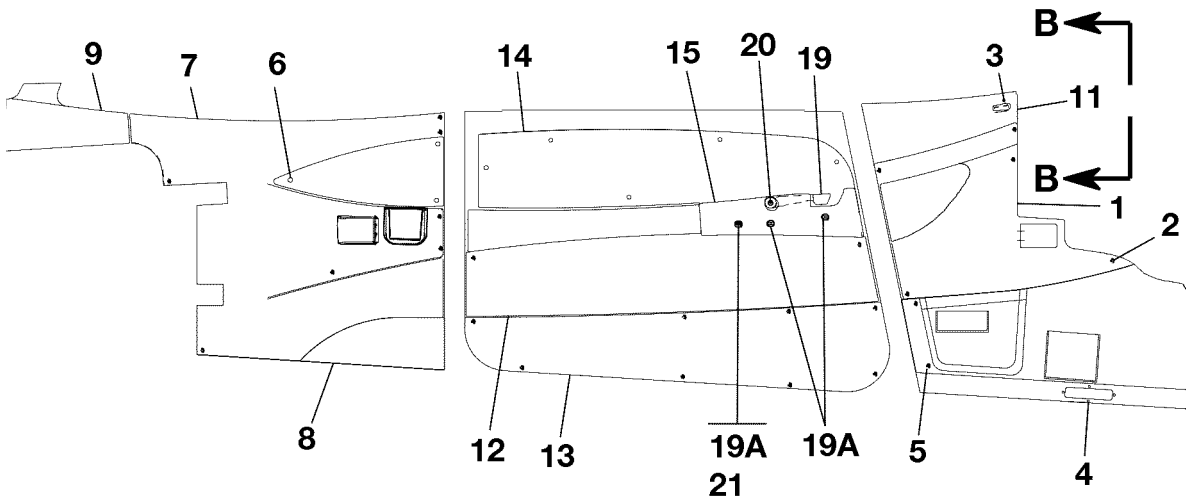
NOTE 2—USE SCREW LENGTH AS REQUIRED (6, 8, 10, 12) ON INSTALLATION OF ACCENT PANEL

CESSNA AIRCRAFT COMPANY
MODEL 172 (SERIES 1996 AND ON)
 ILLUSTRATED PARTS CATALOG

B3371



VIEW B-B



VIEW A-A

AIRPLANES 17280984 THRU 17281200 AND
 AIRPLANES 172S8704 THRU 172S9568

SIDE UPHOLSTERY-LEFT
 FIGURE 03 (SHEET 1)

0510T1007
 AA0519T1064
 BB0519T1065

CESSNA AIRCRAFT COMPANY

MODEL 172 (SERIES 1996 AND ON)

ILLUSTRATED PARTS CATALOG

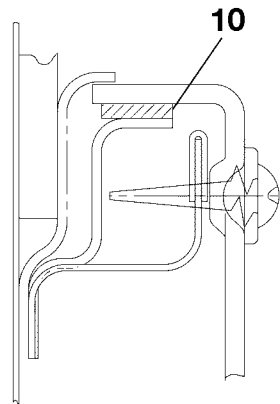
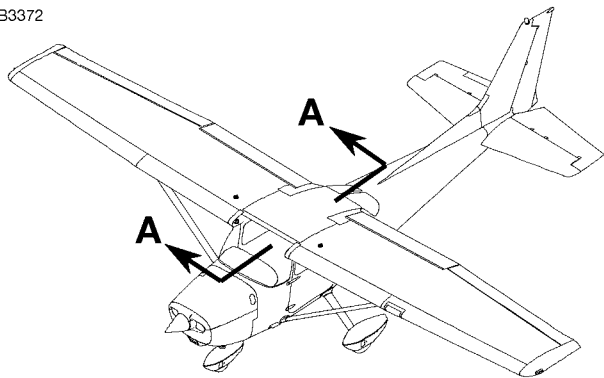
FIG ITEM	PART NUMBER	NOMENCLATURE	UNITS PER ASSY		
			1	2	3
03					
-		SIDE UPHOLSTERY-LEFT	80984	81200	RF
			08704	09568	
1	0519033-1	. PANEL ASSY-LH FWD FSO 0519049-1 172	80984	81074	NP
- 1A	0519033-1	. PANEL ASSY-LH FWD FSO 0519049-1 172S	08704	08908	NP
- 1B	0519049-1	. PANEL ASSY-LH FWD 172	81075	81200	01
- 1C	0519049-1	. PANEL ASSY-LH FWD 172S	08909	09568	01
2	S1021A4-6M	. SCREW-PAN HEAD REFER TO NOTE 2			AR
- 2A	S1021A4-8M	. SCREW-PAN HEAD REFER TO NOTE 2			AR
- 2B	S1021A4-10M	. SCREW-PAN HEAD REFER TO NOTE 2			AR
3	S4213-1	. CLIP NUT 172	80984	81074	01
- 3A	S4213-1	. CLIP NUT 172S	08704	08908	01
- 3B	S4213-1	. CLIP NUT 172	81075	81200	01
- 3C	S4213-1	. CLIP NUT 172S	08909	09568	01
4	S1021A4-8J	. SCREW			04
5	0519033-3	. PANEL ASSY-FWD ACCENT LH FSO 0519049-3 172	80909	81074	NP
- 5A	0519033-3	. PANEL ASSY-FWD ACCENT LH FSO 0519049-3 172S	08704	08908	NP
- 5B	0519049-3	. PANEL ASSY-FWD ACCENT LH 172	81075	81200	01
- 5C	0519049-3	. PANEL ASSY-FWD ACCENT LH 172S	08909	09568	01
6	OHCW4SMXDS14BN	. SCREW ASSY FSO S3928-4-XR REFER TO NOTE 1 AND NOTE 2			AR
- 6A	S3928-4-XR	. SCREW REFER TO NOTE 2			AR
7	0519035-1	. PANEL ASSY-AFT LH FSO 0519048-1 172	80984	81074	NP
- 7A	0519035-1	. PANEL ASSY-AFT LH FSO 0519048-1 172S	08704	08908	NP
- 7B	0519048-1	. PANEL ASSY-AFT LH 172	81075	81200	01
- 7C	0519048-1	. PANEL ASSY-AFT LH 172S	08909	09568	01
8	0519013-3	. ACCENT PANEL-AFT LH FSO 0519041-3 172	80909	81074	NP
- 8A	0519013-3	. ACCENT PANEL-AFT LH FSO 0519041-3 172S	08704	08908	NP
- 8B	0519041-3	. ACCENT PANEL-AFT LH 172	81075	81200	01
- 8C	0519041-3	. ACCENT PANEL-AFT LH 172S	08909	09568	01
9	0519013-5	. PANEL-UPPER AFT LH FSO 0519041-5 172	80909	81074	NP
- 9A	0519013-5	. PANEL-UPPER AFT LH FSO 0519041-5 172S	08704	08908	NP
- 9B	0519041-5	. PANEL-UPPER AFT LH 172	81075	81200	01
- 9C	0519041-5	. PANEL-UPPER AFT LH 172S	08909	09568	01
10	S2108-1	. SEAL-PRESSURE SENSITIVE ADHESIVE BKI			AR
11	0519011-5	. PANEL-LH INSTRUMENT CLOSEOUT 172	80984	81159	01 R
- 11A	0519011-5	. PANEL-LH INSTRUMENT CLOSEOUT 172S	08704	09359	01 R
- 11B	0515075-75	. PANEL-LH INSTRUMENT CLOSEOUT 172	81160	81200	01 R
- 11C	0515075-75	. PANEL-LH INSTRUMENT CLOSEOUT 172S	09360	09568	01 R
12	0519009-1	. DOOR PANEL-LH FSO 0519046-1 172	80984	81090	NP
- 12A	0519009-1	. DOOR PANEL-LH FSO 0519046-1 172S	08704	08908	NP
- 12B	0519046-1	. DOOR PANEL-LH 172	81075	81200	01
- 12C	0519046-1	. DOOR PANEL-LH 172S	08909	09568	01
13	0519009-3	. DOOR ACCENT PANEL FSO 0519046-3 172	80984	81074	NP
- 13A	0519009-3	. DOOR ACCENT PANEL FSO 0519046-3 172S	08704	08908	NP
- 13B	0519046-3	. DOOR ACCENT PANEL 172	81075	81200	01
- 13C	0519046-3	. DOOR ACCENT PANEL 172S	08909	09568	01
14	0519034-3	. INSERT PANEL-LEFT DOOR			01
- 14A	U065033	. TAPE FOAM BKI			AR
- 14B	U065034	. TAPE FOAM BKI			AR
15	CJ1031-4	. ARMREST			01
- 16	MS35206-250	. SCREW			03
- 17	NAS1149F0363P	. WASHER			AR
- 18	NAS1149F0463P	. WASHER			AR
19		. DOOR HANDLE-LH REFER TO 52-10-00 FIGURE 01			RF
19A	CJ1030-7	. ARMREST DOOR PLUG			03
20	MS35190-273	. SCREW			01
21	NAS1329A08K75	. NUT			01
- 22	0519067-3	. SPARE-ARMREST SHIELD LH 172	80984	81200	01
- 22A	0519067-3	. SPARE-ARMREST SHIELD LH 172S	08704	09568	01
- 23	0519067-4	. SPARE-ARMREST SHIELD RH 172	80984	81200	01
- 23A	0519067-4	. SPARE-ARMREST SHIELD RH 172S	08704	09568	01
- 24	OHC4SM8DS14BN	. SPARE-SCREW LH AND RH 172	80984	81200	01
- 24A	OHC4SM8DS14BN	. SPARE-SCREW LH AND RH 172S	08704	09568	01
- 24B	S1023A4-8R	. SCREW ALT FOR OHC4SM8DS14BN			AR
- 25	0523231-24	. BRACKET			01
- 26	0515075-65	. BRACKET			01

NOTE 1—USE OHCW TYPE SCREWS WITH LARGE WASHER ON FABRIC COVERED PARTS AND ACCENT PANELS.

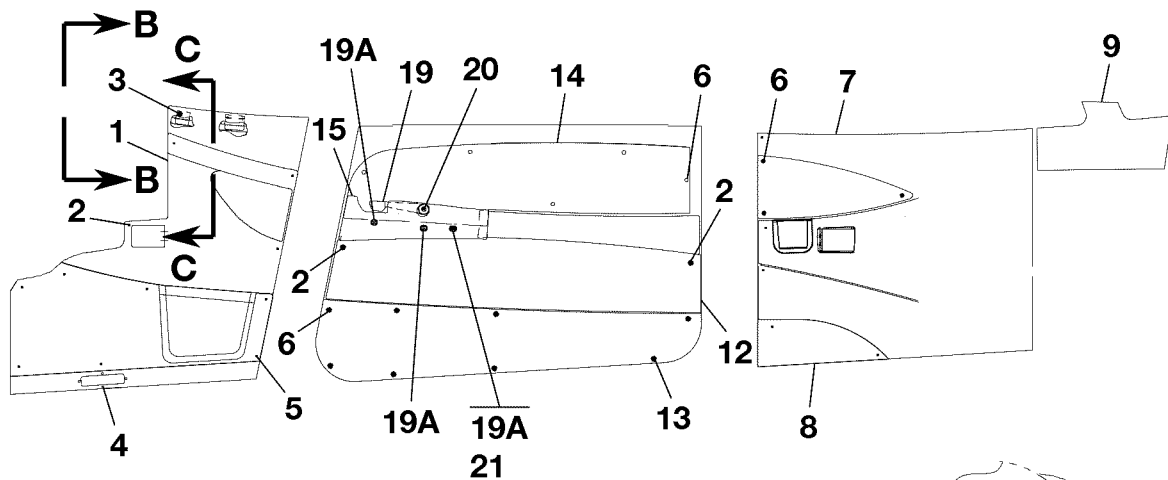
NOTE 2—USE SCREW LENGTH AS REQUIRED (6, 8, 10, 12) "X"

CESSNA AIRCRAFT COMPANY
MODEL 172 (SERIES 1996 AND ON)
 ILLUSTRATED PARTS CATALOG

B3372

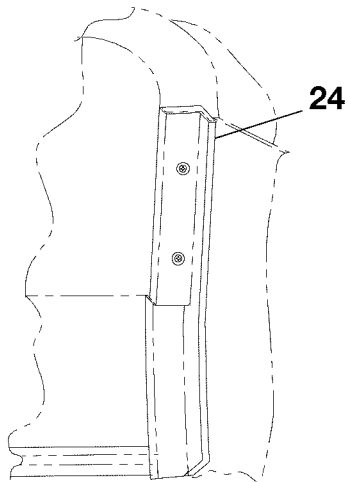


VIEW B-B



VIEW A-A

AIRPLANES 17280984 THRU 17281200 AND
 AIRPLANES 172S8704 THRU 172S9568



VIEW C-C

0510T1007
 AA0519T1067
 BB0519T1068
 CC0519120-1

**SIDE UPHOLSTERY-RIGHT
 FIGURE 04 (SHEET 1)**

CESSNA AIRCRAFT COMPANY
MODEL 172 (SERIES 1996 AND ON)
ILLUSTRATED PARTS CATALOG

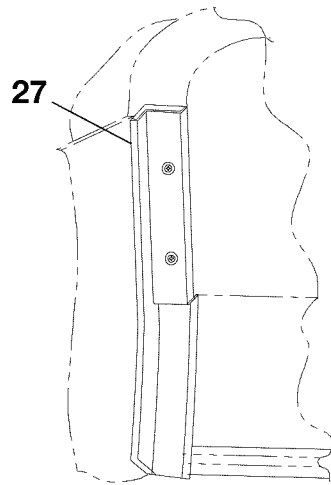
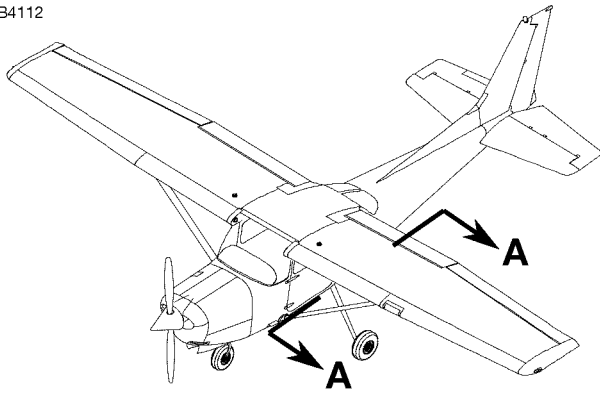
FIG ITEM	PART NUMBER	NOMENCLATURE	UNITS PER ASSY		
		1 2 3 4 5 6 7			
04		SIDE UPHOLSTERY-RIGHT			
-			80984	81200	RF
			08704	09568	
1	0519033-2	. PANEL ASSY-RH FWD FSO 0519049-2 172	80984	81074	NP
- 1A	0519033-2	. PANEL ASSY-RH FWD FSO 0519049-2 172S	08704	08908	NP
- 1B	0519049-2	. PANEL ASSY-RH FWD 172	81075	81200	01
- 1C	0519049-2	. PANEL ASSY-RH FWD 172S	08909	09568	01
2	S1021A4-XM	. SCREW-PAN HEAD REFER TO NOTE 2			AR
3	S4213-1	. CLIP NUT 172	80984	81074	01
- 3A	S4213-1	. CLIP NUT 172S	08704	08908	01
- 3B	S4213-1	. CLIP NUT 172	81075	81200	01
- 3C	S4213-1	. CLIP NUT 172S	08909	09568	01
4	S1021A4-8J	. SCREW			04
5	0519033-4	. PANEL ASSY-FWD ACCENT RH FSO 0519049-4 172	80984	81074	NP
- 5A	0519033-4	. PANEL ASSY-FWD ACCENT RH FSO 0519049-4 172S	08704	08908	NP
- 5B	0519049-4	. PANEL ASSY-FWD ACCENT RH 172	81075	81200	01
- 5C	0519049-4	. PANEL ASSY-FWD ACCENT RH 172S	08909	09568	01
6	OHCW4SMXDS14BN	. SCREW ASSY FSO S3928-4 REFER TO NOTE 1 AND NOTE 2			AR
- 6A	S3928-4-XR	. SCREW REFER TO NOTE 2			AR
7	0519035-2	. PANEL ASSY-AFT RH FSO 0519048-2 172	80984	81074	NP
- 7A	0519035-2	. PANEL ASSY-AFT RH FSO 0519048-2 172S	08704	08908	NP
- 7B	0519048-2	. PANEL ASSY-AFT RH 172	81075	81200	01
- 7C	0519048-2	. PANEL ASSY-AFT RH 172S	08909	09568	01
8	0519013-4	. ACCENT PANEL-AFT RH FSO 0519041-4 172	80984	81074	NP
- 8A	0519013-4	. ACCENT PANEL-AFT RH FSO 0519041-4 172S	08704	08908	NP
- 8B	0519041-4	. ACCENT PANEL-AFT RH 172	08909	81200	01
- 8C	0519041-4	. ACCENT PANEL-AFT RH 172S	08909	09568	01
9	0519013-6	. PANEL-UPPER AFT RH FSO 0519041-6 172	80984	81074	NP
- 9A	0519013-6	. PANEL-UPPER AFT RH FSO 0519041-6 172S	08704	08908	NP
- 9B	0519041-6	. PANEL-UPPER AFT RH 172	81075	81200	01
- 9C	0519041-6	. PANEL-UPPER AFT RH 172S	08909	09568	01
10	S2108-1	. SEAL-PRESSURE SENSITIVE ADHESIVE BKI			AR
- 11		. DELETED-NOT USED			
12	0519009-2	. DOOR PANEL-RH FSO 0519046-2 172	80984	81074	NP
- 12A	0519009-2	. DOOR PANEL-RH FSO 0519046-2 172S	08704	08908	NP
- 12B	0519046-2	. DOOR PANEL-RH 172	81075	81200	01
- 12C	0519046-2	. DOOR PANEL-RH 172S	08909	09568	01
13	0519009-4	. DOOR ACCENT PANEL FSO 0519046-4 172	80984	81074	NP
- 13A	0519009-4	. DOOR ACCENT PANEL FSO 0519046-4 172S	08704	08908	NP
- 13B	0519046-4	. DOOR ACCENT PANEL 172	81075	81200	01
- 13C	0519046-4	. DOOR ACCENT PANEL 172S	08909	09568	01
14	0519034-4	. INSERT PANEL-RIGHT DOOR			01
- 14A	U065033	. TAPE FOAM BKI			AR
- 14B	U065034	. TAPE FOAM BKI			AR
15	CJ1030-10	. ARMREST			01
- 16	MS35206-250	. SCREW ARMREST ATTACH			03
- 17	NAS1149F0363P	. WASHER ARMREST ATTACH			AR
- 18	NAS1149F0463P	. WASHER ARMREST ATTACH			AR
19		. DOOR HANDLE-RH R EFER TO CABIN DOOR INSTALLATION-RH 52-10-00 FIGURE 02			RF
19A	CJ1030-7	. ARMREST DOOR PLUG			03
20	MS35190-273	. SCREW			01
21	NAS1329A8K75	. NUT			01
- 22	0515075-65	. BRACKET			01
- 23	0523231-24	. BRACKET			01
24	0519011-6	. INSTRUMENT PANEL CLOSEOUT 172	80984	81159	01 R
- 24A	0515075-74	. SIDE PANEL CLOSEOUT 172	81160	81200	01 R
- 25	0519011-6	. INSTRUMENT PANEL CLOSEOUT 172S	08704	09359	01 R
- 25A	0515075-74	. SIDE PANEL CLOSEOUT 172S	09360	09568	01 R

NOTE 1—FOR INSTALLATION OF PARTS WITH KYDEX COVERED VINYL, USE "OHCW" TYPE SCREWS. FOR INSTALLATION OF PARTS WITH SUBSTRATE COVERED WITH FOAM AND FABRIC, USE "OHCWL" TYPE SCREWS.

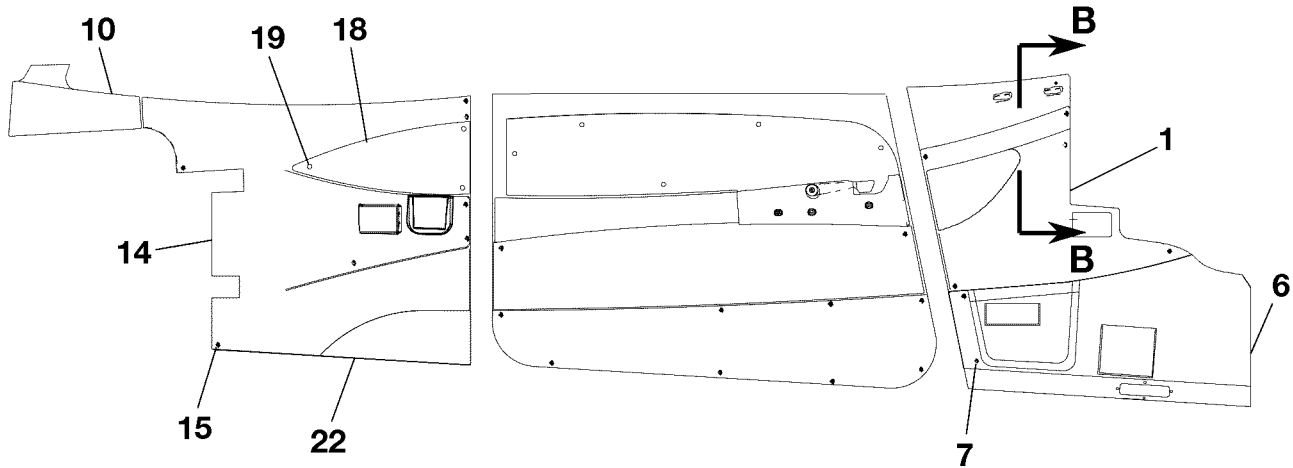
NOTE 2—USE SCREW LENGTH AS REQUIRED (6, 8, 10, 12) ON KYDEX

CESSNA AIRCRAFT COMPANY
MODEL 172 (SERIES 1996 AND ON)
 ILLUSTRATED PARTS CATALOG

B4112



VIEW B-B



VIEW A-A

AIRPLANES 17281201 AND ON AND
 AIRPLANES 172S9569 AND ON

SIDE UPHOLSTERY - LEFT
FIGURE 05 (SHEET 1)

0510T1007
 AA0519T1064
 BB0519120-1

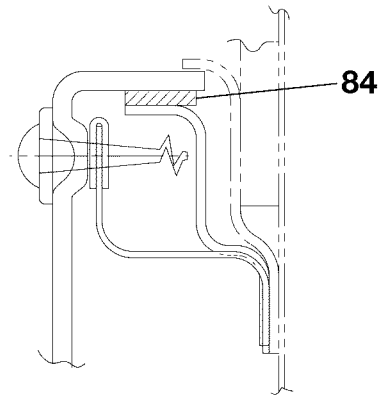
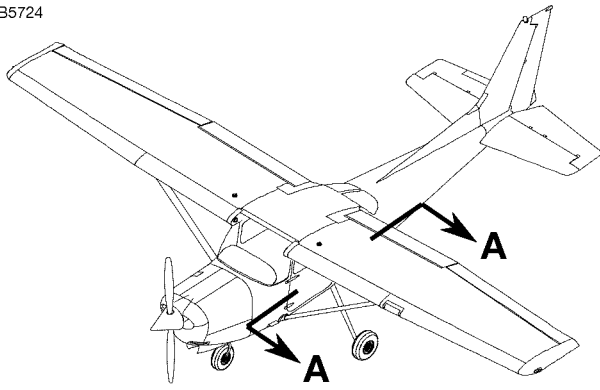
CESSNA AIRCRAFT COMPANY
MODEL 172 (SERIES 1996 AND ON)
ILLUSTRATED PARTS CATALOG

FIG ITEM	PART NUMBER	NOMENCLATURE	UNITS PER ASSY		
		1 2 3 4 5 6 7			
05					
-		SIDE UPHOLSTERY - LEFT	81201	& ON	RF
			09569	& ON	
1	0519081-1	. PANEL ASSY-LH FWD 172 FSO 0519081-11	81207	81259	NP
- 1A	0519081-1	. PANEL ASSY-LH FWD 172S FSO 0519081-11	09569	09971	NP
- 1B	0519081-11	. PANEL ASSY-LH FWD 172	81260	& ON	01
- 1C	0519081-11	. PANEL ASSY-LH FWD 172S	09972	& ON	01
		ATTACHING PARTS			
- 2	S1021A4-6R	. SCREW			AR
- 3	S1021A4-8R	. SCREW			AR
- 4	S1021A4-10R	. SCREW			AR
- 5	S1021A4-16R	. SCREW			AR
		—*—			
6	0519081-5	. ACCENT PANEL ASSY-LH FWD 172 FSO 0519081-15	81201	81259	NP
- 6A	0519081-5	. ACCENT PANEL ASSY-LH FWD 172S FSO 0519081-15	09569	09971	NP
- 6B	0519081-15	. ACCENT PANEL ASSY-LH FWD 172	81260	81565	01
- 6C	0519081-15	. ACCENT PANEL ASSY-LH FWD 172S	09972	11045	01
- 6D	0519081-19	. ACCENT PANEL ASSY-LH FWD 172	81566	& ON	01
- 6E	0519081-19	. ACCENT PANEL ASSY-LH FWD 172S	11046	& ON	01
		ATTACHING PARTS			
7	S1021A4-6S	. SCREW			AR
- 8	S1021A4-8S	. SCREW			AR
- 9	S1021A4-10S	. SCREW			AR
		—*—			
10	0519078-7	. PANEL ASSY-LH AFT UPPER 172	81201	81259	01
- 10A	0519078-7	. PANEL ASSY-LH AFT UPPER 172S	09569	09971	01
		ATTACHING PARTS			
- 11	S1021A4-6R	. SCREW			AR
- 12	S1021A4-8R	. SCREW			AR
- 13	S1021A4-10R	. SCREW			AR
		—*—			
14	0519081-3	. PANEL ASSY-LH AFT 172 FSO 0519081-13	81201	81259	NP
- 14A	0519081-3	. PANEL ASSY-LH AFT 172S FSO 0519081-13	09569	09971	NP
- 14B	0519081-13	. PANEL ASSY-LH AFT 172	81260	& ON	01
- 14C	0519081-13	. PANEL ASSY-LH AFT 172S	09972	& ON	01
		ATTACHING PARTS			
15	S1021A4-6R	. SCREW			AR
- 16	S1021A4-8R	. SCREW			AR
- 17	S1021A4-10R	. SCREW			AR
		—*—			
18	0519080-3	. PANEL INSERT ASSY-LH AFT 172	81201	81272	01
- 18A	0519080-3	. PANEL INSERT ASSY-LH AFT 172S	09569	10102	01
- 18B	0519095-3	. PANEL INSERT ASSY-LH AFT 172	81273	81565	01
- 18C	0519095-3	. PANEL INSERT ASSY-LH AFT 172S	10103	11045	01
- 18D	0519095-7	. PANEL INSERT ASSY-LH AFT 172	81566	& ON	01
- 18E	0519095-7	. PANEL INSERT ASSY-LH AFT 172S	11046	11663	01 R
- 18F	0519095-11	. PANEL INSERT ASSY-LH AFT 172S	11664	& ON	01 R
		ATTACHING PARTS			
19	S3928-4-6X	. SCREW 172	81201	81272	AR
- 19A	S3928-4-6X	. SCREW 172S	09569	10102	AR
- 19C	S3928-4-6AC	. SCREW 172	81273	& ON	AR
- 19D	S3928-4-6AC	. SCREW 172S	10103	& ON	AR
- 20	S3928-4-8X	. SCREW 172	81201	81272	AR
- 20A	S3928-4-8X	. SCREW 172S	09569	10102	AR
- 20B	S3928-4-8AC	. SCREW 172	81273	& ON	AR
- 20C	S3928-4-8AC	. SCREW 172S	10103	& ON	AR
- 21	S3928-4-10X	. SCREW 172	81201	81272	AR
- 21A	S3928-4-10X	. SCREW 172S	09569	10102	AR
- 21B	S3928-4-10AC	. SCREW 172	81273	& ON	AR
- 21C	S3928-4-10AC	. SCREW 172S	10103	& ON	AR
		—*—			
22	0519078-13	. ACCENT PANEL-LH AFT 172 FSO 0519078-27	81201	81259	NP
- 22A	0519078-13	. ACCENT PANEL-LH AFT 172S FSO 0519078-27	09569	09971	NP
- 22B	0519078-27	. ACCENT PANEL-LH AFT 172	81260	81565	01
- 22C	0519078-27	. ACCENT PANEL-LH AFT 172S	09972	11045	01
- 22D	0519078-33	. ACCENT PANEL-LH AFT 172	81566	& ON	01
- 22E	0519078-33	. ACCENT PANEL-LH AFT 172S	11046	& ON	01
		ATTACHING PARTS			
- 23	S1021A4-6S	. SCREW			AR
- 24	S1021A4-8S	. SCREW			AR
- 25	S1021A4-10S	. SCREW			AR
- 26	S3230-1	. NUT			AR
		—*—			
27	0515075-75	. SIDE PANEL CLOSEOUT 172	81201	& ON	01
- 27A	0515075-75	. SIDE PANEL CLOSEOUT 172S	09569	& ON	01

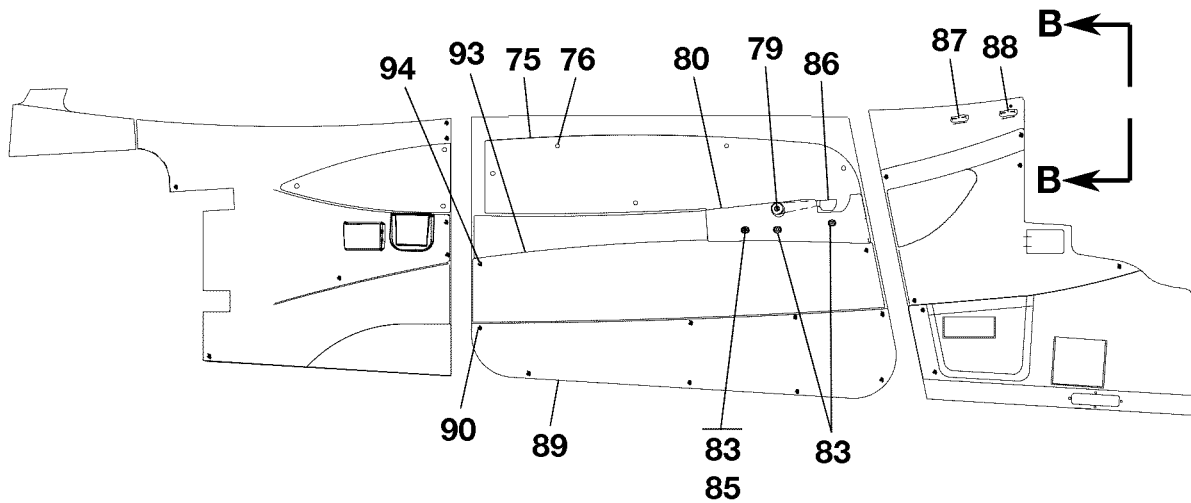
- ITEM NOT ILLUSTRATED

CESSNA AIRCRAFT COMPANY
MODEL 172 (SERIES 1996 AND ON)
 ILLUSTRATED PARTS CATALOG

B5724



VIEW B-B



VIEW A-A

AIRPLANES 17281201 AND ON AND
 AIRPLANES 172S9569 AND ON

SIDE UPHOLSTERY - LEFT
 FIGURE 05 (SHEET 2)

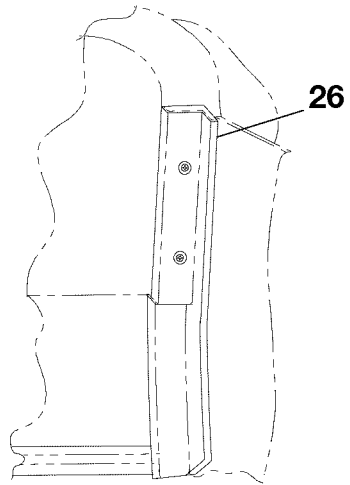
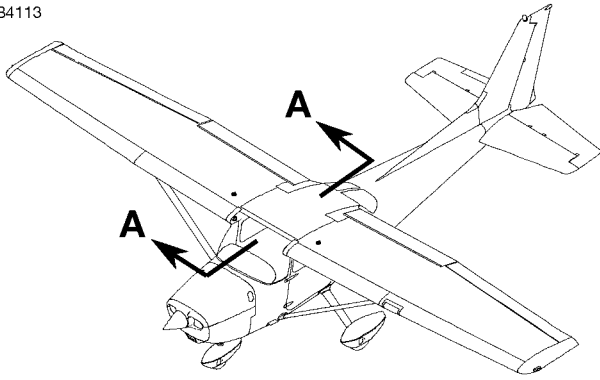
0510T1007
 AA0519T1064

CESSNA AIRCRAFT COMPANY
MODEL 172 (SERIES 1996 AND ON)
ILLUSTRATED PARTS CATALOG

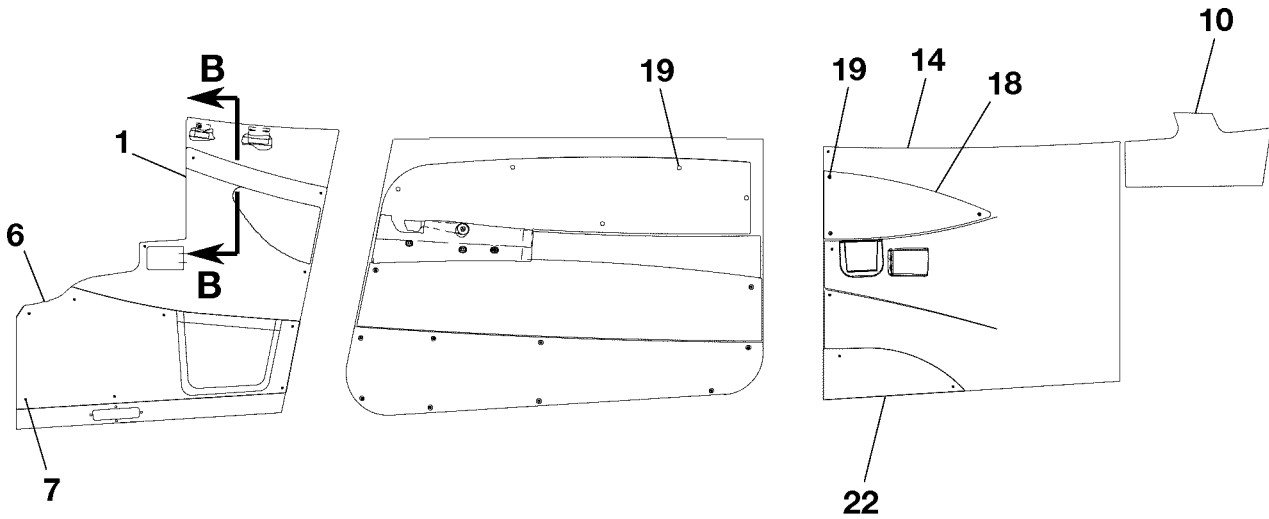
FIG ITEM	PART NUMBER	NOMENCLATURE	UNITS		
			PER	ASSY	
05					
75	0519080-1	. DOOR INSERT PANEL ASSY-LH 172	81201	81272	01
- 75A	0519080-1	. DOOR INSERT PANEL ASSY-LH 172S	09569	10102	01
- 75B	0519095-1	. DOOR INSERT PANEL ASSY-LH 172	81273	81565	01
- 75C	0519095-1	. DOOR INSERT PANEL ASSY-LH 172S	10103	11045	01
- 75D	0519095-5	. DOOR INSERT PANEL ASSY-LH 172	81566	& ON	01
- 75E	0519095-5	. DOOR INSERT PANEL ASSY-LH 172S	11046	11663	01 R
- 75F	0519095-9	. DOOR INSERT PANEL ASSY-LH 172S	11664	& ON	01 R
		ATTACHING PARTS			
76	S3928-4-6X	. SCREW 172	81201	81272	AR
- 76A	S3928-4-6X	. SCREW 172S	09569	10102	AR
- 76B	S3928-4-6AC	. SCREW 172	81273	& ON	AR
- 76C	S3928-4-6AC	. SCREW 172S	10103	& ON	AR
- 77	S3928-4-8X	. SCREW 172	81201	81272	AR
- 77A	S3928-4-8X	. SCREW 172S	09569	10102	AR
- 77B	S3928-4-8AC	. SCREW 172	81273	& ON	AR
- 77C	S3928-4-8AC	. SCREW 172S	10103	& ON	AR
- 78	S3928-4-10X	. SCREW 172	81201	81272	AR
- 78A	S3928-4-10X	. SCREW 172S	09569	10102	AR
- 78B	S3928-4-10AC	. SCREW 172	81273	& ON	AR
- 78C	S3928-4-10AC	. SCREW 172S	10103	& ON	AR
		—*—			
79	MS35190-273	. SCREW			01
80	CJ1031-13	. ARMREST-LH MINK V0SX36			01
		ATTACHING PARTS			
- 81	MS35206-250	. SCREW	81201	81565	03
- 81A	MS35206-250	. SCREW	09569	11045	03
- 81B	MS35206-250	. SCREW	81566	& ON	03
- 81C	MS35206-250	. SCREW	11046	& ON	03
- 82	NAS1149F0363P	. WASHER			AR
- 82A	NAS1149F0463P	. WASHER			AR
		—*—			
83	CJ1030-14	. ARMREST DOOR PLUG-MINK V0SX36			03
84	S2108-1	. SEAL			AR
85	NAS1329A08K75	. NUT			01
86		. DOOR HANDLE REFER TO 52-10-00 FIGURE 01			RF
87	0523231-24	. BRACKET			01
88	0515075-65	. BRACKET			01
89	0519078-11	. DOOR ACCENT PANEL-LH 172 FSO 0519078-25	81201	81259	NP
- 89A	0519078-11	. DOOR ACCENT PANEL-LH 172S FSO 0519078-25	09569	09971	NP
- 89B	0519078-25	. DOOR ACCENT PANEL-LH 172	81260	81565	01
- 89C	0519078-25	. DOOR ACCENT PANEL-LH 172S	09972	11045	01
- 89D	0519078-31	. DOOR ACCENT PANEL-LH 172	81566	& ON	01
- 89E	0519078-31	. DOOR ACCENT PANEL-LH 172S	11046	& ON	01
		ATTACHING PARTS			
90	S1021A4-6S	. SCREW 172	81201	81565	AR
- 90A	S1021A4-6S	. SCREW 172S	09569	11045	AR
- 90B	S1021A4-6J	. SCREW 172	81566	& ON	AR
- 90C	S1021A4-6J	. SCREW 172S	11046	& ON	AR
- 91	S1021A4-8S	. SCREW 172	81201	81565	AR
- 91A	S1021A4-8S	. SCREW 172S	09569	11045	AR
- 91B	S1021A4-8J	. SCREW 172	81566	& ON	AR
- 91C	S1021A4-8J	. SCREW 172S	11046	& ON	AR
- 92	S1021A4-10S	. SCREW 172	81201	81565	AR
- 92A	S1021A4-10S	. SCREW 172S	09569	11045	AR
- 92B	S1021A4-10J	. SCREW 172	81566	& ON	AR
- 92C	S1021A4-10J	. SCREW 172S	11046	& ON	AR
		—*—			
93	0519078-3	. DOOR PANEL-LH 172 FSO 0519078-17	81201	81259	NP
- 93A	0519078-3	. DOOR PANEL-LH 172S FSO 0519078-17	09569	09971	NP
- 93B	0519078-17	. DOOR PANEL-LH 172S	09972	& ON	01
- 93C	0519078-17	. DOOR PANEL-LH 172	81260	& ON	01
		ATTACHING PARTS			
94	S1021A4-6R	. SCREW			AR
- 95	S1021A4-8R	. SCREW			AR
- 96	S1021A4-10R	. SCREW			AR
		—*—			

CESSNA AIRCRAFT COMPANY
MODEL 172 (SERIES 1996 AND ON)
 ILLUSTRATED PARTS CATALOG

B4113



VIEW B-B



VIEW A-A

AIRPLANES 17281201 AND ON AND
 AIRPLANES 172S9569 AND ON

SIDE UPHOLSTERY - RIGHT
 FIGURE 06 (SHEET 1)

0510T1007
 AA0519T1067
 BB0519120-1

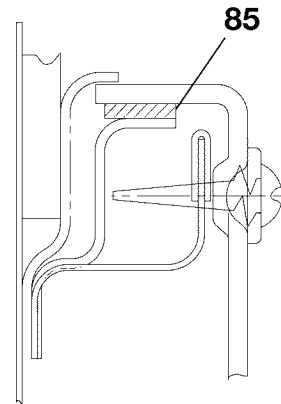
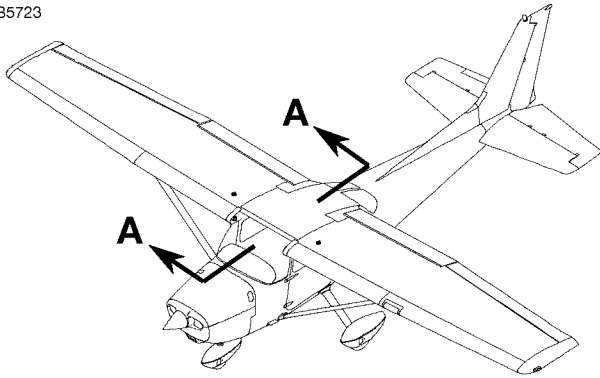
CESSNA AIRCRAFT COMPANY
MODEL 172 (SERIES 1996 AND ON)
ILLUSTRATED PARTS CATALOG

FIG ITEM	PART NUMBER	NOMENCLATURE	UNITS PER ASSY		
		1 2 3 4 5 6 7			
06					
-		SIDE UPHOLSTERY - RIGHT	81201	& ON	RF
			09569	& ON	
1	0519081-2	. PANEL ASSY-RH FWD 172 FSO 0519081-12	81207	81259	NP
- 1A	0519081-2	. PANEL ASSY-RH FWD 172S FSO 0519081-12	09569	09971	NP
- 1B	0519081-12	. PANEL ASSY-RH FWD 172	81260	& ON	01
- 1C	0519081-12	. PANEL ASSY-RH FWD 172S	09972	& ON	01
		ATTACHING PARTS			
- 2	S1021A4-6R	. SCREW			AR
- 3	S1021A4-8R	. SCREW			AR
- 4	S1021A4-10R	. SCREW			AR
- 5	S1021A4-16R	. SCREW			AR
		—*—			
6	0519081-6	. ACCENT PANEL ASSY-RH FWD 172 FSO 0519081-16	81201	81259	NP
- 6A	0519081-6	. ACCENT PANEL ASSY-RH FWD 172S FSO 0519081-16	09569	09971	NP
- 6B	0519081-16	. ACCENT PANEL ASSY-RH FWD 172	81260	81565	01
- 6C	0519081-16	. ACCENT PANEL ASSY-RH FWD 172S	09972	11045	01
- 6D	0519081-20	. ACCENT PANEL ASSY-RH FWD 172	81566	& ON	01
- 6E	0519081-20	. ACCENT PANEL ASSY-RH FWD 172S	11046	& ON	01
		ATTACHING PARTS			
7	S1021A4-6S	. SCREW			AR
- 8	S1021A4-8S	. SCREW			AR
- 9	S1021A4-10S	. SCREW			AR
		—*—			
10	0519078-8	. PANEL ASSY-RH AFT UPPER 172	81201	81259	01
- 10A	0519078-8	. PANEL ASSY-RH AFT UPPER 172S	09569	09971	01
		ATTACHING PARTS			
- 11	S1021A4-6R	. SCREW			AR
- 12	S1021A4-8R	. SCREW			AR
- 13	S1021A4-10R	. SCREW			AR
		—*—			
14	0519081-4	. PANEL ASSY-RH AFT 172 FSO 0519081-14	81201	81259	NP
- 14A	0519081-4	. PANEL ASSY-RH AFT 172S FSO 0519081-14	09569	09971	NP
- 14B	0519081-14	. PANEL ASSY-RH AFT 172	81260	& ON	01
- 14C	0519081-14	. PANEL ASSY-RH AFT 172S	09972	& ON	01
		ATTACHING PARTS			
- 15	S1021A4-6R	. SCREW			AR
- 16	S1021A4-8R	. SCREW			AR
- 17	S1021A4-10R	. SCREW			AR
		—*—			
18	0519080-4	. PANEL INSERT ASSY-RH AFT 172	81201	81272	01
- 18A	0519080-4	. PANEL INSERT ASSY-RH AFT 172S	09569	10102	01
- 18B	0519095-4	. PANEL INSERT ASSY-RH AFT 172	81273	81565	01
- 18C	0519095-4	. PANEL INSERT ASSY-RH AFT 172S	10103	11045	01
- 18D	0519095-8	. PANEL INSERT ASSY-RH AFT 172	81566	& ON	01
- 18E	0519095-8	. PANEL INSERT ASSY-RH AFT 172S	11046	11663	01 R
- 18F	0519095-12	. PANEL INSERT ASSY-RH AFT 172S	11664	& ON	01 R
		ATTACHING PARTS			
19	S3928-4-6X	. SCREW 172	81201	81272	AR
- 19A	S3928-4-6X	. SCREW 172S	09569	10102	AR
- 19B	S3928-4-6AC	. SCREW 172	81273	& ON	AR
- 19C	S3928-4-6AC	. SCREW 172S	10103	& ON	AR
- 20	S3928-4-8X	. SCREW 172	81201	81272	AR
- 20A	S3928-4-8X	. SCREW 172S	09569	10102	AR
- 20B	S3928-4-8AC	. SCREW 172	81273	& ON	AR
- 20C	S3928-4-8AC	. SCREW 172S	10103	& ON	AR
- 21	S3928-4-10X	. SCREW 172	81201	81272	AR
- 21A	S3928-4-10X	. SCREW 172S	09569	10102	AR
- 21B	S3928-4-10AC	. SCREW 172	81273	& ON	AR
- 21C	S3928-4-10AC	. SCREW 172S	10103	& ON	AR
		—*—			
22	0519078-14	. ACCENT PANEL-RH AFT 172 FSO 0519078-28	81201	81259	NP
- 22A	0519078-14	. ACCENT PANEL-RH AFT 172S FSO 0519078-28	09569	09971	NP
- 22B	0519078-28	. ACCENT PANEL-RH AFT 172	81260	81565	01
- 22C	0519078-28	. ACCENT PANEL-RH AFT 172S	09972	11045	01
- 22D	0519078-34	. ACCENT PANEL-RH AFT 172	81566	& ON	01
- 22E	0519078-34	. ACCENT PANEL-RH AFT 172S	11046	& ON	01
		ATTACHING PARTS			
- 23	S1021A4-6S	. SCREW			AR
- 24	S1021A4-8S	. SCREW			AR
- 25	S1021A4-10S	. SCREW			AR
		—*—			
26	0515075-74	. SIDE PANEL CLOSEOUT 172	81201	& ON	01
- 26A	0515075-74	. SIDE PANEL CLOSEOUT 172S	09569	& ON	01

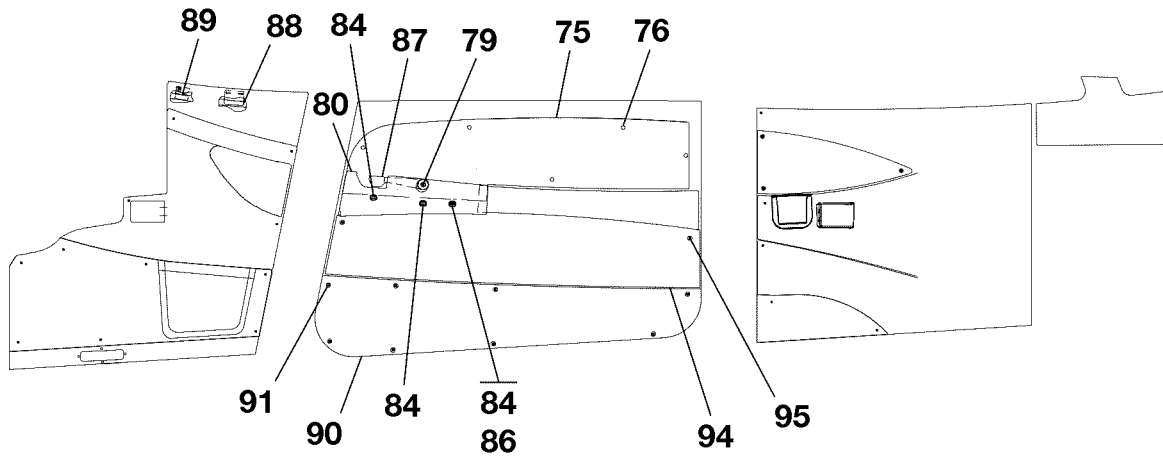
- ITEM NOT ILLUSTRATED

CESSNA AIRCRAFT COMPANY
MODEL 172 (SERIES 1996 AND ON)
 ILLUSTRATED PARTS CATALOG

B5723



VIEW B-B



VIEW A-A

AIRPLANES 17281201 AND ON AND
 AIRPLANES 172S9569 AND ON

SIDE UPHOLSTERY - RIGHT
 FIGURE 06 (SHEET 2)

0510T1007
 AA0519T1067
 BB0519T1068

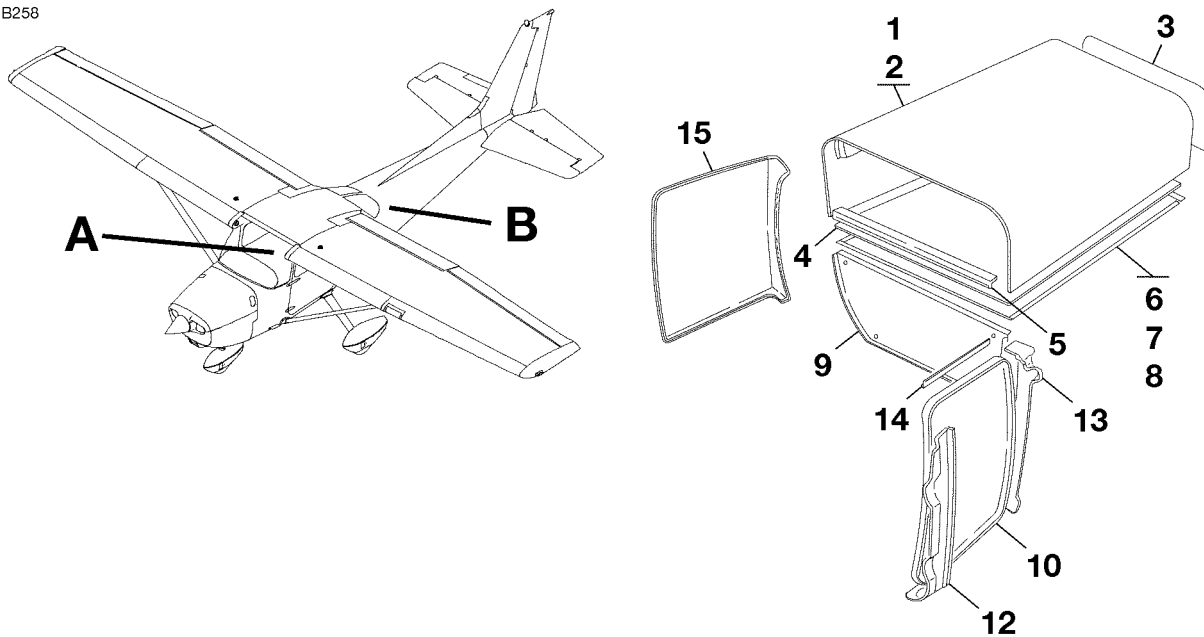
CESSNA AIRCRAFT COMPANY
MODEL 172 (SERIES 1996 AND ON)
ILLUSTRATED PARTS CATALOG

FIG ITEM	PART NUMBER	NOMENCLATURE	UNITS PER ASSY		
		1 2 3 4 5 6 7			
06					
75	0519080-2	. DOOR INSERT PANEL ASSY-RH 172	81201	81272	01
- 75A	0519080-2	. DOOR INSERT PANEL ASSY-RH 172S	09569	10102	01
- 75B	0519095-2	. DOOR INSERT PANEL ASSY-RH 172	81273	81565	01
- 75C	0519095-2	. DOOR INSERT PANEL ASSY-RH 172S	10103	11045	01
- 75D	0519095-6	. DOOR INSERT PANEL ASSY-RH 172	81566	& ON	01
- 75E	0519095-6	. DOOR INSERT PANEL ASSY-RH 172S	11046	11663	01 R
- 75F	0519095-10	. DOOR INSERT PANEL ASSY-RH 172S	11664	& ON	01 R
		ATTACHING PARTS			
76	S3928-4-6X	. SCREW 172	81201	81272	AR
- 76A	S3928-4-6X	. SCREW 172S	09569	10102	AR
- 76B	S3928-4-6AC	. SCREW 172	81273	& ON	AR
- 76C	S3928-4-6AC	. SCREW 172S	10103	& ON	AR
- 77	S3928-4-8X	. SCREW 172	81201	81272	AR
- 77A	S3928-4-8X	. SCREW 172S	09569	10102	AR
- 77B	S3928-4-8AC	. SCREW 172	81273	& ON	AR
- 77C	S3928-4-8AC	. SCREW 172S	10103	& ON	AR
- 78	S3928-4-10X	. SCREW 172	81201	81272	AR
- 78A	S3928-4-10X	. SCREW 172S	09569	10102	AR
- 78B	S3928-4-10AC	. SCREW 172	81273	& ON	AR
- 78C	S3928-4-10AC	. SCREW 172S	10103	& ON	AR
		—*—			
79	MS35190-273	. SCREW 172	81201	81565	01
- 79A	MS35190-273	. SCREW 172S	09569	11045	01
- 79B	MS35191-273	. SCREW 172	81566	& ON	01
- 79C	MS35191-273	. SCREW 172S	11046	& ON	01
80	CJ1030-13	. ARMREST-RH MINK V0SX36			01
		ATTACHING PARTS			
- 81	MS35206-250	. SCREW			03
- 82	NAS1149F0363P	. WASHER			AR
- 83	NAS1149F0463P	. WASHER			AR
		—*—			
84	CJ1030-14	. ARMREST DOOR PLUG-MINK V0SX36			03
85	S2108-1	. SEAL			AR
86	NAS1329A08K75	. NUT			01
87		. DOOR HANDLE REFER TO 52-10-00 FIGURE 01			RF
88	0523231-24	. BRACKET			01
89	0515075-65	. BRACKET			01
90	0519078-12	. DOOR ACCENT PANEL-RH 172 FSO 0519078-26	81201	81259	NP
- 90A	0519078-12	. DOOR ACCENT PANEL-RH 172S FSO 0519078-26	09569	09971	NP
- 90B	0519078-26	. DOOR ACCENT PANEL-RH 172	81260	81565	01
- 90C	0519078-26	. DOOR ACCENT PANEL-RH 172S	09972	11045	01
- 90D	0519078-32	. DOOR ACCENT PANEL-RH 172	81566	& ON	01
- 90E	0519078-32	. DOOR ACCENT PANEL-RH 172S	11046	& ON	01
		ATTACHING PARTS			
91	S1021A4-6S	. SCREW 172	81201	81565	AR
- 91A	S1021A4-6S	. SCREW 172S	09569	11045	AR
- 91B	S1021A4-6J	. SCREW 172	81566	& ON	AR
- 91C	S1021A4-6J	. SCREW 172S	11046	& ON	AR
- 92	S1021A4-8S	. SCREW 172	81201	81565	AR
- 92A	S1021A4-8S	. SCREW 172S	09569	11045	AR
- 92B	S1021A4-8J	. SCREW 172	81566	& ON	AR
- 92C	S1021A4-8J	. SCREW 172S	11046	& ON	AR
- 93	S1021A4-10S	. SCREW 172	81201	81565	AR
- 93A	S1021A4-10S	. SCREW 172S	09569	11045	AR
- 93B	S1021A4-10J	. SCREW 172	81566	& ON	AR
- 93C	S1021A4-10J	. SCREW 172S	11046	& ON	AR
		—*—			
94	0519078-4	. DOOR PANEL-RH 172 FSO 0519078-18	81201	81259	NP
- 94A	0519078-4	. DOOR PANEL-RH 172S FSO 0519078-18	09569	09971	NP
- 94B	0519078-18	. DOOR PANEL-RH 172S	09972	& ON	01
- 94C	0519078-18	. DOOR PANEL-RH 172	81260	& ON	01
		ATTACHING PARTS			
95	S1021A4-6R	. SCREW			AR
- 96	S1021A4-8R	. SCREW			AR
- 97	S1021A4-10R	. SCREW			AR
		—*—			

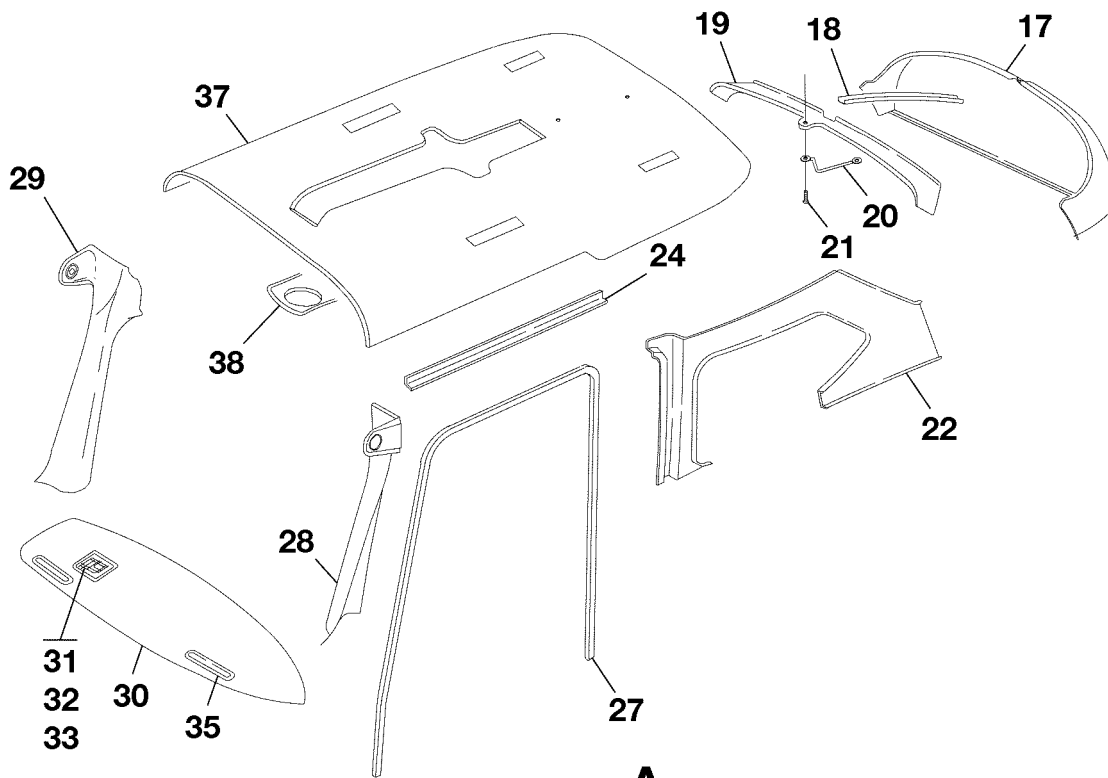
- ITEM NOT ILLUSTRATED

CESSNA AIRCRAFT COMPANY
MODEL 172 (SERIES 1996 AND ON)
 ILLUSTRATED PARTS CATALOG

B258



DETAIL B



DETAIL A

AIRPLANES 17280001 THRU 17280983 AND
 AIRPLANES 172S8001 THRU 172S8703

CABIN OVERHEAD TRIM
 FIGURE 01 (SHEET 1)

0510T1007
 A0519T3006
 B0519T3005

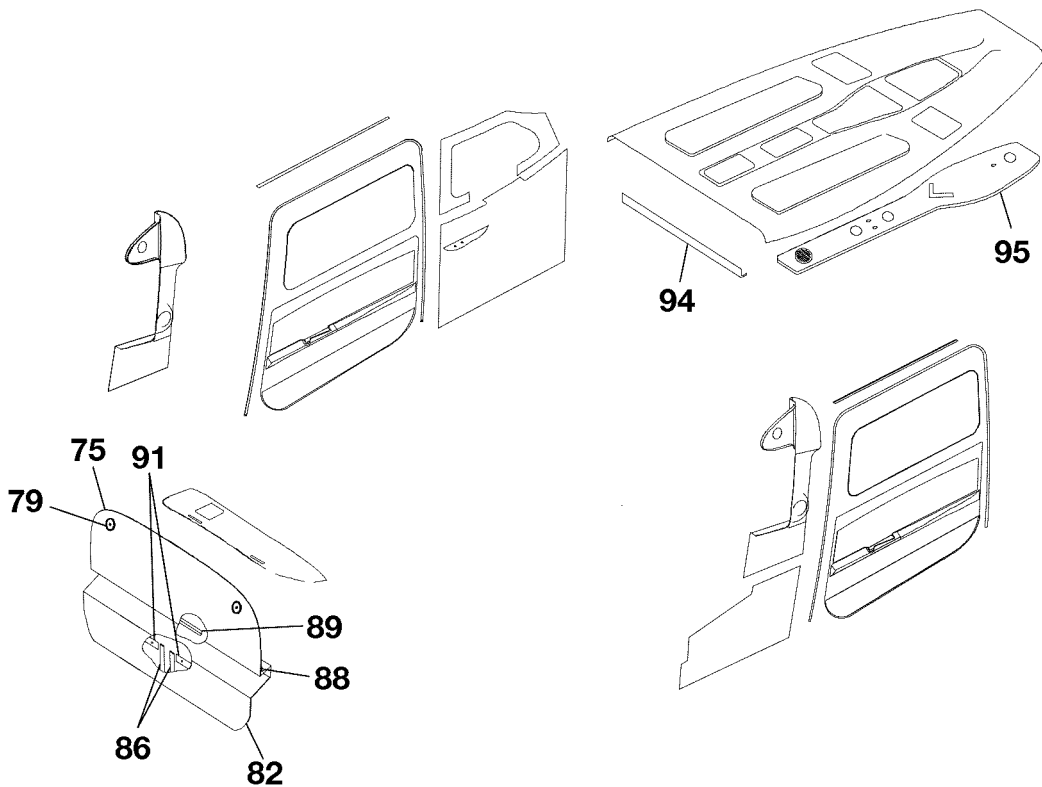
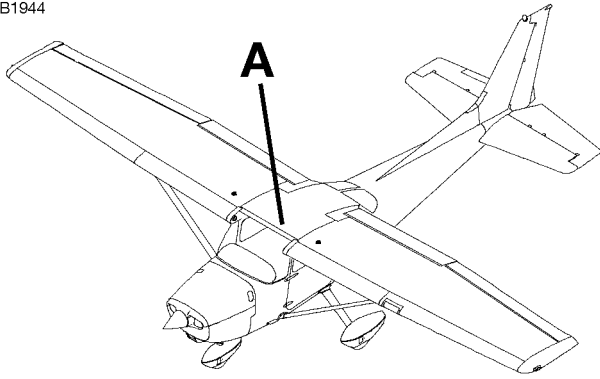
CESSNA AIRCRAFT COMPANY
MODEL 172 (SERIES 1996 AND ON)
ILLUSTRATED PARTS CATALOG

FIG ITEM	PART NUMBER	NOMENCLATURE	UNITS PER ASSY		
			1	2	3
01					
-		CABIN OVERHEAD TRIM	80001	80983	RF
			08001	08703	
1	0515015-15	. PANEL ASSY-BAGGAGE COMPARTMENT UPPER			01
2	S1022A4-6	. SCREW			03
3	0515019-8	. PANEL ASSY-BAGGAGE COMPARTMENT			01
4	0515016-13	. CARPET ASSY-BAGGAGE COMPARTMENT			01
5	0515012-5	. MOLDING ASSY-BAGGAGE COMPARTMENT			01
6	S2092-31	. HOOK-FABRIC FASTENER BAGGAGE BKI ALT F990014 ALT F99022			AR
7	S1022A4-6	. SCREW			AR
8	S1066C1	. WASHER			AR
9	0515012-6	. PANEL ASSY-BAGGAGE COMPARTMENT LOWER			01
10	0715079-3	. COVER-BAGGAGE DOOR			01
- 11	S3038-3	. FASTENER			08
12	0515036-4	. COVER-BAGGAGE DOOR HINGE			01
13	0515018-7	. MOLDING ASSY-BAGGAGE DOOR FRAME			01
14	0500210-99	. RETAINER			01
15	2415014-8	. PANEL ASSY			01
- 16	S1950-4E	. SCREW			03
17	0515053-4	. MOLDING-REAR WINDOW			01
18	0500210-179	. CENTER POST COVER			01
19	0515014-4	. MOLDING-AFT WINDOW			01
20	0515008-2	. HANGER-COAT			01
21	AN525-10R12	. SCREW			02
22	0515027-13	. MOLDING-LH AFT SIDE WINDOW			01
- 23	0515027-14	. MOLDING-RH AFT SIDE WINDOW			01
24	0515024-17	. TRIM-LH			01
- 25	0515024-18	. TRIM-RH			01
- 26	S1021Z4-4	. SCREW-LH AND RH			05
27	0515062-4	. WINDLACE ASSY			01
28	0515050-9	. SHIELD ASSY-LH			01
29	0515026-20	. SHIELD-RH			01
30	0500210-183	. COVER-COWL DECK			01
31	0500210-131	. GRILL-VENT			01
32	0513348-1	. RETAINER			01
33	S1021Z8-8	. SCREW-RETAINER ATTACH CADMIUM			08
- 34	NAS446-4-1	. NUT-RETAINER ATTACH			08
35	0713046-0	. RETAINER-DEFROSTER OUTLET			02
- 36	S1021Z4-6	. SCREW-RETAINER DEFROSTER OUTLET ATTACH			04
37		. HEADLINER ASSEMBLY REFER TO 25-20-10 FIGURE 05			RF
38		. OVERHEAD CONSOLE REFER TO 25-20-10 FIGURE 04			RF

- ITEM NOT ILLUSTRATED

CESSNA AIRCRAFT COMPANY
MODEL 172 (SERIES 1996 AND ON)
ILLUSTRATED PARTS CATALOG

B1944



DETAIL A

AIRPLANES 17280001 THRU 17280983 AND
AIRPLANES 172S8001 THRU 172S8703

CABIN OVERHEAD TRIM
FIGURE 01 (SHEET 2)

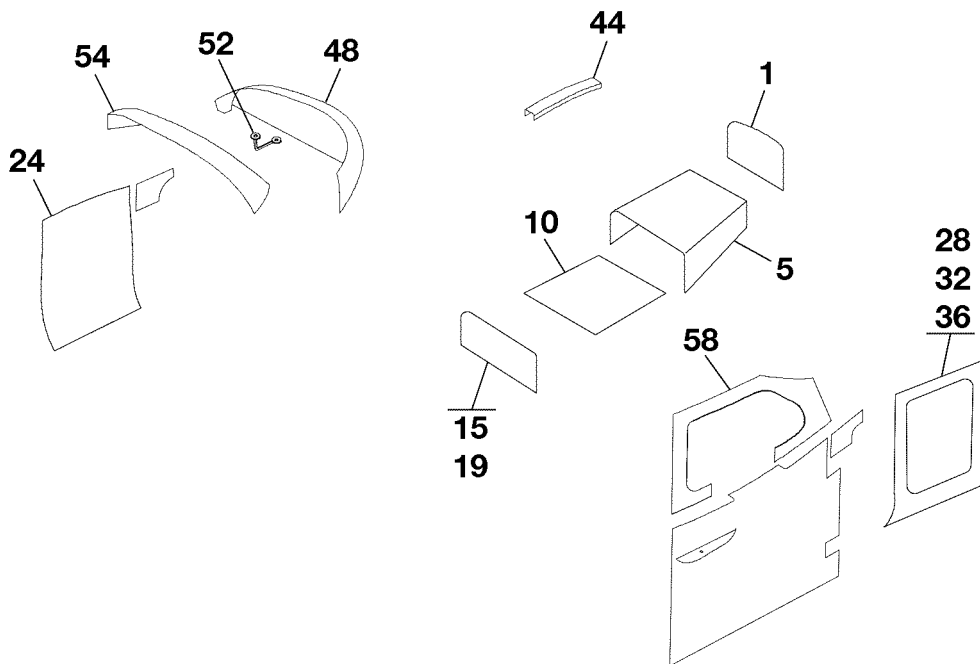
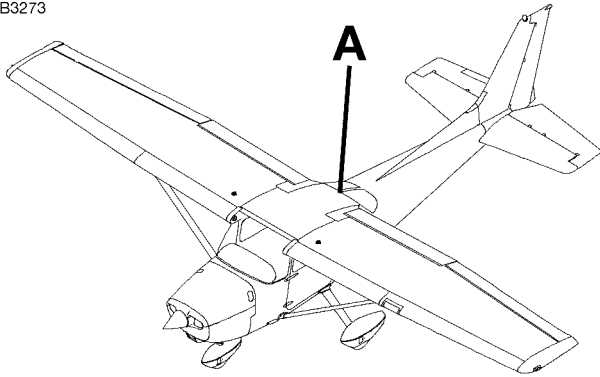
0510T1007
A0519T1081

CESSNA AIRCRAFT COMPANY
MODEL 172 (SERIES 1996 AND ON)
ILLUSTRATED PARTS CATALOG

FIG ITEM	PART NUMBER	NOMENCLATURE	UNITS	
			PER	ASSY
01				
75	0500210-48	. COVER-UPPER FIREWALL 172	80001	80698 01
- 76	0500210-48	. COVER-UPPER FIREWALL172S	08001	08113 01
- 77	0500210-185	. COVER-UPPER FIREWALL 172	80699	80983 01
- 78	0500210-185	. COVER-UPPER FIREWALL 172S	08114	08703 01
79	0400123-1	. DISC		02
		ATTACHING PARTS		
- 80	S1021Z10-10	. SCREW		02
- 81	NAS446-5-3	. NUT		02
		—*—		
82	0500210-184	. COVER-LOWER FIREWALL 172	80001	80698 01
- 83	0500210-184	. COVER-LOWER FIREWALL 172S	08001	08113 01
- 84	0500210-188	. COVER-LOWER FIREWALL 172	80699	80983 01
- 85	0500210-188	. COVER-LOWER FIREWALL 172S	08114	08703 01
- 85A	F441627	. . FIBERGLASS INSULATION-FIREWALL BKI		AR
86	0511033-7	. ANGLE		02
		ATTACHING PARTS		
- 86A	S1021Z4-6C	. SCREW		04
- 87	NAS446-4-3	. NUT		04
		—*—		
88	0511033-30	. ANGLE		01
- 88A	S1021Z4-6C	. SCREW		05
89	0513109-21	. RETAINER		01
		ATTACHING PARTS		
- 90	S1021Z4-6C	. SCREW		05
		—*—		
91	0700103-131	. STRIP		01
		ATTACHING PARTS		
- 92	S1021Z6-8	. SCREW		05
		—*—		
- 93	CM3902-8	. EXTRUSION		01
94	0514067-6	. RETAINER 172	80001	80983 01 R
- 94A	0514067-6	. RETAINER 172S	08001	08703 01 R
- 94B	0514067-9	. RETAINER 172	80984	81186 01 R
- 94C	0514067-9	. RETAINER 172S	08704	09519 01 R
- 94D	0519068-1	. RETAINER 172	81187	81200 01 R
- 94E	0519068-1	. RETAINER 172S	09520	09568 01 R
- 94F	0514067-12	. RETAINER 172	81201	81224 01 R
- 94G	0514067-12	. RETAINER 172S	09569	09690 01 R
- 94H	0519068-2	. RETAINER 172 FSO 0719118-1	81225	81544 NP R
- 94J	0719118-1	. RETAINER 172	81545	& ON 01 R
- 94K	0519068-2	. RETAINER 172S FSO 0719118-1	09691	10838 NP R
- 94L	0719118-1	. RETAINER 172S	10839	& ON 01 R
95		. OVERHEAD CONSOLE REFER TO 25-20-10 FIGURE 04		RF

CESSNA AIRCRAFT COMPANY
MODEL 172 (SERIES 1996 AND ON)
ILLUSTRATED PARTS CATALOG

B3273



DETAIL A

AIRPLANES 17280984 THRU 17281200 AND
AIRPLANES 172S8704 THRU 172S9568

CABIN OVERHEAD TRIM
FIGURE 02 (SHEET 1)

0510T1007
A0519T1082

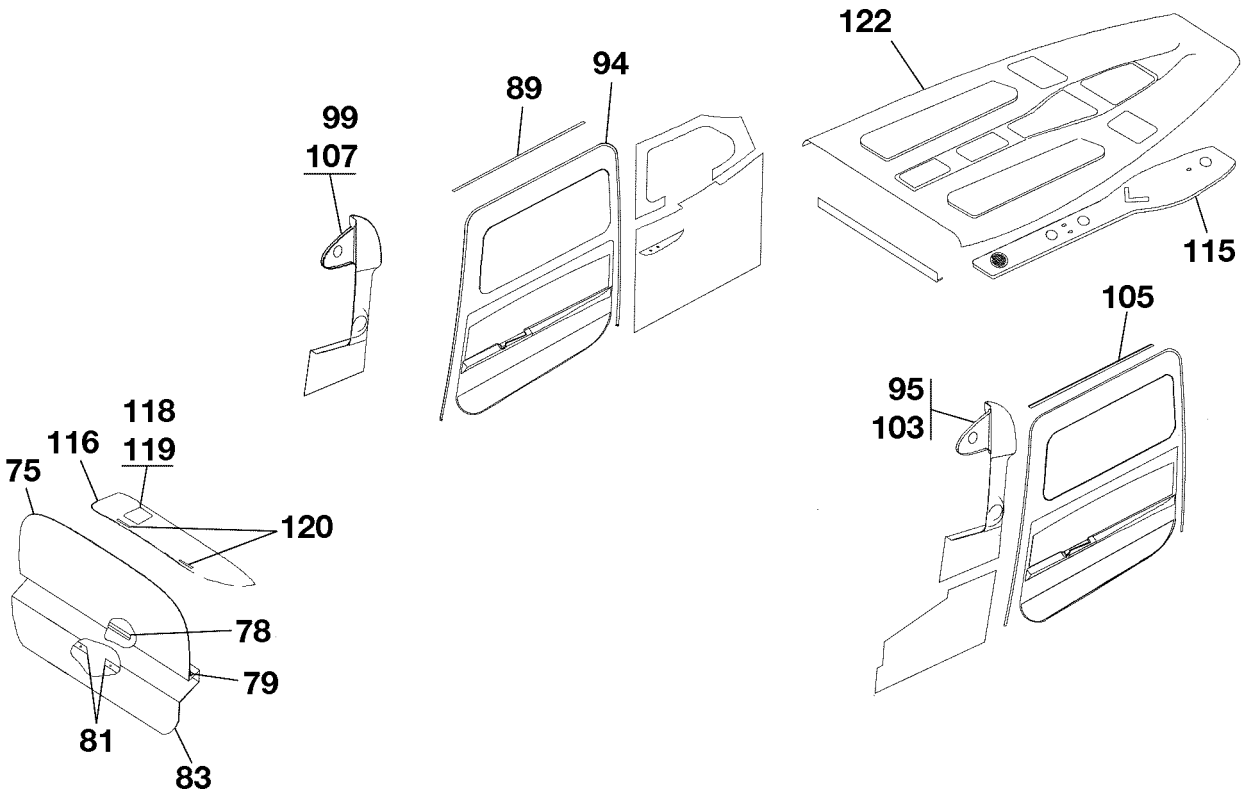
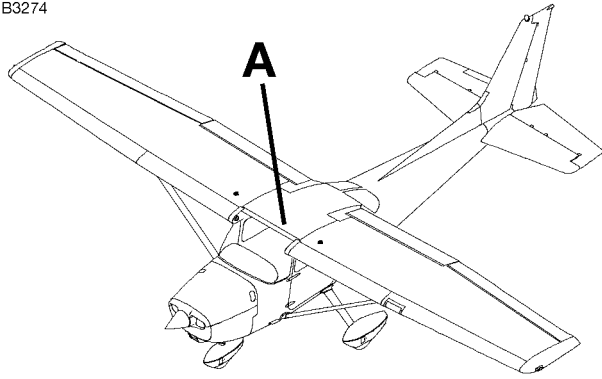
CESSNA AIRCRAFT COMPANY MODEL 172 (SERIES 1996 AND ON) ILLUSTRATED PARTS CATALOG

FIG ITEM	PART NUMBER	NOMENCLATURE	UNITS PER ASSY		
			1	2	3
02					
-		CABIN OVERHEAD TRIM	80984	81200	RF
			08704	09568	
1	0515019-10	. PANEL ASSY-BAGGAGE COMPARTMENT UPPER FSO 0515019-11 172 . . .	80984	81074	NP
- 2	0515019-10	. PANEL ASSY-BAGGAGE COMPARTMENT UPPER FSO 0515019-11 172S . . .	08704	08908	NP
- 3	0515019-11	. PANEL ASSY-BAGGAGE COMPARTMENT UPPER 172S . . .	81075	81200	01
- 4	0515019-11	. PANEL ASSY-BAGGAGE COMPARTMENT UPPER 172 . . .	08909	09568	01
5	0515015-17	. PANEL ASSY-BAGGAGE COMPARTMENT FSO 0515015-18 172 . . .	80984	81074	NP
- 6	0515015-17	. PANEL ASSY-BAGGAGE COMPARTMENT FSO 0515015-18 172S . . .	08704	08908	NP
- 7	0515015-18	. PANEL ASSY-BAGGAGE COMPARTMENT 172 . . .	81075	81200	01
- 8	0515015-18	. PANEL ASSY-BAGGAGE COMPARTMENT 172S . . .	08909	09568	01
- 9	S1022A4-6	. SCREW-PANEL ATTACH . . .			03
10	0519029-8	. CARPET ASSY-BAGGAGE COMPARTMENT . . .			01
- 11	F990014	. . FABRIC FASTENER BKI . . .			AR
- 12	F990308	. . FABRIC FASTENER BKI ALT FOR F990014 . . .			AR
- 13	F990300	. . FABRIC FASTENER BKI FSO F990312 . . .			NP R
- 13A	F990312	. . FABRIC FASTENER BKI . . .			AR R
- 14	S1066C1	. WASHER . . .			AR
15	0515012-9	. MOLDING-BAGGAGE COMPARTMENT FSO 0515012-13 172 . . .	80984	81074	NP
- 16	0515012-9	. MOLDING-BAGGAGE COMPARTMENT FSO 0515012-13 172S . . .	08704	08908	NP
- 17	0515012-13	. MOLDING-BAGGAGE COMPARTMENT 172 . . .	81075	81200	01
- 18	0515012-13	. MOLDING-BAGGAGE COMPARTMENT 172S . . .	08909	09568	01
19	0515012-8	. PANEL ASSY-BAGGAGE COMPARTMENT FSO 0515012-11 172 . . .	80984	81074	NP
- 20	0515012-8	. PANEL ASSY-BAGGAGE COMPARTMENT FSO 0515012-11 172S . . .	08704	08908	NP
- 21	0515012-11	. PANEL ASSY-BAGGAGE COMPARTMENT 172 . . .	81075	81200	01
- 22	0515012-11	. PANEL ASSY-BAGGAGE COMPARTMENT 172S . . .	08909	09568	01
- 23		. DELETED - NOT USED . . .			RF
24	2415014-10	. PANEL ASSY FSO 2415014-12 172 . . .	80984	81074	NP
- 25	2415014-10	. PANEL ASSY FSO 2415014-12 172S . . .	08704	08908	NP
- 26	2415014-12	. PANEL ASSY 172 . . .	81075	81200	01
- 27	2415014-12	. PANEL ASSY 172S . . .	08909	09568	01
28	0515036-5	. COVER-BAGGAGE DOOR HINGE FSO 0515036-6 172 . . .	80984	81074	NP
- 29	0515036-5	. COVER-BAGGAGE DOOR HINGE FSO 0515036-6 172S . . .	08704	08908	NP
- 30	0515036-6	. COVER-BAGGAGE DOOR HINGE 172 . . .	81075	81200	01
- 31	0515036-6	. COVER-BAGGAGE DOOR HINGE 172S . . .	08909	09568	01
32	0515018-8	. MOLDING ASSY-BAGGAGE FSO 0515018-10 172 . . .	80984	81074	NP
- 33	0515018-8	. MOLDING ASSY-BAGGAGE FSO 0515018-10 172S . . .	08704	08908	NP
- 34	0515018-10	. MOLDING ASSY-BAGGAGE 172 . . .	81075	81200	01
- 35	0515018-10	. MOLDING ASSY-BAGGAGE 172S . . .	08909	09568	01
36	0715079-4	. COVER-BAGGAGE DOOR DOOR FSO 0715079-5 172 . . .	80984	81074	NP
- 37	0715079-4	. COVER-BAGGAGE DOOR DOOR FSO 0715079-5 172S . . .	08704	08908	NP
- 38	0715079-5	. COVER-BAGGAGE DOOR 172 . . .	81075	81200	01
- 39	0715079-5	. COVER-BAGGAGE DOOR 172S . . .	08909	09568	01
- 40	0500210-99	. RETAINER . . .			01
- 41	S1194-1-17	. CHAIN . . .			01
- 42	MS35206-245	. SCREW . . .			AR
- 43	S3038-3	. FASTENER-FABRIC BAGGAGE . . .			AR
44	0500210-191	. CENTER POST COVER FSO 0500210-192 172 . . .	80984	81074	NP
- 45	0500210-191	. CENTER POST COVER FSO 0500210-192 172S . . .	08704	08908	NP
- 46	0500210-192	. CENTER POST COVER 172 . . .	81075	81200	01
- 47	0500210-192	. CENTER POST COVER 172S . . .	08909	09568	01
48	0515053-5	. MOLDING-REAR WINDOW FSO 0515053-6 172 . . .	80984	81074	NP
- 49	0515053-5	. MOLDING-REAR WINDOW FSO 0515053-6 172S . . .	08704	08908	NP
- 50	0515053-6	. MOLDING-REAR WINDOW 172 . . .	81075	81200	01
- 51	0515053-6	. MOLDING-REAR WINDOW 172S . . .	08909	09568	01
52	0515008-2	. HANGER-COAT . . .			01
- 53	AN525-10R12	. SCREW-HANGER ATTACH . . .			02
54	0515014-5	. MOLDING-AFT WINDOW FSO 0515014-6 172 . . .	80984	81074	NP
- 55	0515014-5	. MOLDING-AFT WINDOW FSO 0515014-6 172S . . .	08704	08908	NP
- 56	0515014-6	. MOLDING-AFT WINDOW 172 . . .	81075	81200	01
- 57	0515014-6	. MOLDING-AFT WINDOW 172S . . .	08909	09568	01
58	0515027-15	. MOLDING-LH AFT SIDE WINDOW FSO 0515027-17 172 . . .	80984	81074	NP
- 59	0515027-15	. MOLDING-LH AFT SIDE WINDOW FSO 0515027-17 172S . . .	08704	08908	NP
- 60	0515027-17	. MOLDING-LH AFT SIDE WINDOW 172 . . .	81075	81200	01
- 61	0515027-17	. MOLDING-LH AFT SIDE WINDOW 172S . . .	08909	09568	01
- 62	0515027-16	. MOLDING-RH AFT SIDE WINDOW FSO 0515027-18 172 . . .	80984	81074	NP
- 63	0515027-16	. MOLDING-RH AFT SIDE WINDOW FSO 0515027-18 172S . . .	08704	08908	NP
- 64	0515027-18	. MOLDING-RH AFT SIDE WINDOW 172 . . .	81075	81200	01
- 65	0515027-18	. MOLDING-RH AFT SIDE WINDOW 172S . . .	08909	09568	01

- ITEM NOT ILLUSTRATED

CESSNA AIRCRAFT COMPANY
MODEL 172 (SERIES 1996 AND ON)
ILLUSTRATED PARTS CATALOG

B3274



DETAIL A

AIRPLANES 17280984 THRU 17281200 AND
AIRPLANES 172S8704 THRU 172S9568

CABIN OVERHEAD TRIM
FIGURE 02 (SHEET 2)

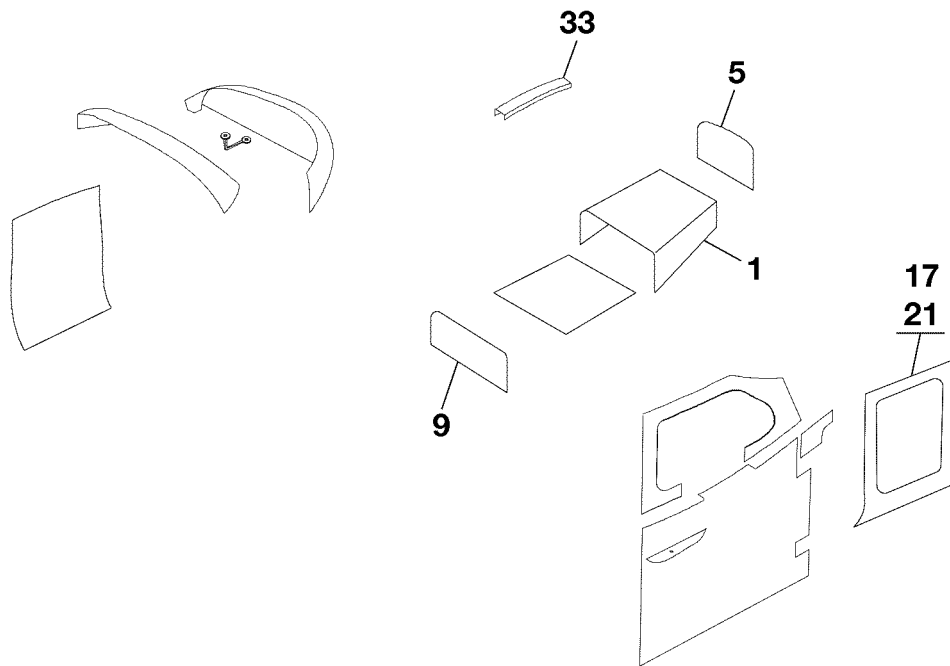
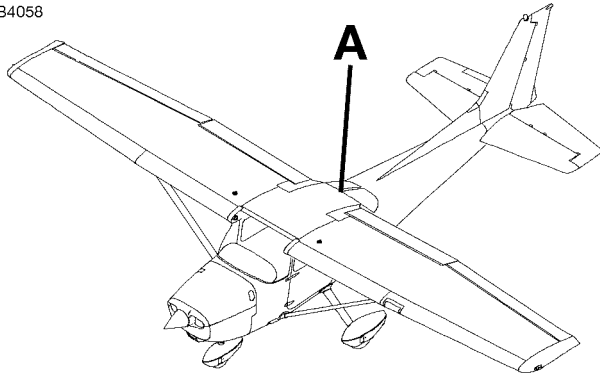
0510T1007
A0519T1081

CESSNA AIRCRAFT COMPANY
MODEL 172 (SERIES 1996 AND ON)
ILLUSTRATED PARTS CATALOG

FIG ITEM	PART NUMBER	NOMENCLATURE	UNITS		
			PER	ASSY	
02					
75	0500210-185	. COVER ASSY-UPPER FIREWALL 172	80984	81200	01
- 76	0500210-185	. COVER ASSY-UPPER FIREWALL 172S	08704	09568	01
- 77	S1021Z10-10	. SCREW COVER ASSY ATTACH			02
78	0513109-21	. RETAINER			01
79	0511033-30	. ANGLE			05
- 80	S1021Z4-6C	. SCREW ANGLE ATTACH			05
81	0700103-131	. STRIP			02
- 82	S1021Z6-8	. SCREW STRIP ATTACH			04
83	0500210-188	. COVER ASSY LOWER FIREWALL 172	80984	81200	01
- 84	0500210-188	. COVER ASSY LOWER FIREWALL 172S	08704	09568	01
- 85	0515024-19	. TRIM-LH FSO 0515024-21 172	80984	81074	NP
- 86	0515024-19	. TRIM-LH FSO 0515024-21 172S	08704	08908	NP
- 87	0515024-21	. TRIM-LH 172	81075	81200	01
- 88	0515024-21	. TRIM-LH 172S	08909	09568	01
89	0515024-20	. TRIM-RH FSO 0515024-22 172	80984	81074	NP
- 90	0515024-20	. TRIM-RH FSO 0515024-22 172S	08704	08908	NP
- 91	0515024-22	. TRIM-RH 172	81075	81200	01
- 92	0515024-22	. TRIM-RH 172S	08909	09568	01
- 93	S1021Z4-4	. SCREW-TRIM ATTACH LH AND RH			10
94	0515062-13	. WINDLACE ASSY			02
95	0719009-9	. MOLDING - ENCLOSED DOOR POST LH FSO 0719032-9 172	80984	81074	NP
- 96	0719009-9	. MOLDING - ENCLOSED DOOR POST LH FSO 0719032-9 172S	08704	08908	NP
- 97	0719032-9	. MOLDING - ENCLOSED DOOR POST LH 172 172	81075	81200	01
- 98	0719032-9	. MOLDING - ENCLOSED DOOR POST LH 172 172S	08909	09568	01
99	0719009-4	. MOLDING - ENCLOSED DOOR POST RH FSO 0719032-4 172	80984	81074	NP
- 100	0719009-4	. MOLDING - ENCLOSED DOOR POST RH FSO 0719032-4 172S	08704	08908	NP
- 101	0719032-4	. MOLDING - ENCLOSED DOOR POST RH 172	81075	81200	01
- 102	0719032-4	. MOLDING - ENCLOSED DOOR POST RH 172S	08909	09568	01
103	0719009-7	. MOLDING - CLOSEOUT DOOR POST LH FSO 0719032-7 172	80984	81074	NP
- 104	0719009-7	. MOLDING - CLOSEOUT DOOR POST LH FSO 0719032-7 172S	08704	08908	NP
105	0719032-7	. MOLDING - CLOSEOUT DOOR POST LH 172	81075	81200	01
- 106	0719032-7	. MOLDING - CLOSEOUT DOOR POST LH 172S	08909	09568	01
107	0719009-8	. MOLDING - CLOSEOUT DOOR POST RH FSO 0719032-8 172	80984	81074	NP
- 108	0719009-8	. MOLDING - CLOSEOUT DOOR POST RH FSO 0719032-8 172S	08704	08908	NP
- 109	0719032-8	. MOLDING - CLOSEOUT DOOR POST RH 172	81075	81200	01
- 110	0719032-8	. MOLDING - CLOSEOUT DOOR POST RH 172S	08909	09568	01
- 111	S1021Z8-10	. SCREW-MOLDING ATTACH			AR
- 112	S1021A4-8L	. SCREW-MOLDING ATTACH			AR
- 113	122597	. PSA SPACER V1DT52			02
- 114	122598	. PSA SPACER V1DT52			02
115		. OVERHEAD CONSOLE ASSY REFER TO 25-20-10 FIGURE 04			RF
116	0500210-183	. COVER-COWL DECK			01
- 117	S1021Z4-4J	. SCREW-COVER ATTACH			AR
118	0513348-1	. RETAINER			01
119	0500210-131	. GRILL-VENT			01
120	0713046-0	. RETAINER-DEFROSTER OUTLET			02
- 121	S1021Z4-6J	. SCREW-RETAINER DEFROSTER OUTLET ATTACH			08
122		. HEADLINER ASSY REFER TO 25-20-10 FIGURE 05			RF

CESSNA AIRCRAFT COMPANY
MODEL 172 (SERIES 1996 AND ON)
ILLUSTRATED PARTS CATALOG

B4058



DETAIL A

AIRPLANES 17281201 AND ON AND
AIRPLANES 172S9569 AND ON

CABIN OVERHEAD TRIM
FIGURE 03 (SHEET 1)

0510T1007
A0519T1082

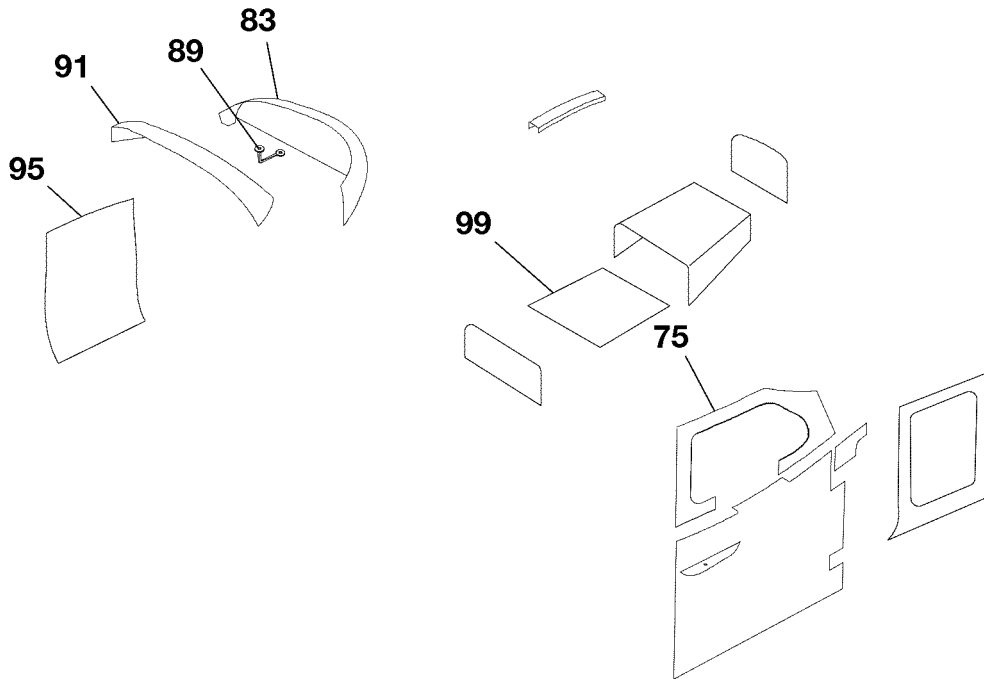
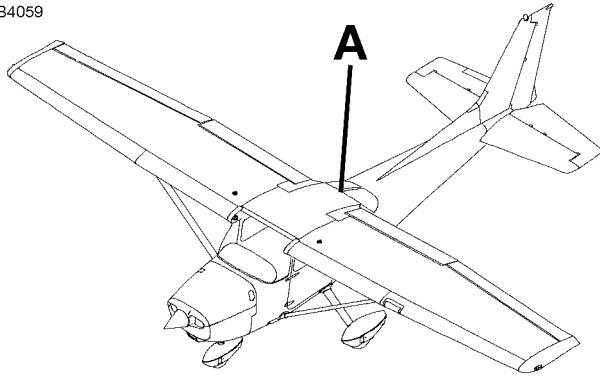
CESSNA AIRCRAFT COMPANY
MODEL 172 (SERIES 1996 AND ON)
ILLUSTRATED PARTS CATALOG

FIG ITEM	PART NUMBER	NOMENCLATURE	UNITS PER ASSY
	1 2 3 4 5 6 7		
03			
-		CABIN OVERHEAD TRIM	
			81201 & ON RF
			09569 & ON
1	0515015-20	. PANEL ASSY-UPPER FSO 0515015-22 172	81201 81259 NP
- 2	0515015-20	. PANEL ASSY-UPPER FSO 0515015-22 172S	09569 09971 NP
- 3	0515015-22	. PANEL ASSY-UPPER 172	81260 81506 01
- 4	0515015-22	. PANEL ASSY-UPPER 172S	09972 10688 01 R
- 4A	0515015-24	. PANEL ASSY-UPPER 172	81507 81568 01
- 4B	0515015-24	. PANEL ASSY-UPPER 172S	10689 11045 01 R
- 4C	0515015-28	. PANEL ASSY-UPPER 172	81568 & ON 01
- 4E	0515015-28	. PANEL ASSY-UPPER 172S	11046 & ON 01
5	0515019-13	. PANEL ASSY FSO 0515019-15 172	81201 81259 NP
- 6	0515019-13	. PANEL ASSY FSO 0515019-15 172S	09569 09971 NP
- 7	0515019-15	. PANEL ASSY 172	81260 81565 01
- 8	0515019-15	. PANEL ASSY 172S	09972 11045 01
- 8A	0515019-17	. PANEL ASSY 172	81569 & ON 01
- 8B	0515019-17	. PANEL ASSY 172S	11046 & ON 01
9	0515012-14	. PANEL ASSY FSO 0515012-17 172	81201 81259 NP
- 10	0515012-14	. PANEL ASSY FSO 0515012-17 172S	09569 09971 NP
- 11	0515012-17	. PANEL ASSY 172	81260 81568 01
- 12	0515012-17	. PANEL ASSY 172S	09972 11045 01
- 12A	0515012-20	. PANEL ASSY 172	81569 & ON 01
- 12B	0515012-20	. PANEL ASSY 172S	11046 & ON 01
- 13	0515012-15	. MOLDING FSO 0515012-18 172	81201 81259 NP
- 14	0515012-15	. MOLDING FSO 0515012-18 172S	09569 09971 NP
- 15	0515012-18	. MOLDING 172	81260 81565 01
- 16	0515012-18	. MOLDING 172S	09972 11045 01
- 16A	0515012-21	. MOLDING 172	81566 & ON 01
- 16B	0515012-21	. MOLDING 172S	11046 & ON 01
17	0515036-7	. COVER-BAGGAGE DOOR HINGE FSO 0515036-8 172	81201 81259 NP
- 18	0515036-7	. COVER-BAGGAGE DOOR HINGE FSO 0515036-8 172S	09569 09971 NP
- 19	0515036-8	. COVER-BAGGAGE DOOR HINGE 172	81260 81565 01
- 20	0515036-8	. COVER-BAGGAGE DOOR HINGE 172S	09972 11045 01
- 20A	0515036-9	. COVER-BAGGAGE DOOR HINGE 172	81566 & ON 01
- 20B	0515036-9	. COVER-BAGGAGE DOOR HINGE 172S	11046 & ON 01
21	0515018-12	. MOLDING ASSY FSO 0515018-14 172	81201 81259 NP
- 22	0515018-12	. MOLDING ASSY FSO 0515018-14 172S	09569 09971 NP
- 23	0515018-14	. MOLDING ASSY 172	81260 81565 01
- 24	0515018-14	. MOLDING ASSY 172S	09972 11045 01
- 24A	0515018-16	. MOLDING ASSY 172	81566 & ON 01
- 24B	0515018-16	. MOLDING ASSY 172S	11046 & ON 01
- 25	0715079-6	. COVER-BAGGAGE DOOR PANEL FSO 0715079-7 172	81201 81259 NP
- 26	0715079-6	. COVER-BAGGAGE DOOR PANEL FSO 0715079-7 172S	09569 09971 NP
- 27	0715079-7	. COVER-BAGGAGE DOOR 172	81260 81565 01
- 28A	0715079-7	. COVER-BAGGAGE DOOR 172S	09972 11045 01
- 28B	0715079-8	. COVER-BAGGAGE DOOR 172	81566 & ON 01
- 28C	0715079-8	. COVER-BAGGAGE DOOR 172S	11046 & ON 01
- 29	0500210-99	. RETAINER	01
- 30	S1194-1-17	. CHAIN	01
- 31	MS35206-245	. SCREW	02
- 32	S3038-3	. FASTENER	08
33	0500210-193	. CENTER POST COVER FSO 0500210-198 172	81201 81259 NP
- 34	0500210-193	. CENTER POST COVER FSO 0500210-198 172S	09569 09971 NP
- 35	0500210-198	. CENTER POST COVER 172	81260 & ON 01
- 36	0500210-198	. CENTER POST COVER 172S	09972 & ON 01

- ITEM NOT ILLUSTRATED

CESSNA AIRCRAFT COMPANY
MODEL 172 (SERIES 1996 AND ON)
ILLUSTRATED PARTS CATALOG

B4059



DETAIL A

AIRPLANES 17281201 AND ON AND
AIRPLANES 172S9569 AND ON

CABIN OVERHEAD TRIM
FIGURE 03 (SHEET 2)

0510T1007
A0519T1082

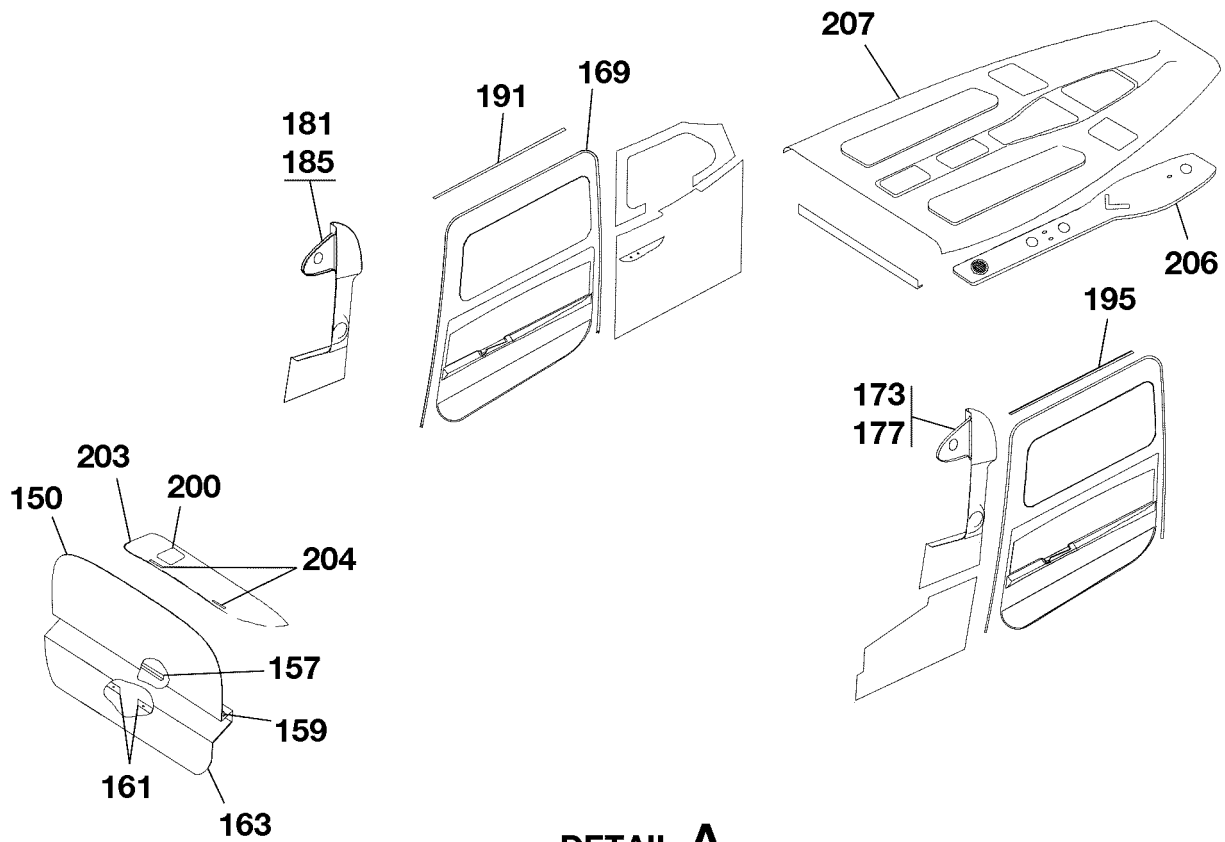
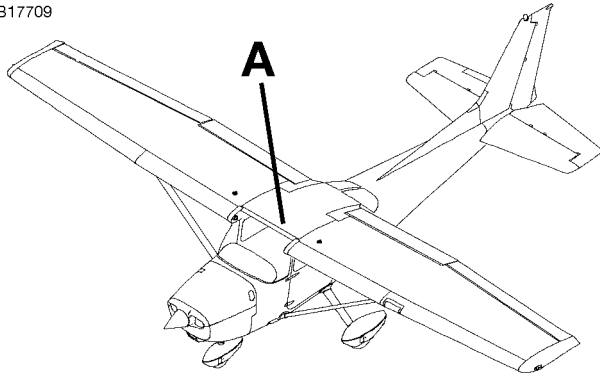
CESSNA AIRCRAFT COMPANY
MODEL 172 (SERIES 1996 AND ON)
ILLUSTRATED PARTS CATALOG

FIG ITEM	PART NUMBER	NOMENCLATURE	UNITS PER ASSY		
			1	2	3
03					
75	0515027-19	. MOLDING-LH FSO 0515027-21 172	81201	81259	NP
- 76	0515027-19	. MOLDING-LH FSO 0515027-21 172S	09569	09971	NP
- 77	0515027-21	. MOLDING-LH 172	81260	& ON	01
- 78	0515027-21	. MOLDING-LH 172S	09972	& ON	01
- 79	0515027-20	. MOLDING-RH FSO 0515027-22 172	81201	81259	NP
- 80	0515027-20	. MOLDING-RH FSO 0515027-22 172S	09569	09971	NP
- 81	0515027-22	. MOLDING-RH 172	81260	& ON	01
- 82	0515027-22	. MOLDING-RH 172S	09972	& ON	01
83	0515053-7	. MOLDING-LH FSO 0515053-8 172	81201	81259	NP
- 84	0515053-7	. MOLDING FSO 0515053-8 172S	09569	09971	NP
- 85	0515053-8	. MOLDING 172	81260	81568	01
- 86	0515053-8	. MOLDING 172S	09972	11045	01
- 87	0515053-9	. MOLDING 172	81569	& ON	01
- 88	0515053-9	. MOLDING 172S	11046	& ON	01
89	0515008-2	. HANGER			01
- 90	AN525-10R12	. SCREW-HANGER ATTACH			12
91	0515014-7	. MOLDING-AFT WINDOW FSO 0515014-8 172	81201	81259	NP
- 92	0515014-7	. MOLDING-AFT WINDOW FSO 0515014-8 172S	09569	09971	NP
- 93	0515014-8	. MOLDING-AFT WINDOW 172	81260	& ON	01
- 94	0515014-8	. MOLDING-AFT WINDOW 172S	09972	& ON	01
95	2415014-14	. PANEL ASSY FSO 2415014-16 172	81201	81259	NP
- 96	2415014-14	. PANEL ASSY FSO 2415014-16 172S	09569	09971	NP
- 97	2415014-16	. PANEL ASSY 172	81260	81565	01
- 98	2415014-16	. PANEL ASSY 172S	09972	11045	01
- 98A	2415014-18	. PANEL ASSY 172	81566	& ON	01
- 98B	2415014-18	. PANEL ASSY 172S	11046	& ON	01
99		. FLOOR COVER REFER TO 25-23-00 FIGURE 02			RF

- ITEM NOT ILLUSTRATED

CESSNA AIRCRAFT COMPANY
MODEL 172 (SERIES 1996 AND ON)
ILLUSTRATED PARTS CATALOG

B17709



DETAIL A

AIRPLANES 17281201 AND ON AND
AIRPLANES 172S9569 AND ON

CABIN OVERHEAD TRIM
FIGURE 03 (SHEET 3)

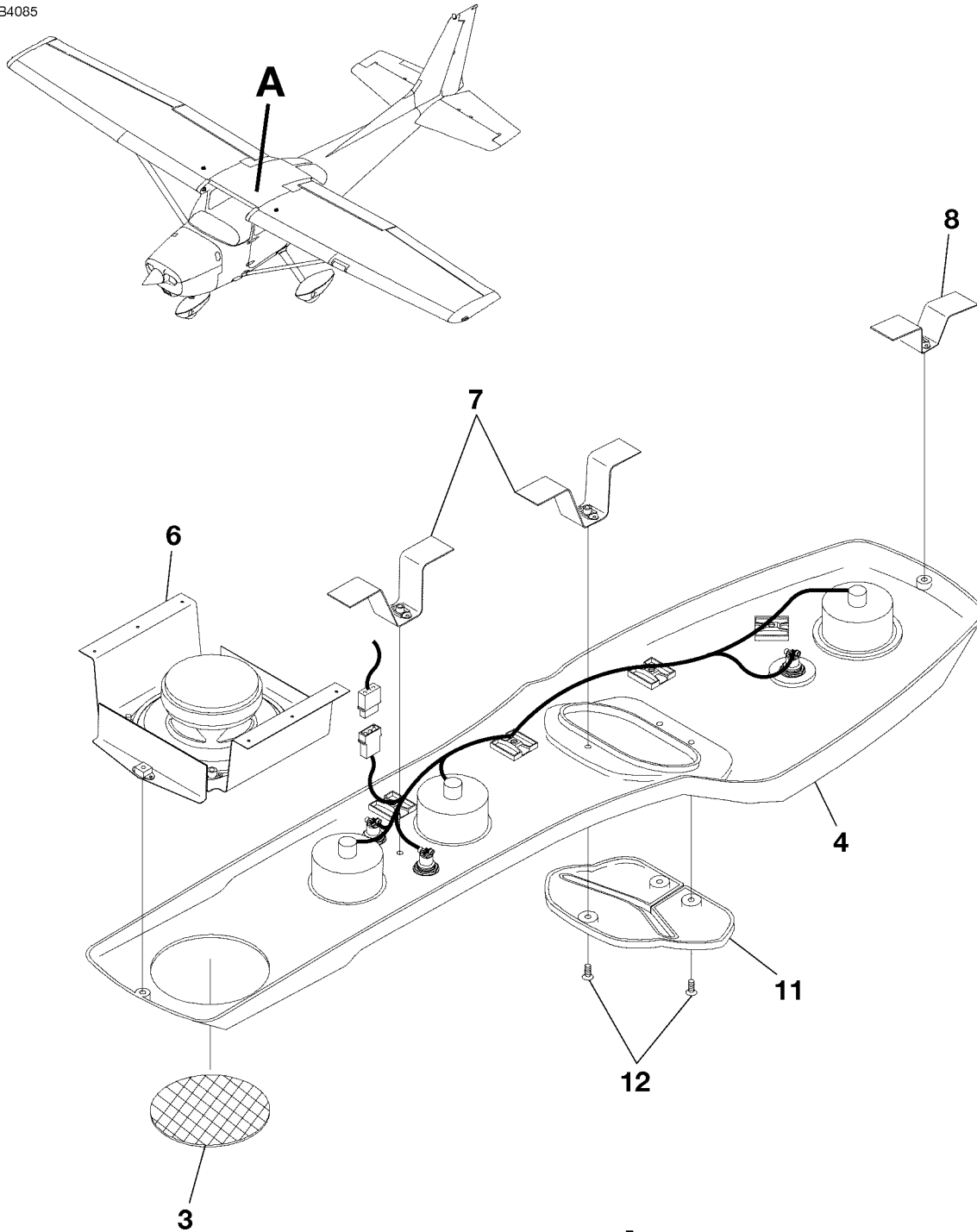
0510T1007
A0519T1081

CESSNA AIRCRAFT COMPANY
MODEL 172 (SERIES 1996 AND ON)
ILLUSTRATED PARTS CATALOG

FIG ITEM	PART NUMBER	NOMENCLATURE	UNITS	
			PER	ASSY
		1 2 3 4 5 6 7		
03				
150	0500210-185	. COVER ASSY-UPPER FIREWALL FSO 0500210-195 172	80984	81223 NP
- 151	0500210-185	. COVER ASSY-UPPER FIREWALL FSO 0500210-195 172S	09704	09676 NP
- 152	0500210-195	. COVER ASSY-UPPER FIREWALL 172	81224	81535 01
- 153	0500210-195	. COVER ASSY-UPPER FIREWALL 172S	09677	10770 01
- 154	0500209-1	. COVER ASSY-UPPER FIREWALL 172	81536	& ON 01
- 155	0500209-1	. COVER ASSY-UPPER FIREWALL 172S	10771	& ON 01
- 156	S1021Z10-10	. SCREW-COVER ATTACH		02
157	0513109-21	. RETAINER		01
- 158	S1023A6-12B	. SCREW-RETAINER ATTACH		05
159	0511033-30	. ANGLE		01
- 160	S1023A6-12B	. SCREW-ANGLE ATTACH		05
161	0700103-131	. STRIP		02
- 162	S1021Z6-8	. SCREW-STRIP ATTACH		04
163	0500210-188	. COVER ASSY-LWR FW FSO 0500210-194 172	81201	81223 NP
- 164	0500210-188	. COVER ASSY-LWR FW FSO 0500210-194 172S	09569	09676 NP
- 165	0500210-194	. COVER ASSY-LWR FW 172	81224	81535 01
- 166	0500210-194	. COVER ASSY-LWR FW 172S	09677	10770 01
- 167	0500209-4	. COVER ASSY-LWR FW 172	81536	& ON 01
- 168	0500209-4	. COVER ASSY-LWR FW 172S	10771	& ON 01
169	0515062-25	. WINDLACE ASSY 172	81201	81251 01
- 170	0515062-25	. WINDLACE ASSY 172S	09569	09889 01
- 171	0515062-31	. WINDLACE ASSY 172	81252	& ON 01
- 172	0515062-31	. WINDLACE ASSY 172S	09890	& ON 01
173	0719032-16	. ENCLOSED DOORPOST MOLDING ASSY LH FSO 0719032-21 172	81201	81253 NP
- 174	0719032-16	. ENCLOSED DOORPOST MOLDING ASSY LH FSO 0719032-21 172S	09569	09893 NP
- 175	0719032-21	. ENCLOSED DOORPOST MOLDING ASSY LH 172	81254	& ON 01
- 176	0719032-21	. ENCLOSED DOORPOST MOLDING ASSY LH 172S	09894	& ON 01
177	0719032-17	. DOORPOST MOLDING CLOSEOUT LH FSO 0719032-29 172	81201	81253 NP
- 178	0719032-17	. DOORPOST MOLDING CLOSEOUT LH FSO 0719032-29 172S	09569	09893 NP
- 179	0719032-29	. DOORPOST MOLDING CLOSEOUT LH 172	81254	& ON 01
- 180	0719032-29	. DOORPOST MOLDING CLOSEOUT LH 172S	09894	& ON 01
181	0719032-15	. ENCLOSED DOORPOST MOLDING ASSY RH FSO 0719032-26 172	81201	81253 NP
- 182	0719032-15	. ENCLOSED DOORPOST MOLDING ASSY RH FSO 0719032-26 172S	09569	09893 NP
- 183	0719032-26	. ENCLOSED DOORPOST MOLDING ASSY RH 172	81254	& ON 01
- 184	0719032-26	. ENCLOSED DOORPOST MOLDING ASSY RH 172S	09894	& ON 01
185	0719032-18	. DOORPOST MOLDING CLOSEOUT RH FSO 0719032-28 172	81201	81253 NP
- 186	0719032-18	. DOORPOST MOLDING CLOSEOUT RH FSO 0719032-28 172S	09569	09893 NP
- 187	0719032-28	. DOORPOST MOLDING CLOSEOUT RH 172	81254	& ON 01
- 188	0719032-28	. DOORPOST MOLDING CLOSEOUT RH 172S	09894	& ON 01
- 189	S1021A4-10R	. SCREW-MOLDING ATTACH		AR
- 190	S1021A4-8R	. SCREW-MOLDING ATTACH		AR
191	0515024-24	. TRIM RH FSO 0515024-26 172	81201	81259 NP
- 192	0515024-24	. TRIM RH FSO 0515024-26 172S	09569	09971 NP
- 193	0515024-26	. TRIM RH 172	81260	& ON 01
- 194	0515024-26	. TRIM RH 172S	09972	& ON 01
195	0515024-23	. TRIM LH FSO 0515024-25 172	81201	81259 NP
- 196	0515024-23	. TRIM LH FSO 0515024-25 172S	09569	09971 NP
- 197	0515024-25	. TRIM LH 172	81260	& ON 01
- 198	0515024-25	. TRIM LH 172S	09972	& ON 01
- 199	S1021A4-10R	. SCREW-TRIM ATTACH		05
200	0513348-1	. RETAINER		01
- 201	S1021Z4-4J	. SCREW-RETAINER ATTACH		08
- 202	0500210-131	. GRILL		01
203	0500210-183	. COVER - COWL DECK		01
204	0713046-0	. RETAINER		02
- 205	S1021Z4-6J	. SCREW-RETAINER ATTACH		02
206		. OVERHEAD CONSOLE ASSY REFER TO 25-20-10 FIGURE 04		RF
207		. HEADLINER ASSY REFER TO 25-20-10 FIGURE 05		RF

CESSNA AIRCRAFT COMPANY
MODEL 172 (SERIES 1996 AND ON)
ILLUSTRATED PARTS CATALOG

B4085



DETAIL A

OVERHEAD CONSOLE INSTALLATION
FIGURE 04 (SHEET 1)

0510T1007
A0519T1050

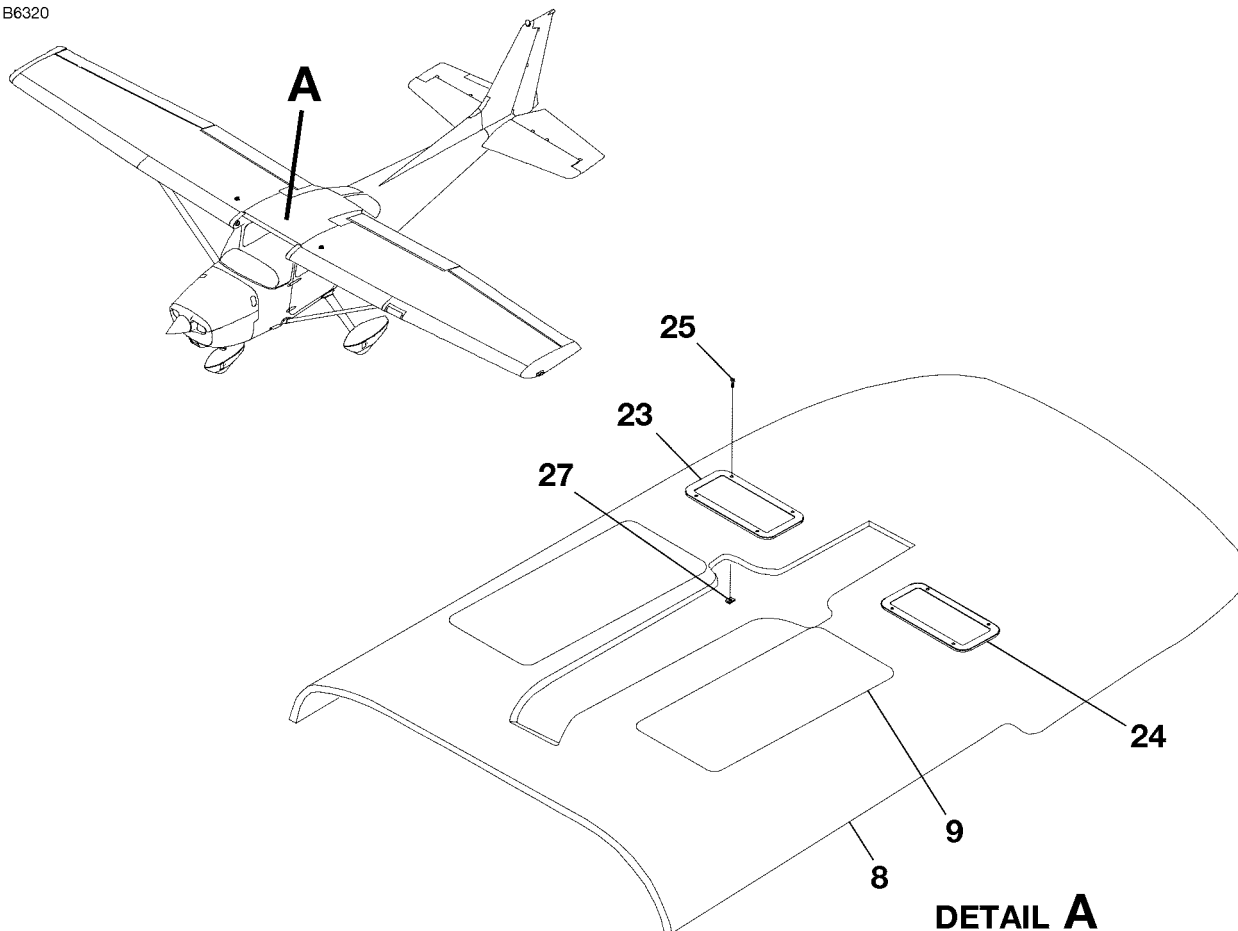
CESSNA AIRCRAFT COMPANY
MODEL 172 (SERIES 1996 AND ON)
ILLUSTRATED PARTS CATALOG

FIG ITEM	PART NUMBER	NOMENCLATURE	UNITS PER ASSY	
		1 2 3 4 5 6 7		
04		OVERHEAD CONSOLE INSTALLATION		RF
-		. OVERHEAD CONSOLE ASSY 172	80001	80983 01 R
- 1	0515073-1	. OVERHEAD CONSOLE ASSY 172S	08001	08703 01 R
- 1A	0515073-1	. OVERHEAD CONSOLE ASSY 172	80984	81200 01 R
- 1B	0519018-1	. OVERHEAD CONSOLE ASSY 172S	08704	09568 01 R
- 1C	0519018-1	. OVERHEAD CONSOLE ASSY 172	81201	81233 01 R
- 1D	0519076-1	. OVERHEAD CONSOLE ASSY 172S	09569	09770 01 R
- 1E	0519076-1	. OVERHEAD CONSOLE ASSY 172 FSO 0519089-3	81234	81259 NP R
- 1F	0519089-1	. OVERHEAD CONSOLE ASSY 172S FSO 0519089-3	09771	09971 NP R
- 1G	0519089-1	. OVERHEAD CONSOLE ASSY 172	81260	81272 01 R
- 1H	0519089-3	. OVERHEAD CONSOLE ASSY 172S	09972	10102 01 R
- 1J	0519089-3	. OVERHEAD CONSOLE ASSY 172	81273	& ON 01 R
- 1K	0719107-2	. OVERHEAD CONSOLE ASSY 172S	10103	& ON 01 R
- 1L	0719107-2	. OVERHEAD CONSOLE ASSY SKYLIGHT OPTION 172	81273	& ON 01 R
- 2	0719107-3	. OVERHEAD CONSOLE ASSY SKYLIGHT OPTION 172S	10103	& ON 01 R
- 2A	0719107-3		
3	0515073-12		
4	0515073-2	80001	80983 01 R
- 4A	0515073-2	08001	08703 01 R
- 4B	0519018-2	80984	81200 01 R
- 4C	0519018-2	08704	09568 01 R
- 4D	0519076-2	81201	81233 01 R
- 4E	0519076-2	09569	09770 01 R
- 4F	0519089-2	81234	81259 NP R
- 4G	0519089-2	09771	09971 NP R
- 4H	0519089-4	81260	81272 01 R
- 4J	0519089-4	09972	10102 01 R
- 4K	0719109-2	81273	& ON 01 R
- 4L	0719109-2	10103	& ON 01 R
- 5	0719109-3	81273	& ON 01 R
- 5A	0719109-3	10103	& ON 01 R
6			
7	0515073-9		RF R
- 7A	0515073-32	81273	81407 NP R
- 7B	0515073-32	10103	10582 NP R
- 7C	0515073-34	81408	& ON 01 R
- 7D	0515073-34	10583	& ON 01 R
8	0515073-17		01 R
- 9	0519069-5	81273	& ON 01 R
- 9A	0519069-5	10103	& ON 01 R
- 10	MS21060L08		01 R
11	0515073-3	80001	80781 01 R
- 11A	0515073-3	08001	08268 01 R
- 11B	0515073-27	80782	80983 01 R
- 11C	0515073-27	08269	08703 01 R
- 11D	0519018-3	80984	81074 NP R
- 11E	0519018-3	08704	08908 NP R
- 11F	0519018-4	81075	81200 NP R
- 11G	0519018-4	08909	09568 NP R
- 11H	0519076-3	81201	81259 01 R
- 11J	0519076-3	09569	09971 01 R
- 11K	0519076-4	81260	81609 NP R
- 11L	0519076-4	09972	11176 NP R
- 11M	0719089-7	81610	& ON 01 R
- 11N	0719089-7	11177	& ON 01 R
12	S3323E1	80001	80983 AR R
- 12A	S3323E1	08001	08703 AR R
- 12B	S3926-8-14V	80984	81200 AR R
- 12C	S3926-8-14V	08704	08908 AR R
- 12D	S3926-8-14N	81201	81272 AR R
- 12E	S3926-8-14N	08909	10102 AR R
- 12F	S3926-8-16N	81273	& ON AR R
- 12G	S3926-8-16N	10103	& ON AR R

- ITEM NOT ILLUSTRATED

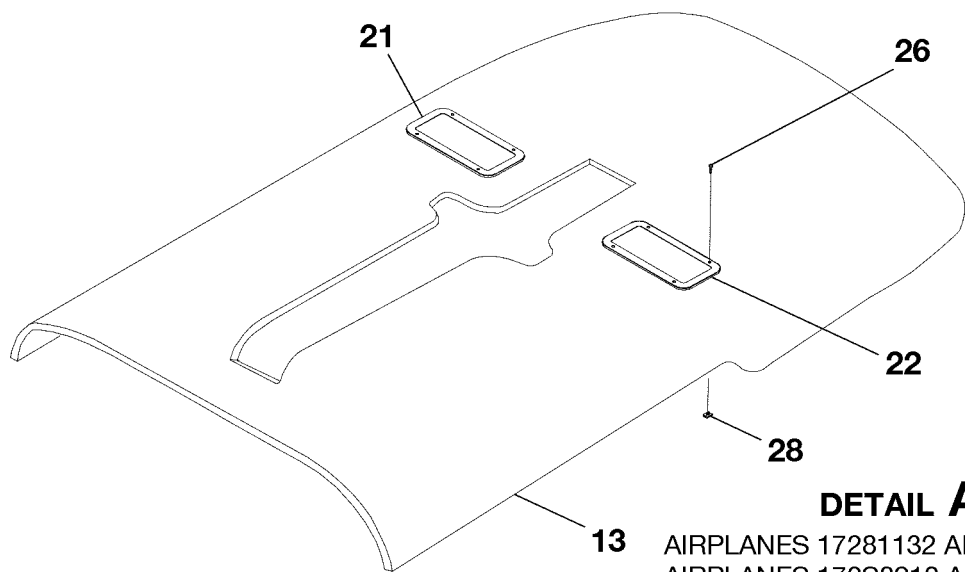
CESSNA AIRCRAFT COMPANY
MODEL 172 (SERIES 1996 AND ON)
 ILLUSTRATED PARTS CATALOG

B6320



DETAIL A

AIRPLANES 17280001 THRU 17281131 AND
 AIRPLANES 172S8001 THRU 172S8909



DETAIL A

AIRPLANES 17281132 AND ON AND
 AIRPLANES 172S8910 AND ON

0510T1007
 A0519T1107
 A0519T1107A

HEADLINER ASSEMBLY
 FIGURE 05 (SHEET 1)

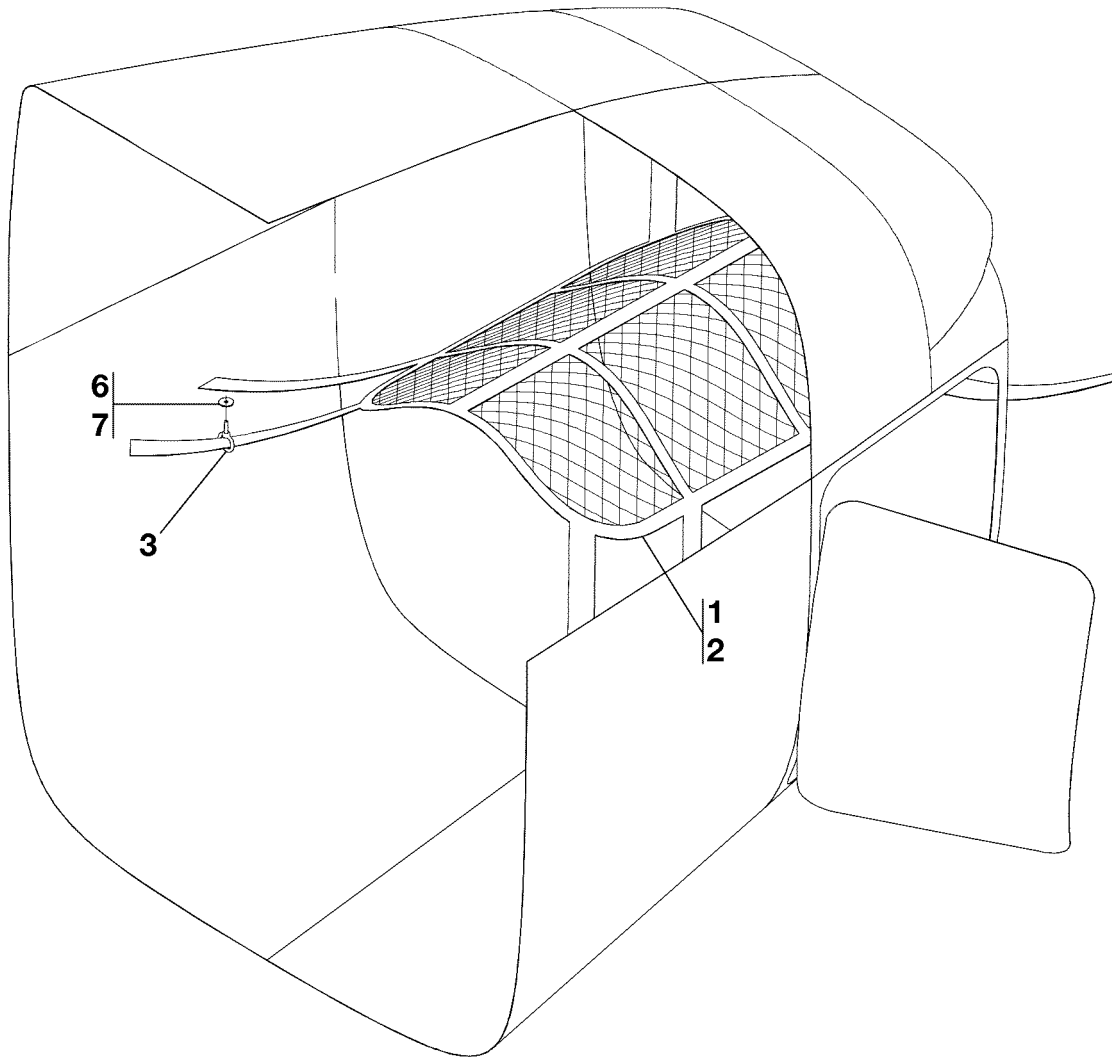
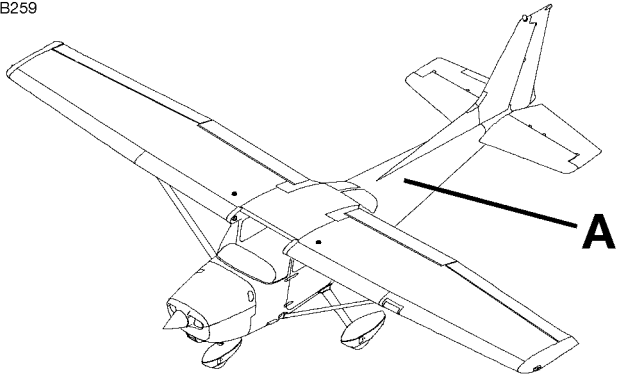
CESSNA AIRCRAFT COMPANY
MODEL 172 (SERIES 1996 AND ON)
ILLUSTRATED PARTS CATALOG

FIG ITEM	PART NUMBER	NOMENCLATURE	UNITS PER ASSY	
			1	2
05		HEADLINER ASSEMBLY		RF
-				
- 1	0515072-2	. HEADLINER 172 VINYL FSO 0519038-200	80001	80781 NP
- 1A	0515072-2	. HEADLINER 172S VINYL FSO 0519038-200	08001	08268 NP
- 1B	0515072-4	. HEADLINER 172 KYDEX FSO 0519038-201	80782	80983 NP
- 1C	0515072-4	. HEADLINER 172S KYDEX FSO 0519038-201	08269	08703 NP
- 2	0519038-200	. HEADLINER ASSY 172	80001	80983 01
- 2B	0519038-200	. HEADLINER ASSY 172S	08001	08703 01
- 3	0519017-1	. HEADLINER ASSY 172	80984	81068 01
- 3A	0519017-1	. HEADLINER ASSY 172S	08704	08895 01
- 4	0519017-5	. HEADLINER ASSY 172 FSO 0519044-1	81069	81074 NP
- 4A	0519017-5	. HEADLINER ASSY 172S FSO 0519044-1	08896	08908 NP
- 4B	0519044-1	. HEADLINER ASSY 172	81075	81131 01
- 4C	0519044-1	. HEADLINER ASSY 172S	08909	09231 01
- 5	0519044-5	. HEADLINER ASSY 172	81132	81200 01
- 5A	0519044-5	. HEADLINER ASSY 172S	09232	09568 01
- 5B	0519075-1	. HEADLINER ASSY 172 FSO 0519075-5	81201	81259 NP
- 5C	0519075-1	. HEADLINER ASSY 172S FSO 0519075-5	09536	09971 NP
- 6	0519075-5	. HEADLINER ASSY 172	81260	& ON 01
- 6A	0519075-5	. HEADLINER ASSY 172S	09972	& ON 01
- 7	S1021Z4-6	. SCREW 172 FSO 0519038-200/201	80001	80983 NP
- 7A	S1021Z4-6	. SCREW 172S FSO 0519038-200/201	08001	08703 NP
8	0519038-201	. HEADLINER 172 KYDEX	80782	80983 01
- 8A	0519038-201	. HEADLINER 172S KYDEX	08269	08703 01
9	0519017-6	. HEADLINER SUPPORT 172 RH	80001	81131 01
- 9A	0519017-6	. HEADLINER SUPPORT 172S RH	08001	08909 01
- 10	0519017-7	. HEADLINER SUPPORT 172 LH	80001	81131 01
- 10A	0519017-7	. HEADLINER SUPPORT 172S LH	08001	08909 01
- 11	0519017-2	. HEADLINER 172 FSO 0519044-2	80984	81074 NP
- 11A	0519017-2	. HEADLINER 172S FSO 0519044-2	08704	08908 NP
- 12	0519044-2	. HEADLINER 172	81075	81200 01
- 12A	0519044-2	. HEADLINER 172S	08909	09568 01
13	0519075-2	. HEADLINER 172	81201	81259 01
- 13A	0519075-2	. HEADLINER 172S	09569	09971 01
- 14	0519075-6	. HEADLINER 172	81260	& ON 01
- 14A	0519075-6	. HEADLINER 172S	09972	& ON 01
- 15	0519017-3	. CABLE ACCESS PANEL 172 LH FSO 0519044-3	80984	81074 NP
- 15A	0519017-3	. CABLE ACCESS PANEL 172S LH FSO 0519044-3	08704	08908 NP
- 16	0519017-4	. CABLE ACCESS PANEL 172 RH FSO 0519044-4	80984	81074 NP
- 16A	0519017-4	. CABLE ACCESS PANEL 172S RH FSO 0519044-4	08704	08908 NP
- 17	0519044-3	. CABLE ACCESS PANEL 172 LH	81075	81200 01
- 17A	0519044-3	. CABLE ACCESS PANEL 172S LH	08909	09568 01
- 18	0519044-4	. CABLE ACCESS PANEL 172 RH	81075	81200 01
- 18A	0519044-4	. CABLE ACCESS PANEL 172S RH	08909	09568 01
- 19	0519075-3	. CABLE ACCESS PANEL 172 LH FSO 0519075-7	81201	81259 NP
- 19A	0519075-3	. CABLE ACCESS PANEL 172S LH FSO 0519075-7	09569	09971 NP
- 20	0519075-4	. CABLE ACCESS PANEL 172 RH FSO 0519075-8	81201	81259 NP
- 20A	0519075-4	. CABLE ACCESS PANEL 172S RH FSO 0519075-8	09569	09971 NP
21	0519075-7	. CABLE ACCESS PANEL 172 LH	81260	& ON 01
- 21A	0519075-7	. CABLE ACCESS PANEL 172S LH	09972	& ON 01
22	0519075-8	. CABLE ACCESS PANEL 172 RH	81260	& ON 01
- 22A	0519075-8	. CABLE ACCESS PANEL 172S RH	09972	& ON 01
23	0519038-203	. CABLE ACCESS PANEL 172 LH	80001	80983 01
- 23A	0519038-203	. CABLE ACCESS PANEL 172S LH	08001	08703 01
24	0519038-202	. CABLE ACCESS PANEL 172 RH	80001	80983 01
- 24A	0519038-202	. CABLE ACCESS PANEL 172S RH	08001	08703 01
25	OCM8SM10DS64GY	. SCREW ASSY 172 PANEL ATTACH	80001	80983 08
- 25A	OCM8SM10DS64GY	. SCREW ASSY 172S PANEL ATTACH	08001	08703 08
- 25B	OCM8SM10DS04GY	. BEIGE SCREW 172 V12324	80984	81074 08
- 25C	OCM8SM10DS04GY	. BEIGE SCREW 172S V12324	08704	08908 08
- 25D	S3927-8-10V	. SCREW 172	81075	81200 08
- 25E	S3927-8-10V	. SCREW 172S	08909	09568 08
26	S3927-8-10N	. SCREW 172	81201	& ON 08
- 26A	S3927-8-10N	. SCREW 172S	09569	& ON 08
27	S1477-8B	. NUT 172 PANEL ATTACH	80001	80983 08
- 27A	S1477-8B	. NUT 172S PANEL ATTACH	08001	08703 08
- 27B	S4213-18	. CLIP NUT 172	80984	81074 08 R
- 27C	S4213-18	. CLIP NUT 172S	08704	08908 08 R
28	S4213-18	. CLIP NUT 172	81075	& ON 08 R
- 28A	S4213-18	. CLIP NUT 172S	08909	& ON 08 R

- ITEM NOT ILLUSTRATED

CESSNA AIRCRAFT COMPANY
MODEL 172 (SERIES 1996 AND ON)
ILLUSTRATED PARTS CATALOG

B259



DETAIL A

BAGGAGE NET ASSEMBLY
FIGURE 01 (SHEET 1)

0510T1007
A0519T1058

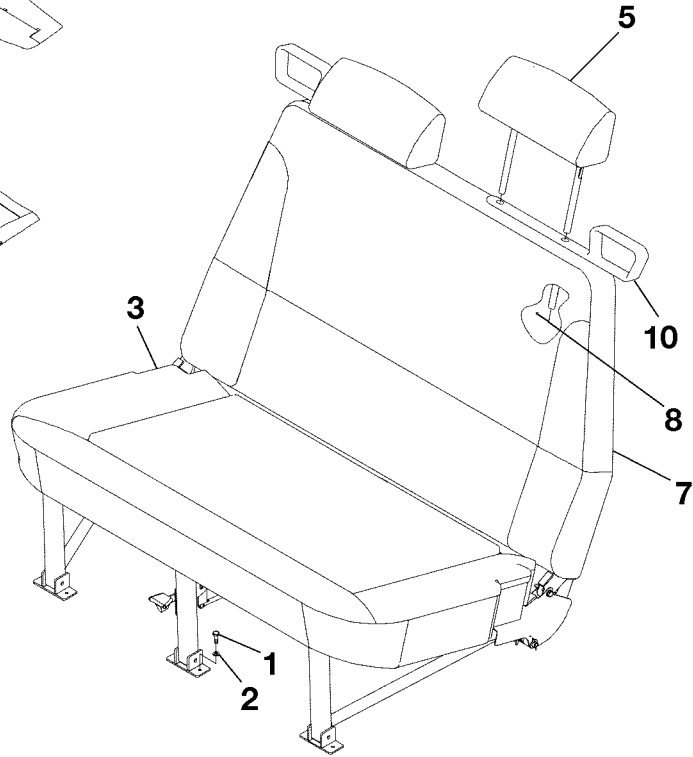
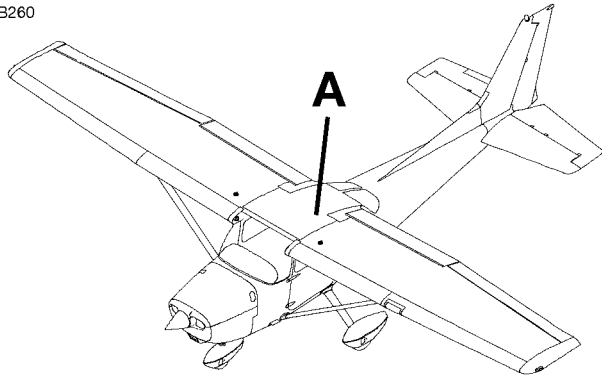
CESSNA AIRCRAFT COMPANY
MODEL 172 (SERIES 1996 AND ON)
 ILLUSTRATED PARTS CATALOG

FIG ITEM	PART NUMBER	NOMENCLATURE	UNITS	
			PER	ASSY
01				
-		BAGGAGE NET ASSEMBLY		RF
1	2015009-7	. NET-BAGGAGE		01
2	2015009-9	. NET-BAGGAGE BLACK		01
3	1211203-1	. EYE BOLT-BAGGAGE NET ATTACH BLACK FSO FD-2997M34-2 172	80001	80330 06
- 3A	1211203-4	. EYE BOLT-BAGGAGE NET ATTACH BLACK FSO FD-2997M34-2 172	80331	81074 06
- 3B	1211203-4	. EYE BOLT-BAGGAGE NET ATTACH BLACK FSO FD-2997M34-2 172S	08001	08908 06
- 4	FD-2997M34-2	. EYEBOLT-BAGGAGE NET ATTACH BLACK 172	V98313	81075 & ON 06
- 5	FD-2997M34-2	. EYEBOLT-BAGGAGE NET ATTACH BLACK 172S	V98313	08909 & ON 06
6	1200127-2	. WASHER		06
7	1200127-1	. WASHER-BAGGAGE NET ATTACH		06
- 8	F990014	. FABRIC FASTENER FSO F990327		NP R
- 8A	F990308	. FABRIC FASTENER ALT FOR F990014		AR
- 8B	F990327	. FABRIC FASTENER		AR R

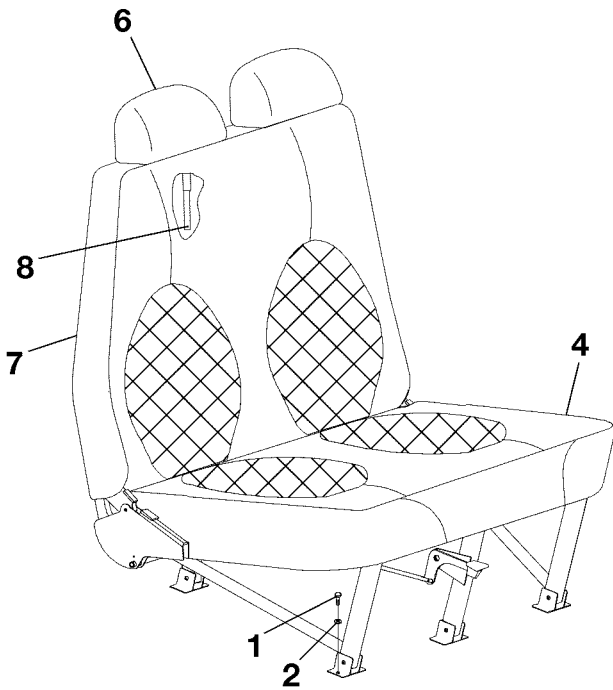
- ITEM NOT ILLUSTRATED

CESSNA AIRCRAFT COMPANY
MODEL 172 (SERIES 1996 AND ON)
ILLUSTRATED PARTS CATALOG

B260



DETAIL A



DETAIL A

0510T1007
A0519T1034
A0519T1059

AFT BENCH SEAT INSTALLATION
FIGURE 01 (SHEET 1)

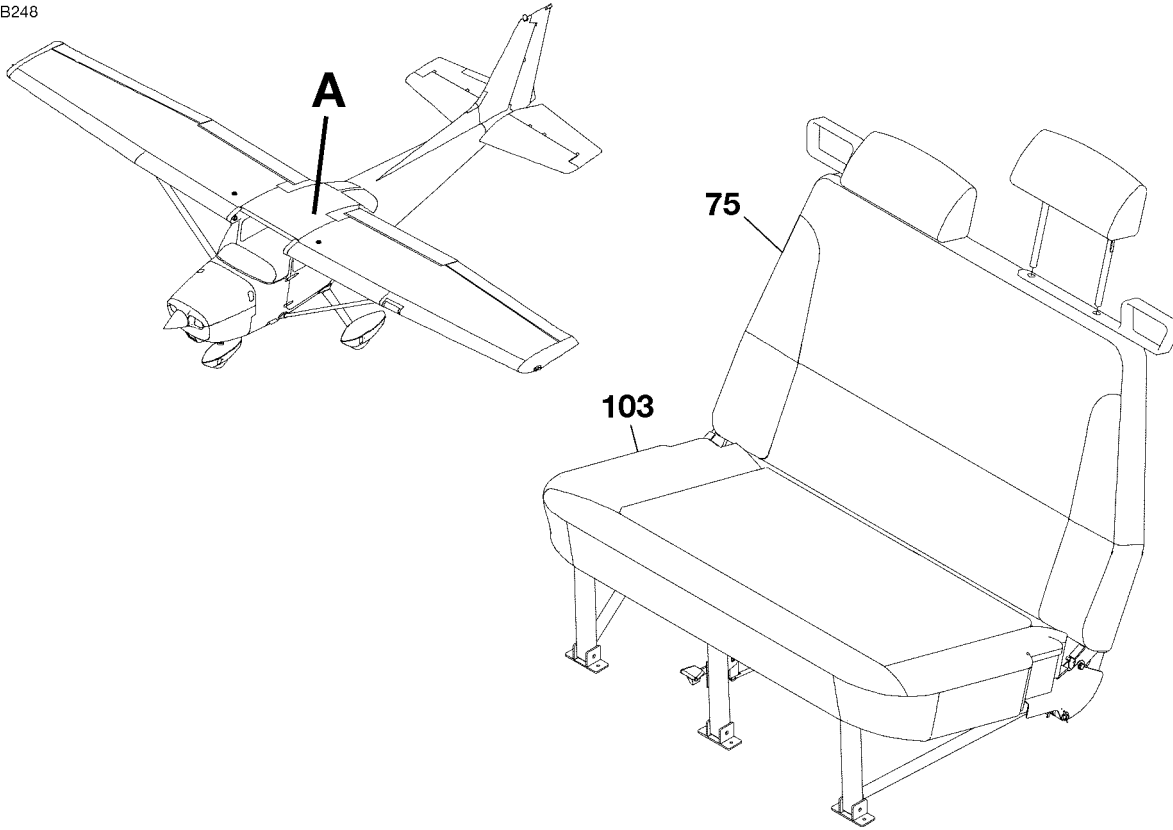
CESSNA AIRCRAFT COMPANY
MODEL 172 (SERIES 1996 AND ON)
ILLUSTRATED PARTS CATALOG

FIG ITEM	PART NUMBER	NOMENCLATURE	UNITS	
			PER	ASSY
		1 2 3 4 5 6 7		
01		AFT BENCH SEAT INSTALLATION		RF
-		. BOLT		10
1	AN3-5A	. WASHER		10
2	NAS1149F0363P	. SEAT UPHOLSTERY ASSY-AFT FABRIC 172	80001	80983 01
3	0514220-1	. SEAT UPHOLSTERY ASSY-AFT FABRIC 172S	08001	08703 01
- 3A	0514220-1	. SEAT UPHOLSTERY ASSY-AFT FABRIC 172	80984	81200 01
- 3B	0519025-1	. SEAT UPHOLSTERY ASSY-AFT FABRIC 172S	08704	09568 01
- 3C	0519025-1	. SEAT UPHOLSTERY ASSY-AFT FABRIC 172 FSO 0519071-5	81201	81224 NP
- 3D	0519071-1	. SEAT UPHOLSTERY ASSY-AFT FABRIC 172S FSO 0519071-5	09569	09694 NP
- 3E	0519071-1	. SEAT UPHOLSTERY ASSY-AFT FABRIC 172	81225	81233 01
- 3F	0519071-5	. SEAT UPHOLSTERY ASSY-AFT FABRIC 172S	09695	09770 01
- 3G	0519071-5	. SEAT UPHOLSTERY ASSY-AFT FABRIC 172 FSO 0519071-7	81234	81266 NP
- 3H	0519071-6	. SEAT UPHOLSTERY ASSY-AFT FABRIC 172S FSO 0519071-7	09771	10020 NP
- 3J	0519071-6	. SEAT UPHOLSTERY ASSY-AFT FABRIC 172	81267	81272 01
- 3K	0519071-7	. SEAT UPHOLSTERY ASSY-AFT FABRIC 172S	10021	10102 01
- 3L	0519071-7	. SEAT UPHOLSTERY ASSY-AFT FABRIC 172 FSO 0519100-1	81273	81340 NP
- 3M	0519093-1	. SEAT UPHOLSTERY ASSY-AFT FABRIC 172S FSO 0519100-1	10103	10273 NP
- 3N	0519093-1	. SEAT UPHOLSTERY ASSY-AFT FABRIC 172	81341	81565 01
- 3P	0519100-1	. SEAT UPHOLSTERY ASSY-AFT FABRIC 172S	10274	11045 01
- 3Q	0519100-1	. SEAT UPHOLSTERY ASSY-AFT FABRIC 172	81566	& ON 01
- 3R	0519119-1	. SEAT UPHOLSTERY ASSY-AFT FABRIC 172S	11046	& ON 01
- 3S	0519119-1	. SEAT UPHOLSTERY ASSY-AFT FABRIC 172S	80330	80799 01
4	0514220-11	. SEAT UPHOLSTERY ASSY-AFT LEATHER 172	08001	08261 01
- 4A	0514220-11	. SEAT UPHOLSTERY ASSY-AFT LEATHER 172S	80800	80983 01
- 4B	0514235-1	. SEAT UPHOLSTERY ASSY-AFT LEATHER 172	08262	08703 01
- 4C	0514235-1	. SEAT UPHOLSTERY ASSY-AFT LEATHER 172S	80984	81200 01
- 4D	0519027-1	. SEAT UPHOLSTERY ASSY-AFT LEATHER 172S	08704	09568 01
- 4E	0519027-1	. SEAT UPHOLSTERY ASSY-AFT LEATHER 172 FSO 0519072-4	81201	81224 01
- 4F	0519072-1	. SEAT UPHOLSTERY ASSY-AFT LEATHER 172S FSO 0519072-4	09569	09694 01
- 4G	0519072-1	. SEAT UPHOLSTERY ASSY-AFT LEATHER 172	81225	81233 01
- 4H	0519072-4	. SEAT UPHOLSTERY ASSY-AFT LEATHER 172S	09695	08770 01
- 4J	0519072-4	. SEAT UPHOLSTERY ASSY-AFT LEATHER 172 FSO 0519072-6	81234	81266 NP
- 4K	0519072-5	. SEAT UPHOLSTERY ASSY-AFT LEATHER 172S FSO 0519072-6	09771	10020 NP
- 4L	0519072-5	. SEAT UPHOLSTERY ASSY-AFT LEATHER 172	81267	81272 01
- 4M	0519072-6	. SEAT UPHOLSTERY ASSY-AFT LEATHER 172S	10021	10102 01
- 4N	0519072-6	. SEAT UPHOLSTERY ASSY-AFT LEATHER 172S FSO 0519101-1	81273	81340 NP
- 4P	0519094-1	. SEAT UPHOLSTERY ASSY-AFT LEATHER 172S FSO 0519101-1	10103	10273 NP
- 4Q	0519094-1	. SEAT UPHOLSTERY ASSY-AFT LEATHER 172	81341	81565 01
- 4R	0519101-1	. SEAT UPHOLSTERY ASSY-AFT LEATHER 172S	10274	11045 01
- 4S	0519101-1	. SEAT UPHOLSTERY ASSY-AFT LEATHER 172	81566	& ON 01
- 4T	0519121-1	. SEAT UPHOLSTERY ASSY-AFT LEATHER 172S	11046	11663 01 R
- 4U	0519121-1	. SEAT UPHOLSTERY ASSY-AFT LEATHER 172	11664	& ON 01 R
- 4V	0519121-4	. SEAT HEADREST UPHOLSTERY ASSY FABRIC 172	81201	81272 01
5	0719077-3	. SEAT HEADREST UPHOLSTERY ASSY FABRIC 172S	09569	10102 01
- 5A	0719077-3	. SEAT HEADREST UPHOLSTERY ASSY FABRIC 172 FSO 0719113-3	81273	81340 NP
- 5B	0719103-3	. SEAT HEADREST UPHOLSTERY ASSY FABRIC 172S FSO 0719113-3	10103	10273 NP
- 5C	0719103-3	. SEAT HEADREST UPHOLSTERY ASSY FABRIC 172	81341	81565 01
- 5D	0719113-3	. SEAT HEADREST UPHOLSTERY ASSY FABRIC 172S	10274	11045 01
- 5E	0719113-3	. SEAT HEADREST UPHOLSTERY ASSY FABRIC 172	81566	& ON 01
- 5F	0719131-3	. SEAT HEADREST UPHOLSTERY ASSY FABRIC 172S	11046	& ON 01
- 5G	0719131-3	. SEAT HEADREST UPHOLSTERY ASSY FABRIC 172S	81201	81272 01
6	0719078-3	. SEAT HEADREST UPHOLSTERY ASSY LEATHER 172	09569	10102 01
- 6A	0719078-3	. SEAT HEADREST UPHOLSTERY ASSY LEATHER 172S FSO 0719114-3	81273	81340 NP
- 6B	0719104-3	. SEAT HEADREST UPHOLSTERY ASSY LEATHER 172S FSO 0719114-3	10103	10273 NP
- 6C	0719104-3	. SEAT HEADREST UPHOLSTERY ASSY LEATHER 172	81341	81565 01
- 6D	0719114-3	. SEAT HEADREST UPHOLSTERY ASSY LEATHER 172S	10274	11045 01
- 6E	0719114-3	. SEAT HEADREST UPHOLSTERY ASSY LEATHER 172	81566	& ON 02 R
- 6F	0719130-3	. SEAT HEADREST UPHOLSTERY ASSY LEATHER 172S	11046	11663 02 R
- 6G	0719130-3	. SEAT HEADREST UPHOLSTERY ASSY LEATHER 172	11664	& ON 02 R
- 6H	0719130-13	. BACK PANEL ASSY FABRIC OR LEATHER 172	81201	81272 01
7	0519071-4	. BACK PANEL ASSY FABRIC OR LEATHER 172S	09569	10102 01
- 7A	0519071-4	. BACK PANEL ASSY FABRIC OR LEATHER 172 FSO 0519100-4	81273	81340 NP
- 7B	0519093-4	. BACK PANEL ASSY FABRIC OR LEATHER 172S FSO 0519100-4	10103	10273 NP
- 7C	0519093-4	. BACK PANEL ASSY FABRIC OR LEATHER 172	81341	81565 01
- 7D	0519100-4	. BACK PANEL ASSY FABRIC OR LEATHER 172S	10274	11045 01
- 7E	0519100-4	. BACK PANEL ASSY FABRIC OR LEATHER 172	81566	& ON 01
- 7F	0519119-4	. BACK PANEL ASSY FABRIC OR LEATHER 172S	11046	& ON 01
- 7G	0519119-4	. COTTER PIN		02
8	MS24665-285	. GROMMET 172 FSO 9910182-5	80001	80983 NP
- 9	9910182-3	. GROMMET 172S FSO 9910182-5	08001	08703 NP
- 9A	9910182-3	. GROMMET 172	80984	& ON 01
- 9B	9910182-5	. GROMMET 172S	08704	& ON 01
- 9C	9910182-5	. HARNESS GUIDE 172	80001	81200 01
10	CJ1001-1	. HARNESS GUIDE 172S	80001	08703 01
- 10A	CJ1001-1	. SCREW		02
- 11	MS24694-C10			

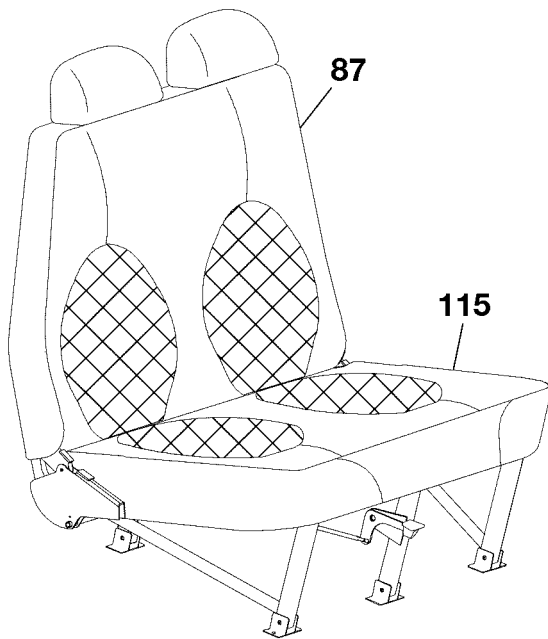
- ITEM NOT ILLUSTRATED

CESSNA AIRCRAFT COMPANY
MODEL 172 (SERIES 1996 AND ON)
ILLUSTRATED PARTS CATALOG

B248



DETAIL A



DETAIL A

AFT BENCH SEAT INSTALLATION
FIGURE 01 (SHEET 2)

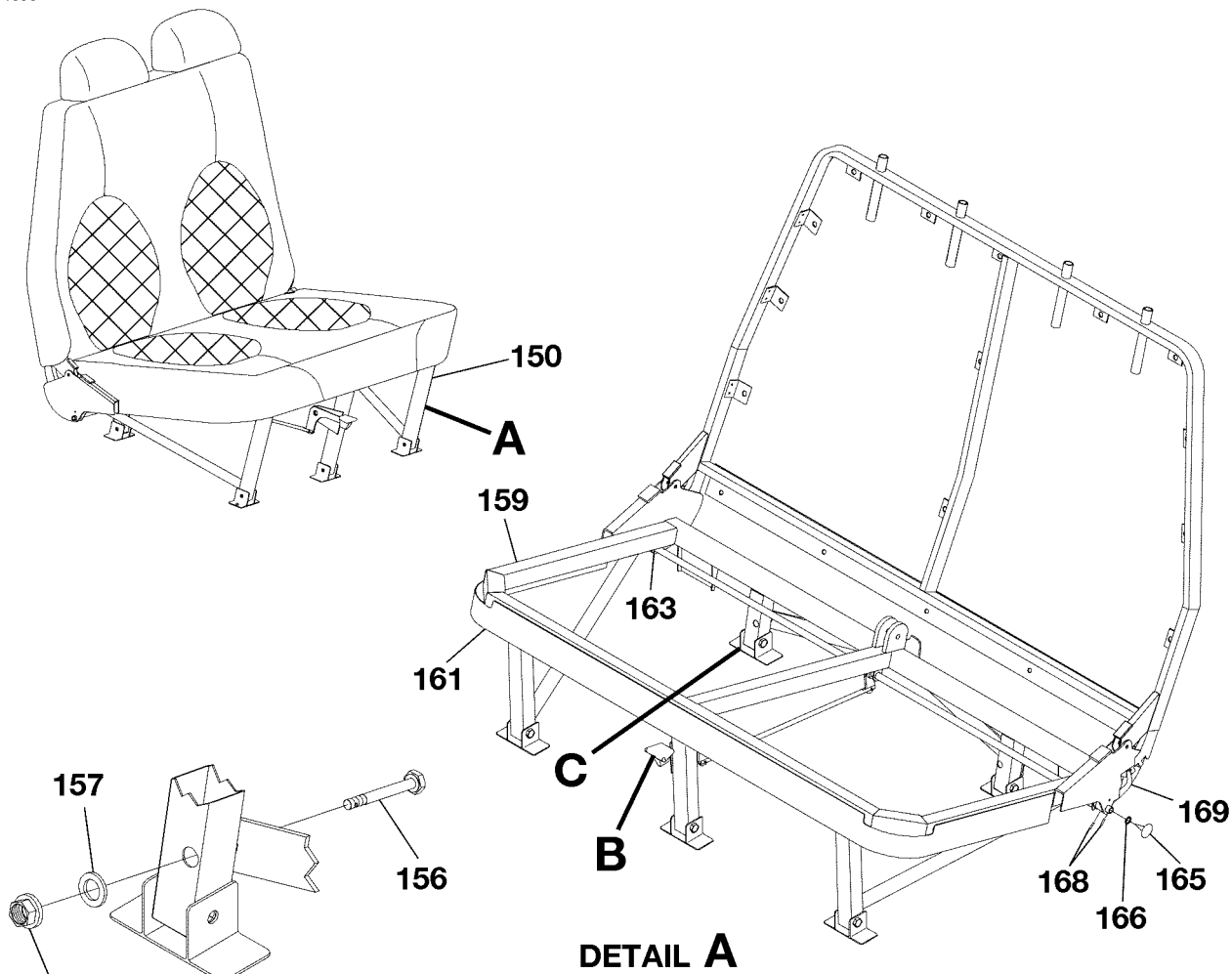
0510T1007
A0519T1034
A0519T1059

CESSNA AIRCRAFT COMPANY
MODEL 172 (SERIES 1996 AND ON)
ILLUSTRATED PARTS CATALOG

FIG ITEM	PART NUMBER	1 2 3 4 5 6 7	NOMENCLATURE	UNITS		
					PER	ASSY
01						
75	0514220-4		.. SEAT BACK UPHOLSTERY ASSY-AFT FABRIC 172	80001	80983	01
- 76	0514220-4		.. SEAT BACK UPHOLSTERY ASSY-AFT FABRIC 172S	08001	08703	01
- 77	0519025-3		.. SEAT BACK UPHOLSTERY ASSY-AFT FABRIC 172	80984	81200	01
- 78	0519025-3		.. SEAT BACK UPHOLSTERY ASSY-AFT FABRIC 172S	08704	09568	01
- 79	0519071-3		.. SEAT BACK UPHOLSTERY ASSY-AFT FABRIC 172	81201	81272	01
- 80	0519071-3		.. SEAT BACK UPHOLSTERY ASSY-AFT FABRIC 172S	09569	10102	01
- 81	0519093-3		.. SEAT BACK UPHOLSTERY ASSY-AFT FABRIC 172 FSO 0519100-3	81273	81340	NP
- 82	0519093-3		.. SEAT BACK UPHOLSTERY ASSY-AFT FABRIC 172S FSO 0519100-3	10103	10273	NP
- 83	0519100-3		.. SEAT BACK UPHOLSTERY ASSY-AFT FABRIC 172	81341	81565	01
- 84	0519100-3		.. SEAT BACK UPHOLSTERY ASSY-AFT FABRIC 172S	10274	11045	01
- 85	0519119-3		.. SEAT BACK UPHOLSTERY ASSY-AFT FABRIC 172	81566	& ON	01
- 86	0519119-3		.. SEAT BACK UPHOLSTERY ASSY-AFT FABRIC 172S	11046	& ON	01
87	0514220-13		.. SEAT BACK UPHOLSTERY ASSY-AFT LEATHER 172	80330	80799	01
- 88	0514220-13		.. SEAT BACK UPHOLSTERY ASSY-AFT LEATHER 172S	08001	08261	01
- 89	0514235-3		.. SEAT BACK UPHOLSTERY ASSY-AFT LEATHER 172	80800	80983	01
- 90	0514235-3		.. SEAT BACK UPHOLSTERY ASSY-AFT LEATHER 172S	08262	08703	01
- 91	0519027-3		.. SEAT BACK UPHOLSTERY ASSY-AFT LEATHER 172 FSO 0519027-5	80984	81089	NP
- 92	0519027-3		.. SEAT BACK UPHOLSTERY ASSY-AFT LEATHER 172S FSO 0519027-5	08704	08954	NP
- 93	0519027-5		.. SEAT BACK UPHOLSTERY ASSY-AFT LEATHER 172	81090	81200	01
- 94	0519027-5		.. SEAT BACK UPHOLSTERY ASSY-AFT LEATHER 172S	08955	09568	01
- 95	0519072-3		.. SEAT BACK UPHOLSTERY ASSY-AFT LEATHER 172	81201	81272	01
- 96	0519072-3		.. SEAT BACK UPHOLSTERY ASSY-AFT LEATHER 172S	09569	10102	01
- 97	0519094-3		.. SEAT BACK UPHOLSTERY ASSY-AFT LEATHER 172 FSO 0519101-3	81273	81340	NP
- 98	0519094-3		.. SEAT BACK UPHOLSTERY ASSY-AFT LEATHER 172S FSO 0519101-3	10103	10273	NP
- 99	0519101-3		.. SEAT BACK UPHOLSTERY ASSY-AFT LEATHER 172	81341	81565	01
- 100	0519101-3		.. SEAT BACK UPHOLSTERY ASSY-AFT LEATHER 172S	10274	11045	01
- 101	0519121-3		.. SEAT BACK UPHOLSTERY ASSY-AFT LEATHER 172	81566	& ON	01
- 102	0519121-3		.. SEAT BACK UPHOLSTERY ASSY-AFT LEATHER 172S	11046	11663	01 R
- 102A	0519121-6		.. SEAT BACK UPHOLSTERY ASSY-AFT LEATHER 172S	11664	& ON	01 R
103	0514220-2		.. SEAT BASE UPHOLSTERY ASSY-AFT FABRIC 172	80001	80983	01
- 104	0514220-2		.. SEAT BASE UPHOLSTERY ASSY-AFT FABRIC 172S	08001	08703	01
- 105	0519025-2		.. SEAT BASE UPHOLSTERY ASSY-AFT FABRIC 172	80984	81200	01
- 106	0519025-2		.. SEAT BASE UPHOLSTERY ASSY-AFT FABRIC 172S	08704	09568	01
- 107	0519071-2		.. SEAT BASE UPHOLSTERY ASSY-AFT FABRIC 172	81201	81272	01
- 108	0519071-2		.. SEAT BASE UPHOLSTERY ASSY-AFT FABRIC 172S	09569	10102	01
- 109	0519093-2		.. SEAT BASE UPHOLSTERY ASSY-AFT FABRIC 172 FSO 0519100-2	81273	81340	NP
- 110	0519093-2		.. SEAT BASE UPHOLSTERY ASSY-AFT FABRIC 172S FSO 0519100-2	10103	10273	NP
- 111	0519100-2		.. SEAT BASE UPHOLSTERY ASSY-AFT FABRIC 172	81341	81565	01
- 112	0519100-2		.. SEAT BASE UPHOLSTERY ASSY-AFT FABRIC 172S	10274	11045	01
- 113	0519119-2		.. SEAT BASE UPHOLSTERY ASSY-AFT FABRIC 172	81566	& ON	01
- 114	0519119-2		.. SEAT BASE UPHOLSTERY ASSY-AFT FABRIC 172S	11046	& ON	01
115	0514220-12		.. SEAT BASE UPHOLSTERY ASSY-LEATHER 172	80330	80799	01
- 116	0514220-12		.. SEAT BASE UPHOLSTERY ASSY-LEATHER 172S	08001	08261	01
- 117	0514235-2		.. SEAT BASE UPHOLSTERY ASSY-LEATHER 172	80800	80983	01
- 118	0514235-2		.. SEAT BASE UPHOLSTERY ASSY-LEATHER 172S	08262	08703	01
- 119	0519027-2		.. SEAT BASE UPHOLSTERY ASSY-LEATHER 172 FSO 0519027-4	80984	81089	NP
- 120	0519027-2		.. SEAT BASE UPHOLSTERY ASSY-LEATHER 172S FSO 0519027-4	08704	08954	NP
- 121	0519027-4		.. SEAT BASE UPHOLSTERY ASSY-LEATHER 172	81090	81200	01
- 122	0519027-4		.. SEAT BASE UPHOLSTERY ASSY-LEATHER 172S	08955	09568	01
- 123	0519072-2		.. SEAT BASE UPHOLSTERY ASSY-LEATHER 172	81201	81272	01
- 124	0519072-2		.. SEAT BASE UPHOLSTERY ASSY-LEATHER 172S	09569	10102	01
- 125	0519094-2		.. SEAT BASE UPHOLSTERY ASSY-LEATHER 172 FSO 0519101-2	81273	81340	NP
- 126	0519094-2		.. SEAT BASE UPHOLSTERY ASSY-LEATHER 172S FSO 0519101-2	10103	10273	NP
- 127	0519101-2		.. SEAT BASE UPHOLSTERY ASSY-LEATHER 172	81341	81565	01
- 128	0519101-2		.. SEAT BASE UPHOLSTERY ASSY-LEATHER 172S	10274	11045	01
- 129	0519121-2		.. SEAT BASE UPHOLSTERY ASSY-LEATHER 172	81566	& ON	01
- 130	0519121-2		.. SEAT BASE UPHOLSTERY ASSY-LEATHER 172S	11046	11663	01 R
- 130A	0519121-5		.. SEAT BASE UPHOLSTERY ASSY-LEATHER 172S	11664	& ON	01 R

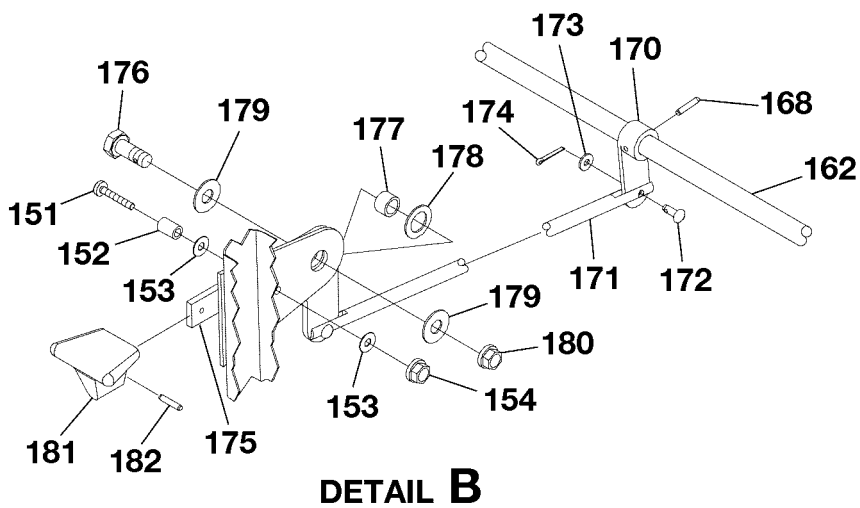
CESSNA AIRCRAFT COMPANY
MODEL 172 (SERIES 1996 AND ON)
 ILLUSTRATED PARTS CATALOG

B4096



DETAIL A

DETAIL C



DETAIL B

**AFT BENCH SEAT INSTALLATION
 FIGURE 01 (SHEET 3)**

0519T1059
 A0519T1097
 B0519T1076
 C0519T1098

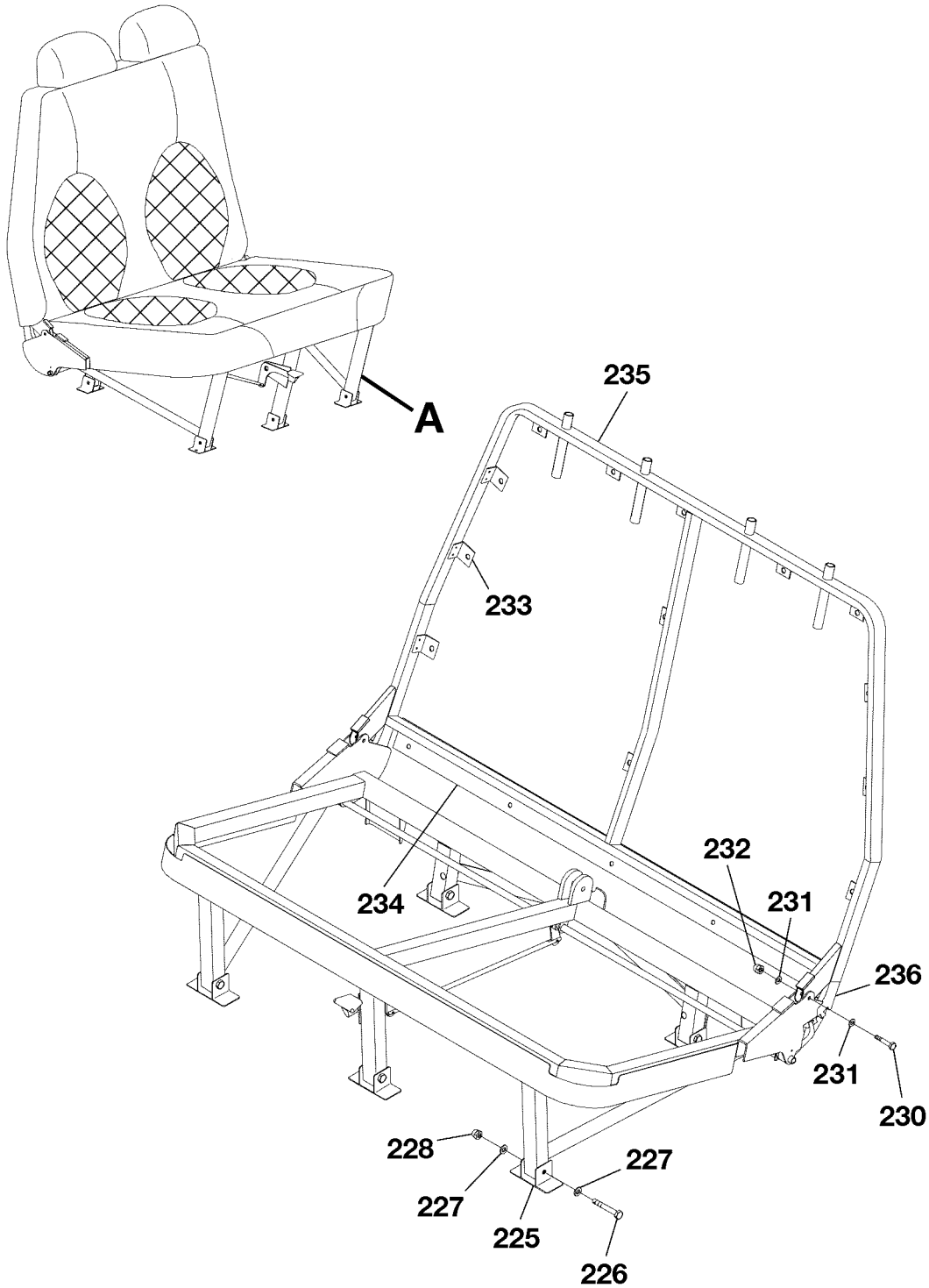
CESSNA AIRCRAFT COMPANY
MODEL 172 (SERIES 1996 AND ON)
ILLUSTRATED PARTS CATALOG

FIG ITEM	PART NUMBER	1 2 3 4 5 6 7	NOMENCLATURE	UNITS	
				PER	ASSY
01					
150	0514221-1		SEAT FRAME ASSY 172	80001	80739 01
- 150A	0514221-1		SEAT FRAME ASSY 172S	08001	08249 01
- 150B	0514221-2		SEAT FRAME ASSY 172	80740	81140 01
- 150C	0514221-2		SEAT FRAME ASSY 172S	08250	09286 01
- 150D	0519023-1		SEAT FRAME ASSY 172 FSO 0519023-3	81141	81141 NP
- 150E	0519023-1		SEAT FRAME ASSY 172S FSO 0519023-3	09287	09287 NP
- 150F	0519023-2		SEAT FRAME ASSY 172 FSO 0519023-3	81142	81224 NP
- 150G	0519023-2		SEAT FRAME ASSY 172S FSO 0519023-3	09288	09694 NP
- 150H	0519023-3		SEAT FRAME ASSY 172	81225	81233 01
- 150J	0519023-3		SEAT FRAME ASSY 172S	09695	09770 01
- 150K	0519023-4		SEAT FRAME ASSY 172 FSO 0519023-5	81234	81266 NP
- 150L	0519023-4		SEAT FRAME ASSY 172S FSO 0519023-5	09771	10020 NP
- 150M	0519023-5		SEAT FRAME ASSY 172	81267	& ON 01
- 150N	0519023-5		SEAT FRAME ASSY 172S	10021	& ON 01
151	MS35206-232		SCREW		01
152	NAS43DD1-25		SPACER		01
153	NAS1149DN616K		WASHER		02
154	MS21042-06		NUT		01
- 155	0514223-1		SEAT BASE ASSY 172 FSO 0514223-41	80001	80739 NP
- 155A	0514223-1		SEAT BASE ASSY 172S FSO 0514223-41	08001	08249 NP
- 155B	0514223-41		SEAT BASE ASSY 172	80740	81140 01
- 155C	0514223-41		SEAT BASE ASSY 172S	08250	09286 01
- 155D	0519024-1		SEAT BASE ASSY 172 FSO 0519024-5	81141	81224 NP
- 155E	0519024-1		SEAT BASE ASSY 172S FSO 0519024-5	09287	09694 NP
- 155F	0519024-5		SEAT BASE ASSY 172	81225	81233 01
- 155G	0519024-5		SEAT BASE ASSY 172S	09695	09770 01
- 155H	0519024-6		SEAT BASE ASSY 172 FSO 0519024-7	81234	81266 NP
- 155J	0519024-6		SEAT BASE ASSY 172S FSO 0519024-7	09771	10020 NP
- 155K	0519024-7		SEAT BASE ASSY 172	81267	& ON 01
- 155L	0519024-7		SEAT BASE ASSY 172S	10021	& ON 01
156	AN3-15		BOLT 172	80001	81224 02
- 156A	AN3-15		BOLT 172S	08001	09694 02
- 156B	AN6-15A		BOLT 172	81225	& ON 02
- 156C	AN6-15A		BOLT 172S	09695	& ON 02
157	NAS1149F0663P		WASHER		02
158	MS21043-6		NUT		02
- 158A	NAS1291C6		NUT-ALT FOR MS21043-6		02
159	0514223-32		TUBE ASSY 172	80001	80739 01
- 159A	0514223-32		TUBE ASSY 172S	08001	08249 01
- 159B	0514223-40		TUBE ASSY 172	80740	81233 01
- 159C	0514223-40		TUBE ASSY 172S	08250	09770 01
- 159D	0514223-45		TUBE ASSY 172 FSO 0514223-47	81234	81266 NP
- 159E	0514223-45		TUBE ASSY 172S FSO 0514223-47	09771	10020 NP
- 159F	0514223-47		TUBE ASSY 172	81267	& ON 01
- 159G	0514223-47		TUBE ASSY 172S	10021	& ON 01
- 160	0514227-14		SEAT PAN		02
161	0514217-6		SKIRT		01
162	0514223-4		TUBE		01
163	1414107-2		SPRING		01
- 164	1414107-1		SPRING		01
165	14738		RETAINING CLIP		02
166	NAS1149F0632P		WASHER 172	80001	81140 02
- 166A	NAS1149F0632P		WASHER 172S	08001	09286 02
- 167	NAS1149F0663P		WASHER 172	81141	& ON 02
- 167A	NAS1149F0663P		WASHER 172S	09287	& ON 02
168	NAS561C3-10		PIN		05
169	0514223-30		PAWL		02
170	0514223-5		LINK ASSY		01
171	0514223-6		LINK TUBE		01
172	MS20392-1C7		PIN 172	80001	81224 02
- 172A	MS20392-1C7		PIN 172S	08001	09694 02
- 172B	MS20392-1C15		PIN 172	81225	& ON 02
- 172C	MS20392-1C15		PIN 172S	09695	& ON 02
173	NAS1149FN432P		WASHER		AR
174	MS24665-132		COTTER PIN		02
175	0514223-7		LEVER		01
176	AN4-5A		BOLT-LEVER ATTACH		01
177	NAS43HT4-15		SPACER-LEVER ATTACH		01
178	NAS1149F0632P		WASHER-LEVER ATTACH		01
179	S1450-4-10-032		WASHER-LEVER ATTACH		02
180	MS21042-4		NUT-LEVER ATTACH		01
181	1714005-2		KNOB		01
182	NAS561P3-6		PIN		01

- ITEM NOT ILLUSTRATED

CESSNA AIRCRAFT COMPANY
MODEL 172 (SERIES 1996 AND ON)
ILLUSTRATED PARTS CATALOG

B4097



DETAIL A

AFT BENCH SEAT INSTALLATION
FIGURE 01 (SHEET 4)

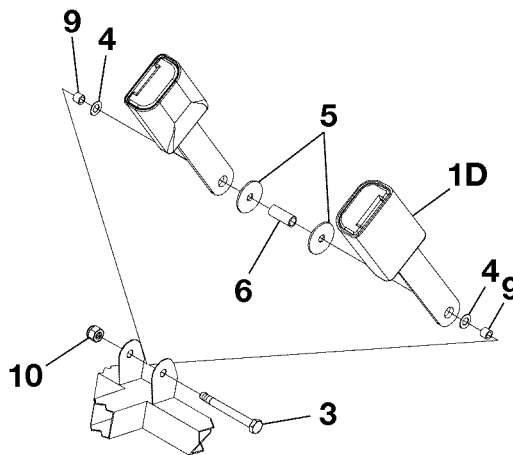
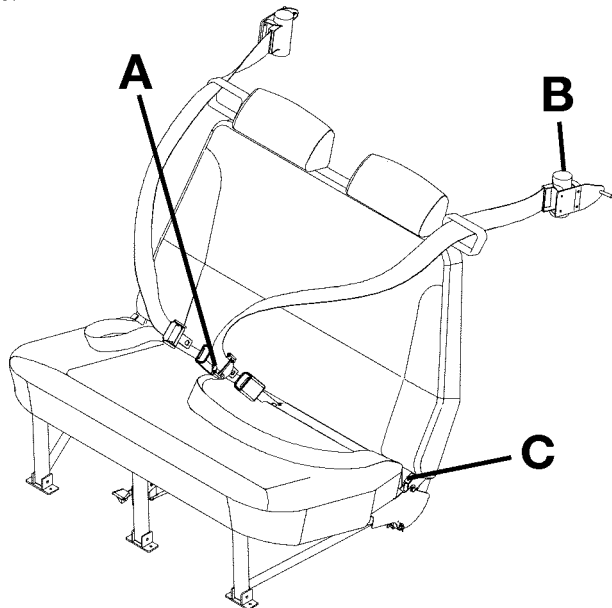
0519T1059
A0519T1097

CESSNA AIRCRAFT COMPANY MODEL 172 (SERIES 1996 AND ON) ILLUSTRATED PARTS CATALOG

FIG ITEM	PART NUMBER	NOMENCLATURE	UNITS		
			1	2	PER ASSY
01					
225	0514223-35	FOOT ASSY 172	80001	80982	05
- 225A	0514223-35	FOOT ASSY 172S	08001	08702	05
- 225B	0514223-35	FOOT ASSY 172	80983	81087	04
- 225C	0514223-35	FOOT ASSY 172S	08703	08938	04
- 225D	0514223-43	FOOT ASSY-FWD CENTER 172	80983	81087	01
- 225E	0514223-43	FOOT ASSY-FWD CENTER 172S	08703	08938	01
- 225F	0719040-1	ATTACH FITTING-AFT 172	81088	& ON	02
- 225G	0719040-1	ATTACH FITTING-AFT 172S	08939	& ON	02
- 225H	0719040-3	ATTACH FITTING-FWD 172	81088	& ON	03
- 225J	0719040-3	ATTACH FITTING-FWD 172S	08939	& ON	03
		ATTACHING PARTS			
226	AN4-16	BOLT			01
227	NAS1149F0463P	WASHER			02
228	MS24679-65	NUT 172	80001	81224	01
- 228A	MS24679-65	NUT 172S	08001	09694	01
- 228B	S3922S5	NUT 172	81225	& ON	01
- 228C	S3922S5	NUT 172S	09695	& ON	01
- 229	0514225-1	SEAT BACK ASSY 172 FSO 0519064-1	80001	80739	NP
- 229A	0514225-1	SEAT BACK ASSY 172S FSO 0519064-1	08001	08249	NP
- 229B	0514225-4	SEAT BACK ASSY 172 FSO 0519064-1	80740	81140	NP
- 229C	0514225-4	SEAT BACK ASSY 172S FSO 0519064-1	08250	08287	NP
- 229D	0519064-1	SEAT BACK ASSY 172	81142	& ON	01
- 229E	0519064-1	SEAT BACK ASSY 172S	09288	& ON	01
		ATTACHING PARTS			
230	AN3-11A	BOLT			02
231	NAS1149F0332P	WASHER			04
232	MS24679-63	NUT 172	80001	81224	02
- 232A	MS24679-63	NUT 172S	08001	09694	02
- 232B	S3922S4	NUT 172	81225	& ON	02
- 232C	S3922S4	NUT 172S	09695	& ON	02
		—+—			
233	0514217-7	CLIP			13
234	0514225-2	SKIRT			01
235	0514222-1	SEAT BACK WELD ASSY 172 FSO 0514222-16	80001	80739	NP
- 235A	0514222-1	SEAT BACK WELD ASSY 172S FSO 0514222-16	08001	08249	NP
- 235B	0514222-12	SEAT BACK WELD ASSY 172 FSO 0514222-16	80740	81141	NP
- 235C	0514222-12	SEAT BACK WELD ASSY 172S FSO 0514222-16	08250	09287	NP
- 235D	0514222-16	SEAT BACK WELD ASSY 172	81142	& ON	01
- 235E	0514222-16	SEAT BACK WELD ASSY 172S	09288	& ON	01
236	0514233-2	CAM 172 FSO 0514233-4	80001	80739	NP
- 236A	0514233-2	CAM 172S FSO 0514233-4	08001	08249	NP
- 236B	0514233-4	CAM 172	80740	& ON	02
- 236C	0514233-4	CAM 172S	08250	& ON	02
- 236D	0514233-5	CAM 172 ALT FOR 0514233-4	80740	81141	02
- 236E	0514233-5	CAM 172S ALT FOR 0514233-4	08250	09287	02

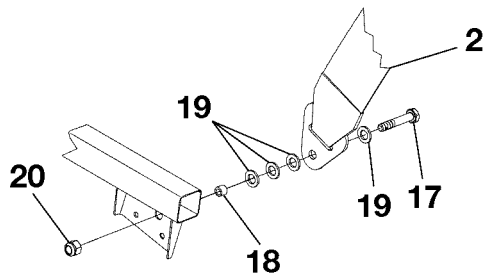
CESSNA AIRCRAFT COMPANY
MODEL 172 (SERIES 1996 AND ON)
 ILLUSTRATED PARTS CATALOG

B261



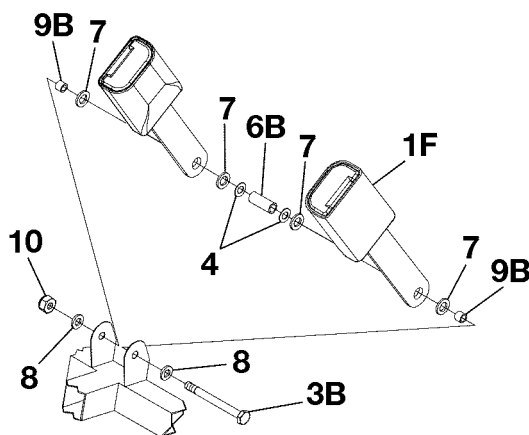
DETAIL A

AIRPLANES 17280001 THRU 17280983
 AND AIRPLANES 172S8001 THRU
 172S8703



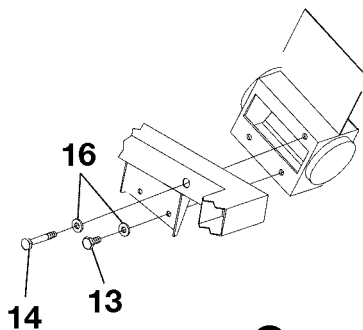
DETAIL C

MANUAL ADJUST RESTRAINT

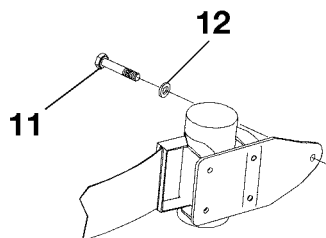


DETAIL A

AIRPLANES 17280984 AND ON
 AND AIRPLANES 172S8704 AND ON



DETAIL C



DETAIL B

RESTRAINT SYSTEM INSTALLATION-AFT BENCH SEAT
 FIGURE 01 (SHEET 1)

0514T1053
 A1219T1057
 A1219T1044
 B0519T1049
 C0519T1075
 C0519T1099

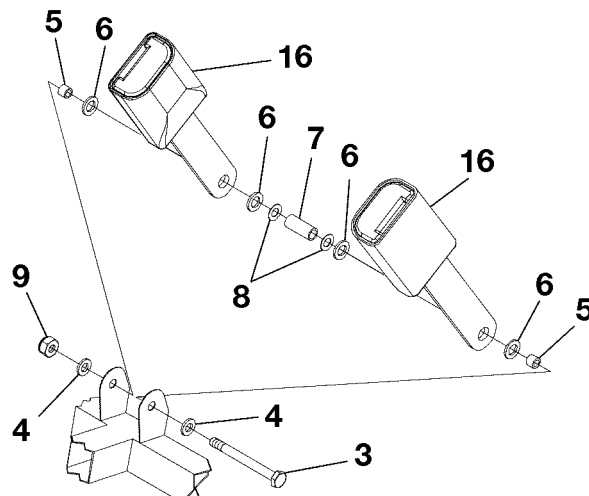
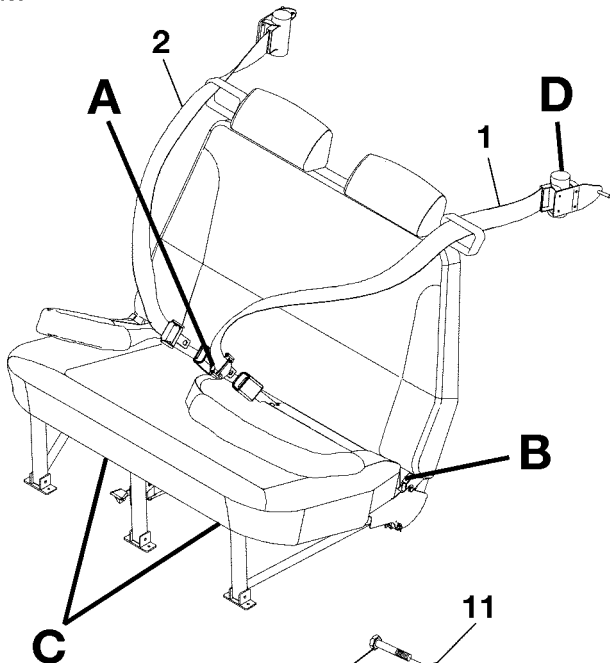
CESSNA AIRCRAFT COMPANY MODEL 172 (SERIES 1996 AND ON) ILLUSTRATED PARTS CATALOG

FIG ITEM	PART NUMBER	NOMENCLATURE	UNITS PER ASSY	
		1 2 3 4 5 6 7		
01		RESTRAINT SYSTEM INSTALLATION-AFT BENCH SEAT		RF
-				
- 1	2000031-11-201	. RESTRAINT SYSTEM-LH 172 FSO 504516-403-8013	V45402 80001	80760 NP
- 1A	2000031-11-201	. RESTRAINT SYSTEM-LH 172S FSO 504516-403-8013	V45402 08001	08237 NP
- 1B	2000031-12-201	. RESTRAINT SYSTEM-RH 172 FSO 504516-403-8013	V45402 80001	80760 NP
- 1C	2000031-12-201	. RESTRAINT SYSTEM-RH 172S FSO 504516-403-8013	V45402 08001	08237 NP
- 1D	504516-403-8013	. RESTRAINT SYSTEM-LH & RH 172 REFER TO NOTE 2	V0FWE1 80761	80983 02
- 1E	504516-403-8013	. RESTRAINT SYSTEM-LH & RH 172S REFER TO NOTE 3	V0FWE1 08238	08703 02
- 1F	504516-403-8087	. RESTRAINT SYSTEM-LH & RH 172	V0FWE1 80984	81200 02
- 1G	504516-403-8087	. RESTRAINT SYSTEM-LH & RH 172S	V0FWE1 08704	09568 02
- 1H	504516-403-8105	. RESTRAINT SYSTEM-LH & RH 172	V0FWE1 81201	81272 02
- 1J	504516-403-8105	. RESTRAINT SYSTEM-LH & RH 172S	V0FWE1 09569	10102 02
- 1K	504516-403-8096	. RESTRAINT SYSTEM-LH & RH 172	V0FWE1 81273	& ON 02
- 1L	504516-403-8096	. RESTRAINT SYSTEM-LH & RH 172S	V0FWE1 10103	& ON 02
- 2	504851-403-8013	. RESTRAINT SYSTEM MANUAL ADJUST-LH & RH REFER TO NOTE 1	V0FWE1	02
- 2A	504851-403-8087	. RESTRAINT SYSTEM MANUAL ADJUST-LH & RH 172	V0FWE1 80984	81200 02
- 2B	504851-403-8087	. RESTRAINT SYSTEM MANUAL ADJUST-LH & RH 172S	V0FWE1 08704	09568 02
- 2C	504851-403-8105	. RESTRAINT SYSTEM MANUAL ADJUST-LH & RH 172	V0FWE1 81201	81272 02
- 2D	504851-403-8105	. RESTRAINT SYSTEM MANUAL ADJUST-LH & RH 172S	V0FWE1 09569	10102 02
- 2E	504851-403-8096	. RESTRAINT SYSTEM MANUAL ADJUST-LH & RH 172	V0FWE1 81273	& ON 02
- 2F	504851-403-8096	. RESTRAINT SYSTEM MANUAL ADJUST-LH & RH 172S	V0FWE1 10103	& ON 02
		ATTACHING PARTS		
3	AN4-23A	. BOLT-LH & RH 172	80001	80983 01
- 3A	AN4-23A	. BOLT-LH & RH 172S	08001	08703 01
3B	AN4-24A	. BOLT-LH & RH 172	80984	& ON 01
- 3C	AN4-24A	. BOLT-LH & RH 172S	08704	& ON 01
4	NAS1149F0416P	. WASHER-LH & RH		02
5	AN970-4	. WASHER-LH & RH 172	80001	80983 02
- 5A	AN970-4	. WASHER-LH & RH 172S	08001	08703 02
6	NAS43DD4-38N	. SPACER-LH & RH 172	80001	80983 01
- 6A	NAS43DD4-38N	. SPACER-LH & RH 172S	08001	08703 01
6B	NAS43HT4-59	. SPACER-LH & RH 172	80984	& ON 01
- 6C	NAS43HT4-59	. SPACER-LH & RH 172S	08704	& ON 01
7	NAS1149F0563P	. WASHER-LH & RH 172	80984	& ON 04
- 7A	NAS1149F0563P	. WASHER-LH & RH 172S	08704	& ON 04
8	NAS1149F0463P	. WASHER-LH & RH 172	80984	& ON 02
- 8A	NAS1149F0463P	. WASHER-LH & RH 172S	08704	& ON 02
9	1214198-3	. BUSHING-LH & RH 172 FSO FSO 0514232-3	80001	80983 02
- 9A	1214198-3	. BUSHING-LH & RH 172S FSO FSO 0514232-3	08001	08703 02
9B	0514232-3	. BUSHING-LH & RH 172	80984	& ON 02
- 9C	0514232-3	. BUSHING-LH & RH 172S	08704	& ON 02
- 9D	0514232-3	. BUSHING-LH & RH-USED WITH MANUAL ADJUST RESTRAINT		02
10	MS21044N4	. NUT-LH & RH		01
11	AN4-7A	. BOLT		01 R
12	NAS1149F0463P	. WASHER		01
13	AN3-4A	. BOLT		02
14	AN3-12A	. BOLT 172	80001	80983 01
- 14A	AN3-12A	. BOLT 172S	08001	08703 01
- 15	AN3-13A	. BOLT 172	80983	& ON 01
- 15A	AN3-13A	. BOLT 172S	08703	& ON 01
16	NAS1149F0363P	. WASHER 172	80001	80983 03
- 16A	NAS1149F0363P	. WASHER 172S	08001	08703 03
- 16B	NAS1149F0363P	. WASHER 172	80984	81200 04
- 16C	NAS1149F0363P	. WASHER 172S	08704	09568 04
- 16D	NAS1149F0363P	. WASHER 172	81201	& ON 03
- 16E	NAS1149F0363P	. WASHER 172S	09569	& ON 03
17	AN4-15A	. BOLT-USED WITH MANUAL ADJUST RESTRAINT		01
18	1214198-3	. BUSHING-USED WITH MANUAL ADJUST RESTRAINT FSO 0514232-3		NP R
- 18A	0514232-3	. BUSHING-USED WITH MANUAL ADJUST RESTRAINT		01 R
19	NAS1149F0563P	. WASHER-USED WITH MANUAL ADJUST RESTRAINT		04
20	MS21042-4	. NUT-USED WITH MANUAL ADJUST RESTRAINT		01
- 21	172PBC-MK2501-00	. PASSENGER BRIEFING CARD-USED WITH MANUAL ADJUST RESTRAINT		AR
		NOTE 1—AIRPLANES 17280001 AND ON AND AIRPLANES 172S8001 AND ON INCORPORATING MK172-25-04		
		NOTE 2—AIRPLANES 17280761 THRU 17280983 AND AIRPLANES 17280001 THRU 17280760 INCORPORATING MK172-25-03		
		NOTE 3—AIRPLANES 172S8238 THRU 172S8703 AND AIRPLANES 172S8001 THRU 172S8237 INCORPORATING MK172-25-03		

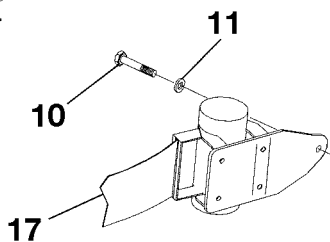
- ITEM NOT ILLUSTRATED

CESSNA AIRCRAFT COMPANY
MODEL 172 (SERIES 1996 AND ON)
 ILLUSTRATED PARTS CATALOG

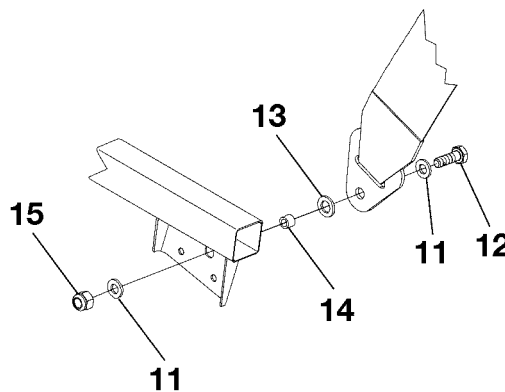
B4080



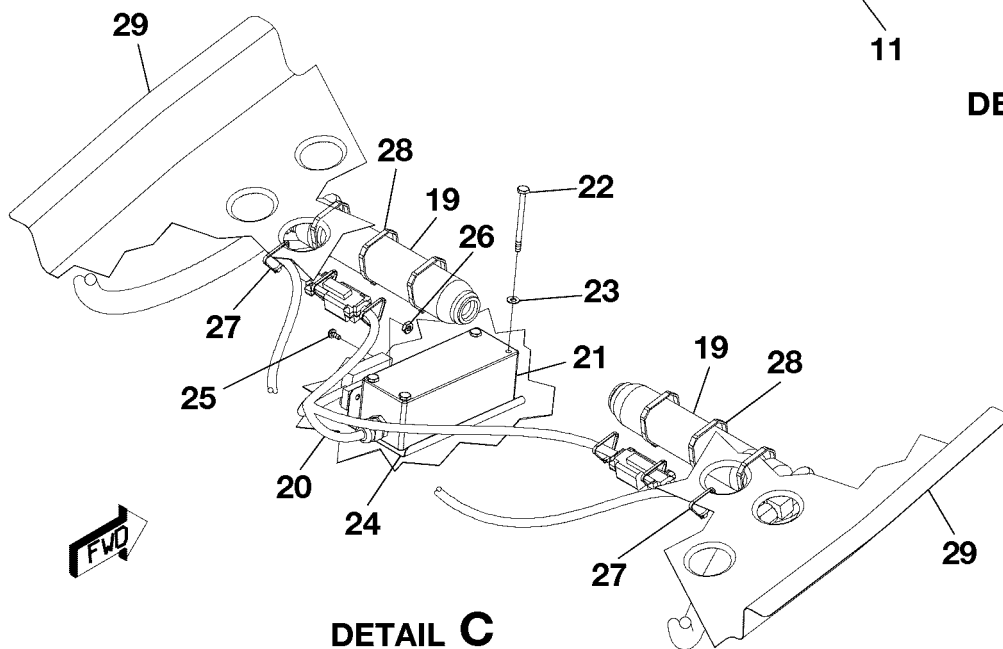
DETAIL A



DETAIL D



DETAIL B



DETAIL C

AMSAFE INFLATABLE RESTRAINT SYSTEM
 FIGURE 01A (SHEET 1)

0514T1053
 A1219T1044
 B0719T1052
 C0519T1095
 D0514T1049

CESSNA AIRCRAFT COMPANY

MODEL 172 (SERIES 1996 AND ON)

ILLUSTRATED PARTS CATALOG

FIG ITEM	PART NUMBER	NOMENCLATURE	UNITS PER ASSY	
			1 2 3 4 5 6 7	
01A		AMSAFE INFLATABLE RESTRAINT SYSTEM -AFT BENCH		RF
- 1	7035-2-011-8105	. AAIR V23 SEATBELT AIRBAG ASSY-LH TAN 172 REFER TO NOTE 1	V0FWE1 81234	& ON 01
- 1A	7035-2-011-8105	. AAIR V23 SEATBELT AIRBAG ASSY-LH TAN 172S REFER TO NOTE 1	V0FWE1 09771	& ON 01
- 1B	7035-2-011-8053	. AAIR V23 SEATBELT AIRBAG ASSY-LH GRAY 172 REFER TO NOTE 2	V0FWE1 80001	81233 01
- 1C	7035-2-011-8053	. AAIR V23 SEATBELT AIRBAG ASSY-LH GRAY 172S REFER TO NOTE 2	V0FWE1 08001	09770 01
2	7035-2-021-8105	. AAIR V23 SEATBELT AIRBAG ASSY-RH TAN 172 REFER TO NOTE 1	V0FWE1 81234	& ON 01
- 2A	7035-2-021-8105	. AAIR V23 SEATBELT AIRBAG ASSY-RH TAN 172S REFER TO NOTE 1	V0FWE1 09771	& ON 01
- 2B	7035-2-021-8053	. AAIR V23 SEATBELT AIRBAG ASSY-RH GRAY 172 REFER TO NOTE 2	V0FWE1 80001	81233 01
- 2C	7035-2-021-8053	. AAIR V23 SEATBELT AIRBAG ASSY-RH GRAY 172S REFER TO NOTE 2	V0FWE1 08001	09770 01
		ATTACHING PARTS		
3	AN4-24A	. BOLT-LH AND RH		01
4	NAS1149F0463P	. WASHER-LH AND RH		02
5	0514232-3	. BUSHING-LH AND RH		02
6	NAS1149F0563P	. WASHER-LH AND RH		04
7	NAS43HT4-59	. SPACER-LH AND RH		01
8	NAS1149F0416P	. WASHER-LH AND RH		02
9	MS21044N4	. NUT-LH AND RH		01
10	AN4-13A	. BOLT		01
11	NAS1149F0463P	. WASHER		03
12	AN4-6A	. BOLT		01
13	NAS1149F0563P	. WASHER		01
14	0514232-3	. BUSHING		01
15	MS21044N4	. NUT		01
		—*—		
16	7035-201021-8096	. . END RELEASE BUCKLE ASSY-RH TAN	V0FWE1 81273 10103 11671	& ON 01 R
- 16A	7035-201021-8105	. . END RELEASE BUCKLE ASSY-RH TAUPE	V0FWE1 81234 09771 10102	81272 01 R
- 16B	7035-201021-8053	. . END RELEASE BUCKLE ASSY-RH GRAY	V0FWE1	02
- 16C	7035-201011-8096	. . END RELEASE BUCKLE ASSY-LH TAN	V0FWE1 81273 10103 11671	& ON 01 R
- 16D	7035-201011-8105	. . END RELEASE BUCKLE ASSY-LH TAUPE	V0FWE1 81234 09771 10102	81272 01 R
- 16E	7035-201011-8053	. . END RELEASE BUCKLE ASSY-LH GRAY	V0FWE1	02
- 16F	7035-201	. AIRBAG SEAT BUCKLE 172S	V35FB9 11672	& ON 02 R
- 16G	7035-2-011-2396	. CHILD RESTRAINT ADAPTER-LH	V0FWE1	01 R
- 16H	7035-2-021-2396	. CHILD RESTRAINT ADAPTER-RH	V0FWE1	01 R
17	7035-2050218105	. . THREE POINT AIRBAG BELT-LH TAN 172 REFER TO NOTE 1	V0FWE1 81234	& ON 01
- 17A	7035-2050218105	. . THREE POINT AIRBAG BELT-LH TAN 172S REFER TO NOTE 1	V0FWE1 09771	& ON 01
- 17B	7035-2050218053	. . THREE POINT AIRBAG BELT-LH GRAY 172 REFER TO NOTE 2	V0FWE1 80001	81233 01
- 17C	7035-2050218053	. . THREE POINT AIRBAG BELT-LH GRAY 172S REFER TO NOTE 2	V0FWE1 08001	09770 01
- 18	7035-2060218105	. . THREE POINT AIRBAG BELT-RH TAN 172 REFER TO NOTE 1	V0FWE1 81234	& ON 01
- 18A	7035-2060218105	. . THREE POINT AIRBAG BELT-RH TAN 172S REFER TO NOTE 1	V0FWE1 09771	& ON 01
- 18B	7035-2060218053	. . THREE POINT AIRBAG BELT-RH GRAY 172 REFER TO NOTE 2	V0FWE1 80001	81233 01
- 18C	7035-2060218053	. . THREE POINT AIRBAG BELT-RH GRAY 172S REFER TO NOTE 2	V0FWE1 08001	09770 01
19	508794-401	. INFLATOR ASSY	V0FWE1 81234 09771 11671	& ON 02 R
- 19A	512847-401	. INFLATOR ASSEMBLY -172S	11672	& ON 02 R
- 19B	513104-201	. FITTING ASSEMBLY-90 DEG	11672	& ON 02 R
20	508976-205	. CABLE INTERFACE ASSY	V0FWE1	01
21	508358-409	. ELECTRONICS MODULE ASSY 172	V0FWE1 81234	81272 01
- 21A	508358-409	. ELECTRONICS MODULE ASSY 172S	V0FWE1 09771	10102 01
- 21B	508358-421	. ELECTRONICS MODULE ASSY 172	V0FWE1 81273	& ON 01
- 21C	508358-421	. ELECTRONICS MODULE ASSY 172S	V0FWE1 10103	& ON 01
		ATTACHING PARTS		
22	AN3-23A	. BOLT 172	81234	81272 04
- 22A	AN3-23A	. BOLT 172S	09771	10102 04
- 22B	AN3-22A	. BOLT 172	81273	& ON 04
- 22C	AN3-22A	. BOLT 172S	10103	& ON 04
23	NAS1149F0332P	. WASHER 172	81234	81272 04
- 23A	NAS1149F0332P	. WASHER 172S	09771	10102 04
- 23B	NAS1149F0363P	. WASHER 172	81273	& ON 04
- 23C	NAS1149F0363P	. WASHER 172S	10103	& ON 04
24	1219115-8	. EMA STIFFENER - AFT		01
		—*—		
25	MS35207-259	. SCREW		02
26	AN315-3R	. NUT		02
27	MS3367-5-0	. STRAP		AR
28	MS3367-7-0	. STRAP		AR
29		. AFT BENCH SEAT INSTALLATION REFER TO 25-21-00 FIGURE 01		RF

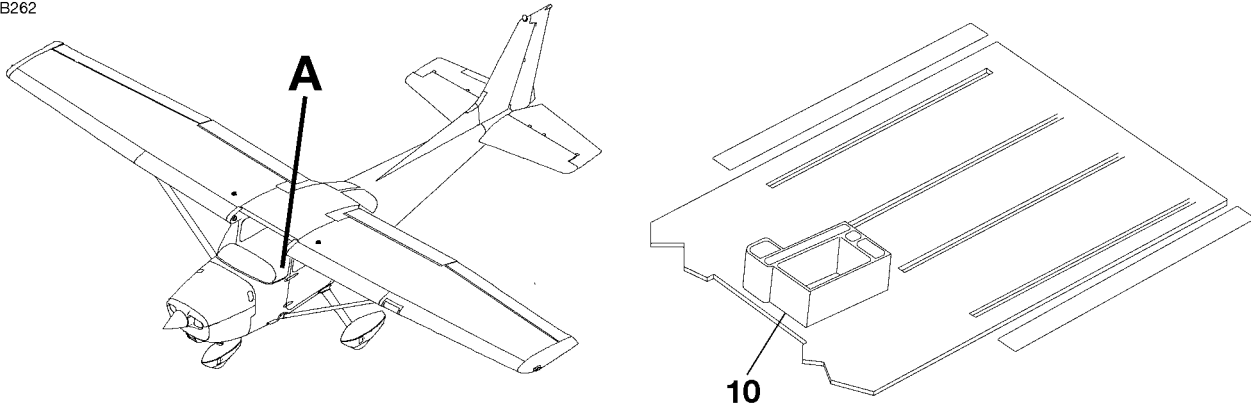
NOTE 1—AIRPLANES 17281234 AND ON AND AIRPLANES 172S09771 AND ON AND AIRPLANES 17280001 THRU 17281233 AND AIRPLANES 172S08001 THRU 172S09770 INCORPORATING MK172-25-09

NOTE 2—AIRPLANES 17280001 THRU 17281233 AND AIRPLANES 172S08001 THRU 172S09770 INCORPORATING MK172-25-09

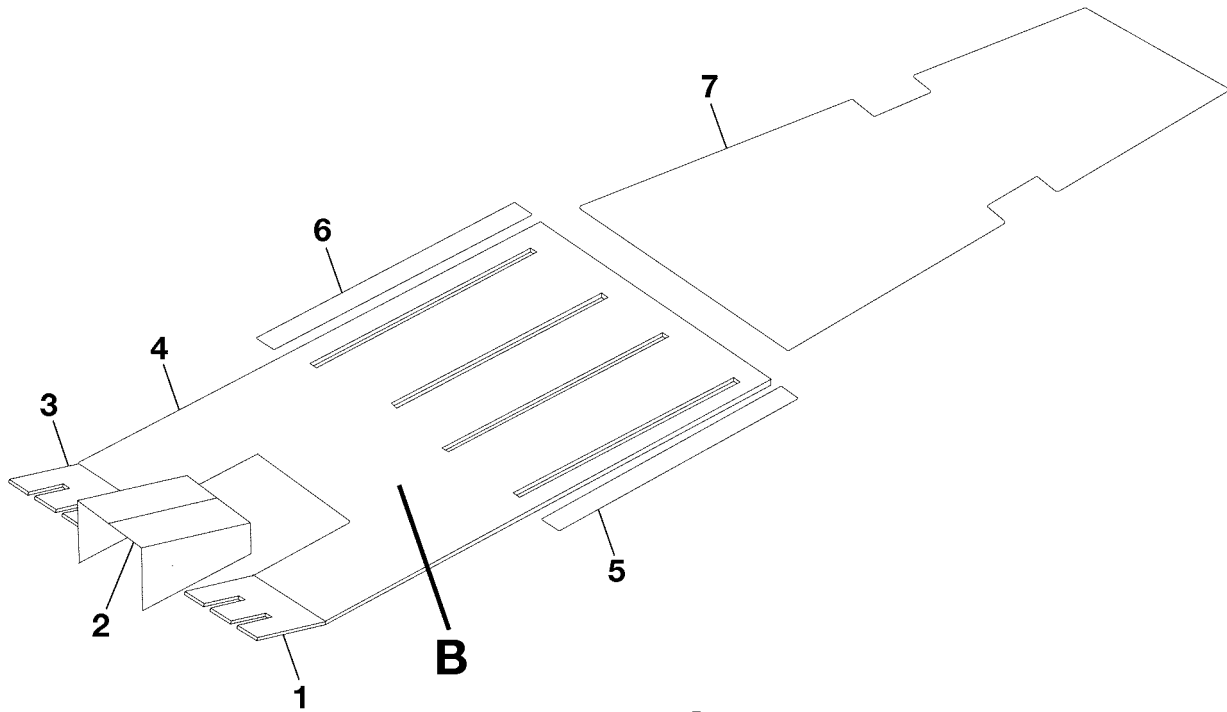
- ITEM NOT ILLUSTRATED

CESSNA AIRCRAFT COMPANY
MODEL 172 (SERIES 1996 AND ON)
ILLUSTRATED PARTS CATALOG

B262



DETAIL B
MILLENIUM



DETAIL A

CARPET INSTALLATION
FIGURE 01 (SHEET 1)

0510T1007
A0519T1062
B0519T1062

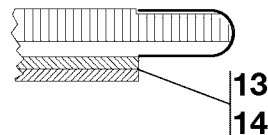
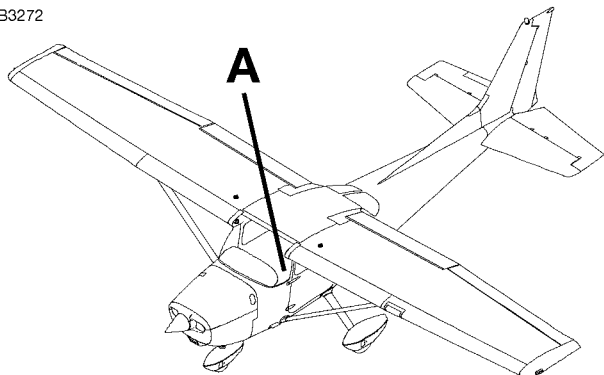
CESSNA AIRCRAFT COMPANY
MODEL 172 (SERIES 1996 AND ON)
 ILLUSTRATED PARTS CATALOG

FIG ITEM	PART NUMBER	NOMENCLATURE	UNITS PER ASSY		
			1	2	3
01					
-		CARPET INSTALLATION	80001	80983	RF
			08001	08703	
1	0515016-15	. CARPET ASSY-LH RUDDER BAR			01
2	0500210-180	. CARPET ASSY			01
3	0515016-14	. CARPET ASSY-RH RUDDER BAR			01
4	0515016-11	. CARPET ASSY-FWD			01
- 4A	0519007-2	. CARPET ASSY-FWD MILLENNIUM 172S	08372	08590	01 R
5	0515016-17	. CARPET ASSY-LH OUTER			01
6	0515016-16	. CARPET ASSY-RH OUTER			01
7	0515016-12	. CARPET ASSY-AFT			01 R
- 8	SW811-172/182-2P	. FLOOR MAT SET 172S	VSTRW 08372	08590	01 R
- 9	F990030	. FABRIC FASTENER USED ON MILLENNIUM 172S	08372	08590	AR R
- 9A	F990310	. FABRIC FASTENER ALT FOR F990030	08372	08590	AR R
10	CJ1036	. CONSOLE CUPHOLDER MILLENNIUM 172S	V0SX36 08372	08590	01 R

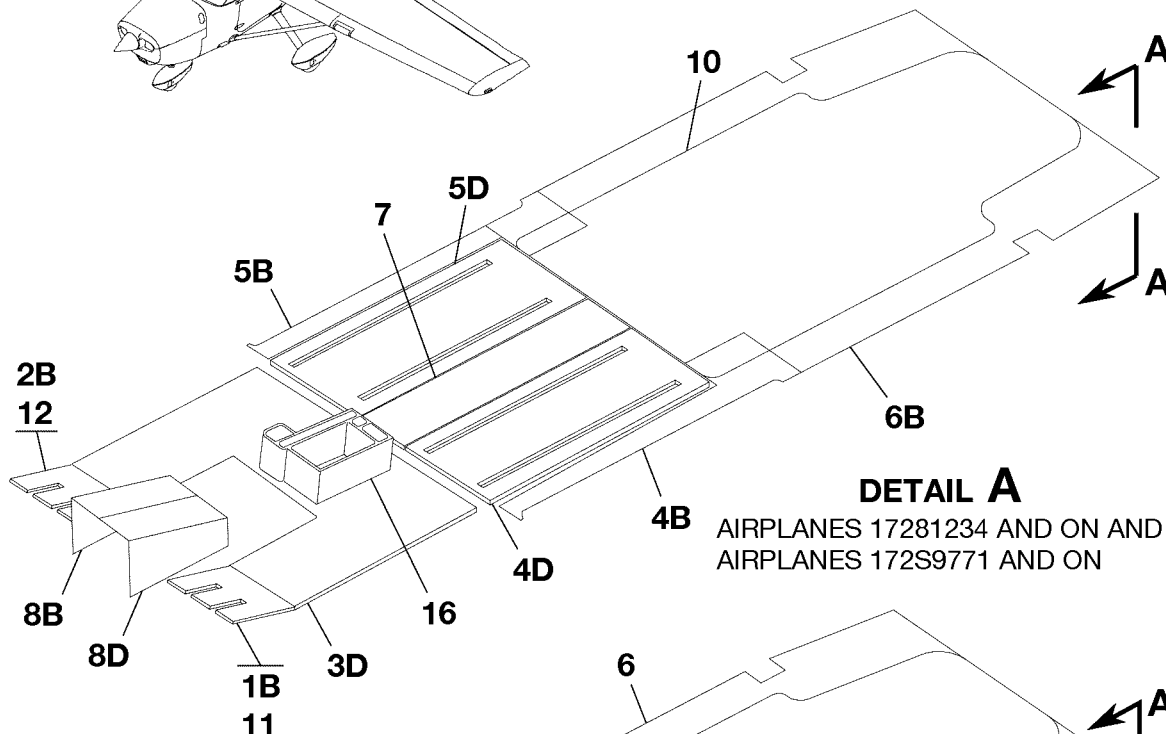
- ITEM NOT ILLUSTRATED

CESSNA AIRCRAFT COMPANY
MODEL 172 (SERIES 1996 AND ON)
 ILLUSTRATED PARTS CATALOG

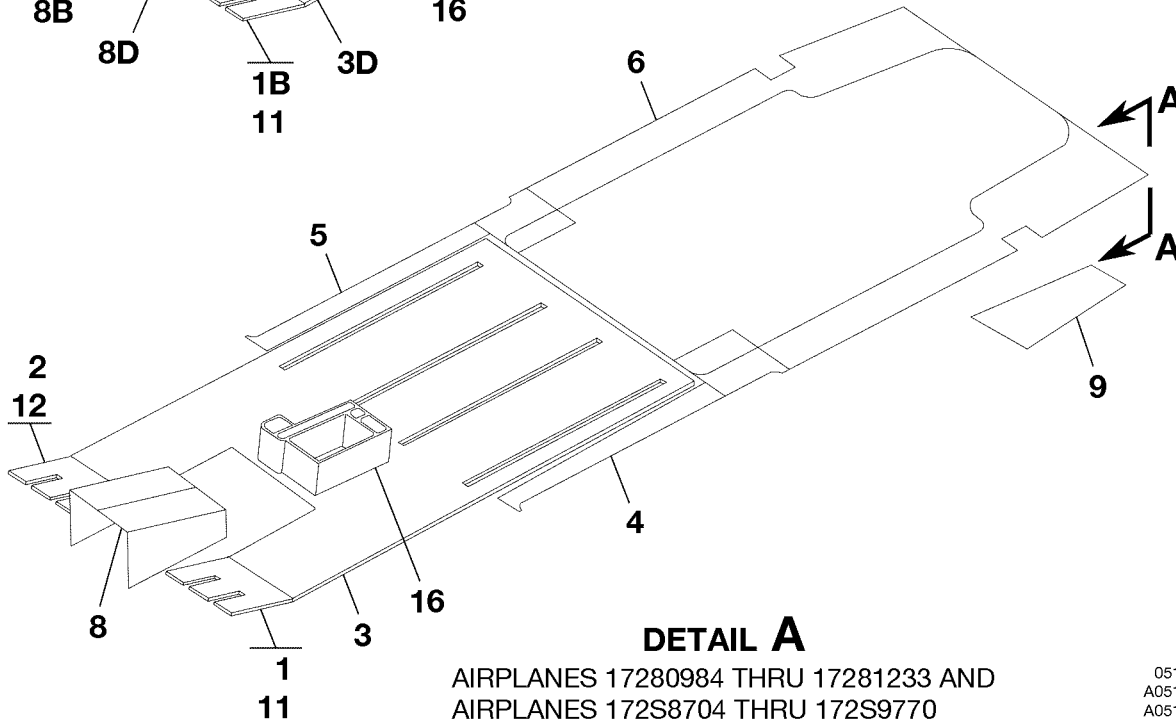
B3272



VIEW A-A
 TYPICAL CARPET ASSEMBLY
 WITH FABRIC FASTENER



DETAIL A
 AIRPLANES 17281234 AND ON AND
 AIRPLANES 172S9771 AND ON



DETAIL A
 AIRPLANES 17280984 THRU 17281233 AND
 AIRPLANES 172S8704 THRU 172S9770

CARPET INSTALLATION
 FIGURE 02 (SHEET 1)

0510T1007
 A0519T1062
 A0519T1062
 AA0519T1061

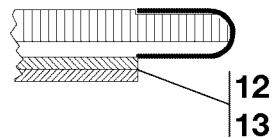
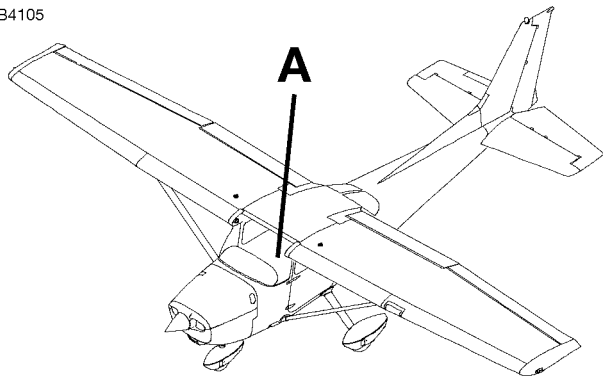
CESSNA AIRCRAFT COMPANY
MODEL 172 (SERIES 1996 AND ON)
ILLUSTRATED PARTS CATALOG

FIG ITEM	PART NUMBER	NOMENCLATURE	UNITS	
			PER	ASSY
02				
-		CARPET INSTALLATION	80984	& ON RF
			08704	& ON
1	0519029-13	. CARPET ASSY-LH RUDDER 172	80984	81200 01
- 1A	0519029-13	. CARPET ASSY-LH RUDDER 172S	08704	09658 01
1B	0519074-3	. CARPET ASSY-LH RUDDER 172	81201	& ON 01
- 1C	0519074-3	. CARPET ASSY-LH RUDDER 172S	09659	& ON 01
2	0519029-14	. CARPET ASSY-RH RUDDER 172	80984	81200 01
- 2A	0519029-14	. CARPET ASSY-RH RUDDER 172S	08704	09658 01
2B	0519074-4	. CARPET ASSY-RH RUDDER 172	81201	& ON 01
- 2C	0519074-4	. CARPET ASSY-RH RUDDER 172S	09659	& ON 01
3	0519029-12	. CARPET ASSY-FWD 172	80984	81200 01
- 3A	0519029-12	. CARPET ASSY-FWD 172S	08704	09658 01
- 3B	0519074-2	. CARPET ASSY-FWD 172	81201	81233 01
- 3C	0519074-2	. CARPET ASSY-FWD 172S	09569	09770 01
3D	0519074-11	. CARPET ASSY-FWD 172	81234	& ON 01
- 3E	0519074-11	. CARPET ASSY-FWD 172S	09771	& ON 01
4	0519029-11	. CARPET ASSY-LH 172	80984	81200 01
- 4A	0519029-11	. CARPET ASSY-LH 172S	08704	09658 01
4B	0519074-5	. CARPET ASSY-LH 172	81201	& ON 01
- 4C	0519074-5	. CARPET ASSY-LH 172S	09569	& ON 01
4D	0519074-13	. CARPET ASSY-LH 172	81234	& ON 01
- 4E	0519074-13	. CARPET ASSY-LH 172S	09771	& ON 01
5	0519029-10	. CARPET ASSY-RH 172	80984	81200 01
- 5A	0519029-10	. CARPET ASSY-RH 172S	08704	09658 01
5B	0519074-6	. CARPET ASSY-RH 172	81201	& ON 01
- 5C	0519074-6	. CARPET ASSY-RH 172S	09659	& ON 01
5D	0519074-14	. CARPET ASSY-RH 172	81234	& ON 01
- 5E	0519074-14	. CARPET ASSY-RH 172S	09771	& ON 01
6	0519029-9	. CARPET ASSY 172	80984	81200 01
- 6A	0519029-9	. CARPET ASSY 172S REFER TO NOTE 1	08704	09658 01
6B	0519074-8	. CARPET ASSY 172 REFER TO NOTE 1	81201	& ON 01
- 6C	0519074-8	. CARPET ASSY 172S	09659	& ON 01
7	0519074-15	. CARPET ASSY 172	81234	& ON 01
- 7A	0519074-15	. CARPET ASSY 172S	09771	& ON 01
8	0500210-180	. CARPET ASSY 172	80984	81200 01
- 8A	0500210-180	. CARPET ASSY 172S	08704	09658 01
8B	0519074-10	. FLOOR COVER-RH TUNNEL 172	81201	& ON 01
- 8C	0519074-10	. FLOOR COVER-RH TUNNEL 172S	09569	& ON 01
8D	0519074-9	. FLOOR COVER-LH TUNNEL 172	81201	& ON 01
- 8E	0519074-9	. FLOOR COVER-LH TUNNEL 172S	09569	& ON 01
9	0519074-7	. CARPET ASSY-BAGGAGE 172	81201	& ON 01
- 9A	0519074-7	. CARPET ASSY-BAGGAGE 172S	09569	& ON 01
- 9B	0519074-18	. FLOOR COVER-BAGGAGE OPTION 172S	11436	& ON 01
10	0519074-17	. FLOOR COVER-AFT OPTION 172S	11436	& ON 01
11	0513057-1	. SHIELD-LH		01
12	0513058-4	. SHIELD-RH 172	80984	81240 01
- 12A	0513058-4	. SHIELD-RH 172S	08704	09809 01
- 12B	0513058-5	. SHIELD-RH 172	81241	& ON 01
- 12C	0513058-5	. SHIELD-RH 172S	09810	& ON 01
13	F990042	. FABRIC FASTENER-BKI FSO F990328		NP R
- 13A	F990309	. FABRIC FASTENER-BKI ALT FOR F990042 FSO F990328		NP R
- 13B	F990328	. FABRIC FASTENER		AR R
14	F990030	. FABRIC FASTENER-BKI		AR
- 14A	F990310	. FABRIC FASTENER-BKI ALT FOR F990030		AR
- 15	F990048	. FABRIC FASTENER-BKI		AR
- 15A	F990307	. FABRIC FASTENER-BKI ALT FOR F990048 FSO F990324		NP R
- 15B	F990324	. FABRIC FASTENER		AR R
16	CJ1036	. CONSOLE	V0SX36 80984	& ON 01 R
			08704	10885
- 16A	CJ1089-01	. CONSOLE ASSY-WITH GATS HOLDER	V0SX36 11436	& ON 01 R

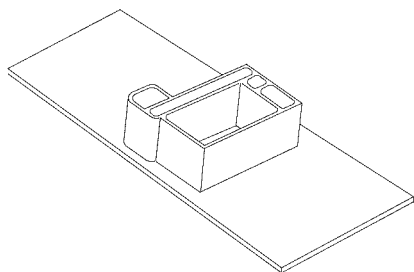
NOTE 1—ALSO USED WITH OBSERVER SEAT OPTION.

CESSNA AIRCRAFT COMPANY
MODEL 172 (SERIES 1996 AND ON)
 ILLUSTRATED PARTS CATALOG

B4105

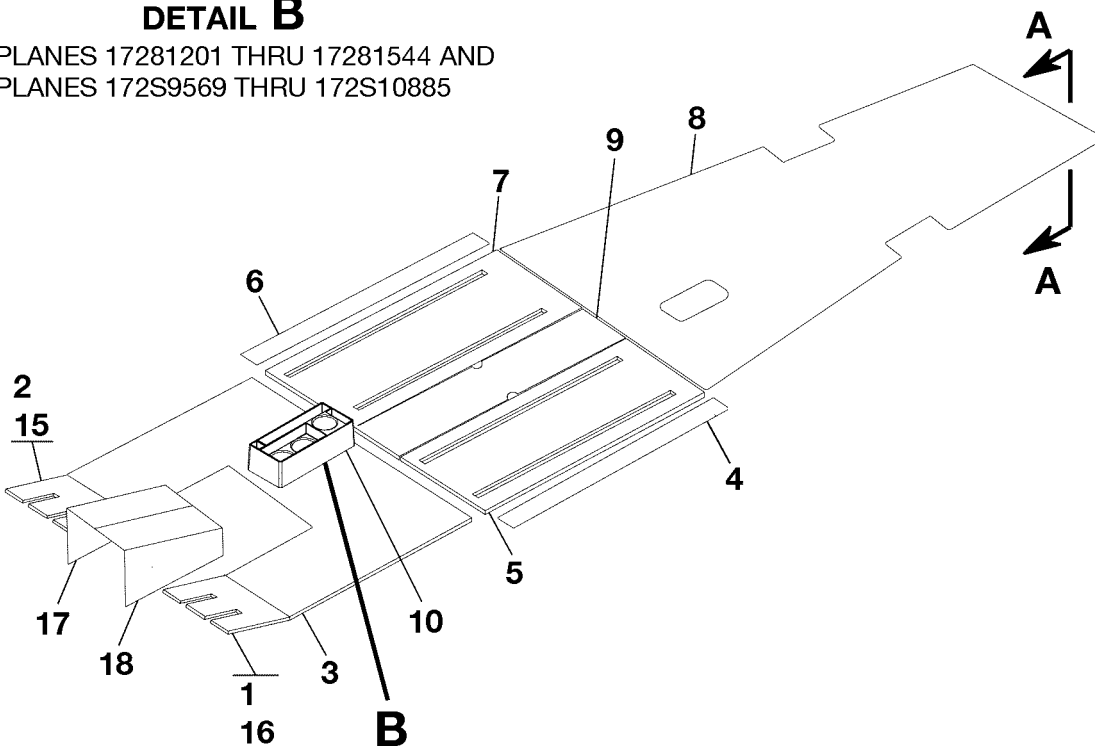


VIEW A-A
 TYPICAL CARPET ASSEMBLY
 WITH FABRIC FASTENER



DETAIL B

AIRPLANES 17281201 THRU 17281544 AND
 AIRPLANES 172S9569 THRU 172S10885



DETAIL A

CARPET INSTALLATION
 FIGURE 03 (SHEET 1)

0710T1001
 A0519T074
 B0519T1100
 AA0519T1061

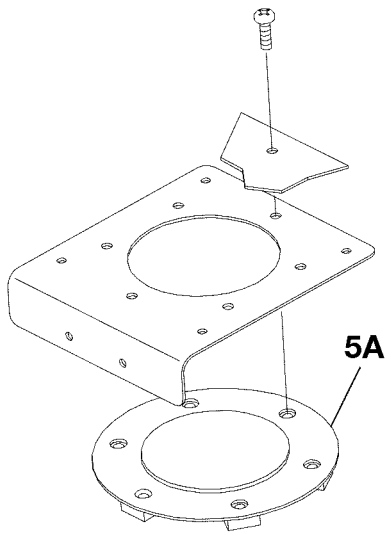
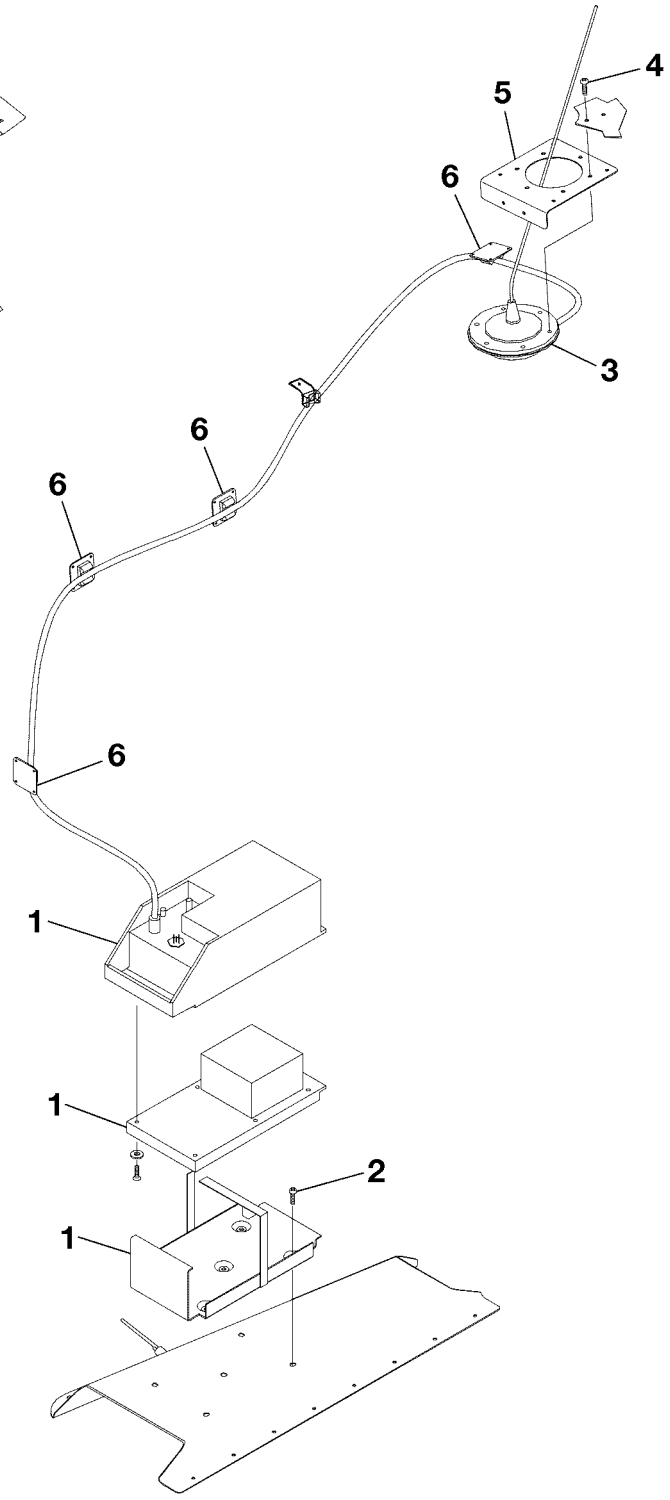
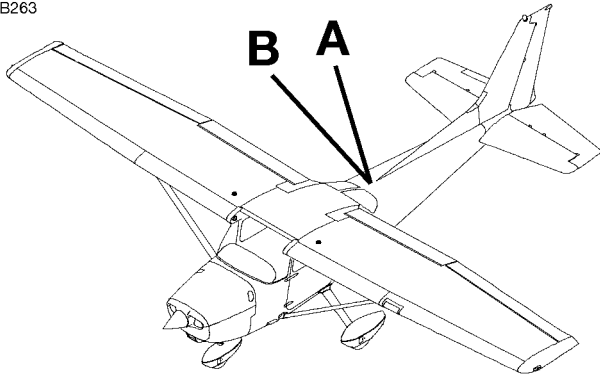
CESSNA AIRCRAFT COMPANY
MODEL 172 (SERIES 1996 AND ON)
ILLUSTRATED PARTS CATALOG

FIG ITEM	PART NUMBER	NOMENCLATURE	UNITS PER ASSY		
			1	2	3
03					
-		CARPET INSTALLATION -INFLATABLE RESTRAINT SYSTEM	81234	& ON	RF
			09771	& ON	
1	0519074-3	. CARPET ASSY-LH RUDDER			01
2	0519074-4	. CARPET ASSY-RH RUDDER			01
3	0519074-11	. CARPET ASSY-FWD			01
4	0519074-5	. CARPET ASSY-LH			01
5	0519074-13	. CARPET ASSY-LH			01
6	0519074-6	. CARPET ASSY-RH			01
7	0519074-14	. CARPET ASSY-RH			01
8	0519074-12	. CARPET ASSY			01
9	0519074-15	. CARPET ASSY			01
10	CJ1036	. CONSOLE	V0SX36 81201	81544	01
- 10A	CJ1036	. CONSOLE	V0SX36 09569	10885	01
- 11	CJ1089-01	. CONSOLE ASSY	V0SX36 81545	& ON	01
- 11A	CJ1089-01	. CONSOLE ASSY	V0SX36 10886	& ON	01
12	F990042	. FABRIC FASTENER-BKI FSO F990328			NP R
- 12A	F990309	. FABRIC FASTENER-BKI ALT FOR F990042 FSO F990328			NP R
- 12B	F990328	. FABRIC FASTENER			AR R
13	F990030	. FABRIC FASTENER-BKI			AR
- 13A	F990310	. FABRIC FASTENER-BKI ALT FOR F990030			AR
- 14	F990048	. FABRIC FASTENER-BKI FSO F990318			NP
- 14A	F990318	. FABRIC FASTENER-BKI FSO F990324			NP R
- 14B	F990021	. FABRIC FASTENER-BKI ALT FOR F990048			AR
- 14C	F990324	. FABRIC FASTENER			AR R
15	0513058-5	. SHIELD			01
16	0513057-1	. SHIELD			01
17	0519074-10	. FLOOR COVER-RH TUNNEL			01
18	0519074-9	. FLOOR COVER-LH TUNNEL			01

- ITEM NOT ILLUSTRATED

CESSNA AIRCRAFT COMPANY
MODEL 172 (SERIES 1996 AND ON)
 ILLUSTRATED PARTS CATALOG

B263



DETAIL B
 WITH ELT REMOVED

DETAIL A

EMERGENCY LOCATOR TRANSMITTER 3000-11/4000-11
 FIGURE 01 (SHEET 1)

0510T1007
 A0518T1014
 B0518T1061

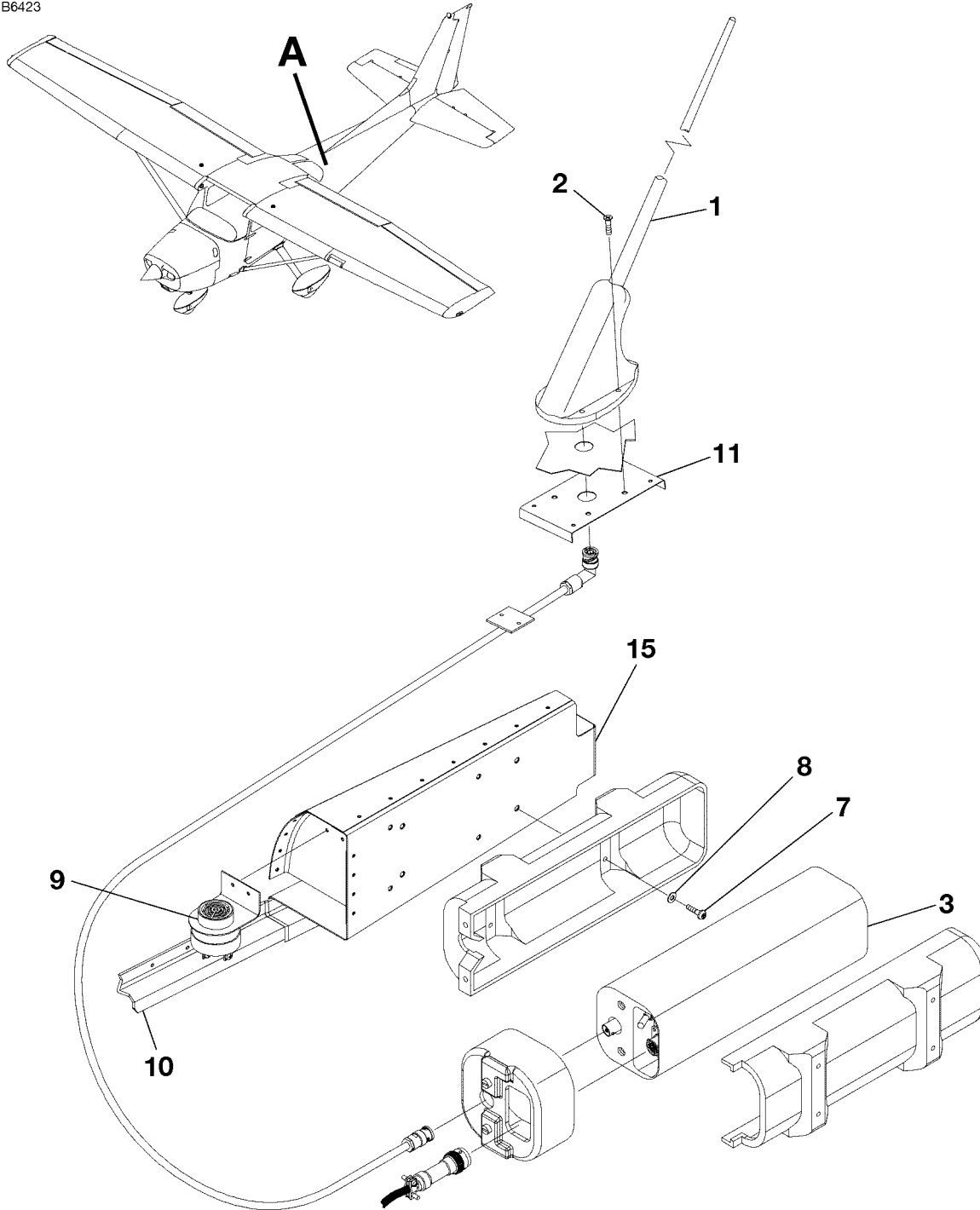
CESSNA AIRCRAFT COMPANY
MODEL 172 (SERIES 1996 AND ON)
 ILLUSTRATED PARTS CATALOG

FIG ITEM	PART NUMBER	NOMENCLATURE	UNITS PER ASSY		
			1	2	3
01					
-		EMERGENCY LOCATOR TRANSMITTER 3000-11/4000-11		80001 81356	RF R
				8001 10431	
1	3000-11	. ELT TRANSMITTER V58507		80001 81355	01
				08001 10423	
- 1A	4000-11	. ELT TRANSMITTER-CANADIAN CERTIFICATION 172 V58507		80708 81097	01
				81116 81356	
- 1B	4000-11	. ELT TRANSMITTER-CANADIAN CERTIFICATION 172S V58507		08130 09062	01
				09098 10431	
- 1C	2020-0	. . BATTERY PACK-ELT V58507			01
2	MS35206-230	. SCREW-MOUNT ATTACH			05
3	3003-45	. ANTENNA-ELT 172 V58507	80001	81097	01
- 3A	3003-45	. ANTENNA-ELT 172S V58507	08001	09062	01
- 3B	3001-12	. WHIP ANTENNA-ELT 172 V58507	81098	81355	01
- 3C	3001-12	. WHIP ANTENNA-ELT 172S V58507	09063	10423	01
		ATTACHING PARTS			
4	MS35190-230	. SCREW			06
		—*—			
5	0511819-2	. DOUBLER			01
5A	3930317-1	. ANTENNA PLATE ASSY-NO E.L.T. U.K.			01
6	S2606-2	. MOUNT			04
- 6A	MS3367-1-9	. STRAP			01

- ITEM NOT ILLUSTRATED

CESSNA AIRCRAFT COMPANY
MODEL 172 (SERIES 1996 AND ON)
ILLUSTRATED PARTS CATALOG

B6423



DETAIL A

C406-N EMERGENCY LOCATOR TRANSMITTER
FIGURE 02 (SHEET 1)

0510T1007
A0518T1154

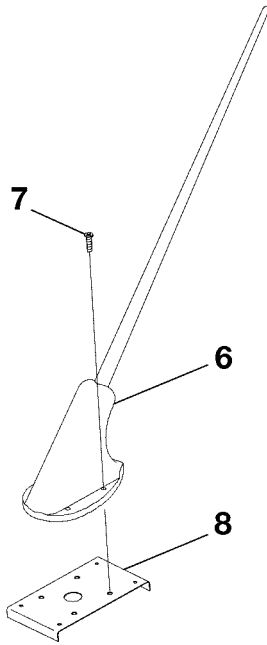
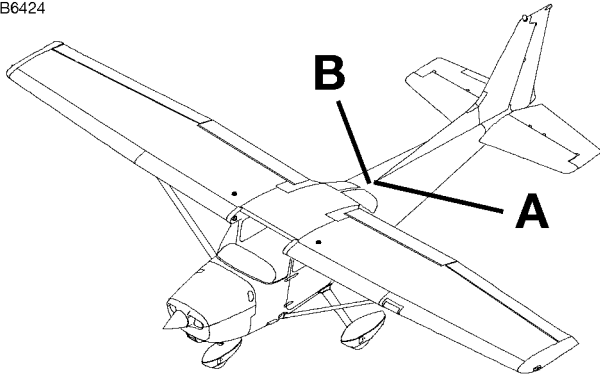
CESSNA AIRCRAFT COMPANY
MODEL 172 (SERIES 1996 AND ON)
 ILLUSTRATED PARTS CATALOG

FIG ITEM	PART NUMBER	NOMENCLATURE	UNITS PER ASSY		
			1	2	3
02					
-		C406-N EMERGENCY LOCATOR TRANSMITTER		81334 & ON 10215 & ON	RF R
1	110-338	. C406-N ELT ROD ANTENNA V60253 ATTACHING PARTS			01
2	MS24694-C7	. SCREW —*—			04
3	453-5060	. C406-N, MAIN ASSY V60253			01
- 4	452-5050	. MOUNTING TRAY ASSY V60253			01
- 5	452-5066	. CAP, ASSEMBLY V60253			01
- 6	452-3052	. FRAME ASSY V60253 ATTACHING PARTS			01
7	MS27039C0810	. SCREW			04
8	NAS1149CN832R	. WASHER —*—			04
9	130-4004	. BUZZER ELT V60253			01
10		. SUPPORT INSTALLATION REFER TO 53-20-00 FIGURE 01			RF
11	3940446-5	. DOUBLER ASSY - ELT ANT			01
- 12	3940444-10	. BRACKET ASSY - ELT			01
- 13	MS21059L06	. . NUTPLATE			04
- 14	MS21060L08	. . NUTPLATE			04
- 15	3940444-9	. . BRACKET			01
- 16	345-6196-04	. REMOTE SWITCH ELT			01
- 17	452-0133	. BATTERY			01

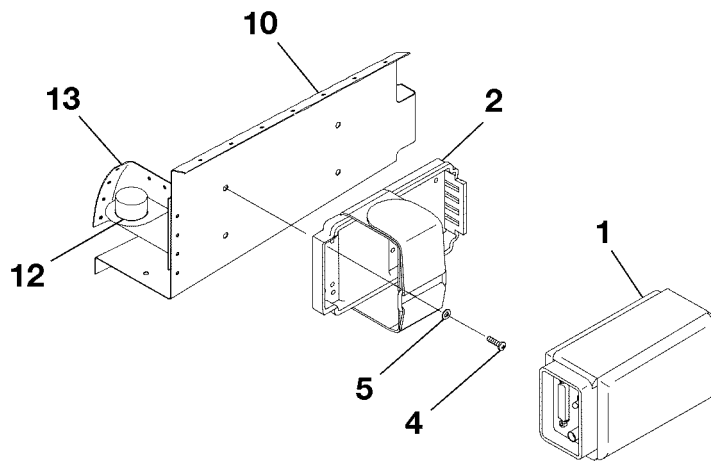
- ITEM NOT ILLUSTRATED

CESSNA AIRCRAFT COMPANY
MODEL 172 (SERIES 1996 AND ON)
ILLUSTRATED PARTS CATALOG

B6424



DETAIL B



DETAIL A

ME406 EMERGENCY LOCATOR TRANSMITTER
FIGURE 03 (SHEET 1)

0510T1007
A0518T1152

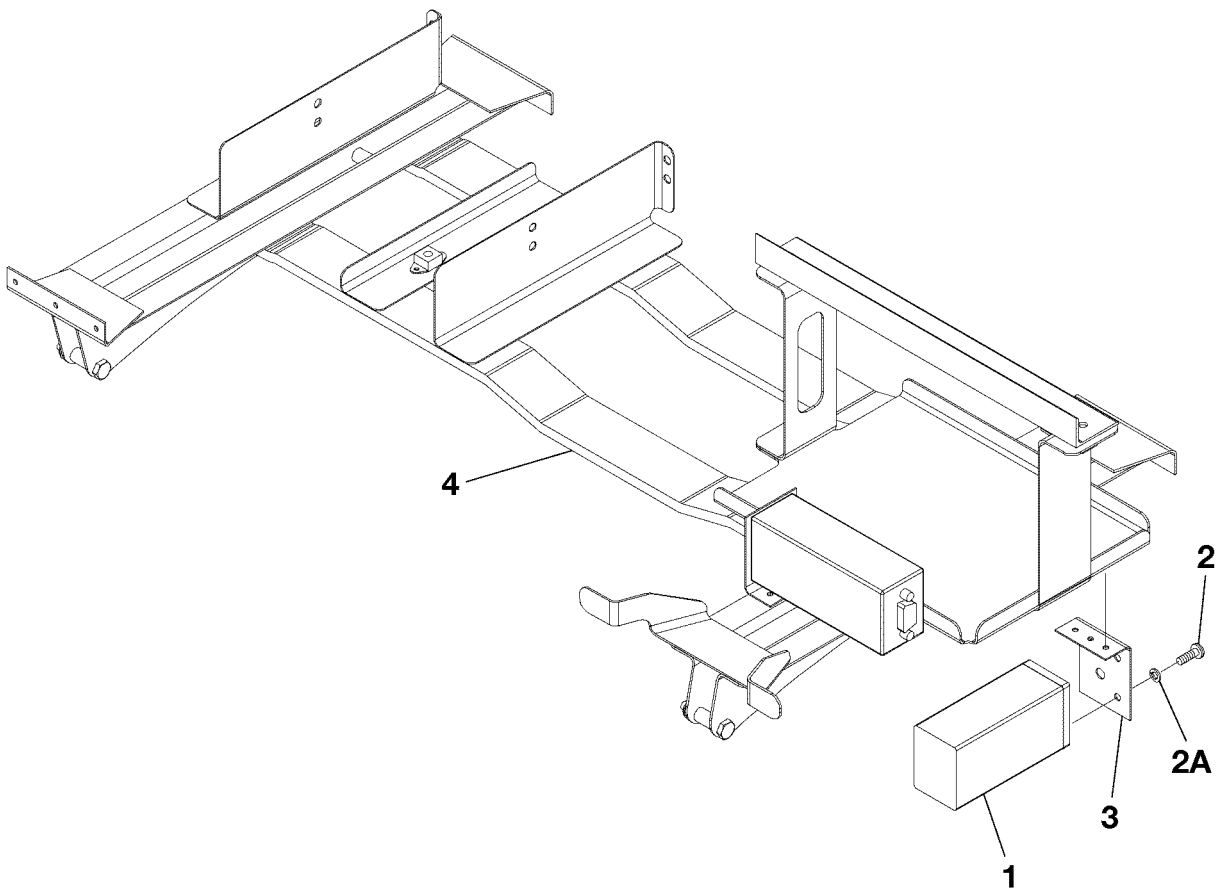
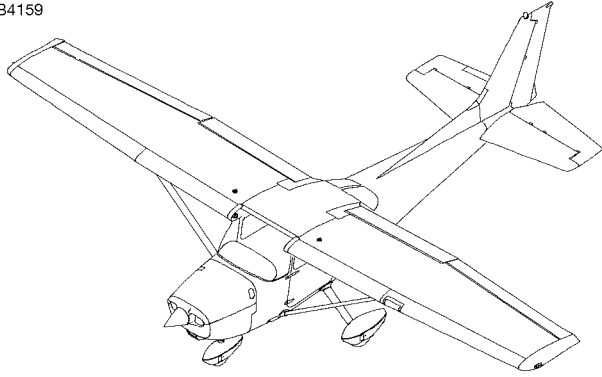
CESSNA AIRCRAFT COMPANY
MODEL 172 (SERIES 1996 AND ON)
ILLUSTRATED PARTS CATALOG

FIG ITEM	PART NUMBER	NOMENCLATURE	UNITS		
			PER	ASSY	
03					
-		ME406 EMERGENCY LOCATOR TRANSMITTER	81357	& ON	RF
			10432	& ON	
1	S3100-443	. MAIN ASSY-ME406 ELT 172 FSO S3100-496	81357	81524	NP
- 1A	S3100-443	. MAIN ASSY-ME406 ELT 172S FSO S3100-496	10432	10740	NP
- 1B	S3100-496	. MAIN ASSY-ME406 ELT 172 FSO S3100-565 REF 453-6603 (REV D ONLY) .	81525	81584	NP
- 1C	S3100-496	. MAIN ASSY-ME406 ELT 172S FSO S3100-565 REF 453-6603 (REV D ONLY)	10741	11097	NP
- 1D	S3100-565	. MAIN ASSY-ME406 ELT 172	81585	& ON	01
- 1E	S3100-565	. MAIN ASSY-ME406 ELT 172S	11098	& ON	01
2	452-3034	. TRAY ASSY-MOUNTING 172 V60253	81357	81622	01 R
- 2A	452-3034	. TRAY ASSY-MOUNTING 172S V60253	10432	11432	01 R
- 2B	452-3034-1	. TRAY ASSY-MOUNTING 172 V18560	81623	& ON	01 R
- 2C	452-3034-1	. TRAY ASSY-MOUNTING 172S V18560	11433	& ON	01 R
- 3	3929155-1	. ADAPTER-CABLE ASSY ME406 V60253			01
		ATTACHING PARTS			
4	MS27039C0810	. SCREW			04
5	NAS1149CN832R	. WASHER			04
		—*—			
6	110-338	. C406-N-ELT ROD ANTENNA V60253			01
		ATTACHING PARTS			
7	MS24694-C7	. SCREW			04
		—*—			
8	3940446-5	. DOUBLER ASSY-ELT ANTENNA			01
- 9	3940458-3	. BRACKET ASSY			01
10	3940458-4	. BRACKET			01
- 11	MS21060L08	. NUTPLATE			04
12	452-6505	. BUZZER V60253			01
13		. SUPPORT INSTALLATION REFER TO 53-20-00 FIGURE 01			RF
- 14	345-6196-04	. REMOTE SWITCH			01
		ATTACHING PARTS			
- 15	S3484-6-8B	. SCREW			04
		—*—			
- 16	455-0012	. BATTERY			01

- ITEM NOT ILLUSTRATED

CESSNA AIRCRAFT COMPANY
MODEL 172 (SERIES 1996 AND ON)
ILLUSTRATED PARTS CATALOG

B4159



DETAIL A

CO DETECTOR
FIGURE 01 (SHEET 1)

0510T1007
A0514T1064

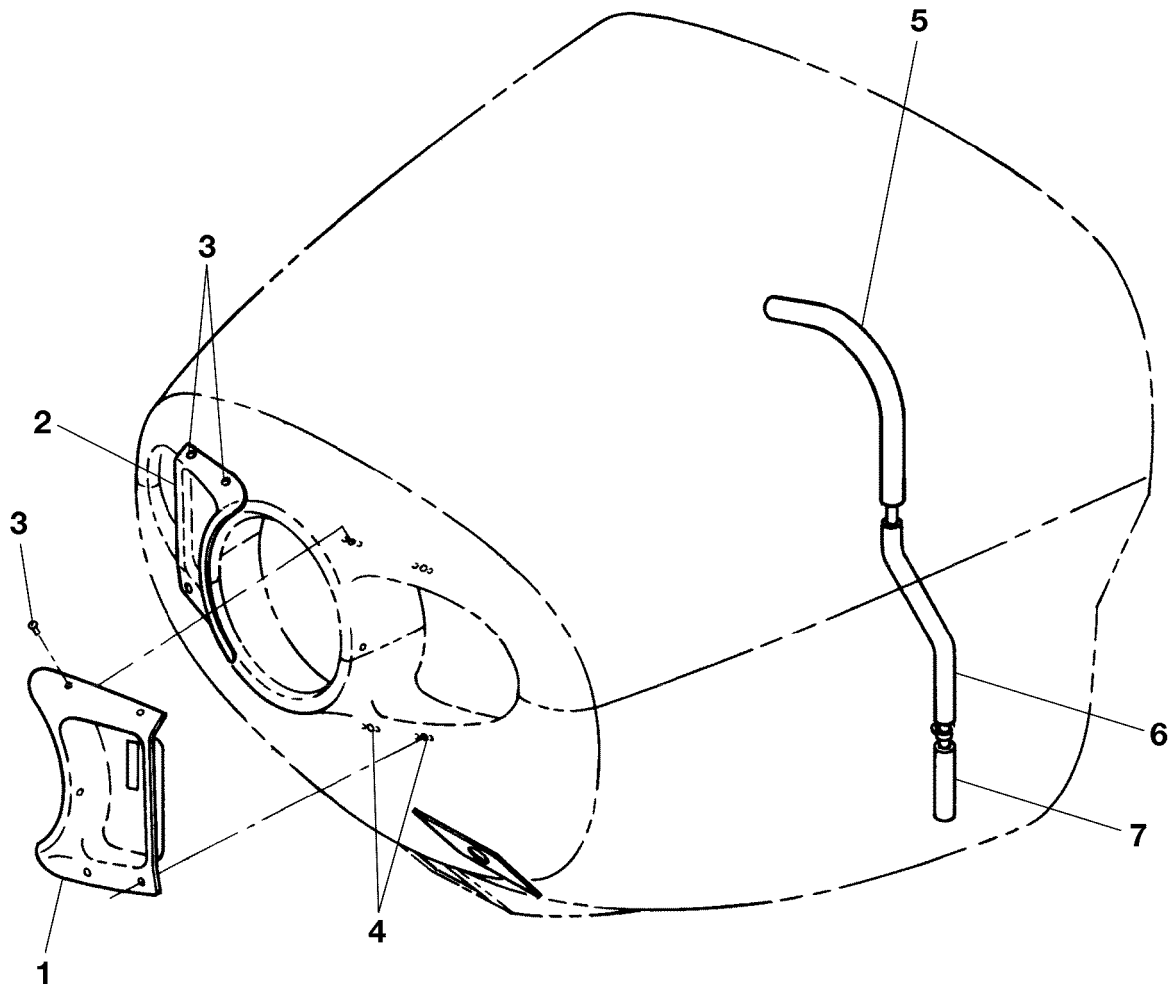
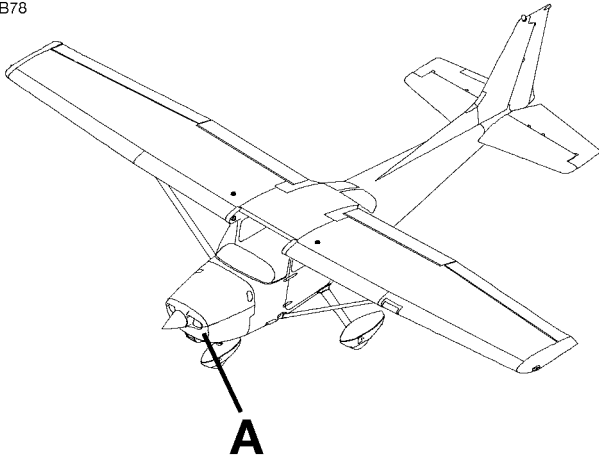
CESSNA AIRCRAFT COMPANY
MODEL 172 (SERIES 1996 AND ON)
 ILLUSTRATED PARTS CATALOG

FIG ITEM	PART NUMBER	1 2 3 4 5 6 7	NOMENCLATURE	UNITS	
				PER	ASSY
01			CO DETECTOR		RF
-			. DETECTOR 172	81272	81544 01 R
1	452-201-006		. DETECTOR 172S	10102	10825 01 R
- 1A	452-201-006		. DETECTOR 172	81545	& ON 01 R
- 1B	452-201-010		. DETECTOR 172S	10826	& ON 01 R
- 1C	452-201-010		ATTACHING PARTS		
2	MS35206-245		. SCREW		03
2A	MS35338-42		. WASHER, LOCK, SPRING		03
			—*		
3	0501174-2		. BRACKET		01 R
4			. AVIONICS STRUCTURE REFER TO 53-10-00 FIGURE 01		RF R

- ITEM NOT ILLUSTRATED

CESSNA AIRCRAFT COMPANY
MODEL 172 (SERIES 1996 AND ON)
ILLUSTRATED PARTS CATALOG

B78



DETAIL A

WINTERIZATION EQUIPMENT
FIGURE 01 (SHEET 1)

0510T1007
A0580R1002

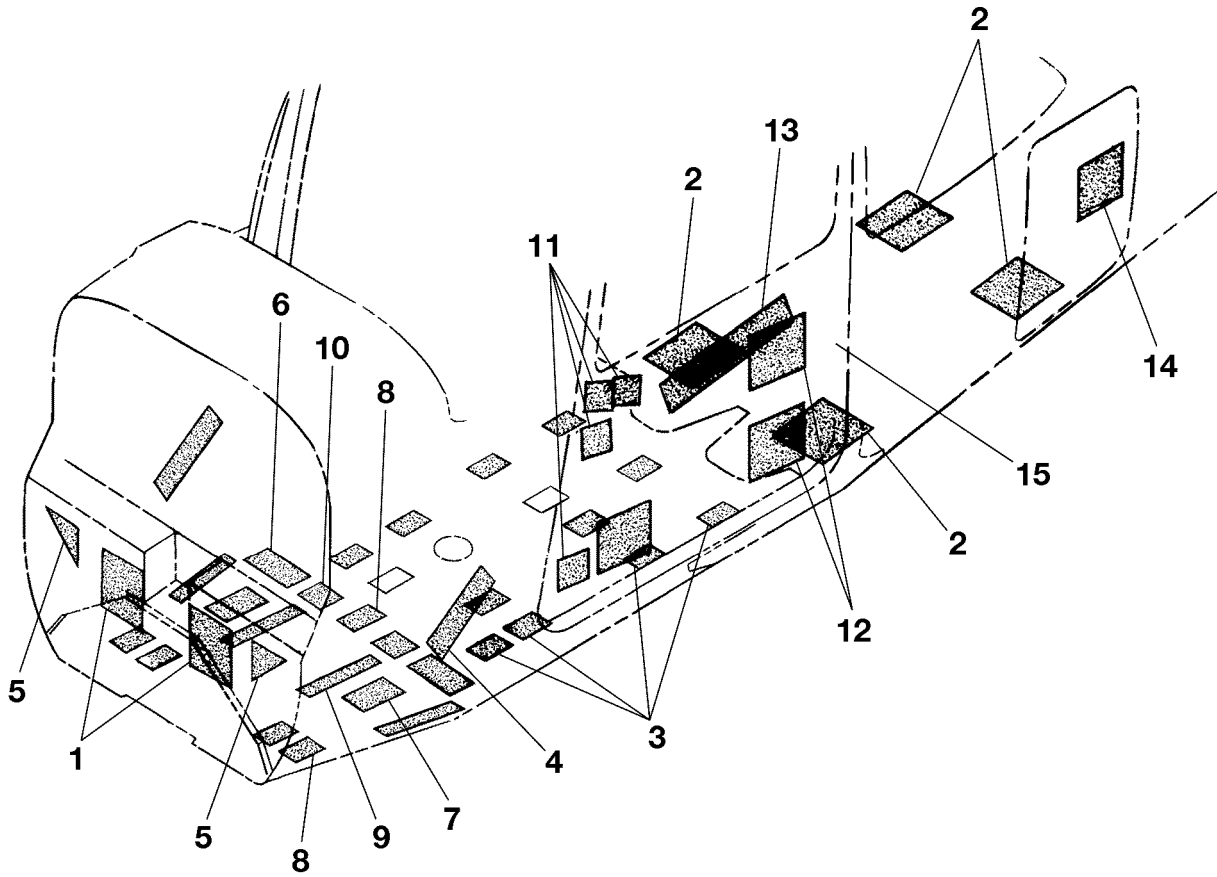
CESSNA AIRCRAFT COMPANY
MODEL 172 (SERIES 1996 AND ON)
 ILLUSTRATED PARTS CATALOG

FIG ITEM	PART NUMBER	NOMENCLATURE	UNITS	
			PER	ASSY
01				
-		WINTERIZATION EQUIPMENT		RF
1	0552229-3	. COVER-NOSE CAP LH		01
2	0552229-4	. COVER-NOSE CAP RH FSO 0552229-6 172	80001	81012 01
- 2A	0552229-4	. COVER-NOSE CAP RH FSO 0552229-6 172S	08001	08769 01
- 2B	0552229-6	. COVER-NOSE CAP RH 172	81013	& ON 01
- 2C	0552229-6	. COVER-NOSE CAP RH 172S	08770	& ON 01
		ATTACHING PARTS		
3	AN525-832R10	. SCREW 172	80001	81215 05
- 3A	AN525-832R10	. SCREW 172S	08001	09637 05
4	MS21047L08	. NUTPLATE 172	80001	81215 04
- 4A	MS21047L08	. NUTPLATE 172S	08001	09637 04
		—*—		
- 4B	S4213-10	. CLIP NUT 172	80001	80120 01 R
- 4C	S1021Z8-8	. SCREW 172	80001	80120 01
5	0552011-14	. INSULATION-BREATHER TUBE		01
6	0552011-12	. INSULATION-BREATHER TUBE		01
7	0552011-13	. INSULATION-BREATHER TUBE		01

- ITEM NOT ILLUSTRATED

CESSNA AIRCRAFT COMPANY
MODEL 172 (SERIES 1996 AND ON)
ILLUSTRATED PARTS CATALOG

B266



SOUNDPROOFING INSTALLATION-FUSELAGE
FIGURE 01 (SHEET 1)

0519R1029

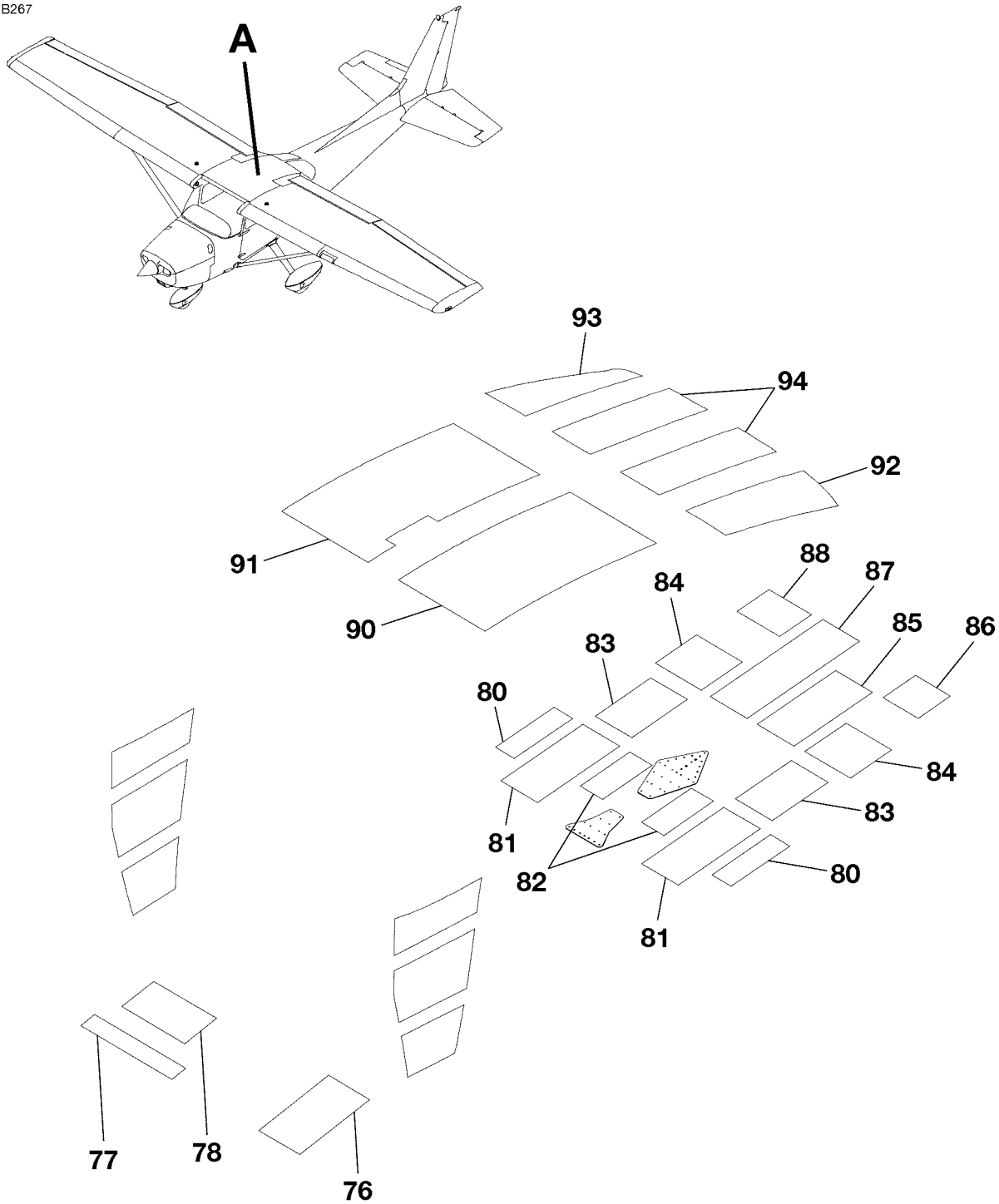
CESSNA AIRCRAFT COMPANY
MODEL 172 (SERIES 1996 AND ON)
 ILLUSTRATED PARTS CATALOG

FIG ITEM	PART NUMBER	NOMENCLATURE	UNITS
			PER ASSY
01		SOUNDPROOFING INSTALLATION-FUSELAGE	RF
-		. PANEL-SOUNDPROOFING	02
1	1700127-1	01
- 1A	R441410	04
2	1700127-1	13
3	1200217-8	02
4	1700127-4	01
5	1700127-6	02
6	1200193-11	02
7	1200217-5	05
8	1200217-7	01
- 8A	P447012	01
9	1700127-16	04
10	1200193-26	02
- 10A	P447012	01
11	2400002-4	08
12	2400002-3	06
- 12A	P440480	01
13	2400002-17	02
- 13A	0700762-19	02
- 13B	F441588	01
14	2400002-6	01
15	0700762-19	02
- 16	F441588	02
- 17	P447012	AR
- 18	P440034	NP R
- 18A	P440576	AR R

- ITEM NOT ILLUSTRATED

CESSNA AIRCRAFT COMPANY
MODEL 172 (SERIES 1996 AND ON)
ILLUSTRATED PARTS CATALOG

B267



DETAIL A

SOUNDPROOFING INSTALLATION-FUSELAGE
FIGURE 01 (SHEET 2)

0510T1007
A0519T1057

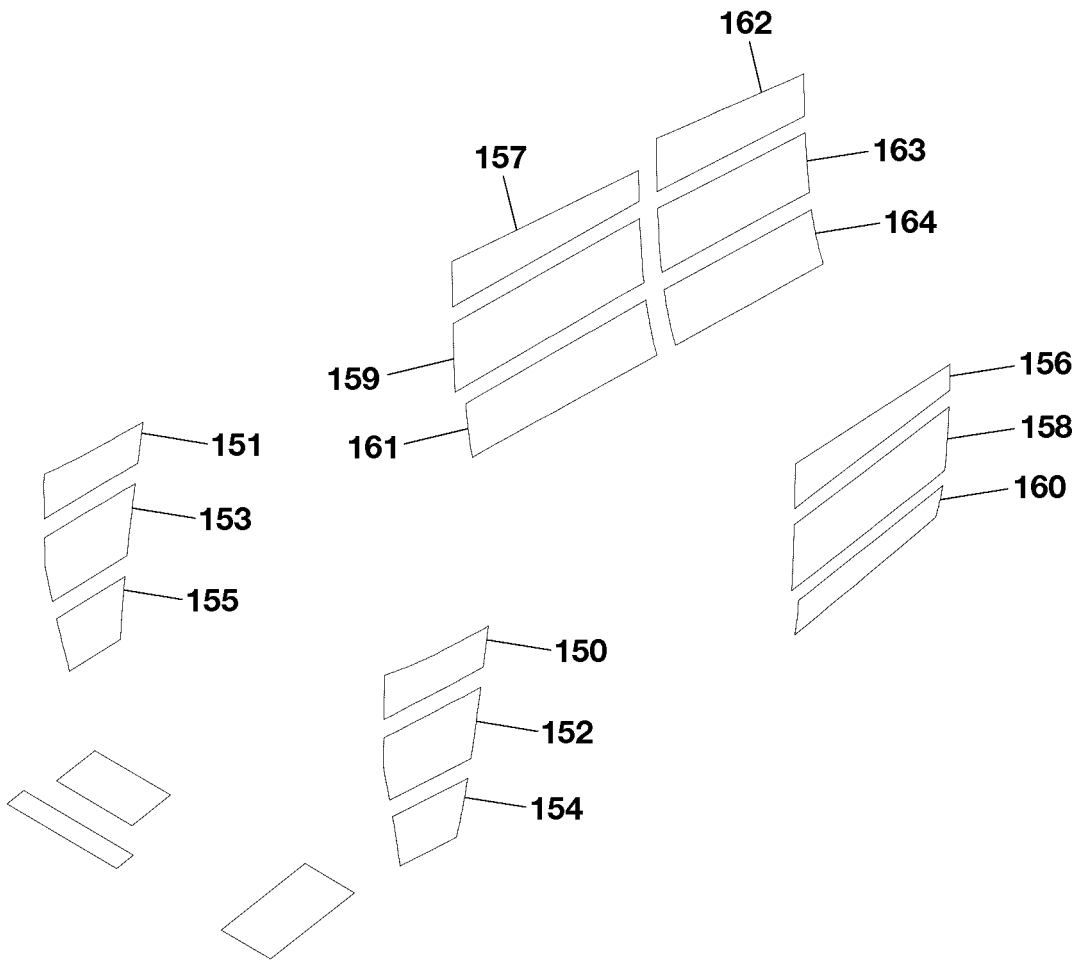
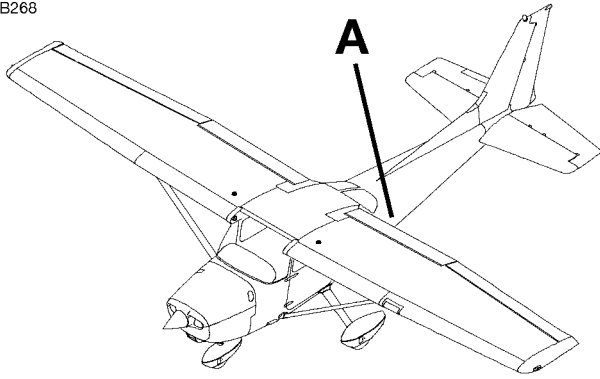
CESSNA AIRCRAFT COMPANY
MODEL 172 (SERIES 1996 AND ON)
 ILLUSTRATED PARTS CATALOG

FIG ITEM	PART NUMBER	NOMENCLATURE	UNITS
			PER ASSY
01			
- 75	0500834-3	. COCKPIT FLOOR DAMPENING MATERIAL	01
- 75A	P440035	. . DAMPING MATERIAL FSO P440576	NP R
- 75B	P440576	. . DAMPING MATERIAL	AR R
76	0500834-24	. . PAD	01
77	0500834-25	. . PAD	01
78	0500834-26	. . PAD	01
- 79	0500834-4	. CABIN FLOOR DAMPENING MATERIAL	01
80	0500834-27	. . PAD	02
81	0500834-28	. . PAD	02
82	0500834-29	. . PAD	02
83	0500834-30	. . PAD	AR
84	0500834-31	. . PAD	02
85	0500834-32	. . PAD	01
86	0500834-33	. . PAD	01
87	0500834-34	. . PAD	01
88	0500834-35	. . PAD	01
- 89	0500834-5	. CABIN TOP DAMPENING MATERIAL	01
90	P440032	. . PAD-REPLACES 0500834-36 FSO P440578	NP R
- 90A	P440578	. . DAMPING MATERIAL	AR R
- 90B	P447012	. . FOIL BACKED FOAM INSULATION .250 BKI	01
91	P440032	. . FOIL BACKED FOAM INSULATION .040 BKI REPLACES P447012 FSO P440578	NP R
- 91A	P440578	. . DAMPING MATERIAL	AR R
- 91B	0500834-37	. . PAD	01
92	0500834-38	. . PAD	01
93	0500834-39	. . PAD	01
94	0500834-40	. . PAD	01

- ITEM NOT ILLUSTRATED

CESSNA AIRCRAFT COMPANY
MODEL 172 (SERIES 1996 AND ON)
ILLUSTRATED PARTS CATALOG

B268



DETAIL A

SOUNDPROOFING INSTALLATION-FUSELAGE
FIGURE 01 (SHEET 3)

0510T1007
A0519T1057

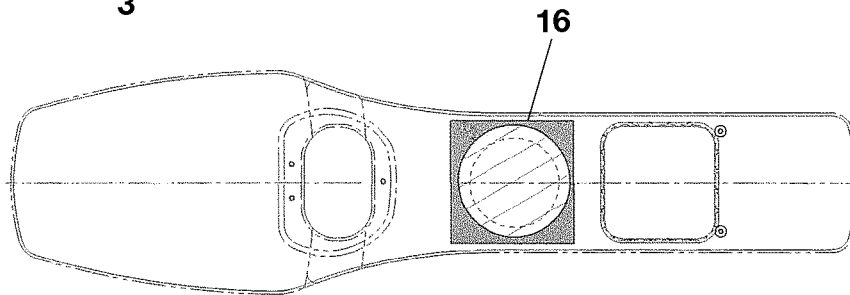
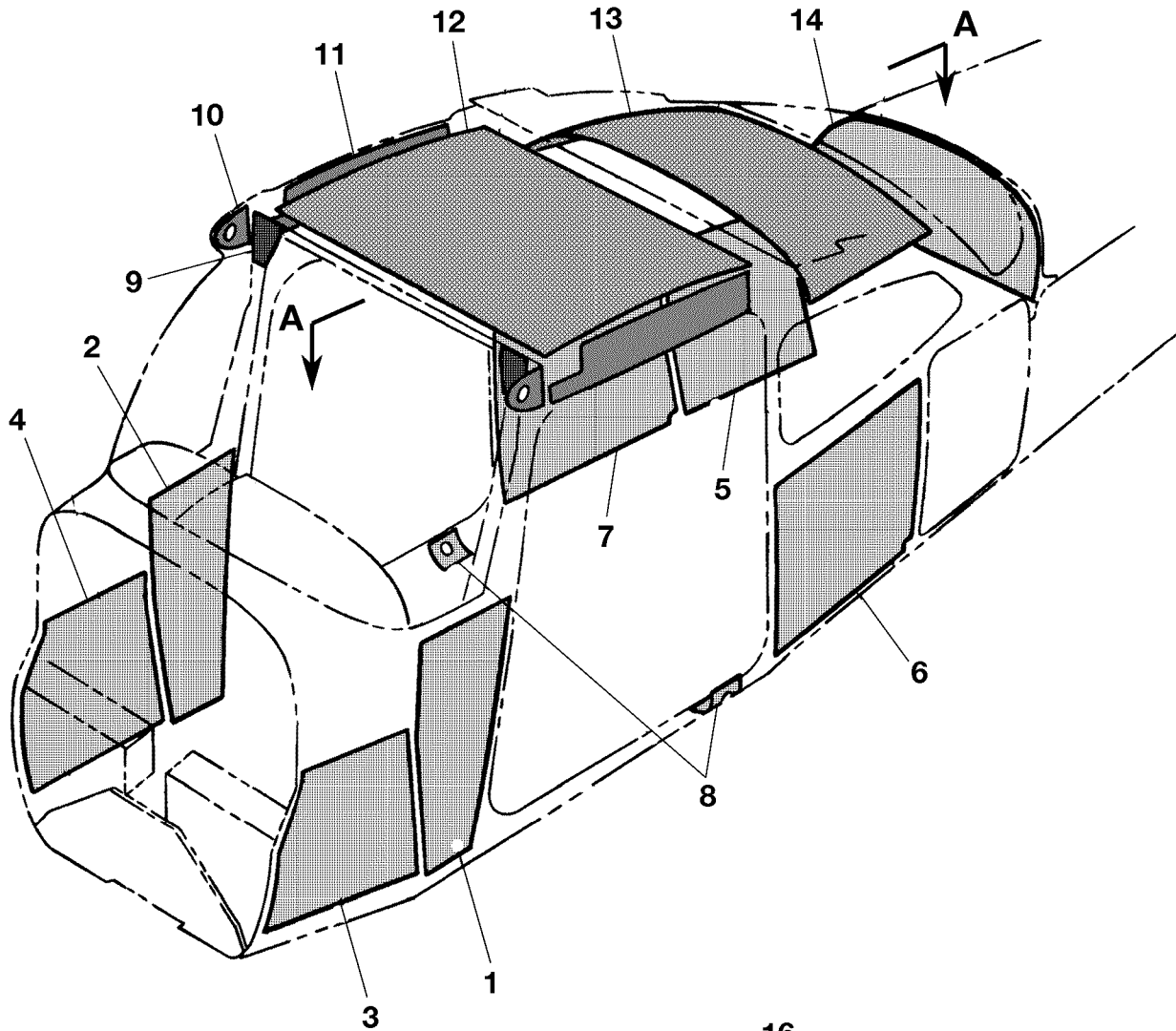
CESSNA AIRCRAFT COMPANY
MODEL 172 (SERIES 1996 AND ON)
 ILLUSTRATED PARTS CATALOG

FIG ITEM	PART NUMBER	1 2 3 4 5 6 7	NOMENCLATURE	UNITS
				PER ASSY
01				
150	P440032		.. PAD-REPLACES 0500834-41 FSO P440578	NP R
- 150A	P440578		.. . DAMPING MATERIAL	AR R
- 150B	P447012		.. . SOUND DAMPENING FOAM FOIL BACKD BKI	01 R
151	0500834-42		.. PAD	01
152	0500834-43		.. PAD	01
153	0500834-44		.. PAD	01
154	0500834-45		.. PAD	01
155	0500834-46		.. PAD	01
156	0500834-47		.. PAD	01
157	0500834-48		.. PAD	01
158	0500834-49		.. PAD	01
159	0500834-50		.. PAD	01
160	0500834-51		.. PAD	01
161	0500834-52		.. PAD	01
162	0500834-53		.. PAD	01
163	0500834-54		.. PAD	01
164	0500834-55		.. PAD	01

- ITEM NOT ILLUSTRATED

CESSNA AIRCRAFT COMPANY
MODEL 172 (SERIES 1996 AND ON)
ILLUSTRATED PARTS CATALOG

B269



VIEW A-A

INSULATION INSTALLATION
FIGURE 02 (SHEET 1)

0519R1030
AA0514R1071

CESSNA AIRCRAFT COMPANY
MODEL 172 (SERIES 1996 AND ON)
 ILLUSTRATED PARTS CATALOG

FIG ITEM	PART NUMBER	NOMENCLATURE	UNITS	
			PER	ASSY
02		INSULATION INSTALLATION		RF
-				
1	0500425-11	. BATT-KICK PANEL		02
2	0500425-12	. BATT-KICK PANEL		02
3	0500425-13	. BATT-FWD KICK PANEL		02
4	0500425-14	. BATT-FWD KICK PANEL		02
5	0500425-10	. BATT-AFT CABIN		02
6	0500425-16	. BATT-AFT CABIN		02
7	0500425-15	. BATT-AFT CABIN		02
8	0500279-8	. BATT-MLG OPENING		02
9	0500279-11	. BATT-FWD DOORPOST		02
10	2400002-7	. PANEL-LEADING EDGE ROOT RIB		02
11	0500279-9	. BATT-ROOT RIB		04
12	0500279-10	. BATT-CABIN TOP		02
13	0500279-12	. BATT-AFT CABIN TOP		02
14	0500279-7	. BATT-AFT CABIN		01
- 15	F441588	. . INSULATION-BKI		01
16	0500425-17	. FOAM-SPEAKER CLOSEOUT 172	81610 & ON	01 R
- 16A	0500425-17	. FOAM-SPEAKER CLOSEOUT 172S	11177 & ON	01 R

- ITEM NOT ILLUSTRATED

CHAPTER

26

FIRE PROTECTION

CESSNA AIRCRAFT COMPANY
MODEL 172 (SERIES 1996 AND ON)
ILLUSTRATED PARTS CATALOG

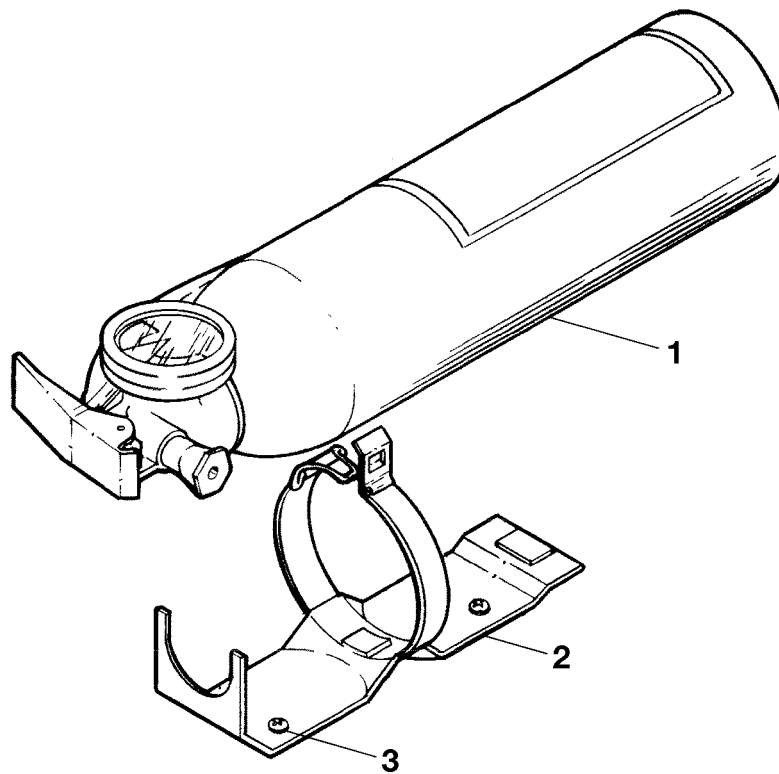
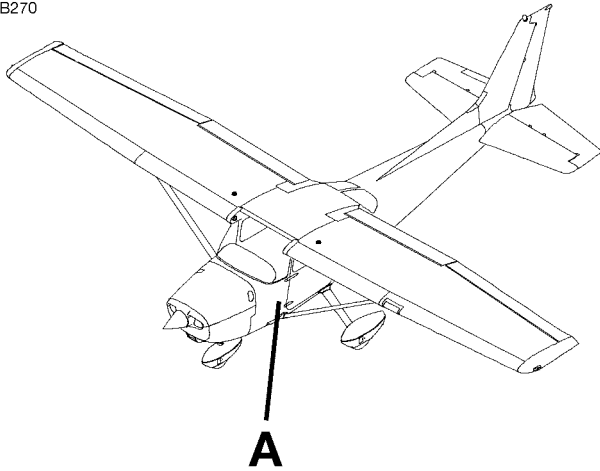
CHAPTER SECTION SUBJECT		NUMBER OF PAGES	DATE
26 - TITLE			
26 - LIST OF EFFECTIVE PAGES			
26 - RECORD OF TEMPORARY REVISIONS			
26 - TABLE OF CONTENTS			
26-10-00	Figure 01	2	Jul 1/2016

CESSNA AIRCRAFT COMPANY
MODEL 172 (SERIES 1996 AND ON)
ILLUSTRATED PARTS CATALOG

<u>SUBJECT</u>	<u>CHAPTER SECTION SUBJECT</u>	<u>FIGURE</u>	<u>EFFECTIVITY</u>	
			<u>START</u>	<u>END</u>
FIRE EXTINGUISHER INSTALLATION	26-10-00	01		

CESSNA AIRCRAFT COMPANY
MODEL 172 (SERIES 1996 AND ON)
ILLUSTRATED PARTS CATALOG

B270



DETAIL A
FLOORBOARD MOUNTED

FIRE EXTINGUISHER INSTALLATION
FIGURE 01 (SHEET 1)

0510T1007
A0514T1002

CESSNA AIRCRAFT COMPANY
MODEL 172 (SERIES 1996 AND ON)
 ILLUSTRATED PARTS CATALOG

FIG ITEM	PART NUMBER	1 2 3 4 5 6 7	NOMENCLATURE	UNITS PER ASSY		
01			FIRE EXTINGUISHER INSTALLATION			RF
-			. FIRE EXTINGUISHER 172	80001	& ON	01 R
- 1	C421001-0201		. FIRE EXTINGUISHER 172S	08001	11620	01 R
- 1A	C421001-0201		. FIRE EXTINGUISHER 172S	11621	& ON	01 R
- 1B	C352TS		. BRACKET ASSY 172	80001	& ON	01 R
- 2	1290010-1		. BRACKET ASSY 172S	08001	11620	01 R
- 2A	1290010-1		. BRACKET ASSY-FIRE EXTINGUISHER REPLACES 1290010-1 172S	11621	& ON	01 R
- 2B	06098		ATTACHING PARTS			
- 3	MS35207-263		. SCREW			04
- 4	MS21047L3		. NUTPLATE			04
			—*—			

- ITEM NOT ILLUSTRATED

CHAPTER

27

FLIGHT CONTROLS

CESSNA AIRCRAFT COMPANY
MODEL 172 (SERIES 1996 AND ON)
 ILLUSTRATED PARTS CATALOG

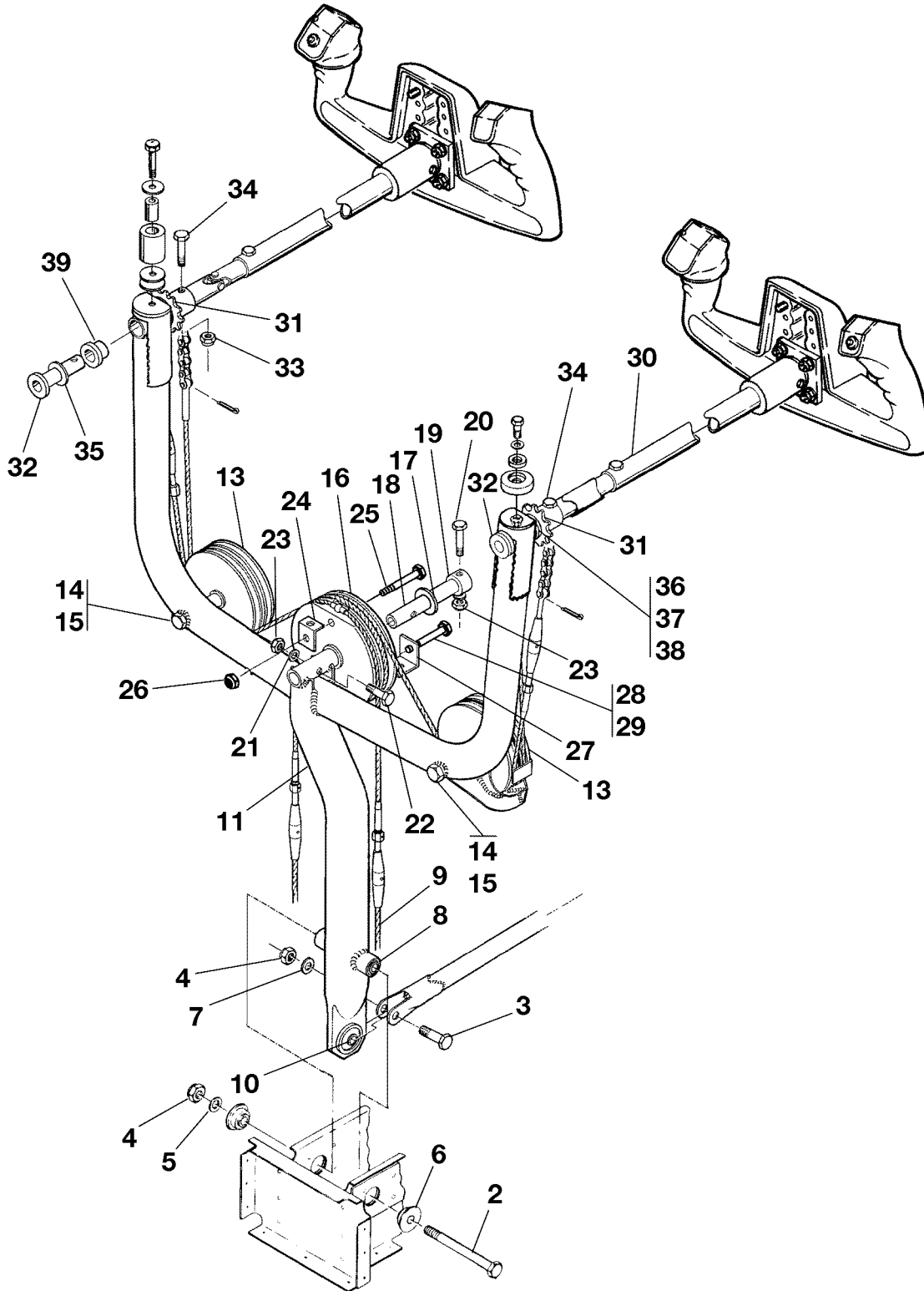
CHAPTER SECTION SUBJECT		NUMBER OF PAGES	DATE
27 - TITLE			
27 - LIST OF EFFECTIVE PAGES			
27 - RECORD OF TEMPORARY REVISIONS			
27 - TABLE OF CONTENTS			
27-10-00	Figure 01	4	Jul 1/2013
27-10-00	Figure 02	4	Jul 1/2010
27-10-00	Figure 02A	2	Dec 1/2007
27-10-00	Figure 03	6	Jul 1/2014
27-20-00	Figure 01	2	Jan 1/2012
27-21-00	Figure 01	4	Jul 1/2013
27-30-00	Figure 01	2	Jul 1/2013
27-30-01	Figure 01	4	Jan 1/2012
27-30-01	Figure 02	2	Jul 1/2015
27-31-00	Figure 01	2	Jul 1/2015
27-50-00	Figure 01	4	Jul 1/2016
27-50-00	Figure 02	4	Jul 1/2016
27-70-00	Figure 01	2	Dec 6/2004

CESSNA AIRCRAFT COMPANY
MODEL 172 (SERIES 1996 AND ON)
 ILLUSTRATED PARTS CATALOG

<u>SUBJECT</u>	<u>CHAPTER SECTION SUBJECT</u>	<u>FIGURE</u>	<u>EFFECTIVITY</u>	
			<u>START</u>	<u>END</u>
CONTROL YOKE INSTALLATION	27-10-00	01		
CONTROL WHEEL INSTALLATION	27-10-00	02		
CONTROL WHEEL WITH GFC700	27-10-00	02A	081497 010656	& ON & ON
AILERON CONTROL SYSTEM	27-10-00	03		
RUDDER CONTROL SYSTEM	27-20-00	01		
RUDDER PEDALS INSTALLATION	27-21-00	01		
ELEVATOR CONTROL SYSTEM	27-30-00	01		
ELEVATOR TRIM CONTROL SYSTEM	27-30-01	01		
ELEVATOR TRIM TAB ACTUATOR ASSEMBLY	27-30-01	02		
STALL WARNING HORN INSTALLATION	27-31-00	01		
FLAP CONTROLS INSTALLATION	27-50-00	01		
FLAP POSITION INDICATOR INSTALLATION	27-50-00	02		
CONTROL LOCK	27-70-00	01		

CESSNA AIRCRAFT COMPANY
MODEL 172 (SERIES 1996 AND ON)
ILLUSTRATED PARTS CATALOG

B275



CONTROL YOKE INSTALLATION
FIGURE 01 (SHEET 1)

2615R2008

CESSNA AIRCRAFT COMPANY
MODEL 172 (SERIES 1996 AND ON)
ILLUSTRATED PARTS CATALOG

FIG ITEM	PART NUMBER	NOMENCLATURE			UNITS PER ASSY
	1 2 3 4 5 6 7				
01		CONTROL YOKE INSTALLATION			RF
- 1	0560015-5	. CONTROL YOKE ASSY 172	80001	80891	01
- 1A	0560015-5	. CONTROL YOKE ASSY 172S	08001	08701	01
- 1B	0560015-6	. CONTROL YOKE ASSY 172	80892	& ON	01
- 1C	0560015-6	. CONTROL YOKE ASSY 172S	08702	& ON	01
- 1D	0560015-7	. CONTROL YOKE ASSY 172 NAV III	81241	& ON	01
- 1E	0560015-7	. CONTROL YOKE ASSY 172S NAV III	09810	& ON	01
		ATTACHING PARTS			
2	AN4-32A	. BOLT-REPLACES AN4-31A USE WITH 10172-015-5 BUSHING			01
3	AN4-10A	. BOLT			01
4	MS21042L4	. NUT REFER TO NOTE 2			02 R
5	NAS1149F0432P	. WASHER			02
6	10172-015-5	. BUSHING REFER TO NOTE 1			02 R
7	NAS1149F0463P	. WASHER			01 R
8	S2614-4-2	. BUSHING			01 R
		—*—			
9	S1997-6-10	. . BEARING FSO S1997-6H10 OR S1997-6G10			02 R
- 9A	S1997-6H10	. BEARING			02 R
- 9B	S1997-6G10	. BEARING			02 R
10	MS27645-4G	. BEARING			01 R
11	0560014-5	. YOKE ASSY			01 R
- 12	0560014-6	. YOKE ASSY NAV III			01 R
13	S378-4	. PULLEY			04 R
14	AN4-30A	. BOLT			02 R
15	MS21042L4	. NUT			02 R
16	0511783-1	. DRUM ASSY 172	80001	80981	01 R
- 16A	0511783-1	. DRUM ASSY 172S	08001	08701	01 R
- 16B	0511783-3	. DRUM ASSY 172	80982	& ON	01 R
- 16C	0511783-3	. DRUM ASSY 172S	08702	& ON	01 R
		ATTACHING PARTS			
17	NAS1149F0832P	. WASHER			02 R
18	0511784-1	. SHAFT			01 R
19	0511787-1	. RETAINER			01 R
20	AN3-11A	. BOLT			01 R
21	NAS1149F0363P	. WASHER			01 R
22	AN3-10A	. BOLT			01 R
23	MS21044N3	. NUT REFER TO NOTE 2			02 R
		—*—			
24	0511786-1	. CLAMP			01 R
		ATTACHING PARTS			
25	AN3-13A	. BOLT			01 R
26	MS21083N3	. NUT			01 R
		—*—			
27	0511786-2	. CLAMP 172	80001	80981	01 R
- 27A	0511786-2	. CLAMP 172S	08001	08701	01 R
- 27B	0511786-3	. CLAMP 172	80982	& ON	01 R
- 27C	0511786-3	. CLAMP 172S	08702	& ON	01 R
		ATTACHING PARTS			
28	AN3-12A	. BOLT			01 R
29	MS21083N3	. NUT			01 R
		—*—			
30	0411257-0	. JOINT-UNIVERSAL			02 R
31	0511785-1	. SPROCKET-CONTROL YOKE			02 R
		ATTACHING PARTS			
32	0511788-1	. SHAFT			01 R
33	MS21044N3	. NUT REFER TO NOTE 2			01 R
34	AN3-11A	. BOLT			01 R
35	MS20002C8	. WASHER			02 R
36	NAS1149F0832P	. WASHER			AR R
37	NAS1149D0816H	. WASHER			AR R
38	S1450-18B14-005	. WASHER			AR R
39	S1004-43A	. BEARING			02 R
		—*—			
- 40	AN970-3	. WASHER REFER TO NOTE 2			AR R
- 41	MS21042L3	. NUT REFER TO NOTE 2			02 R
- 42	0513089-3	. SUPPORT ASSY			AR R
- 42A	0513089-203	. SUPPORT ASSY (SPARES) REFER TO NOTE 2			AR R

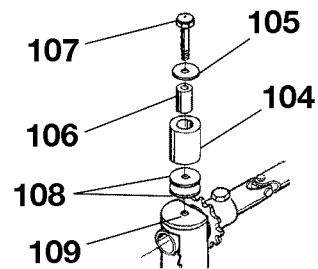
NOTE 1—AIRPLANES INCORPORATING SB98-27-07 MK172-27-01

NOTE 2—AIRPLANES 17281151 THRU 17281354 AND AIRPLANES 172S9327 THRU 172S10431 INCORPORATING SB11-53-01

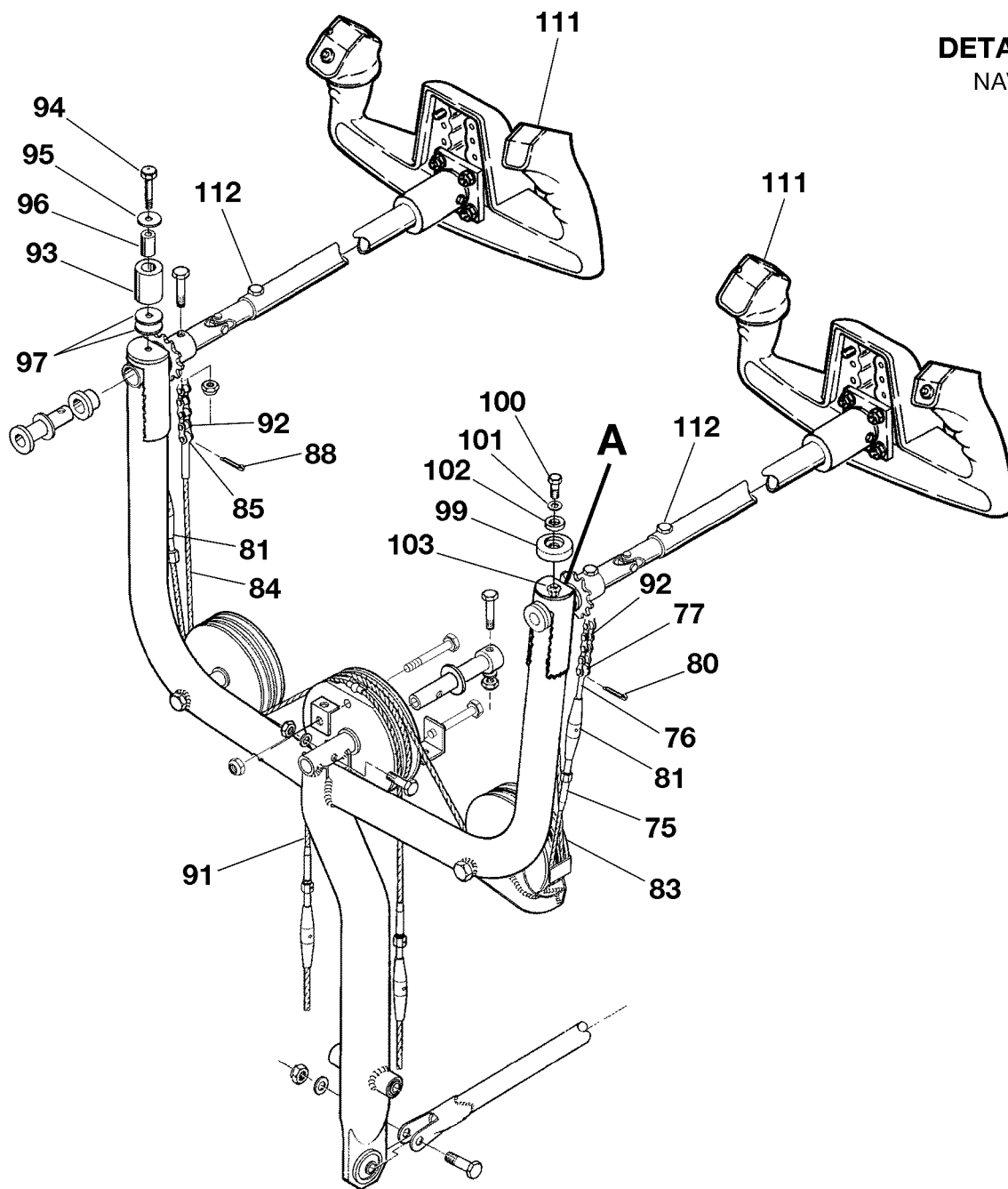
R

CESSNA AIRCRAFT COMPANY
MODEL 172 (SERIES 1996 AND ON)
ILLUSTRATED PARTS CATALOG

B276



DETAIL A
NAV III



CONTROL YOKE INSTALLATION
FIGURE 01 (SHEET 2)

0560T1001
2615T2008

CESSNA AIRCRAFT COMPANY
MODEL 172 (SERIES 1996 AND ON)
ILLUSTRATED PARTS CATALOG

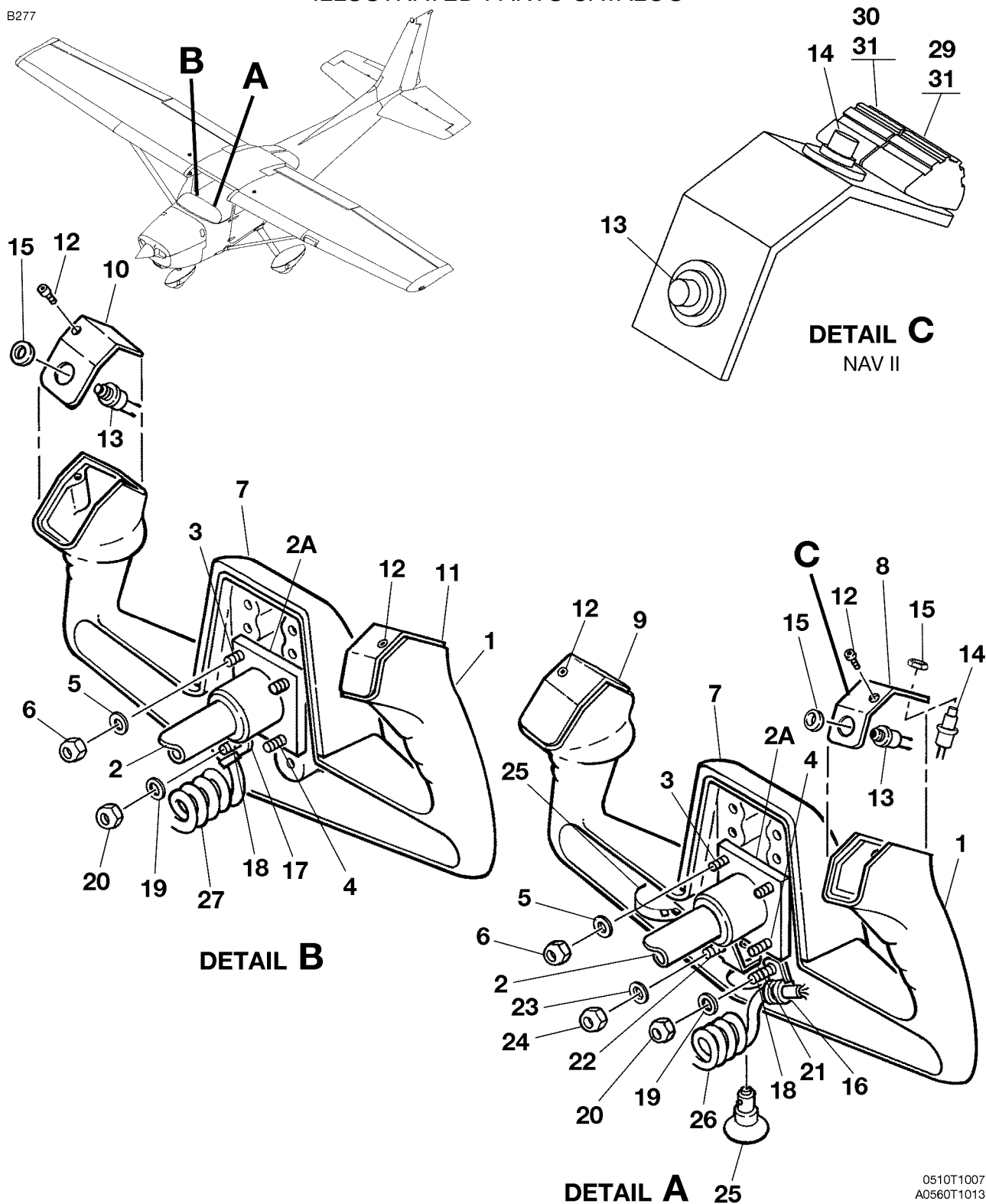
FIG ITEM	PART NUMBER	NOMENCLATURE	UNITS PER ASSY
	1 2 3 4 5 6 7		
01			
75	0510105-341	. . CABLE ASSY STAINLESS-CONTROL YOKE ATTACHING PARTS	01
76	CM2662-35LH	. . TERMINAL	02
77	AN21-10	. . BOLT	02
- 78	NAS1149DN616K	. . WASHER	02
- 79	AN320-1	. . NUT	02
80	MS24665-5	. . COTTER PIN	02
81	MS21251-B5S	. . BARREL —*—	02
- 82	MS21256-1	. . CLIP REFER TO NOTE 1	02 R
83	0510105-343	. . CABLE ASSY STAINLESS STEEL	01 R
84	0510105-342	. . CABLE ASSY STAINLESS STEEL ATTACHING PARTS	01 R
85	AN21-10	. . BOLT	01 R
- 86	NAS1149DN616K	. . WASHER	01 R
- 87	AN320-1	. . NUT	01 R
88	MS24665-5	. . COTTER PIN	01 R
- 89	MS21251-B5S	. . BARREL —*—	01 R
- 90	MS21256-1	. . CLIP REFER TO NOTE 1	02 R
91	0510105-344	. . CABLE ASSY STAINLESS STEEL	01 R
92	0413372-5	. . CHAIN	02 R
93	N6-2	. . BEARING-RH ONLY V08863 ATTACHING PARTS	01 R
94	AN4-11A	. . BOLT	01 R
95	NAS1149D0416H	. . WASHER	01 R
96	0513414-1	. . BUSHING	01 R
97	NAS1149D0463K	. . WASHER	02 R
- 98	MS21042L4	. . NUT —*—	01 R
99	2460035-2	. . ROLLER-CONTROL YOKE LH ONLY ATTACHING PARTS	01 R
100	AN3-3A	. . BOLT	01 R
- 100A	AN3-4A	. . BOLT REFER TO NOTE 1	01 R
101	NAS1149D0316K	. . WASHER	01 R
102	NAS43DD3-10FC	. . SPACER	01 R
- 102A	NAS43DD3-9FC	. . SPACER REFER TO NOTE 1	01 R
103	MS21042L3	. . NUT —*—	01 R
104	N6-2	. . BEARING 172 NAV III	81241 & ON 01 R
- 104A	N6-2	. . BEARING 172S NAV III ATTACHING PARTS	09810 & ON 01 R
105	NAS1149D0416H	. . WASHER 172 NAV III	81241 & ON 01 R
- 105A	NAS1149D0416H	. . WASHER 172S NAV III	09810 & ON 01 R
106	0513414-1	. . BUSHING 172 NAV III	81241 & ON 01 R
- 106A	0513414-1	. . BUSHING 172S NAV III	09810 & ON 01 R
107	AN4-11	. . BOLT 172 NAV III	81241 & ON 01 R
- 107A	AN4-11	. . BOLT 172S NAV III	09810 & ON 01 R
108	NAS1149D0463K	. . WASHER 172 NAV III	81241 & ON 02 R
- 108A	NAS1149D0463K	. . WASHER 172S NAV III	09810 & ON 02 R
109	MS21042L4	. . NUT 172 NAV III	81241 & ON 01 R
- 109A	MS21042L4	. . NUT 172S NAV III —*—	09810 & ON 01 R
- 110	S1495-10	. . HOSE BK11.12 IN LG	02 R
111		. . CONTROL WHEEL ASSY REFER TO 27-10-00 FIGURE 02 ATTACHING PARTS	RF R
112	AN3-10A	. . BOLT	01 R
- 113	MS21044N3	. . NUT —*—	01 R
- 114		. . CONTROL LOCK REFER TO 27-70-00 FIGURE 01	RF R
- 115		. . AILERON REFER TO 27-10-00 FIGURE 03	RF R
- 116		. . ELEVATOR CONTROL REFER TO 27-30-00 FIGURE 01	RF R
- 117		. . CONTROL WHEEL REFER TO 27-10-00 FIGURE 02	RF R

NOTE 1—AIRPLANES 17281151 THRU 17281354 AND AIRPLANES 172S9327 THRU 172S10431 INCORPORATING SB11-53-01

R

CESSNA AIRCRAFT COMPANY
MODEL 172 (SERIES 1996 AND ON)
 ILLUSTRATED PARTS CATALOG

B277



CONTROL WHEEL INSTALLATION
 FIGURE 02 (SHEET 1)

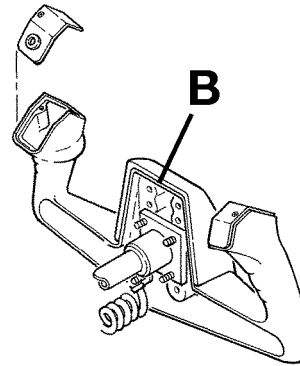
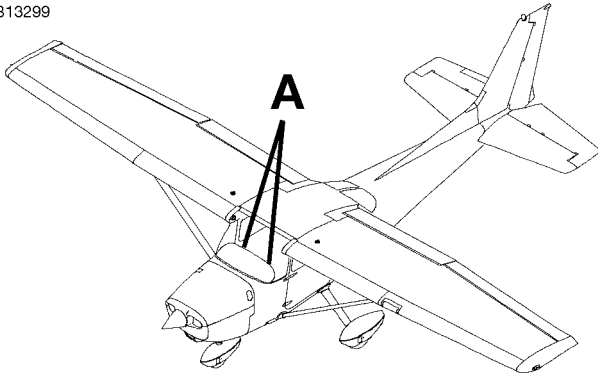
0510T1007
 A0560T1013
 B0560T1014
 C2614T1185
 D0514T1029

CESSNA AIRCRAFT COMPANY
MODEL 172 (SERIES 1996 AND ON)
ILLUSTRATED PARTS CATALOG

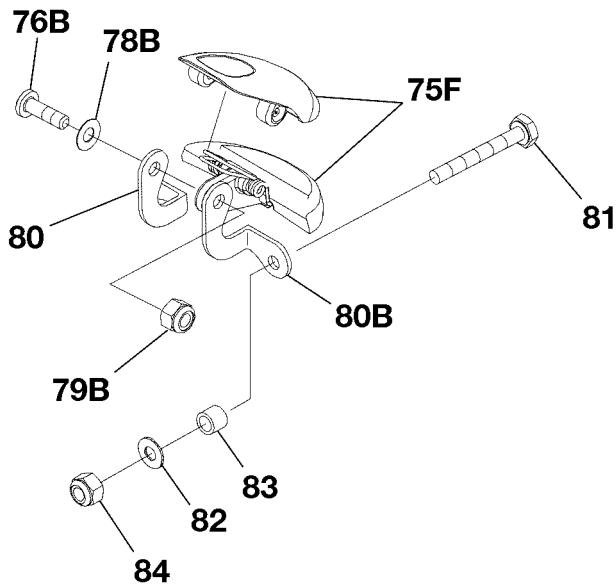
FIG ITEM	PART NUMBER	NOMENCLATURE	UNITS PER ASSY	
		1 2 3 4 5 6 7		
02		CONTROL WHEEL INSTALLATION		RF
- 1	1560023-3	. CONTROL WHEEL-LH AND RH		02
2	0560059-5	. CONTROL TUBE ASSY-LH AND RH		02
2A	0760017-6	. . ADAPTER		01
3	AN3-14A	. BOLT-CONTROL TUBE ATTACH		02
4	AN3-15A	. BOLT-CONTROL TUBE ATTACH		02
5	NAS1149F0332P	. WASHER-CONTROL TUBE ATTACH		04
6	MS21044N3	. NUT-CONTROL TUBE ATTACH		04
7	1560025-3	. PAD-LH AND RH 172	80001 80983	02
- 7A	1560025-3	. PAD-LH AND RH 172S	08001 08703	02
- 7B	1560025-5	. PAD-LH AND RH 172	80984 81142	02
- 7C	1560025-5	. PAD-LH AND RH 172S	08704 09288	02
- 7D	0719082-1	. UPHOLSTERY EMBLEM PLATE ASSY-LH AND RH 172	81143 & ON	02
- 7E	0719082-1	. UPHOLSTERY EMBLEM PLATE ASSY-LH AND RH 172S	09289 & ON	02
- 7F	0719082-2	. . PAD		01
- 7G	MS24693-S2	. SCREW-UPHOL EMBLEM PLATE ATTACH		02
8	1560024-21	. ESCUTCHEON-LH MIC/LH GRIP		01
- 8A	1560024-22	. ESCUTCHEON-LH MIC & AUTOPILOT/LH GRIP WITHOUT TRIM 172	80001 80983	01
- 8B	1560024-22	. ESCUTCHEON-LH MIC & AUTOPILOT/LH GRIP WITHOUT TRIM 172S	08001 08703	01
- 8C	1560024-24	. ESCUTCHEON-LH MIC & AUTOPILOT/LH GRIP 172 WITH TRIM	80831 & ON	01
- 8D	1560024-24	. ESCUTCHEON-LH MIC & AUTOPILOT/LH GRIP 172S WITH TRIM	08348 & ON	01
9	1560024-20	. ESCUTCHEON-LH/RH GRIP		01
10	1560024-17	. ESCUTCHEON-RH MIC/RH GRIP		01
11	1560024-1	. ESCUTCHEON-RH/LH GRIP		01
12	NAS1352-02-8	. SCREW-ESCUTCHEON ATTACH		01
13	S2870-1	. SWITCH-MIC		02
14	S2870-4	. SWITCH-AUTO PILOT DISCONNECT		01
15	S2870-2	. DECORATIVE NUT-SWITCH ATTACH		01
16	MS21919WDG3	. CLAMP-LH		01
17	S1155-2	. CLAMP-RH		01
18	AN3-15A	. BOLT-CLAMP ATTACH		01
19	NAS1149F0332P	. WASHER-CLAMP ATTACH		01
20	MS21044N3	. NUT-CLAMP ATTACH		01
21	1270843-2	. BRACKET-LH		01
22	AN3-15A	. BOLT-BRACKET ATTACH		01
23	NAS1149F0332P	. WASHER-BRACKET ATTACH		01
24	MS21044N3	. NUT-BRACKET ATTACH		01
25		. CONTROL WHEEL MAPLIGHT REFER TO 33-10-00 FIGURE 02		RF
26	S3333-1	. CABLE ASSY-LH		01
- 26A	S3333-2	. CABLE ASSY-LH NAV II OR III 172	80831 & ON	01
- 26B	S3333-2	. CABLE ASSY-LH NAV II OR III 172S	08348 & ON	01
27	S3333-3	. CABLE ASSY-RH		01
- 28	MS35489-144	. GROMMET		02
29	7105P4YZQE	. SWITCH S4 172 WITH TRIM	80831 & ON	01
- 29A	7105P4YZQE	. SWITCH S4 172S WITH TRIM	08348 & ON	01
30	7105P4YZQE	. SWITCH S43 172 WITH TRIM	80831 & ON	01
- 30A	7105P4YZQE	. SWITCH S43 172S WITH TRIM	08348 & ON	01
31	S2515-1	. KNOB 172 WITH TRIM	80831 & ON	02
- 31A	S2515-1	. KNOB 172S WITH TRIM	08348 & ON	02
- 32	AN565D2H3	. SET SCREW-KNOB & SWITCH ATTACH		02
- 33	7537	. LOCKING RING-KNOB & SWITCH ATTACH		02
- 34	S1155-2	. CLAMP-RH SECURES CABLE TO SUPPORT STRUCTURE ON FWD SIDE OF INSTRUMENT PANEL		01
- 35	MS21919WDG4	. CLAMP-LH SECURES CABLE TO SUPPORT STRUCTURE ON FWD SIDE OF INSTRUMENT PANEL		01
- 36	MS24693-S271	. SCREW-LH AND RH ATTACHES CLAMP		01
- 37	MS35333-39	. LOCK WASHER-LH AND RH ATTACHES CLAMP		01
- 38	AN315C3R	. NUT-LH AND RH ATTACHES CLAMP		01

CESSNA AIRCRAFT COMPANY
MODEL 172 (SERIES 1996 AND ON)
ILLUSTRATED PARTS CATALOG

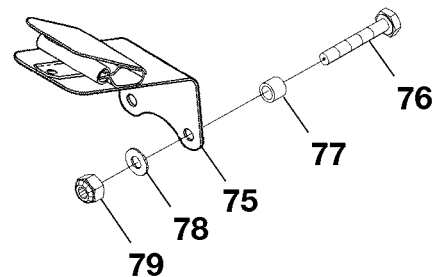
B13299



DETAIL A



DETAIL B



DETAIL B

CONTROL WHEEL INSTALLATION
FIGURE 02 (SHEET 2)

0510T1007
A0715T1002
B0519T114

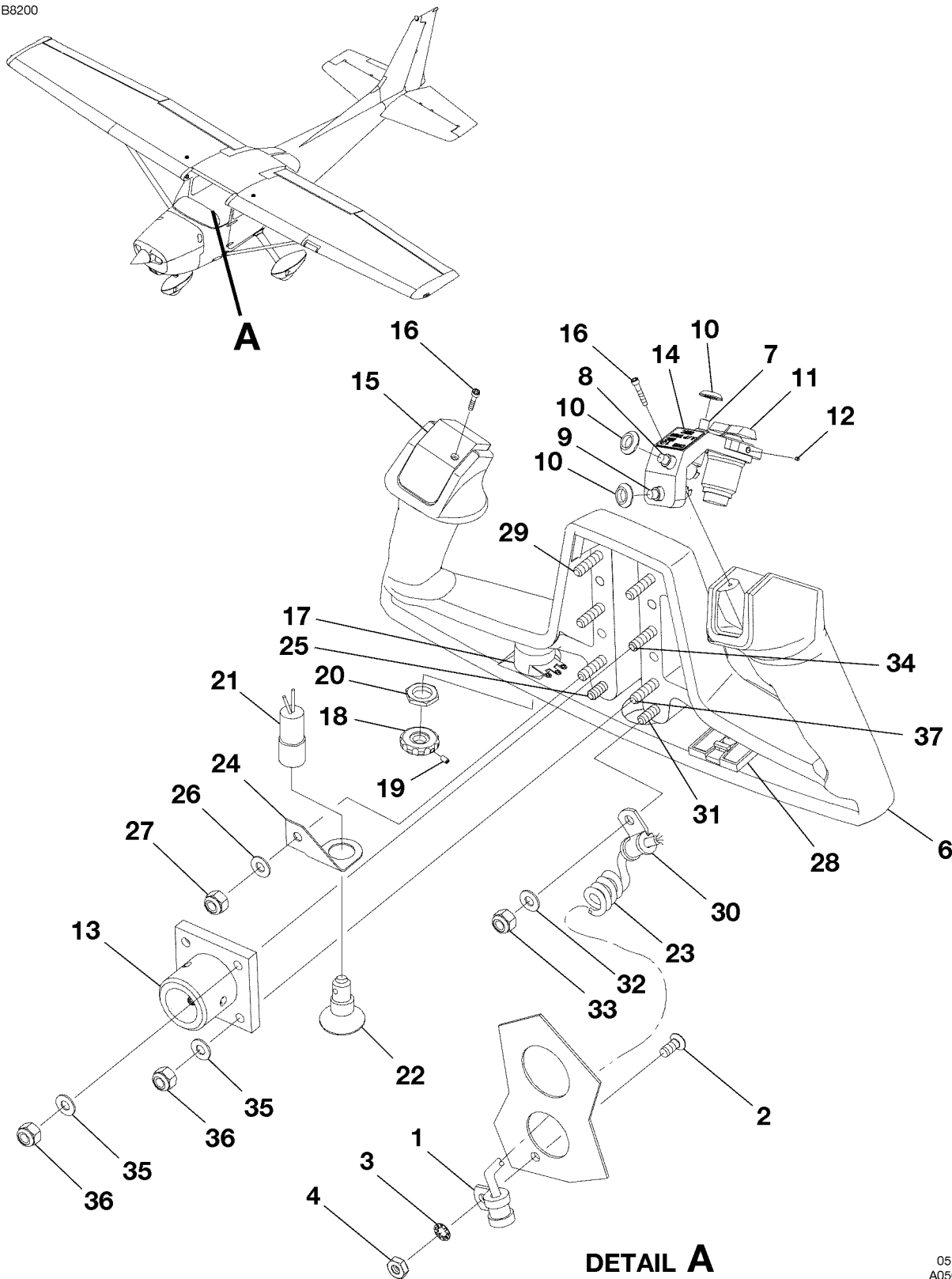
CESSNA AIRCRAFT COMPANY
MODEL 172 (SERIES 1996 AND ON)
ILLUSTRATED PARTS CATALOG

FIG ITEM	PART NUMBER	NOMENCLATURE	UNITS		
			1	2	PER ASSY
02					
75	0715083-2	. HOLDER ASSY-APPROACH PLATE 172	80001	81343	02
- 75A	0715083-2	. HOLDER ASSY-APPROACH PLATE 172S	08001	10308	02
- 75B	2619012-1	. HOLDER ASSY-APPROACH PLATE 172 FSO 0519107-200	81344	81544	NP R
- 75C	2619012-1	. HOLDER ASSY-APPROACH PLATE 172S FSO 0519107-200	10309	10885	NP R
- 75D	0519107-200	. CHART CLIP ASSEMBLY-SPECIAL SPARE 172	81344	81544	02
- 75E	0519107-200	. CHART CLIP ASSEMBLY-SPECIAL SPARE 172S	10309	81544	02
75F	0519114-1	. MAP CLIP ASSY 172	81545	& ON	02
- 75G	0519114-1	. MAP CLIP ASSY 172S	10886	& ON	02
		ATTACHING PARTS			
76	NAS464P3-13	. BOLT 172	80001	81343	02
- 76A	NAS464P3-13	. BOLT 172S	08001	10308	02
76B	MS27039-1-10	. SCREW 172 REFER TO NOTE 1	81344	& ON	01
- 76C	MS27039-1-10	. SCREW 172S	10309	& ON	01
77	NAS43DD3-14FC	. SPACER 172	80001	81343	02
- 77A	NAS43DD3-14FC	. SPACER 172S	08001	10308	02
- 77B	NAS43DD3-14N	. SPACER ALT FOR NAS43DD3-14FC			02
78	NAS1149D0316H	. WASHER 172	80001	81343	02
- 78A	NAS1149D0316H	. WASHER 172S	08001	10308	02
78B	NAS1149F0316P	. WASHER 172 REFER TO NOTE 1	81344	& ON	01
- 78C	NAS1149F0316P	. WASHER 172S	10309	& ON	01
79	MS21044N3	. NUT 172 REFER TO NOTE 1	80001	81343	02
- 79A	MS21044N3	. NUT 172S	08001	10308	02
79B	MS21044N3	. NUT 172	81344	& ON	01
- 79C	MS21044N3	. NUT 172S	10309	& ON	01
		—*—			
80	0519106-1	. BRACKET-LH MAP CLIP 172 REFER TO NOTE 1	81344	& ON	01
- 80A	0519106-1	. BRACKET-LH MAP CLIP 172S REFER TO NOTE 1	10309	& ON	01
80B	0519106-2	. BRACKET-RH MAP CLIP 172 REFER TO NOTE 1	81344	& ON	01
- 80C	0519106-2	. BRACKET-RH MAP CLIP 172S REFER TO NOTE 1	10309	& ON	01
		ATTACHING PARTS			
81	AN3-12A	. BOLT 172	81344	& ON	02
- 81A	AN3-12A	. BOLT 172S	10309	& ON	02
82	NAS1149F0332P	. WASHER 172	81344	& ON	02
- 82A	NAS1149F0332P	. WASHER 172S	10309	& ON	02
83	NAS43DD3-13N	. SPACER 172	81344	& ON	02
- 83A	NAS43DD3-13N	. SPACER 172S	10309	& ON	02
84	MS21044N3	. NUT 172	81344	& ON	02
- 84A	MS21044N3	. NUT 172S	10309	& ON	02
		—*—			

NOTE 1—COMPONENT OF 0519107-200 SPECIAL SPARE

CESSNA AIRCRAFT COMPANY
MODEL 172 (SERIES 1996 AND ON)
 ILLUSTRATED PARTS CATALOG

B8200



DETAIL A

CONTROL WHEEL WITH GFC700
 FIGURE 02A (SHEET 1)

0510T1007
 A0560T1031

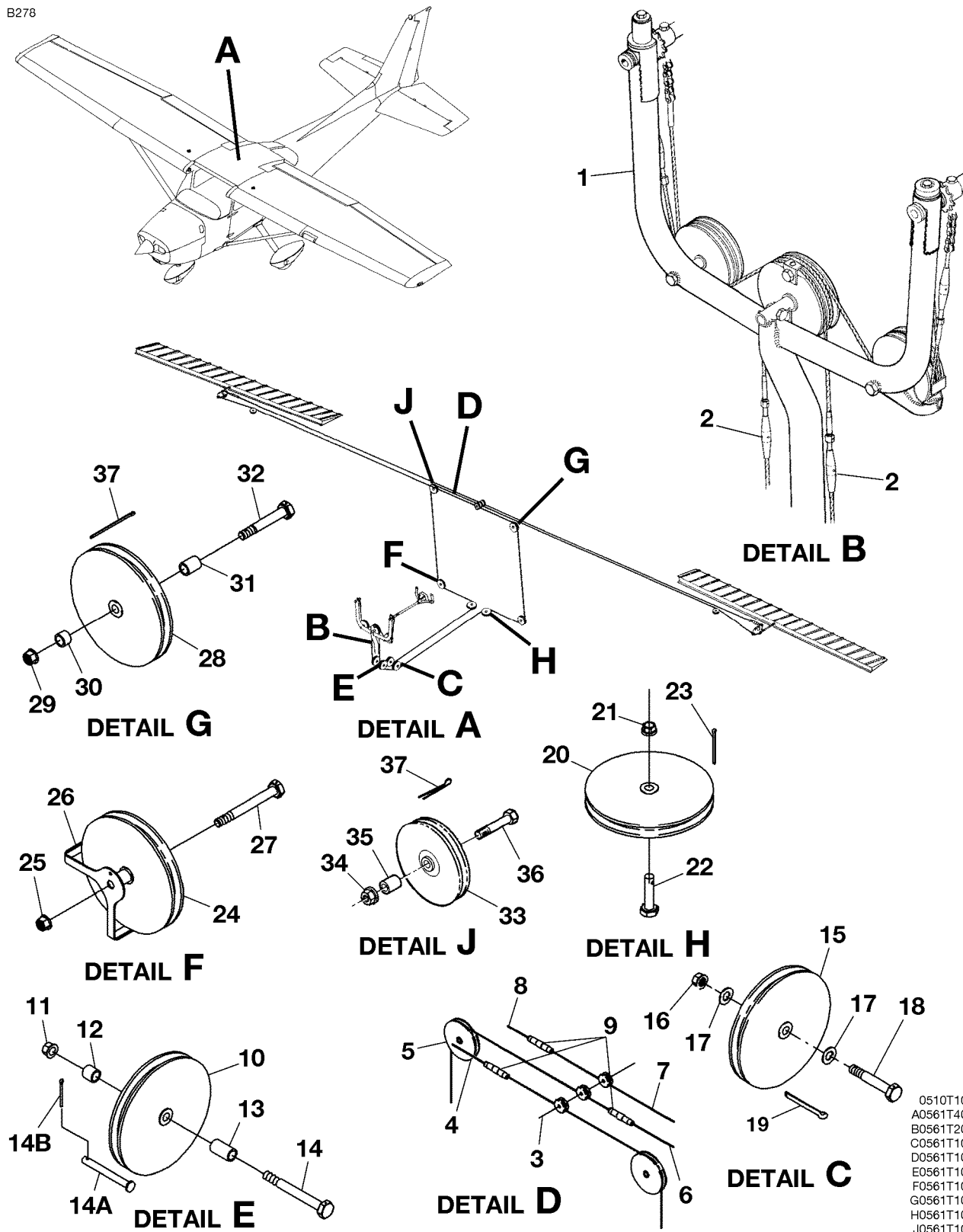
CESSNA AIRCRAFT COMPANY
MODEL 172 (SERIES 1996 AND ON)
 ILLUSTRATED PARTS CATALOG

FIG ITEM	PART NUMBER	NOMENCLATURE	UNITS	
			PER	ASSY
		1 2 3 4 5 6 7		
02A				
-		CONTROL WHEEL WITH GFC700	081497 & ON	RF R
			010656 & ON	
1	MS21919WDG4	. CLAMP		01 R
		. ATTACHING PARTS		
2	MS24693-S271	. SCREW		01 R
3	MS35333-39	. LOCKWASHER		01 R
4	AN315C3R	. NUT		01 R
		—*—		
- 5	0760151-2	. CONTROL WHEEL ASSY		01 R
6	0760154-2	. CONTROL WHEEL - LH		01 R
7	S2870-4	. SWITCH (S2)-A/P DISCONNECT		01 R
8	S2870-1	. SWITCH (S3)-CONTROL WHEEL STEERING		01 R
9	S2870-1	. SWITCH (S1)-PUSH TO TALK		01 R
		. ATTACHING PARTS		
10	S2870-2	. DECORATIVE NUT		01 R
		—*—		
11	309-4318	. ROCKER SWITCH-ELECTRIC TRIM		01 R
		. ATTACHING PARTS		
12	AN565D4H3	. SET SCREW		01 R
		—*—		
13	0760017-4	. ADAPTER ASSY		01 R
14	0760152-3	. ESCUTCHEON ASSY		01 R
- 14A	0760152-4	. ESCUTCHEON		01 R
- 14B	CJ1082	. ESCUTCHEON LABEL	V0SX36	01 R
15	1560024-20	. ESCUTCHEON-RH		01 R
		. ATTACHING PARTS		
16	NAS1352-02-8	. SCREW		01 R
		—*—		
17	S2619-1	. POTENTIOMETER (R1)		01 R
18	1270483-2	. KNOB ASSY		01 R
		. ATTACHING PARTS		
19	AN565B2H3	. SETSCREW		01 R
20	MS25082-20	. NUT		01 R
		—*—		
21	S2521-1	. SOCKET (L1)		01 R
22	28RB	. LAMP (L1)		01 R
23	S3333-2	. CABLE		01 R
24	1270843-2	. BRACKET		01 R
		. ATTACHING PARTS		
25	AN3-15A	. BOLT		01 R
26	NAS1149F0332P	. WASHER		01 R
27	MS21044N3	. NUT		01 R
		—*—		
28	S2606-2	. MOUNT		01 R
29		. HOLDER REFER TO 27-10-00 FIGURE 02		RF R
30	MS21919WDG3	. CLAMP		01 R
		. ATTACHING PARTS		
31	AN3-15A	. BOLT		01 R
32	NAS1149F0332P	. WASHER		01 R
33	MS21044N3	. NUT		01 R
		—*—		
34	AN3-15A	. BOLT		02 R
35	NAS1149F0332P	. WASHER		04 R
36	MS21044N3	. NUT		04 R
37	AN3-16A	. BOLT		02 R

- ITEM NOT ILLUSTRATED

CESSNA AIRCRAFT COMPANY
MODEL 172 (SERIES 1996 AND ON)
 ILLUSTRATED PARTS CATALOG

B278



AILERON CONTROL SYSTEM
 FIGURE 03 (SHEET 1)

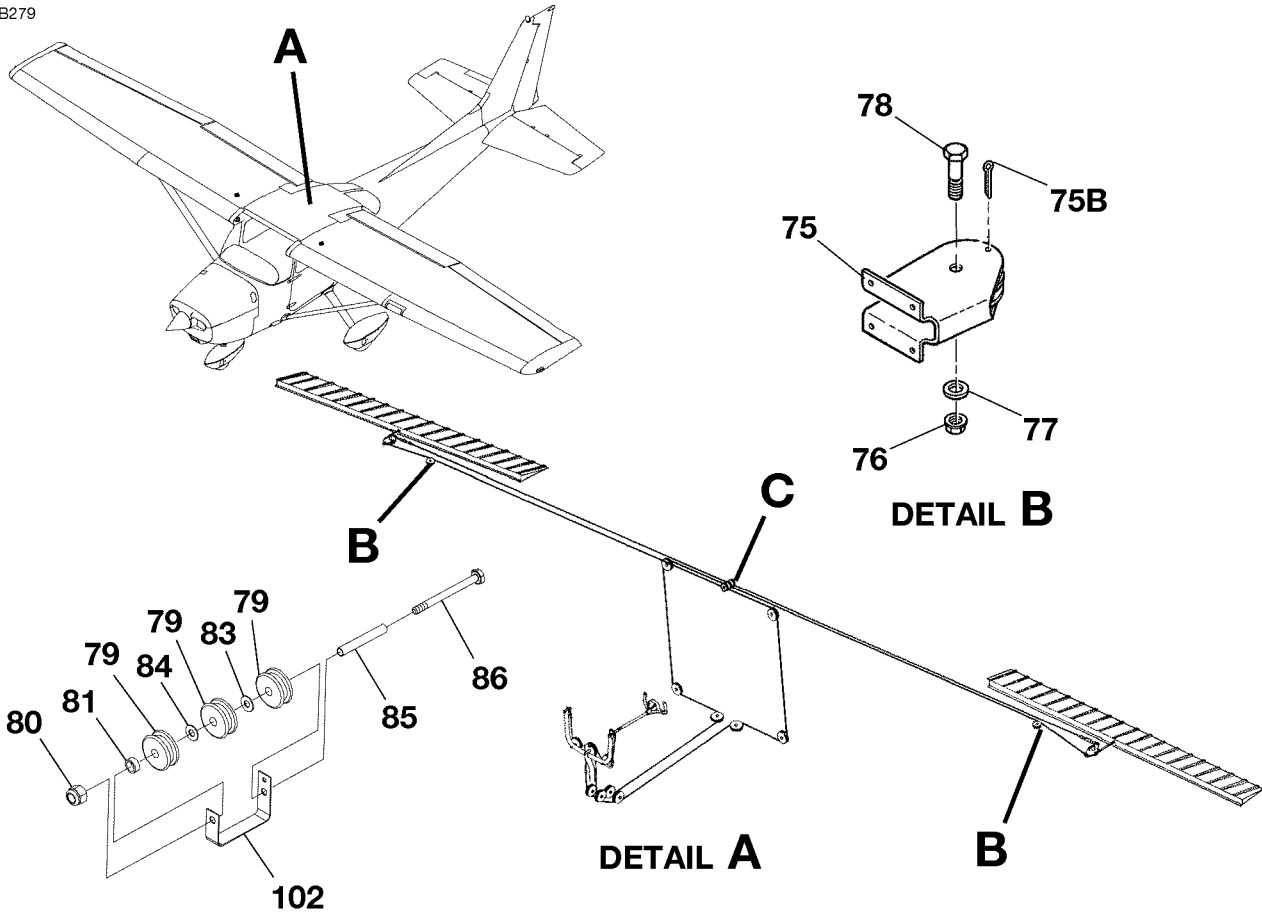
CESSNA AIRCRAFT COMPANY
MODEL 172 (SERIES 1996 AND ON)
ILLUSTRATED PARTS CATALOG

FIG ITEM	PART NUMBER	NOMENCLATURE	UNITS	
			PER	ASSY
03		AILERON CONTROL SYSTEM		
-		. CONTROL COLUMN ASSY REFER TO 27-10-00 FIGURE 01		RF
1		. TURNBUCKLE BARREL		RF
2	AN155B32S	. CABLE ASSY-AILERON DIRECT LH STAINLESS REFER TO NOTE 1		02
3	0510105-360	. CABLE ASSY-AILERON DIRECT LH CARBON REFER TO NOTE 1		01
- 3A	0510105-260	. CABLE ASSY-AILERON DIRECT RH STAINLESS REFER TO NOTE 1		01
4	0510105-362	. CABLE ASSY-AILERON DIRECT STAINLESS REFER TO NOTE 1		01
- 4A	0510105-262	. CABLE ASSY-AILERON DIRECT CARBON REFER TO NOTE 1		01
5	0510105-360	. CABLE ASSY-AILERON DIRECT RH STAINLESS REFER TO NOTE 1		01
- 5A	0510105-260	. CABLE ASSY-AILERON DIRECT RH CARBON REFER TO NOTE 1		01
6	0510105-362	. CABLE ASSY-AILERON DIRECT STAINLESS REFER TO NOTE 1		01
- 6A	0510105-262	. CABLE ASSY-AILERON DIRECT CARBON REFER TO NOTE 1		01
7	0510105-364	. CABLE ASSY-AILERON CROSSOVER STAINLESS REFER TO NOTE 1		01
- 7A	0510105-264	. CABLE ASSY-AILERON CROSSOVER CARBON REFER TO NOTE 1		01
8	0510105-365	. CABLE ASSY-AILERON CROSSOVER STAINLESS REFER TO NOTE 1		01
- 8A	0510105-265	. CABLE ASSY-AILERON CROSSOVER CARBON REFER TO NOTE 1		01
9	AN155-32S	. TURNBUCKLE BARREL		03
10	S378-4	. PULLEY		02
		ATTACHING PARTS		
11	MS21042L4	. NUT		01
12	NAS43HT4-22	. SPACER		01
13	NAS43HT4-43	. SPACER		01
14	AN4-21A	. BOLT		01
14A	MS20392-1C57	. PIN		02
14B	MS24665-132	. COTTER PIN		02
		—*—		
15	S378-4	. PULLEY		02
		ATTACHING PARTS		
16	MS21044N4	. NUT		01
17	NAS1149F0416P	. WASHER		02
18	AN4-14A	. BOLT		01
		—*—		
- 19	MS24665-355	. COTTER PIN		02
20	S378-4	. PULLEY		02
		ATTACHING PARTS		
21	MS21042L4	. NUT		01
22	AN4-10A	. BOLT		01
		—*—		
23	MS24665-136	. COTTER PIN		02
24	S378-4	. PULLEY		02
		ATTACHING PARTS		
25	MS21042L4	. NUT		01
26	0512135-0	. GUARD ASSY 172	80001 81436	01
- 26A	0512135-0	. GUARD ASSY 172S	08001 10554	01
- 26B	0512135-3	. GUARD ASSY 172	81437 & ON	01
- 26C	0512135-3	. GUARD ASSY 172S	10555 & ON	01
27	AN4-21A	. BOLT		01
		—*—		
28	S378-4	. PULLEY		01
		ATTACHING PARTS		
29	MS21042L4	. NUT		01
30	NAS43HT4-16	. SPACER		04
31	NAS43HT4-28	. SPACER		01
32	AN4-15A	. BOLT		01
		—*—		
33	S378-4	. PULLEY		01
		ATTACHING PARTS		
34	MS21042L4	. NUT		01
35	NAS43HT4-46	. SPACER		01
36	AN4-15A	. BOLT		01
		—*—		
37	MS24665-140	. COTTER PIN		04

NOTE 1—CARBON STEEL AND STAINLESS STEEL CABLES CAN NOT BE USED TOGETHER

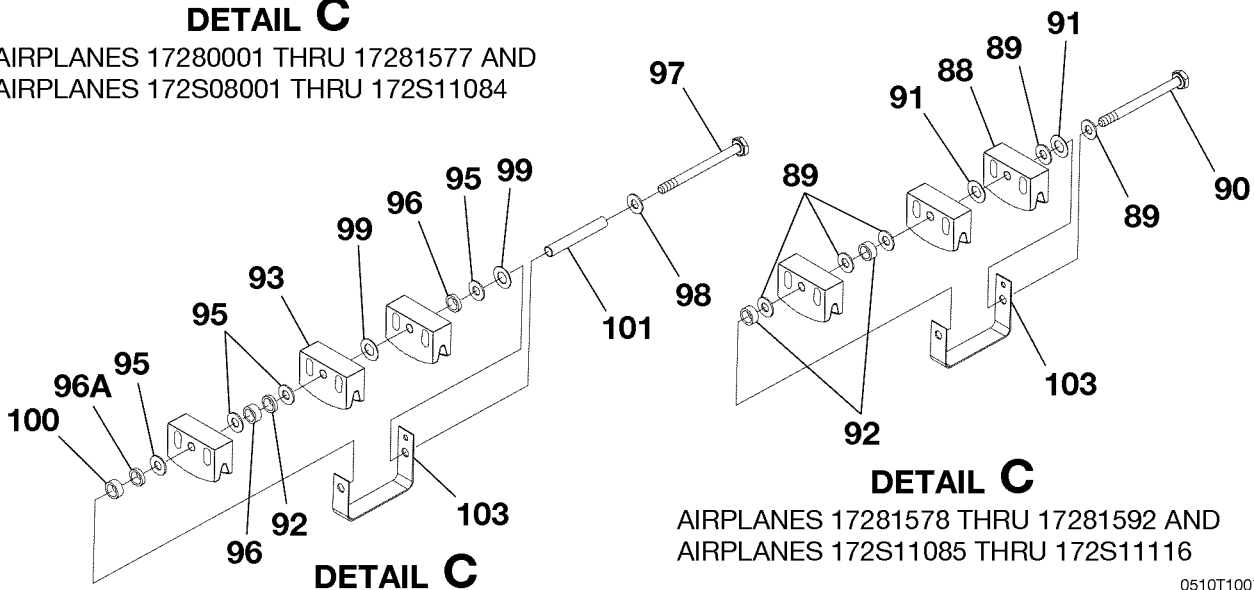
CESSNA AIRCRAFT COMPANY
MODEL 172 (SERIES 1996 AND ON)
 ILLUSTRATED PARTS CATALOG

B279



DETAIL C

AIRPLANES 17280001 THRU 17281577 AND
 AIRPLANES 172S08001 THRU 172S11084



AIRPLANES 17281593 AND ON
 AIRPLANES 172S11117 AND ON

AIRPLANES 17281578 THRU 17281592 AND
 AIRPLANES 172S11085 THRU 172S11116

0510T1007
 A0561T4001
 B0561T1004
 C0561T1012
 C0561T1012
 C0561T1012

AILERON CONTROL SYSTEM
 FIGURE 03 (SHEET 2)

CESSNA AIRCRAFT COMPANY
MODEL 172 (SERIES 1996 AND ON)
ILLUSTRATED PARTS CATALOG

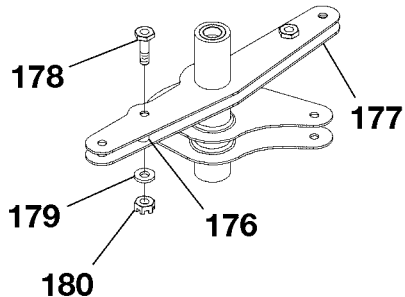
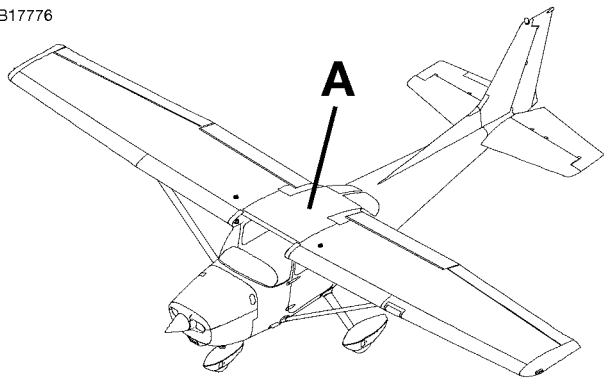
FIG ITEM	PART NUMBER	NOMENCLATURE	UNITS	
			PER	ASSY
03				
75	S378-3L	. PULLEY		02
- 75A	0523408-0	. BRACKET		01
75B	MS24665-134	. COTTER PIN		02
		. ATTACHING PARTS		
76	MS21042L4	. NUT		01
77	NAS1149F0463P	. WASHER		01
78	AN4-10A	. BOLT		01
		—*—		
79	S394	. PULLEY 172	80001	81577 03
- 79A	S394	. PULLEY 172S	08001	11084 03
		. ATTACHING PARTS		
80	MS21044N3	. NUT		01
81	NAS43HT4-10	. SPACER-LOCATED IN GUARD ON NUT SIDE		01
- 82	NAS43HT4-6	. SPACER-LOCATED IN GUARD ON BOLT HEAD SIDE		01
83	NAS1149F0463P	. WASHER		01
84	NAS1149F0432P	. WASHER		01
85	0512138-3	. BUSHING		01
86	AN3-22A	. BOLT		01
- 87	NAS1149F0332P	. WASHER-UNDER BOLT HEAD		01
		—*—		
88	0560100-1	. FAIRLEAD-172 AFT OVERHEAD SPAR FSO 0560100-3	81578	81592 NP
- 88A	0560100-1	. FAIRLEAD-172S AFT OVERHEAD SPAR FSO 0560100-3	11085	11116 NP
		. ATTACHING PARTS		
89	NAS1149F0332P	. WASHER REFER TO NOTE 2		AR
90	AN3-22A	. BOLT		01
91	NAS1149F0316P	. WASHER REFER TO NOTE 2		AR
92	NAS43HT4-8	. SPACER		AR
		—*—		
93	0560100-3	. FAIRLEAD-AFT OVERHEAD SPAR 172 REFER TO NOTE 2	81593	& ON 03
- 94	0560100-3	. FAIRLEAD-AFT OVERHEAD SPAR 172S REFER TO NOTE 2	11117	& ON 03
		. ATTACHING PARTS		
95	NAS1149F0432P	. WASHER REFER TO NOTE 2		AR
96	NAS43HT4-6	. SPACER REFER TO NOTE 2		AR
96A	NAS43HT4-8	. SPACER REFER TO NOTE 2		AR
97	AN3-22A	. BOLT		01
98	NAS1149F0332P	. WASHER		AR
99	NAS1149F0416P	. WASHER REFER TO NOTE 2		AR
100	NAS43HT4-10	. SPACER REFER TO NOTE 2		AR
101	0512138-0	. BUSHING		01
		—*—		
102	0512136-0	. CABLE GUARD 172	80001	81577 01
- 102A	0512136-0	. CABLE GUARD 172S	08001	11084 01
103	0560100-2	. CABLE GUARD 172 REFER TO NOTE 2	81578	& ON 01
- 103A	0560100-2	. CABLE GUARD 172S REFER TO NOTE 2	11085	& ON 01
- 104	0560065-2	. FAIRLEAD 172 REFER TO NOTE 1	81573	& ON 01
- 104A	0560065-2	. FAIRLEAD 172S REFER TO NOTE 1	11072	& ON 01
		. ATTACHING PARTS		
- 105	MS35206-229	. SCREW		02
- 106	NAS1149FN516P	. WASHER UNDER HEAD		02
- 107	MS21042-06	. NUT		02
		—*—		

NOTE 1—FAIRLEAD ATTACHED AT RH W.S. 57.68 TO RIB 0523233

NOTE 2—AIRPLANES 17280001 THRU 17281577 AND AIRPLANES 172S08001 THRU 172S11084 INCORPORATING MK172-27-02

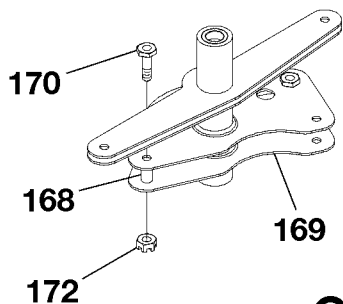
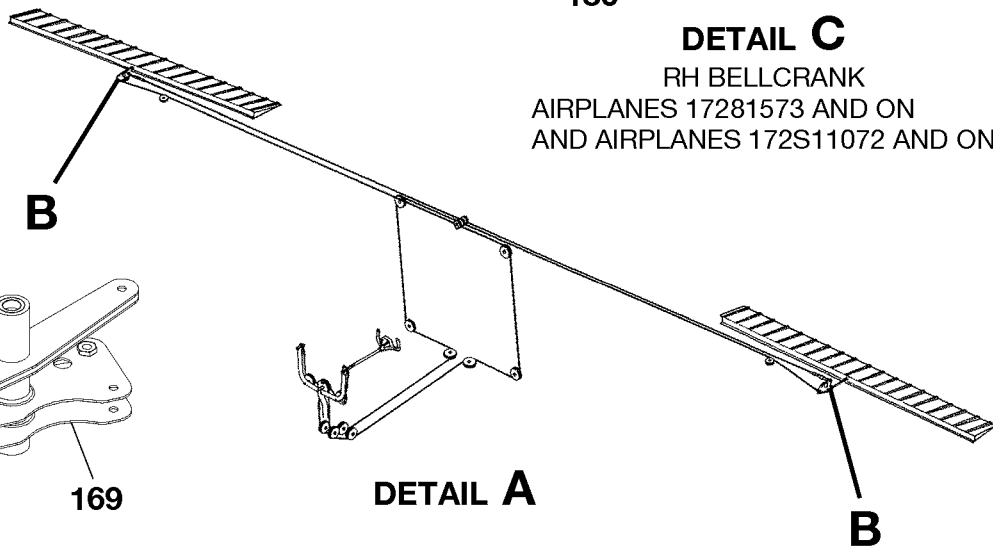
CESSNA AIRCRAFT COMPANY
MODEL 172 (SERIES 1996 AND ON)
 ILLUSTRATED PARTS CATALOG

B17776



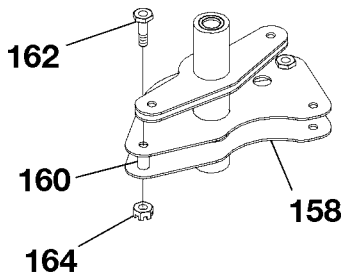
DETAIL C

RH BELLCRANK
 AIRPLANES 17281573 AND ON
 AND AIRPLANES 172S11072 AND ON



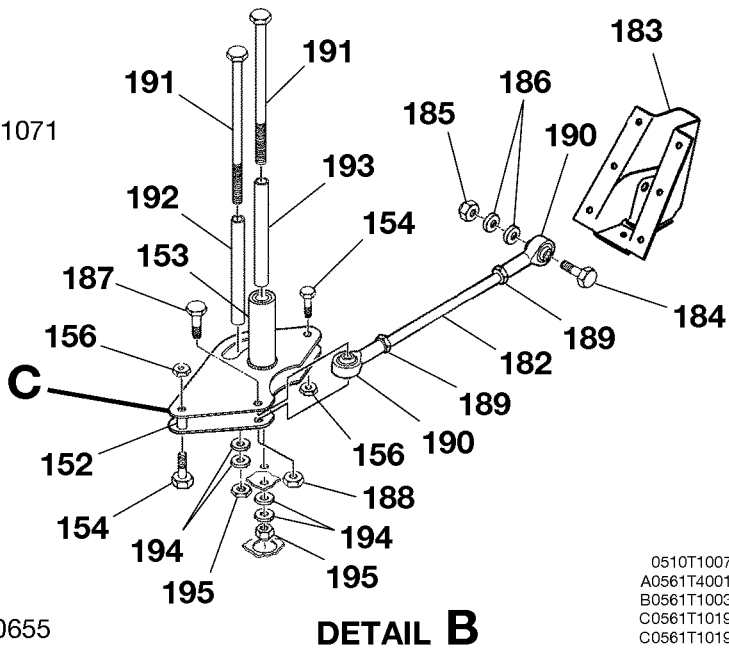
DETAIL C

RH BELLCRANK
 AIRPLANES 17288197 THRU 17281572
 AND AIRPLANES 172S10656 THRU 172S11071



DETAIL C

RH BELLCRANK
 AIRPLANES 17280001 THRU 17281496
 AND AIRPLANES 172S08001 THRU 172S10655



DETAIL B

0510T1007
 A0561T4001
 B0561T1003
 C0561T1019
 C0561T1019
 C0561T1019

AILERON CONTROL SYSTEM
 FIGURE 03 (SHEET 3)

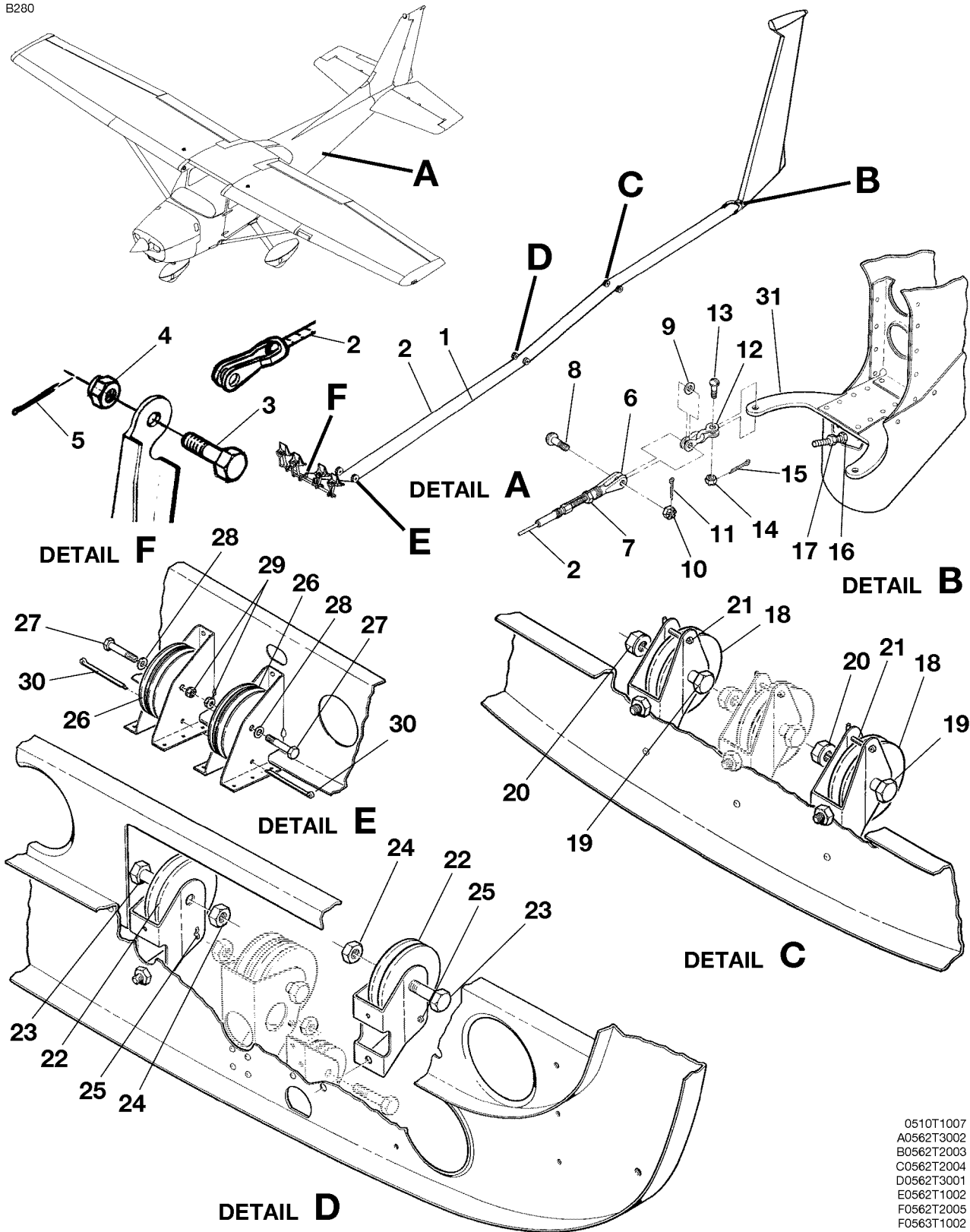
CESSNA AIRCRAFT COMPANY
MODEL 172 (SERIES 1996 AND ON)
 ILLUSTRATED PARTS CATALOG

FIG ITEM	PART NUMBER	NOMENCLATURE	UNITS	
			PER	ASSY
03				
- 150	0422430-7	. BELLCRANK ASSY-LH		01
- 151	S1997-6-10	. . BEARING		02
152	0422280-0	. . BUSHING		02
153	0422430-11	. . BELLCRANK WELD ASSY		01
		ATTACHING PARTS		
154	AN3-7	. BOLT		02
- 155	NAS43HT4-9	. SPACER		04
156	MS17825-3	. NUT		02
- 157	MS24665-134	. COTTER PIN		02
		—*—		
158	0522647-4	. BELLCRANK ASSY 172	80001 81496	01
- 158A	0522647-4	. BELLCRANK ASSY 172S	08001 10655	01
- 159	S1997-6-10	. . BEARING		02
160	0422280-0	. . BUSHING		02
- 161	0522647-9	. . BELLCRANK WELD ASSY		01
		ATTACHING PARTS		
162	AN3-7A	. BOLT		04
- 163	NAS43HT4-9	. SPACER		04
164	MS17825-3	. NUT		02
- 165	MS24665-134	. COTTER PIN		02
		—*—		
- 166	0522650-6	. BELLCRANK ASSY 172	81497 81572	01
- 166A	0522650-6	. BELLCRANK ASSY 172S	10656 11071	01
- 167	S1997-6G10	. . BEARING		02
168	0422280-0	. . BUSHING		02
169	0522650-5	. . BELLCRANK WELD ASSY		01
		ATTACHING PARTS		
170	AN3-7A	. BOLT		04
- 171	NAS43HT4-9	. SPACER		04
172	MS17825-3	. NUT		02
- 173	MS24665-134	. COTTER PIN		02
		—*—		
- 174	0522654-1	. BELLCRANK ASSY 172	81573 & ON	01
- 174A	0522654-1	. BELLCRANK ASSY 172S	11072 & ON	01
- 175	S1997-6G10	. . BEARING		02
176	0522654-5	. . BUSHING		02
177	0522654-2	. . BELLCRANK WELD ASSY		01
		ATTACHING PARTS		
178	NAS6203-6D	. BOLT		02
179	NAS1149F0363P	. WASHER		02
180	MS17826-3	. NUT		02
- 181	MS24665-134	. COTTER PIN		02
		—*—		
182	0523218-0	. ROD ASSY		01
		ATTACHING PARTS		
183		. BRACKET REFER TO 57-60-00 FIGURE 01 AILERON INSTALLATION		RF
184	AN3-10A	. BOLT		01
185	MS21044N3	. NUT		01
186	NAS1149F0363P	. WASHER-1 UNDER NUT AND 1 BETWEEN ROD AND BRACKET		02
187	AN3-7A	. BOLT		01
188	MS21044N3	. NUT		02
		—*—		
189	AN316-4R	. . NUT		02 R
190	S1819-3	. . BEARING		02 R
191	AN4-42A	. BOLT		02 R
192	0523222-0	. BUSHING		01 R
193	0523221-0	. BUSHING		01 R
194	NAS1149F0463P	. WASHER		04 R
195	MS21042L4	. NUT		02 R

- ITEM NOT ILLUSTRATED

CESSNA AIRCRAFT COMPANY
MODEL 172 (SERIES 1996 AND ON)
 ILLUSTRATED PARTS CATALOG

B280



RUDDER CONTROL SYSTEM
 FIGURE 01 (SHEET 1)

0510T1007
 A0562T3002
 B0562T2003
 C0562T2004
 D0562T3001
 E0562T1002
 F0562T2005
 F0563T1002

CESSNA AIRCRAFT COMPANY
MODEL 172 (SERIES 1996 AND ON)
ILLUSTRATED PARTS CATALOG

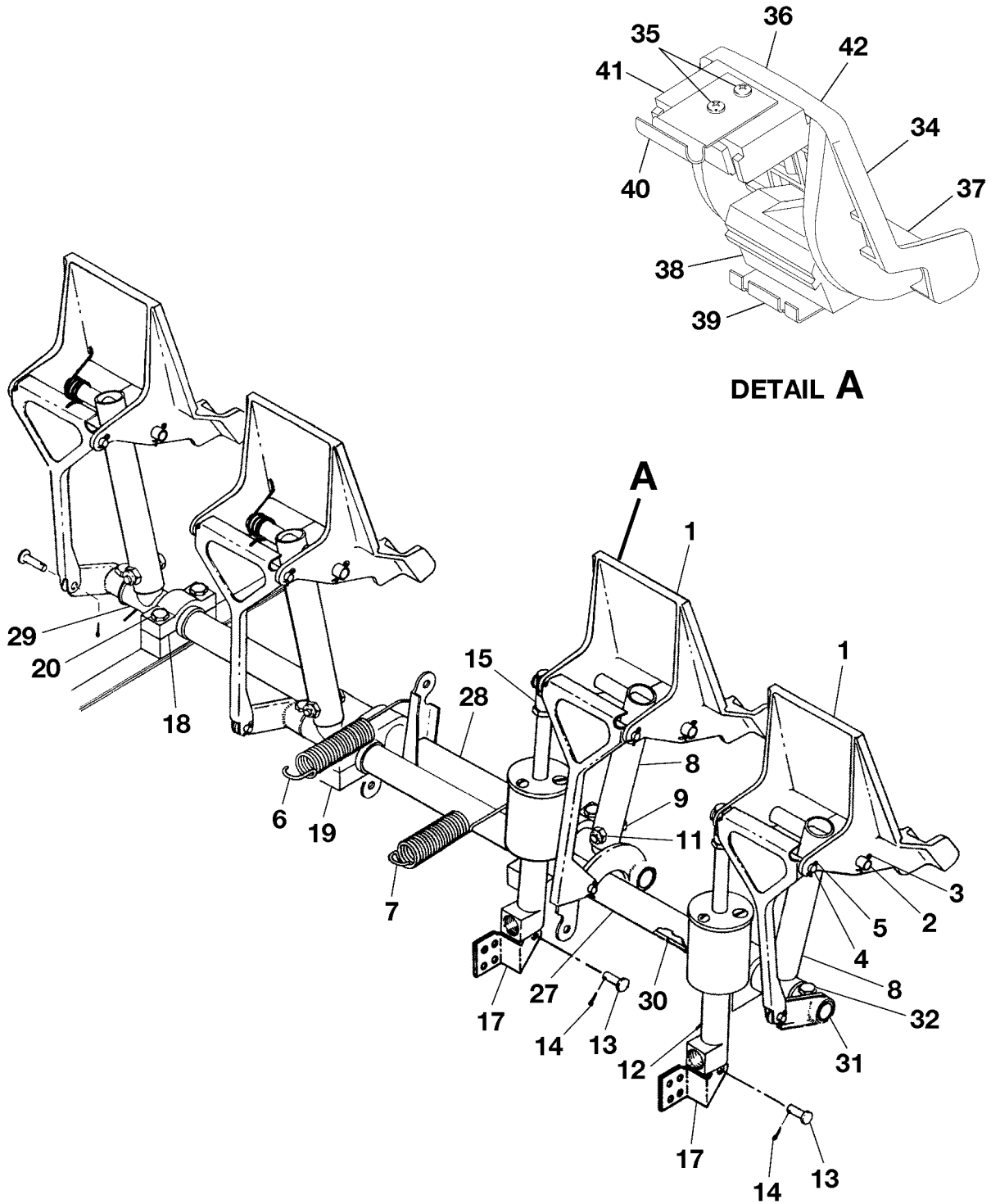
FIG ITEM	PART NUMBER	NOMENCLATURE	1 2 3 4 5 6 7							UNITS PER ASSY
01		RUDDER CONTROL SYSTEM								RF
-										
1	0510105-339	. CABLE ASSY-LH STAINLESS RUDDER REFER TO NOTE 1								01 R
- 1A	0510105-239	. CABLE ASSY-LH CARBON RUDDER REFER TO NOTE 1								01 R
2	0510105-338	. CABLE ASSY-RH STAINLESS STEEL REFER TO NOTE 1								01 R
- 2A	0510105-238	. CABLE ASSY-RH CARBON STEEL REFER TO NOTE 1								01 R
		ATTACHING PARTS								
3	AN23-10	. BOLT								01
4	AN310-3	. NUT								01
5	MS24665-134	. COTTER PIN								01
6	AN665-34R	. CLEVIS								01
7	AN315-4R	. NUT								01
8	AN24-12	. BOLT								01
9	NAS1149F0432P	. WASHER								AR
10	MS17825-4	. NUT								01
11	MS24665-134	. COTTER PIN								01
		—*—								
12	0560016-1	. SHACKLE ASSY								02
		ATTACHING PARTS								
13	AN23-10	. BOLT								01
14	MS17825-3	. NUT								01
15	MS24665-134	. COTTER PIN								01
		—*—								
16	NAS428H3A6	. BOLT-RUDDER STOP REPLACES NAS428H3-6								02
17	AN315-3R	. NUT-RUDDER STOP								02
18	S378-3L	. PULLEY								02
		ATTACHING PARTS								
19	AN4-10A	. BOLT								01
20	MS21042L4	. NUT								01
		—*—								
21	MS24665-136	. COTTER PIN								02
22	S378-3L	. PULLEY								02
		ATTACHING PARTS								
23	AN4-10A	. BOLT								01
24	MS21042L4	. NUT								01
		—*—								
25	MS24665-136	. COTTER PIN								02
26	S378-4	. PULLEY								02
		ATTACHING PARTS								
27	AN4-14A	. BOLT								01
28	NAS1149F0416P	. WASHER								01
29	MS21042L4	. NUT								02
		—*—								
30	MS24665-357	. COTTER PIN								02
31		. HORN-RUDDER REFER TO 55-40-00 FIGURE 01								RF
- 32		. PEDALS REFER TO 27-21-00 FIGURE 01								RF

NOTE 1—CARBON STEEL CABLES AND STAINLESS STEEL CABLES CANNOT BE USED TOGETHER

R

CESSNA AIRCRAFT COMPANY
MODEL 172 (SERIES 1996 AND ON)
 ILLUSTRATED PARTS CATALOG

B281



RUDDER PEDALS INSTALLATION
 FIGURE 01 (SHEET 1)

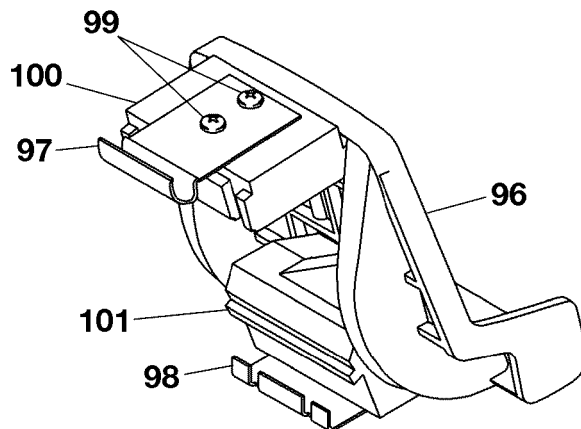
0562T2005
 A0562T2005

CESSNA AIRCRAFT COMPANY
MODEL 172 (SERIES 1996 AND ON)
ILLUSTRATED PARTS CATALOG

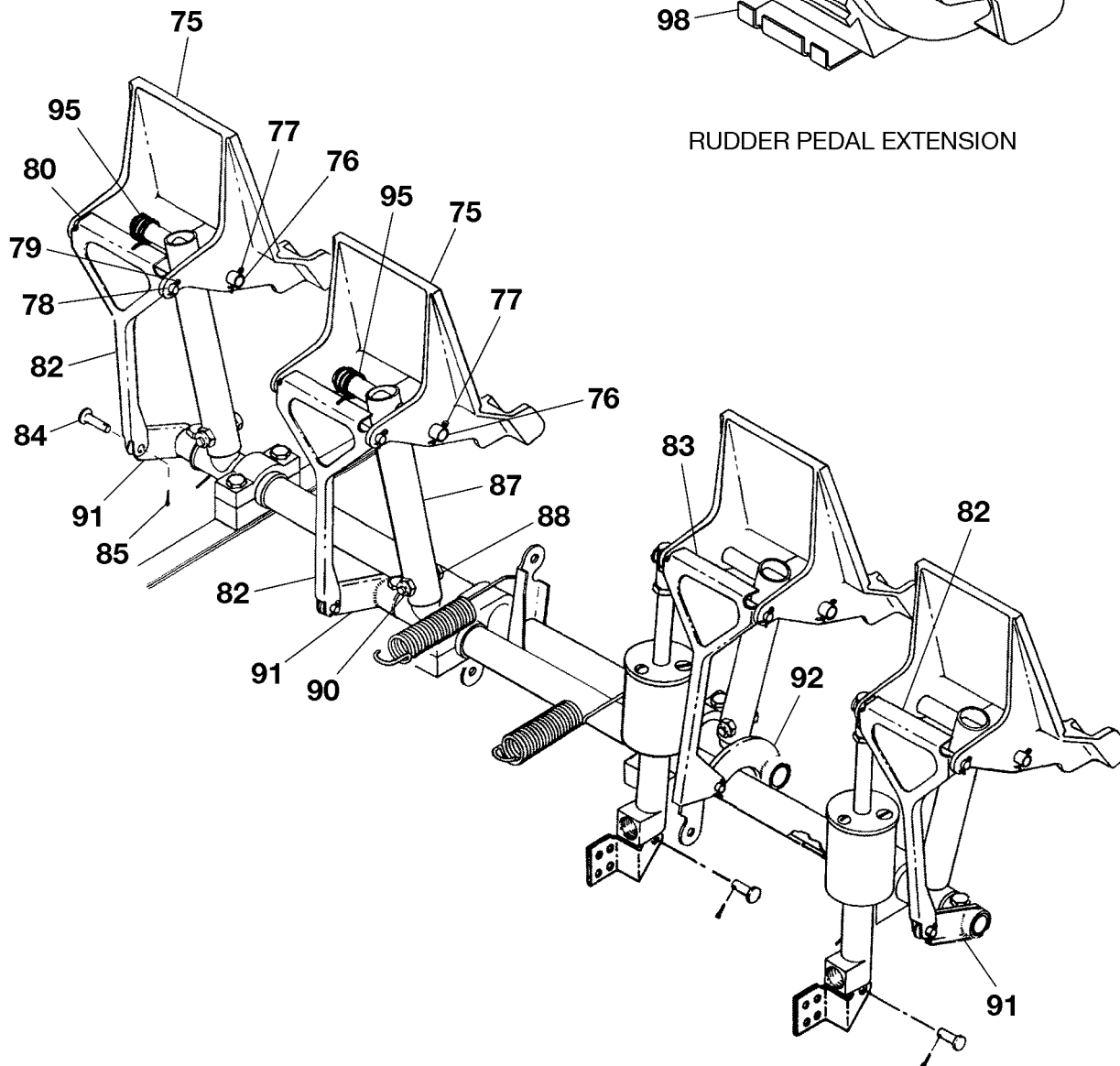
FIG ITEM	PART NUMBER	NOMENCLATURE	UNITS PER ASSY		
			1	2	3
01		RUDDER PEDALS INSTALLATION			RF
- 1	0413578-1	. PEDAL-BRAKE & RUDDER			02
		ATTACHING PARTS			
2	0567001-1	. SHAFT 172 FSO 0567001-3	80001	81571	NP R
- 2A	0567001-1	. SHAFT 172S FSO 0567001-3	08001	11068	NP R
- 2B	0567001-3	. SHAFT 172	81572	& ON	01 R
- 2C	0567001-3	. SHAFT 172S	11069	& ON	01 R
3	MS24665-285	. COTTER PIN 172	80001	81571	01 R
- 3A	MS24665-285	. COTTER PIN 172S	08001	11068	01 R
- 3B	MS24665-285	. COTTER PIN 172	81572	& ON	02 R
- 3C	MS24665-285	. COTTER PIN 172S	11069	& ON	02 R
4	0411778-6	. SHAFT			01
5	MS24665-132	. COTTER PIN			02
		—*—			
6	0310196-12	. SPRING-RH PEDAL RETURN			01
7	0310196-5	. SPRING-LH PEDAL RETURN			01
8	0411307-0	. ARM ASSY-RUDDER BAR			02
		ATTACHING PARTS			
9	AN3-12A	. BOLT			01
- 10	NAS1149F0363P	. WASHER			01
11	MS21044N3	. NUT			01 R
		—*—			
12		. CYLINDER ASSY-BRAKE REFER TO 32-32-01 FIGURE 01			RF
		ATTACHING PARTS			
13	MS20392-2C15	. PIN			01
14	MS24665-132	. COTTER PIN			01
15	0582001-1	. CLEVIS			01
- 16	AN316-4R	. NUT			01
		—*—			
17	0713624-2	. ANCHOR-MASTER CYLINDER			02
18	S1674-1	. BEARING ASSY-TORQUE TUBE			04
19	S1675-1	. BEARING ASSY-TORQUE TUBE			04
		ATTACHING PARTS			
20	AN3-16A	. BOLT			02
- 21	NAS1149F0363P	. WASHER			02
- 22	MS21044N3	. NUT			02
- 23	2467005-3	. SHIM USED WITH S1674-1 BEARING			AR
- 24	2467005-4	. SHIM USED WITH S1674-1 BEARING			AR
- 25	2467005-5	. SHIM USED WITH S1675-1 BEARING			AR
- 26	2467005-6	. SHIM USED WITH S1675-1 BEARING			AR
		—*—			
27	0411306-14	. WELD ASSY			01
28	0411306-25	. WELD ASSY			01
29	S1003-43A	. BEARING			04
30	0411565-0	. TUBE-DUAL BRAKE			02
31	0411562-0	. HUB-DUAL BRAKE			04
		ATTACHING PARTS			
32	AN3-10A	. BOLT			01
- 33	MS21044N7	. NUT			01
		—*—			
34	0501081-1	. PEDAL EXTENSION ASSY 172 FSO 0501081-8	80956	81336	NP R
- 34A	0501081-1	. PEDAL EXTENSION ASSY 172S FSO 0501081-8	08607	10242	NP R
- 34B	0501081-8	. PEDAL EXTENSION ASSY 172	81337	& ON	02 R
- 34C	0501081-8	. PEDAL EXTENSION ASSY 172S	10243	& ON	02 R
35	MS35206-261	. SCREW			04
36	MS35206-264	. SCREW			04
37	MS35206-266	. SCREW			01
38	0501081-2	. SPACER-LOWER			01
39	0501081-3	. CLIP 172 FSO 0501081-7	80956	81336	NP R
- 39A	0501081-3	. CLIP 172S FSO 0501081-7	08607	10242	NP R
- 39B	0501081-7	. CLIP 172	81337	& ON	01 R
- 39C	0501081-7	. CLIP 172S	10243	& ON	01 R
40	0501081-4	. CLIP			01
41	0501081-5	. SPACER-UPPER			01
42	0501081-6	. RUDDER PEDAL			01
- 43		. RUDDER REFER TO 55-40-00 FIGURE 01			RF

CESSNA AIRCRAFT COMPANY
MODEL 172 (SERIES 1996 AND ON)
ILLUSTRATED PARTS CATALOG

B282



RUDDER PEDAL EXTENSION



RUDDER PEDALS INSTALLATION
FIGURE 01 (SHEET 2)

0562T1004
0562T2005

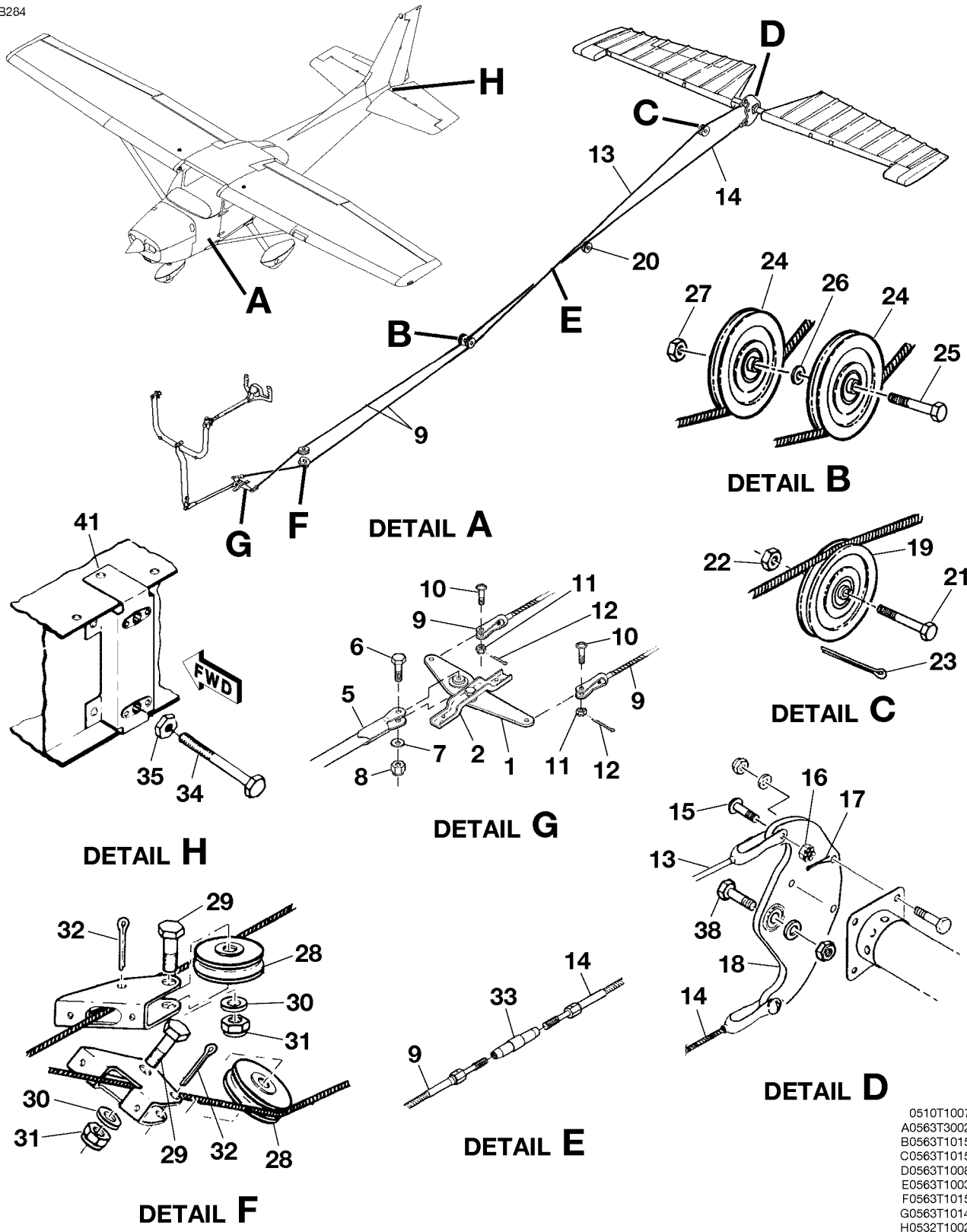
CESSNA AIRCRAFT COMPANY
MODEL 172 (SERIES 1996 AND ON)
ILLUSTRATED PARTS CATALOG

FIG ITEM	PART NUMBER	NOMENCLATURE	UNITS PER ASSY	
			1 2 3 4 5 6 7	
01				
75	0413578-1	. PEDAL-BRAKE & RUDDER ATTACHING PARTS		02
76	0567001-1	. SHAFT FSO 0567001-3	80001 81571	NP
- 76A	0567001-3	. SHAFT	08001 11068	
			81572 & ON	01
			11069 & ON	
77	MS24665-285	. COTTER PIN	80001 81571	01
- 77A	MS24665-285	. COTTER PIN	08001 11068	
			81572 & ON	02
			11069 & ON	
78	0411778-5	. SHAFT		01
79	MS24665-132	. COTTER PIN		02
80	NAS42HT8-8	. SPACER		01
- 81	S1438-20	. WASHER —*—		AR
82	0511336-1	. LINK-DUAL BRAKES		03
83	0511336-2	. LINK-DUAL BRAKES ATTACHING PARTS		01
84	MS20392-2C13	. PIN		01
85	MS24665-132	. COTTER PIN		01
- 86	NAS43HT3-12	. SPACER —*—		01
87	0411307-0	. ARM ASSY-RUDDER BAR ATTACHING PARTS		02
88	AN3-12A	. BOLT		01
- 89	NAS1149F0363P	. WASHER		01
90	MS21044N3	. NUT —*—		01
91	0411563-0	. BELLCRANK ASSY-RUDDER BRAKE		03
92	2260122-1	. BELLCRANK ASSY ATTACHING PARTS		01
- 93	AN3-10A	. BOLT		01
- 94	MS21045L3	. NUT REPLACES MS20365-1032C —*—		01
95	0760682-1	. SPRING		02
96	0501081-1	. EXTENSION ASSY-RUDDER PEDAL		02
97	0501081-4	. CLIP-UPPER		01
98	0501081-3	. CLIP-LOWER ATTACHING PARTS		01
99	AN515-10R6	. SCREW —*—		04
100	0501081-5	. SPACER-UPPER		01
101	0501081-2	. SPACER-LOWER ATTACHING PARTS		01
- 102	AN515-10R10	. SCREW		03
- 103	AN515-10R14	. SCREW LOWER SPACER ONLY —*—		01

- ITEM NOT ILLUSTRATED

CESSNA AIRCRAFT COMPANY
MODEL 172 (SERIES 1996 AND ON)
 ILLUSTRATED PARTS CATALOG

B284



ELEVATOR CONTROL SYSTEM
 FIGURE 01 (SHEET 1)

0510T1007
 A0563T3002
 B0563T1015
 C0563T1015
 D0563T1008
 E0563T1003
 F0563T1015
 G0563T1014
 H0532T1002

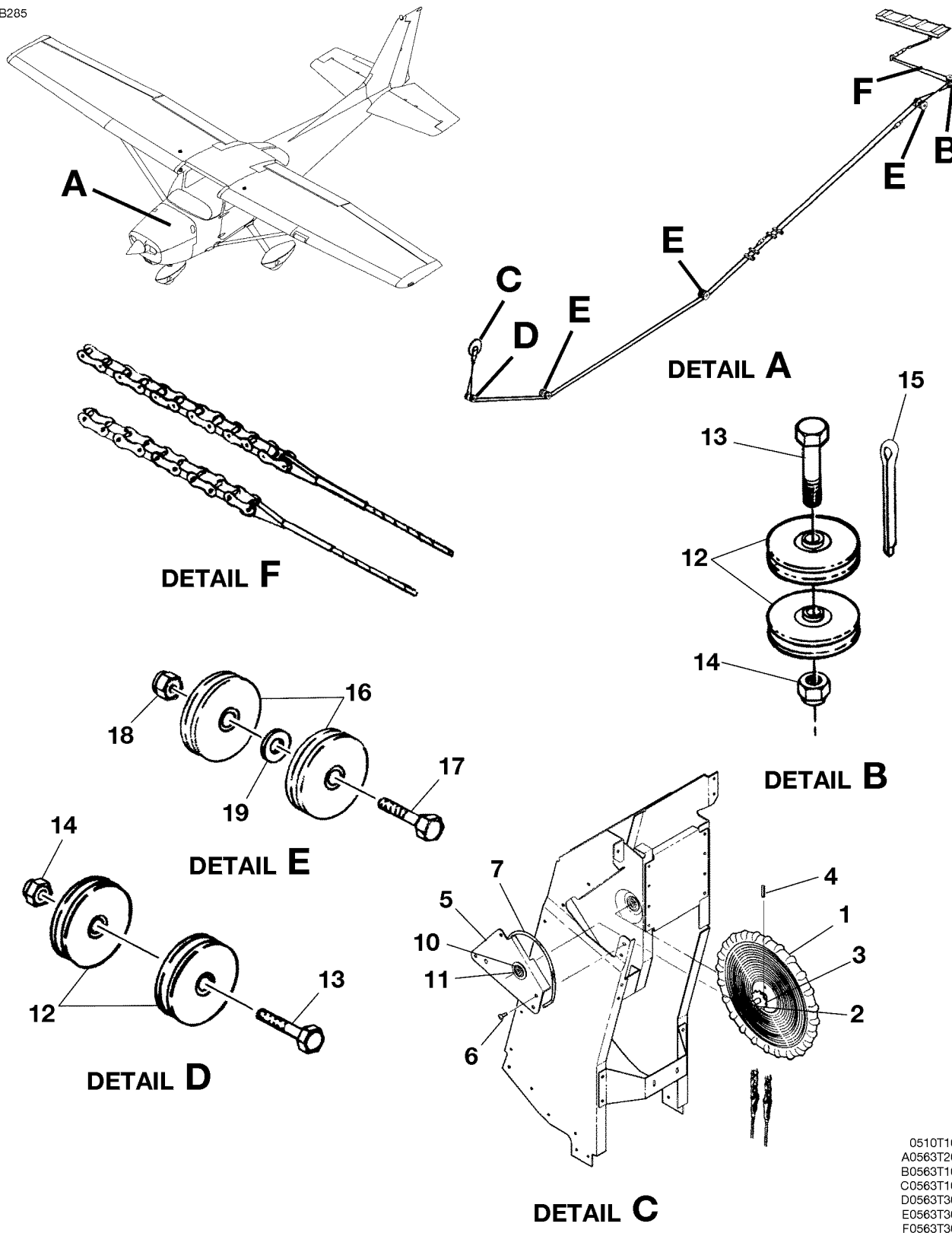
CESSNA AIRCRAFT COMPANY
MODEL 172 (SERIES 1996 AND ON)
ILLUSTRATED PARTS CATALOG

FIG ITEM	PART NUMBER	NOMENCLATURE	UNITS PER ASSY
		1 2 3 4 5 6 7	
01		ELEVATOR CONTROL SYSTEM	
- 1	0513370-1	. BELLCRANK ASSY-FWD ELEVATOR	RF 01
		ATTACHING PARTS	
2	AN4-11A	. BOLT	01
- 3	NAS1149F0432P	. WASHER	01
- 4	MS21042L4	. NUT	01
		—*—	
5	0560049-1	. TUBE ASSY BELLCRANK TO CONTROL TEE	01
		ATTACHING PARTS	
6	AN4-10A	. BOLT	02
7	NAS1149F0463P	. WASHER	02
8	MS21042L4	. NUT	02
		—*—	
9	0510105-308	. CABLE ASSY-FWD ELEVATOR STAINLESS STEEL REFER TO NOTE 1	02
- 9A	0510105-208	. CABLE ASSY-FWD ELEVATOR CARBON STEEL REFER TO NOTE 1	02
		ATTACHING PARTS	
10	AN23-10	. BOLT	02
11	MS17825-3	. NUT	02
12	MS24665-134	. COTTER PIN	02
		—*—	
13	0510105-391	. CABLE ASSY-AFT UPPER ELEVATOR STAINLESS STEEL REFER TO NOTE 1	01
- 13A	0510105-291	. CABLE ASSY-AFT UPPER ELEVATOR CARBON STEEL REFER TO NOTE 1	01
14	0510105-390	. CABLE ASSY-AFT LOWER ELEVATOR STAINLESS STEEL REFER TO NOTE 1	01
- 14A	0510105-290	. CABLE ASSY-AFT LOWER ELEVATOR CARBON STEEL REFER TO NOTE 1	01
		ATTACHING PARTS	
15	AN23-12	. BOLT	02
16	MS17825-3	. NUT	02
17	MS24665-134	. COTTER PIN	02
		—*—	
18	0534122-1	. BELLCRANK ASSY-ELEVATOR REAR 172 FSO 0534128-1	80001 81567 NP
- 18A	0534122-1	. BELLCRANK ASSY-ELEVATOR REAR 172S FSO 0534128-1	08001 11054 NP
- 18B	0534128-1	. BELLCRANK ASSY-ELEVATOR REAR 172	81568 & ON 01
- 18C	0534128-1	. BELLCRANK ASSY-ELEVATOR REAR 172S	11055 & ON 01
19	S378-3	. PULLEY-AFT UPPER	01
20	S378-3L	. PULLEY-AFT LOWER	01
		ATTACHING PARTS	
21	AN4-10A	. BOLT	01
22	MS21042L4	. NUT	01
23	MS24665-136	. COTTER PIN	01
		—*—	
24	S378-3L	. PULLEY	02
		ATTACHING PARTS	
25	AN4-14A	. BOLT	01
26	NAS1149F0463P	. WASHER	01
27	MS21042L4	. NUT	01
		—*—	
28	MS20220-1	. PULLEY	02
		ATTACHING PARTS	
29	AN5-11A	. BOLT	01
30	NAS1149F0563P	. WASHER	01
31	MS21042L5	. NUT	01
32	MS24665-285	. COTTER PIN	01
		—*—	
33	MS21251-B5S	. BARREL REPLACES AN155B32S	02
34	NAS428H3A16	. BOLT-ELEVATOR STOP FSO NAS428H3-16	NP R
- 34A	NAS428H3-16	. BOLT-ELEVATOR STOP	02 R
35	AN315-3R	. NUT-ELEVATOR STOP	02 R
- 36	AN970-3	. WASHER-ELEVATOR STOP	01 R
- 37	MS21044N3	. NUT-ELEVATOR STOP	01 R
38		. ELEVATOR INSTALLATION REFER TO 55-20-00 FIGURE 01	RF R
- 39		. STABILIZER REFER TO 55-10-00 FIGURE 01	RF R
- 40		. CONSOLE STRUCTURE REFER TO 53-22-00 FIGURE 02	RF R
41		. BRACKET REFER TO 55-10-00 FIGURE 01	RF R
- 42		. CONTROL YOKE REFER TO 27-10-00 FIGURE 01	RF R

NOTE 1—CARBON STEEL AND STAINLESS STEEL CABLES CANNOT BE USED TOGETHER.

CESSNA AIRCRAFT COMPANY
MODEL 172 (SERIES 1996 AND ON)
 ILLUSTRATED PARTS CATALOG

B285



0510T1007
 A0563T2001
 B0563T1002
 C0563T1001
 D0563T3001
 E0563T3001
 F0563T3001

ELEVATOR TRIM CONTROL SYSTEM
 FIGURE 01 (SHEET 1)

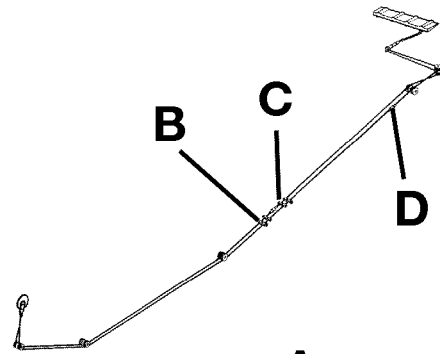
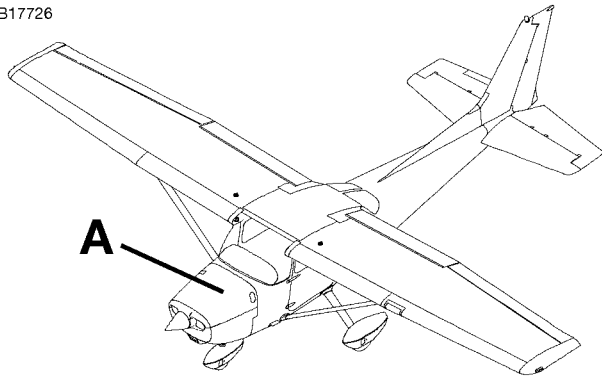
CESSNA AIRCRAFT COMPANY
MODEL 172 (SERIES 1996 AND ON)
ILLUSTRATED PARTS CATALOG

FIG ITEM	PART NUMBER	NOMENCLATURE	UNITS	
			PER	ASSY
01		ELEVATOR TRIM CONTROL SYSTEM		RF
-		WHEEL ASSY-TAB CONTROL		01
1	0713656-1	SHAFT-TAB CONTROL		01
2	0713656-3	SPROCKET		01
3	0432134-1	PIN		02
4	NAS561-3-8	RETAINER ASSY-ELEVATOR TRIM 172 FSO 0713624-4	80001	81496 NP
5	0713642-1	RETAINER ASSY-ELEVATOR TRIM 172S FSO 07136242-4	08001	10655 NP
- 5A	0713642-1	RETAINER ASSY-ELEVATOR TRIM 172	81497	& ON 01
- 5B	0713642-4	RETAINER ASSY-ELEVATOR TRIM 172S	10656	& ON 01
- 5C	0713642-4	ATTACHING PARTS		
6	MS27039-0805	SCREW FSO AN525-832R6		NP
- 6A	AN525-832R6	SCREW		04
7	0713642-3	INDICATOR-ELEVATOR TRIM 172 FSO 0713642-6	80001	81496 NP
- 7A	0713642-3	INDICATOR-ELEVATOR TRIM 172S FSO 0713642-6	08001	10655 NP
- 7B	0713642-6	INDICATOR-ELEVATOR TRIM 172	81497	& ON 01
- 7C	0713642-6	INDICATOR-ELEVATOR TRIM 172S	10656	& ON 01
		ATTACHING PARTS		
- 8	0713032-1	BUSHING		01
- 9	S1450-24A7-040	WASHER		01
10	S1997C4-5	BEARING FSO S1997C4G5 OR S1997C4H5		01
- 10A	S1997C4G5	BEARING		01
- 10B	S1997C4H5	BEARING		01
11	0411420-0	HOUSING		01
12	S378-1	PULLEY		04
		ATTACHING PARTS		
13	AN3-10A	BOLT		01
14	MS21044N3	NUT		01
15	MS24665-353	COTTER PIN REAR PULLEYS ONLY		01
16	S378-1L	PULLEY		06
		ATTACHING PARTS		
17	AN3-10A	BOLT		01
18	MS21044N3	NUT		01
19	NAS1149F0332P	WASHER TWO AFT PULLEYS ONLY		01
- 20	MS24665-285	COTTER PIN FORWARD PULLEY ONLY		01

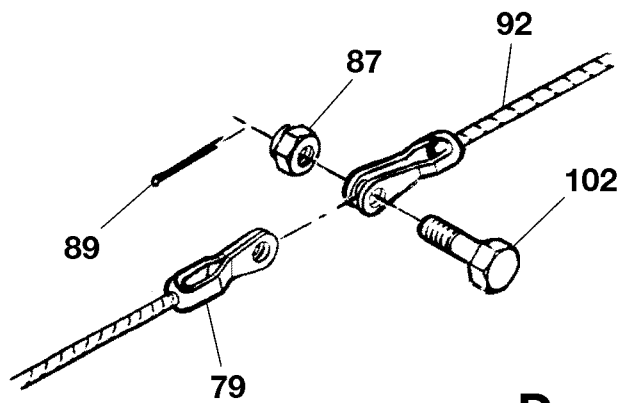
- ITEM NOT ILLUSTRATED

CESSNA AIRCRAFT COMPANY
MODEL 172 (SERIES 1996 AND ON)
 ILLUSTRATED PARTS CATALOG

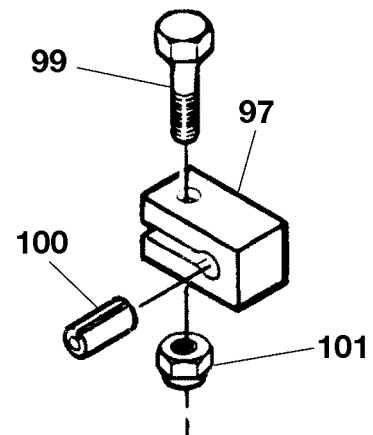
B17726



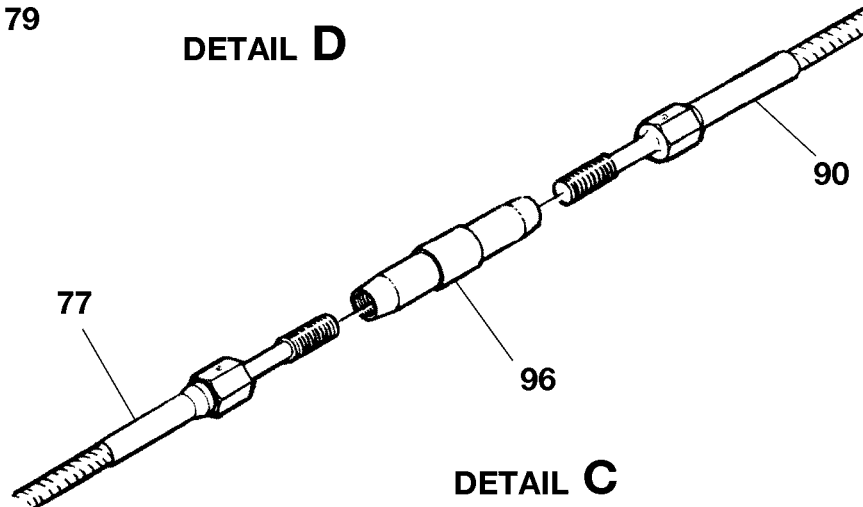
DETAIL A



DETAIL D



DETAIL B



DETAIL C

ELEVATOR TRIM CONTROL SYSTEM
 FIGURE 01 (SHEET 2)

0510T1007
 A0563T2001
 B0563T1002
 C0563T1003
 D0563T1002

CESSNA AIRCRAFT COMPANY
MODEL 172 (SERIES 1996 AND ON)
ILLUSTRATED PARTS CATALOG

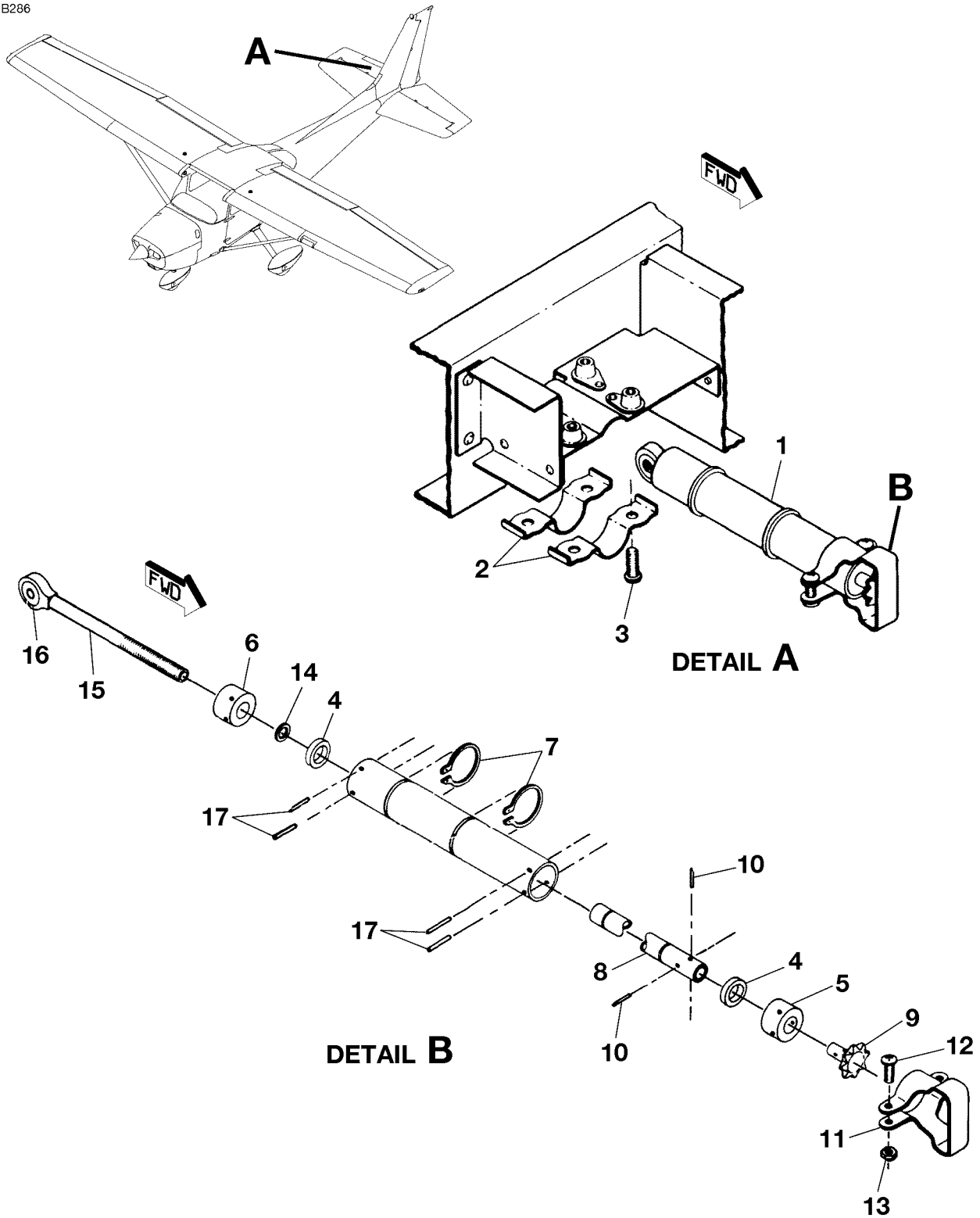
FIG ITEM	PART NUMBER	NOMENCLATURE	UNITS	
			PER	ASSY
01				
- 75	0560051-101	. CHAIN & CABLE ASSY-ELEVATOR TRIM FWD STAINLESS STEEL REFER TO NOTE 1	01	R
- 76	0560051-1	. CHAIN & CABLE ASSY-ELEVATOR TRIM FWD CARBON STEEL REFER TO NOTE 1	01	R
77	0560051-104	. . CABLE ASSY-TAB WHEEL TO TURNBUCKLE STAINLESS STEEL REFER TO NOTE 1	01	R
- 78	0560051-4	. . CABLE ASSY-TAB WHEEL TO TURNBUCKLE CARBON REFER TO NOTE 1	01	R
79	0560051-105	. . CABLE ASSY-TAB WHEEL TO DISCONNECT STAINLESS STEEL REFER TO NOTE 1	01	R
- 80	0560051-5	. . CABLE ASSY-TAB WHEEL TO DISCONNECT CARBON STEEL REFER TO NOTE 1	01	R
- 81	S2295P25	. . CHAIN BKI 14.75 IN LG	01	
- 82	S2294-25	. . CONNECTING LINK-CHAIN ATTACH	02	R
- 83	0560051-103	. CHAIN & CABLE ASSY-ELEVATOR TRIM AFT STAINLESS STEEL REFER TO NOTE 1	01	R
- 84	0560051-3	. CHAIN & CABLE ASSY-ELEVATOR TRIM AFT CARBON STEEL REFER TO NOTE 1	01	R
		ATTACHING PARTS		
- 85	AN3-5	. BOLT	80001 81567 08001 11057	01 R
- 86	MS27039-1-06	. SCREW	81568 & ON 11058 & ON	01 R
87	AN310-3	. NUT	80001 81567 08001 11057	01 R
- 88	MS21083N3	. NUT	81568 & ON 11058 & ON	01 R
89	MS24665-134	. COTTER PIN	80001 81567 08001 11057	01 R
		—*—		
90	0510105-144	. . CABLE ASSY-STAINLESS STEEL TAB ACTUATOR TO TURNBUCKLE REFER TO NOTE 1		01 R
- 91	0510105-44	. . CABLE ASSY-CARBON STEEL TAB ACTUATOR TO TURNBUCKLE REFER TO NOTE 1		01 R
92	0510105-145	. . CABLE ASSY-STAINLESS STEEL TAB ACTUATOR TO DISCONNECT REFER TO NOTE 1		01 R
- 93	0510105-45	. . CABLE ASSY-CARBON STEEL TAB ACTUATOR TO DISCONNECT REFER TO NOTE 1		01 R
- 94	S2295P25	. . CHAIN 16.75 IN LG BKI		01
- 95	S2294-25	. . CONNECTING LINK-CHAIN ATTACH		02 R
96	MS21251B2L	. BARREL REPLACES AN155B8L		01
97	0411523-0	. BLOCK-ELEVATOR TAB STOP	80001 81567 08001 11057	04 R
- 98	0411523-0	. BLOCK-ELEVATOR TAB STOP	81568 & ON 11058 & ON	03 R
		ATTACHING PARTS		
99	AN3-6A	. BOLT		01
100	0411524-0	. BUSHING		01
101	MS21044N3	. NUT		01
		—*—		
102		. ACTUATOR ASSY REFER TO 27-30-01 FIGURE 02		RF
- 103		. CONSOLE-PEDESTAL REFER TO 53-22-00 FIGURE 02		RF

NOTE 1—CARBON STEEL AND STAINLESS STEEL CABLES CAN NOT BE USED TOGETHER

R

CESSNA AIRCRAFT COMPANY
MODEL 172 (SERIES 1996 AND ON)
 ILLUSTRATED PARTS CATALOG

B286



0510T1007
 A0563T1011
 B0563T1010

ELEVATOR TRIM TAB ACTUATOR ASSEMBLY
 FIGURE 02 (SHEET 1)

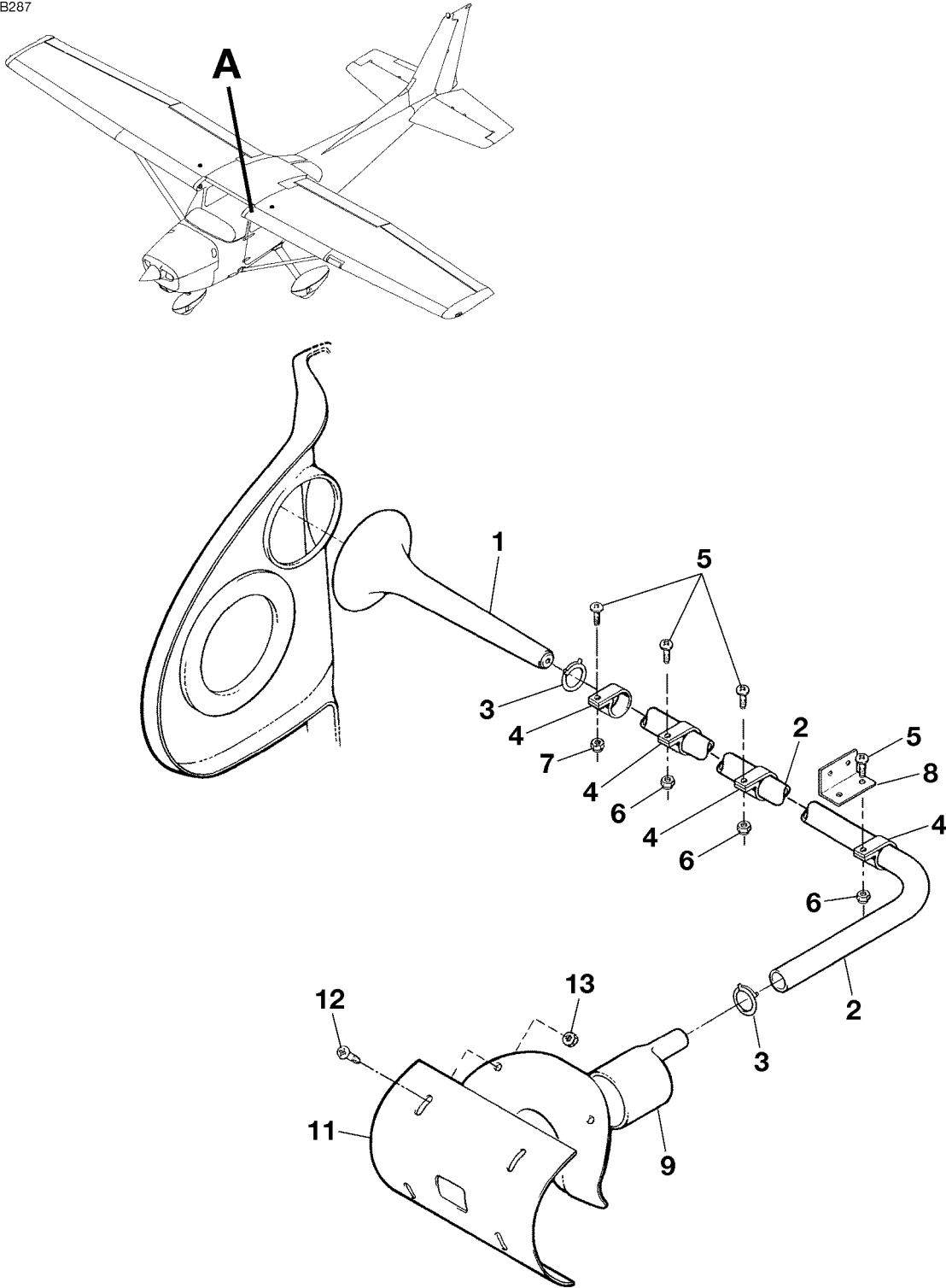
CESSNA AIRCRAFT COMPANY
MODEL 172 (SERIES 1996 AND ON)
 ILLUSTRATED PARTS CATALOG

FIG ITEM	PART NUMBER	NOMENCLATURE	UNITS
			PER ASSY
02		ELEVATOR TRIM TAB ACTUATOR ASSEMBLY	RF
-		. ACTUATOR ASSY-ELEVATOR TRIM TAB ASSY	01
1	1260074-1	. ATTACHING PARTS	
2	0432126-0	. CLAMP-ACTUATOR	02
3	MS35207-263	. SCREW	04
		—*—	
4	0310295-0	. . COLLAR-ACTUATOR	02
5	0310297-1	. . BEARING-ACTUATOR	01
6	0310298-1	. . BEARING-ACTUATOR	01
7	MS16624-81	. . RING-RETAINER OUTSIDE	02
8	1260049-1	. . SCREW-INTERNAL THREADS	01
9	0310332-0	. . SPROCKET-ROLL CHAIN	01
		. ATTACHING PARTS	
10	3/32X.375TYPE3	. . GROOV-PIN V73957	02
		—*—	
11	0310422-1	. . GUARD-ROLL CHAIN	01
		. ATTACHING PARTS	
12	MS35206-245	. . SCREW	02 R
13	MS21044N08	. . NUT	02
		—*—	
14	AN6227-5	. . O-RING-ACTUATOR	01
15	0310362-5	. . SCREW ASSY-ACTUATOR	01
16	S3895-1	. . . BEARING	01
17	3/32X.625TYPE3	. . GROOV-PIN V73957	04
- 18		. ELEVATOR INSTALLATION REFER TO 55-20-00 FIGURE 01	RF
- 19		. ELEVATOR CONTROL REFER TO 27-30-01 FIGURE 01	RF
- 20		. HORIZONTAL STABILIZER REFER TO 55-10-00 FIGURE 01	RF

- ITEM NOT ILLUSTRATED

CESSNA AIRCRAFT COMPANY
MODEL 172 (SERIES 1996 AND ON)
ILLUSTRATED PARTS CATALOG

B287



DETAIL A

STALL WARNING HORN INSTALLATION
FIGURE 01 (SHEET 1)

0510T1007
A0560R1010

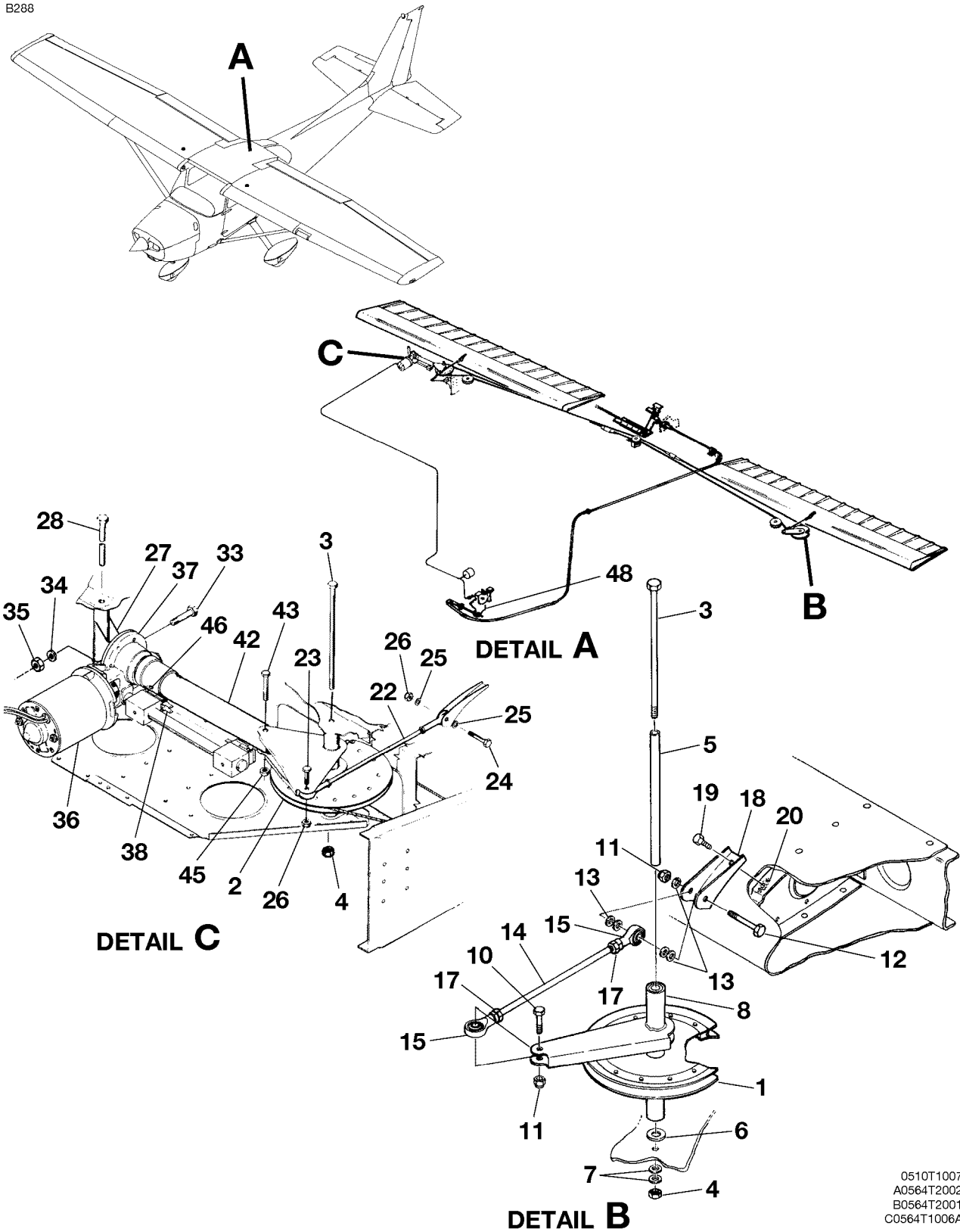
CESSNA AIRCRAFT COMPANY
MODEL 172 (SERIES 1996 AND ON)
 ILLUSTRATED PARTS CATALOG

FIG ITEM	PART NUMBER	NOMENCLATURE	UNITS
			PER ASSY
01		STALL WARNING HORN INSTALLATION	RF
-		. HORN ASSY-STALL WARNING	01
1	0713348-1	. HORN	01
- 1A	0413028-11	. REED	01 R
- 1B	S2488-1	. TUBE 72.0 IN LG BKI	AR
2	S1071-4	ATTACHING PARTS	
3	S1494-8	. CLAMP	02
4	MS21103D8	. CLAMP	04
5	S1021Z6-6	. SCREW	04
6	S4213-12	. CLIP NUT	03
7	S4213-5	. CLIP NUT	01
8	0422292-0	. BRACKET	01
		—*—	
- 8A		. WING LEADING EDGE REFER TO 57-40-00 FIGURE 01	RF
9	0413028-10	. SCOOP ASSY	01
- 10	0413485-2	. SCREEN INSIDE SCOOP	01
11	0413028-9	. SCOOP PLATE-STALL WARNING	01
		ATTACHING PARTS	
12	S1021Z8-8	. SCREW	04
13	S4213-18	. CLIP NUT	04
		—*—	

- ITEM NOT ILLUSTRATED

CESSNA AIRCRAFT COMPANY
MODEL 172 (SERIES 1996 AND ON)
 ILLUSTRATED PARTS CATALOG

B268



FLAP CONTROLS INSTALLATION
 FIGURE 01 (SHEET 1)

0510T1007
 A0564T2002
 B0564T2001
 C0564T1006A

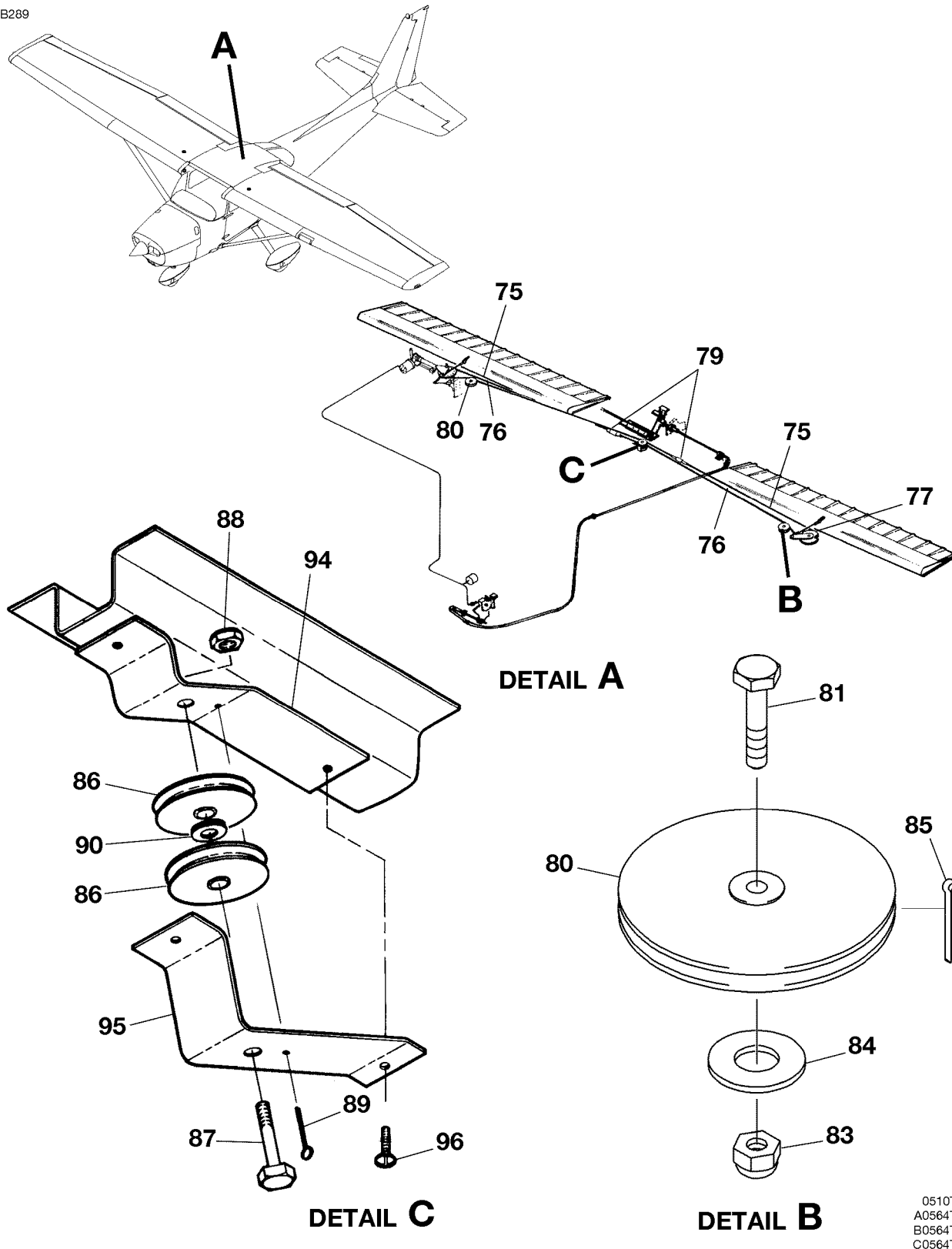
CESSNA AIRCRAFT COMPANY
MODEL 172 (SERIES 1996 AND ON)
ILLUSTRATED PARTS CATALOG

FIG ITEM	PART NUMBER	NOMENCLATURE	UNITS PER ASSY
	1 2 3 4 5 6 7		
01		FLAP CONTROLS INSTALLATION	RF
- 1	0762054-5	. DRIVE PULLEY ASSY-LEFT FLAP	01
2	0762054-4	. DRIVE PULLEY ASSY-RIGHT FLAP	01
		ATTACHING PARTS	
3	AN4-60A	. BOLT	01
4	MS21042L4	. NUT	01
5	0523536-0	. BUSHING	01
6	S1450-20B12-032	. WASHER	01
7	NAS1149D0463H	. WASHER	02
		—*—	
8	S1997-6-10	. . BEARING ALT S1997-6H10 OR ALT S1997-6G10	02
- 9	0523537-0	. ROD ASSY-FLAP PUSH PULL	02
		ATTACHING PARTS	
10	AN3-6A	. BOLT	01
11	MS21044N3	. NUT	02
12	AN3-11A	. BOLT	01
13	NAS1149F0363P	. WASHER	05
		—*—	
14	0523537-2	. . ROD-FLAP PUSH PULL	01
15	S1106-3	. . ROD END	02
- 15A	S1106D3	. . ROD END ALT FOR S1106-3	02
- 16	S1819-3	. . ROD END ALT FOR S1106D3	02
17	AN316-4R	. . NUT-CHECK	02
18	0523918-0	. BRACKET-FLAP CONTROL	01
19	AN3-3A	. BOLT-BRACKET FLAP CONTROL ATTACH	02
20	MS21047L3	. NUTPLATE-BRACKET FLAP CONTROL ATTACH	02
- 21	S1997-6-10	. BEARING ALT S1997-6H10 OR ALT S1997-6G10	02
22	0523537-0	. ROD ASSY	01
		ATTACHING PARTS	
23	AN3-6A	. BOLT	01
24	AN3-11A	. BOLT	01
25	NAS1149F0363P	. WASHER	02
26	MS21044N3	. NUT	02
		—*—	
27	0760619-1	. HINGE ASSY-FLAP MOTOR	01
		ATTACHING PARTS	
28	AN4-57A	. BOLT WAS AN4-56A	01
- 29	0523536-0	. BUSHING	01
- 30	MS21042L4	. NUT	01
		—*—	
- 31	B610	. . BEARING	02
- 32	0528010-1	. ACTUATOR AND MOTOR ASSY-INTERNALLY FILTERED 172	V60380 80001 80830 01
- 32A	0528010-1	. ACTUATOR AND MOTOR ASSY-INTERNALLY FILTERED 172S	08001 08347 01
- 32B	0528010-3	. ACTUATOR AND MOTOR ASSY-INTERNALLY FILTERED 172	80831 80983 01
- 32C	0528010-3	. ACTUATOR AND MOTOR ASSY-INTERNALLY FILTERED 172S	08348 08703 01
- 32D	0528010-4	. ACTUATOR AND MOTOR ASSY-INTERNALLY FILTERED 172	80984 & ON 01
- 32E	0528010-4	. ACTUATOR AND MOTOR ASSY-INTERNALLY FILTERED 172S	08704 & ON 01
33	AN6-15A	. BOLT-ACTUATOR AND MOTOR ASSY ATTACH	01
34	NAS1149F0663P	. WASHER-ACTUATOR AND MOTOR ASSY ATTACH	01
35	MS21042L6	. NUT-ACTUATOR AND MOTOR ASSY ATTACH	01
36	C301002-0110	. . ACTUATOR ASSY FSO C301002-0122	NP R
- 36A	C301002-0122	. . ACTUATOR ASSY -24V - 172	01 R
- 36B	C301002-0122	. . ACTUATOR ASSY- 24V 172S	011763 & ON 01 R
- 36C	C301002-0104	. . MOTOR ASSY FSO C301002-0121	NP R
- 36D	C301002-0121	. . MOTOR ASSY- 24V	01 R
37	C301002-0113	. . ACTUATOR AND SWITCH BAR ASSY	01
38	V7-1C17E9-201	. . SWITCH REPLACES S1906-2	02
		ATTACHING PARTS	
- 39	AN515-4-9	. . SCREW	02
- 40	MS35333-36	. . WASHER-WAS AN936A4	02
		—*—	
- 41	C301001-0211	. . COUPLING-ACTUATOR	01
42	0760620-11	. TUBE ASSY-FLAP ACTUATOR	01
		ATTACHING PARTS	
43	AN4-15A	. BOLT	01
- 44	0760614-1	. BUSHING	01
45	MS21042L4	. NUT	01
46	AN565B428H3	. SCREW	01
		—*—	
- 47	S1003-66A	. . BEARING	01
48		. FLAP POSITION INDICATOR INSTALLATION REFER TO 27-50-00 FIGURE 02	RF
- 49	0570570-5	. FUSELAGE FLAP CONTROLS-WBA	01
- 50		. CONSOLE REFER TO 53-22-00 FIGURE 02	RF

- ITEM NOT ILLUSTRATED

CESSNA AIRCRAFT COMPANY
MODEL 172 (SERIES 1996 AND ON)
 ILLUSTRATED PARTS CATALOG

B289



FLAP CONTROLS INSTALLATION
 FIGURE 01 (SHEET 2)

0510T1007
 A0564T2002
 B0564T1004
 C0564T1005

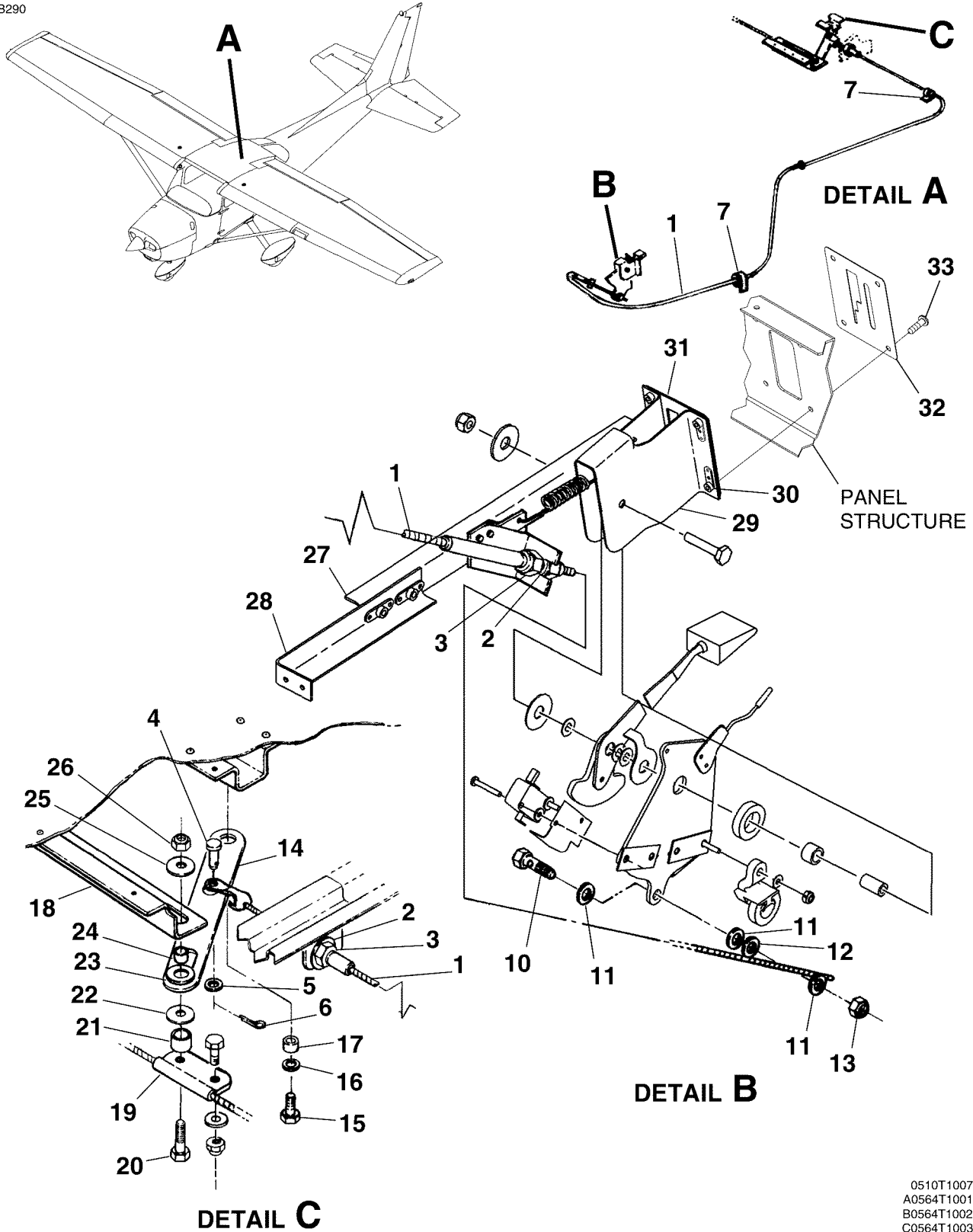
CESSNA AIRCRAFT COMPANY
MODEL 172 (SERIES 1996 AND ON)
ILLUSTRATED PARTS CATALOG

FIG ITEM	PART NUMBER	NOMENCLATURE	UNITS	
			PER	ASSY
01				
75	0510105-193	. CABLE ASSY-FLAP STAINLESS STEEL REFER TO NOTE 1		01
- 75A	0510105-93	. CABLE ASSY-FLAP CARBON STEEL REFER TO NOTE 1		01
76	0510105-194	. CABLE ASSY-FLAP STAINLESS STEEL REFER TO NOTE 1		01
- 76A	0510105-94	. CABLE ASSY-FLAP CARBON STEEL REFER TO NOTE 1 ATTACHING PARTS		01
77	MS20392-1C11	. PIN		02
- 78	MS24665-134	. COTTER PIN		02
79	AN155B16S	. BARREL —*—		01
80	S378-2	. PULLEY ATTACHING PARTS		02
81	AN3-7A	. BOLT		01
- 82	MS21919DG5	. CLAMP		01
83	MS21044N3	. NUT		01
84	NAS1149F0363P	. WASHER —*—		01
85	MS24665-134	. COTTER PIN		01
86	S378-1L	. PULLEY ATTACHING PARTS		02
87	AN3-12A	. BOLT		01
88	MS21044N3	. NUT		01
89	MS24665-287	. COTTER PIN		01
90	NAS43HT3-12	. SPACER —*—		01
- 91	0512172-1	. PULLEY BRACKET-UPPER MOUNTING 172	80001	81577 01
- 91A	0512172-1	. PULLEY BRACKET-UPPER MOUNTING 172S	08001	11087 01
- 92	0512172-3	. PULLEY BRACKET-LOWER MOUNTING 172	80001	81577 01
- 92A	0512172-3	. PULLEY BRACKET-LOWER MOUNTING 172S	08001	11087 01
- 93	0512253-1	. PULLEY BRACKET ASSY 172	81578	& ON 01
- 93A	0512253-1	. PULLEY BRACKET ASSY 172S	11088	& ON 01
94	0512172-1	. . PULLEY BRACKET-UPPER MOUNTING		01
95	0512253-2	. . PULLEY BRACKET-LOWER MOUNTING ATTACHING PARTS		01
96	AN520-10R6	. SCREW —*—		02

NOTE 1—CARBON STEEL CABLES AND STAINLESS STEEL CABLES CAN NOT BE USED TOGETHER

CESSNA AIRCRAFT COMPANY
MODEL 172 (SERIES 1996 AND ON)
 ILLUSTRATED PARTS CATALOG

B290



0510T1007
 A0564T1001
 B0564T1002
 C0564T1003

FLAP POSITION INDICATOR INSTALLATION
 FIGURE 02 (SHEET 1)

CESSNA AIRCRAFT COMPANY
MODEL 172 (SERIES 1996 AND ON)
ILLUSTRATED PARTS CATALOG

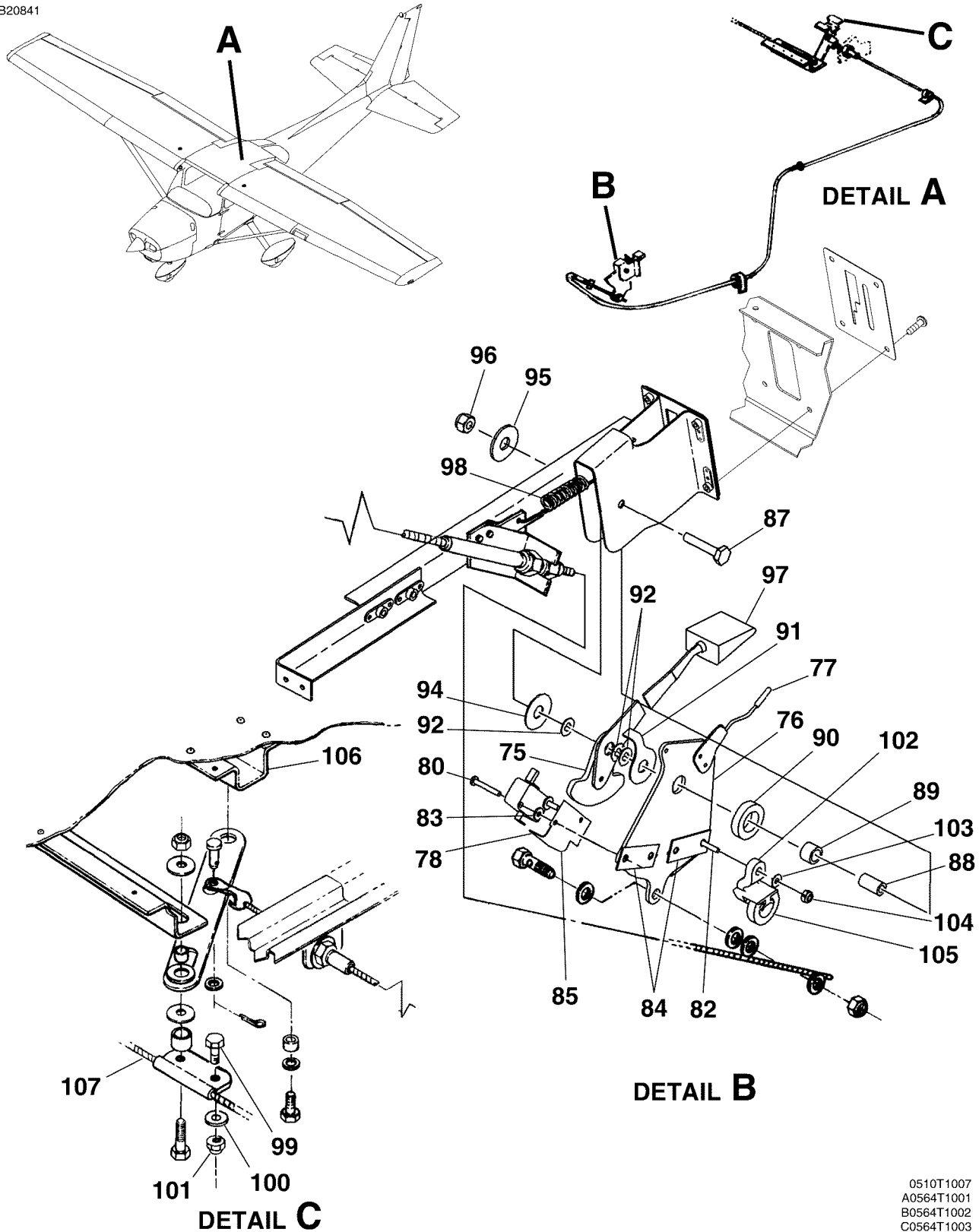
FIG ITEM	PART NUMBER	NOMENCLATURE	UNITS PER ASSY		
			1	2	3
02		FLAP POSITION INDICATOR INSTALLATION			RF
-		. CABLE ASSY			01
1	9864054-1	. LOCKWASHER			02
2	MS35333-42	. NUT			04 R
3	AS5178W03	. PIN			01
4	MS20392-2C7	. WASHER			01
5	NAS1149F0332P	. COTTER PIN			01
6	MS24665-132	. CLAMP			03
7	MS21919DG4	. CLAMP			01
- 8	MS21919WDG4	. SCREW			01
- 9	AN520-10R6	. CLAMP			01
10	S2323-5	. WASHER			03
11	NAS1149F0463P	. WASHER			01
12	NAS1149F0416P	. WASHER			01
13	MS21042L4	. NUT			01
14	0460217-1	. BELLCRANK			01
15	AN3-3A	. BOLT			01
16	NAS1149F0332P	. WASHER			01
17	NAS43HT3-6	. SPACER			01
18	0560029-1	. GUIDE-FLAP CABLE			01
19	0560037-1	. CLAMP			01
20	AN3-6A	. BOLT			01
21	NAS43HT5-9	. SPACER			01
22	S2389-2	. WASHER			01
23	S2202-1	. WASHER			01
24	NAS43HT3-24	. SPACER			01
25	S1450-3-10-032	. WASHER			01
26	MS21044N3	. NUT			01
27	0560025-6	. SUPPORT ASSY			01
28	0560060-1	. BRACKET			01
29	0560019-4	. BRACKET ASSY			01
30	MS21051L06	. NUTPLATE			04
31	0560027-9	. PLATE-DETENT .040 THICK			01 R
32	0560027-8	. COVER FSO 0560062-1 172 NOT USED ON G1000 AIRCRAFT REFER TO NOTE 1	80001	81441	NP R
- 32A	0560027-8	. COVER FSO 0560062-1 172S NOT USED ON G1000 AIRCRAFT REFER TO NOTE 1	08001	10595	NP R
- 32B	0560062-1	. COVER 172 NOT USED ON G1000 AIRCRAFT	81442	& ON	01 R
- 32C	0560062-1	. COVER 172S NOT USED ON G1000 AIRCRAFT ATTACHING PARTS	10596	& ON	NP R
33	NAS601-7B	. SCREW			04 R

NOTE 1—NOT USED ON G1000 AIRCRAFT WITH LED PANELS INSTALLED. REFER TO 33-10-02 FIGURE 01 FOR G1000 EQUIPPED AIRCRAFT WITH LED PANELS. R

- ITEM NOT ILLUSTRATED

CESSNA AIRCRAFT COMPANY
MODEL 172 (SERIES 1996 AND ON)
 ILLUSTRATED PARTS CATALOG

B20841



FLAP POSITION INDICATOR INSTALLATION
 FIGURE 02 (SHEET 2)

0510T1007
 A0564T1001
 B0564T1002
 C0564T1003

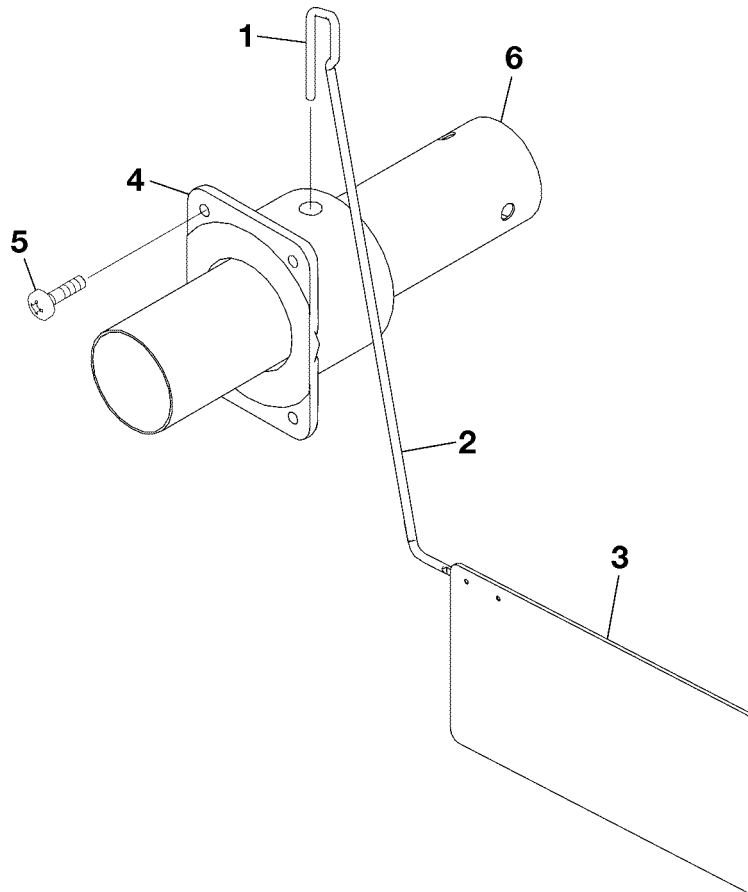
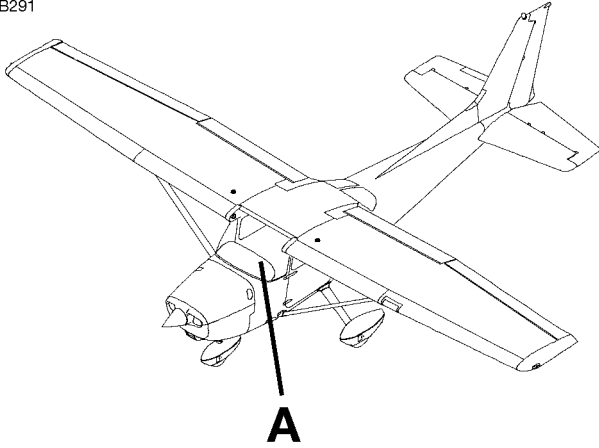
CESSNA AIRCRAFT COMPANY
MODEL 172 (SERIES 1996 AND ON)
ILLUSTRATED PARTS CATALOG

FIG ITEM	PART NUMBER	NOMENCLATURE	UNITS	
			PER	ASSY
02				
75	0560021-1	. LEVER ASSY		01
- 75A	0560021-5	. LEVER ASSY-NAV III 172	81273 & ON	01
- 75B	0560021-5	. LEVER ASSY-NAV III 172S	10103 & ON	01
76	0560022-8	. ARM ASSY		01
- 76A	0560022-9	. ARM ASSY-NAV III 172	81273 & ON	01
- 76B	0560022-9	. ARM ASSY-NAV III 172S	10103 & ON	01
77	S2445-1	. TIP		01
78	S1906-1	. SWITCH-INTEGRAL ROLLER S1007		02
- 79	S1906-1	. SWITCH-INTEGRAL ROLLER S1008		02
80	MS35206-219	. SCREW FWD SWITCH ATTACH		02
- 81	MS35206-219	. SCREW AFT SWITCH ATTACH		01
82	MS35206-221	. SCREW AFT SWITCH ATTACH		01
83	NAS1149DN432H	. WASHER SWITCH ATTACH		02
84	1512282-3	. PLATE ASSY		01
85	0470405-1	. INSULATOR-SWITCH FWD		01
- 86	0470405-2	. INSULATOR-SWITCH AFT		01
87	AN3-10A	. BOLT		01
88	NAS75-3-018	. BUSHING 172	80001 80888	01
- 88A	NAS75-3-018	. BUSHING 172S	08001 08478	01
- 88B	NAS75-3-019	. BUSHING 172	80889 & ON	01
- 88C	NAS75-3-019	. BUSHING 172S	08479 & ON	01
89	1512280-24	. BUSHING		01
90	S1438-9	. WASHER-FRICTION		01
91	0560017-1	. SPACER		01
92	S2389-2	. WASHER		AR
- 93	S2606-2	. MOUNT		03
94	S2202-4	. WASHER		01
95	NAS1149F0363P	. WASHER		01
96	MS21044N3	. NUT		01
97	S1771-3	. KNOB-CONTROL LEVER		01
98	0460216-1	. SPRING		01
99	NAS563-11	. BOLT		01
100	NAS1149F0332P	. WASHER		01
101	MS21083N3	. NUT REPLACES MS20364-1032		01
102	S4132-2	. MOUNT		01
103	NAS1149FN416P	. WASHER		01
104	MS21044N04	. NUT		01
105	MS3367-1-9	. STA-STRAP		01
106		. BRACKET ASSY-FLAP PRESELECT REFER TO 53-20-00 FIGURE 01		RF
107		. CABLE-FLAP RETRACT LH/DIRECT RH REFER TO 27-50-00 FIGURE 01		RF

- ITEM NOT ILLUSTRATED

CESSNA AIRCRAFT COMPANY
MODEL 172 (SERIES 1996 AND ON)
ILLUSTRATED PARTS CATALOG

B291



DETAIL A

CONTROL LOCK
FIGURE 01 (SHEET 1)

0510T1007
A0560T1016

CESSNA AIRCRAFT COMPANY
MODEL 172 (SERIES 1996 AND ON)
 ILLUSTRATED PARTS CATALOG

FIG ITEM	PART NUMBER	NOMENCLATURE	UNITS
			PER ASSY
01			
-		CONTROL LOCK	RF
1	0560026-5	. CONTROL LOCK ASSY	01
2	0560026-4	. . PIN	01
3	1260543-1	. . GUARD CONTROL	01
4	0760131-5	. LOCK COLLAR AND SUPPORT RH	01
- 4A	2460038-1	. SUPPORT-COLLAR LH	01
5	CM3558-6-12G1	. SCREW	04
6		. CONTROL YOKE INSTALLATION REFER TO 27-10-00 FIGURE 01	RF R

- ITEM NOT ILLUSTRATED

CHAPTER

28

FUEL

CESSNA AIRCRAFT COMPANY
MODEL 172 (SERIES 1996 AND ON)
ILLUSTRATED PARTS CATALOG

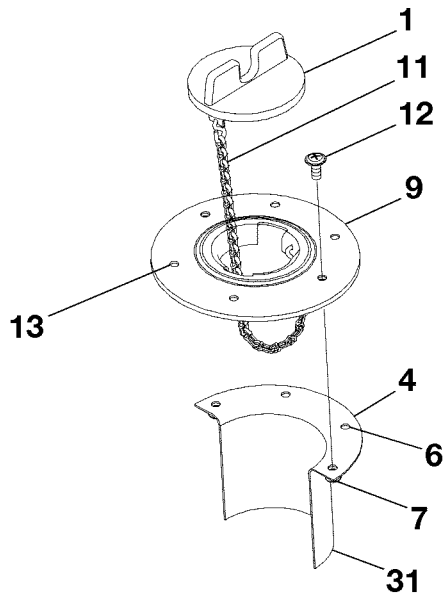
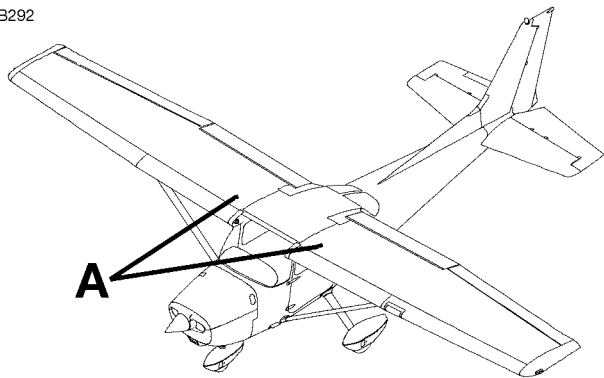
CHAPTER SECTION SUBJECT		NUMBER OF PAGES	DATE
28 - TITLE			
28 - LIST OF EFFECTIVE PAGES			
28 - RECORD OF TEMPORARY REVISIONS			
28 - TABLE OF CONTENTS			
28-10-01	Figure 01	2	Jul 1/2013
28-21-00	Figure 01	8	Jul 1/2016
28-21-00	Figure 02	2	Dec 1/2007
28-22-00	Figure 01	2	Jul 1/2015
28-22-00	Figure 02	2	Jul 1/2015
28-22-00	Figure 03	2	Jul 1/2013

CESSNA AIRCRAFT COMPANY
MODEL 172 (SERIES 1996 AND ON)
 ILLUSTRATED PARTS CATALOG

<u>SUBJECT</u>	<u>CHAPTER SECTION SUBJECT</u>	<u>FIGURE</u>	<u>EFFECTIVITY</u>	
			<u>START</u>	<u>END</u>
FUEL FILLER CAP INSTALLATION	28-10-01	01		
FUEL SYSTEM	28-21-00	01		
FUEL SELECTOR VALVE ASSEMBLY	28-21-00	02		
FUEL RESERVOIR INSTALLATION	28-22-00	01		
FUEL STRAINER ASSEMBLY	28-22-00	02		
FUEL INDICATING SYSTEM-SENDER	28-22-00	03		

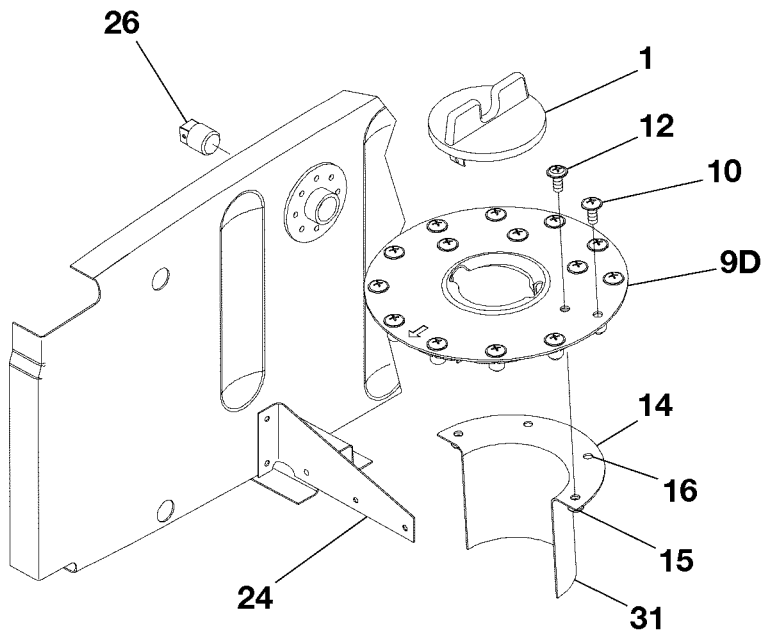
CESSNA AIRCRAFT COMPANY
MODEL 172 (SERIES 1996 AND ON)
 ILLUSTRATED PARTS CATALOG

B292



DETAIL A

AIRPLANES 17280001 THRU 17281535 AND
 AIRPLANES 172S08001 THRU 172S10770



DETAIL A

AIRPLANES 17281536 AND ON AND
 AIRPLANES 172S10771 AND ON

FUEL FILLER CAP INSTALLATION
 FIGURE 01 (SHEET 1)

0510T1007
 A0716T1005

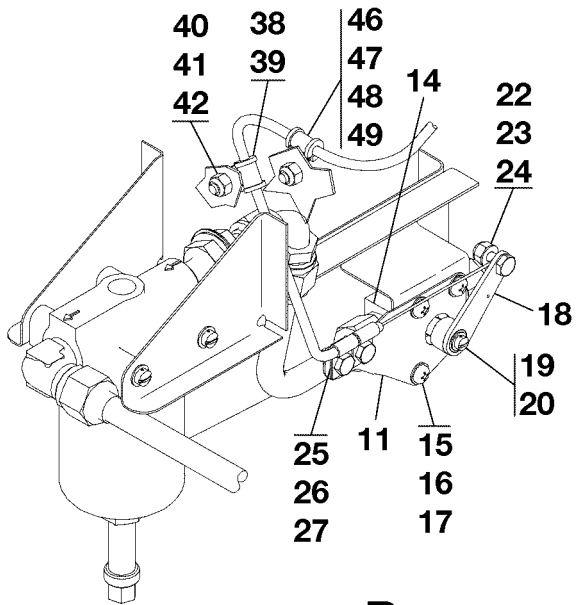
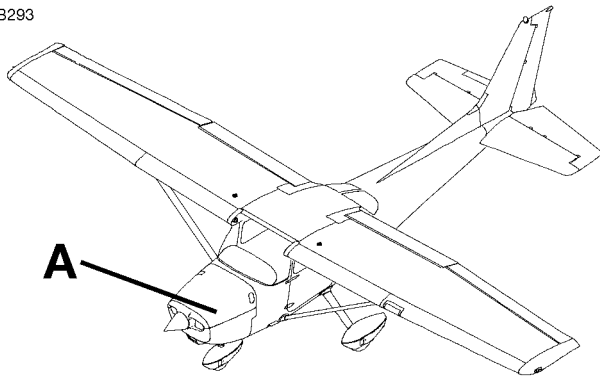
CESSNA AIRCRAFT COMPANY
MODEL 172 (SERIES 1996 AND ON)
ILLUSTRATED PARTS CATALOG

FIG ITEM	PART NUMBER	NOMENCLATURE	UNITS						
			PER	ASSY					
		1	2	3	4	5	6	7	
01		FUEL FILLER CAP INSTALLATION							RF
- 1	C156003-0101	. CAP ASSY-FUEL FILLER							01
- 2	B100143-1	. . SLIP RING							01
- 3	B100142-1	. . GASKET							01 R
4	0523101-1	. INDICATOR ASSY-LH FUEL FILLER 172	80001	81535					01 R
- 4A	0523101-1	. INDICATOR ASSY-LH FUEL FILLER 172S	08001	10770					01 R
- 5	0523101-1	. INDICATOR ASSY-RH FUEL FILLER							01 R
6	NAS680A3	. . NUTPLATE							02 R
7	NAS696A3	. . NUTPLATE							02 R
- 8	0523101-2	. . INDICATOR							01 R
9	0426011-6	. NECK ASSY-LH FUEL FILL 172	80001	81097					01 R
			81386	81535					
- 9A	0426011-6	. NECK ASSY-LH FUEL FILL 172S	08001	09062					01 R
			10481	10770					
- 9B	0426011-9	. NECK ASSY-LH AND RH FUEL FILL 172	81098	81385					02 R
- 9C	0426011-9	. NECK ASSY-LH AND RH FUEL FILL 172S	09063	10480					02 R
9D	0526015-1	. NECK ASSY-FUEL FILLER 172	81536	& ON					01 R
- 9E	0526015-1	. NECK ASSY-FUEL FILLER 172S	10771	& ON					01 R
- 9F	0426011-6	. NECK ASSY-RH FUEL FILL							01 R
		ATTACHING PARTS							
10	AN525-10R7	. SCREW 172	81356	& ON					12 R
- 10A	AN525-10R7	. SCREW 172S	10771	& ON					12 R
		—*—							
11	C156001-0104	. . CHAIN ASSY 172 FSO C100085-3	80001	81097					NP R
			81386	81496					
- 11A	C156001-0104	. . CHAIN ASSY 172S FSO C100085-3	08001	09770					NP R
			10481	& ON					
- 11B	C100085-3	. . CHAIN-SAFETY ASSY							01 R
12	AN525-10R7	. . SCREW							04 R
13	MS21047L3	. . NUTPLATE 172	80001	81535					03 R
- 13A	MS21047L3	. . NUTPLATE 172S	08001	10770					03 R
14	0523101-4	. . INDICATOR ASSY-LH AND RH FUEL FILLER 172	81536	& ON					02 R
- 14A	0523101-4	. . INDICATOR ASSY-LH AND RH FUEL FILLER 172S	10771	& ON					02 R
15	MS21071L3	. . NUTPLATE							02 R
16	NAS680A3	. . NUTPLATE							02 R
- 17	0523101-5	. . INDICATOR							01 R
- 18	0520126-1	. CHAIN ASSY-FUEL CAP PLASTIC 172	81099	81116					01 R
- 18A	0520126-1	. CHAIN ASSY-FUEL CAP PLASTIC 172S	09064	09114					01 R
- 19	B100148	. . CHAIN S HOOK							02 R
- 20	0520126-2	. . CHAIN-PLASTIC FUEL CAP							01 R
- 21	NAS1090-3	. CHAIN HOOK FSO B100148 172	81098	81098					02 R
- 21A	NAS1090-3	. CHAIN HOOK FSO B100148 172S	09063	09063					02 R
- 22	B100148	. CHAIN S HOOK 172	81117	81200					02 R
- 22A	B100148	. CHAIN S HOOK 172S	09115	09568					02 R
- 23	MS27380-3	. LANYARD-FUEL CAP 172	81098	81098					01 R
- 23A	MS27380-3	. LANYARD-FUEL CAP 172S	09063	09063					01 R
- 23B	MS27380-3	. LANYARD-FUEL CAP 172	81117	81200					01 R
- 23C	MS27380-3	. LANYARD-FUEL CAP 172S	08115	09568					01 R
24	0523102-5	. GUSSET							03 R
- 25	0523102-6	. GUSSET							03 R
26	MS20913-2D	. PLUG 172	81536	& ON					01 R
- 26A	MS20913-2D	. PLUG 172S	10771	& ON					01 R
- 27	S2107-1	. CUP-FUEL SAMPLER 172	80001	81356					01 R
- 27A	S2107-1	. CUP-FUEL SAMPLER 172S	08001	10423					01 R
- 28	0500838-1	. FUEL SAMPLER JAR ASSY 172	81357	& ON					01 R
- 28A	0500838-1	. FUEL SAMPLER JAR ASSY 172S	10424	& ON					01 R
- 29	0500838-2	. . CESSNA LOGO-FUEL JAR 172	81357	& ON					01 R
- 29A	0500838-2	. . CESSNA LOGO-FUEL JAR 172S	10424	& ON					01 R
- 30	GATS/12	. . GATS FUEL CUP 172	VAVSPC 81357	& ON					01 R
- 30A	GATS/12	. . GATS FUEL CUP 172S	VAVSPC 10424	& ON					01 R
31		. FUEL BAY REFER TO 57-10-02 FIGURE 01							RF R

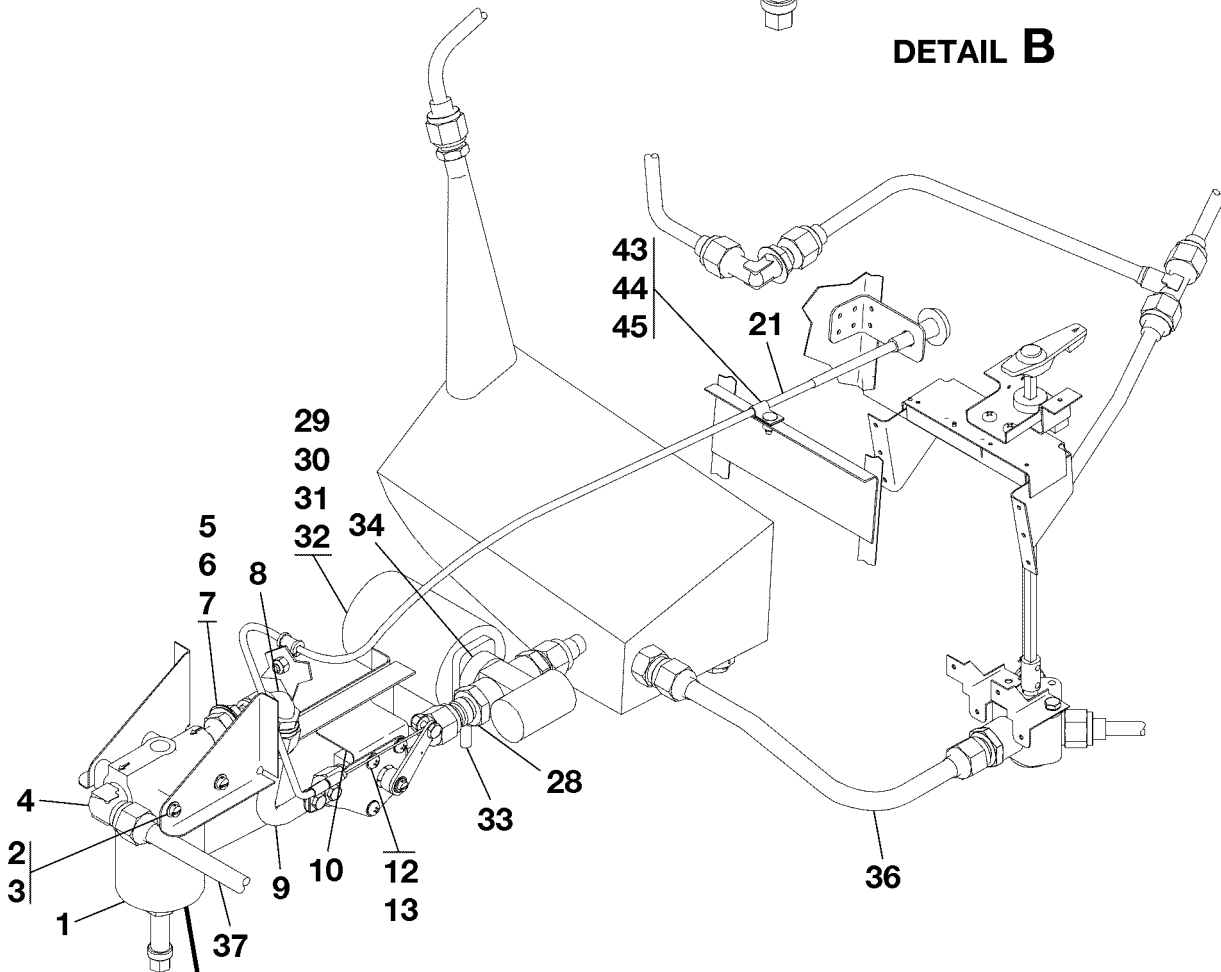
- ITEM NOT ILLUSTRATED

CESSNA AIRCRAFT COMPANY
MODEL 172 (SERIES 1996 AND ON)
 ILLUSTRATED PARTS CATALOG

B293



DETAIL B



DETAIL A

FUEL SYSTEM
 FIGURE 01 (SHEET 1)

0510T1007
 A0516T1005
 B0516T1005

CESSNA AIRCRAFT COMPANY

MODEL 172 (SERIES 1996 AND ON)

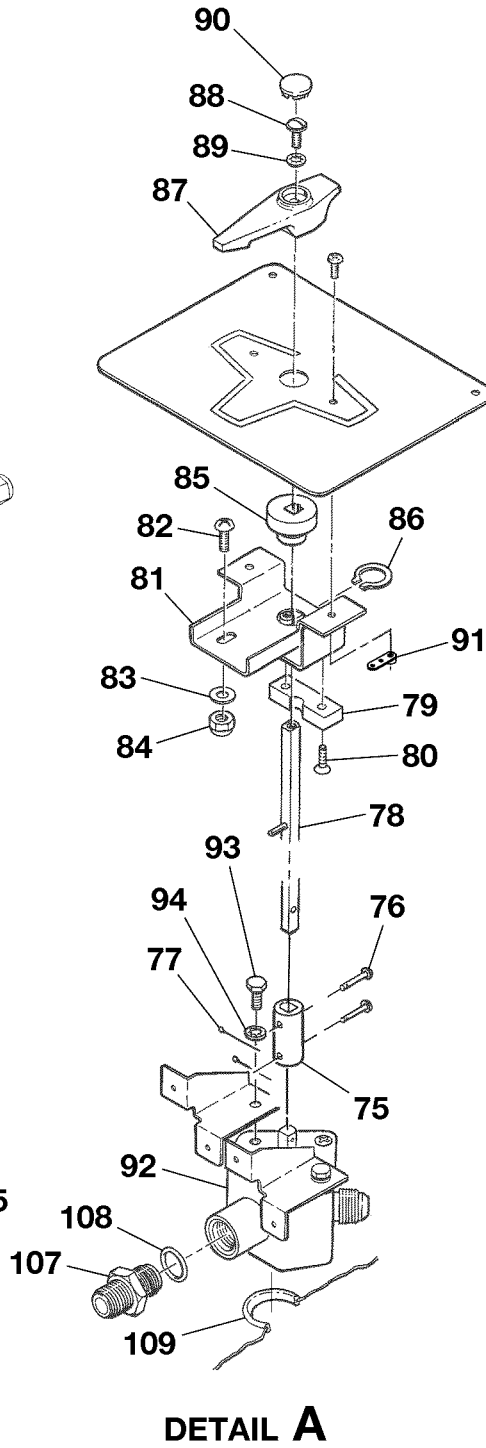
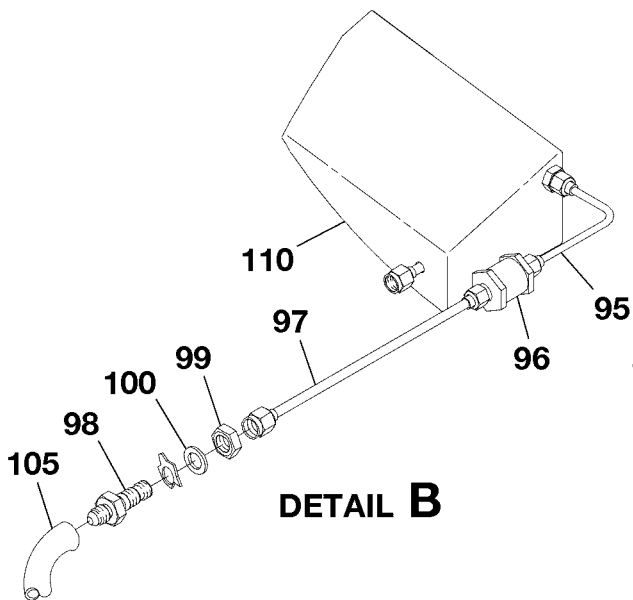
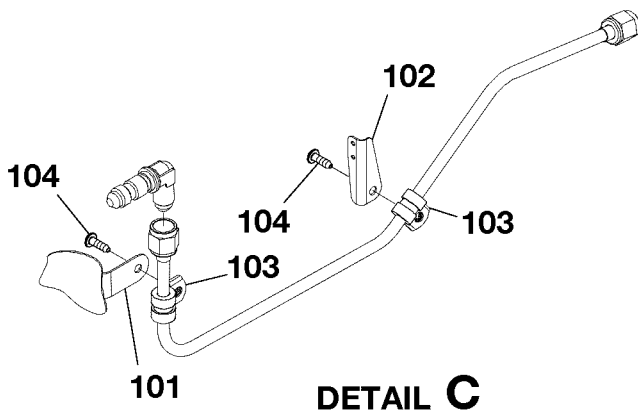
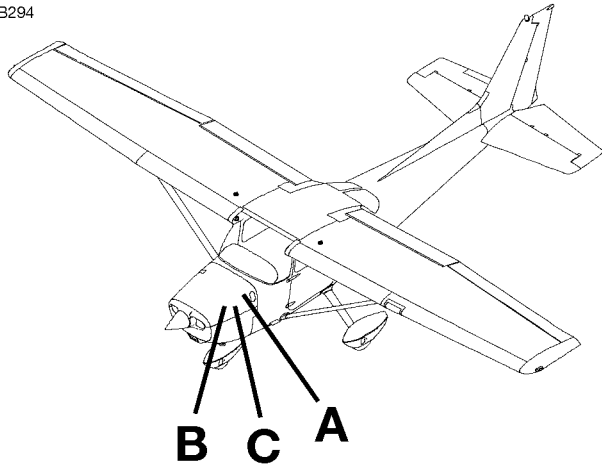
ILLUSTRATED PARTS CATALOG

FIG ITEM	PART NUMBER	NOMENCLATURE	UNITS PER ASSY	
			1 2 3 4 5 6 7	
01		FUEL SYSTEM		RF
-		. STRAINER ASSY-FUEL REFER TO 28-22-00 FIGURE 02		RF
1		. SCREW FUEL STRAINER ASSY ATTACH		04
2	AN503-10-8	. WASHER FUEL STRAINER ASSY ATTACH		04
3	NAS1149F0332P	. ELBOW		01
4	MS20822-6-6D	. FIREWALL FUEL FITTING FSO 259-2240-6-8	0001	81562 NP
5	0516029-1		0001	11012
- 5A	259-2240-6-8	. ADAPTER	81563	& ON 01
			11013	& ON
6	NAS1149C1232R	. WASHER		01
- 6A	NAS1149C1290R	. WASHER	81563	& ON 02
			11013	& ON
7	AS5178-08	. NUT		01 R
8	500454-8S	. ADAPTER-FLARE SWIVEL FUEL 172	V00624	80001 81226 01
- 8A	500454-8S	. ADAPTER-FLARE SWIVEL FUEL 172S	V00624	80001 09726 01
9	0500423-68	. FUEL LINE ASSY 172	80001	81226 01
- 9A	0500423-68	. FUEL LINE ASSY 172S	80001	09726 01
- 9B	0500423-76	. TUBE ASSY 172	81227	& ON 01
- 9C	0500423-76	. TUBE ASSY 172S	09727	& ON 01
10	0516030-4	. BRACKET ASSY		01
11	0516030-7	. SHUTOFF VALVE BRACKET		01
12	MS35207-263	. SCREW SHUTOFF VALVE BRACKET ATTACH		02
13	NAS1149F0332P	. WASHER SHUTOFF VALVE BRACKET ATTACH		02
14	S1903-2	. VALVE-FUEL		01
15	MS35207-263	. SCREW FUEL VALVE ATTACH		01
16	NAS1149F0332P	. WASHER FUEL VALVE ATTACH		01
17	MS21044N3	. NUT FUEL VALVE ATTACH		01
18	S2280-15-90	. ARM ASSY-FUEL CONTROL		01
19	AN503-8-6	. SCREW-FUEL CONTROL ARM ASSY ATTACH		01
20	NAS1149FN832P	. WASHER-FUEL CONTROL ARM ASSY ATTACH		01
21	S1533-9	. CONTROL ASSY-FUEL SHUTOFF VALVE		01
22	S2323-7	. CLAMP CONTROL ATTACH		01
23	NAS1149F0316P	. WASHER CONTROL ATTACH BETWEEN ARM AND CABLE		01
- 23A	NAS1149F0363P	. WASHER CONTROL ATTACH BETWEEN CABLE AND NUT		01
24	MS21044N3	. NUT		01
25	S2226-1	. CLAMP		02
26	AN3-3A	. BOLT-CLAMP ATTACH		01
27	MS21044N3	. NUT-CLAMP ATTACH		01
28	0500423-67	. FUEL LINE ASSY 172	80001	81226 01
- 28A	0500423-67	. FUEL LINE ASSY 172S	08001	09726 01
- 28B	8 HX6-S	. NUT-SWIVEL 172	81227	& ON 01
- 28C	8 HX6-S	. NUT-SWIVEL 172S	09727	& ON 01
29	5100-00-1	. FUEL PUMP AUX (ELEC) REFER TO WDM 172 FSO 5100-00-3	V09445	80001 80810 NP
- 29A	5100-00-1	. FUEL PUMP AUX (ELEC) REFER TO WDM 172S FSO 5100-00-3	V09445	08001 08316 NP
- 29B	5100-00-3	. FUEL PUMP AUX (ELEC) REFER TO WDM 172 FSO 5100-00-4	V09445	80811 80991 NP
- 29C	5100-00-3	. FUEL PUMP AUX (ELEC) REFER TO WDM 172S FSO 5100-00-4	V09445	08317 08722 NP
- 29D	5100-00-4	. FUEL PUMP AUX (ELEC) REFER TO WDM 172	V09445	80992 & ON 01
- 29E	5100-00-4	. FUEL PUMP AUX (ELEC) REFER TO WDM 172S	V09445	08723 & ON 01
- 29F	0516021-1	. BRACKET 172	80001	81226 01
- 29G	0516021-1	. BRACKET 172S	08001	09726 01
- 29H	0516021-2	. BRACKET 172	81227	& ON 01
- 29J	0516021-2	. BRACKET 172S	09727	& ON 01
30	NAS1924-91	. CLAMP-ALT S1891-40 , REPLACES AN737TW91		01
31	S2557-8D	. UNION		02
32	NAS1596-8	. O-RING		02
33	1216018-1	. VENT TUBE		01
34	MS35489-10	. GROMMET 172	81020	& ON 01
- 34A	MS35489-10	. GROMMET 172S	08786	& ON 01
- 34B	MS35489-9	. GROMMET 172	80001	81019 01
- 34C	MS35489-9	. GROMMET 172S	08001	08785 01
- 35		. DELETED-NOT USED		
36	0500423-66	. FUEL LINE ASSY		01
37	AE3663161G0164	. HOSE ASSY		01
38	MS21919WDG3	. CLAMP 172	81566	& ON 01
39	MS21919WDG3	. CLAMP 172S	11046	& ON 01
40	MS35207-264	. SCREW		01
41	MS21044N3	. NUT		01
42	NAS1149F0332P	. WASHER		01
43	S2226-1	. CLAMP		01
44	S1021Z8-8	. SCREW		01
45	S4215-4	. NUT		01
46	MS21919WDG3	. CLAMP		01
47	MS27039-1-07	. SCREW		01
48	MS21044N3	. NUT		01
49	NAS1149F0332P	. WASHER		01

- ITEM NOT ILLUSTRATED

CESSNA AIRCRAFT COMPANY
MODEL 172 (SERIES 1996 AND ON)
 ILLUSTRATED PARTS CATALOG

B294



FUEL SYSTEM
 FIGURE 01 (SHEET 2)

0510T1038
 A0510T1038
 B0510T1038
 C0510T1038

CESSNA AIRCRAFT COMPANY
MODEL 172 (SERIES 1996 AND ON)
ILLUSTRATED PARTS CATALOG

FIG ITEM	PART NUMBER	NOMENCLATURE	UNITS	
			PER	ASSY
01				
75	0516023-4	. FITTING		01
		. ATTACHING PARTS		
76	0516026-1	. PIN		02
77	MS24665-1	. COTTER PIN		02
		—*—		
78	0516024-9	. SHAFT ASSY		01
79	0516025-2	. STOP BLOCK		01
		. ATTACHING PARTS		
80	MS24693-S30	. SCREW		02
		—*—		
81	0513252-1	. SUPPORT ASSY		01
		. ATTACHING PARTS		
82	MS35207-263	. SCREW		02
83	NAS1149F0363P	. WASHER		02
84	MS21044N3	. NUT		02
		—*—		
85	0511195-1	. GUIDE		01
86	MS16624-1050	. LOCK RING		01
87	0716623-6	. HANDLE-FUEL SELECTOR FSO 0716623-8 172	80001 80982	NP
- 87A	0716623-6	. HANDLE-FUEL SELECTOR FSO 0716623-8 172S	08001 08699	NP
- 87B	0716623-8	. HANDLE-FUEL SELECTOR 172	80983 & ON	01
- 87C	0716623-8	. HANDLE-FUEL SELECTOR 172S	08700 & ON	01
		. ATTACHING PARTS		
88	AN525-832R6	. SCREW		01
89	MS35333-48	. WASHER-REPLACES AN936A8		01
		—*—		
90	0716624-2	. COVER		01
91	NAS696A06L	. NUTPLATE		02
92		. SELECTOR VALVE REFER TO 28-21-00 FIGURE 02		RF
		. ATTACHING PARTS		
93	AN3-4A	. BOLT		02
94	MS35333-39	. WASHER		02
		—*—		
95	0500118-53	. LINE ASSY 172 REFER TO NOTE 2	81188 & ON	01
- 95A	0500118-53	. LINE ASSY 172S REFER TO NOTE 2	09491 & ON	01
96	S2218-4	. VALVE 172 REFER TO NOTE 2 AND NOTE 4	81188 & ON	01
- 96A	S2218-4	. VALVE 172S REFER TO NOTE 2 AND NOTE 4	09491 & ON	01
97	0500118-49	. LINE ASSY 172 REFER TO NOTE 3	81188 81572	01
- 97A	0500118-49	. LINE ASSY 172S REFER TO NOTE 3	09491 11073	01
- 97B	0516031-1	. TUBE ASSY 172 REFER TO NOTE 4	81573 & ON	01
- 97C	0516031-1	. TUBE ASSY 172S REFER TO NOTE 4	11074 & ON	01
98	AN832-4	. UNION 172 REFER TO NOTE 3	81188 81572	01
- 98A	AN832-4	. UNION 172S REFER TO NOTE 3	09491 11073	01
- 98B	AN833-4	. ELBOW 172	81573 & ON	01
- 98C	AN833-4	. ELBOW 172S	11074 & ON	01
99	AS5178-04	. NUT 172 REFER TO NOTE 2	81188 & ON	01 R
- 99A	AS5178-04	. NUT 172S REFER TO NOTE 2	09491 & ON	01 R
100	NAS1149F0932P	. WASHER 172 REFER TO NOTE 2	81188 & ON	01
- 100A	NAS1149F0932P	. WASHER 172S REFER TO NOTE 2	09491 & ON	01
101	0516032-1	. BRACKET 172 REFER TO NOTE 4	81617 & ON	01
- 101A	0516032-1	. BRACKET 172S REFER TO NOTE 4	11194 & ON	01
102	0516032-2	. BRACKET 172 REFER TO NOTE 4	81617 & ON	01
- 102A	0516032-2	. BRACKET 172S REFER TO NOTE 4	11194 & ON	01
103	S1486DG4U	. CLAMP 172 REFER TO NOTE 4	81617 & ON	02
- 103A	S1486DG4U	. CLAMP 172S REFER TO NOTE 4	11194 & ON	02
		. ATTACHING PARTS		
104	S1021Z8-8	. SCREW REFER TO NOTE 4		02
		—*—		
105	AE3663163E0240	. HOSE ASSY 172	V00624 81188	& ON 01
- 105A	AE3663163E0240	. HOSE ASSY 172S	V00624 09491	& ON 01
- 106	02G22973	. FITTING REFER TO NOTE 1		01
107	AS5174D0808	. UNION		01
108	NAS1596-8	. O-RING		01
109	MS35489-16	. GROMMET		01
110		. FUEL RESERVOIR REFER TO 28-22-00 FIGURE 01		RF

NOTE 1—PART SUPPLIED LOOSE WITH ENGINE.

NOTE 2—AIRPLANES 17281188 AND ON AND AIRPLANES 172S09491 AND ON AND AIRPLANES 17280001 THRU 17281187 AND AIRPLANES 172S8001 THRU 172S9490 INCORPORATING MK172-28-01.

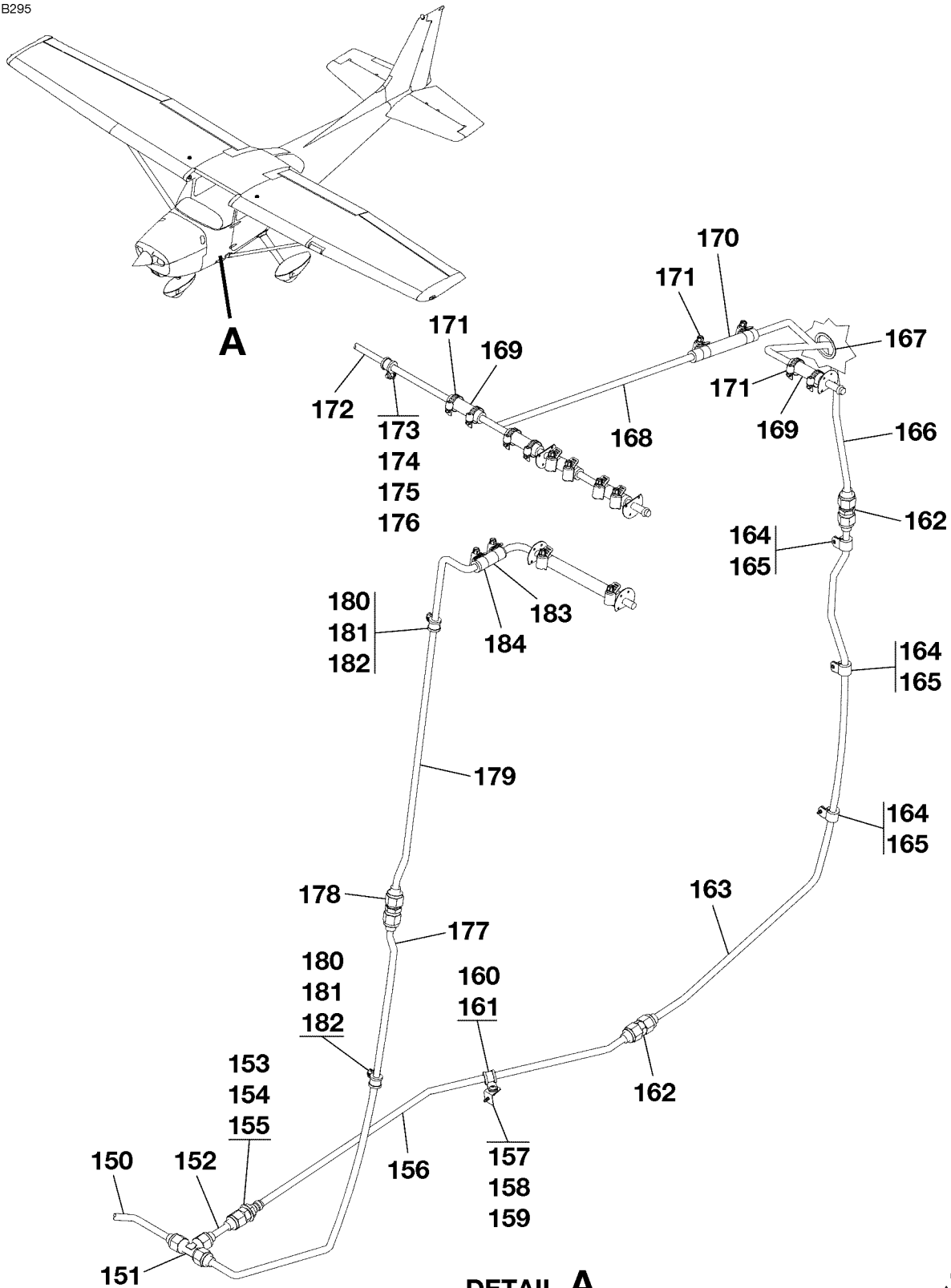
NOTE 3—AIRPLANES 17281188 THRU 17281572 AND AIRPLANES 172S09491 THRU 172S11073 AND AIRPLANES 17280001 THRU 17281187 AND AIRPLANES 172S8001 THRU 172S9490 INCORPORATING MK172-28-01.

NOTE 4—AIRPLANES 17281617 AND ON AND AIRPLANES 172S11194 AND ON AND AIRPLANES 17281573 THRU 17281616 AND AIRPLANES 172S11074 THRU 172S11193 INCORPORATING SEB-28-01.

- ITEM NOT ILLUSTRATED

CESSNA AIRCRAFT COMPANY
MODEL 172 (SERIES 1996 AND ON)
 ILLUSTRATED PARTS CATALOG

B295



DETAIL A
 FUEL SYSTEM
 FIGURE 01 (SHEET 3)

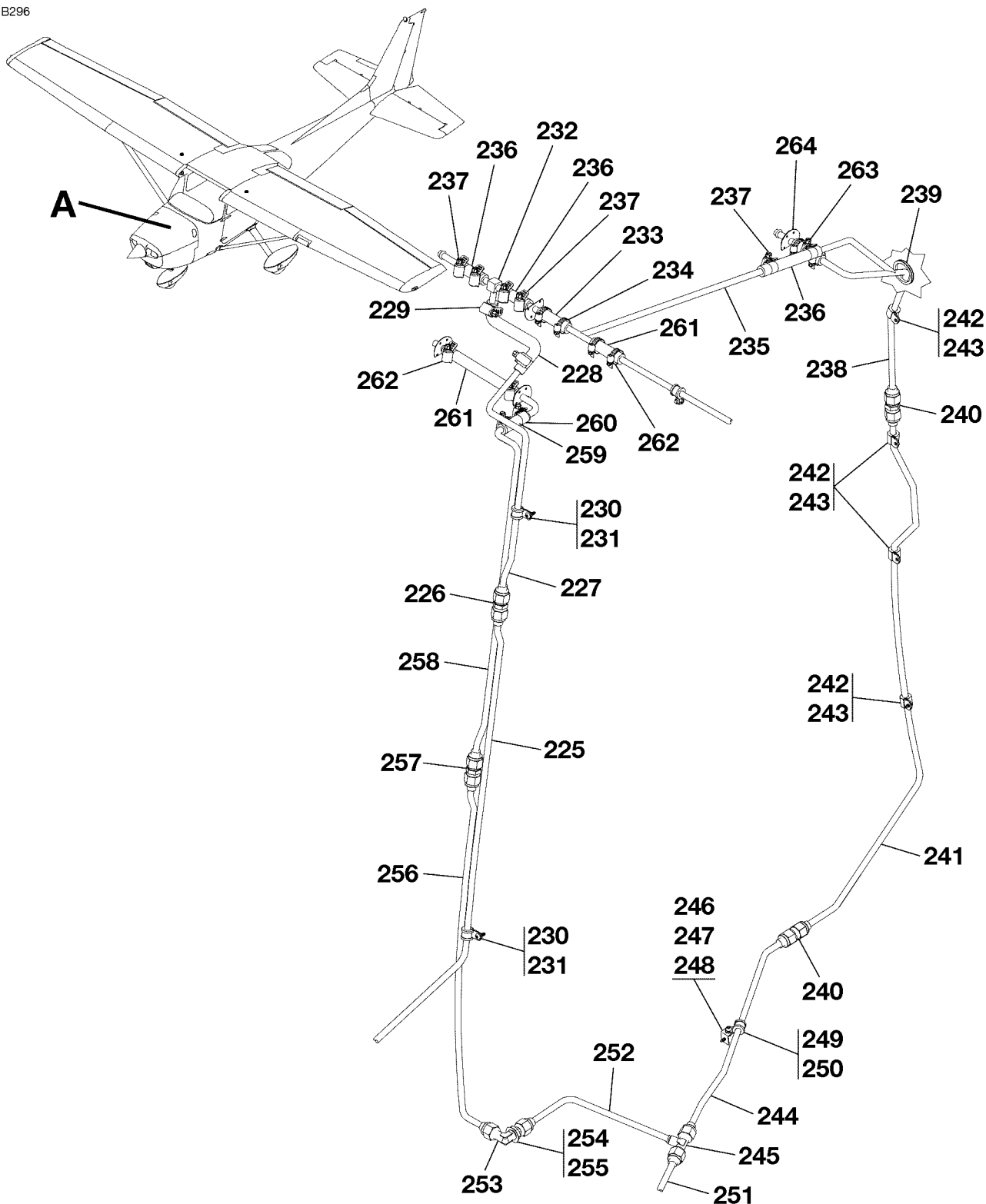
0510T1007
 A0516T1005

CESSNA AIRCRAFT COMPANY
MODEL 172 (SERIES 1996 AND ON)
ILLUSTRATED PARTS CATALOG

FIG ITEM	PART NUMBER	NOMENCLATURE	UNITS
			PER ASSY
01			
150	0500423-53	. FUEL LINE ASSY LH	01
151	AN824-6D	. TEE	01
152	0500423-52	. FUEL LINE ASSY LH	01
153	AN832-6D	. UNION	01
154	NAS1149F0932P	. WASHER	01
155	AN924-6D	. NUT	01
156	0500423-51	. LINE ASSY-FUEL LH	01
157	S1154-3	. BRACKET ATTACHING PARTS	01
158	S1021Z8-6	. SCREW	01
159	S4215-4	. NUT —*—	01
160	MS21919DG6	. CLAMP ATTACHING PARTS	01
161	S1021Z8-8	. SCREW —*—	01
162	AS5174D0606	. UNION	02
163	0500118-116	. FUEL LINE ASSY LH	01
164	S1486DG6U	. CLAMP ATTACHING PARTS	03
165	S1021Z8-8	. SCREW —*—	01
166	0516016-9	. LINE ASSY-FUEL LH	01
167	S1050-2	. GROMMET 3.70 IN LG BKI	AR
168	0516016-21	. LINE ASSY-VENT LH	01
169	S1495-6	. HOSE 6.50 IN LG BKI	AR
170	S1495-6	. HOSE 3.00 IN LG BKI ATTACHING PARTS	AR
171	S2357-3	. CLAMP —*—	02
172	2400010-45	. LINE ASSY-VENT LH	01
173	MS21919DG6	. CLAMP ATTACHING PARTS	02
174	MS35207-263	. SCREW	01
175	NAS1149F0363P	. WASHER	01
176	MS21044N3	. NUT —*—	01
177	0500423-57	. TUBE ASSY-FUEL LH	01
178	AS5174D0606	. UNION	01
179	2400010-25	. LINE ASSY-FUEL LH	01
180	MS21919DG6	. CLAMP ATTACHING PARTS	02
181	NAS43DD3-8FC	. SPACER	01
- 181A	NAS43DD3-8N	. SPACER ALT FOR NAS43DD3-8FC	01
182	S1021Z8-10	. SCREW —*—	01
183	S1495-6	. HOSE 4.00 IN LG BKI ATTACHING PARTS	AR
184	S1891-6H	. CLAMP REPLACES S1891-6 —*—	02
- 185		. FUEL BAY REFER TO 57-10-02 FIGURE 01	RF

CESSNA AIRCRAFT COMPANY
MODEL 172 (SERIES 1996 AND ON)
ILLUSTRATED PARTS CATALOG

B296



DETAIL A

FUEL SYSTEM
FIGURE 01 (SHEET 4)

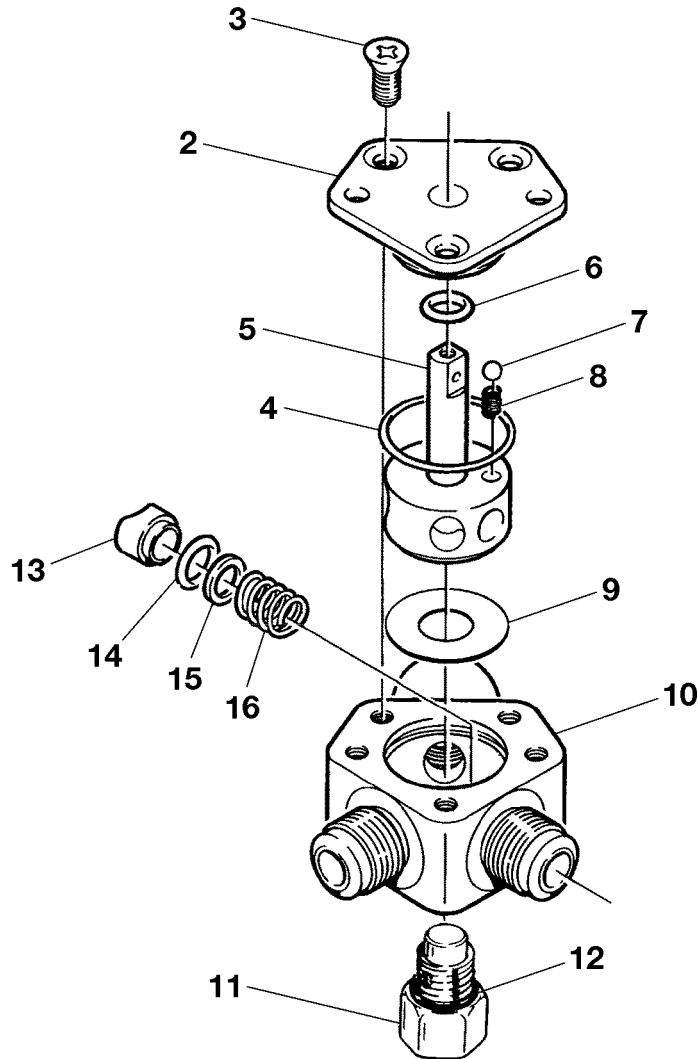
0510T1007
A0516T1005

CESSNA AIRCRAFT COMPANY
MODEL 172 (SERIES 1996 AND ON)
ILLUSTRATED PARTS CATALOG

FIG ITEM	PART NUMBER	NOMENCLATURE	UNITS	
			PER	ASSY
		1 2 3 4 5 6 7		
01				
225	0500423-69	. RESERVIOR VENT LINE ASSY RH		01
226	AS5174D0606	. UNION		01
227	0500423-70	. RESERVIOR VENT LINE ASSY RH		01
228	S1495-6	. HOSE 16.00 IN LG BKI ATTACHING PARTS		AR
229	S1891-6H	. CLAMP REPLACES S1891-6 —*—		02
230	MS21919DG6	. CLAMP 172	80001 81564	04
- 230A	MS21919DG6	. CLAMP 172S	08001 11044	04
- 230B	MS21919DG6	. CLAMP 172	81565 & ON	02
- 230C	MS21919DG6	. CLAMP 172S	11045 & ON	02
- 230D	S1486DG6U	. CLAMP 172	81565 & ON	02
- 230E	S1486DG6U	. CLAMP 172S ATTACHING PARTS	11045 & ON	02
231	S1021Z8-10	. SCREW —*—		01
232	S3017-6-6-6	. TEE		01
233	S1495-6	. HOSE 2.50 IN LG BKI ATTACHING PARTS		AR
234	S1891-6H	. CLAMP REPLACES S1891-6 —*—		02
235	0516016-20	. VENT LINE ASSY RH		01
236	S1495-6	. HOSE 3.00 IN LG BKI ATTACHING PARTS		AR
237	S1891-6H	. CLAMP REPLACES S1891-6 —*—		02
238	0516016-10	. FUEL LINE ASSY RH		01
239	S1050-2	. GROMMET 3.70 IN LG BKI		01
240	AS5174D0606	. UNION		01
241	0500118-117	. FUEL LINE ASSY RH		01
242	S1486DG6U	. CLAMP ATTACHING PARTS		04
243	S1021Z8-8	. SCREW —*—		01
244	0500423-6	. FUEL LINE ASSY-DRAIN RH		01
245	AN824-6D	. TEE		01
246	S1154-3	. BRACKET ATTACHING PARTS		01
247	S1021Z8-6	. SCREW		01
248	NAS446-4-1	. NUT —*—		01
249	S1486DG6U	. CLAMP ATTACHING PARTS		01
250	S1021Z8-8	. SCREW —*—		01
251	0500423-50	. FUEL LINE ASSY RH		01
252	0500423-10	. FUEL LINE ASSY RH		01
253	AN837-6D	. ELBOW		01
254	NAS1149F0932P	. WASHER		01
255	AN924-6D	. NUT		01
256	0500423-30	. LINE ASSY-FUEL RH		01
257	AS5174D0606	. UNION		01
258	2400010-26	. LINE ASSY-FUEL RH		01
259	S1495-6	. HOSE 6.50 IN LG BKI ATTACHING PARTS		AR
260	S1891-6H	. CLAMP REPLACES S1981-6 —*—		02
261	S1495-6	. HOSE 4.00 IN LG BKI ATTACHING PARTS		01
262	S1891-6H	. CLAMP REPLACES S1981-6 —*—		02
263	S1495-6	. HOSE BKI ATTACHING PARTS		01
264	S2357-3	. CLAMP —*—		01

CESSNA AIRCRAFT COMPANY
MODEL 172 (SERIES 1996 AND ON)
ILLUSTRATED PARTS CATALOG

B297



0516R1003

FUEL SELECTOR VALVE ASSEMBLY
FIGURE 02 (SHEET 1)

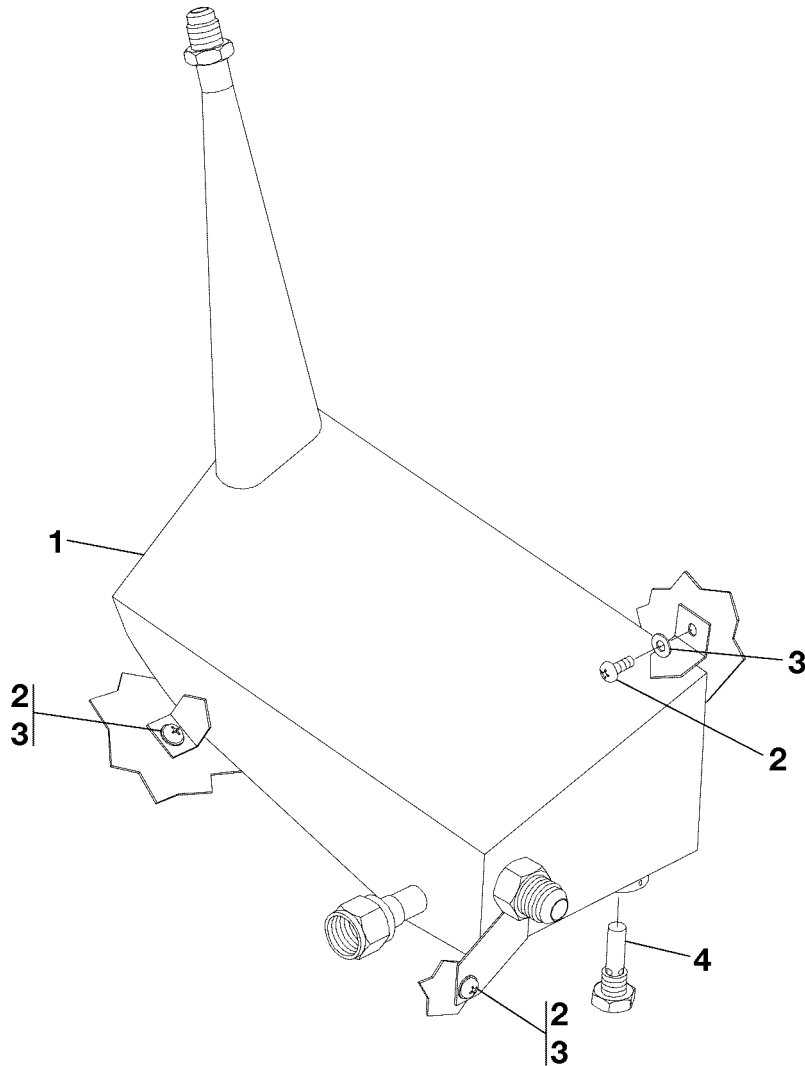
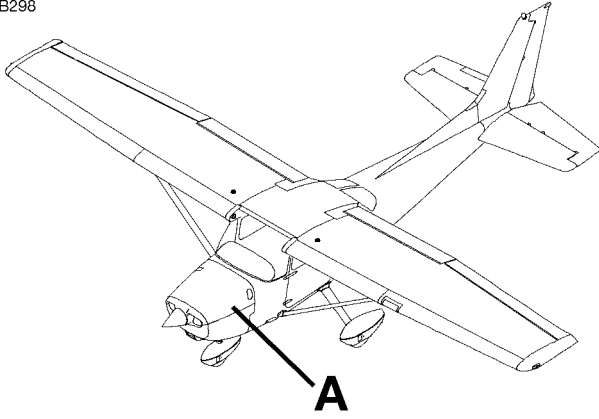
CESSNA AIRCRAFT COMPANY
MODEL 172 (SERIES 1996 AND ON)
 ILLUSTRATED PARTS CATALOG

FIG ITEM	PART NUMBER	NOMENCLATURE	UNITS
			PER ASSY
02		FUEL SELECTOR VALVE ASSEMBLY	RF
- 1	9851096-5	. VALVE ASSY-FUEL SELECTOR	01
2	9851066-2	. . COVER	01
		ATTACHING PARTS	
3	MS24693-S271	. . SCREW	03 R
4	M83248/1-024	. . O-RING	01
5	9851094-2	. . ROTOR	01
6	M83248/1-011	. . O-RING	01
7	S272-205	. . BALL	01
8	1216110-5	. . SPRING	01
9	S1358-2	. . WASHER	01
10	9851095-2	. . BODY REPLACES 9851095-1	01
11	S2485-1	. . VALVE ASSY-FUEL DRAIN	01
12	M83248/1-011	. . O-RING	01
13	9851097-1	. . SEAL	02
14	NAS1593-012	. . O-RING	02
15	S2385-5	. . WASHER	02
16	LC045G01MMS	. . SPRING FSO S2951-94 V84830	NP R
- 16A	S2951-94	. . SPRING	02 R
- 17		. FUEL SYSTEM REFER TO 28-21-00 FIGURE 01	RF
- 18		. HANDLE REFER TO 28-21-00 FIGURE 01	RF

- ITEM NOT ILLUSTRATED

CESSNA AIRCRAFT COMPANY
MODEL 172 (SERIES 1996 AND ON)
ILLUSTRATED PARTS CATALOG

B298



FUEL RESERVOIR INSTALLATION
FIGURE 01 (SHEET 1)

0510T1007
A0516T1004

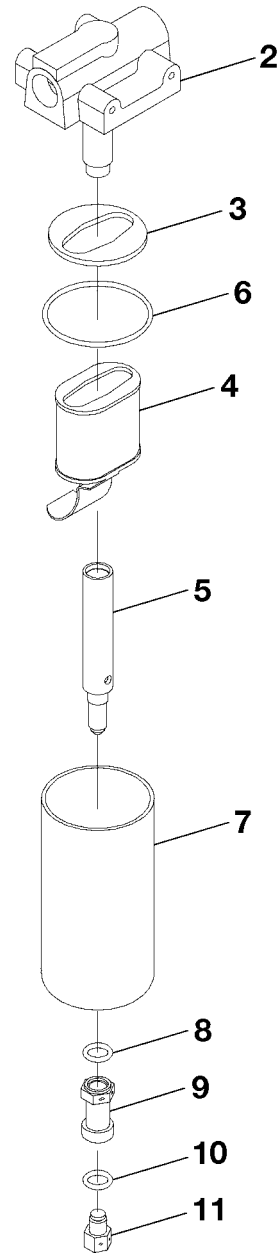
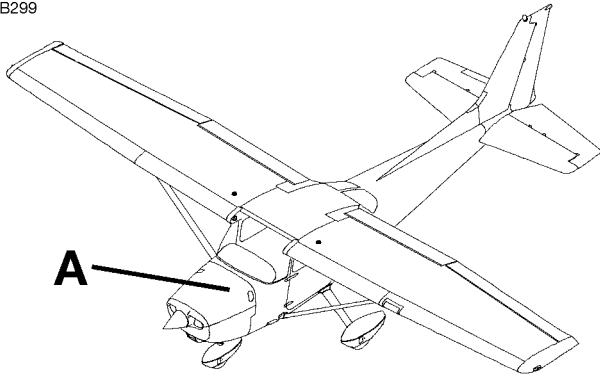
CESSNA AIRCRAFT COMPANY
MODEL 172 (SERIES 1996 AND ON)
 ILLUSTRATED PARTS CATALOG

FIG ITEM	PART NUMBER	NOMENCLATURE	UNITS PER ASSY	
			1 2 3 4 5 6 7	
01		FUEL RESERVOIR INSTALLATION		RF
-				
1	0516009-18	. FUEL RESERVOIR ASSY 172	80001 81187	01
- 1A	0516009-18	. FUEL RESERVOIR ASSY 172S	08001 09490	01
- 1B	0516009-24	. FUEL RESERVOIR ASSY 172	81188 & ON	01
- 1C	0516009-24	. FUEL RESERVOIR ASSY 172S	09491 & ON	01
		ATTACHING PARTS		
2	MS35207-263	. SCREW		03
3	NAS1149F0332P	. WASHER		03
		—*—		
4	S2106-2	. . VALVE-FUEL RESERVOIR DRAIN FSO		NP R
- 4A	S2106-4	. . VALVE-FUEL RESERVOIR DRAIN		01 R
- 5		. FUEL SYSTEM REFER TO 28-21-00 FIGURE 01		RF
- 6		. FUEL BAY REFER TO 57-10-02 FIGURE 01		RF

- ITEM NOT ILLUSTRATED

CESSNA AIRCRAFT COMPANY
MODEL 172 (SERIES 1996 AND ON)
ILLUSTRATED PARTS CATALOG

B299



DETAIL A

FUEL STRAINER ASSEMBLY
FIGURE 02 (SHEET 1)

0510T1007
A0516T1010

CESSNA AIRCRAFT COMPANY
MODEL 172 (SERIES 1996 AND ON)
 ILLUSTRATED PARTS CATALOG

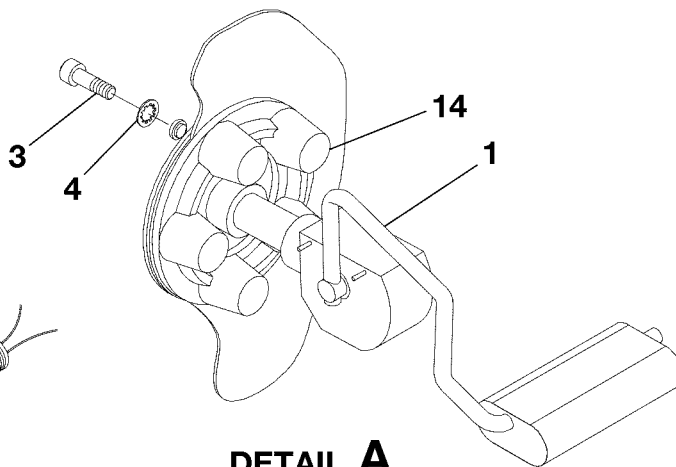
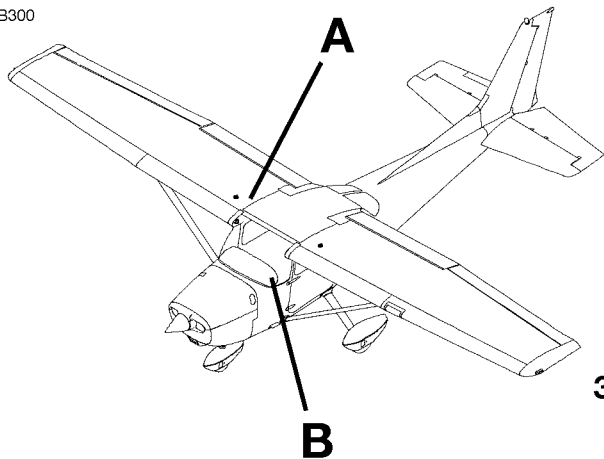
FIG ITEM	PART NUMBER	NOMENCLATURE	UNITS
			PER ASSY
02		FUEL STRAINER ASSEMBLY	RF
- 1	0756039-10	. STRAINER ASSY-FUEL	01
2	0756039-6	. . TOP ASSY	01
3	0756041-1	. . . GASKET-WHITE REFER TO NOTE 2	01
- 3A	0756041-1	. . . GASKET-BLACK REFER TO NOTE 1	01
4	0756038-1	. . FILTER ASSY-FUEL STRAINER	01
5	0756036-5	. . STANDPIPE	01
6	M83248/1-138	. . O-RING	01
7	0756037-1	. . BOWL	01
8	M83248/1-111	. . O-RING	01
9	2526028-3	. . NUT-EXTENSION	01
10	M83248/1-011	. . O-RING	01
11	S2485-1	. . VALVE ASSY-FUEL STRAINER DRAIN FSO S2485-2	NP R
- 11A	S2485-2	. . VALVE ASSY-FUEL STRAINER DRAIN	01 R
- 12		. FUEL SYSTEM REFER TO 28-21-00 FIGURE 01	RF

NOTE 1—AIRPLANES 17281206 THRU 17281217 AND 172S9602 THRU 172S9645 AND AIRPLANES 17280001 THRU 17281232 AND 172S8001 THRU 172S9773 INCORPORATING SB05-28-01

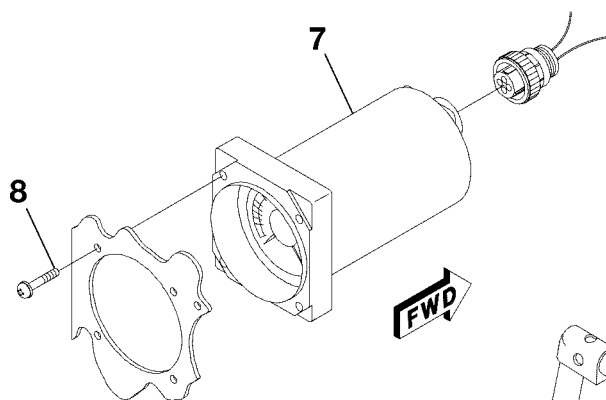
NOTE 2—ALL WHITE GASKETS SHOULD BE REPLACED IN ACCORDANCE WITH SB05-28-01

CESSNA AIRCRAFT COMPANY
MODEL 172 (SERIES 1996 AND ON)
 ILLUSTRATED PARTS CATALOG

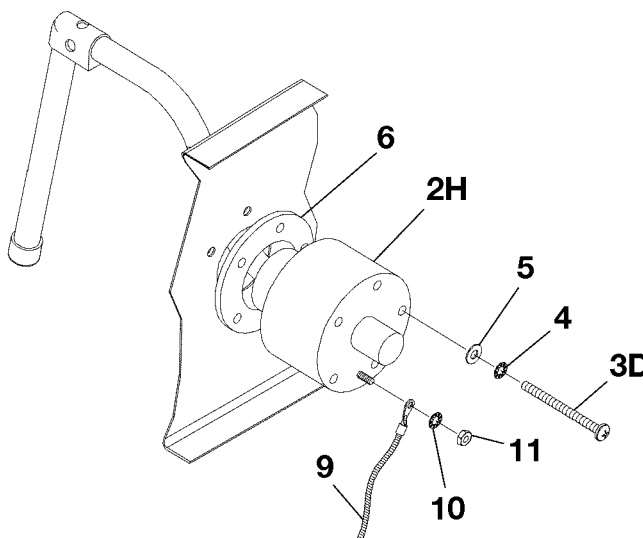
B300



DETAIL A
 RIGHT SIDE SHOWN
 LEFT SIDE OPPOSITE
 FLOAT TYPE



DETAIL B



DETAIL A
 RIGHT SIDE SHOWN
 LEFT SIDE OPPOSITE
 CAN BUS TYPE

FUEL INDICATING SYSTEM-SENDER
 FIGURE 03 (SHEET 1)

0510T1007
 A0526T1007
 A0526T1019
 B0518T1050

CESSNA AIRCRAFT COMPANY
MODEL 172 (SERIES 1996 AND ON)
ILLUSTRATED PARTS CATALOG

FIG ITEM	PART NUMBER	NOMENCLATURE	UNITS PER ASSY
	1 2 3 4 5 6 7		
03		FUEL INDICATING SYSTEM-SENDER	RF
- 1	S3331-1	. FUEL LEVEL SENDER-RH FSO S3594-2 172	80001 80958 NP
- 1A	S3331-1	. FUEL LEVEL SENDER-RH FSO S3594-2 172S	08001 08615 NP
- 1B	S3331-2	. FUEL LEVEL SENDER-LH FSO S3594-1 172	80001 80958 NP
- 1C	S3331-2	. FUEL LEVEL SENDER-LH FSO S3594-1 172S	08001 08615 NP
- 2	S3594-2	. FUEL LEVEL SENDER-RH FSO S3852-2 172	80959 81210 NP
- 2A	S3594-2	. FUEL LEVEL SENDER-RH FSO S3852-2 172S	08616 09618 NP
- 2B	S3594-1	. FUEL LEVEL SENDER-LH FSO S3852-1 172	80959 81210 NP
- 2C	S3594-1	. FUEL LEVEL SENDER-LH FSO S3852-1 172S	08616 09618 NP
- 2D	S3852-2	. FUEL LEVEL SENDER-RH 172	81211 81496 01
- 2E	S3852-2	. FUEL LEVEL SENDER-RH 172S	09619 10655 01
- 2F	S3852-1	. FUEL LEVEL SENDER-LH 172	81211 81496 01
- 2G	S3852-1	. FUEL LEVEL SENDER-LH 172S	09619 10655 01
2H	76-207-3	. FUEL LEVEL SENSOR-LH AND RH 172 NAV III ONLY FSO S3100-583 . . . V58880	81497 81535 NP R
- 2J	76-207-3	. FUEL LEVEL SENSOR-LH AND RH 172S NAV III ONLY FSO S3100-583 . . . V58880	10656 10770 NP R
- 2K	S3100-505	. FUEL LEVEL SENSOR-LH AND RH 172 NAV III ONLY FSO S3100-583 . . .	81536 81602 NP R
- 2L	S3100-505	. FUEL LEVEL SENSOR-LH AND RH 172S NAV III ONLY FSO S3100-583 . . .	10771 11152 NP R
- 2M	76-207-13	. FUEL LEVEL SENSOR-LH AND RH 172 NAV III ONLY FSO S3100-583 . . . V58880	81603 81611 NP R
- 2N	76-207-13	. FUEL LEVEL SENSOR-LH AND RH 172S NAV III ONLY FSO S3100-583 . . . V58880	11153 11183 NP R
- 2P	S3100-583	. FUEL LEVEL SENSOR-LH AND RH 172 NAV III ONLY	81612 & ON 02 R
- 2Q	S3100-583	. FUEL LEVEL SENSOR-LH AND RH 172S NAV III ONLY	11184 & ON 02 R
		ATTACHING PARTS	
3	NAS1352-3-10	. SCREW 172	80001 81496 05
- 3A	NAS1352-3-10	. SCREW 172S	08001 10655 05
- 3B	NAS1352-3-8	. SCREW 172	80959 81496 05
- 3C	NAS1352-3-8	. SCREW 172S	08616 10655 05
3D	MS35206-272	. SCREW 172	81497 & ON 05
- 3E	MS35206-272	. SCREW 172S	10656 & ON 05
4	MS35333-39	. WASHER	05 R
5	NAS1149F0332P	. WASHER 172	80889 & ON 05 R
- 5A	NAS1149F0332P	. WASHER 172S	08452 & ON 05 R
		—*—	
6	S2670-1	. GASKET V09393	01 R
7	S3281-2	. INDICATOR-DUAL FUEL QUANTITY E1011	01 R
		ATTACHING PARTS	
8	S3484-6-12G1	. SCREW	04 R
		—*—	
9	MS25083-2AB8	. JUMPER ASSY 172	81497 & ON 01 R
- 9A	MS25083-2AB8	. JUMPER ASSY 172S	10656 & ON 01 R
		ATTACHING PARTS	
10	MS35333-71	. LOCK WASHER	01 R
11	MS35649-264	. NUT	01 R
		—*—	
- 12	3929163-1	. CABLE ASSY-FUEL QUANTITY 172	81497 & ON 01 R
- 12A	3929163-1	. CABLE ASSY-FUEL QUANTITY 172S	10656 & ON 01 R
- 13	S2606-1	. ANCHOR 172	81497 & ON 20 R
- 13A	S2606-1	. ANCHOR 172S	10656 & ON 20 R
14		. NUT RING REFER TO 57-10-02 FIGURE 01	RF R
- 15		. WBA FUEL SYSTEM-FUSELAGE REFER TO WDM	RF R
- 16		. FUEL BAY REFER TO 57-10-02 FIGURE 01	RF R
- 17		. FUEL SYSTEM REFER TO 28-21-00 FIGURE 01	RF R
- 18		. FUEL FLOW REFER TO 77-20-00 FIGURE 01	RF R

CHAPTER

31

**INDICATING/
RECORDING
SYSTEMS**

CESSNA AIRCRAFT COMPANY
MODEL 172 (SERIES 1996 AND ON)
 ILLUSTRATED PARTS CATALOG

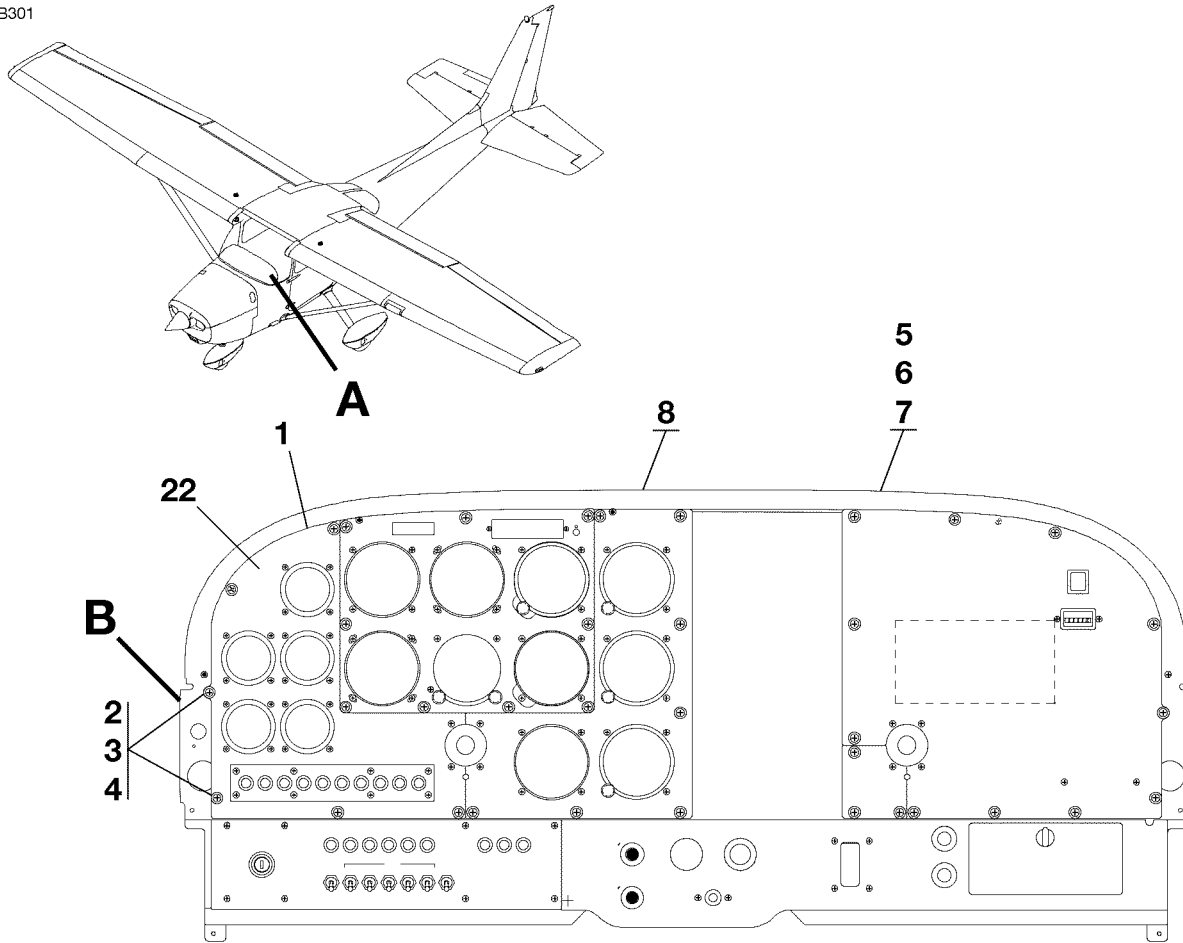
CHAPTER SECTION SUBJECT	NUMBER OF PAGES	DATE
31 - TITLE		
31 - LIST OF EFFECTIVE PAGES		
31 - RECORD OF TEMPORARY REVISIONS		
31 - TABLE OF CONTENTS		
31-00-00	Figure 01	6
31-00-00	Figure 01A	2
31-00-00	Figure 01B	2
31-10-00	Figure 01	4
31-10-00	Figure 02	2
31-20-01	Figure 01	2
31-30-00	Figure 01	2
31-50-01	Figure 01	2

CESSNA AIRCRAFT COMPANY
MODEL 172 (SERIES 1996 AND ON)
 ILLUSTRATED PARTS CATALOG

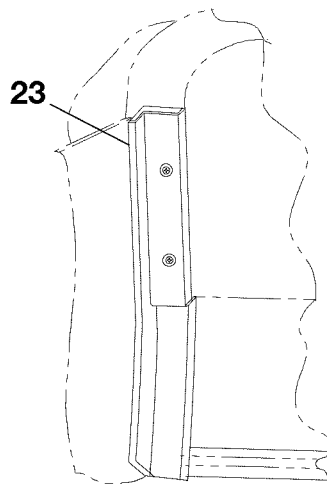
<u>SUBJECT</u>	<u>CHAPTER SECTION SUBJECT</u>	<u>FIGURE</u>	<u>EFFECTIVITY</u>	
			<u>START</u>	<u>END</u>
INSTRUMENT PANEL ASSEMBLY	31-00-00	01		
INSTRUMENT PANEL ASSEMBLY-NAV III	31-00-00	01A	81241 09810	81356 10431
INSTRUMENT PANEL ASSEMBLY-NAV III WITH ADF, ELT, ELT/ADF	31-00-00	01B		
SWITCH PANEL INSTALLATION - NAV III	31-10-00	01	81241 09810	& ON & ON
RH SWITCH PANEL - WITH ENHANCED VISION SYSTEM INSTALLED	31-10-00	02		
CLOCK AND OUTSIDE AIR TEMP GAUGE INSTALLATION	31-20-01	01		
FLIGHT HOURMETER INSTALLATION	31-30-00	01		
ANNUNCIATOR INSTALLATION	31-50-01	01		

CESSNA AIRCRAFT COMPANY
MODEL 172 (SERIES 1996 AND ON)
 ILLUSTRATED PARTS CATALOG

B301



DETAIL A



DETAIL B

LEFT SIDE SHOWN, RIGHT SIDE OPPOSITE

INSTRUMENT PANEL ASSEMBLY
 FIGURE 01 (SHEET 1)

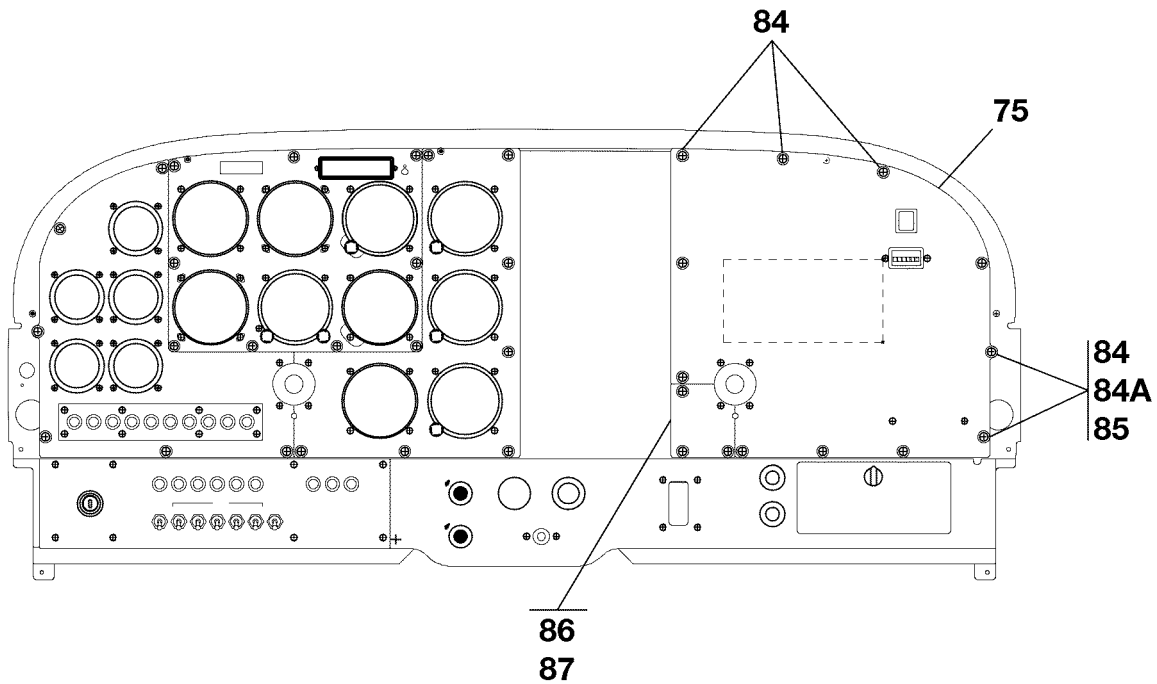
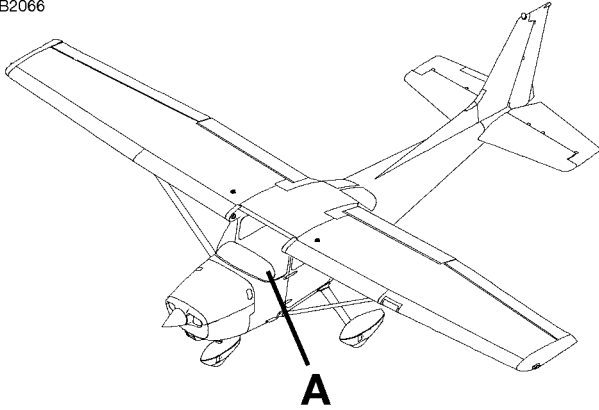
0510T1007
 A0518T1008
 B0519120-1

CESSNA AIRCRAFT COMPANY
MODEL 172 (SERIES 1996 AND ON)
ILLUSTRATED PARTS CATALOG

FIG ITEM	PART NUMBER	NOMENCLATURE	UNITS PER ASSY
	1 2 3 4 5 6 7		
01		INSTRUMENT PANEL ASSEMBLY	RF
-			
1	0513571-18	. PANEL ASSY-PILOT OUTBOARD 172	01
- 1A	0513571-39	. PANEL ASSY-PILOT OUTBOARD 172S	01
- 1B	0513571-30	. PANEL ASSY-PILOT OUTBOARD NAV II/HSI 172	80694 & ON 01
- 1C	0513571-42	. PANEL ASSY-PILOT OUTBOARD NAV II/HSI 172S	08113 & ON 01
		ATTACHING PARTS	
2	CM3558-10-12G1	. SCREW 172	04
3	CM3558-10-12B	. SCREW 172R WAS CM3558-10-8G1	04
- 3A	CM3558-10-18G1	. SCREW	17
- 3B	CM3558-10-12G1	. SCREW	11
4	NAS43DD3-12FC	. SPACER	02
- 4A	NAS43DD3-12N	. SPACER ALT FOR NAS43DD3-12FC	02
		—*—	
5	0513571-19	. PANEL ASSY-PILOT CENTER	01
- 5A	0513571-35	. PANEL ASSY-PILOT CENTER NAV II/HSI	01
		ATTACHING PARTS	
6	CM3558-10-12G1	. SCREW INCLUDES WASHER	03
7	CM3558-10-8G1	. SCREW INCLUDES WASHER	06
		—*—	
8	0513571-43	. PANEL ASSY-PILOT INBOARD W/ADF 172	80984 & ON 01
- 8A	0513571-43	. PANEL ASSY-PILOT INBOARD W/ADF 172S	08704 & ON 01
- 9	0513571-44	. PANEL ASSY-PILOT INBOARD W/O ADF 172	80984 & ON 01
- 9A	0513571-44	. PANEL ASSY-PILOT INBOARD W/O ADF 172S	08704 & ON 01
- 10	0513571-49	. PANEL ASSY-PILOT INBOARD NAV II 172	80984 & ON 01
- 10A	0513571-49	. PANEL ASSY-PILOT INBOARD NAV II 172S	08704 & ON 01
- 11	0513571-51	. PANEL ASSY-PILOT INBOARD NAV II W/HSI 172	80984 & ON 01
- 11A	0513571-51	. PANEL ASSY-PILOT INBOARD NAV II W/HSI 172S	08704 & ON 01
- 12	0513571-22	. PANEL ASSY-PILOT INBOARD 172	80001 80983 01
- 12A	0513571-22	. PANEL ASSY-PILOT INBOARD 172S	08001 08703 01
- 13	0513571-37	. PANEL ASSY-PILOT INBOARD NAV II/HSI 172	80694 80983 01
- 13A	0513571-37	. PANEL ASSY-PILOT INBOARD NAV II/HSI 172S	08113 08703 01
- 14	0513571-21	. PANEL ASSY-PILOT INBOARD NAV II/HSI 172	80001 80983 01
- 14A	0513571-21	. PANEL ASSY-PILOT INBOARD NAV II/HSI 172S	08001 08703 01
- 15	0501144-5	. PANEL ASSY-PILOT INBOARD NAV II W/MFD 172	81098 & ON 01
- 15A	0501144-5	. PANEL ASSY-PILOT INBOARD NAV II W/MFD 172S	09063 & ON 01
- 16	0501144-16	. PANEL ASSY-PILOT INBOARD NAV II W/MFD/ADF 172	81098 & ON 01
- 16A	0501144-16	. PANEL ASSY-PILOT INBOARD NAV II W/MFD/ADF 172S	09063 & ON 01
- 17	0501144-12	. PANEL ASSY-PILOT INBOARD NAV II W/HSI/MFD/ADF 172	81098 & ON 01
- 17A	0501144-12	. PANEL ASSY-PILOT INBOARD NAV II W/HSI/MFD/ADF 172S	09063 & ON 01
- 18	0501144-14	. PANEL ASSY-PILOT INBOARD NAV II W/HSI/MFD/ADF 172	81098 & ON 01
- 18A	0501144-14	. PANEL ASSY-PILOT INBOARD NAV II W/HSI/MFD/ADF 172S	09063 & ON 01
		ATTACHING PARTS	
- 19	CM3558-10-12G1	. SCREW INCLUDES WASHER	02
- 20	CM3558-10-8G1	. SCREW INCLUDES WASHER	05
		—*—	
- 21	0513571-9	. CLIP ASSY	02
22		. SILKSCREEN-PANEL ASSY REFER TO 11-N-31 FIGURE 01	RF
23		. SIDE PANEL CLOSEOUT-LH REFER TO 25-20-00 FIGURE 01, REFER TO 25-20-00 FIGURE 03 AND REFER TO FIGURE 25-20-00 FIGURE 05	RF R
- 24		. SIDE PANEL CLOSEOUT-RH REFER TO 25-20-00 FIGURE 02, REFER TO 25-20-00 FIGURE 04 AND REFER TO FIGURE 25-20-00 FIGURE 06	RF R

CESSNA AIRCRAFT COMPANY
MODEL 172 (SERIES 1996 AND ON)
ILLUSTRATED PARTS CATALOG

B2066



INSTRUMENT PANEL ASSEMBLY
FIGURE 01 (SHEET 2)

0510T1007
A0518T1008

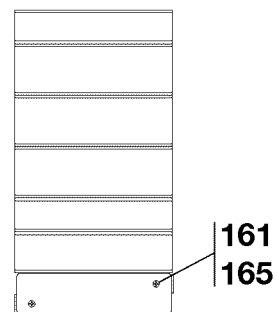
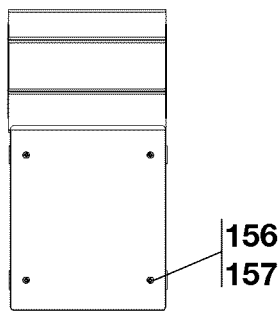
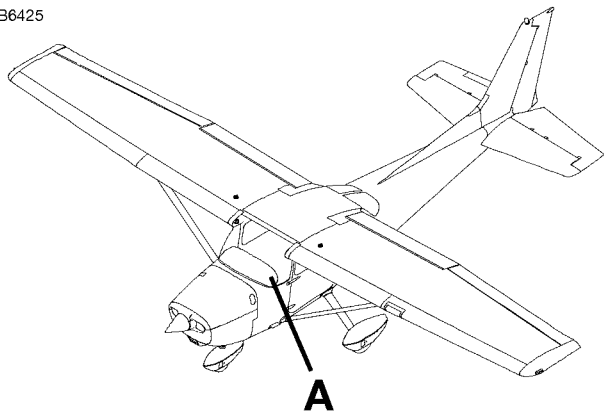
CESSNA AIRCRAFT COMPANY
MODEL 172 (SERIES 1996 AND ON)
ILLUSTRATED PARTS CATALOG

FIG ITEM	PART NUMBER	NOMENCLATURE	UNITS	
			PER	ASSY
01				
75	0513572-22	. PANEL ASSY-COPILOT W/HSI/ADF 172	80984	81355 01
- 75A	0513572-22	. PANEL ASSY-COPILOT W/HSI/ADF 172S	08704	10423 01
- 75B	0513587-3	. PANEL ASSY-COPILOT W/HSI/ADF 172	81356	& ON 01
- 75C	0513587-3	. PANEL ASSY-COPILOT W/HSI/ADF 172S	10424	& ON 01
- 76	0513572-20	. PANEL ASSY-COPILOT 172	80984	81353 01
- 76A	0513572-20	. PANEL ASSY-COPILOT 172S	08704	10434 01
- 77	0513572-24	. PANEL ASSY-COPILOT NAV II W/A/H 172	80984	81353 01
- 77A	0513572-24	. PANEL ASSY-COPILOT NAV II W/A/H 172S	08704	10434 01
- 77B	0513587-5	. PANEL ASSY-COPILOT NAV II W/A/H 172	81354	& ON 01
- 77C	0513587-5	. PANEL ASSY-COPILOT NAV II W/A/H 172S	10435	& ON 01
- 78	0513572-26	. PANEL ASSY-COPILOT NAV II W/H/M 172	80984	81355 01
- 78A	0513572-26	. PANEL ASSY-COPILOT NAV II W/H/M 172S	08704	10432 01
- 78B	0513587-7	. PANEL ASSY-COPILOT NAV II W/H/M 172	81356	& ON 01
- 78C	0513587-7	. PANEL ASSY-COPILOT NAV II W/H/M 172S	10433	& ON 01
- 79	0513572-28	. PANEL ASSY-COPILOT NAV II W/MFD/ADF 172	80984	81355 01
- 79A	0513572-28	. PANEL ASSY-COPILOT NAV II W/MFD/ADF 172S	08704	10423 01
- 79B	0513587-9	. PANEL ASSY-COPILOT NAV II W/MFD/ADF 172	81356	& ON 01
- 79C	0513587-9	. PANEL ASSY-COPILOT NAV II W/MFD/ADF 172S	10424	& ON 01
- 80	0513572-30	. PANEL ASSY-COPILOT NAV II W/O ADF 172	80984	& ON 01
- 80A	0513572-30	. PANEL ASSY-COPILOT NAV II W/O ADF 172S	08704	& ON 01
- 81	0513587-1	. PANEL ASSY-COPILOT 172	81354	& ON 01
- 81A	0513587-1	. PANEL ASSY-COPILOT 172S	10435	& ON 01
- 82	0513572-6	. PANEL ASSY-COPILOT 172	80001	80983 01
- 82A	0513572-6	. PANEL ASSY-COPILOT 172S	08001	08703 01
- 83	0513572-14	. PANEL ASSY-COPILOT W/O ELT U.K.		01
- 83A	0513572-12	. PANEL ASSY-COPILOT W/ELT		01
84	CM3558-10-12G1	. SCREW INCLUDES WASHER		06
84A	CM3558-10-8G1	. SCREW INCLUDES WASHER		05
85	NAS43DD3-12FC	. SPACER-NAS43DD3-12N ALTERNATE		02
86	0513572-8	. PANEL ASSY-CLOSEOUT		01
87	CM3558-10-8G1	. SCREW		03
- 88		. SILKSCREEN-PANEL ASSY PILOT OUTBOARD REFER TO 11-N-31 FIGURE 01		RF
- 88A	CM3558-10-12B	. SCREW		AR

- ITEM NOT ILLUSTRATED

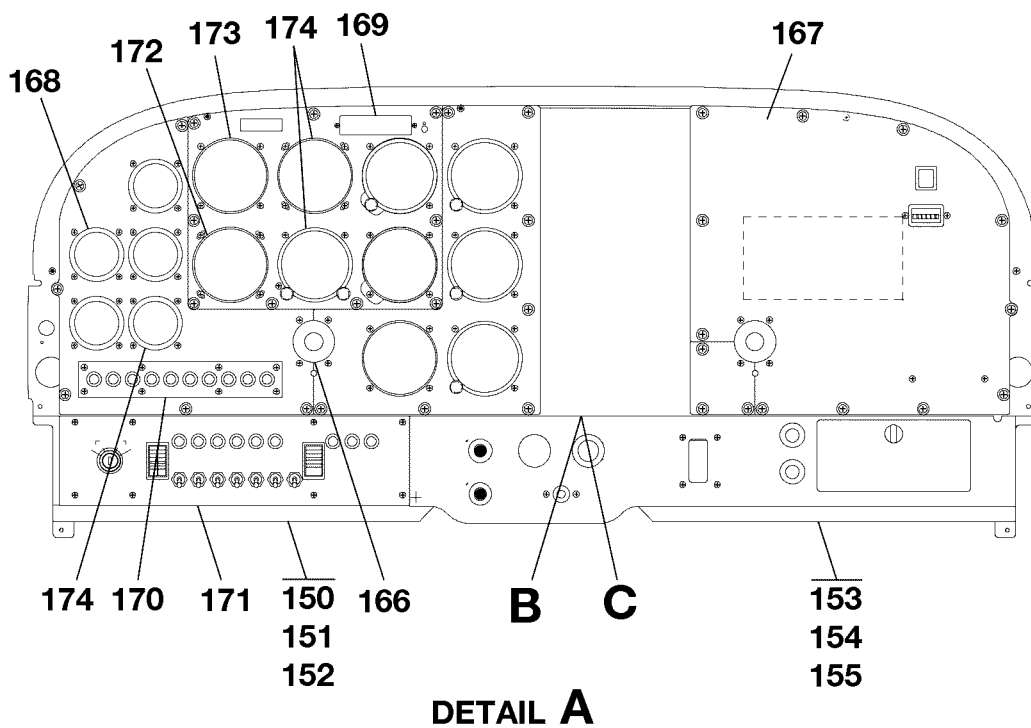
CESSNA AIRCRAFT COMPANY
MODEL 172 (SERIES 1996 AND ON)
 ILLUSTRATED PARTS CATALOG

B6425



DETAIL B

DETAIL C



DETAIL A

0510T1007
 A0518T1008
 B0518T1072
 C0518T1073

INSTRUMENT PANEL ASSEMBLY
 FIGURE 01 (SHEET 3)

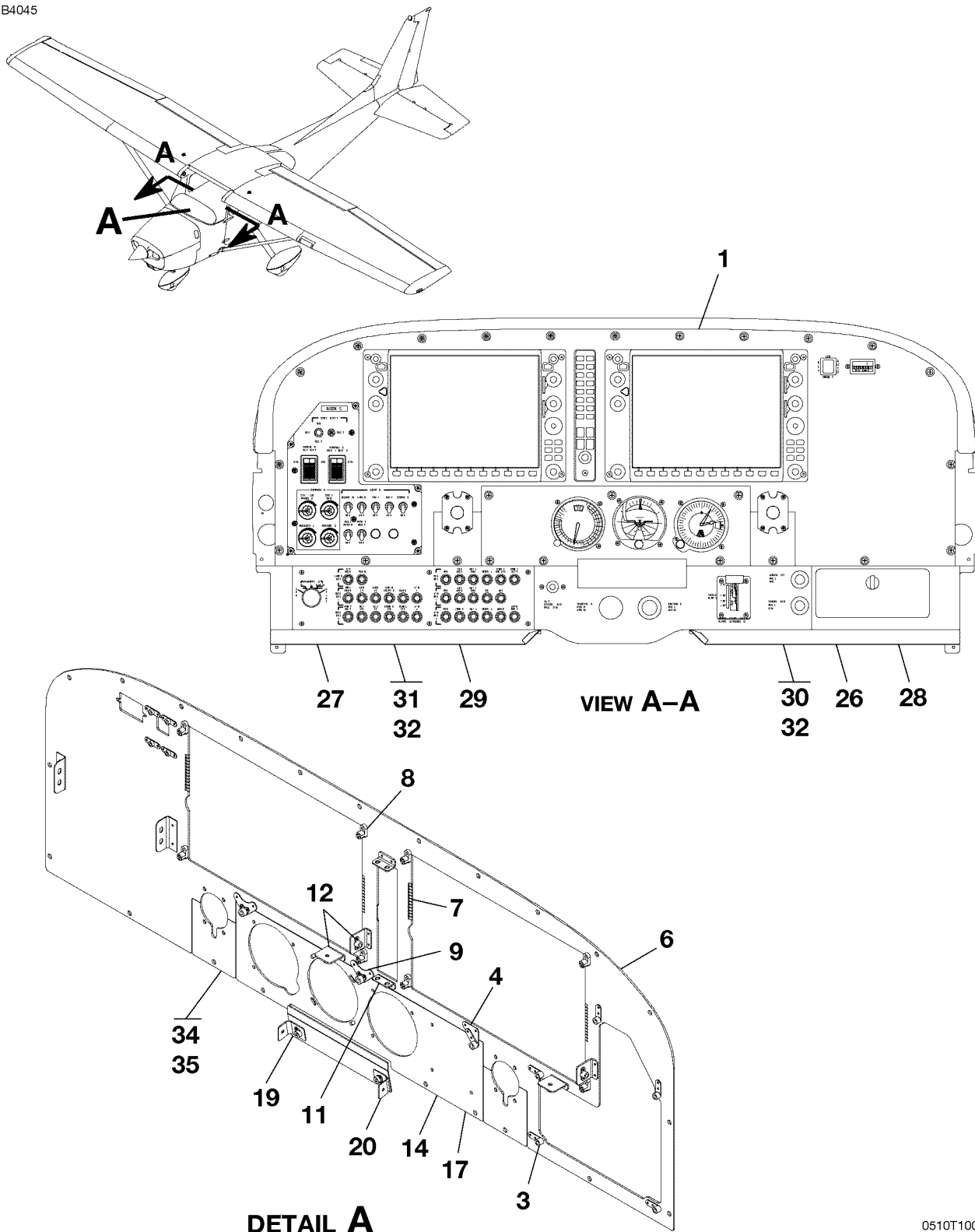
CESSNA AIRCRAFT COMPANY
MODEL 172 (SERIES 1996 AND ON)
ILLUSTRATED PARTS CATALOG

FIG ITEM	PART NUMBER	NOMENCLATURE	UNITS		
			PER	ASSY	
01					
150	0513573-1	. COVER PROTECTIVE-LH 172	80001	80999	01
- 150A	0513573-1	. COVER PROTECTIVE-LH 172S	08001	08741	01
- 150B	0513573-9	. COVER PROTECTIVE-LH 172	81000	& ON	01
- 150C	0513573-9	. COVER PROTECTIVE-LH 172S	08742	& ON	01
151	0513573-3	. COVER PROTECTIVE-LH			01
152	S1021Z6-5	. SCREW			03
153	0513573-2	. COVER PROTECTIVE-RH 172	80001	80999	01
- 153A	0513573-2	. COVER PROTECTIVE-RH 172S	08001	08741	01
- 153B	0513573-10	. COVER PROTECTIVE-RH 172	81000	& ON	01
- 153C	0513573-10	. COVER PROTECTIVE-RH 172S	08742	& ON	01
154	0513573-4	. COVER PROTECTIVE-RH			01
155	S1021Z6-6	. SCREW			04
156	0518005-3	. COVER-STANDARD AVIONICS 172	80001	80983	01
- 156A	0518005-3	. COVER-STANDARD AVIONICS 172S	08001	08703	01
- 156B	3930444-1	. COVER-STANDARD AVIONICS 172	80984	& ON	01
- 156C	3930444-1	. COVER-STANDARD AVIONICS 172S	08704	& ON	01
157	CM3558-6-6B	. SCREW INCLUDES WASHER			04
- 158	0518005-1	. BRACKET ASSY-STANDARD AVIONICS AND NAV 1PKG			01
- 159	MS21073-06	. NUTPLATE			01
- 160	S1477-06	. NUT			04
161	3930444-4	. COVER-NAV II W/O ADF 172	80914	& ON	01
- 161A	3930444-4	. COVER-NAV II W/O ADF 172S	08704	& ON	01
- 162	3930444-3	. COVER-NAV I W/ADF 172	80914	& ON	01
- 162A	3930444-3	. COVER-NAV I W/ ADF 172S	08704	& ON	01
- 163	3930444-2	. COVER-NAV I W/O ADF 172	80914	& ON	01
- 163A	3930444-2	. COVER-NAV I W/O ADF 172S	08704	& ON	01
- 164	0518005-4	. COVER-NAV I PKG 172	80001	80914	01
- 164A	0518005-4	. COVER-NAV I PKG 172S	08001	08703	01
		ATTACHING PARTS			
165	CM3558-6-6B	. SCREW			02
		—+—			
166	0513571-38	. COVER PLATE			01
167	K270011	. PAINT-WRINKLE TOP COAT POWDER	V32063		AR
168		. FUEL INDICATION REFER TO 28-22-00 FIGURE 03			RF
169		. ANNUNCIATOR REFER TO 31-50-01 FIGURE 01			RF
170		. AUDIO PANEL REFER TO 23-50-00 FIGURE 01			RF
171		. CIRCUIT BREAKER REFER TO 24-61-00 FIGURE 01			RF
172		. TURN COORDINATOR REFER TO 34-10-00 FIGURE 01			RF
173		. AIR SPEED INDICATOR REFER TO 34-11-00 FIGURE 01			RF
174		. GYRO INDICATORS REFER TO 37-10-00 FIGURE 01			RF

- ITEM NOT ILLUSTRATED

CESSNA AIRCRAFT COMPANY
MODEL 172 (SERIES 1996 AND ON)
 ILLUSTRATED PARTS CATALOG

B4045



INSTRUMENT PANEL ASSEMBLY-NAV III
 FIGURE 01A (SHEET 1)

0510T1007
 A0518T1136
 AA0518T1135

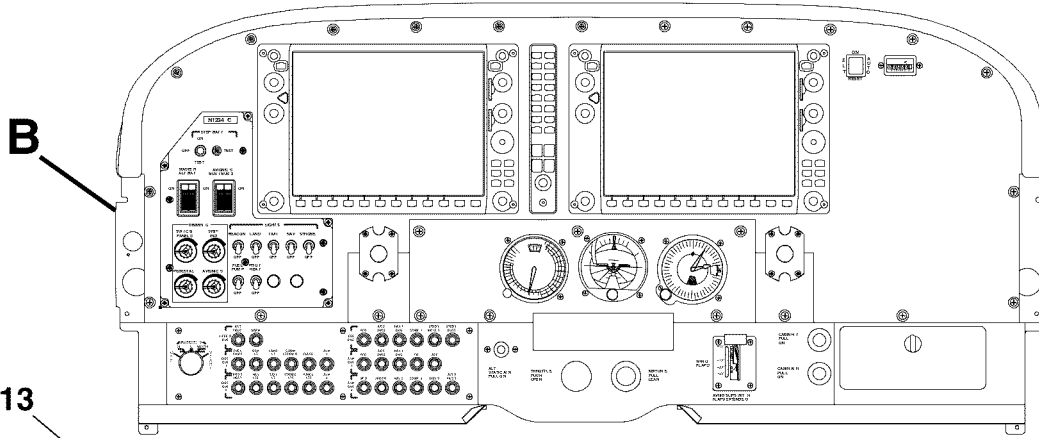
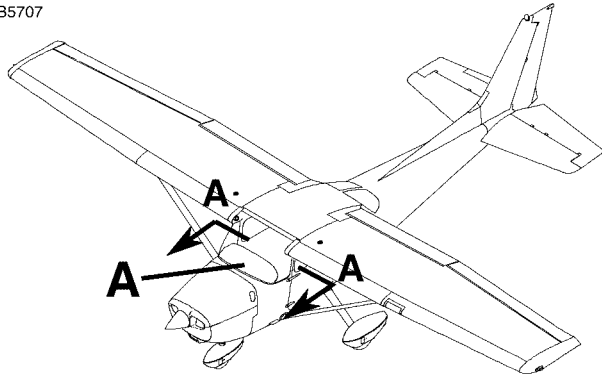
CESSNA AIRCRAFT COMPANY
MODEL 172 (SERIES 1996 AND ON)
 ILLUSTRATED PARTS CATALOG

FIG ITEM	PART NUMBER	NOMENCLATURE	UNITS PER ASSY		
			1	2	3
01A		INSTRUMENT PANEL ASSEMBLY-NAV III	81241	81356	RF
-			09810	10431	
1	0513583-1	. PANEL ASSY 172			01
- 2	0513583-2	. PANEL ASSY 172S ATTACHING PARTS			01
- 2A	CM3558-10-12G1	. SCREW			11
- 2B	CM3558-10-8G1	. SCREW —*—			02
3	MS21051L08	. . NUTPLATE			05
4	0513583-10	. . TAB ASSY			01
- 5	MS21051-3	. . NUTPLATE			01
6	0513583-3	. . INSTRUMENT PANEL			01
7	0713384-16	. . BONDING STRIP			04
8	125-00062-00	. . SOCKET			08
9	0713384-5	. . TAB ASSY			02
- 10	MS21073L3	. . NUTPLATE			01
11	0713384-7	. . ANGLE			02
12	1213547-9	. . ANGLE ASSY			02
- 13	MS21069L08	. . NUTPLATE			01
14	0513583-5	. CENTER PANEL ASSY-AUTO PILOT 172	81241	81496	01
- 14A	0513583-5	. CENTER PANEL ASSY-AUTO PILOT 172S	09810	10655	01
- 14B	0513583-33	. CENTER PANEL ASSY-AUTO PILOT 172	81497	& ON	01
- 14C	0513583-33	. CENTER PANEL ASSY-AUTO PILOT 172S	10656	& ON	01
- 15	0513583-17	. CENTER PANEL ASSY ATTACHING PARTS			01
- 16	CM3558-10-8G1	. SCREW —*—			06
17	0513583-6	. . CENTER PANEL-AUTO PILOT 172	81241	81496	01
- 17A	0513583-6	. . CENTER PANEL-AUTO PILOT 172S	09810	10655	01
- 17B	0513583-34	. . CENTER PANEL-AUTO PILOT 172	81497	& ON	01
- 17C	0513583-34	. . CENTER PANEL-AUTO PILOT 172S	10656	& ON	01
- 18	0513583-18	. . CENTER PANEL			01
19	0513583-13	. CLIP ASSY			01
20	0513583-14	. CLIP ASSY ATTACHING PARTS			01
- 21	MS24693-S27	. SCREW			01
- 22	S1477-06	. NUT —*—			01
- 23	MS21073-06	. . NUTPLATE			01
- 24	0513583-12	. COVER PLATE ATTACHING PARTS			01
- 25	CM3558-4-6B	. SCREW —*—			02
26	0513573-10	. PROTECTOR ASSY RH			01
27	0513573-9	. PROTECTOR ASSY LH			01
28	0513573-12	. . PROTECTOR RH			01
29	0513573-11	. . PROTECTOR LH			01
30	0513573-4	. COVER - PROTECTOR RH			01
31	0513573-3	. COVER - PROTECTOR LH ATTACHING PARTS			01
32	S1021Z6-6	. SCREW-RH			04
- 33	S1021Z6-5	. SCREW-LH —*—			03
34	0513583-4	. YOKE PANEL ATTACHING PARTS			02
35	CM3558-10-8G1	. SCREW —*—			02
- 36	0513568-5	. BULKHEAD ASSY-LH			01
- 37	0513568-7	. . BULKHEAD			01
- 38	MS21051-3	. . NUTPLATE			01
- 39	MS21069-3	. . NUTPLATE			07
- 40	0513568-6	. BULKHEAD ASSY-RH			01
- 41	0513568-8	. BULKHEAD			01
- 42	MS21051-3	. . NUTPLATE			01
- 43	MS21069-3	. . NUTPLATE			06
44		. SIDE PANEL CLOSEOUT-LH REFER TO FIGURE 25-20-00 FIGURE 05			RF R
- 45		. SIDE PANEL CLOSEOUT-RH REFER TO FIGURE 25-20-00 FIGURE 06			RF R

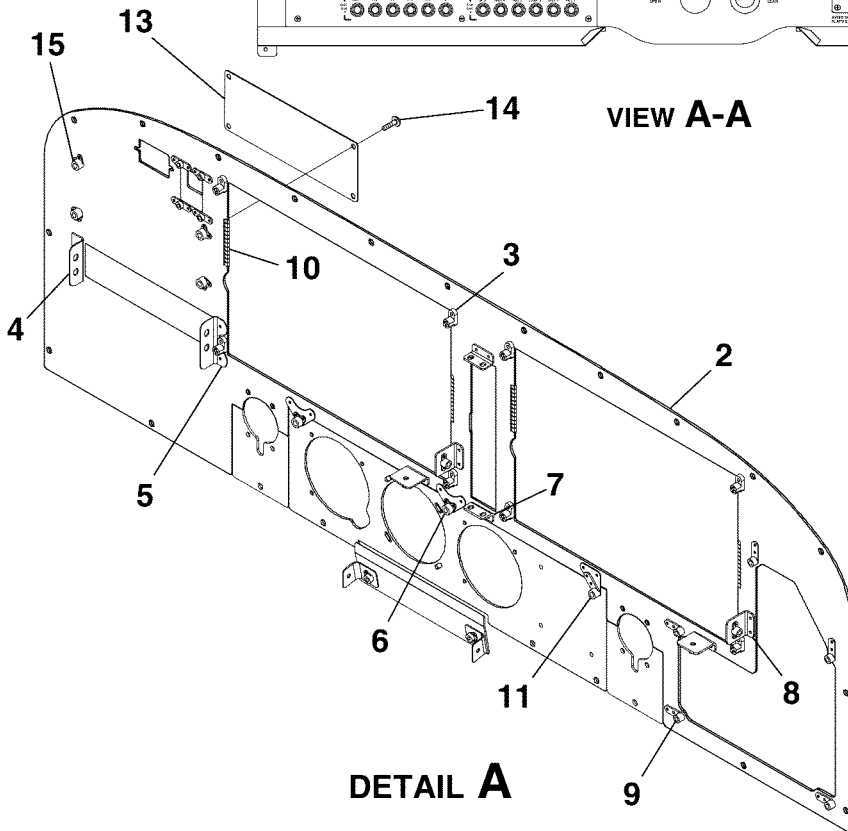
- ITEM NOT ILLUSTRATED

CESSNA AIRCRAFT COMPANY
MODEL 172 (SERIES 1996 AND ON)
 ILLUSTRATED PARTS CATALOG

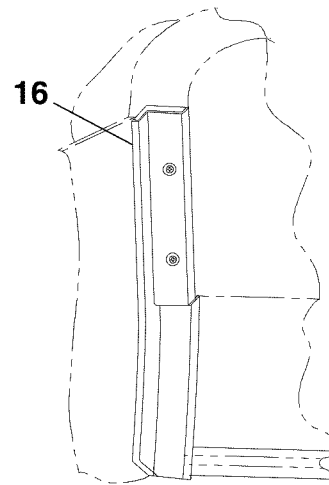
B5707



VIEW A-A



DETAIL A



DETAIL B

LEFT SIDE SHOWN,
 RIGHT SIDE OPPOSITE

INSTRUMENT PANEL ASSEMBLY-NAV III WITH ADF, ELT, ELT/ADF
 FIGURE 01B (SHEET 1)

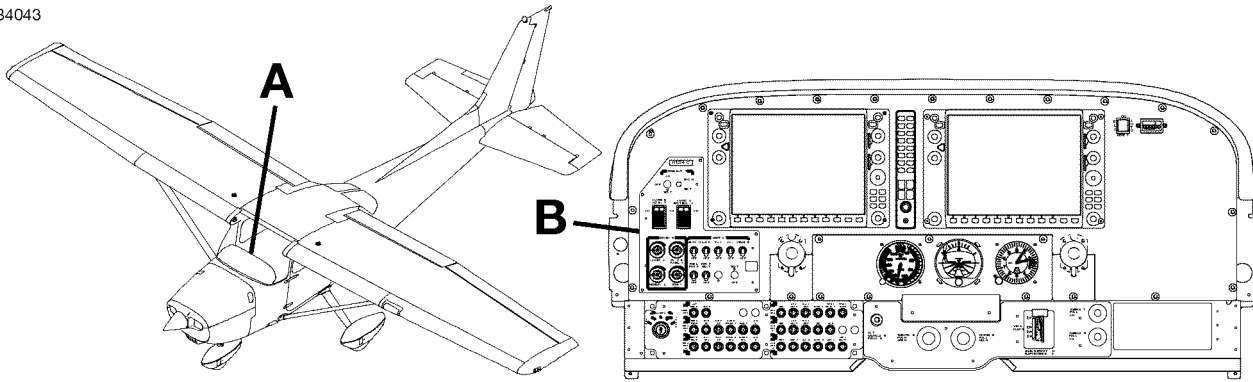
0510T1007
 A0514T1062
 B0519120-1
 AA0518T1135

CESSNA AIRCRAFT COMPANY
MODEL 172 (SERIES 1996 AND ON)
ILLUSTRATED PARTS CATALOG

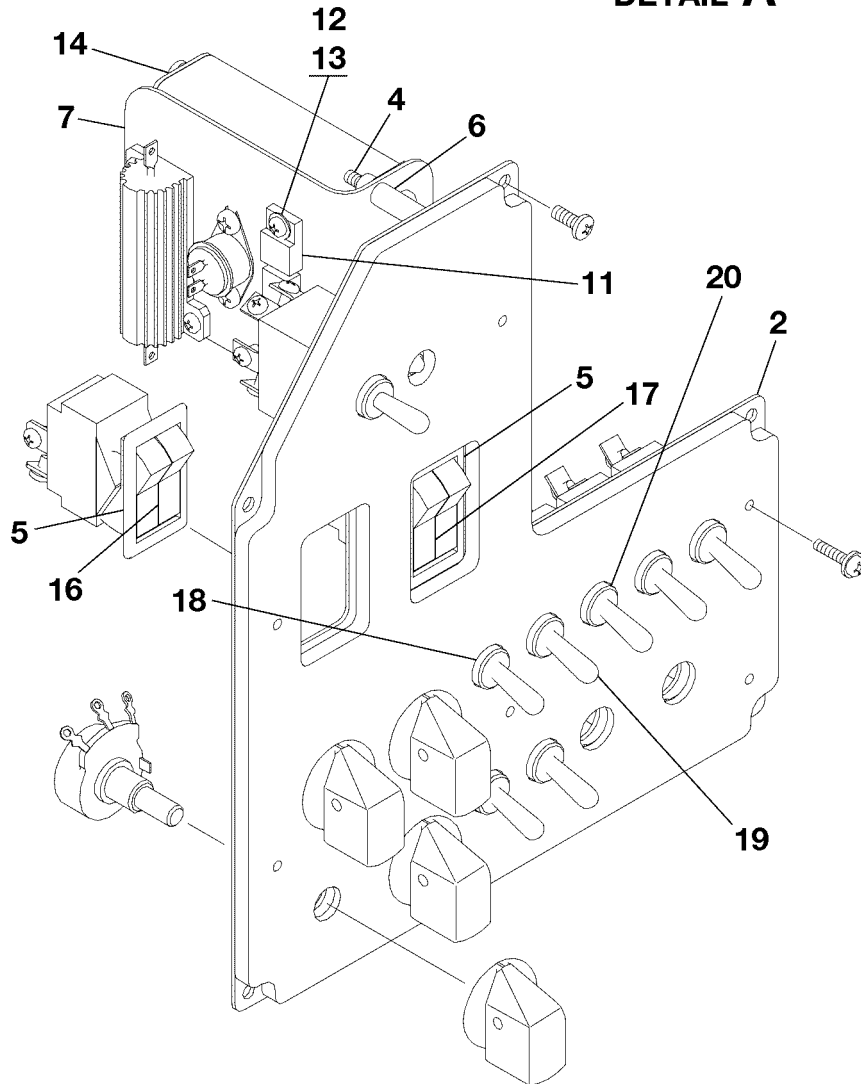
FIG ITEM	PART NUMBER	NOMENCLATURE	UNITS PER ASSY
	1 2 3 4 5 6 7		
01B		INSTRUMENT PANEL ASSEMBLY-NAV III WITH ADF, ELT, ELT/ADF	RF
- 1	0513583-25	. PANEL ASSY - WITH ADF 172	81272 81356 01
- 1A	0513583-26	. PANEL ASSY - WITH ADF 172S	10102 10431 01
- 1B	0513583-20	. PANEL ASSY - WITH ELT 172	81357 81592 01
- 1C	0513583-35	. PANEL ASSY - WITH ELT 172	81593 & ON 01
- 1D	0513583-21	. PANEL ASSY - WITH ELT 172S	10432 11126 01
- 1E	0513583-36	. PANEL ASSY - WITH ELT 172S	11127 & ON 01
- 1F	0513583-28	. PANEL ASSY - WITH ELT/ADF 172	81357 81592 01
- 1G	0513583-38	. PANEL ASSY - WITH ELT/ADF 172	81593 & ON 01
- 1H	0513583-29	. PANEL ASSY - WITH ELT/ADF 172S	10432 11126 01
- 1J	0513583-39	. PANEL ASSY - WITH ELT/ADF 172S	11127 & ON 01
2	0513583-27	. . INSTRUMENT PANEL - WITH ADF 172	81357 81356 01
- 2A	0513583-27	. . INSTRUMENT PANEL - WITH ADF 172S	10102 10431 01
- 2B	0513583-22	. . INSTRUMENT PANEL - WITH ELT 172	81357 81592 01
- 2C	0513583-22	. . INSTRUMENT PANEL - WITH ELT 172S	10432 11126 01
- 2D	0513583-37	. . INSTRUMENT PANEL - WITH ELT 172	81593 & ON 01
- 2E	0513583-37	. . INSTRUMENT PANEL - WITH ELT 172S	11127 & ON 01
- 2F	0513583-30	. . INSTRUMENT PANEL - WITH ELT/ADF 172	81357 81592 01
- 2G	0513583-30	. . INSTRUMENT PANEL - WITH ELT/ADF 172S	10432 11126 01
- 2H	0513583-40	. . INSTRUMENT PANEL - WITH ELT/ADF 172	81593 & ON 01
- 2J	0513583-40	. . INSTRUMENT PANEL - WITH ELT/ADF 172S	11127 & ON 01
3	011-00821-00	. . G1000 MOUNTING HARDWARE	V0TRC3 02
- 3A	125-00062-00	. . SOCKET	08
4	0513583-31	. . ANGLE-RADIO SUPPORT	01
5	0513583-32	. . ANGLE-RADIO SUPPORT	01
6	0713384-5	. . TAB ASSY	02
7	0713384-7	. . ANGLE	02
8	1213547-9	. . ANGLE ASSY	04
9	MS21051L08	. . NUTPLATE	05
10	0713384-16	. . BONDING STRIP	04
11	0513583-10	. . TAB ASSY	02
- 12		. . SILKSCREEN REFER TO 11-N-31 FIGURE 01	RF
13	0713384-33	. . COVER PLATE-172	81593 & ON 01 R
- 13A	0713384-33	. . COVER PLATE-172S	11127 & ON 01 R
		ATTACHING PARTS	
14	CM3658-6	. . SCREW-172	81593 & ON 04 R
- 14A	CM3658-6	. . SCREW-172S	11127 & ON 04 R
15	MS21074L08	. . NUTPLATE-172	81593 & ON 04 R
- 15A	MS21074L08	. . NUTPLATE-172S	11127 & ON 04 R
		—*—	
16		. . SIDE PANEL CLOSEOUT-LH REFER TO 25-20-00 FIGURE 01, REFER TO 25-20-00 FIGURE 03 AND REFER TO FIGURE 25-20-00 FIGURE 05	RF R
- 17		. . SIDE PANEL CLOSEOUT-RH REFER TO 25-20-00 FIGURE 02, REFER TO 25-20-00 FIGURE 04 AND REFER TO FIGURE 25-20-00 FIGURE 06	RF R

CESSNA AIRCRAFT COMPANY
MODEL 172 (SERIES 1996 AND ON)
 ILLUSTRATED PARTS CATALOG

B4043



DETAIL A



DETAIL B

SWITCH PANEL INSTALLATION - NAV III
 FIGURE 01 (SHEET 1)

0510T1007
 A0518T1120
 B1218T1047

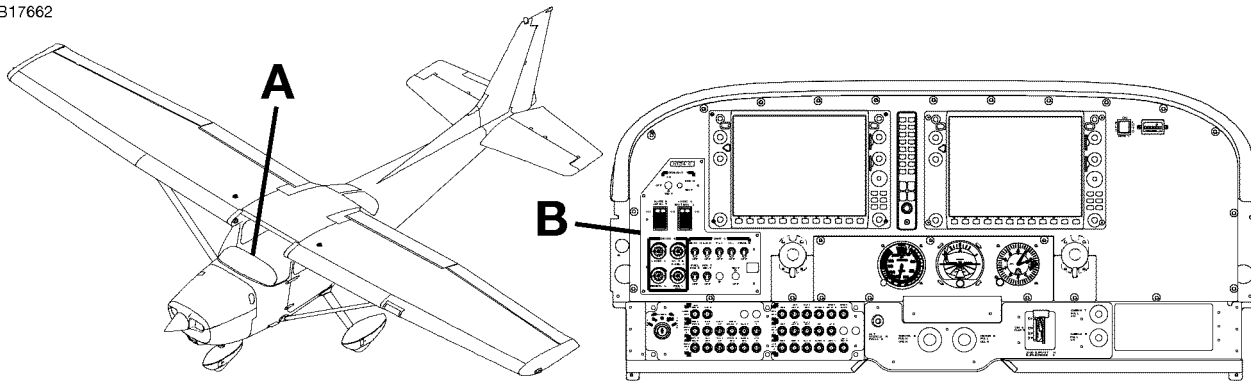
CESSNA AIRCRAFT COMPANY
MODEL 172 (SERIES 1996 AND ON)
ILLUSTRATED PARTS CATALOG

FIG ITEM	PART NUMBER	NOMENCLATURE	UNITS PER ASSY		
			1	2	3
01		SWITCH PANEL INSTALLATION - NAV III			
-			81241	& ON	RF R
			09810	& ON	
- 1	0718017-13	. SWITCH PANEL ASSY 172	81241	81272	01
- 1A	0718017-13	. SWITCH PANEL ASSY 172S	09810	10102	01
- 1B	0718017-19	. SWITCH PANEL ASSY 172	81273	81572	01 R
- 1C	0718017-19	. SWITCH PANEL ASSY 172S	10103	11070	01 R
- 1D	0718017-23	. SWITCH PANEL ASSY 172	81573	81578	01 R
- 1E	0718017-23	. SWITCH PANEL ASSY 172S	11071	11085	01 R
- 1F	0718017-25	. SWITCH PANEL ASSY 172	81579	& ON	01 R
- 1G	0718017-25	. SWITCH PANEL ASSY 172S	11086	& ON	01 R
2	0718017-15	. PANEL ASSY 172	81241	81572	01 R
- 2A	0718017-15	. PANEL ASSY 172S	09810	11070	01 R
- 2B	0718017-21	. PANEL ASSY 172	81573	& ON	01 R
- 2C	0718017-21	. PANEL ASSY 172S	11071	& ON	01 R
- 3	MS21071L04	. . . NUTPLATE			06
		ATTACHING PARTS			
4	MS24693-S36	. . . SCREW			02
		—*—			
5	S1843-1	. . MOUNTING BEZEL-MASTER SWITCH/AVIONICS MASTER SWITCH			02
6	NAS43DD1-64N	. . . SPACER			02
7	0718017-17	. . . ANGLE ASSY			01
- 8	MS21071L06	. . . NUTPLATE			02
- 9	MS21071L04	. . . NUTPLATE			03
- 10	MS21071L06	. . . NUTPLATE			02
11	NJM317F	. . . ADJ. VOLTAGE REGULATOR QI002 VS5416			01
		ATTACHING PARTS			
12	MS35206-216	. . . SCREW			01
13	NAS1149FN416P	. . . WASHER			01
		—*—			
14	6100192-000	. . . PRINTED CIRCUIT BOARD-STANDBY BATTERY NZ001 V33497			01
		ATTACHING PARTS			
- 15	MS24621-17	. . . SCREW			04
		—*—			
16	S3272-1-1	. . . SWITCH-MASTER SI009			01
17	S3443-1-1	. . . SWITCH-AVIONICS MASTER SI010			01
18	MS35058-22	. . . SWITCH-BEACON LIGHT SI013			01
19	MS35058-22	. . . SWITCH-LANDING LIGHT SI014 172	81241	81578	01 R
- 19A	MS35058-22	. . . SWITCH-LANDING LIGHT SI014 172S	09810	11085	01 R
20	MS35058-22	. . . SWITCH-TAXI LIGHT SI015 172	81241	81578	01 R
- 20A	MS35058-22	. . . SWITCH-TAXI LIGHT SI015 172S	09810	11085	01 R
- 20B	MS27407-1	. . . SWITCH-TAXI LIGHT SI034 172	81579	& ON	01 R
- 20C	MS27407-1	. . . SWITCH-TAXI LIGHT SI034 172S	11068	& ON	01 R

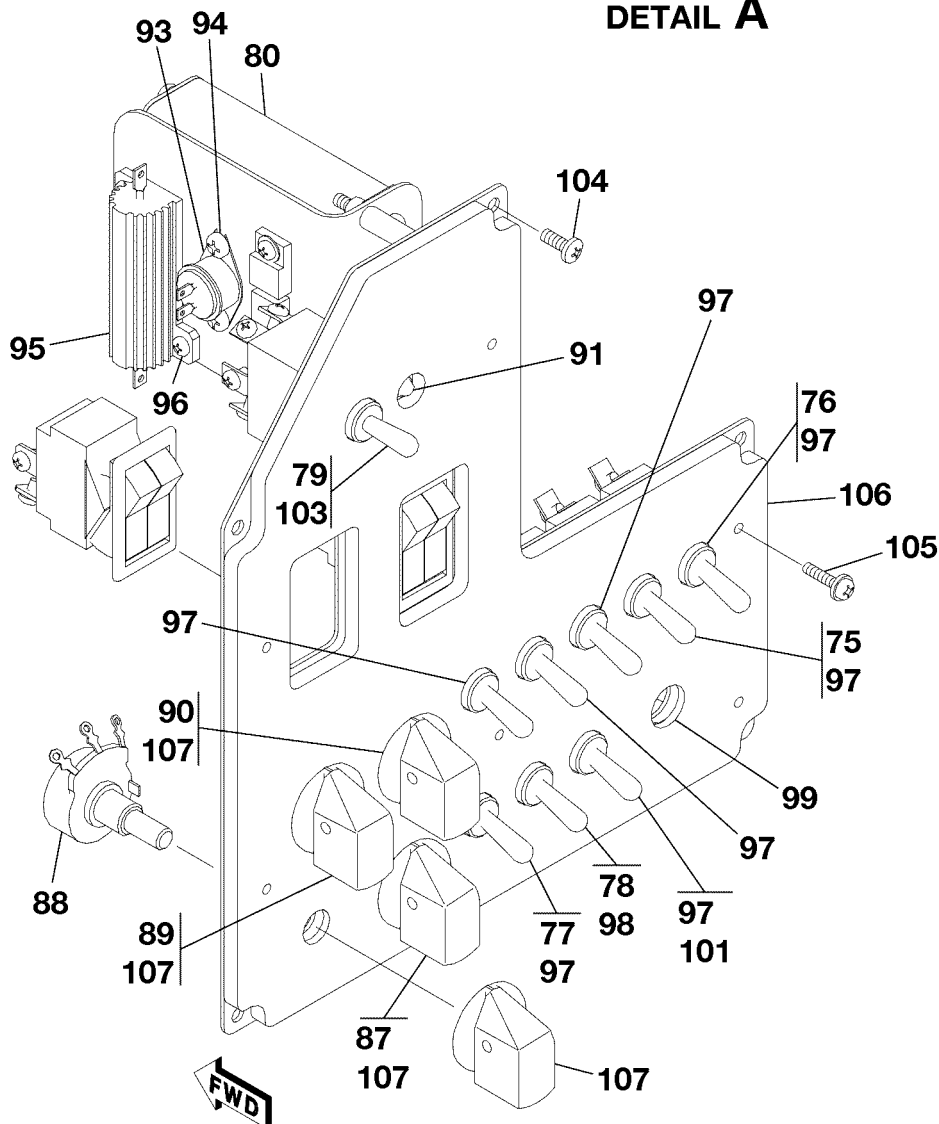
- ITEM NOT ILLUSTRATED

CESSNA AIRCRAFT COMPANY
MODEL 172 (SERIES 1996 AND ON)
 ILLUSTRATED PARTS CATALOG

B17662



DETAIL A



DETAIL B

SWITCH PANEL INSTALLATION - NAV III
 FIGURE 01 (SHEET 2)

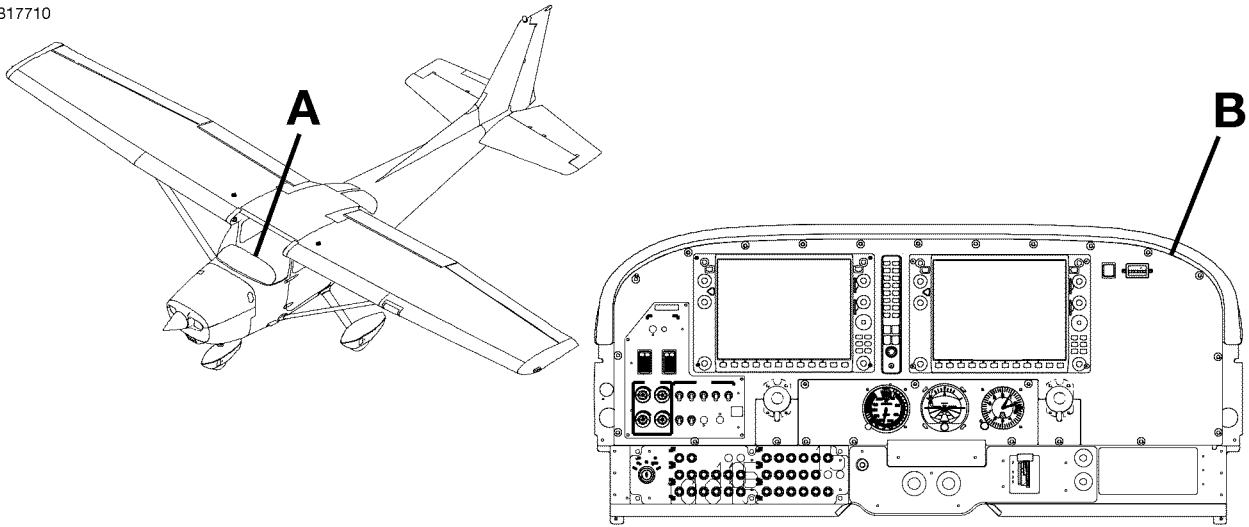
0510T1007
 A0518T1120
 B1218T1047

CESSNA AIRCRAFT COMPANY
MODEL 172 (SERIES 1996 AND ON)
 ILLUSTRATED PARTS CATALOG

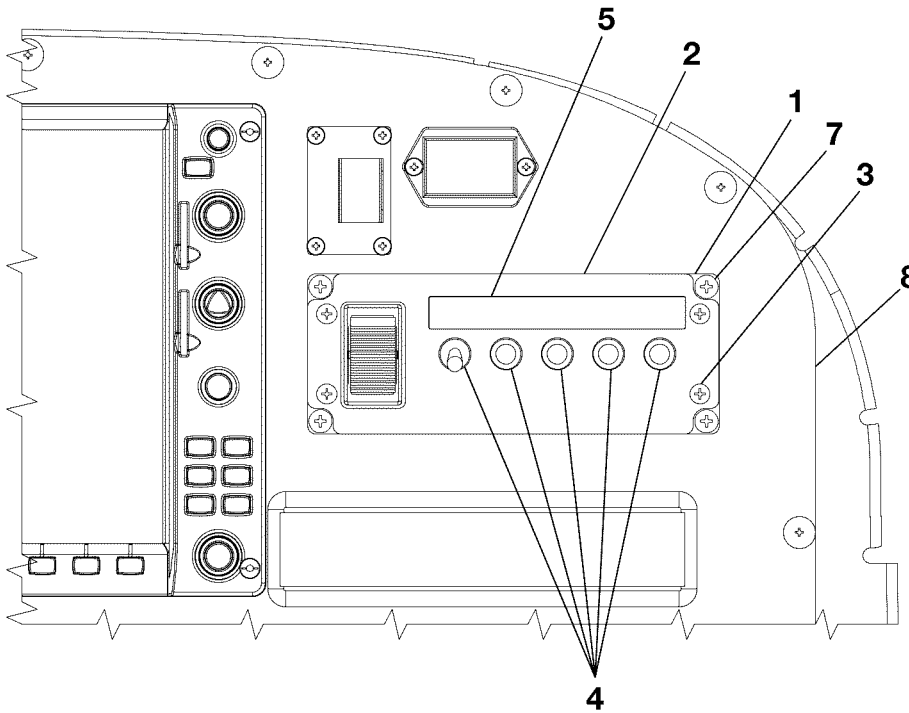
FIG ITEM	PART NUMBER	NOMENCLATURE	UNITS	
			PER	ASSY
01				
75	MS35058-22	.. SWITCH-NAVIGATION LIGHTS SI016		01
76	MS35058-22	.. SWITCH-STROBE LIGHTS SI017		01
77	MS35058-22	.. SWITCH-FUEL PUMP SI018		01
78	MS35058-22	.. SWITCH-PITOT HEAT SI019		01
79	MS35059-31	.. SWITCH-STANDBY BATTERY SI021		01
80	D01574	.. EXTRUSION		01
- 81	0770519-3	.. SWITCH PANEL WBA 172	81241	81272 01
- 82	0770519-3	.. SWITCH PANEL WBA 172S	09810	10102 01
- 83	0770519-5	.. SWITCH PANEL WBA 172	81273	81578 01 R
- 84	0770519-5	.. SWITCH PANEL WBA 172S	10103	11085 01 R
- 85	0770519-9	.. SWITCH PANEL WBA 172	81579	& ON 01 R
- 86	0770519-9	.. SWITCH PANEL WBA 172S	11086	& ON 01 R
87	S1904-5	.. RESISTOR-AVIONICS DIMMER RI006		01
88	S1904-5	.. RESISTOR-PEDESTAL LIGHT DIMMER RI007		01
89	S1904-5	.. RESISTOR-SWITCH AND CIRCUIT BREAKER PANELS DIMMER RI008		01
90	S1904-5	.. RESISTOR-STANDBY INDICATORS DIMMER RI009		01
91	S2800-679	.. LED-GREEN STANDBY BATTERY TEST FI011		01
- 92	0770557-9	.. DIMMING WBA		01
93	4344-184-226	.. SWITCH-STANDBY BATTERY TEST OVERHEAT S1022	V82647	01
		ATTACHING PARTS		
94	MS35206-227	.. SCREW		02
		—*—		
95	S2041-50B12	.. RESISTOR STANDBY BATTERY TEST RI010		01
		ATTACHING PARTS		
96	MS35206-216	.. SCREW		02
		—*—		
97	S2742-10	.. TIP-WHITE		AR
98	S2742-8	.. TIP-GREEN		AR
99	CM2692-16U2S	.. PLUG BUTTON FSO CM2692-16AA2S		NP
- 100	CM2692-16AA2S	.. PLUG BUTTON		AR
101	MS35058-22	.. SWITCH-CABIN POWER 12V SI023 172	81273	& ON 01 R
- 102	MS35058-22	.. SWITCH-CABIN POWER 12V SI023 172S	10109	& ON 01 R
103	S2742-9	.. TIP-RED		AR
104	CM3658-6	.. SCREW		05
105		.. PANEL ATTACH REFER TO 33-10-02 FIGURE 01		RF
106		.. LED PANEL REFER TO 33-10-02 FIGURE 01		RF
107	S3839-2	.. KNOB DIMMING		04

CESSNA AIRCRAFT COMPANY
MODEL 172 (SERIES 1996 AND ON)
ILLUSTRATED PARTS CATALOG

B17710



DETAIL A



DETAIL B

RH SWITCH PANEL - WITH ENHANCED VISION SYSTEM INSTALLED
FIGURE 02 (SHEET 1)

0510T1007
A0518T1120
B0518T1120

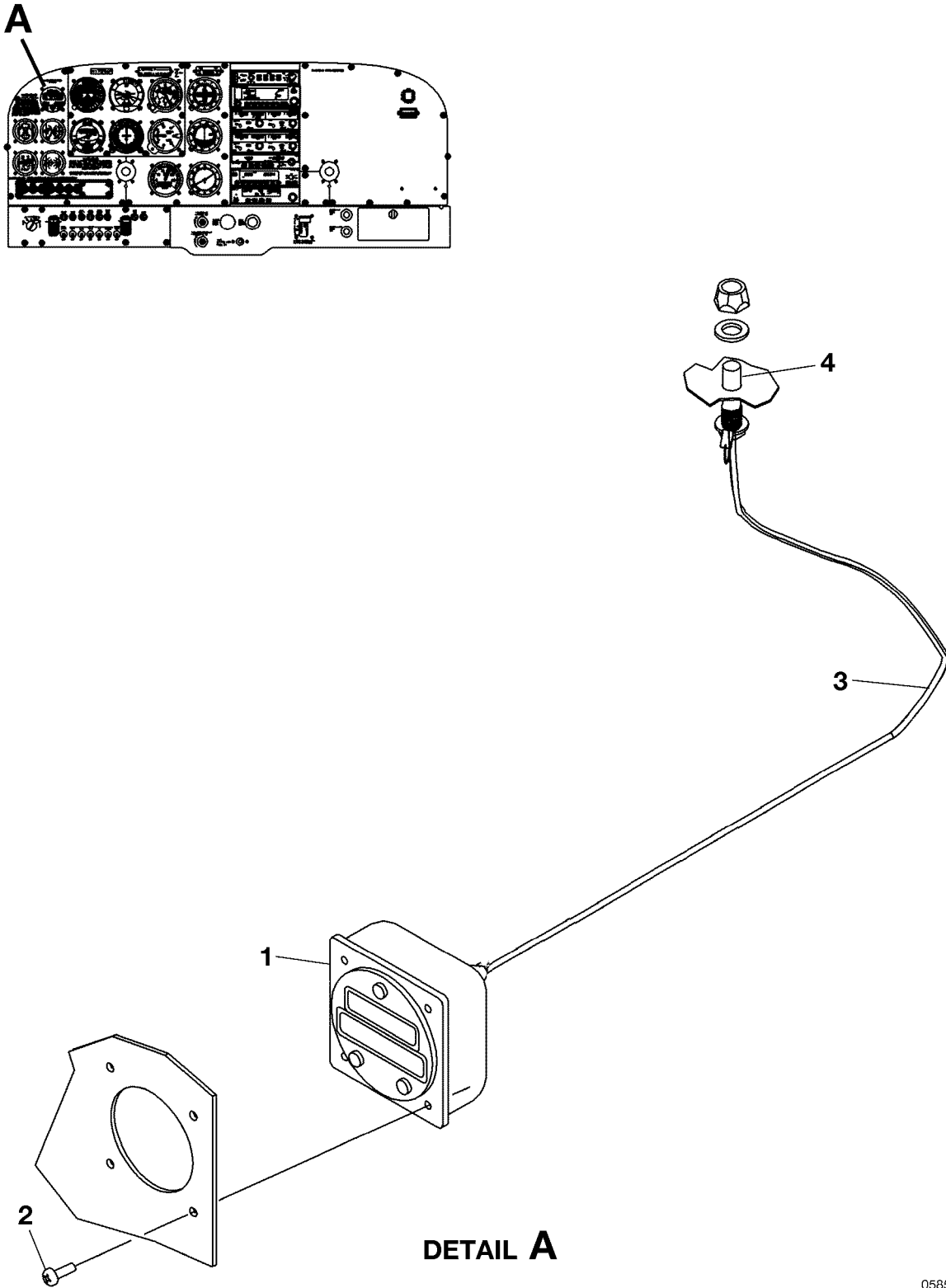
CESSNA AIRCRAFT COMPANY
MODEL 172 (SERIES 1996 AND ON)
 ILLUSTRATED PARTS CATALOG

FIG ITEM	PART NUMBER	1 2 3 4 5 6 7	NOMENCLATURE	UNITS PER ASSY
02				
-			RH SWITCH PANEL - WITH ENHANCED VISION SYSTEM INSTALLED	RF
1	0718028-5		. PANEL ASSY REFER TO NOTE 2	01 R
2	9910613-1		. LED PANEL REFER TO NOTE 2	01 R
			ATTACHING PARTS	
3	CM3558-4-8B		. SCREW REFER TO NOTE 2	04 R
			—*—	
4	CM2692-16Z2S		. PLUG BUTTON REFER TO NOTE 2	AR R
5	0518043-1		. OVERLAY REFER TO NOTE 2	01 R
- 6	0570523-3		. DIMMING-WBA REFER TO NOTE 2	01 R
7	CM3658-6		. SCREW REFER TO NOTE 1	04
8			. INSTRUMENT PANEL REFER TO 31-00-00-01B	RF
NOTE 1—PERMISSABLE TO USE SALVAGED SCREWS FROM COVER PLATE REMOVAL.				
NOTE 2—AIRPLANES 17281593 AND ON AND AIRPLANES 172S11127 AND ON INCORPORATING SEB-34-04.				R

- ITEM NOT ILLUSTRATED

CESSNA AIRCRAFT COMPANY
MODEL 172 (SERIES 1996 AND ON)
ILLUSTRATED PARTS CATALOG

B302



DETAIL A

CLOCK AND OUTSIDE AIR TEMP GAUGE INSTALLATION
FIGURE 01 (SHEET 1)

0585T1040
A0518T1051

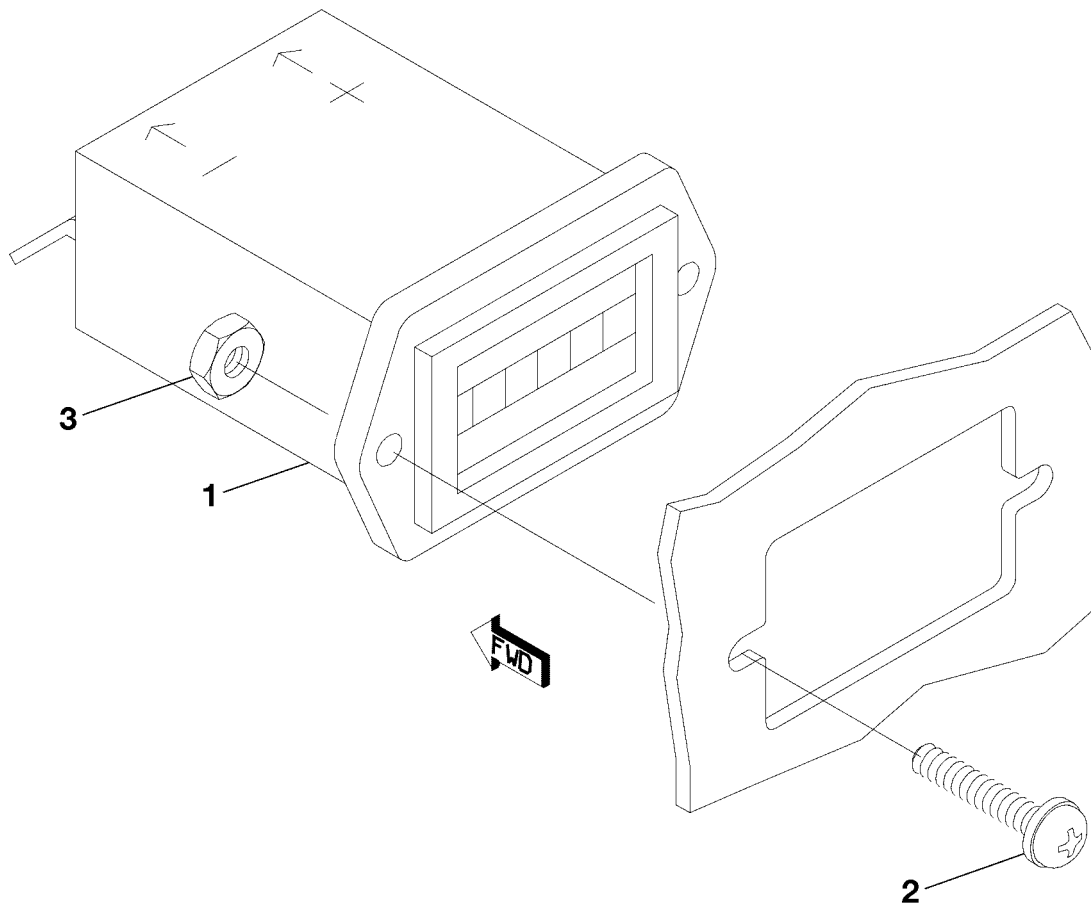
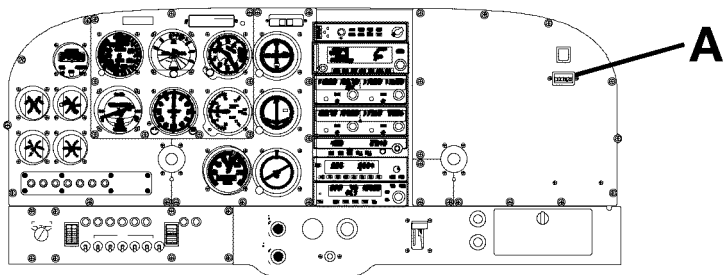
CESSNA AIRCRAFT COMPANY
MODEL 172 (SERIES 1996 AND ON)
 ILLUSTRATED PARTS CATALOG

FIG ITEM	PART NUMBER	NOMENCLATURE	UNITS	
			PER	ASSY
01		CLOCK AND OUTSIDE AIR TEMP GAUGE INSTALLATION		RF
-				
1	AT432000	. CLOCK AND OAT AND VOLT INDICATOR 172 EI019 V65907	81098	81142 01
- 1A	AT432000	. CLOCK AND OAT AND VOLT INDICATOR 172S EI019 V65907	09063	09288 01
- 1B	M803B-2-0/28V-B	. CLOCK AND OAT INDICATOR 172 EI019 V63131	80001	81097 01 R
			81143	& ON
- 1C	M803B-2-0/28V-B	. CLOCK AND OAT INDICATOR 172S EI019 V63131	08001	09062 01 R
			09289	& ON
		ATTACHING PARTS		
2	S3294-6-12G1	. SCREW 172	81098	& ON 04
- 2A	S3294-6-12G1	. SCREW 172S	09063	& ON 04
- 2B	S3484-4-8G1	. SCREW-REPLACES S3294-4-8G1 172	80001	81097 04
- 2C	S3484-4-8G1	. SCREW-REPLACES S3294-4-8G1 172S	08001	09062 04
		—*—		
3		. . WBA CLOCK REFER TO WIRING DIAGRAM MANUAL		RF
4	C307PRF-11	. . . PROBE REPLACES C307PS-10 TF001 V63131		01 R

- ITEM NOT ILLUSTRATED

CESSNA AIRCRAFT COMPANY
MODEL 172 (SERIES 1996 AND ON)
ILLUSTRATED PARTS CATALOG

B303



DETAIL A

FLIGHT HOURMETER INSTALLATION
FIGURE 01 (SHEET 1)

0585T1040
A0518T1020

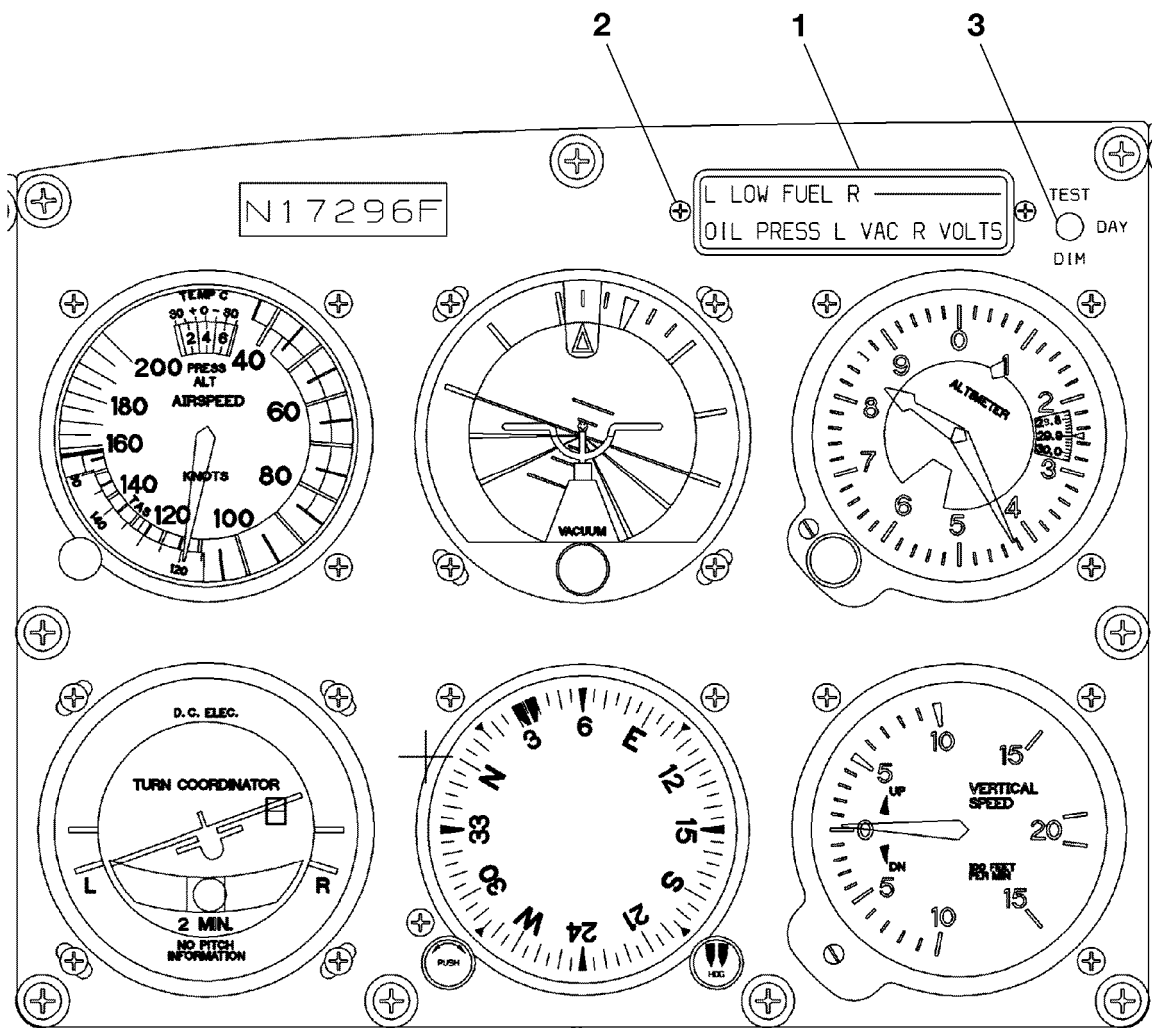
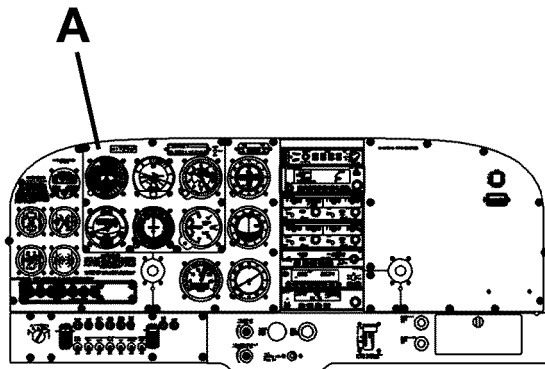
CESSNA AIRCRAFT COMPANY
MODEL 172 (SERIES 1996 AND ON)
 ILLUSTRATED PARTS CATALOG

FIG ITEM	PART NUMBER	1 2 3 4 5 6 7	NOMENCLATURE	UNITS PER ASSY
01			FLIGHT HOURMETER INSTALLATION	RF
-				
1	C664503-0103		. HOURMETER EI003	01
2	S3484-6-14G1		. SCREW	02 R
- 2A	S3484-6-14G1		. SCREW-NAV III	02 R
3	MS35649-265B		. NUT	02
			—*—	

- ITEM NOT ILLUSTRATED

CESSNA AIRCRAFT COMPANY
MODEL 172 (SERIES 1996 AND ON)
 ILLUSTRATED PARTS CATALOG

B304



DETAIL A

ANNUNCIATOR INSTALLATION
 FIGURE 01 (SHEET 1)

0585T1040
 A0585T1040

CESSNA AIRCRAFT COMPANY
MODEL 172 (SERIES 1996 AND ON)
 ILLUSTRATED PARTS CATALOG

FIG ITEM	PART NUMBER	NOMENCLATURE	UNITS PER ASSY	
			1 2 3 4 5 6 7	
01		ANNUNCIATOR INSTALLATION		RF
-				
- 1	CSEWCA-01	. ANNUNCIATOR UI005 172	V0GZF3 80001	80983 01
- 1A	CSEWCA-01	. ANNUNCIATOR UI005 172S	V0GZF3 08001	08347 01
- 1B	CSEWCA-03	. ANNUNCIATOR NAV II UI005 172	V0GZF3 80984	& ON 01
- 1C	CSEWCA-03	. ANNUNCIATOR NAV II UI005 172S	V0GZF3 08348	& ON 01
		ATTACHING PARTS		
2	S3294-4-8G1	. SCREW		02
		—*—		
3	S1696-5	. SWITCH SI1003 172	80001	80883 01
- 3A	S1696-5	. SWITCH SI1003 172S	08001	08402 01
- 3B	S1696-6	. SWITCH SI1003 172	80884	& ON 01 R
- 3C	S1696-6	. SWITCH SI1003 172S	08403	& ON 01 R
- 4	0570581-6	. WBA ANNUNCIATOR/FUSELAGE 172 REFER TO THE WIRING DIAGRAM MANUAL	80884	& ON 01
- 4A	0570581-6	. WBA ANNUNCIATOR/FUSELAGE 172S REFER TO THE WIRING DIAGRAM MANUAL	08403	& ON 01
- 4B	0570581-4	. WBA ANNUNCIATOR/FUSELAGE 172 REFER TO THE WIRING DIAGRAM MANUAL	80001	80883 01
- 4C	0570581-4	. WBA ANNUNCIATOR/FUSELAGE 172S REFER TO THE WIRING DIAGRAM MANUAL	08001	08402 01
- 5		. INSTRUMENT PANEL REFER TO 31-00-00 FIGURE 01		RF
- 6		. INSTRUMENT LIGHTING REFER TO 33-13-00 FIGURE 01		RF

- ITEM NOT ILLUSTRATED

CHAPTER

32

LANDING GEAR

CESSNA AIRCRAFT COMPANY
MODEL 172 (SERIES 1996 AND ON)
 ILLUSTRATED PARTS CATALOG

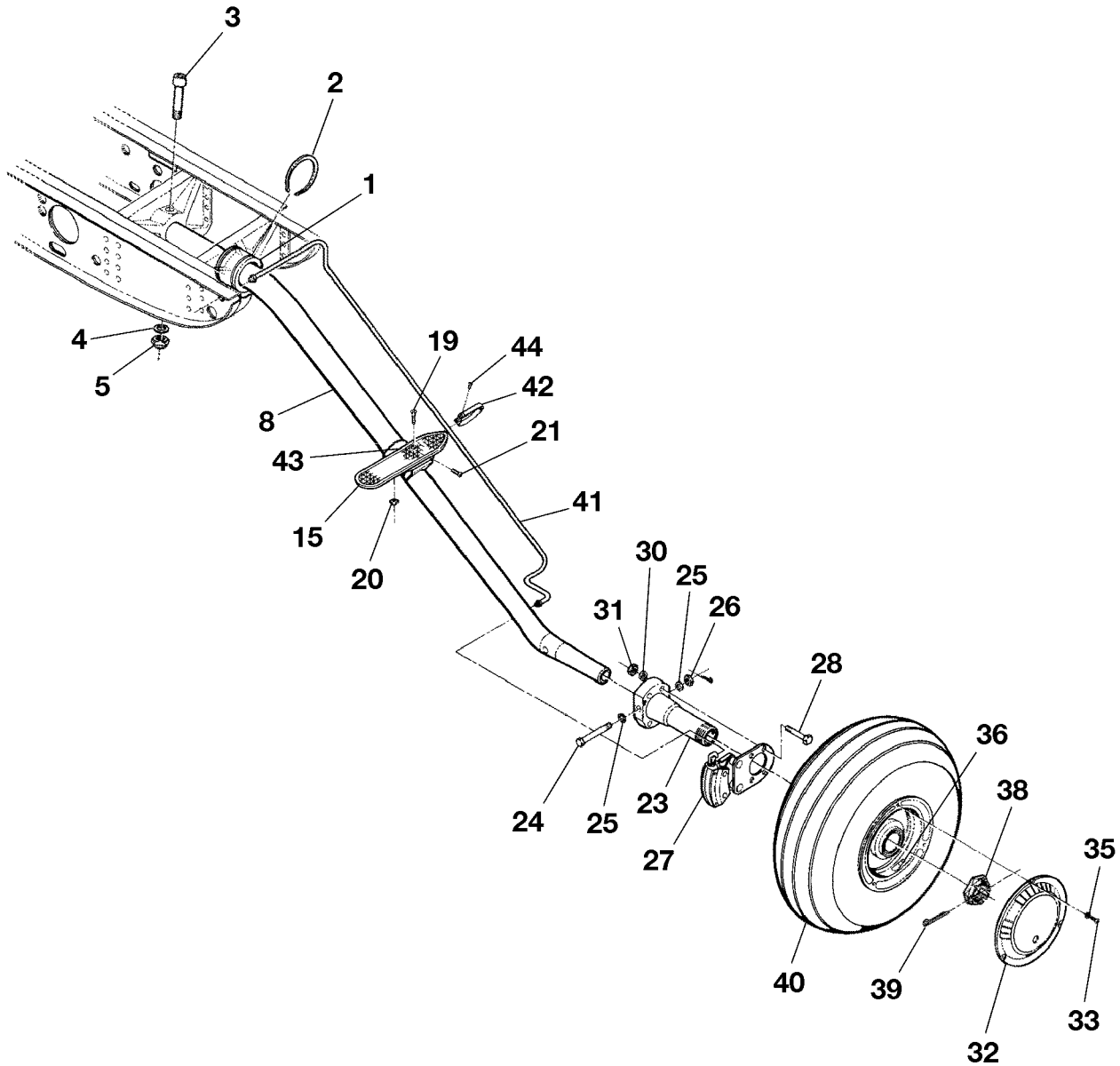
CHAPTER SECTION SUBJECT		NUMBER OF PAGES	DATE
32 - TITLE			
32 - LIST OF EFFECTIVE PAGES			
32 - RECORD OF TEMPORARY REVISIONS			
32 - TABLE OF CONTENTS			
32-10-00	Figure 01	2	Jul 1/2013
32-11-00	Figure 01	2	Jul 1/2015
32-20-00	Figure 01	2	Feb 3/2003
32-20-01	Figure 01	2	Jan 1/2012
32-20-01	Figure 01A	4	Jul 1/2013
32-20-02	Figure 01	2	Dec 1/2007
32-21-00	Figure 01	2	Jul 1/2012
32-30-00	Figure 01	2	Jul 1/2016
32-31-00	Figure 01	2	Jan 1/2009
32-32-00	Figure 01	2	Jul 1/2016
32-32-00	Figure 02	2	Jan 1/2009
32-32-01	Figure 01	2	Jul 3/2006
32-50-00	Figure 01	2	Jul 1/2013

CESSNA AIRCRAFT COMPANY
MODEL 172 (SERIES 1996 AND ON)
 ILLUSTRATED PARTS CATALOG

<u>SUBJECT</u>	<u>CHAPTER SECTION SUBJECT</u>	<u>FIGURE</u>	<u>EFFECTIVITY</u>	
			<u>START</u>	<u>END</u>
MAIN LANDING GEAR INSTALLATION	32-10-00	01		
MAIN LANDING GEAR FAIRINGS OPTIONAL	32-11-00	01		
NOSE GEAR INSTALLATION	32-20-00	01		
NOSE GEAR SHOCK STRUT ASSEMBLY	32-20-01	01	80001	81221
			08001	09657
NOSE GEAR SHOCK STRUT ASSEMBLY	32-20-01	01A	81222	& ON
			09658	& ON
SHIMMY DAMPENER INSTALLATION	32-20-02	01		
NOSE GEAR FAIRING INSTALLATION	32-21-00	01		
WHEEL AND BRAKE ASSEMBLY - MAIN LANDING GEAR	32-30-00	01		
WHEEL ASSEMBLY-NOSE GEAR CLEVELAND	32-31-00	01		
BRAKE SYSTEM	32-32-00	01		
PARKING BRAKE INSTALLATION	32-32-00	02		
MASTER BRAKE CYLINDER ASSEMBLY	32-32-01	01		
NOSE GEAR STEERING TUBE ASSEMBLY	32-50-00	01		

CESSNA AIRCRAFT COMPANY
MODEL 172 (SERIES 1996 AND ON)
ILLUSTRATED PARTS CATALOG

B305



0541R3001

MAIN LANDING GEAR INSTALLATION
FIGURE 01 (SHEET 1)

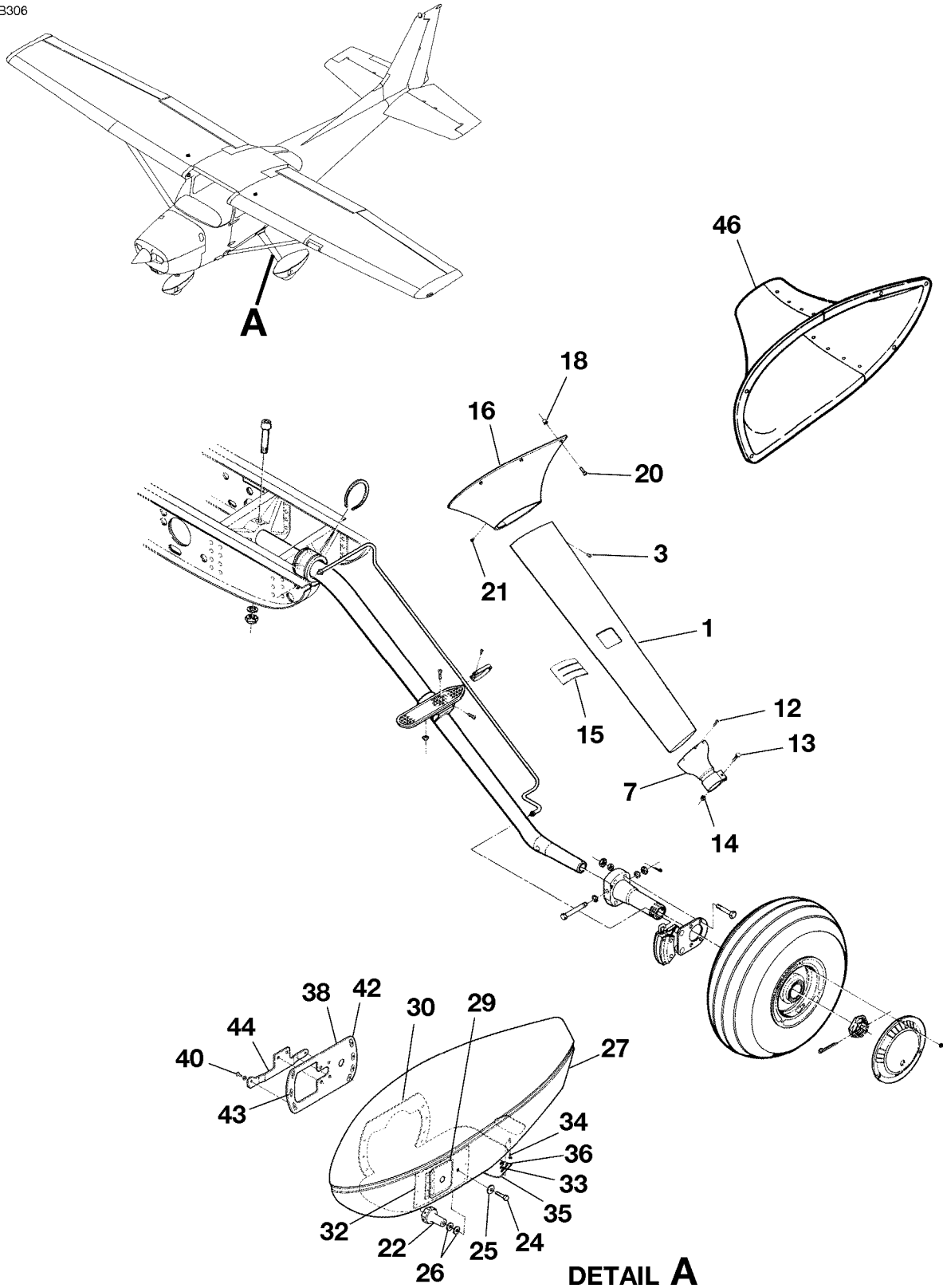
CESSNA AIRCRAFT COMPANY
MODEL 172 (SERIES 1996 AND ON)
ILLUSTRATED PARTS CATALOG

FIG ITEM	PART NUMBER	NOMENCLATURE	UNITS	
			PER	ASSY
01		MAIN LANDING GEAR INSTALLATION		RF
-		. BUSHING ASSY		02
1	0541202-4		04
2	MS16624-1262	80001	80003
3	S2138-1	80004	& ON
- 3A	S3461-108		02
- 3B	S3461-108		02
4	S1450-10-15-063		AR
5	MS21044N10		02
- 6	0541200-7	80001	& ON
- 6A	0541200-9	08001	& ON
- 7	0541200-8	80001	& ON
- 7A	0541200-10	08001	& ON
8	0541198-9	80001	81616
- 8A	0541198-9	08001	11183
- 8B	0541198-13	81617	& ON
- 8C	0541198-13	11184	& ON
- 9	0541198-10	80001	81616
- 9A	0541198-10	08001	11183
- 9B	0541198-14	81617	& ON
- 9C	0541198-14	11184	& ON
- 10	0541198-7	80001	81616
- 10A	0541198-7	08001	11183
- 10B	0541198-11	81617	& ON
- 10C	0541198-11	11184	& ON
- 11	0541198-8	80001	81616
- 11A	0541198-8	08001	11183
- 11B	0541198-12	81617	& ON
- 11C	0541198-12	11184	& ON
- 12	0541212-1		01 R
- 13	0541212-2		01 R
- 14	Y8671		AR R
15	0541211-5	80783	& ON
- 15A	0541211-5	08001	& ON
- 16	0541211-2		01 R
- 17	0541211-3		01 R
- 18	0541211-1	80001	80782
		ATTACHING PARTS		
19	AN507-1032R10		01 R
20	MS21044N3		01 R
21	MS27039-1-09		02 R
- 22	MS21044N3		02 R
		—*—		
23	0541199-1		01 R
		ATTACHING PARTS		
24	NAS464P7LA44		01 R
25	NAS1149F0763P		02 R
26	MS21245L7		01 R
		—*—		
27			RF R
		ATTACHING PARTS		
28	AN5-13A		04 R
- 29	AN5-14A		04 R
30	NAS1149F0532P		04 R
31	MS21042L5		04 R
		—*—		
32	0741048-8		01 R
		ATTACHING PARTS		
33	MS35206-241		03 R
- 34	S2191-8-4		03 R
35	MS35333-38		03 R
		—*—		
36	6241M		01 R
- 37	3680C		AR R
38	MS21025-24		01 R
39	MS24665-362		01 R
40			RF R
41			RF R
		ATTACHING PARTS		
42	MS21919WDG3		01 R
43	S1485D26L		01 R
44	S1021Z10-8		01 R
		—*—		

- ITEM NOT ILLUSTRATED

CESSNA AIRCRAFT COMPANY
MODEL 172 (SERIES 1996 AND ON)
ILLUSTRATED PARTS CATALOG

B306



MAIN LANDING GEAR FAIRINGS OPTIONAL
FIGURE 01 (SHEET 1)

0510T1007
0541T1002
0541T3001
0541T3002

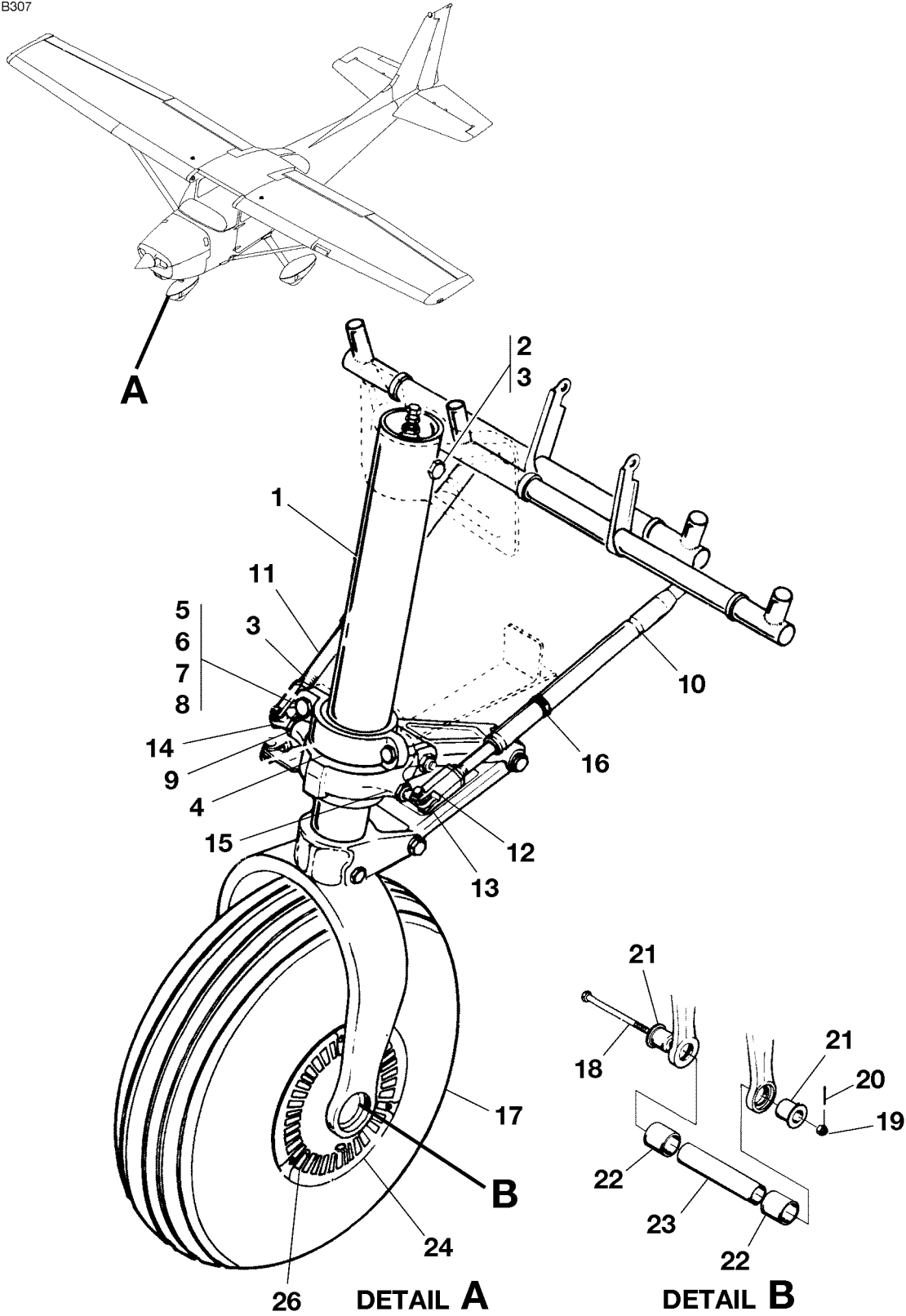
CESSNA AIRCRAFT COMPANY
MODEL 172 (SERIES 1996 AND ON)
ILLUSTRATED PARTS CATALOG

FIG ITEM	PART NUMBER	NOMENCLATURE	UNITS PER ASSY
		1 2 3 4 5 6 7	
01			
-		MAIN LANDING GEAR FAIRINGS OPTIONAL	RF
1	0541193-7	. FAIRING ASSY-LH MAIN LANDING GEAR	01
- 2	0541193-8	. FAIRING ASSY-RH MAIN LANDING GEAR	01
		ATTACHING PARTS	
3	AN515-8R6	. SCREW	09
		—*—	
- 4	MS21047L08K	. . NUTPLATE	07
- 5	MS21071L06K	. . NUTPLATE	03
- 6	MS21071L08K	. . NUTPLATE	02
7	0541191-1	. COVER PLATE ASSY-LH MAIN LANDING GEAR	01
- 8	0541191-2	. COVER PLATE ASSY-RH MAIN LANDING GEAR	01
- 9	0541191-3	. COVER PLATE	01
- 10	0541191-4	. COVER PLATE	01
- 11	0541191-5	. CLAMP	01
		ATTACHING PARTS	
12	AN515-6R6	. SCREW	03
13	AN3-4	. BOLT	01
14	MS21044N3	. NUT	01
		—*—	
15	0541226-1	. COVER-STEP BRACKET	02
16	1741005-59	. FAIRING-LH MAIN LANDING GEAR	01
- 16A	1741005-61	. FAIRING-ABS FOR SPARES ONLY	01 R
- 17	1741005-60	. FAIRING-RH MAIN LANDING GEAR	01
- 17A	1741005-62	. FAIRING-ABS FOR SPARES ONLY	01 R
		ATTACHING PARTS	
18	S1613-3-75	. NUT	05
- 19	NAS1329H3K80L	. NUT ALT FOR S1613-3-75	05
20	AN525-10R12	. SCREW	05
21	MS35206-228	. SCREW	03
		—*—	
22	0741047-2	. NUT-USE WITH FAIRING ONLY	02
- 23	MS24665-362	. COTTER PIN	02
24	AN6-6A	. BOLT	02
25	NAS1149F0632P	. WASHER	02
26	NAS1149F0663P	. WASHER	AR
27	0541223-17	. FAIRING ASSY-LH WHEEL MAIN LANDING GEAR	01
- 28	0541223-16	. FAIRING ASSY-RH WHEEL MAIN LANDING GEAR	01
29	0543084-1	. DOOR ASSY-FAIRING ACCESS	01
30	0541219-1	. DOUBLER-LH FAIRING	01
- 31	0541219-2	. DOUBLER-RH FAIRING	01
32	0541222-1	. DOUBLER-FAIRING	01
33	0541221-1	. SCRAPER-FAIRING	02
- 33A	0543079-20	. SHIM	04
		ATTACHING PARTS	
34	AN520-10R12	. SCREW	03
35	NAS1149F0363P	. WASHER	06
36	MS21044N3	. NUT	03
		—*—	
- 37	MS21059L3	. . NUTPLATE	06
- 37A	NAS1791A3-1	. . NUTPLATE ALT FOR MS21059L3	06
38	0541220-1	. MOUNTING PLATE ASSY-LH	01
- 39	0541220-2	. MOUNTING PLATE ASSY-RH	01
		ATTACHING PARTS	
40	AN525-10R10	. SCREW	07
- 41	S1450-3D9-032	. WASHER	07
		—*—	
42	MS21059L3	. . NUTPLATE	04
- 42A	NAS1791A3-1	. . NUTPLATE ALT FOR MS21059L3	04
43	MS21047L3K	. . NUTPLATE	03
44	0541218-1	. STIFFENER-LH FAIRING	01
- 45	0541218-2	. STIFFENER-RH FAIRING	01
46	0541224-1	. FAIRING ASSY-LH BRAKE	01
- 46A	0541224-13	. FAIRING ASSY-ABS FOR SPARES ONLY	01 R
- 47	0541224-2	. FAIRING ASSY-RH BRAKE	01
- 47A	0541224-14	. FAIRING ASSY-ABS FOR SPARES ONLY	01 R
		ATTACHING PARTS	
- 48	AN525-10R10	. SCREW	06
- 49	S1450-3D9-032	. WASHER	14
- 50	S1021Z6-6	. SCREW	04
		—*—	
- 51	FAK-201CC/MSL	. 172 MAIN LANDING GEAR STRUT COVER-LH 172	81545 81592 01
- 51A	FAK-201CC/MSL	. 172 MAIN LANDING GEAR STRUT COVER-LH 172S	10886 11120 01
- 52	FAK-201CC/MSR	. 172 MAIN LANDING GEAR STRUT COVER-RH 172	81545 81592 01
- 52A	FAK-201CC/MSR	. 172 MAIN LANDING GEAR STRUT COVER-RH 172S	10886 11120 01
- 53	FAK-201CC/MAIN	. 172 MAIN LANDING GEAR COVER-LH AND RH 172	81545 81592 02
- 53A	FAK-201CC/MAIN	. 172 MAIN LANDING GEAR COVER-LH AND RH 172S	10886 11120 02

- ITEM NOT ILLUSTRATED

CESSNA AIRCRAFT COMPANY
MODEL 172 (SERIES 1996 AND ON)
 ILLUSTRATED PARTS CATALOG

B307



NOSE GEAR INSTALLATION
 FIGURE 01 (SHEET 1)

0510T1007
 A0542R1006
 B0542R1006

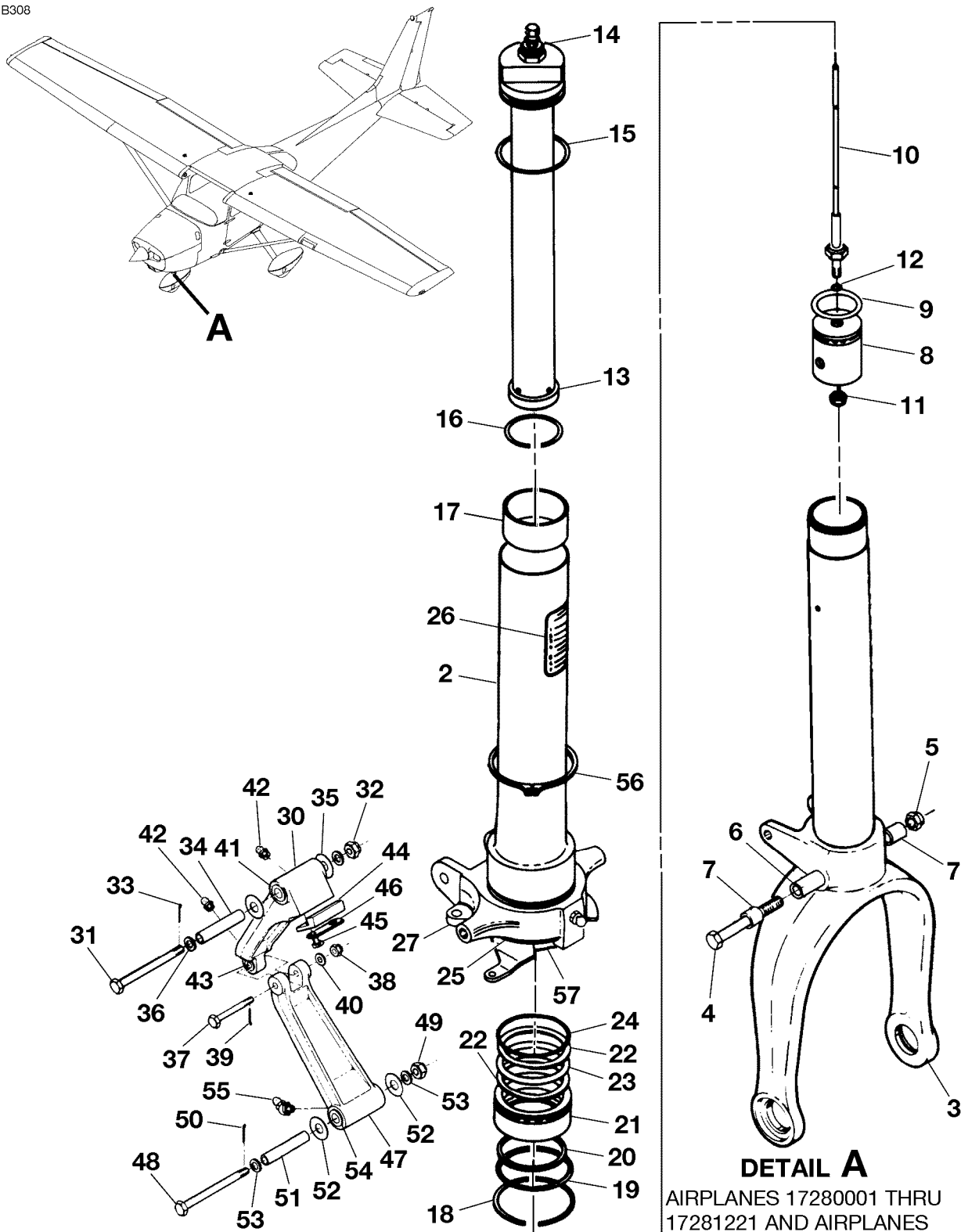
CESSNA AIRCRAFT COMPANY
MODEL 172 (SERIES 1996 AND ON)
ILLUSTRATED PARTS CATALOG

FIG ITEM	PART NUMBER	NOMENCLATURE	UNITS
			PER ASSY
01		NOSE GEAR INSTALLATION	
-		. SHOCK STRUT ASSY-NOSE GEAR REFER TO 32-20-01 FIGURE 01	RF
1		. ATTACHING PARTS	RF
2	AN5-31A	. BOLT	01
3	MS21042L5	. NUT	03
4	0543018-1	. CAP	01
5	AN5-10A	. BOLT	02
6	NAS1149F0563P	. WASHER	02
7	0543042-1	. SHIM .032 THICK	AR
8	0543042-2	. SHIM .016 THICK	AR
		—*—	
9		. DAMPENER ASSY-SHIMMY REFER TO 32-20-02 FIGURE 01	RF
10		. TUBE ASSY-STEERING LH REFER TO 32-50-00 FIGURE 01	RF
11		. TUBE ASSY-STEERING RH REFER TO 32-50-00 FIGURE 01	RF
		. ATTACHING PARTS	
12	AN3-10A	. BOLT	01
13	MS21045L3	. NUT	01
		—*—	
14	S1823-3	. BEARING-ROD END	02
15	AN316-6R	. NUT	02
16	S2357-2S	. CLAMP	02 R
17		. WHEEL ASSY-NOSE GEAR REFER TO 32-31-00 FIGURE 01	RF
		. ATTACHING PARTS	
18	AN5-47	. BOLT	01
19	AN310-5	. NUT	01
20	MS24665-134	. COTTER PIN	01
21	0543001-0	. FERRULE-AXLE BOLT	02
22	0543037-1	. SPACER-AXLE NOSE WHEEL	02
23	0543003-0	. TUBE-AXLE	01
		—*—	
24	0743627-7	. HUB CAP-NOSE GEAR VALVE STEM SIDE REPLACES 0743627-6	01
- 25	0743627-6	. HUB CAP-NOSE GEAR	01
		. ATTACHING PARTS	
26	MS35206-241	. SCREW	03
- 27	MS35333-38	. WASHER-REPLACES AN936A8.	03
		—*—	
- 28	6241M	. EXTENSION VALVE V17875	01
- 29	3680C	. EXTENSION VALVE ALT FOR 6241M V17875	01

- ITEM NOT ILLUSTRATED

CESSNA AIRCRAFT COMPANY
MODEL 172 (SERIES 1996 AND ON)
 ILLUSTRATED PARTS CATALOG

B308



DETAIL A

AIRPLANES 17280001 THRU
 17281221 AND AIRPLANES
 172S8001 THRU 172S9657

0510T1007
 A0542T1005

NOSE GEAR SHOCK STRUT ASSEMBLY
 FIGURE 01 (SHEET 1)

CESSNA AIRCRAFT COMPANY
MODEL 172 (SERIES 1996 AND ON)
ILLUSTRATED PARTS CATALOG

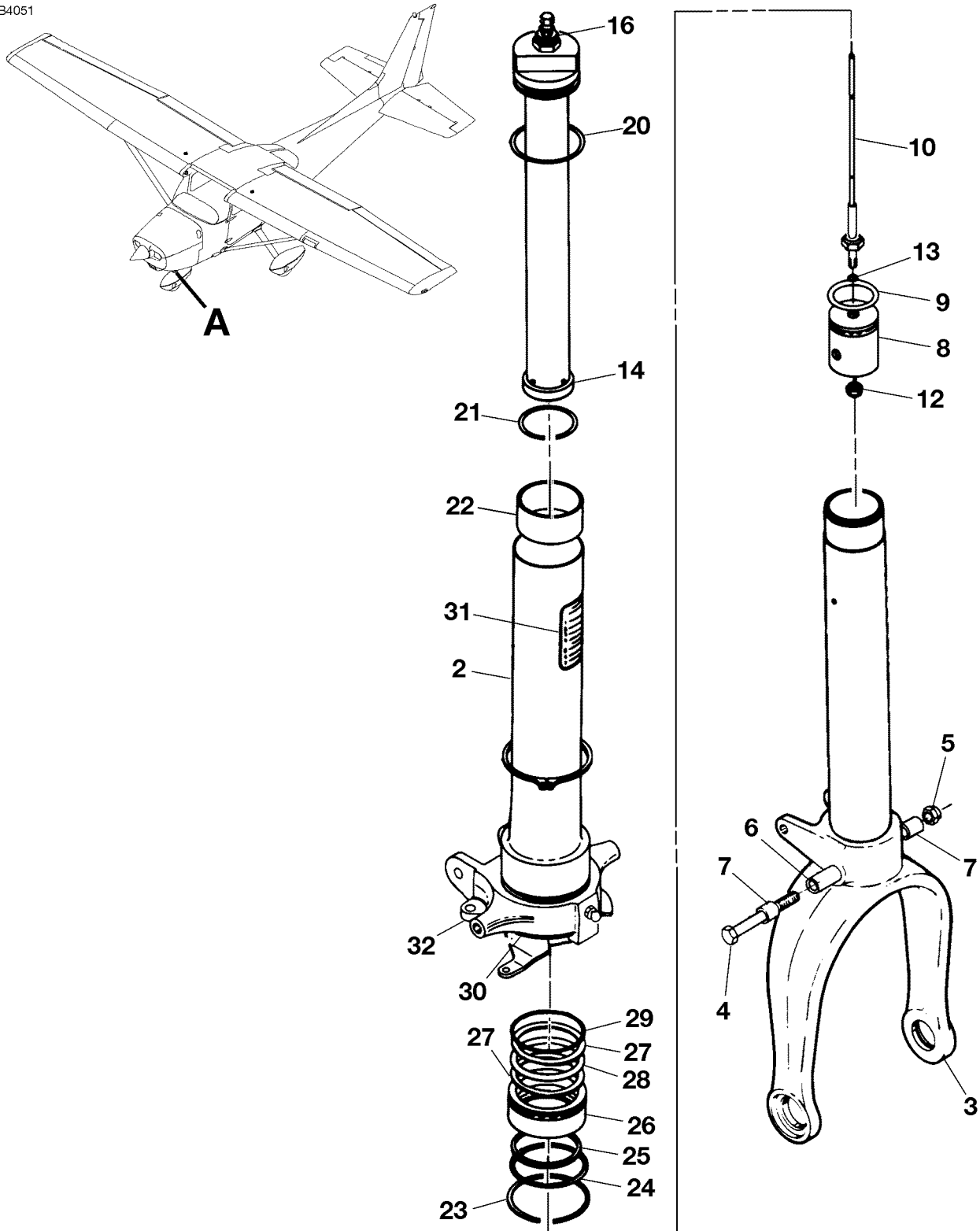
FIG ITEM	PART NUMBER	NOMENCLATURE	UNITS PER ASSY		
		1 2 3 4 5 6 7			
01		NOSE GEAR SHOCK STRUT ASSEMBLY	80001	81221	RF
-			08001	09657	
- 1	0543062-3	. SHOCK STRUT ASSY-NOSE GEAR 172	80001	81142	01
- 1A	0543062-3	. SHOCK STRUT ASSY-NOSE GEAR 172S	08001	09288	01
- 1B	0543062-20	. SHOCK STRUT ASSY-NOSE GEAR 172	81143	81221	01
- 1C	0543062-20	. SHOCK STRUT ASSY-NOSE GEAR 172S	09289	09657	01
2	0543008-2	. . TUBE ASSY-SHOCK STRUT FSO 0543090-2			NP
- 2A	0543090-2	. . TUBE ASSY			01
3	0543043-3	. . . FORK-NOSE GEAR			01
		ATTACHING PARTS			
4	AN5-47A	. . BOLT			01
5	MS21042L5	. . NUT			01
6	NAS75-5-231	. . BUSHING			01
7	0743009-1	. . BUSHING			02
		—*—			
8	0743612-1	. . PLUG-PIN BASE			01
9	MS28775-221	. . O-RING REFER TO NOTE 1			01
10	0442017-7	. . METERING PIN ASSY 172 FSO 0743091-1			NP
- 10A	0442017-7	. . METERING PIN ASSY 172S FSO 0743091-1			NP
- 10B	0743091-1	. . METERING PIN			01
11	MS21042L4	. . NUT			01
12	MS28775-010	. . O-RING REFER TO NOTE 1			01
13	0743621-9	. . ORIFICE ASSY-PISTON SUPPORT FSO 0743631-1			NP R
- 13A	0743631-1	. . STRUT TUBE ASSY			01 R
14	S1827-1	. . VALVE ASSY			01
15	MS28775-225	. . O-RING REFER TO NOTE 1			01
16	0841200-19	. . LOCK RING REFER TO NOTE 1			01
17	1243816-1	. . BEARING			01
18	0841200-25	. . LOCK RING REFER TO NOTE 1			01
19	0841200-15	. . RING PACK RETAINER			01
20	S2418-1	. . RING SCRAPER REFER TO NOTE 1			01
21	1243626-1	. . RING-PACK SUPPORT			01
22	S1628-329	. . RING-BACK UP REFER TO NOTE 1			02
23	MS28775-329	. . O-RING REFER TO NOTE 1			01
24	MS28775-228	. . O-RING REFER TO NOTE 1			01
25	0543029-0	. . WASHER			01
26		. . PLACARD REFER TO 11-10-00 FIGURE 01			RF
27	0743011-8	. . ARM ASSY-NOSE GEAR STEERING			01
- 28	S1997-44H16	. . BEARING			01
- 29	MS15002-1	. . FITTING-LUBRICATION FSO AS15002-1-C QTY 02			NP
30	0442506-1	. . TORQUE LINK ASSY-UPPER			01
31	AN4-31	. . BOLT-UPPER TORQUE LINK ATTACH			01
32	AN310-4	. . NUT-UPPER TORQUE LINK ATTACH			01
33	MS24665-134	. . COTTER PIN-UPPER TORQUE LINK ATTACH			01
34	0543047-1	. . SPACER-UPPER TORQUE LINK ATTACH			01
35	S1450-6B14-010	. . WASHER-UPPER TORQUE LINK ATTACH			AR
36	NAS1149F0432P	. . WASHER-UPPER TORQUE LINK ATTACH			AR
37	NAS464-3-22	. . BOLT-UPPER TORQUE LINK ATTACH			01
38	AN310-3	. . NUT-UPPER TORQUE LINK ATTACH			01
39	MS24665-132	. . COTTER PIN-UPPER TORQUE LINK ATTACH			01
40	NAS1149F0332P	. . WASHER UPPER TORQUE LINK ATTACH			01
41	NAS77-6-088	. . BUSHING REPLACES NAS77-6-88			01
42	MS15002-1	. . FITTING LUBE FSO AS15002-1-C			NP
- 42A	AS15002-1-C	. . FITTING-LUBRICATION			02
43	NAS77-3-23	. . BUSHING FSO NAS77-3-023 QTY 02			NP
44	0442506-8	. . STOP LUG			01
45	AN3-3A	. . BOLT			02
46	0442506-9	. . LUG-SAFETY			01
47	0442506-2	. . TORQUE LINK-LOWER			01
48	AN4-31	. . BOLT-LOWER TORQUE LINK ATTACH			01
49	AN310-4	. . NUT-LOWER TORQUE LINK ATTACH			01
50	MS24665-134	. . COTTER PIN-LOWER TORQUE LINK ATTACH			01
51	0543047-1	. . SPACER-LOWER TORQUE LINK ATTACH			01
52	S1450-6B14-010	. . WASHER-LOWER TORQUE LINK ATTACH			AR
53	NAS1149F0432P	. . WASHER-LOWER TORQUE LINK ATTACH			AR
54	NAS77-6-88	. . BUSHING			02
55	MS15002-3	. . FITTING-LUBE FSO AS15002-3-C			NP
- 55A	AS15002-3-C	. . FITTING-LUBRICATION			01
56	MS16624-1275	. . RING-RETAINING			01
57	1243030-5	. . SHIM .006 THICK			AR
- 58	1243030-6	. . SHIM .012 THICK			AR
- 59	1243030-7	. . SHIM .020 THICK			AR
- 60	0543062-207	. . SHOCK STRUT ASSY-LOWER			01

NOTE 1—THESE PARTS ARE INCLUDED IN SK172-1 KIT INCORPORATING SB04-32-01.

- ITEM NOT ILLUSTRATED

CESSNA AIRCRAFT COMPANY
MODEL 172 (SERIES 1996 AND ON)
 ILLUSTRATED PARTS CATALOG

B4051



DETAIL A

0510T1007
 A0542T1005

NOSE GEAR SHOCK STRUT ASSEMBLY
 FIGURE 01A (SHEET 1)

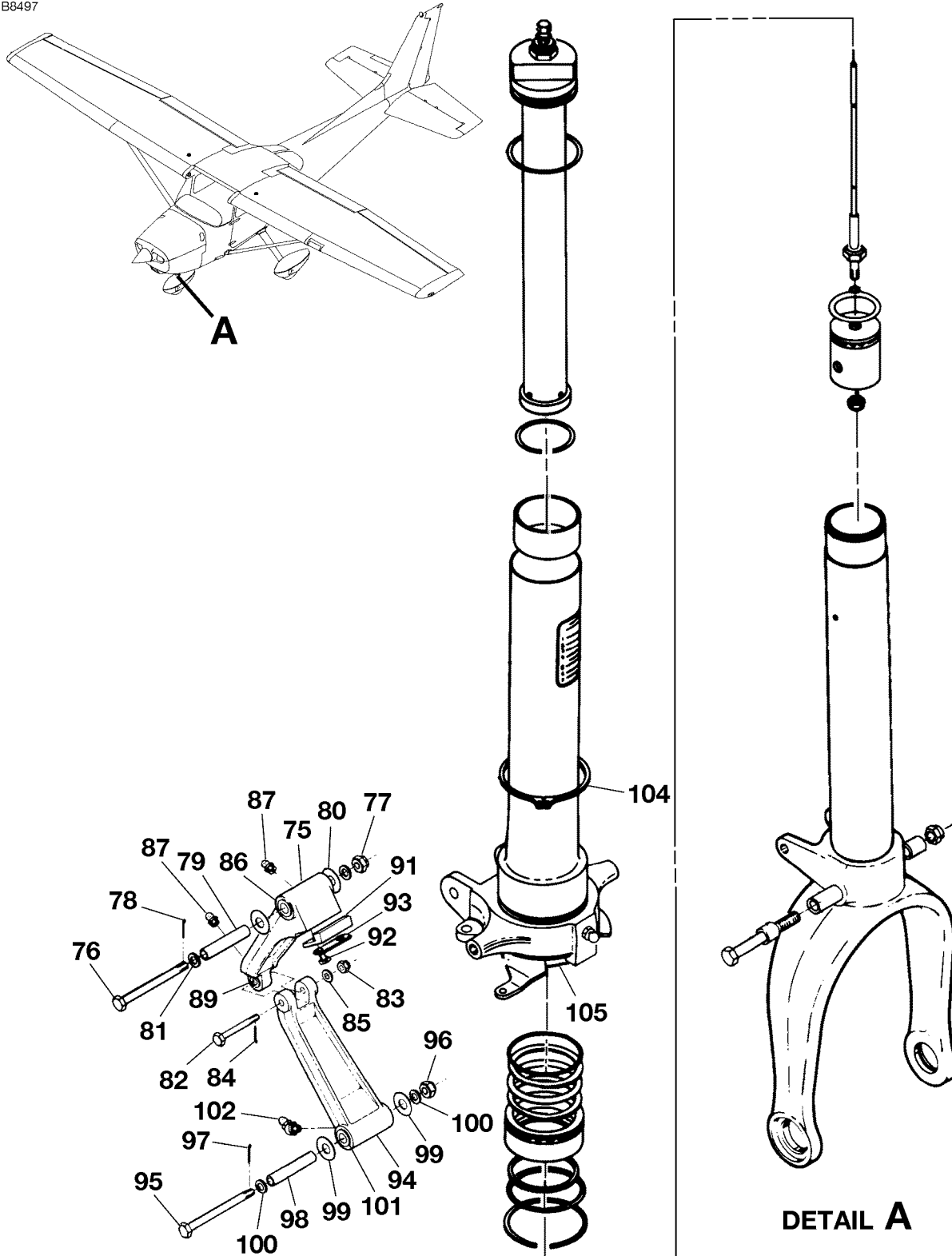
CESSNA AIRCRAFT COMPANY
MODEL 172 (SERIES 1996 AND ON)
ILLUSTRATED PARTS CATALOG

FIG ITEM	PART NUMBER	NOMENCLATURE	UNITS PER ASSY
	1 2 3 4 5 6 7		
01A		NOSE GEAR SHOCK STRUT ASSEMBLY	
-			81222 & ON RF
			09658 & ON
- 1	0543062-22	. SHOCK STRUT ASSY-NOSE GEAR 172 FSO 0543062-27	81222 81355 NP
- 1A	0543062-22	. SHOCK STRUT ASSY-NOSE GEAR 172S FSO 0543062-27	09658 10409 NP
- 1B	0543062-24	. SHOCK STRUT ASSY-NOSE GEAR 172 FSO 0543062-27	81356 81533 NP
- 1C	0543062-24	. SHOCK STRUT ASSY-NOSE GEAR 172S FSO 0543062-27	10410 10764 NP
- 1D	0543062-25	. SHOCK STRUT ASSY-NOSE GEAR 172 FSO 0543062-27	81534 81574 NP
- 1E	0543062-25	. SHOCK STRUT ASSY-NOSE GEAR 172S FSO 0543062-27	10765 11084 NP
- 1F	0543062-27	. SHOCK STRUT ASSY-NOSE GEAR 172 FSO 0543062-29	81575 81621 NP R
- 1G	0543062-27	. SHOCK STRUT ASSY-NOSE GEAR 172S FSO 0543062-29	11085 11264 NP R
- 1H	0543062-29	. SHOCK STRUT ASSY-NOSE GEAR 172	81622 & ON 01 R
- 1J	0543062-29	. SHOCK STRUT ASSY-NOSE GEAR 172S	11265 & ON 01 R
2	0543090-2	. . TUBE WELD ASSY-SHOCK STRUT	01
3	0543043-3	. . FORK-NOSE GEAR	01
		ATTACHING PARTS	
4	AN5-47A	. . BOLT	01
5	MS21042L5	. . NUT	01
6	NAS75-5-231	. . BUSHING	01
7	0743009-1	. . BUSHING	02
		—*—	
8	0743612-1	. . PLUG-PIN BASE	01
9	MS28775-221	. . O-RING	01
10	0743091-1	. . METERING PIN ASSY 172	01
- 11	0743091-1	. . METERING PIN ASSY 172S	01
12	MS21042L4	. . NUT	01
13	MS28775-010	. . O-RING	01
14	0743621-9	. . ORIFICE ASSY-PISTON SUPPORT 172	81222 & ON 01
- 14A	0743621-9	. . ORIFICE ASSY-PISTON SUPPORT 172S	09658 & ON 01
- 15	0743631-1	. . STRUT TUBE ASSY 172 FSO 0743631-5	81534 81621 NP R
- 15A	0743631-1	. . STRUT TUBE ASSY 172S FSO 0743631-5	10765 11264 NP R
- 15B	0743631-5	. . STRUT TUBE ASSY 172	81622 & ON 01 R
- 15C	0743631-5	. . STRUT TUBE ASSY 172S	11265 & ON 01 R
16	S1827-1	. . VALVE ASSY 172	81534 & ON 01 R
- 16A	S1827-1	. . VALVE ASSY 172S	10765 & ON 01 R
- 17	S2637-8Z4	. . GROOVE PIN 172	81534 81621 01 R
- 17A	S2637-8Z4	. . GROOVE PIN 172S	10765 11264 01 R
- 18	0743631-2	. . STRUT TUBE 172	81534 81621 01 R
- 18A	0743631-2	. . STRUT TUBE 172S	10765 11264 01 R
- 18B	0743631-6	. . STRUT TUBE 172	81622 & ON 01 R
- 18C	0743631-6	. . STRUT TUBE 172S	11265 & ON 01 R
- 19	0743631-4	. . SHOCK STRUT HEAD 172	81534 81621 01 R
- 19A	0743631-4	. . SHOCK STRUT HEAD 172S	10765 11264 01 R
- 19B	0743631-7	. . SHOCK STRUT HEAD 172	81622 & ON 01 R
- 19C	0743631-7	. . SHOCK STRUT HEAD 172S	11265 & ON 01 R
20	MS28775-225	. . O-RING	01 R
21	0841200-19	. . LOCK RING	01 R
22	1243021-1	. . BEARING	01 R
23	0841200-25	. . LOCK RING	01 R
24	0841200-15	. . RING-PACK RETAINER	01 R
25	S2418-1	. . RING-SCRAPER	01 R
26	1243626-1	. . RING-PACK SUPPORT	01 R
27	S1628-329	. . RING-BACK UP	02 R
28	MS28775-329	. . O-RING	01 R
29	MS28775-228	. . O-RING	01 R
30	0543029-0	. . WASHER	01 R
31		. . PLACARD REFER TO 11-10-00 FIGURE 01	RF R
32	0743011-8	. . ARM ASSY-NOSE GEAR STEERING	01 R
- 33	S1997-44H16	. . BEARING	01 R
- 34	MS15002-1	. . FITTING-LUBRICATION FSO AS15002-1-C	NP R
- 34A	AS15002-1-C	. . FITTING-LUBRICATION	01 R

- ITEM NOT ILLUSTRATED

CESSNA AIRCRAFT COMPANY
MODEL 172 (SERIES 1996 AND ON)
ILLUSTRATED PARTS CATALOG

B8497



NOSE GEAR SHOCK STRUT ASSEMBLY
FIGURE 01A (SHEET 2)

0510T1007
A0542T1005

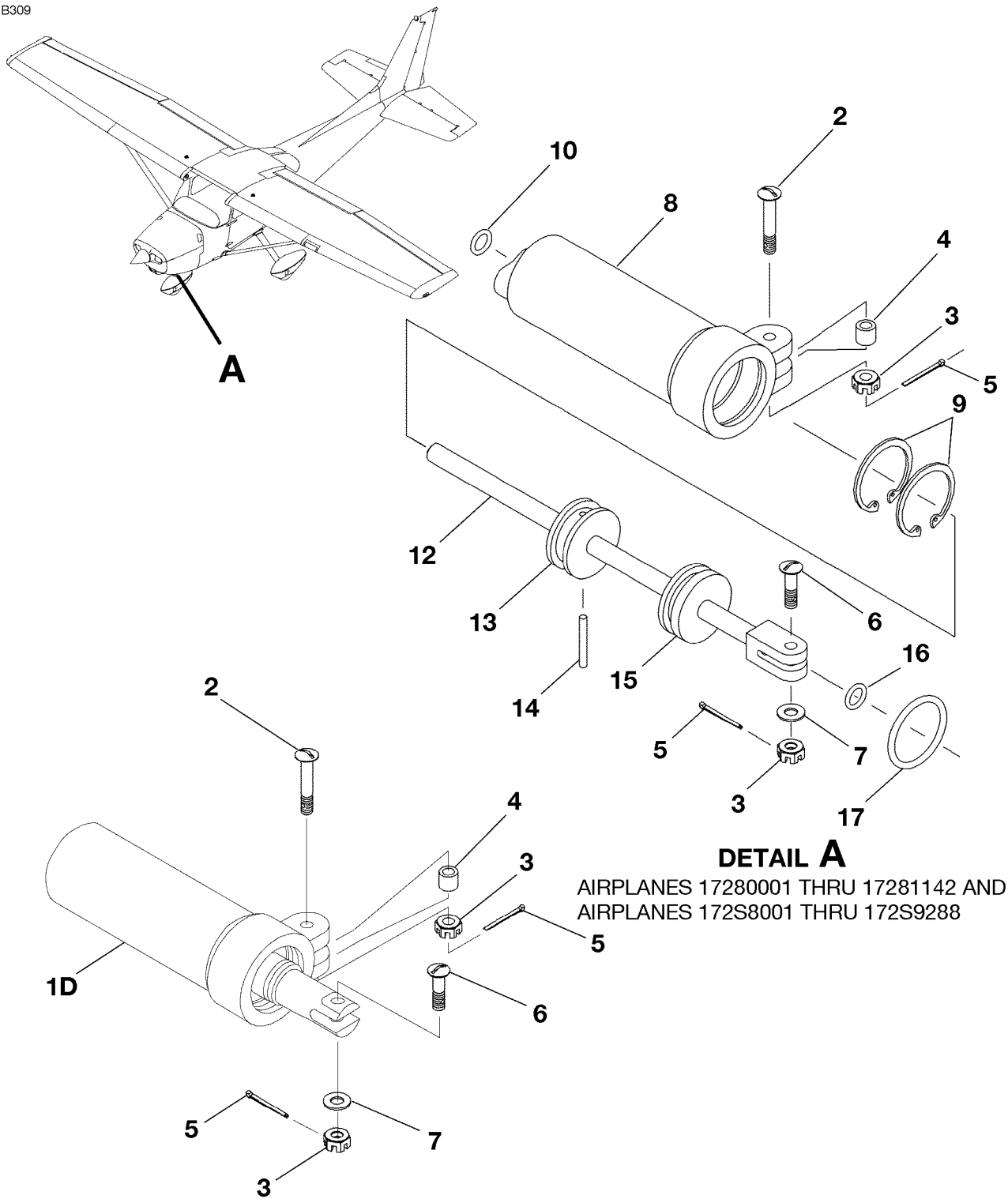
CESSNA AIRCRAFT COMPANY
MODEL 172 (SERIES 1996 AND ON)
 ILLUSTRATED PARTS CATALOG

FIG ITEM	PART NUMBER	NOMENCLATURE	UNITS
			PER ASSY
01A			
75	0442506-1	. . . TORQUE LINK ASSY-UPPER ATTACHING PARTS	01
76	AN4-31	. . . BOLT	01
77	AN310-4	. . . NUT	01
78	MS24665-134	. . . COTTER PIN	01
79	0543047-1	. . . SPACER	01
80	S1450-6B14-010	. . . WASHER	AR
81	NAS1149F0432P	. . . WASHER	AR
82	NAS464-3-22	. . . BOLT	01
83	AN310-3	. . . NUT	01
84	MS24665-132	. . . COTTER PIN	01
85	NAS1149F0332P	. . . WASHER —*—	01
86	NAS77-6-088	. . . BUSHING REPLACES NAS77-6-88	01
87	MS15002-1	. . . FITTING LUBE FSO AS15002-1-C	NP
- 88	AS15002-1-C	. . . LUBRICATION FITTING	02
89	NAS77-3-23	. . . BUSHING FSO NAS77-3-023	NP
- 90	NAS77-3-023	. . . BUSHING	02
91	0442506-8	. . . STOP LUG	01
92	AN3-3A	. . . BOLT	02
93	0442506-9	. . . LUG-SAFETY	01
94	0442506-2	. . . TORQUE-LINK-LOWER ATTACHING PARTS	01
95	AN4-31	. . . BOLT	01
96	AN310-4	. . . NUT	01
97	MS24665-134	. . . COTTER PIN	01
98	0543047-1	. . . SPACER	01
99	S1450-6B14-010	. . . WASHER	AR
100	NAS1149F0432P	. . . WASHER —*—	AR
101	NAS77-6-88	. . . BUSHING	02
102	MS15002-3	. . . FITTING-LUBE FSO AS15002-1-C	NP
- 103	AS15002-1-C	. . . LUBRICATION FITTING	01
104	MS16624-1275	. . . RING-RETAINING	01
105	1243030-5	. . . SHIM .006 THICK	AR
- 106	1243030-6	. . . SHIM .012 THICK	AR
- 107	1243030-7	. . . SHIM .020 THICK	AR
- 108	0543062-207	. . . SHOCK STRUT ASSY-LOWER	01

- ITEM NOT ILLUSTRATED

CESSNA AIRCRAFT COMPANY
MODEL 172 (SERIES 1996 AND ON)
 ILLUSTRATED PARTS CATALOG

B309



DETAIL A

AIRPLANES 17280001 THRU 17281142 AND
 AIRPLANES 172S8001 THRU 172S9288

DETAIL A

AIRPLANES 17281143 AND ON AND
 AIRPLANES 172S9289 AND ON

SHIMMY DAMPENER INSTALLATION
 FIGURE 01 (SHEET 1)

0510T1007
 A0542T1003
 B0542T1003A

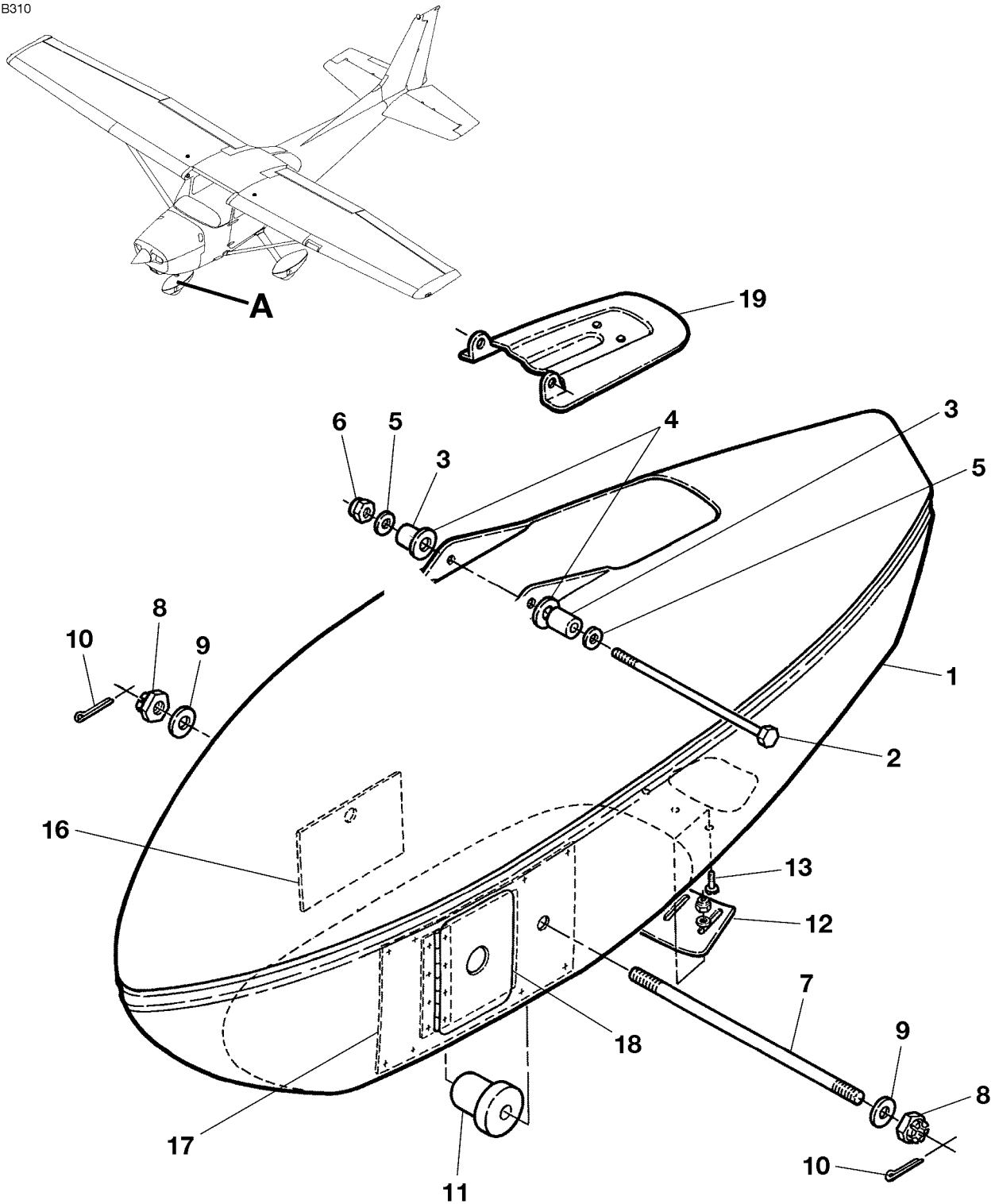
CESSNA AIRCRAFT COMPANY
MODEL 172 (SERIES 1996 AND ON)
 ILLUSTRATED PARTS CATALOG

FIG ITEM	PART NUMBER	NOMENCLATURE	UNITS	
			PER	ASSY
		1 2 3 4 5 6 7		
01		SHIMMY DAMPENER INSTALLATION		RF
-				
- 1	0442512-1	. DAMPENER ASSEMBLY-SHIMMY 172 FSO SE-1051-2 172	80001	81142 NP
- 1A	0442512-1	. DAMPENER ASSEMBLY-SHIMMY 172S FSO SE-1051-2 172S	08001	09288 NP
- 1B	SE-1051-2	. SHIMMY DAMPENER 172	80001	81142 01 R
- 1C	SE-1051-2	. SHIMMY DAMPENER 172S	08001	09288 01
- 1D	SE-1051-4	. SHIMMY DAMPENER 172	81143	& ON 01
- 1E	SE-1051-4	. SHIMMY DAMPENER 172S	09289	& ON 01
		ATTACHING PARTS		
2	AN23-17	. BOLT		01
3	AN320-3	. NUT		02
4	NAS75-3-009	. SPACER		01
5	MS24665-132	. COTTER PIN		02
6	AN23-11	. BOLT		01
7	NAS1149F0332P	. WASHER		01
		—*—		
8	0542100-6	. . BARREL-SHIMMY DAMPENER 172	80001	81142 01
- 8A	0542100-6	. . BARREL-SHIMMY DAMPENER 172S	08001	09288 01
9	MS16625-118	. . RING-SNAP 172	80001	81142 02
- 9A	MS16625-118	. . RING-SNAP 172S	08001	09288 02
10	MS28775-011	. . O-RING 172	80001	81142 01
- 10A	MS28775-011	. . O-RING 172S	08001	09288 01
- 11	0542118-5	. . PISTON ASSEMBLY 172	80001	81142 01
- 11A	0542118-5	. . PISTON ASSEMBLY 172S	08001	09288 01
12	0542101-1	. . SHAFT FSO 0542120-1 172	80001	81142 NP
- 12A	0542120-1	. . . SHAFT 172	80001	81142 01
- 12B	0542101-1	. . . SHAFT FSO 0542120-1 172S	08001	09288 NP
- 12C	0542120-1	. . . SHAFT 172S	08001	09288 01
13	0842400-3	. . . PISTON 172	80001	81142 01
- 13A	0842400-3	. . . PISTON 172S	08001	09288 01
14	NAS561P4-14	. . . ROLL PIN 172	80001	81142 01
- 14A	NAS561P4-14	. . . ROLL PIN 172S	08001	09288 01
- 14B	MS16562-37	. . . ROLL PIN EQUIVALENT TO NAS561P4-14		01
15	0542102-3	. . . HEAD BEARING 172	80001	81142 01
- 15A	0542102-3	. . . HEAD BEARING 172S	08001	09288 01
16	MS28775-011	. . . O-RING 172	80001	81142 01
- 16A	MS28775-011	. . . O-RING 172S	08001	09288 01
17	MS28775-213	. . . O-RING 172	80001	81142 01
- 17A	MS28775-213	. . . O-RING 172S	08001	09288 01

- ITEM NOT ILLUSTRATED

CESSNA AIRCRAFT COMPANY
MODEL 172 (SERIES 1996 AND ON)
ILLUSTRATED PARTS CATALOG

B310



DETAIL A

NOSE GEAR FAIRING INSTALLATION
FIGURE 01 (SHEET 1)

0510T1007
A0542T1012

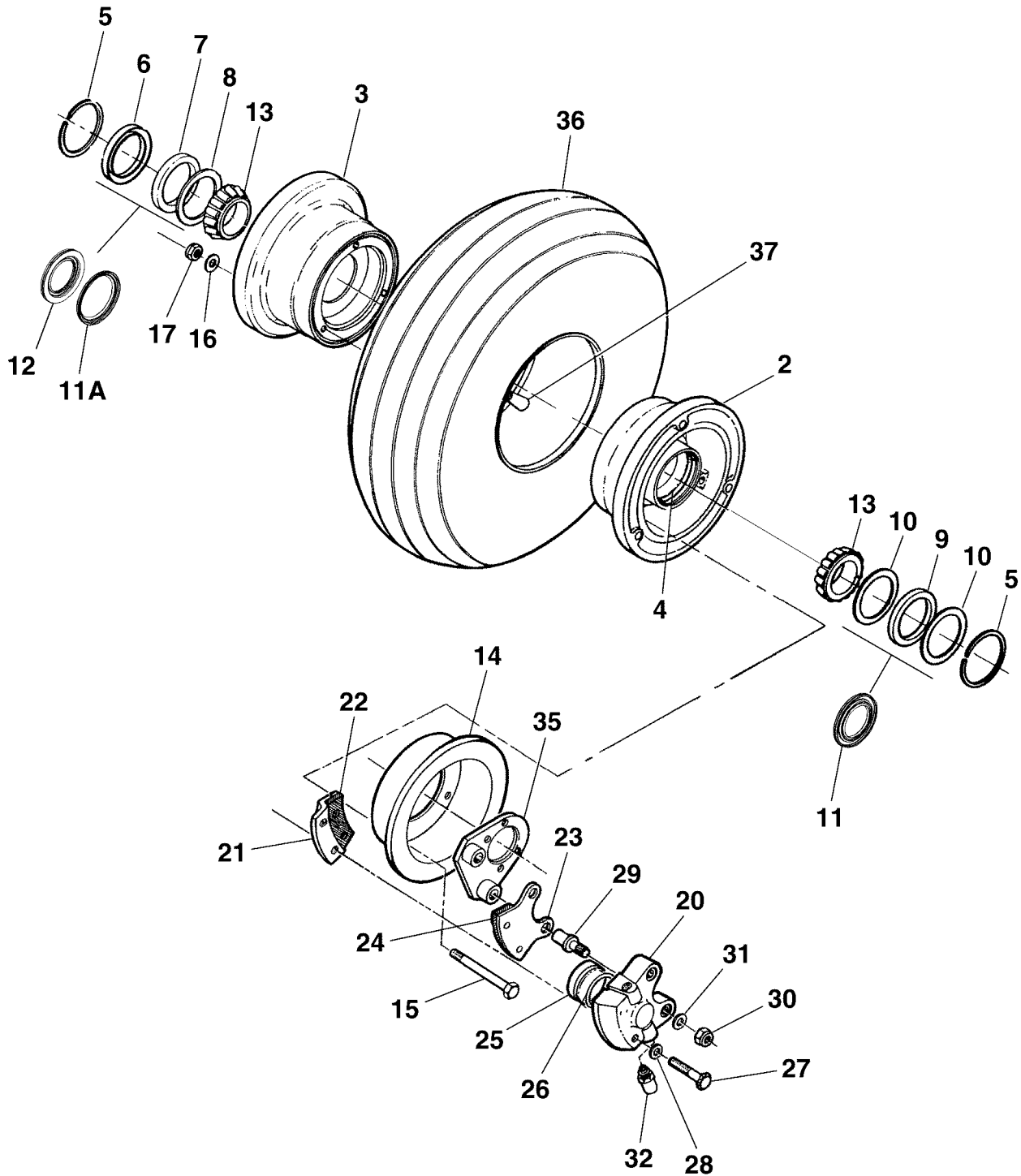
CESSNA AIRCRAFT COMPANY
MODEL 172 (SERIES 1996 AND ON)
ILLUSTRATED PARTS CATALOG

FIG ITEM	PART NUMBER	NOMENCLATURE	UNITS	
			PER	ASSY
01		NOSE GEAR FAIRING INSTALLATION		RF
- 1	0543079-15	. SPEED FAIRING ASSY-NOSE GEAR 172	81098 & ON	01
- 1A	0543079-15	. SPEED FAIRING ASSY-NOSE GEAR 172S	09063 & ON	01
- 1B	0543079-3	. SPEED FAIRING ASSY-NOSE GEAR 172 FSO 0543079-15	80001 81097	NP
- 1C	0543079-3	. SPEED FAIRING ASSY-NOSE GEAR 172S FSO 0543079-15	08001 09062	NP
		ATTACHING PARTS		
2	AN5-51A	. BOLT		01
3	0743009-1	. SPACER		02
4	S2111-1	. WASHER		02
5	S1450-3-10-032	. WASHER 172	81098 & ON	AR
- 5A	S1450-3-10-032	. WASHER 172S	09063 & ON	AR
6	MS21042L5	. NUT		01
7	0742410-27	. STUD		01
8	AN310-5	. NUT		02
9	S1450-5-12-035	. WASHER		02
10	MS24665-136	. COTTER PIN		02
11	0742410-8	. FERRULE		02
		—*—		
12	0541221-2	. SCRAPER		01
		ATTACHING PARTS		
13	MS35207-265	. SCREW		03
- 14	NAS1149F0363P	. WASHER		06
- 15	MS21044N3	. NUT		03
		—*—		
16	0541207-3	. DOUBLER		01
17	0541222-5	. DOUBLER-SPEED FAIRING		01
18	0543084-1	. DOOR ASSY-SPEED FAIRING		01
- 18A	0543079-20	. SHIM 172	81098 & ON	04 R
- 18B	0543079-20	. SHIM 172S	09063 & ON	04 R
19	0543063-7	. COVER PLATE ASSY		01
		ATTACHING PARTS		
- 20	AN4-31	. BOLT		01
- 21	AN310-4	. NUT		01
- 22	NAS1149F0432P	. WASHER		AR
- 23	MS24665-134	. COTTER PIN		01
		—*—		
- 24		. BRAKE FAIRING ATTACHMENT REFER TO 31-10-00 FIGURE 01		RF
- 25		. MAIN LANDING GEAR FAIRING ATTACH REFER TO 32-11-00 FIGURE 01		RF
- 26	0543089-1	. BRACKET REFER TO NOTE 1		01
- 27	0543089-2	. BRACKET DOUBLER REFER TO NOTE 1		01
- 28	MS24665-136	. COTTER PIN REFER TO NOTE 1		01
- 29	FAK-201CC/NOSE	. 172 NLG COVER (4 PCS) 172	81545 81592	01
- 29A	FAK-201CC/NOSE	. 172 NLG COVER (4 PCS) 172S	10886 11120	01

NOTE 1—AIRPLANES 17280001 THRU 17281097 AND AIRPLANES 172S8001 THRU 172S9062 INCORPORATING MK172-32-01

CESSNA AIRCRAFT COMPANY
MODEL 172 (SERIES 1996 AND ON)
ILLUSTRATED PARTS CATALOG

B311



0541R2001

WHEEL AND BRAKE ASSEMBLY - MAIN LANDING GEAR
FIGURE 01 (SHEET 1)

CESSNA AIRCRAFT COMPANY
MODEL 172 (SERIES 1996 AND ON)
ILLUSTRATED PARTS CATALOG

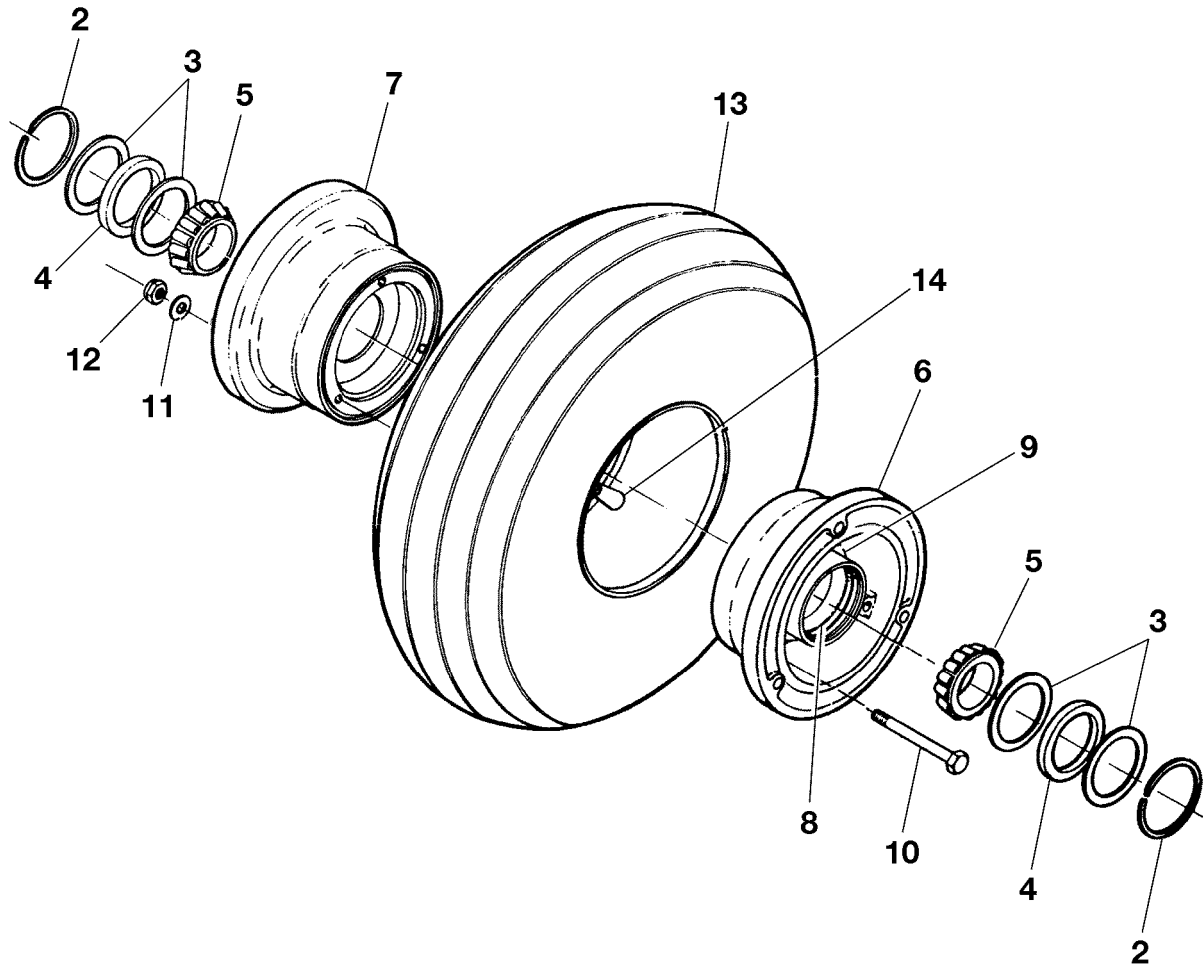
FIG ITEM	PART NUMBER	NOMENCLATURE	UNITS PER ASSY
	1 2 3 4 5 6 7		
01		WHEEL AND BRAKE ASSEMBLY - MAIN LANDING GEAR	RF
- 1	C163001-0104	WHEEL ASSY-MAIN GEAR VENDOR P/N 40-113	02 R
2	161-04900	WHEEL HALF ASSY-INNER	01
3	162-04700	WHEEL HALF ASSY-OUTER	01
4	214-00100	CUP-BEARING	01
5	155-00100	SNAP RING	02
6	153-01500	RING-GREASE SEAL REFER TO NOTE 2	01
7	154-01300	FELT-GREASE SEAL REFER TO NOTE 2	01
8	153-00300	RING-GREASE SEAL REFER TO NOTE 2	01
9	154-00300	FELT-GREASE SEAL REFER TO NOTE 2	01
10	153-00400	RING-GREASE SEAL REFER TO NOTE 2	02
11	154-12000	SEAL-MOLDED GREASE REFER TO NOTE 2	01
11A	153-00300	RING-GREASE SEAL REFER TO NOTE 2	01 R
12	154-12400	SEAL-MOLDED GREASE REFER TO NOTE 2	01
13	214-00200	CONE-BEARING	02
14	164-04000	DISC ASSY-BRAKE	01
15	AN4-36A	BOLT	03
16	NAS1149F0463P	WASHER	03
17	AN365-428	NUT	03
- 18	30-75A	BRAKE ASSY LH AND RH REFER TO NOTE 1	02
- 19	091-04400	CYLINDER ASSY	01
20	061-14100	CYLINDER	01
21	074-01000	BACK PLATE ASSY	01
22	066-10500	LINING	01
23	073-01100	PRESSURE PLATE ASSY	01
24	066-10500	LINING	01
25	092-07500	PISTON ASSY	01
26	MS28775-224	O-RING	01
27	103-11600	BOLT	02
28	AN960-416L	WASHER	02
29	069-02500	BOLT-ANCHOR	02
30	MS21044-N4	NUT	02
31	AN960-416L	WASHER	02
32	079-00300	SCREW-BLEEDER	01
- 33	183-00100	CAP-BLEEDER SCREW	01
- 34	081-00100	SEAT-BLEEDER SCREW	01
35	075-06700	TORQUE PLATE ASSY	01
36	C262003-0101	TIRE 6.00 X 6 4 PLY RATED 172	02
- 36A	070-315-0	TIRE EQU TO C262003-0101	02
- 36B	071-315-0	TIRE EQU TO C262003-0101	02
- 36C	072-315-0	TIRE EQU TO C262003-0101	02
- 36D	C262003-0204	TIRE 6.00 X 6 6 PLY RATED EQU 9910336-1 172 AIRPLANES INCORPORATING MK172-72-01C	02
- 36E	070-314-0	TIRE EQU TO C262003-0204	02
- 36F	071-314-0	TIRE EQU TO C262003-0204	02
- 36G	072-314-0	TIRE EQU TO C262003-0204	02
- 36H	C262003-0219	TIRE 6.00 X 6 6 PLY PREMIUM TYPE III 172S	02
- 36J	9910336-1	TIRE 6.00 X 6 6 PLY PREMIUM TYPE III 172S EQU TO C262003-0219	02
37	C262023-0102	TUBE 6.00 X 6	02
- 38		MAIN LANDING GEAR REFER TO 32-10-00 FIGURE 01	RF

NOTE 1—BRAKE ASSEMBLIES DESCRIBED ARE NORMALLY LH, REVERSE FITTINGS & TORQUE PLATE BUSHING FOR RH INSTALLATION.

NOTE 2—WHEEL ASSEMBLIES ARE DELIEVERED WITH EITHER ITEMS 6, 7, 8, 9, 10 AND 11A FELT TYPE GREASE SEALS AND RINGS, OR ITEMS 11 AND 12 MOLDED GREASE SEALS. EITHER CONFIGURATION IS ALLOWABLE. ALL NEW AND REPLACEMENT ASSEMBLIES ARE DELIVERED WITH MOLDED GREASE SEALS. ORDER SPARES BASED ON THE CONFIGURATION OF YOUR PARTICULAR WHEEL ASSEMBLY.

CESSNA AIRCRAFT COMPANY
MODEL 172 (SERIES 1996 AND ON)
ILLUSTRATED PARTS CATALOG

B312



WHEEL ASSEMBLY-NOSE GEAR CLEVELAND
FIGURE 01 (SHEET 1)

0542R1002

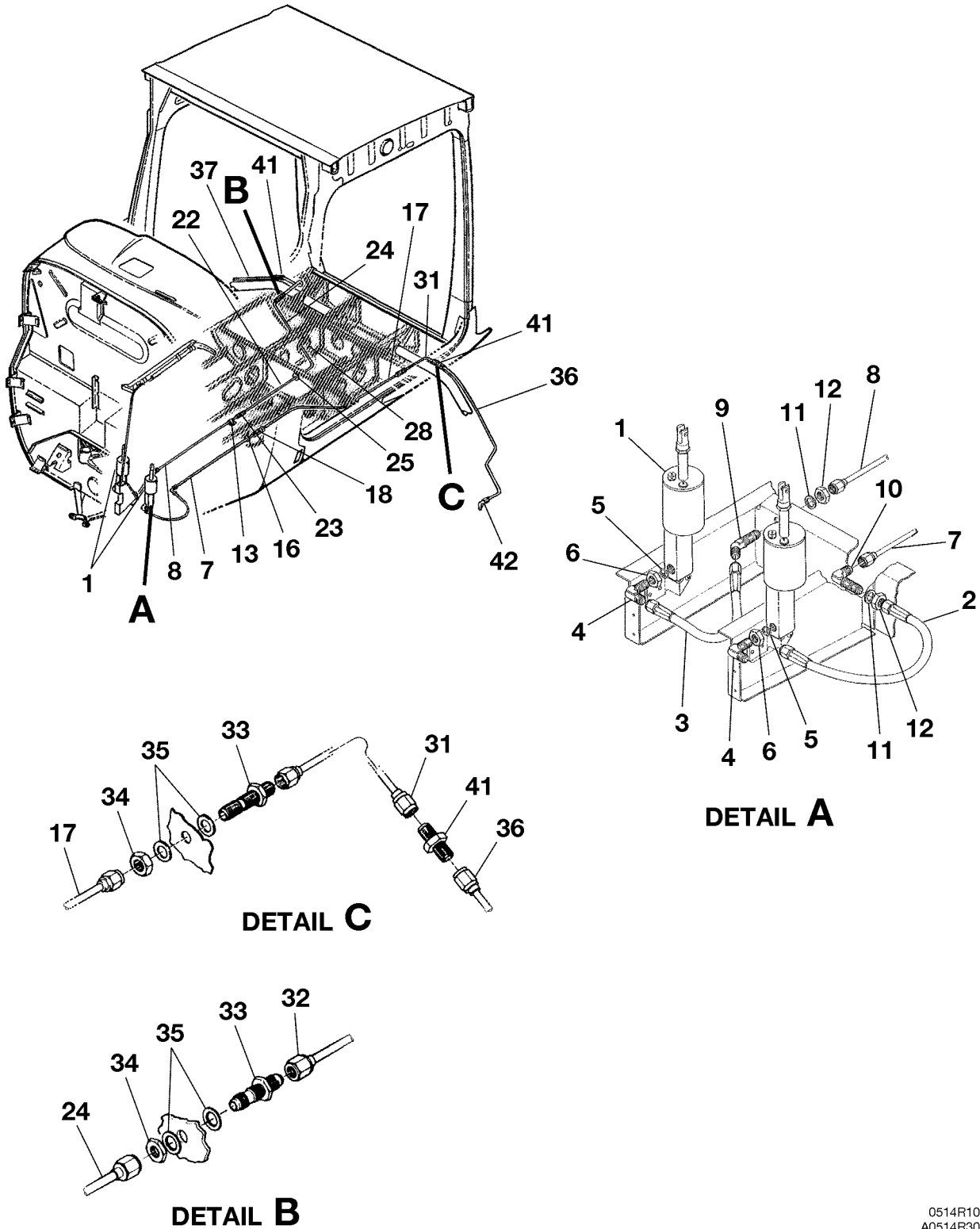
CESSNA AIRCRAFT COMPANY
MODEL 172 (SERIES 1996 AND ON)
 ILLUSTRATED PARTS CATALOG

FIG ITEM	PART NUMBER	NOMENCLATURE	UNITS
			PER ASSY
01		WHEEL ASSEMBLY-NOSE GEAR CLEVELAND	RF
- 1	1241156-12	. WHEEL ASSEMBLY	01
2	155-00200	. . RING	02
3	153-00800	. . RING-GREASE SEAL	04
4	154-00600	. . GREASE SEAL-FELT	02
5	214-00400	. . BEARING	02
6	161-03100	. . WHEEL HALF-MALE	01
7	162-02800	. . WHEEL HALF-FEMALE	01
8	214-00300	. . . CUP-BEARING	01
9	217-00100	. . GROMMET	01
10	AN4-22A	. . BOLT	03
11	NAS1149F0463P	. . WASHER	06
12	MS21044N4	. . NUT REFER TO NOTE 1	03 R
13	C262003-0202	. TIRE 5.00 X 5 6 PLY RATED V25500	01
- 13A	070-312-0	. TIRE 5.00 X 5 6 PLY RATED EQU TO C262003-0202 V0A1K8	01
- 13B	071-312-0	. TIRE 5.00 X 5 6 PLY RATED EQU TO C262003-0202 V0A1K8	01
- 13C	072-312-0	. TIRE 5.00 X 5 6 PLY RATED EQU TO C262003-0202 V0A1K8	01
14	C262023-0101	. TUBE 5.00 X 5 V25500	01
- 15	C262023-0218	. TUBE 5.00 X 5 6 PLY PREMIUM TYPE II OPTION V25500	01
- 16		. NOSE GEAR INSTALLATION REFER TO 32-20-00 FIGURE 01	RF

NOTE 1—WHEN REPLACING MS21044-4 NUTS WITH MS21044N4 NUTS, DO NOT MIX; REPLACE AS A SET.

CESSNA AIRCRAFT COMPANY
MODEL 172 (SERIES 1996 AND ON)
 ILLUSTRATED PARTS CATALOG

B313



BRAKE SYSTEM
 FIGURE 01 (SHEET 1)

0514R1008
 A0514R3002
 B0514R1009
 C0514R1009

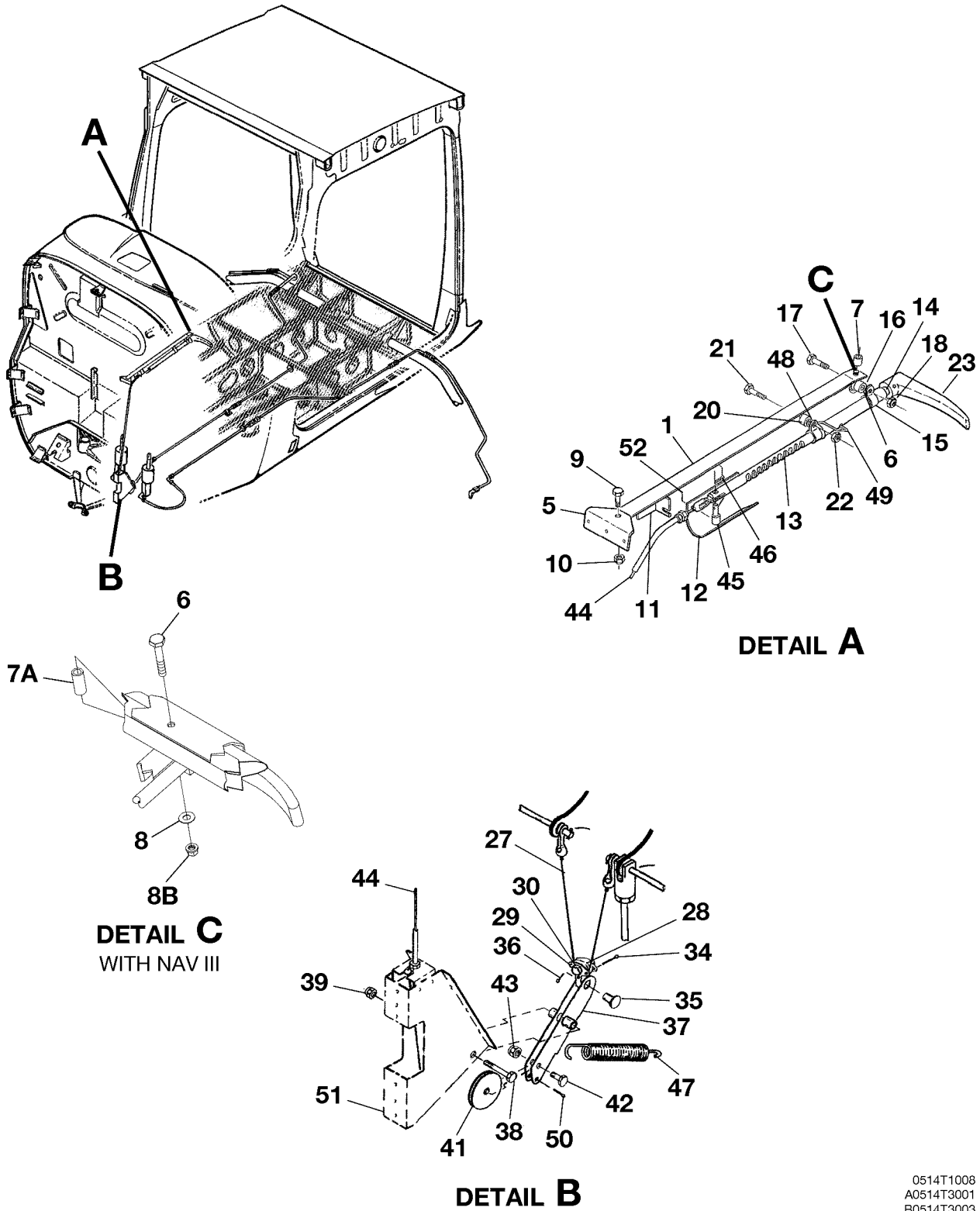
CESSNA AIRCRAFT COMPANY
MODEL 172 (SERIES 1996 AND ON)
ILLUSTRATED PARTS CATALOG

FIG ITEM	PART NUMBER	NOMENCLATURE	UNITS	
			PER	ASSY
01		BRAKE SYSTEM		
- 1		. CYLINDER-MASTER BRAKE REFER TO 32-32-01 FIGURE 01		RF
2	035018-3-0100	. HOSE ASSY-LH MASTER CYLINDER FSO S1167C3-0100		NP
- 2A	S1167C3-0100	. HOSE ASSY-LH MASTER CYLINDER		01
3	350-3-0085	. HOSE ASSY-RH MASTER CYLINDER FSO S1167-3-0085		NP
- 3A	S1167-3-0085	. HOSE ASSY-RH MASTER CYLINDER		01
		ATTACHING PARTS		
4	AN921-3D	. ELBOW		01
5	MS28778-3	. O-RING		01
6	AS5178W03	. NUT		01 R
		—*—		
7	0500118-90	. LINE ASSY-LH BRAKE		01
8	0500118-89	. LINE ASSY-RH BRAKE		01
		ATTACHING PARTS		
9	AN837-3D	. ELBOW-RH		01
10	AN833-3D	. ELBOW-LH		01
- 10A	MS24394D3	. ELBOW ALT FOR AN833-3D		01
11	NAS1149F0663P	. WASHER		02
12	AS5178W03	. NUT		02 R
13	S1153-2	. BRACKET-RH		01
- 14	MS21919WDG3	. CLAMP-RH		01
- 15	S1021Z8-8	. SCREW-RH		01
		—*—		
16	MS35489-36	. GROMMET-LH		01
17	0500118-86	. LINE ASSY-BRAKE		01
		ATTACHING PARTS		
18	AS5174D0303	. UNION		01
- 19	S1486DG6U	. CLAMP		01
- 20	MS21919WDG3	. CLAMP		01
- 21	S1021Z8-8	. SCREW		01
		—*—		
22	0500118-88	. LINE ASSY-BRAKE		01
23	AS5174D0303	. UNION		01
24	0500118-87	. LINE ASSY-RH BRAKE		01
		ATTACHING PARTS		
25	AN837-3D	. ELBOW		01
- 26	AS5178W03	. NUT		01 R
- 27	NAS1149F0663P	. WASHER		02
28	S4132-1	. ANCHOR		01
- 29	NAS1149DN432K	. WASHER		01
- 30	MS3367-1-9	. STRAP		01
		—*—		
31	0500118-128	. LINE ASSY-LH BRAKE 172 FSO 0500150-1	80001 81222	NP
- 31A	0500118-128	. LINE ASSY-LH BRAKE 172S FSO 0500150-1	08001 09669	NP
- 31B	0500150-1	. LINE ASSY-LH BRAKE 172	81223 & ON	02
- 31C	0500150-1	. LINE ASSY-LH BRAKE 172S	09670 & ON	02
32	0500118-129	. LINE ASSY-RH BRAKE 172 FSO 0500150-1	80001 81222	NP
- 32A	0500118-129	. LINE ASSY-RH BRAKE 172S FSO 0500150-1	08001 09669	NP
- 32B	0500150-1	. LINE ASSY-RH BRAKE 172	81223 & ON	02
- 32C	0500150-1	. LINE ASSY-RH BRAKE 172S	09670 & ON	02
		ATTACHING PARTS		
33	AN832-3D	. UNION		01
34	AS5178W03	. NUT		01 R
35	NAS1149F0663P	. WASHER		02
		—*—		
36	0500118-126	. LINE ASSY-LH BRAKE 172 FSO 0500118-523	80001 81622	NP
- 36A	0500118-126	. LINE ASSY-LH BRAKE 172S FSO 0500118-523	08001 11410	NP
- 36B	0500118-523	. LINE ASSY-LH BRAKE 172	81623 & ON	01
- 36C	0500118-523	. LINE ASSY-LH BRAKE 172S	11411 & ON	01
37	0500118-127	. LINE ASSY-RH BRAKE 172 FSO 0500118-524	80001 81622	NP
- 37A	0500118-127	. LINE ASSY-RH BRAKE 172S FSO 0500118-524	08001 11410	NP
- 37B	0500118-524	. LINE ASSY-RH BRAKE 172	81623 & ON	01
- 37C	0500118-524	. LINE ASSY-RH BRAKE 172S	11411 & ON	01
- 38	AN818-3D	. NUT		02
- 39	MS20819-3D	. SLEEVE		02
- 40	S1399-1	. SPIRAL WRAP-LH AND RH 172	81623 & ON	AR
- 40A	S1399-1	. SPIRAL WRAP-LH AND RH 172S	11411 & ON	AR
41	AS5174D0303	. UNION		01
42	MS20822-3D	. ELBOW		02
- 43		. MAIN LANDING GEAR REFER TO 32-10-00 FIGURE 01		RF

- ITEM NOT ILLUSTRATED

CESSNA AIRCRAFT COMPANY
MODEL 172 (SERIES 1996 AND ON)
 ILLUSTRATED PARTS CATALOG

B4041



PARKING BRAKE INSTALLATION
 FIGURE 02 (SHEET 1)

0514T1008
 A0514T3001
 B0514T3003
 C0514T1059

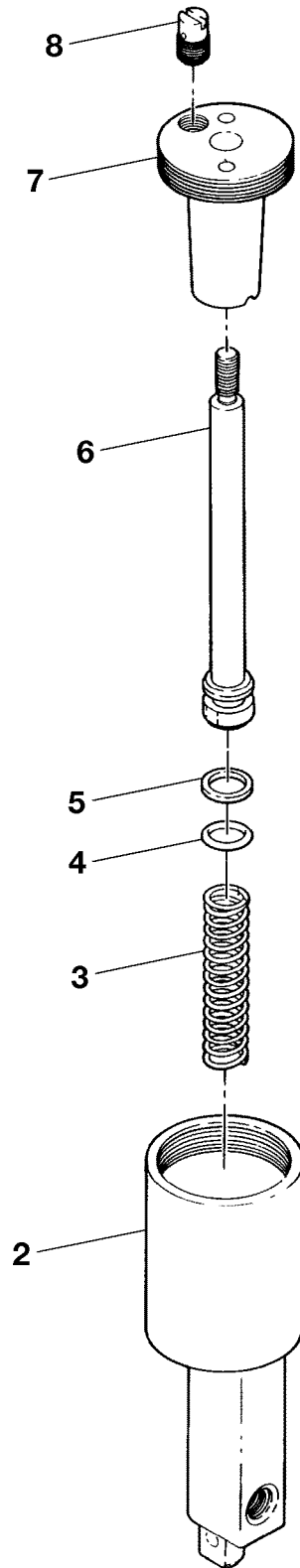
CESSNA AIRCRAFT COMPANY
MODEL 172 (SERIES 1996 AND ON)
ILLUSTRATED PARTS CATALOG

FIG ITEM	PART NUMBER	NOMENCLATURE	UNITS	
			PER	ASSY
		1 2 3 4 5 6 7		
02		PARKING BRAKE INSTALLATION		RF
- 1	0713070-44	. ANGLE ASSY FSO 0713070-48 172	80001	81222 NP
- 2	0713070-44	. ANGLE ASSY FSO 0713070-48 172S	08001	09669 NP
- 3	0713070-48	. ANGLE ASSY 172	81223	& ON 01
- 4	0713070-48	. ANGLE ASSY 172S	09670	& ON 01
5	0713070-36	. ANGLE		01
6	AN3-11A	. BOLT		01
7	NAS43DD3-45	. SPACER FSO NAS43DD3-45N		NP
7A	NAS43DD3-45FC	. SPACER FSO NAS43DD3-45N		NP
- 7B	NAS43DD3-45N	. SPACER		01
8	NAS1149F0316P	. WASHER 172 NAV III	81241	& ON 01
- 8A	NAS1149F0316P	. WASHER 172S NAV III	09810	& ON 01
8B	MS21042L3	. NUT 172 NAV III	81241	& ON 01
- 8C	MS21042L3	. NUT 172S NAV III	09810	& ON 01
9	AN3-3A	. BOLT		01
10	MS21044N3	. NUT		01
11	0713070-5	. ANGLE		01
12	0713070-4	. RACK-POSITIONING		01
13	0813150-75	. HANDLE ASSY-PARKING BRAKE		01
14	0813156-4	. HOUSING ASSY-BRAKE		01
15	AN735-8	. CLAMP HOUSING ATTACH		01
16	0713070-32	. SPACER HOUSING ATTACH		01
17	AN3-6A	. BOLT HOUSING ATTACH		01
18	MS20365-1032C	. NUT HOUSING ATTACH FSO MS21045L3		01
- 19	MS21045L3	. NUT HOUSING ATTACH		01
20	0713070-32	. SPACER HOUSING ATTACH		01
21	AN3-6A	. BOLT HOUSING ATTACH		01
22	MS21044N3	. NUT HOUSING ATTACH		01
23	0706012-1	. HANDLE-PARKING BRAKE		01
- 24	0811490-75	. HANDLE-PARKING BRAKE ALT FOR 0706012-1		01
- 25	0813150-73	. TUBE-PARKING BRAKE		01
- 26	NAS561-5-12	. ROLL PIN		01
27	0510105-378	. CABLE ASSY-PARKING BRAKE		01
28	S1710-1	. PULLEY		01
29	0713959-1	. BRACKET ASSY PULLEY ATTACH		01
30	AN3-6A	. BOLT PULLEY ATTACH		01
- 31	0411783-0	. BUSHING PULLEY ATTACH		01
- 32	NAS1149F0332P	. WASHER PULLEY ATTACH		01
- 33	MS21044N3	. NUT PULLEY ATTACH		01
34	MS24665-134	. COTTER PIN-CABLE GUARD		03
35	MS20392-4C13	. PIN		01
36	MS24665-281	. COTTER PIN		01
37	0713070-9	. BELLCRANK ASSY		01
38	AN3-13A	. BOLT BELLCRANK ATTACH		01
39	0713070-19	. SPACER BELLCRANK ATTACH		01
- 40	MS21044N3	. NUT BELLCRANK ATTACH		01
41	S378-1L	. PULLEY		01
42	AN3-5A	. BOLT PULLEY ATTACH		01
43	MS21044N3	. NUT PULLEY ATTACH		01
44	0713070-31	. TUBE ASSY 172	80001	81338 01
- 44A	0713070-31	. TUBE ASSY 172S	08001	10267 01
- 44B	0713070-31	. TUBE ASSY NAV III 172 FSO 0713070-50	81241	81338 NP
- 44C	0713070-31	. TUBE ASSY NAV III 172S FSO 0713070-50	09810	10267 NP
- 44D	0713070-50	. TUBE ASSY 172	81339	& ON 01
- 44E	0713070-50	. TUBE ASSY 172S	10268	& ON 01
45	0713070-6	. POSITIONING PIN TUBE ATTACH		01
46	MS24665-132	. COTTER PIN TUBE ATTACH		01
47	0713063-0	. SPRING		01
48	NAS1149FN432P	. WASHER		01
49	0513154-1	. SPRING		01
50	MS24665-132	. COTTER PIN		01
51	0713070-20	. BRACKET ASSY		01
52	0518004-1	. CONNECTOR BRACKET	80001	81496 01 R
- 52A	0518004-1	. CONNECTOR BRACKET	08001	10655 01 R

- ITEM NOT ILLUSTRATED

CESSNA AIRCRAFT COMPANY
MODEL 172 (SERIES 1996 AND ON)
ILLUSTRATED PARTS CATALOG

B315



MASTER BRAKE CYLINDER ASSEMBLY
FIGURE 01 (SHEET 1)

0547T1001

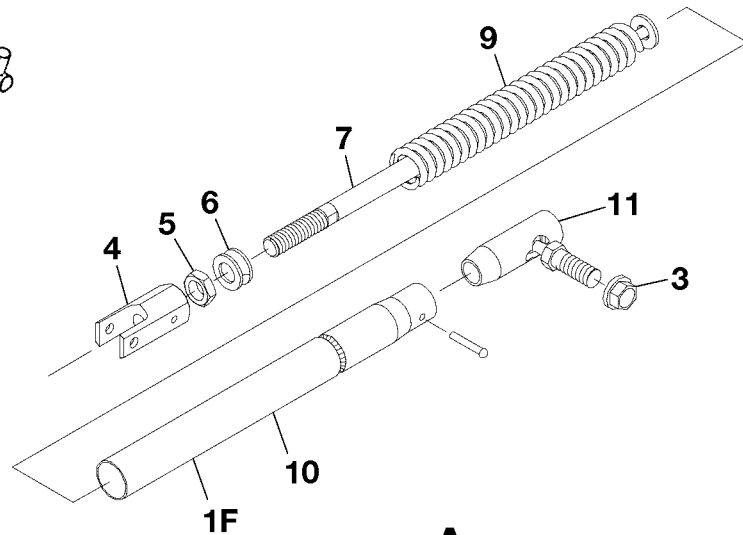
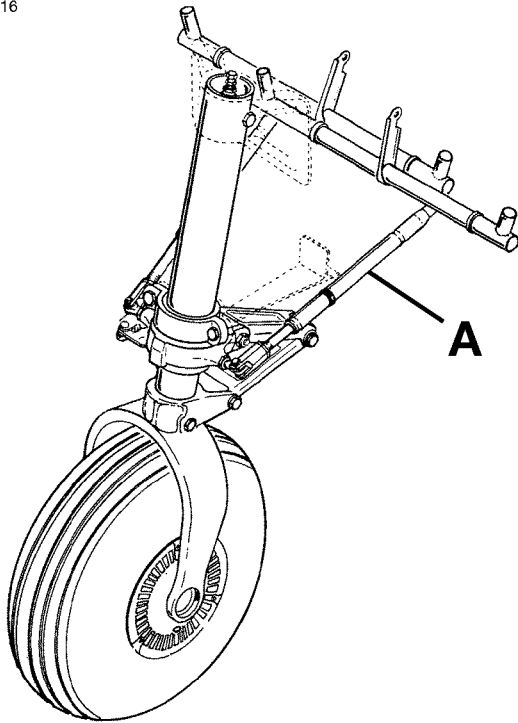
CESSNA AIRCRAFT COMPANY
MODEL 172 (SERIES 1996 AND ON)
 ILLUSTRATED PARTS CATALOG

FIG ITEM	PART NUMBER	NOMENCLATURE	UNITS PER ASSY		
			1	2	3
01		MASTER BRAKE CYLINDER ASSEMBLY			RF
-					
- 1	9882010-4	. CYLINDER-MASTER BRAKE ASSEMBLY FSO 9882010-7 172	80001	81332	NP R
- 1A	9882010-4	. CYLINDER-MASTER BRAKE ASSEMBLY FSO 9882010-7 172S	08001	10204	NP R
- 1B	9882010-7	. CYLINDER-MASTER BRAKE ASSEMBLY 172	81333	& ON	01 R
- 1C	9882010-7	. CYLINDER-MASTER BRAKE ASSEMBLY 172S	10205	& ON	01 R
- 2	9882011-1	. . BRAKE CYLINDER 172	80001	81332	01 R
- 2A	9882011-1	. . BRAKE CYLINDER 172S	08001	10204	01 R
- 2B	9882011-2	. . BRAKE CYLINDER 172	81333	& ON	01 R
- 2C	9882011-2	. . BRAKE CYLINDER 172S	10205	& ON	01 R
- 3	9881600-3	. . SPRING FSO S2951-81 172	80001	81332	NP R
- 3A	9881600-3	. . SPRING FSO S2951-81 172S	08001	10204	NP R
- 3B	S2951-81	. . SPRING 172	81333	& ON	01 R
- 3C	S2951-81	. . SPRING 172S	10205	& ON	01 R
- 4	MS28775-110	. . O-RING			01
- 5	S1628-110	. . RING-BACKUP			01
- 6	9882012-5	. . PISTON			01
- 7	9882013-1	. . CAP			01
- 8	0541139-0	. . PLUG			01
- 9		. . RUDDER INSTALLATION REFER TO 27-21-00 FIGURE 01			RF
- 10	AN565D6H3	. . SET SCREW 172	81333	& ON	01 R
- 10A	AN565D6H3	. . SET SCREW 172S	10205	& ON	01 R

- ITEM NOT ILLUSTRATED

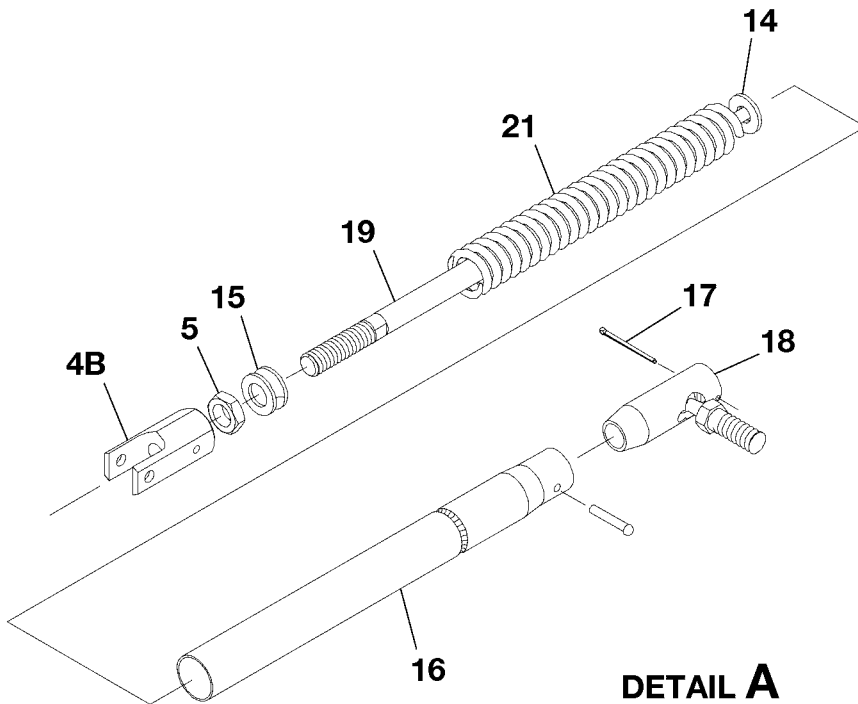
CESSNA AIRCRAFT COMPANY
MODEL 172 (SERIES 1996 AND ON)
 ILLUSTRATED PARTS CATALOG

B316



DETAIL A

AIRPLANES 17280001 THRU 17281350 AND
 AIRPLANES 172S8001 THRU 172S10328



DETAIL A

AIRPLANES 17281351 AND ON AND
 AIRPLANES 172S10329 AND ON

NOSE GEAR STEERING TUBE ASSEMBLY
 FIGURE 01 (SHEET 1)

0510T1007
 A0542T1007
 A0542T1017

CESSNA AIRCRAFT COMPANY
MODEL 172 (SERIES 1996 AND ON)
ILLUSTRATED PARTS CATALOG

FIG ITEM	PART NUMBER	NOMENCLATURE	UNITS PER ASSY		
		1 2 3 4 5 6 7			
01		NOSE GEAR STEERING TUBE ASSEMBLY			RF
-					
- 1	0543022-1	. TUBE ASSY-STEERING LH FSO 0543022-11 172	80001	81200	NP
- 1A	0543022-1	. TUBE ASSY-STEERING LH FSO 0543022-11 172S	08001	09568	NP
- 1B	0543022-7	. TUBE ASSY-STEERING LH FSO 0543022-11 172	81201	81350	NP R
- 1C	0543022-7	. TUBE ASSY-STEERING LH FSO 0543022-11 172S	09569	10328	NP R
- 1D	0543022-11	. TUBE ASSY-STEERING LH 172	81351	& ON	01 R
- 1E	0543022-11	. TUBE ASSY-STEERING LH 172S	10329	& ON	01 R
1F	MC0543022-1C	. TUBE ASSY-STEERING LH EQU FOR 0543022-11	V0MCFA		01 R
- 2	0543022-2	. TUBE ASSY-STEERING RH FSO 0543022-12 172	80001	81200	NP R
- 2A	0543022-2	. TUBE ASSY-STEERING RH FSO 0543022-12 172S	08001	09568	NP R
- 2B	0543022-8	. TUBE ASSY-STEERING RH FSO 0543022-12 172	81201	81350	NP R
- 2C	0543022-8	. TUBE ASSY-STEERING RH FSO 0543022-12 172S	09569	10328	NP R
- 2D	0543022-12	. TUBE ASSY-STEERING RH 172	81351	& ON	01 R
- 2E	0543022-12	. TUBE ASSY-STEERING RH 172S	10329	& ON	01 R
- 2F	MC0543022-2C	. TUBE ASSY-STEERING RH EQU FOR 0543022-12	V0MCFA		01 R
		ATTACHING PARTS			
3	MS21042L6	. NUT 172	80001	& ON	01 R
- 3A	MS21042L6	. NUT 172S	08001	& ON	01 R
		*-			
4	0543023-0	. CLEVIS 172 FSO MC0543023	80001	81350	NP R
- 4A	0543023-0	. CLEVIS 172S FSO MC0543023	08001	10328	NP R
4B	MC0543023	. CLEVIS 172	V0MCFA	81351	& ON
- 4C	MC0543023	. CLEVIS 172S	V0MCFA	10329	& ON
5	AN316-6R	. NUT			01 R
6	0543030-1	. BUSHING 172	80001	81350	01 R
- 6A	0543030-1	. BUSHING 172S	08001	10328	01 R
7	0543019-1	. ROD ASSY-LH 172	80001	81350	01 R
- 7A	0543019-1	. ROD ASSY-LH 172S	08001	10328	01 R
- 8	0543019-2	. ROD ASSY-RH 172	80001	81350	01 R
- 8A	0543019-2	. ROD ASSY-RH 172S	08001	10328	01 R
9	0543020-0	. SPRING-172	80001	81350	01 R
- 9A	0543020-0	. SPRING-172S	08001	10328	01 R
10	0543021-0	. TUBE FSO 0543021-1 172	80001	81200	NP R
- 10A	0543021-0	. TUBE FSO 0543021-1 172S	08001	09568	NP R
- 10B	0543021-1	. TUBE 172	81201	81350	01 R
- 10C	0543021-1	. TUBE 172S	09569	10328	01 R
11	C109	. BALL JOINT FSO SL101-4 172	V54071	80001	81200
- 11A	C109	. BALL JOINT FSO SL101-4 172S	V54071	08001	09668
- 11B	SL101-4	. BALL JOINT 172	V54071	81201	10350
- 11C	SL101-4	. BALL JOINT 172S	V54071	09569	10328
- 12	MC0543022-1	. TUBE ASSY-STEERING LH 172	V0MCFA	81351	& ON
- 12A	MC0543022-1	. TUBE ASSY-STEERING LH 172S	V0MCFA	10329	& ON
- 13	MC0543022-2	. TUBE ASSY-STEERING RH 172	V0MCFA	81351	& ON
- 13A	MC0543022-2	. TUBE ASSY-STEERING RH 172S	V0MCFA	10329	& ON
14	MC0543022-100	. WASHER 172	V0MCFA	81351	& ON
- 14A	MC0543022-100	. WASHER 172S	V0MCFA	10329	& ON
15	MC0543022-105	. BUSHING 172	V0MCFA	81351	& ON
- 15A	MC0543022-105	. BUSHING 172S	V0MCFA	10329	& ON
16	MC0543022-110	. TUBE 172	V0MCFA	81351	& ON
- 16A	MC0543022-110	. TUBE 172S	V0MCFA	10329	& ON
17	MS24665-136	. COTTER PIN 172	V0MCFA	81351	& ON
- 17A	MS24665-136	. COTTER PIN 172S	V0MCFA	10329	& ON
18	MC0543022-6074	. SWIVEL JOINT 172	V0MCFA	81351	& ON
- 18A	MC0543022-6074	. SWIVEL JOINT 172S	V0MCFA	10329	& ON
19	MC0543022-115	. ROD ASSY LH 172	V0MCFA	81351	& ON
- 19A	MC0543022-115	. ROD ASSY LH 172S	V0MCFA	10329	& ON
- 20	MC0543022-120	. ROD ASSY RH 172	V0MCFA	81351	& ON
- 20A	MC0543022-120	. ROD ASSY RH 172S	V0MCFA	10329	& ON
21	MC0543022-140	. SPRING 172	V0MCFA	81351	& ON
- 21A	MC0543022-140	. SPRING 172S	V0MCFA	10329	& ON

CHAPTER

33

LIGHTS

CESSNA AIRCRAFT COMPANY
MODEL 172 (SERIES 1996 AND ON)
 ILLUSTRATED PARTS CATALOG

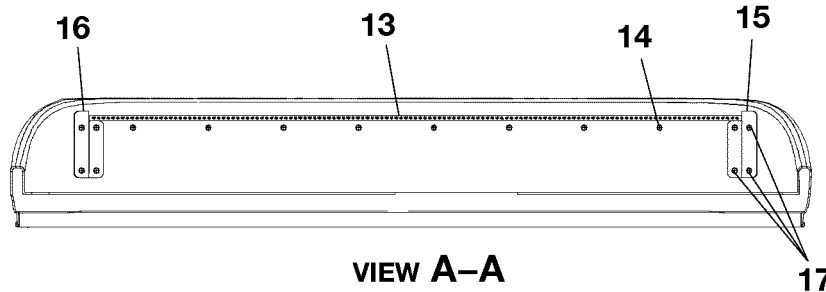
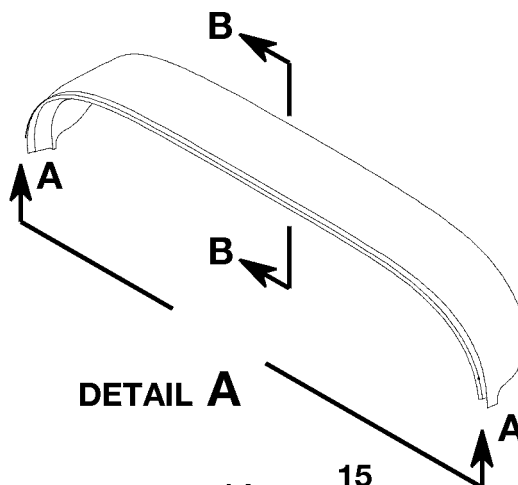
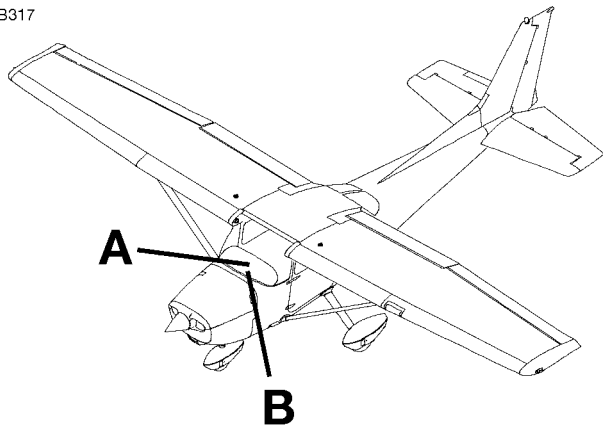
CHAPTER SECTION SUBJECT		NUMBER OF PAGES	DATE
33 - TITLE			
33 - LIST OF EFFECTIVE PAGES			
33 - RECORD OF TEMPORARY REVISIONS			
33 - TABLE OF CONTENTS			
33-10-00	Figure 01	2	Jul 1/2015
33-10-00	Figure 02	2	Jan 2/2006
33-10-01	Figure 01	2	Jul 1/2012
33-10-01	Figure 02	2	Jul 1/2013
33-10-02	Figure 01	2	Jul 1/2016
33-11-01	Figure 01	2	Jul 1/2010
33-11-01	Figure 02	2	Jan 1/2012
33-11-01	Figure 03	2	Jul 1/2010
33-13-00	Figure 01	4	Jul 3/2006
33-13-00	Figure 01A	2	Jul 1/2012
33-40-00	Figure 01	2	Jan 1/2012
33-40-00	Figure 01A	2	Jan 1/2012
33-40-00	Figure 01B	2	Jan 1/2012
33-40-00	Figure 02	4	Jul 1/2014
33-40-00	Figure 03	4	Jul 1/2014
33-43-00	Figure 01	2	Jan 1/2012
33-43-00	Figure 02	2	Jul 1/2015
33-44-00	Figure 01	2	Jul 1/2013
33-44-00	Figure 02	2	Jul 1/2010

CESSNA AIRCRAFT COMPANY
MODEL 172 (SERIES 1996 AND ON)
 ILLUSTRATED PARTS CATALOG

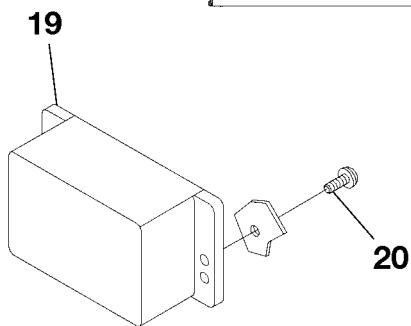
<u>SUBJECT</u>	<u>CHAPTER SECTION SUBJECT</u>	<u>FIGURE</u>	<u>EFFECTIVITY</u>	
			<u>START</u>	<u>END</u>
INSTRUMENT PANEL LIGHT INSTALLATION	33-10-00	01		
MAPLIGHT-CONTROL WHEEL	33-10-00	02		
CONSOLE COVER INSTALLATION-LIGHTED	33-10-01	01	80001 08001	81496 10655
CONSOLE INSTALLATION	33-10-01	02	81497 10656	& ON & ON
LED PANEL INSTALLATION	33-10-02	01		
OVERHEAD LIGHTING INSTALLATION	33-11-01	01		
OVERHEAD LIGHTING INSTALLATION-LED	33-11-01	02	81234 09771	81272 10102
OVERHEAD LIGHTING INSTALLATION-LED	33-11-01	03	81273 10103	& ON & ON
INSTRUMENT LIGHTING INSTALLATION	33-13-00	01		
INSTRUMENT LIGHTING INSTALLATION-NAV III	33-13-00	01A	81241 09810	& ON & ON
LANDING & TAXI LIGHT INSTALLATION	33-40-00	01	80001 08001	81245 09837
LANDING & TAXI LIGHT INSTALLATION	33-40-00	01A	81246 09837	81578 11085
LANDING AND TAXI LIGHT INSTALLATION	33-40-00	01B	81579 11086	& ON & ON
LIGHTING - NAVIGATION WING AND TAIL	33-40-00	02	80001 80001	81496 10655
LIGHTING - NAVIGATION WING AND TAIL	33-40-00	03	81497 10656	& ON & ON
FLASHING BEACON LIGHT INSTALLATION	33-43-00	01	80001 08001	81496 10655
LED GROUND RECOGNITION LIGHT	33-43-00	02	81497 10656	& ON & ON
COURTESY LIGHT INSTALLATION	33-44-00	01	80001 08001	81563 11038
COURTESY LIGHT INSTALLATION-LED	33-44-00	02	81564 11039	& ON & ON

CESSNA AIRCRAFT COMPANY
MODEL 172 (SERIES 1996 AND ON)
 ILLUSTRATED PARTS CATALOG

B317

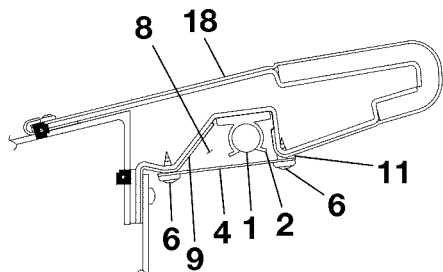


VIEW A-A
 AIRPLANES 17280984 AND ON AND
 AIRPLANES 172S8704 AND ON



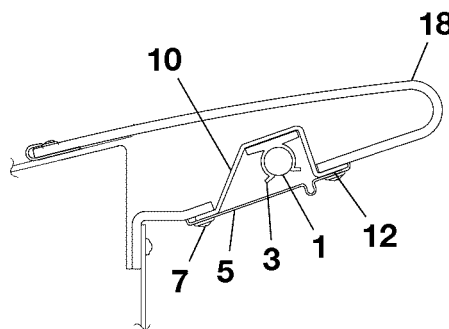
DETAIL B

AIRPLANES 17280001 THRU 17280983 AND
 AIRPLANES 172S8001 THRU 172S8703



VIEW B-B

AIRPLANES 17280001 THRU 17280962 AND
 AIRPLANES 172S8001 THRU 172S8633



VIEW B-B

AIRPLANES 17280963 THRU 17280983 AND
 AIRPLANES 172S8634 THRU 172S8703

0510T1007
 A0519T1044
 AA0519T1066
 BB0518T1118
 BB0519T1046
 B0718T1078

INSTRUMENT PANEL LIGHT INSTALLATION
 FIGURE 01 (SHEET 1)

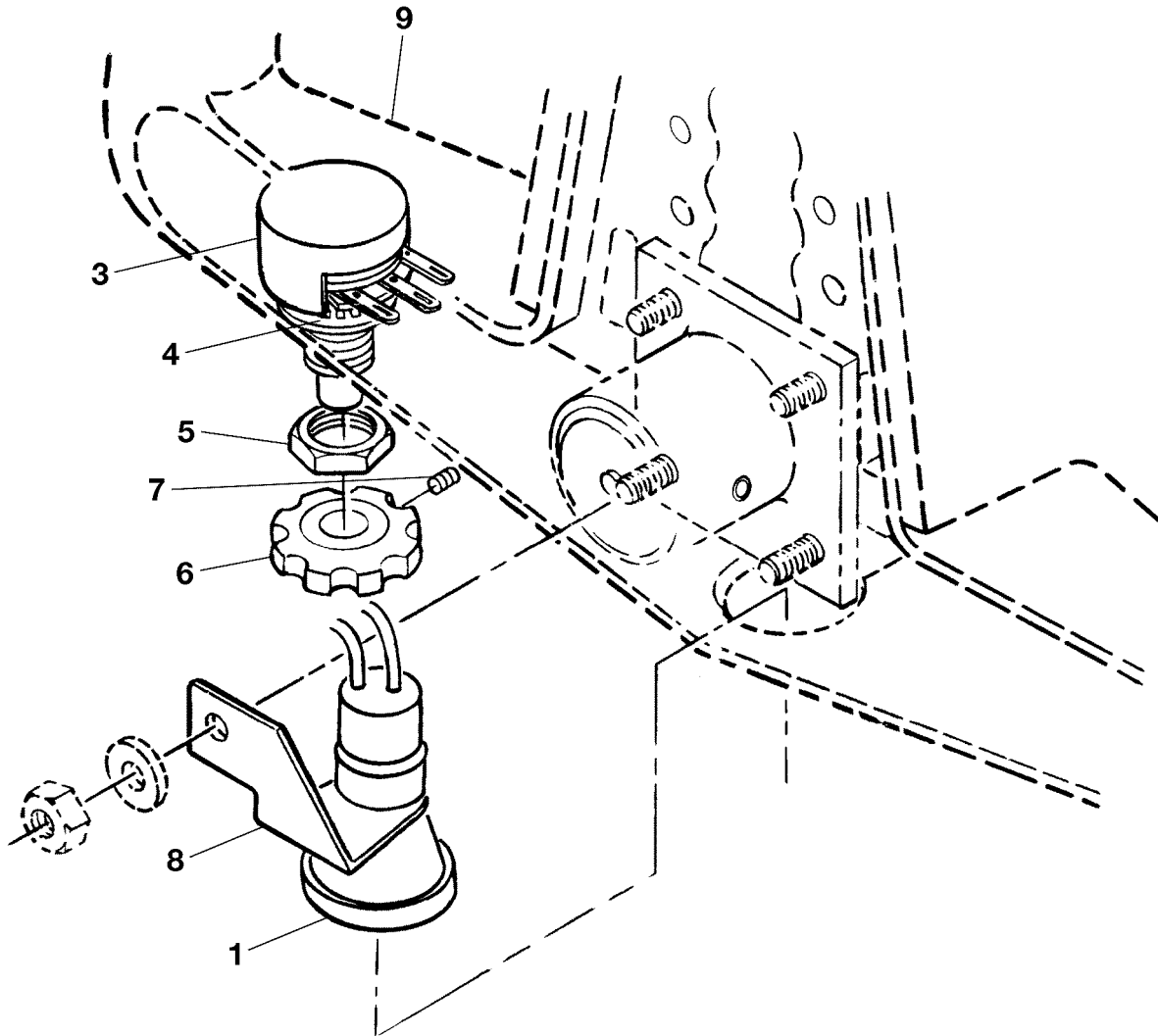
CESSNA AIRCRAFT COMPANY
MODEL 172 (SERIES 1996 AND ON)
ILLUSTRATED PARTS CATALOG

FIG ITEM	PART NUMBER	NOMENCLATURE	UNITS	
			PER	ASSY
01		INSTRUMENT PANEL LIGHT INSTALLATION		RF
-		. BULB ASSY FI002 172 V33497		01
1	7300248-1	. BULB ASSY FI002 172S V33497		01
- 1A	7300248-1	. CLIP LIGHT 172 FSO KKU-8A	80001	80962 NP
2	6519461-4	. CLIP LIGHT 172S FSO KKU-8A	80001	08633 NP
- 2A	6519461-4	. CLIP-LIGHT 172	80963	80983 04
3	KKU-8A	. CLIP-LIGHT 172S	08634	08703 04
- 3A	KKU-8A	. LENS 172	80001	80962 01
4	0514230-2	. LENS 172S	08001	08633 01
- 4A	0514230-2	. LENS ASSY 172	80963	80983 01
5	0519008-3	. LENS ASSY 172S	08634	08703 01
- 5A	0519008-3	. SCREW 172	80001	80962 20
6	S1021A4-6J	. SCREW 172S	08001	08633 20
- 6A	S1021A4-6J	. SCREW 172	80963	80983 16
7	S1021A4-6J	. SCREW 172S	08634	08703 16
- 7A	S1021A4-6J	. DEFLECTOR-GLARESHIELD 172	80001	80962 06
8	0514230-4	. DEFLECTOR-GLARESHIELD 172S	08001	08633 06
- 8A	0514230-4	. TAPE REFLECTOR 172	80001	80962 AR
9	A840018	. TAPE REFLECTOR 172S	08001	08633 AR
- 9A	A840018	. BULB MOUNT 172	80963	80983 01
10	0519008-5	. BULB MOUNT 172S	08634	08703 01
- 10A	0519008-5	. VELCRO	80001	80962 AR
11	S2092-12	. VELCRO	08001	80633 AR
- 11A	S2092-12	. FABRIC FASTENER BKI 172 FSO F990318	80963	80983 AR
12	F990048	. FABRIC FASTENER BKI 172S FSO F990318	08634	08703 AR
- 12A	F990048	. FABRIC FASTENER BKI FSO F990324		NP R
- 12B	F990318	. FABRIC FASTENER BKI ALT FOR F990048 FSO F990324		NP R
- 12C	F990307	. FABRIC FASTENER		AR R
- 12D	F990324	. LIGHT STRIP 172 V0GZF3	80984	& ON 01
13	CSELGT-01	. LIGHT STRIP 172S V0GZF3	08704	& ON 01
- 13A	CSELGT-01	. SCREW 172	80984	& ON 10
14	CM3558-4-8B	. SCREW 172S	08704	& ON 10
- 14A	CM3558-4-8B	. OFFSET PLATE-LH 172	80984	& ON 01
15	0519015-3	. OFFSET PLATE-LH 172S	08704	& ON 01
- 15A	0519015-3	. OFFSET PLATE-RH 172	80984	& ON 01
16	0519015-4	. OFFSET PLATE-RH 172S	08704	& ON 01
- 16A	0519015-4	. ATTACHING PARTS		
17	S1021A4-8J	. SCREW		06
-		. GLARESHIELD ASSY REFER TO 25-10-01 FIGURE 01		RF
18		. LIGHTING INVERTER UI001 FSO 6900173-000 V33497		NP
19	6900173	. LIGHTING INVERTER UI001 V33497		01
- 19A	6900173-000	. ATTACHING PARTS		
20	S3294-6-6G	. SCREW		02
-		. PAINT-FLAT BLACK V32063		AR
- 21	K000927			

- ITEM NOT ILLUSTRATED

CESSNA AIRCRAFT COMPANY
MODEL 172 (SERIES 1996 AND ON)
ILLUSTRATED PARTS CATALOG

B318



MAPLIGHT-CONTROL WHEEL
FIGURE 02 (SHEET 1)

1218R1153

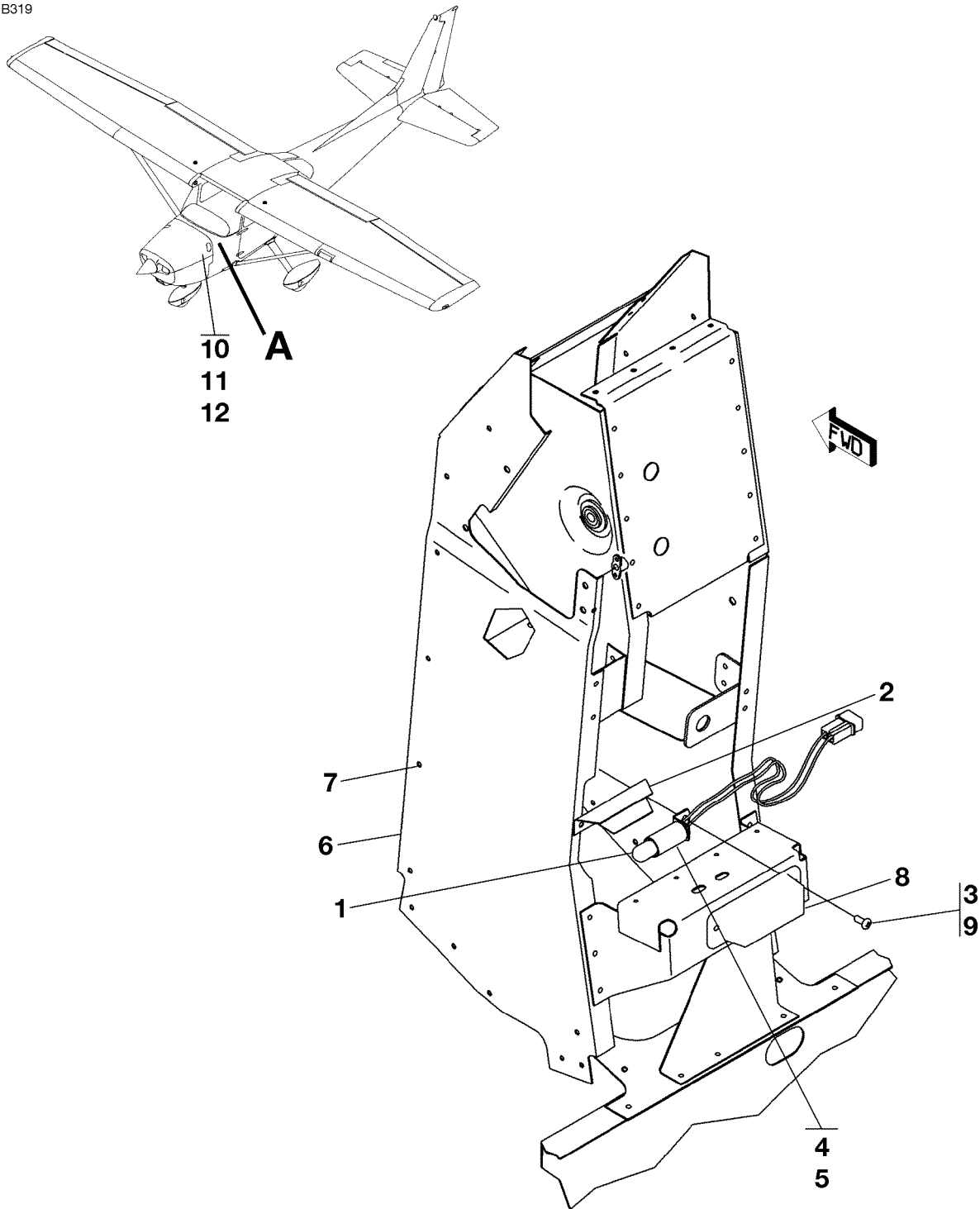
CESSNA AIRCRAFT COMPANY
MODEL 172 (SERIES 1996 AND ON)
 ILLUSTRATED PARTS CATALOG

FIG ITEM	PART NUMBER	NOMENCLATURE	UNITS	
			PER	ASSY
02		MAPLIGHT-CONTROL WHEEL		RF
-		. SOCKET		01
1	S2521-1	. SOCKET		01
- 2	24RB	. BULB L1		01
- 2A	28RB	. BULB L1 ALT FOR 24RB		01
- 3	S2619-1	. RHEOSTAT-MAPLIGHT R1		01
4	AN936A616	. WASHER 172	80001 80830	01 R
- 4A	AN936A616	. WASHER 172S	08001 08347	01 R
- 4B	MS35333-42	. WASHER 172	80831 & ON	01 R
- 4C	MS35333-42	. WASHER 172S	08348 & ON	01 R
5	MS25082-20	. NUT		01 R
6	1270483-2	. KNOB ASSY		01
		ATTACHING PARTS		
7	AN565B2H3	. SET SCREW		01
		—*—		
8		. BRACKET REFER TO 27-10-00 FIGURE 02		RF
9		. CONTROL WHEEL ASSY REFER TO 27-10-00 FIGURE 02		RF

- ITEM NOT ILLUSTRATED

CESSNA AIRCRAFT COMPANY
MODEL 172 (SERIES 1996 AND ON)
ILLUSTRATED PARTS CATALOG

B319



DETAIL A

VIEW LOOKING INBOARD
RIGHT SIDE

CONSOLE COVER INSTALLATION-LIGHTED
FIGURE 01 (SHEET 1)

0510T1007
A0511R1017

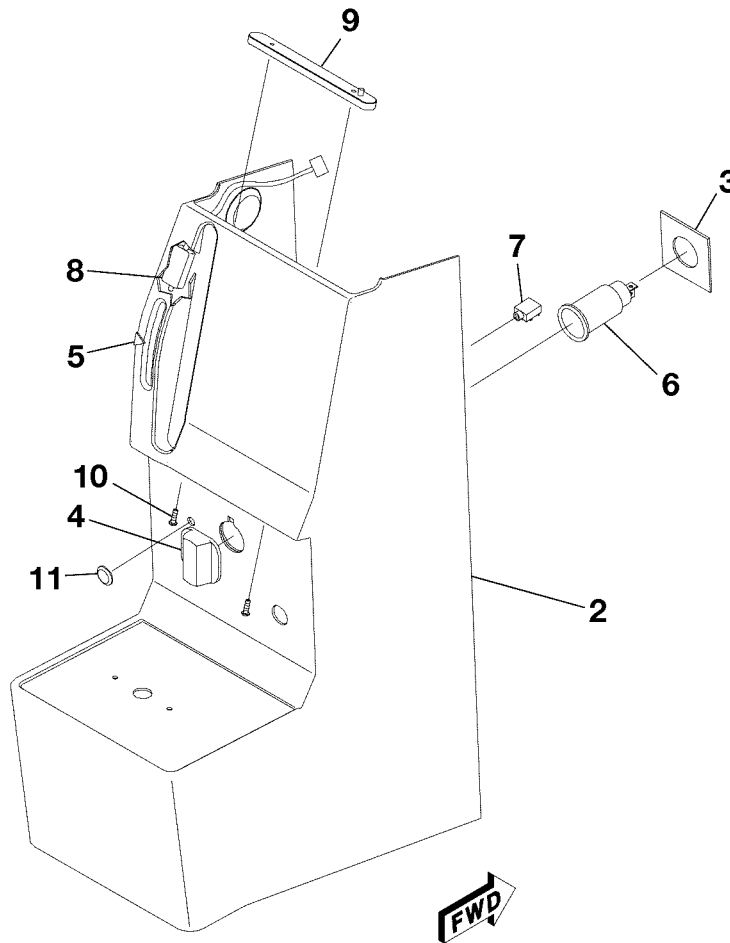
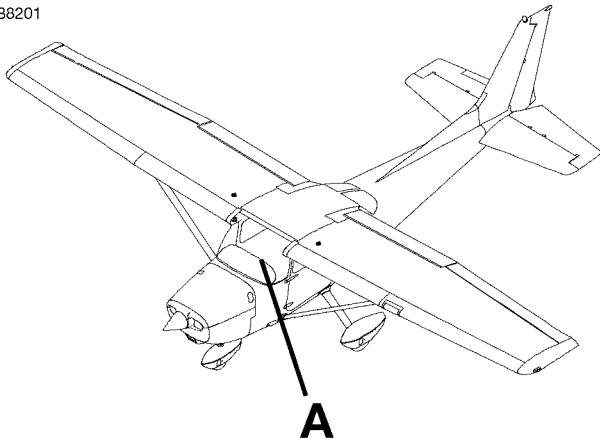
CESSNA AIRCRAFT COMPANY
MODEL 172 (SERIES 1996 AND ON)
ILLUSTRATED PARTS CATALOG

FIG ITEM	PART NUMBER	NOMENCLATURE	UNITS PER ASSY		
			1	2	3
01		CONSOLE COVER INSTALLATION-LIGHTED			
-			80001	81496	RF
			08001	10655	
1	MS25231-1829	. LAMP			01
2	2213117-2	. REFLECTOR			01
3	MS35206-228	. SCREW			03
4	S2035-1	. HOUSING CONNECTOR			01
5	S1635-1	. PIN			02
6	S2524-1	. SOCKET			01
7	0500233-29	. COVER ASSY 172	80001	80983	01
8	0500233-29	. COVER ASSY 172S	08001	08703	01
9	0500233-31	. COVER ASSY 172	80984	81097	01
10	0500233-31	. COVER ASSY 172S	08704	09062	01
11	0500233-32	. COVER ASSY 172	81098	81142	01
12	0500233-32	. COVER ASSY 172S	09063	09288	01
- 13	0500233-34	. COVER ASSY 172	81143	81356	01
- 14	0500233-34	. COVER ASSY 172S	09289	10431	01
- 14A	0500233-37	. COVER ASSY 172	81357	81496	01
- 14B	0500233-37	. COVER ASSY 172S	10432	10655	01
- 15	2413143-1	. DOUBLER ASSY			01
- 16	MS21069L06	. . . NUTPLATE			03
- 17	0500233-35	. . . DOUBLER 172	81143	81496	01
- 18	0500233-35	. . . DOUBLER 172S	09289	10655	01
- 19	216510	. . . POWER OUTLET ASSY 172	V10966	81143	81496
- 20	216510	. . . POWER OUTLET ASSY 172S	V10966	09289	10655
- 21	W39623	. . . POWER OUTLET CAP 172	V5G407	81143	81496
- 22	W39623	. . . POWER OUTLET CAP 172S	V5G407	09289	10655
- 23	3921146-2	. . . C/A ENTERTAINMENT JACK 172	81098	81496	01
- 24	3921146-2	. . . C/A ENTERTAINMENT JACK 172S	09063	10655	01
- 25	0570516-2	. . . CABIN POWER WBA/PEDESTAL 172	80984	81142	01
- 26	0570516-2	. . . CABIN POWER WBA/PEDESTAL 172S	08707	09288	01
- 27	S1878-1	. . . STUD			14
- 28	2213119-3	. . . COVER ASSY			01
- 29	0713363-2	. . . LENS			01
- 30	2213119-4	. . . COVER			01
- 31	2213119-5	. . . LENS			01
- 32	0513288-1	. . . COVER PLATE			01
- 32A		. . . ELEVATOR TRIM REFER TO 27-30-01 FIGURE 01			RF
- 33		. . . CONSOLE PEDESTAL REFER TO 53-22-00 FIGURE 02			RF
- 34		. . . CABIN POWER REFER TO WIRING DIAGRAM MANUAL			RF
		. . . ATTACHING PARTS			
- 36	AN525-10R7	. . . SCREW			04 R
- 37	S1021A4-8	. . . SCREW			08

- ITEM NOT ILLUSTRATED

CESSNA AIRCRAFT COMPANY
MODEL 172 (SERIES 1996 AND ON)
ILLUSTRATED PARTS CATALOG

B8201



DETAIL A

CONSOLE INSTALLATION
FIGURE 02 (SHEET 1)

0510T1007
A0519T1113

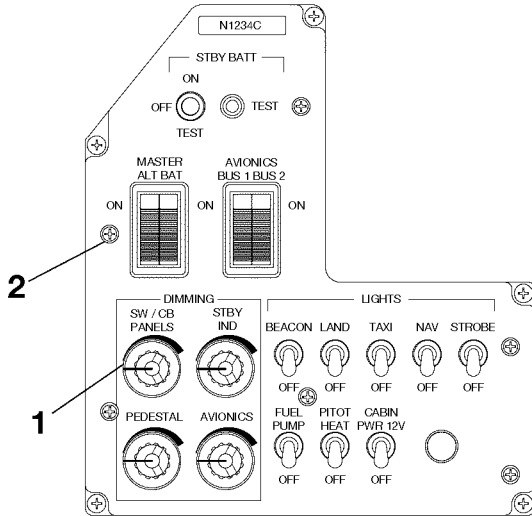
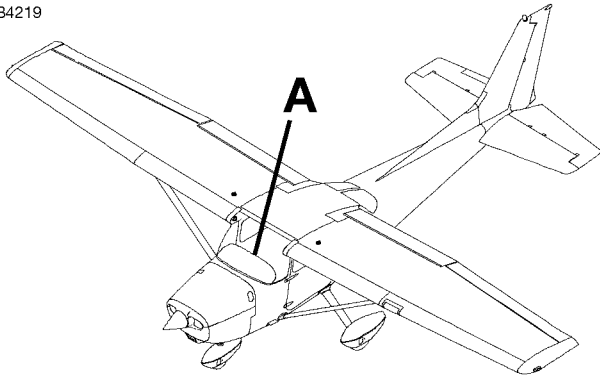
CESSNA AIRCRAFT COMPANY
MODEL 172 (SERIES 1996 AND ON)
 ILLUSTRATED PARTS CATALOG

FIG ITEM	PART NUMBER	NOMENCLATURE	UNITS PER ASSY		
			1	2	3
02		CONSOLE INSTALLATION			
-			81497	& ON	RF
			10656	& ON	
- 1	0519103-1	. PEDESTAL COVER ASSY 172	81497	81623	01 R
- 1A	0519103-1	. PEDESTAL COVER ASSY 172S	10656	11322	01 R
- 1B	0519103-4	. PEDESTAL COVER ASSY 172	81624	& ON	01 R
- 1C	0519103-4	. PEDESTAL COVER ASSY 172S	11323	& ON	01 R
2	0519103-2	. . PEDESTAL COVER			01
3	0500233-35	. . DOUBLER			01
4	W-39623	. . POWER OUTLET CAP V5G407			01
5	0519103-3	. . POINTER			01
6	216510	. . POWER OUTLET ASSY V10966			01
7	3921146-2	. . C/A ENTERTAINMENT JACK 172 REFER TO WIRING DIAGRAM MANUAL	81497	81623	01 R
- 7A	3921146-2	. . C/A ENTERTAINMENT JACK 172S REFER TO WIRING DIAGRAM MANUAL	10656	11322	01 R
8	85-02357-001	. . LED V14550			01
9	92-1049-1	. . LED GLARESHIELD PANEL V14550 ATTACHING PARTS			01
10	MS35214-12	. . SCREW			02
		—*—			
11	S1908-20	. . PLUG BUTTON 172	81624	& ON	01 R
- 11A	S1908-20	. . PLUG BUTTON 172S	11323	& ON	01 R

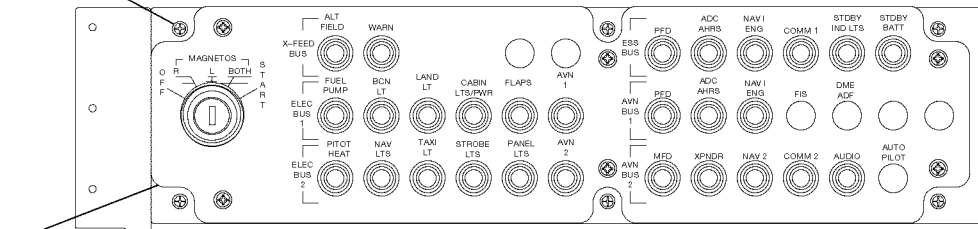
- ITEM NOT ILLUSTRATED

CESSNA AIRCRAFT COMPANY
MODEL 172 (SERIES 1996 AND ON)
 ILLUSTRATED PARTS CATALOG

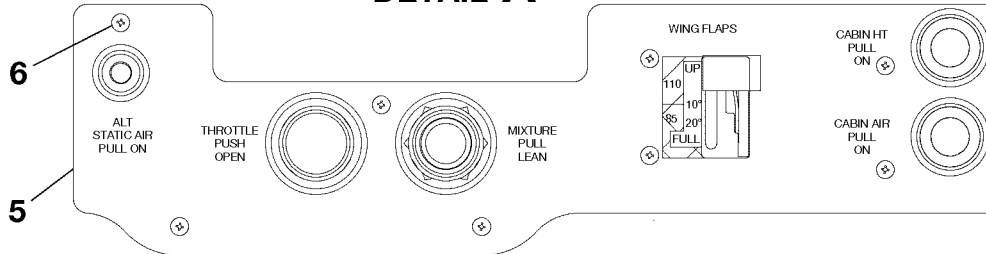
B4219



DETAIL A



DETAIL A



DETAIL A

LED PANEL INSTALLATION
 FIGURE 01 (SHEET 1)

0510T1007
 A05141061

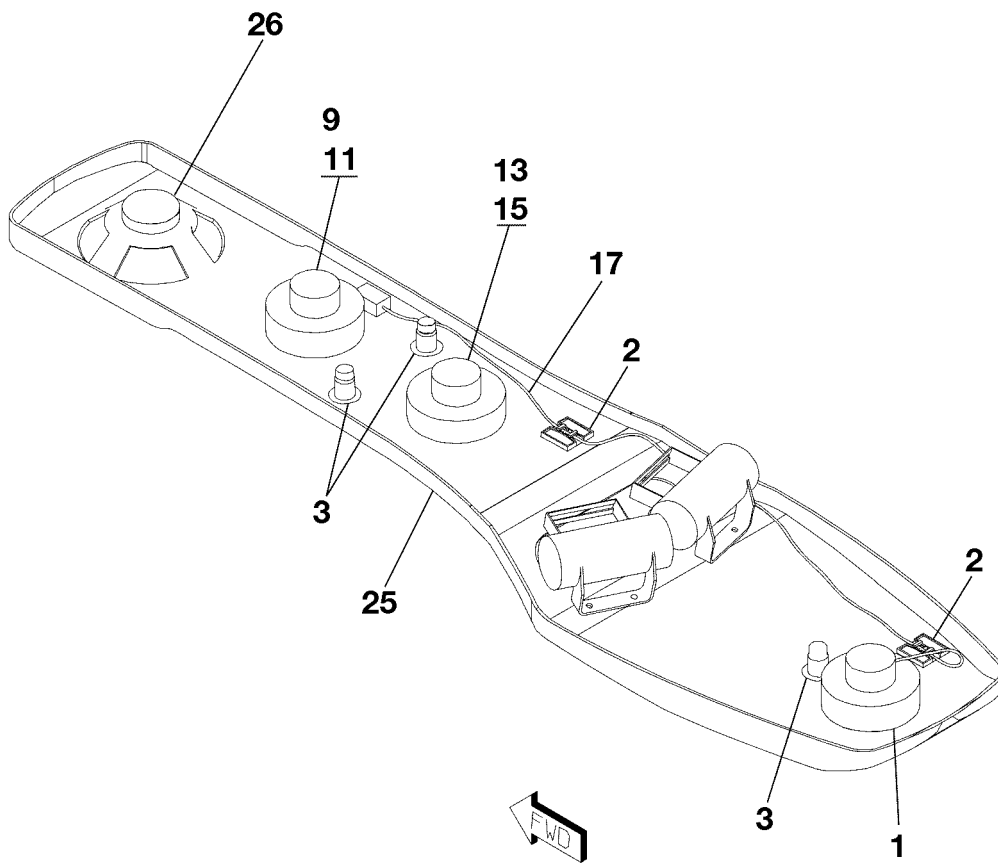
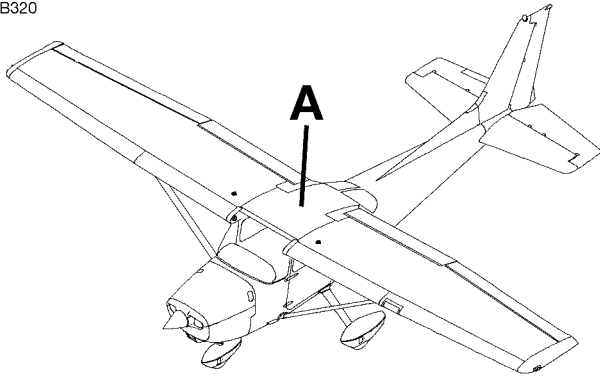
CESSNA AIRCRAFT COMPANY
MODEL 172 (SERIES 1996 AND ON)
ILLUSTRATED PARTS CATALOG

FIG ITEM	PART NUMBER	NOMENCLATURE	UNITS	
			PER	ASSY
01		LED PANEL INSTALLATION		RF
-				
1	9910607-3	. LED PANEL SWITCH 172	81241	81272 01
- 1A	9910607-3	. LED PANEL SWITCH 172S	09810	10102 01
- 1B	9910607-5	. LED PANEL SWITCH 172	81273	81578 01
- 1C	9910607-5	. LED PANEL SWITCH 172S	10103	11085 01
- 1D	9910607-8	. LED PANEL SWITCH 172	81579	& ON 01
- 1E	9910607-8	. LED PANEL SWITCH 172S	11086	& ON 01
		ATTACHING PARTS		
2	CM3558-4-8G	. SCREW		06
		—*—		
3	9910609-1	. LED PANEL CIRCUIT BREAKER FSO 9910609-2 172	81241	81271 NP
- 3A	9910609-1	. LED PANEL CIRCUIT BREAKER FSO 9910609-2 172S	09810	10101 NP
- 3B	9910609-2	. LED PANEL CIRCUIT BREAKER 172	81272	81578 01
- 3C	9910609-2	. LED PANEL CIRCUIT BREAKER 172S	10102	11085 01
- 3D	9910609-4	. LED PANEL CIRCUIT BREAKER 172	81579	81616 01
- 3E	9910609-4	. LED PANEL CIRCUIT BREAKER 172S	11086	11190 01
- 3F	9910609-5	. LED PANEL CIRCUIT BREAKER 172	81617	& ON 01
- 3G	9910609-5	. LED PANEL CIRCUIT BREAKER 172S	11191	& ON 01
		ATTACHING PARTS		
4	CM3558-4-8G	. SCREW		06
		—*—		
5	9910610-1	. LED PANEL THROTTLE/FLAP 172	81241	81356 01
- 5A	9910610-1	. LED PANEL THROTTLE/FLAP 172S	09810	10431 01
- 5B	9910610-2	. LED PANEL THROTTLE/FLAP 172	81357	81496 01
- 5C	9910610-2	. LED PANEL THROTTLE/FLAP 172S	10432	10655 01
- 5D	9910610-4	. LED PANEL THROTTLE/FLAP 172	81497	& ON 01
- 5E	9910610-4	. LED PANEL THROTTLE/FLAP 172S	10656	& ON 01
		ATTACHING PARTS		
6	CM3558-4-8B	. SCREW		08
		—*—		
- 7	S1093B44	. PLUG BUTTON 172/172S USED ON 9910610-4	81497	& ON AR R
			10656	& ON

- ITEM NOT ILLUSTRATED

CESSNA AIRCRAFT COMPANY
MODEL 172 (SERIES 1996 AND ON)
ILLUSTRATED PARTS CATALOG

B320



DETAIL A

OVERHEAD LIGHTING INSTALLATION
FIGURE 01 (SHEET 1)

0510T1007
A0718T1025

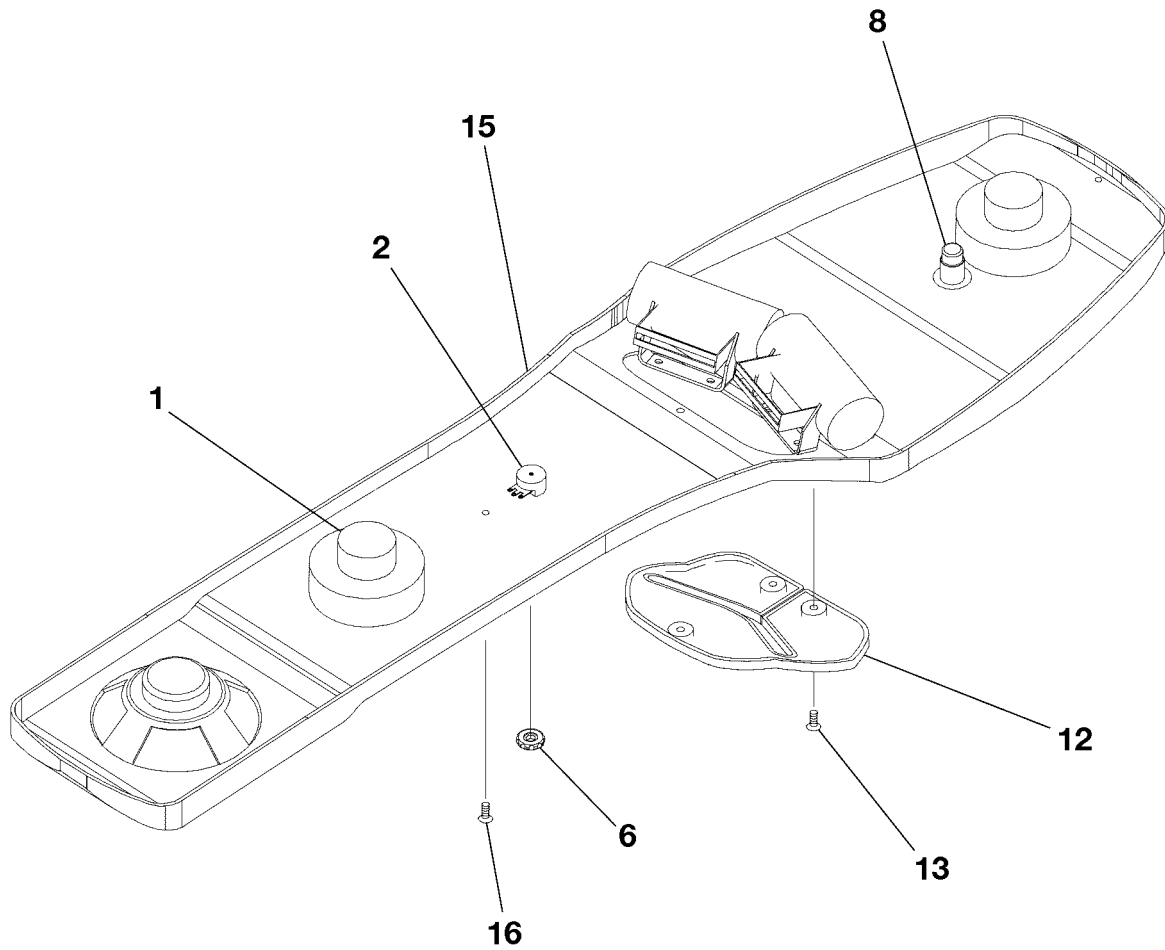
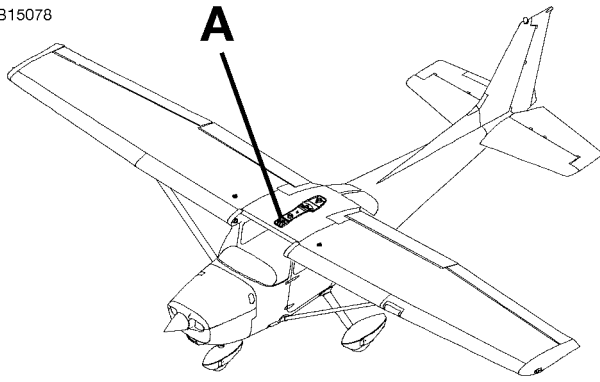
CESSNA AIRCRAFT COMPANY
MODEL 172 (SERIES 1996 AND ON)
ILLUSTRATED PARTS CATALOG

FIG ITEM	PART NUMBER	NOMENCLATURE	UNITS	
			PER	ASSY
01		OVERHEAD LIGHTING INSTALLATION		RF
-				
1	4596-1	. OVERHEAD LIGHTING ASSY FC005 172	V83564 80001	81149 01
- 1A	4596-1	. OVERHEAD LIGHTING ASSY FC005 172S	V83564 08001	09334 01
- 1B	RL6808-1	. READING LIGHT ASSY FC005 172	V83564 81150	81233 01
- 1C	RL6808-1	. READING LIGHT ASSY FC005 172S	V83564 09335	09770 01 R
2	S2606-2	. MOUNT		04
3	J20125-32	. SWITCH SC001	V81640	03
		ATTACHING PARTS		
- 3A	S3926-8-16V	. SCREW		AR
		—*—		
- 4	A-A-59178-1	. NIPPLE		AR
- 5	MS25171-1S	. NIPPLE FSO A-A-59178-1S 172	80782 80983	03
- 6	MS25171-1S	. NIPPLE FSO A-A-59178-1S 172S	08269 08703	03
- 7	MS25171-1S	. NIPPLE FSO A-A-59178-1S 172	80001 80781	01
- 8	MS25171-1S	. NIPPLE FSO A-A-59178-1S 172S	08001 08268	01
9	RL6806-1	. LIGHT ASSY FC002 172	81115 & ON	02
- 10	RL6806-1	. LIGHT ASSY FC002 172S	09095 & ON	02
11	4595-1	. LIGHT ASSY FC002 172	V83564 80001	81114 02
- 12	4595-1	. LIGHT ASSY FC002 172S	V83564 08001	09094 02
13	RL6806-1	. LIGHT ASSY FC003 172	81115 81233	02
- 14	RL6806-1	. LIGHT ASSY FC003 172S	09095 09770	02 R
15	4595-1	. LIGHT ASSY FC003 172	V83564 80001	81114 02
- 16	4595-1	. LIGHT ASSY FC003 172S	V83564 80001	09094 02
17	0570552-2	. OVERHEAD LIGHT WBA 172	80001	80983 01
- 18	0570552-2	. OVERHEAD LIGHT WBA 172S	08001	08703 01
- 19	0570552-4	. OVERHEAD LIGHT WBA 172	80984 81233	01
- 20	0570552-4	. OVERHEAD LIGHT WBA 172S	08704 09770	01 R
- 21	S3323E1	. SCREW 172	80001	80983 AR
- 22	S3323E1	. SCREW 172S	08001	08703 AR
- 23	S3926-8-16U	. SCREW 172	80984	& ON 03
- 24	S3926-8-16U	. SCREW 172S	08704	& ON 03
25		. OVERHEAD CONSOLE REFER TO 25-20-10 FIGURE 04		RF
26		. SPEAKER ASSEMBLY REFER TO 23-30-00 FIGURE 01		RF

- ITEM NOT ILLUSTRATED

CESSNA AIRCRAFT COMPANY
MODEL 172 (SERIES 1996 AND ON)
ILLUSTRATED PARTS CATALOG

B15078



DETAIL A

OVERHEAD LIGHTING INSTALLATION-LED
FIGURE 02 (SHEET 1)

0510T1007
A0519T1120

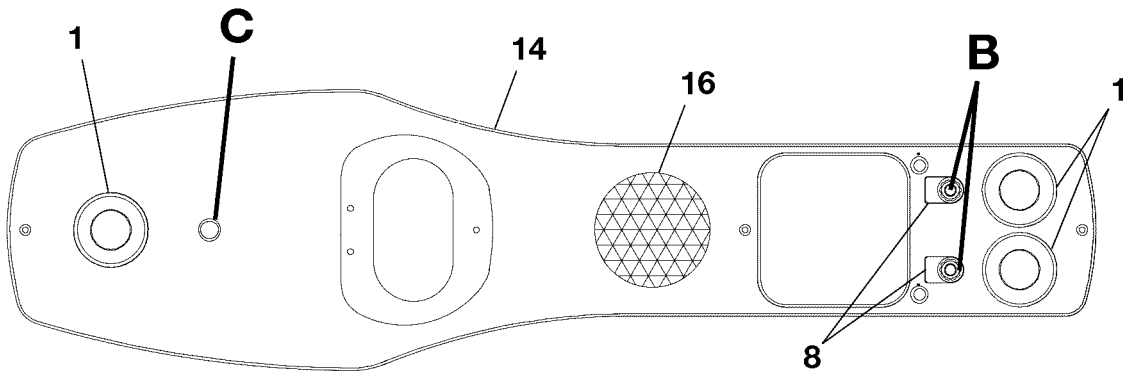
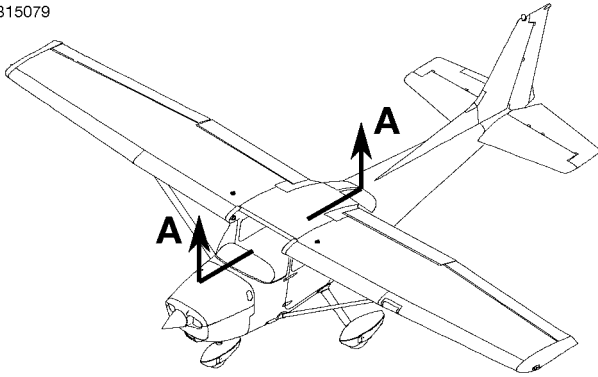
CESSNA AIRCRAFT COMPANY
MODEL 172 (SERIES 1996 AND ON)
 ILLUSTRATED PARTS CATALOG

FIG ITEM	PART NUMBER	NOMENCLATURE	UNITS PER ASSY		
			1	2	3
02		OVERHEAD LIGHTING INSTALLATION-LED			
-			81234	81272	RF
			09771	10102	
1	RL6870-1	. OVERHEAD LED V1XE65			02
2	S2619-1	. POTENTIOMETER			01
		ATTACHING PARTS			
- 3	MS35333-42	. WASHER, LOCK, FLAT			02
- 4	NAS1149F0616P	. WASHER			02
- 5	MS25082-20	. NUT			01
		—*—			
6	1270483-2	. KNOB ASSY			01
		ATTACHING PARTS			
- 7	AN565B2H3	. SETSCREW			01
		—*—			
8	J20125-32	. SWITCH V81640			01
- 9	MS25171-1S	. NIPPLE			01
- 10	S2606-2	. MOUNT			04
- 11	S2209-1	. TIE			06
12	0519076-3	. REEL COVER 172	081234	81259	01
- 12A	0519076-3	. REEL COVER 172S	09771	09971	01
- 12B	0519076-4	. REEL COVER 172 FSO 0719089-7	81260	81272	NP R
- 12C	0519076-4	. REEL COVER 172S FSO 0719089-7	09972	10102	NP R
- 12D	0719089-7	. REEL COVER			01 R
		ATTACHING PARTS			
13	S3926-8-14N	. SCREW			03
		—*—			
- 14	0570552-6	. OVERHEAD LIGHT WBA			01
15		. OVERHEAD CONSOLE ASSY-REFER TO 25-20-10 FIGURE 04			RF
		ATTACHING PARTS			
16	S3926-8-16N	. SCREW			03
		—*—			
- 17		. SPEAKER-REFER TO 23-30-00 FIGURE 01			RF

- ITEM NOT ILLUSTRATED

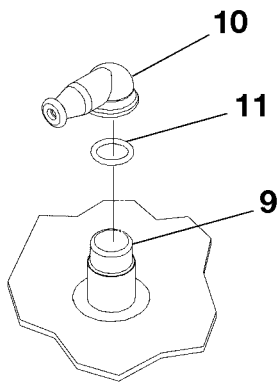
CESSNA AIRCRAFT COMPANY
MODEL 172 (SERIES 1996 AND ON)
 ILLUSTRATED PARTS CATALOG

B15079

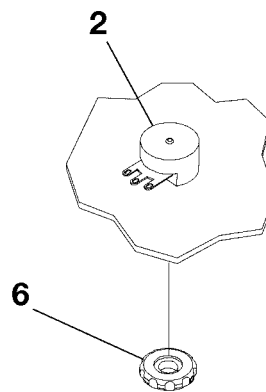


FWD →

VIEW A-A



DETAIL C



DETAIL B

OVERHEAD LIGHTING INSTALLATION-LED
 FIGURE 03 (SHEET 1)

0510T1007
 AA0514T1065
 B0514T1065
 C0514T1065

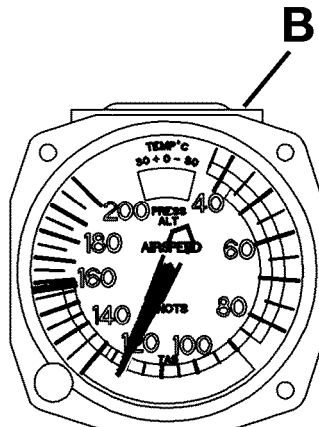
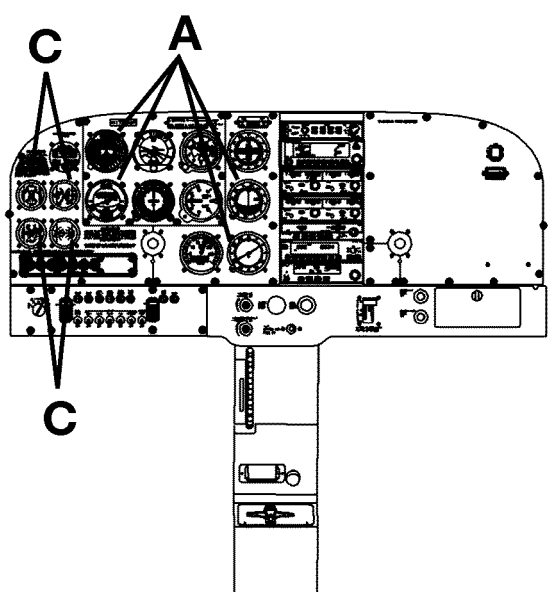
CESSNA AIRCRAFT COMPANY
MODEL 172 (SERIES 1996 AND ON)
 ILLUSTRATED PARTS CATALOG

FIG ITEM	PART NUMBER	NOMENCLATURE	UNITS PER ASSY		
			1	2	3
03					
-		OVERHEAD LIGHTING INSTALLATION-LED		81273 & ON	RF R
				10103 & ON	
1	RL6870-1	. OVERHEAD LED V1XE65			03 R
2	S2619-1	. POTENTIOMETER			02 R
		ATTACHING PARTS			
- 3	MS35333-42	. WASHER, LOCK, FLAT			01 R
- 4	NAS1149F0632P	. WASHER			01 R
- 5	MS25082-20	. NUT			01 R
		—*—			
6	1270483-2	. KNOB ASSY			02 R
		ATTACHING PARTS			
- 7	AN565B2H3	. SETSCREW			02 R
		—*—			
8	0719050-3	. DOME LIGHT PLATE ASSY.			02 R
9	J20125-32	. SWITCH V81640			01 R
10	MS25171-1S	. NIPPLE			01 R
11	NAS1596-5	. O-RING			01 R
- 12	0570552-8	. OVERHEAD LIGHT WBA			01 R
- 13	S2606-2	. MOUNT-WBA ATTACH			05 R
14		. OVERHEAD CONSOLE ASSY-REFER TO 25-20-10 FIGURE 04			RF R
- 15		. SPEAKER-REFER TO 23-30-00 FIGURE 01			RF R
16	0515073-12	. SPEAKER GRILL			01 R

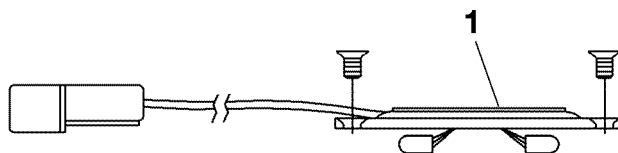
- ITEM NOT ILLUSTRATED

CESSNA AIRCRAFT COMPANY
MODEL 172 (SERIES 1996 AND ON)
 ILLUSTRATED PARTS CATALOG

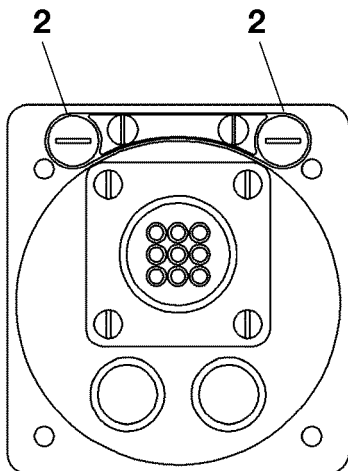
B321



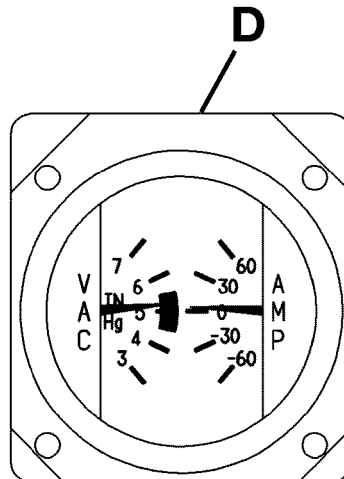
DETAIL A
 TYPICAL FLIGHT INSTRUMENT LIGHTING



DETAIL B



DETAIL D
 VIEW LOOKING AFT



DETAIL C
 TYPICAL ENGINE
 INSTRUMENT LIGHTING

0585T1040
 A0518R1036
 B0518R1036
 C0518R1037
 D0518R1037

INSTRUMENT LIGHTING INSTALLATION
 FIGURE 01 (SHEET 1)

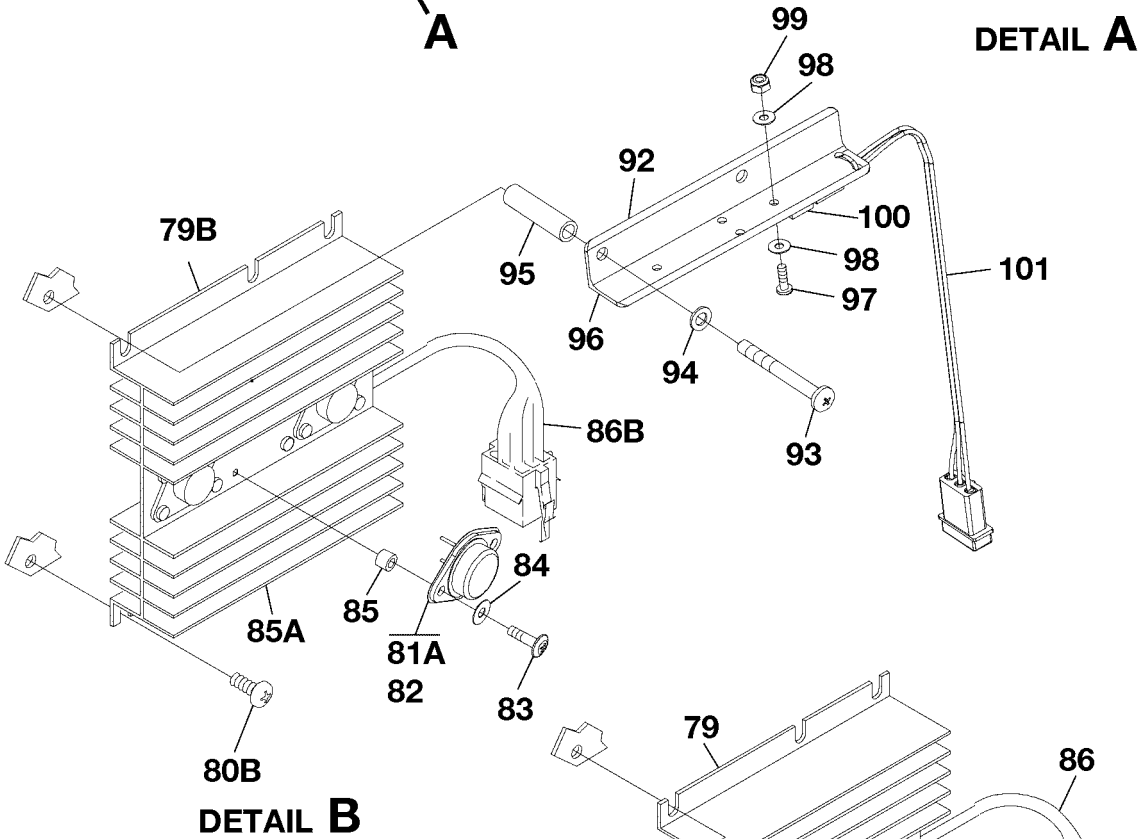
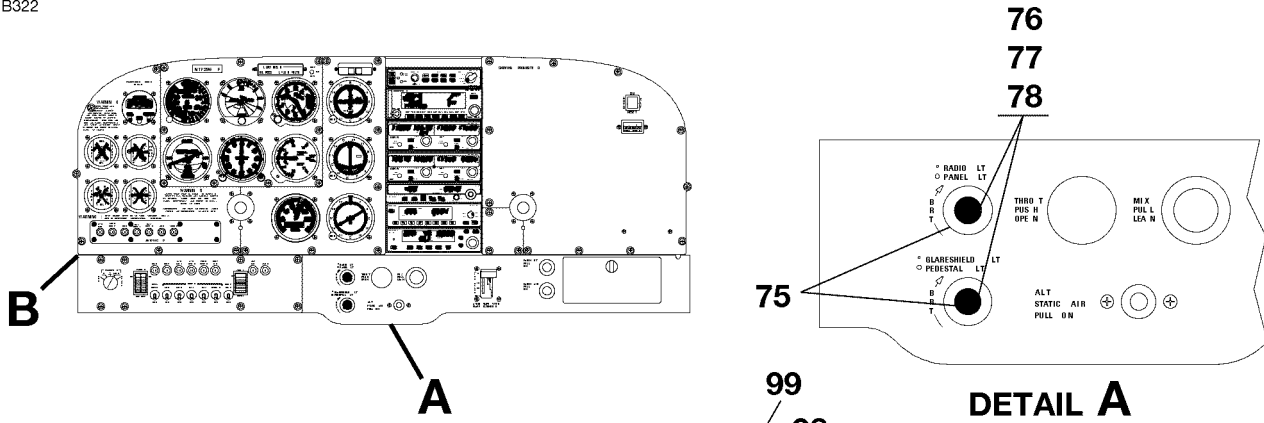
CESSNA AIRCRAFT COMPANY
MODEL 172 (SERIES 1996 AND ON)
 ILLUSTRATED PARTS CATALOG

FIG ITEM	PART NUMBER	1 2 3 4 5 6 7 NOMENCLATURE	UNITS PER ASSY
01		INSTRUMENT LIGHTING INSTALLATION	RF
-			
1	S3312-1	. LIGHT BAR ASSY-FLIGHT INSTRUMENTS	01
2	S3353-1	. LIGHT BULB ASSY-ENGINE INSTRUMENTS	01
- 3		. WBA INSTRUMENT LIGHTING REFER TO WDM	RF
- 4		. INSTRUMENT PANEL REFER TO 31-00-00 FIGURE 01	RF

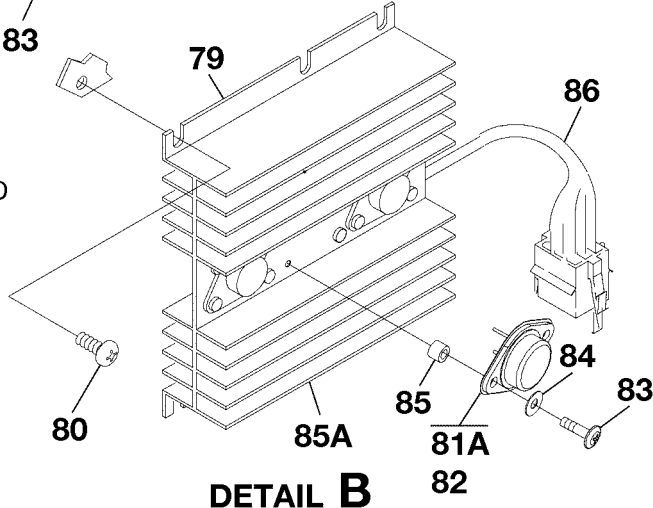
- ITEM NOT ILLUSTRATED

CESSNA AIRCRAFT COMPANY
MODEL 172 (SERIES 1996 AND ON)
 ILLUSTRATED PARTS CATALOG

B322



DETAIL B
 AIRPLANES 17281234 AND ON AND
 AIRPLANES 172S9771 AND ON



DETAIL B
 AIRPLANES 17280001 THRU 17281233 AND
 AIRPLANES 172S8001 THRU 172S9770

INSTRUMENT LIGHTING INSTALLATION
 FIGURE 01 (SHEET 2)

0585T1040
 A0585T1040
 B0518T1039
 B0518T1125

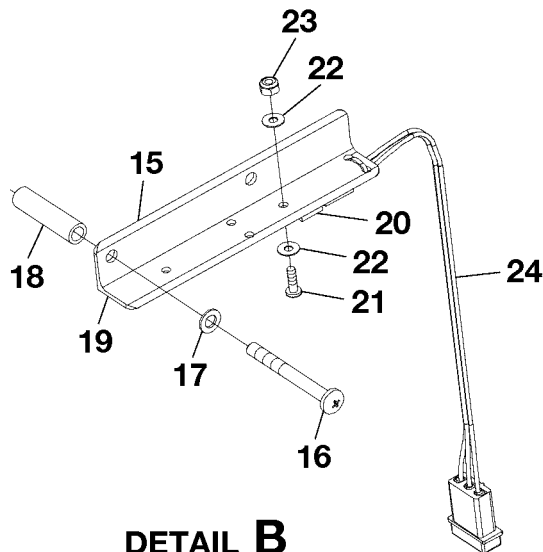
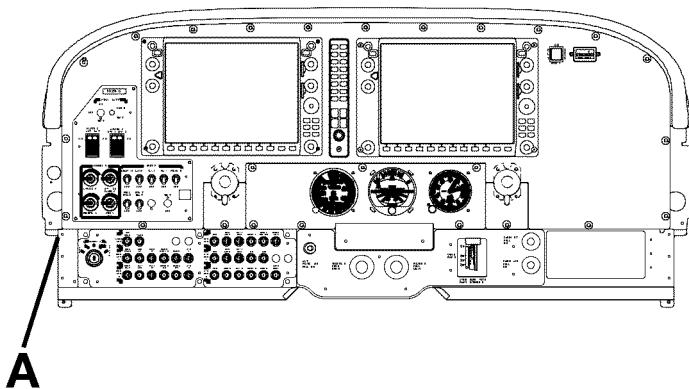
CESSNA AIRCRAFT COMPANY
MODEL 172 (SERIES 1996 AND ON)
ILLUSTRATED PARTS CATALOG

FIG ITEM	PART NUMBER	NOMENCLATURE	UNITS	
			PER	ASSY
01				
75	S1995-5	. KNOB-DIMMER		01
76	S1995-6	. BUTTON-BRIGHT LIGHT RADIO		01
77	AN565B2H3	. SET SCREW		01
78	S2091-9	. VARIABLE RESISTOR (POTENTIOMETER-REOSTAT) RI002		01
79	1570301-4	. DIMMING ASSY ZC001 172 FSO 1570301-5	80001	80983 NP
- 79A	1570301-4	. DIMMING ASSY ZC001 172S FSO 1570301-5	08001	08703 NP
79B	1570301-5	. DIMMING ASSY 172	80984	& ON 01
- 79C	1570301-5	. DIMMING ASSY 172S	08704	& ON 01
		ATTACHING PARTS		
80	MS35207-261	. SCREW 172	80001	81233 04
- 80A	MS35207-261	. SCREW 172S	08001	09770 04
80B	MS35207-261	. SCREW 172	81234	& ON 02
- 80C	MS35207-261	. SCREW 172S	09771	& ON 02
		—*—		
- 81	LM350K	. . VOLTAGE REGULATOR QZ001		01
81A	LM350K	. . VOLTAGE REGULATOR QZ002		01
- 81B	LM350K	. . VOLTAGE REGULATOR QZ003		01
82	1009-05	. . INSULATOR V55285		03
83	S1021Z6-8	. . SCREW		06
84	NAS1149FN616P	. . WASHER		06
85	314-1431-006-500	. . SPACER V74970		06
85A	S2266-2	. . HEAT SINK		01
86	0570558-1	. . DIMMING MODULE CABLE ASSY 172	80001	80983 01
- 86A	0570558-1	. . DIMMING MODULE CABLE ASSY 172S	08001	08703 01
86B	0570558-2	. . DIMMING MODULE WBA 172	80984	& ON 01
- 86C	0570558-2	. . DIMMING MODULE WBA 172S	08704	& ON 01
		ATTACHING PARTS		
- 87	S1676-2B20	. . SCREW		01
- 88	S1155-3	. . CLAMP		01
- 89	NAS1149FN616P	. . WASHER		01
- 90	MS35333-37	. . WASHER- LOCK		01
- 91	MS35649-262	. . NUT		01
		—*—		
92	0518033-1	. DIMMING ASSY 172	81234	& ON 01
- 92A	0518033-1	. DIMMING ASSY 172S	09771	& ON 01
		ATTACHING PARTS		
93	MS27039-1-28	. SCREW		02
94	NAS620-10L	. WASHER		02
95	NAS43DD3-80FC	. SPACER		02
		—*—		
96	1218031-4	. . BRACKET		01
97	MS35206-216	. . SCREW		01
98	NAS1149FN416P	. . WASHER		02
99	MS21044N04	. . NUT		01
100	NJM317F	. . ADJ. VOLTAGE REGULATOR Q1 VS5416		01
101	0570559-1	. . DIMMING MODULE WBA		01

- ITEM NOT ILLUSTRATED

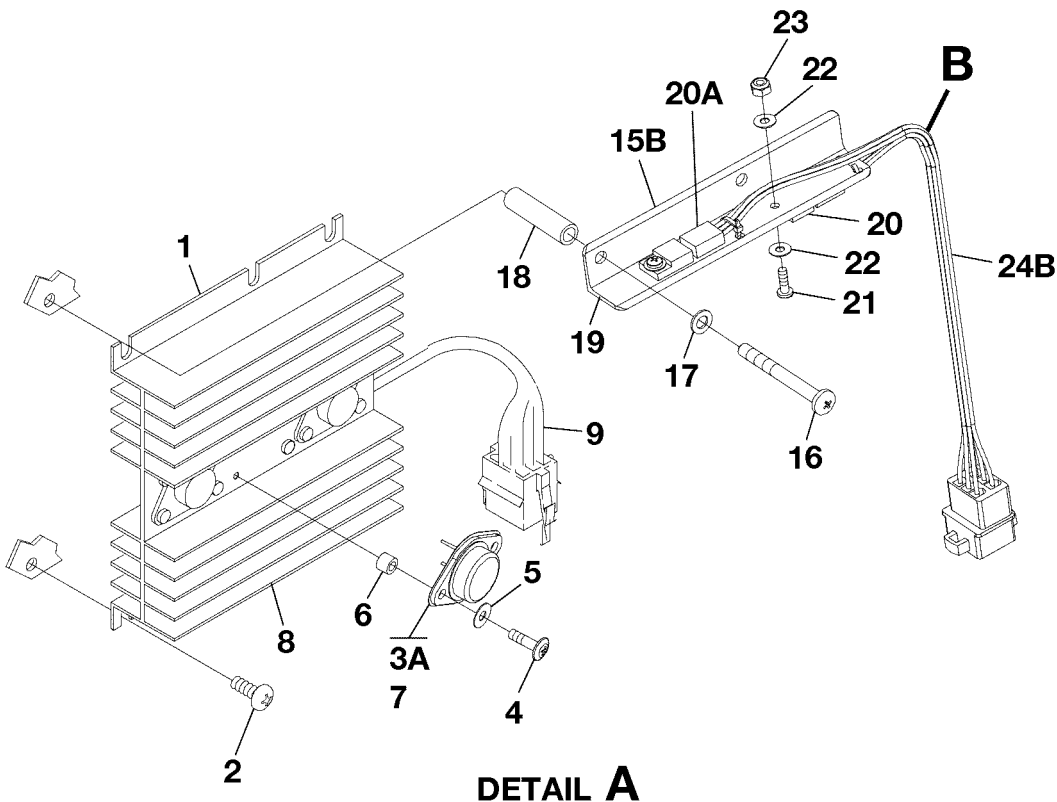
CESSNA AIRCRAFT COMPANY
MODEL 172 (SERIES 1996 AND ON)
 ILLUSTRATED PARTS CATALOG

B4107



DETAIL B

AIRPLANES 17281241 THRU 17281272 AND
 AIRPLANES 172S9810 THRU 172S10102



DETAIL A

INSTRUMENT LIGHTING INSTALLATION-NAV III
 FIGURE 01A (SHEET 1)

0518T1120
 A0518T1126
 B0518T1125

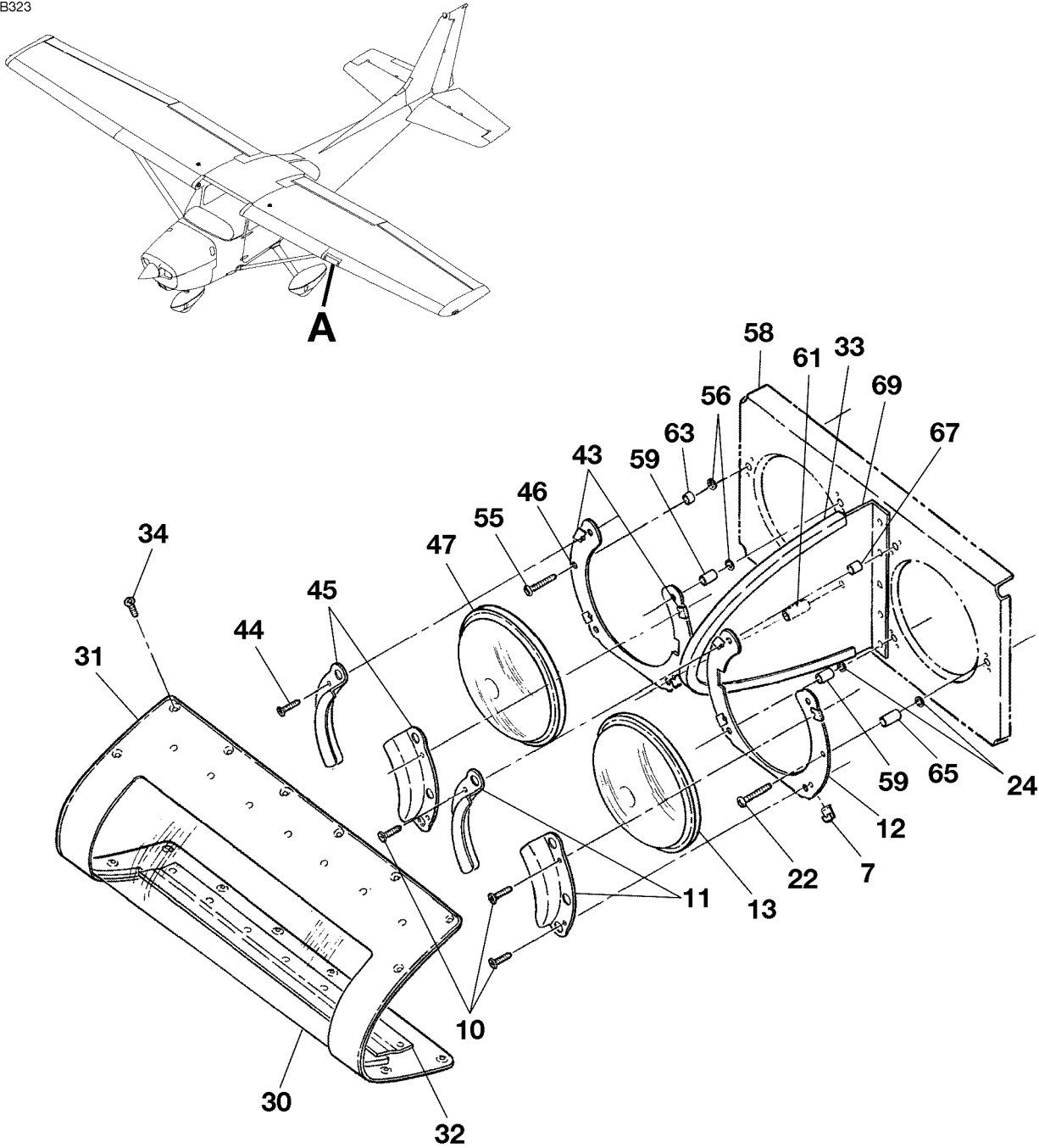
CESSNA AIRCRAFT COMPANY
MODEL 172 (SERIES 1996 AND ON)
ILLUSTRATED PARTS CATALOG

FIG ITEM	PART NUMBER	NOMENCLATURE	UNITS PER ASSY		
			1	2	3
01A		INSTRUMENT LIGHTING INSTALLATION-NAV III			
-			81241	& ON	RF
			09810	& ON	
1	1570301-7	. DIMMING ASSY 172	81241	81496	01 R
- 1A	1570301-7	. DIMMING ASSY 172S	09810	10655	01 R
- 1B	1570301-8	. DIMMING ASSY 172	81497	& ON	01
- 1C	1570301-8	. DIMMING ASSY 172S	10656	& ON	01
		ATTACHING PARTS			
2	MS35207-261	. SCREW			02
		—*—			
- 3	LM350K	. . VOLTAGE REGULATOR QZ001			01
3A	LM350K	. . VOLTAGE REGULATOR QZ002			01
- 3B	LM350K	. . VOLTAGE REGULATOR QZ003			01
		ATTACHING PARTS			
4	S1021Z6-8	. . SCREW			02
5	NAS1149FN616P	. . WASHER			02
6	314-1431-006-500	. . SPACER V74970			02
		—*—			
7	1009-05	. . INSULATOR V55285			03
8	S2266-2	. . HEAT SINK			01
9	0770559-1	. . DIMMING MODULE-WBA	81241	81496	01
- 9A	0770559-1	. . DIMMING MODULE-WBA	09810	10655	01
- 9B	0770559-2	. . DIMMING MODULE-WBA	81497	& ON	01
- 9C	0770559-2	. . DIMMING MODULE-WBA	10656	& ON	01
		ATTACHING PARTS			
- 10	S1155-3	. . CLAMP			01
- 11	S1676-2B20	. . SCREW			01
- 12	NAS1149FN616P	. . WASHER			01
- 13	MS35333-37	. . WASHER-LOCK			01
- 14	MS35649-262	. . NUT			01
		—*—			
15	0518033-1	. . DIMMING ASSY 172	81241	81272	01
- 15A	0518033-1	. . DIMMING ASSY 172S	09810	10102	01
15B	1218032-3	. . DIMMING ASSY 172	81273	& ON	01
- 15C	1218032-3	. . DIMMING ASSY 172S	10103	& ON	01
		ATTACHING PARTS			
16	MS27039-1-28	. . SCREW			02
17	NAS620-10L	. . WASHER			02
18	NAS43DD3-80FC	. . SPACER			02
		—*—			
19	1218031-4	. . BRACKET			01
20	NJM317F	. . ADJ. VOLTAGE REGULATOR Q1 VS5416			01
20A	NJM317F	. . ADJ. VOLTAGE REGULATOR 172 Q2 VS5416	81273	& ON	01
- 20B	NJM317F	. . ADJ. VOLTAGE REGULATOR 172S Q2 VS5416	81273	& ON	01
		ATTACHING PARTS			
21	MS35206-216	. . SCREW			01
22	NAS1149FN416P	. . WASHER			02
23	MS21044N04	. . NUT			01
		—*—			
24	0570559-1	. . DIMMING MODULE-WBA 172	81241	81272	01
- 24A	0570559-1	. . DIMMING MODULE-WBA 172S	09810	10102	01
24B	1270559-3	. . DIMMING MODULE-WBA 172	81273	& ON	01
- 24C	1270559-3	. . DIMMING MODULE-WBA 172S	10103	& ON	01

- ITEM NOT ILLUSTRATED

CESSNA AIRCRAFT COMPANY
MODEL 172 (SERIES 1996 AND ON)
ILLUSTRATED PARTS CATALOG

B323



DETAIL A

AIRPLANES 17280001 THRU 17281245 AND
AIRPLANES 172S8001 THRU 172S9837

LANDING & TAXI LIGHT INSTALLATION
FIGURE 01 (SHEET 1)

0510T1007
0528R3001

CESSNA AIRCRAFT COMPANY
MODEL 172 (SERIES 1996 AND ON)
ILLUSTRATED PARTS CATALOG

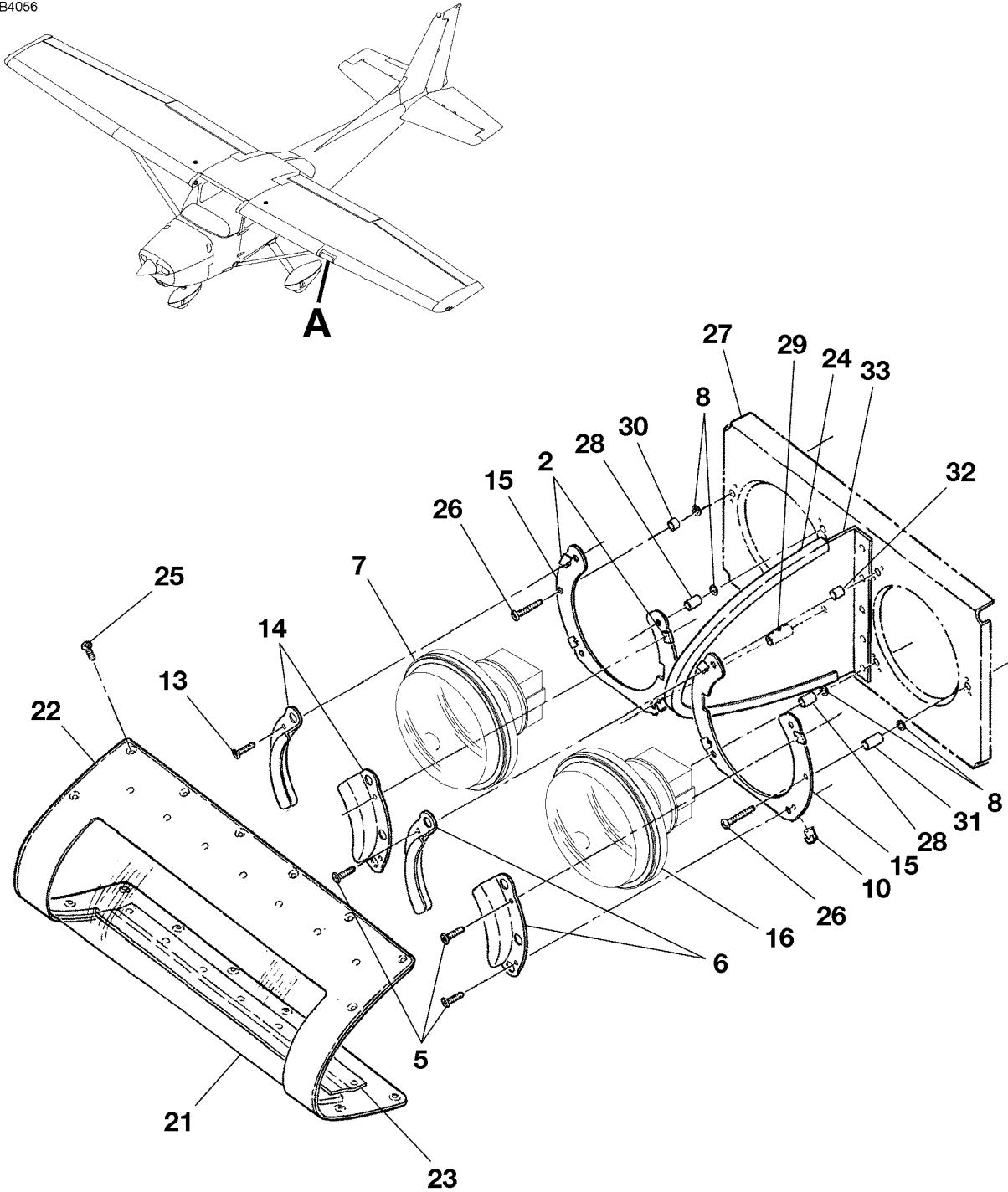
FIG ITEM	PART NUMBER	NOMENCLATURE	UNITS PER ASSY		
	1 2 3 4 5 6 7				
01		LANDING & TAXI LIGHT INSTALLATION			
-			80001	81245	RF
			08001	09837	
- 1	1221059-7	. TAXI LIGHT ASSY 172	80001	81142	01
- 2	1221059-7	. TAXI LIGHT ASSY 172S	08001	09288	01
- 3	1221059-9	. TAXI LIGHT ASSY 172	81143	81233	01
- 4	1221059-9	. TAXI LIGHT ASSY 172S	09289	09770	01
- 5	1221059-11	. TAXI LIGHT ASSY-HID 172	81234	81245	01
- 6	1221059-11	. TAXI LIGHT ASSY-HID 172S	09771	09837	01
7	S4216-1	. NUT			04
- 8		. DELETED-NOT USED			
- 9		. DELETED-NOT USED			
10	S1021Z6-8	. SCREW			04
11	1221059-5	. BRACKET			02
12	1221059-6	. PLATE			01
13	4587	. LAMP ALT 4626 172	80001	81142	NP
- 14	4587	. LAMP ALT 4626 172S	08001	09288	NP
- 15	4626	. LAMP FSO 34-0750707-00 172	81143	81233	NP
- 16	4626	. LAMP FSO 34-0750707-00 172S	09289	09770	NP
- 17	34-0750707-00	. HALOGEN TAXI LAMP 172	V10402	81143	81233
- 18	34-0750707-00	. HALOGEN TAXI LAMP 172S	09289	09770	01
- 19	81009-1	. TAXI LIGHT HID 35W FSO 81011-1 172	V32890	81234	81245
- 20	81009-1	. TAXI LIGHT HID 35W FSO 81011-1 172S	V32890	09771	09837
- 21	81011-1	. TAXI LIGHT HID 35W REFER TO NOTE 1	V32890		01
22	AN520-10R18	. SCREW			06
- 23	NAS1149F0363P	. WASHER			AR
- 24	NAS1149F0363P	. WASHER			AR
- 25	0522113-2	. LENS ASSY			01
- 26	C7358-014	. RING ALT C7358-014-27	V78553		NP
- 27	C7358-014-27	. RETAINER ALT NAS446-4-3 FSO C01591-014-27	V78553		04
- 27A	C01591-014-27	. SPEED NUT	V78553		NP
- 28	NAS446-4-3	. NUT FSO S3230-4			NP
- 29	S4215-4	. NUT			04
30	0522109-1	. LENS			01
31	0522112-1	. RETAINER			01
32	0522114-1	. RETAINER			02
33	0522116-1	. FINISH CHANNEL			01
34	MS24693-S48	. SCREW			16
- 35	1221059-8	. LANDING LIGHT ASSY 172	80001	81142	01
- 36	1221059-8	. LANDING LIGHT ASSY 172S	08001	09288	01
- 37	1221059-10	. LANDING LIGHT ASSY 172	81143	81233	01
- 38	1221059-10	. LANDING LIGHT ASSY 172S	09289	09770	01
- 39	1221059-12	. LANDING LIGHT ASSY 172	81234	81245	01
- 40	1221059-12	. LANDING LIGHT ASSY 172S	09771	09837	01
- 41		. DELETED-NOT USED			
- 42		. DELETED-NOT USED			
43	S4216-1	. NUT			04
44	S1021Z6-6	. SCREW			01
45	1221059-5	. BRACKET			01
46	1221059-6	. PLATE			01
47	4596	. LAMP FSO 34-0750692-00 172	80001	81142	NP
- 48	4596	. LAMP FSO 34-0750692-00 172S	08001	09288	NP
- 49	4594	. LAMP ALT FOR 4596 172S	81143	81233	01
- 50	4594	. LAMP ALT FOR 4596 172S	09289	09770	01
- 50A	MS25243-4594	. LIGHT, TAXI ALT FOR 4594			01
- 51	34-0750692-00	. HALOGEN TAXI LAMP			01
- 52	81008-1	. LIGHT-LANDING, HID 35W FSO 81010-1 172	V32890	81234	81245
- 53	81008-1	. LIGHT-LANDING, HID 35W FSO 81010-1 172S	V32890	09771	09837
- 54	81010-1	. LIGHT-LANDING, HID 35W REFER TO NOTE 1	V32890		01
55	AN520-10R18	. SCREW			06
56	NAS1149F0363P	. WASHER			AR
- 57		. DELETED-NOT USED			
58		. BRACKET ASSY REFER TO 57-40-00 FIGURE 02			RF
59	NAS43DD3-36FC	. SPACER			02
- 60	NAS43DD3-36N	. SPACER FSO NAS43DD3-36FC			NP
61	NAS43DD3-48FC	. SPACER			01
- 62	NAS43DD3-48N	. SPACER FSO NAS43DD3-48FC			NP
63	NAS43DD3-14FC	. SPACER			01
- 64	NAS43DD3-14N	. SPACER FSO NAS43DD3-14FC			NP
65	NAS43DD3-44FC	. SPACER			01
- 66	NAS43DD3-44N	. SPACER FSO NAS43DD3-44FC			NP
67	NAS43DD3-24FC	. SPACER			01
- 68	NAS43DD3-24N	. SPACER FSO NAS43DD3-24FC			NP
69		. BAFFLE ASSY REFER TO 57-40-00 FIGURE 02			RF

NOTE 1—AIRPLANES 17280001 THRU 17281233 AND AIRPLANES 172S8001 THRU 172S9700 INCORPORATING MK172-33-01

- ITEM NOT ILLUSTRATED

CESSNA AIRCRAFT COMPANY
MODEL 172 (SERIES 1996 AND ON)
ILLUSTRATED PARTS CATALOG

B4056



DETAIL A

AIRPLANES 17281246 AND ON AND
AIRPLANES 172S9837 AND ON

LANDING & TAXI LIGHT INSTALLATION
FIGURE 01A (SHEET 1)

0510T1007
A0528R3001

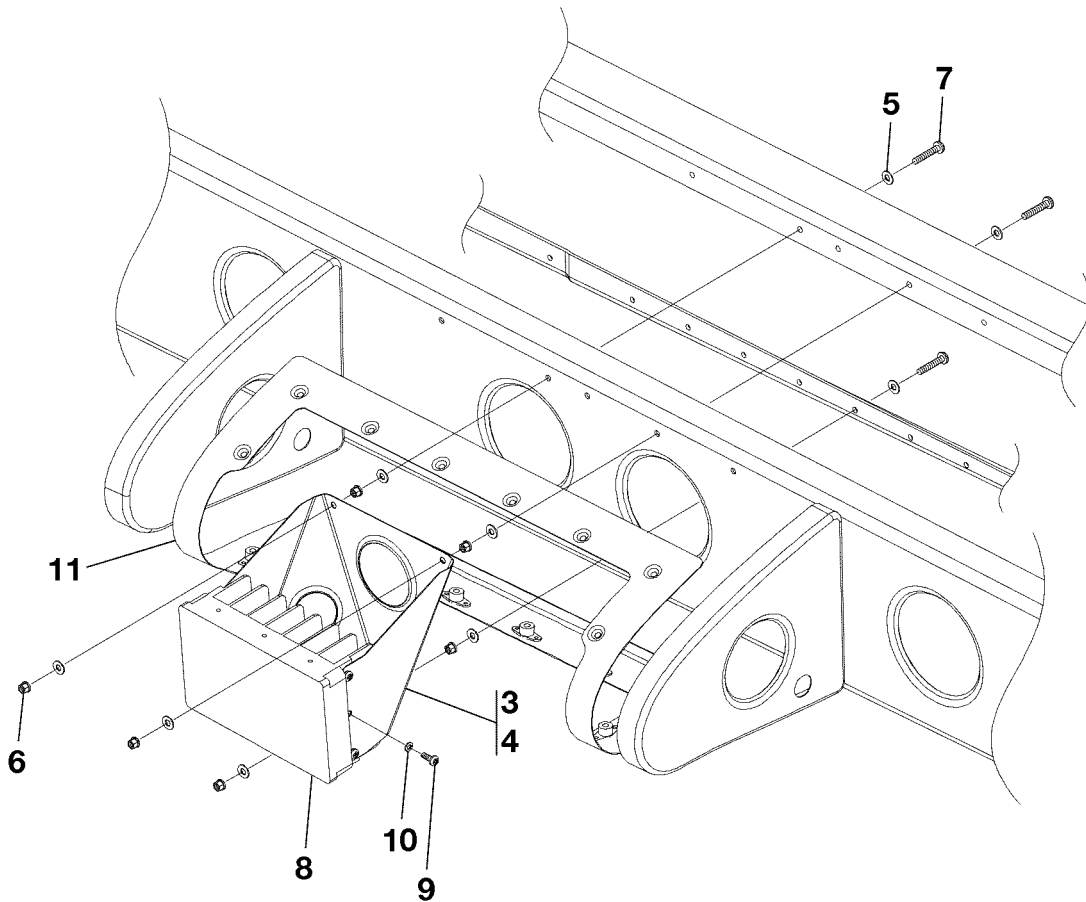
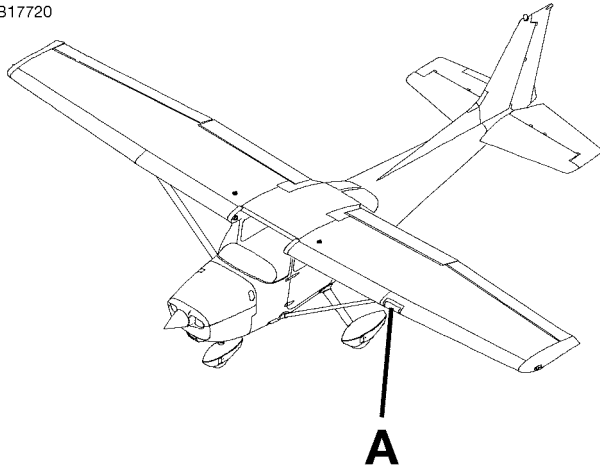
CESSNA AIRCRAFT COMPANY
MODEL 172 (SERIES 1996 AND ON)
ILLUSTRATED PARTS CATALOG

FIG ITEM	PART NUMBER	NOMENCLATURE	UNITS PER ASSY		
			1	2	3
01A		LANDING & TAXI LIGHT INSTALLATION	81246	81578	RF R
-			09837	11085	
- 1	1221059-14	. TAXI LIGHT ASSY-HID			01
2	S4216-1	. . NUT			04
- 3		. . DELETED-NOT USED			
- 4		. . DELETED-NOT USED			
5	S1021Z6-6	. . SCREW			04
6	1221059-5	. . BRACKET			02
7	81011-1	. . TAXI LIGHT-HID 35W	V32890		01
8	NAS1149F0363P	. . WASHER			AR
- 8A		. . DELETED-NOT USED			
- 9	1221059-15	. . LANDING LIGHT ASSY-HID			01
10	S4216-1	. . NUT			04
- 11		. . DELETED-NOT USED			
- 12		. . DELETED-NOT USED			
13	S1021Z6-6	. . SCREW			04
14	1221059-5	. . BRACKET			01
15	1221059-6	. . PLATE			02
16	81010-1	. . LANDING LIGHT-HID 35W	V32890		01
- 17	0522113-2	. . LENS ASSY			01 R
- 18	C7358-014	. . RING ALT C7358-014-27	V78553		04
- 19	C7358-014-27	. . RETAINER FSO C12003-012-4	V78553		04 R
- 20	S4215-4	. . NUT			04
- 20	C12003-012-4	. . SPEED NUT			04 R
21	0522109-1	. . LENS - LH			01 R
- 21A	0522109-2	. . LENS - RH			01 R
22	0522112-1	. . RETAINER			01 R
- 22A	0522112-3	. . RETAINER -LH			01 R
- 22C	0522112-4	. . RETAINER -RH			01 R
23	0522114-1	. . RETAINER			01
24	0522116-1	. . FINISH CHANNEL			01
25	MS24693-S48	. . SCREW			16
26	AN520-10R18	. . SCREW			06
27		. . BRACKET ASSY REFER TO 57-40-00 FIGURE 02			RF
28	NAS43DD3-36FC	. . SPACER			02
- 28A	NAS43DD3-36N	. . SPACER FSO NAS43DD3-36FC			NP
29	NAS43DD3-48FC	. . SPACER			01
- 29A	NAS43DD3-48N	. . SPACER FSO NAS43DD3-48FC			NP
30	NAS43DD3-14FC	. . SPACER			01
- 30A	NAS43DD3-14N	. . SPACER FSO NAS43DD3-14FC			NP
31	NAS43DD3-44FC	. . SPACER			01
- 31A	NAS43DD3-44N	. . SPACER FSO NAS43DD3-44FC			NP
32	NAS43DD3-24FC	. . SPACER			01
- 32A	NAS43DD3-24N	. . SPACER FSO NAS43DD3-24FC			NP
33		. . BAFFLE ASSY REFER TO 57-40-00 FIGURE 02			RF

- ITEM NOT ILLUSTRATED

CESSNA AIRCRAFT COMPANY
MODEL 172 (SERIES 1996 AND ON)
ILLUSTRATED PARTS CATALOG

B17720



DETAIL A

LANDING AND TAXI LIGHT INSTALLATION
FIGURE 01B (SHEET 1)

0510T1001
A0728T1005

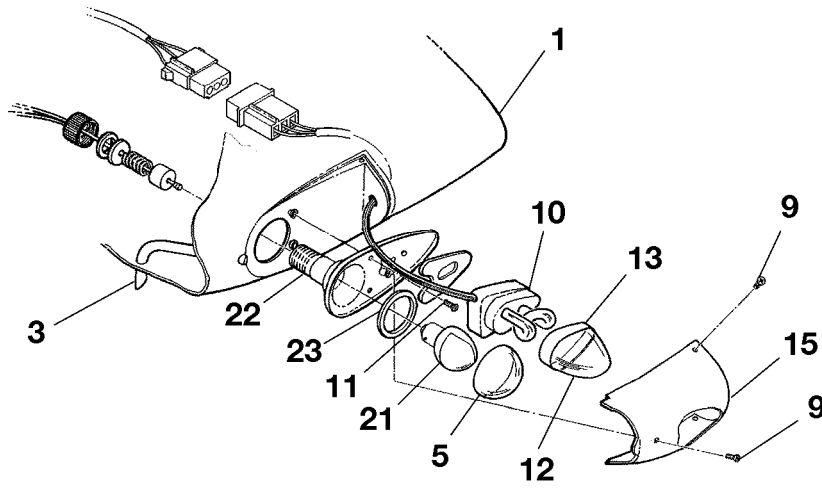
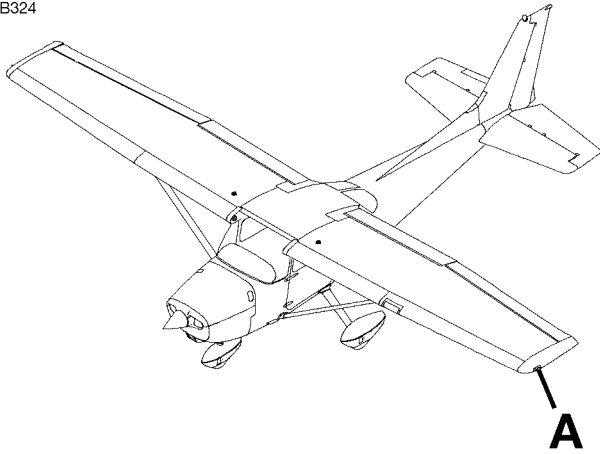
CESSNA AIRCRAFT COMPANY
MODEL 172 (SERIES 1996 AND ON)
 ILLUSTRATED PARTS CATALOG

FIG ITEM	PART NUMBER	NOMENCLATURE	UNITS PER ASSY		
			1	2	3
01B					
-		LANDING AND TAXI LIGHT INSTALLATION		81579 & ON	RF R
				11086 & ON	
- 1	0728004-1	. LANDING AND TAXI LIGHT ASSY-LH			01 R
- 2	0728004-2	. LANDING AND TAXI LIGHT ASSY-RH			01 R
3	0728003-1	. . BRACKET-LH			01 R
4	0728003-2	. . BRACKET-RH			01 R
		ATTACHING PARTS			
5	NAS1149FN832P	. . WASHER			09 R
6	MS21042L08	. . NUT			06 R
7	MS35206-248	. . SCREW			03 R
		—*—			
8	01-0771368-00	. . LANDING AND TAXI LIGHT V10402			01 R
		ATTACHING PARTS			
9	MS35206-228	. . SCREW			06 R
10	MS35338-41	. . WASHER-LOCK AND SPRING			06 R
11		. DOUBLER ASSY REFER TO 57-40-00 FIGURE 01			RF R

- ITEM NOT ILLUSTRATED

CESSNA AIRCRAFT COMPANY
MODEL 172 (SERIES 1996 AND ON)
ILLUSTRATED PARTS CATALOG

B324



DETAIL A

LIGHTING - NAVIGATION WING AND TAIL
FIGURE 02 (SHEET 1)

0510T1007
A0518R2004

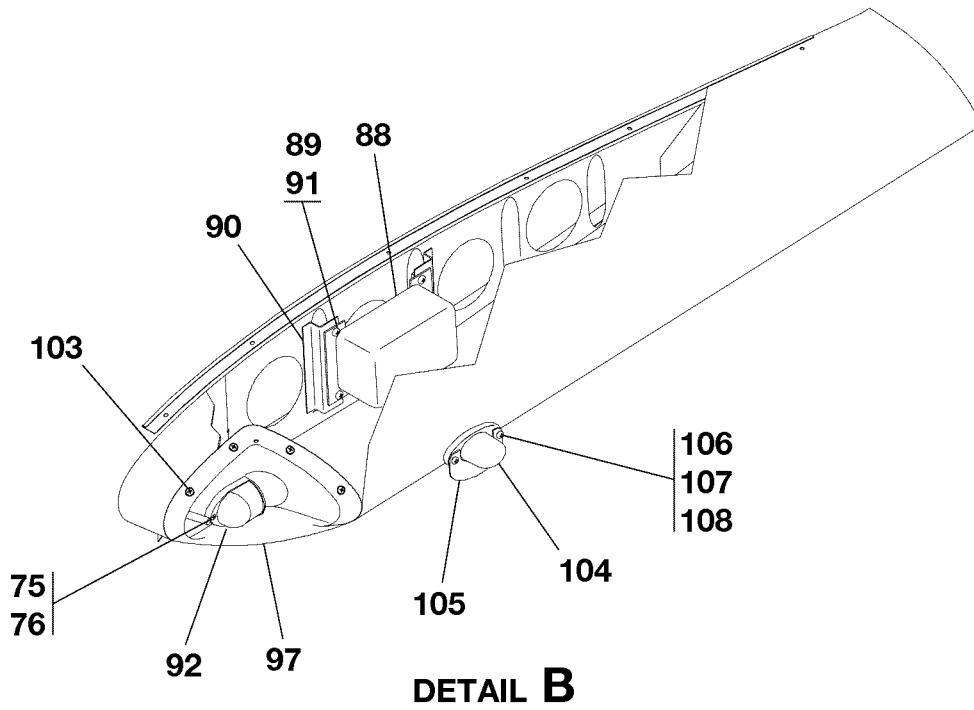
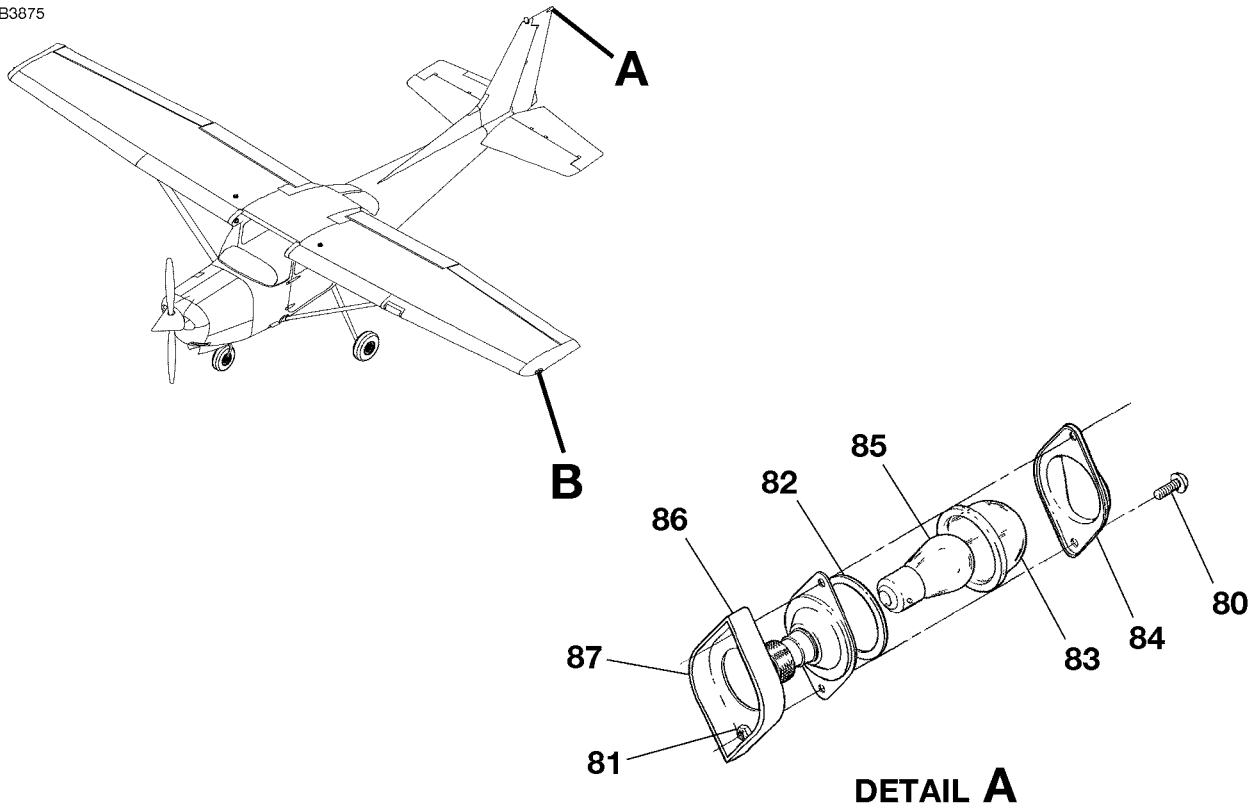
CESSNA AIRCRAFT COMPANY
MODEL 172 (SERIES 1996 AND ON)
ILLUSTRATED PARTS CATALOG

FIG ITEM	PART NUMBER	NOMENCLATURE	UNITS PER ASSY		
			1	2	3
02		LIGHTING - NAVIGATION WING AND TAIL			
-			80001	81496	RF
			80001	10655	
1	0723200-33	WING TIP ASSY-LH 172	80001	81200	01
- 1A	0723200-33	WING TIP ASSY-LH 172S	08001	09568	01
- 1B	0723205-1	WING TIP ASSY-LH 172 FSO 0723205-19	81201	81298	NP
- 1C	0723205-1	WING TIP ASSY-LH 172S FSO 0723205-19	09569	10121	NP
- 1D	0723205-19	WING TIP ASSY-LH 172	81299	81359	NP
- 1E	0723205-19	WING TIP ASSY-LH 172S	10122	10427	NP
- 1F	0723206-1	WING TIP ASSY-LH 172	81360	81496	01
- 1G	0723206-1	WING TIP ASSY-LH 172S	10428	10655	01
- 2	0723200-32	WING TIP ASSY-RH 172	80001	81200	01
- 2A	0723200-32	WING TIP ASSY-RH 172S	08001	09568	01
- 2B	0723205-2	WING TIP ASSY-RH 172 FSO 0723205-20	81201	81298	NP
- 2C	0723205-2	WING TIP ASSY-RH 172S FSO 0723205-20	09569	10121	NP
- 2D	0723205-20	WING TIP ASSY-RH 172	81299	81359	NP
- 2E	0723205-20	WING TIP ASSY-RH 172S	10122	10427	NP
- 2F	0723206-2	WING TIP ASSY-RH 172	81360	81496	01
- 2G	0723206-2	WING TIP ASSY-RH 172S	10428	10655	01
3	1221201-3	DETECTOR-LH 172	80001	81200	01
- 3A	1221201-3	DETECTOR-LH 172S	08001	09568	01
- 3B	0723205-13	DETECTOR-LH 172 FSO 0723205-23	81201	81298	NP
- 3C	0723205-13	DETECTOR-LH 172S FSO 0723205-23	09569	10121	NP
- 3D	0723205-23	DETECTOR-LH 172	81299	81496	01
- 3E	0723205-23	DETECTOR-LH 172S	10122	10655	01
- 4	1221201-4	DETECTOR-RH 172	80001	81200	01
- 4A	1221201-4	DETECTOR-RH 172S	08001	09568	01
- 4B	0723205-14	DETECTOR-RH 172 FSO 0723205-24	81201	81298	NP
- 4C	0723205-14	DETECTOR-RH 172S FSO 0723205-24	09569	10121	NP
- 4D	0723205-24	DETECTOR-RH 172	81299	81496	01
- 4E	0723205-24	DETECTOR-RH 172S	10122	10655	01
5	W1284-R	LIGHT LENS 172	V10402	80001	81200
- 5A	W1284-R	LIGHT LENS 172S	V10402	08001	09568
6	A1280-2	LENS ALT FOR W1284-R			01
- 7	68-4230020-50	LENS ALT FOR W1284-R			01
- 7A	921-048-02	LIGHT LENS ALT FOR W1284-R			01
8	W1284-G	LENS 172	V10402	80001	81200
- 8A	W1284-G	LENS 172S	V10402	08001	09568
9	MS24693-S28	SCREW-LENS ATTACH 172	80001	81200	05
- 9A	MS24693-S28	SCREW-LENS ATTACH 172S	08001	09568	05
10	C622003-0101	LIGHT-STROBE 172	80001	81200	01
- 10A	C622003-0101	LIGHT-STROBE 172S	08001	09568	01
11	MS24693-S30	SCREW-LIGHT ATTACH 172	80001	81200	01
- 11A	MS24693-S30	SCREW-LIGHT ATTACH 172S	08001	09568	01
12	C622003-0104	LENS-NAV LIGHT 172	80001	81200	01
- 12A	C622003-0104	LENS-NAV LIGHT 172S	08001	09568	01
13	A427-3	SPACER PAD 172	V10402	80001	81200
- 13A	A427-3	SPACER PAD 172S	08001	09568	01
- 14	1520006-1	SPACER ALT FOR A427-3			01
15	0723201-3	SHIELD-LH WING POSITION LIGHT 172	80001	81200	01
- 15A	0723201-3	SHIELD-LH WING POSITION LIGHT 172S	08001	09568	01
- 16	0723201-4	SHIELD-RH WING POSITION LIGHT 172	80001	81200	01
- 16A	0723201-4	SHIELD-RH WING POSITION LIGHT 172S	08001	09568	01
- 17	0523565-21	STIFFENER-LH UPPER & RH LOWER FSO 0723629-4			NP
- 17A	0723629-4	STIFFENER-LH UPPER & RH LOWER			01
- 18	0523565-22	STIFFENER-LH LOWER & RH UPPER FSO 0723629-4			NP
- 18A	0723629-4	STIFFENER-LH LOWER & RH UPPER			01
- 19	0723200-5	TIP ASSY-LH 172	80001	81200	01
- 19A	0723200-5	TIP ASSY-LH 172S	08001	09568	01
- 20	0723200-6	TIP ASSY-RH 172	80001	81200	01
- 20A	0723200-6	TIP ASSY-RH 172S	08001	09568	01
21	MS25309-7512	LAMP-WING POSITION 172	80001	81200	01
- 21A	MS25309-7512	LAMP-WING POSITION 172S	08001	09568	01
- 21B	A-7512-24	LAMP ALT FOR MS25309-7512	V72914		01
- 21C	W1290-28	LAMP ALT FOR MS25309-7512	V10402		01
- 21D	34-0428020-65	LAMP ALT FOR MS25309-7512	V10402		01
22	C622001-0201	LIGHT-POSITION 172	80001	81200	01
- 22A	C622001-0201	LIGHT-POSITION 172S	08001	09568	01
23	W1283	GASKET 172	V10402	80001	81200
- 23A	W1283	GASKET 172S	V10402	08001	09568
- 23B	A1257A	GASKET ALT FOR W1283	V72914		01
- 23C	921-047-00	GASKET ALT FOR W1283	V0VDA9		01
- 23D	38-0230021-00	GASKET ALT FOR W1283	V10402		01

- ITEM NOT ILLUSTRATED

CESSNA AIRCRAFT COMPANY
MODEL 172 (SERIES 1996 AND ON)
 ILLUSTRATED PARTS CATALOG

B3875



LIGHTING - NAVIGATION WING AND TAIL
 FIGURE 02 (SHEET 2)

0510T1007
 A0518T2004
 B0518R1027

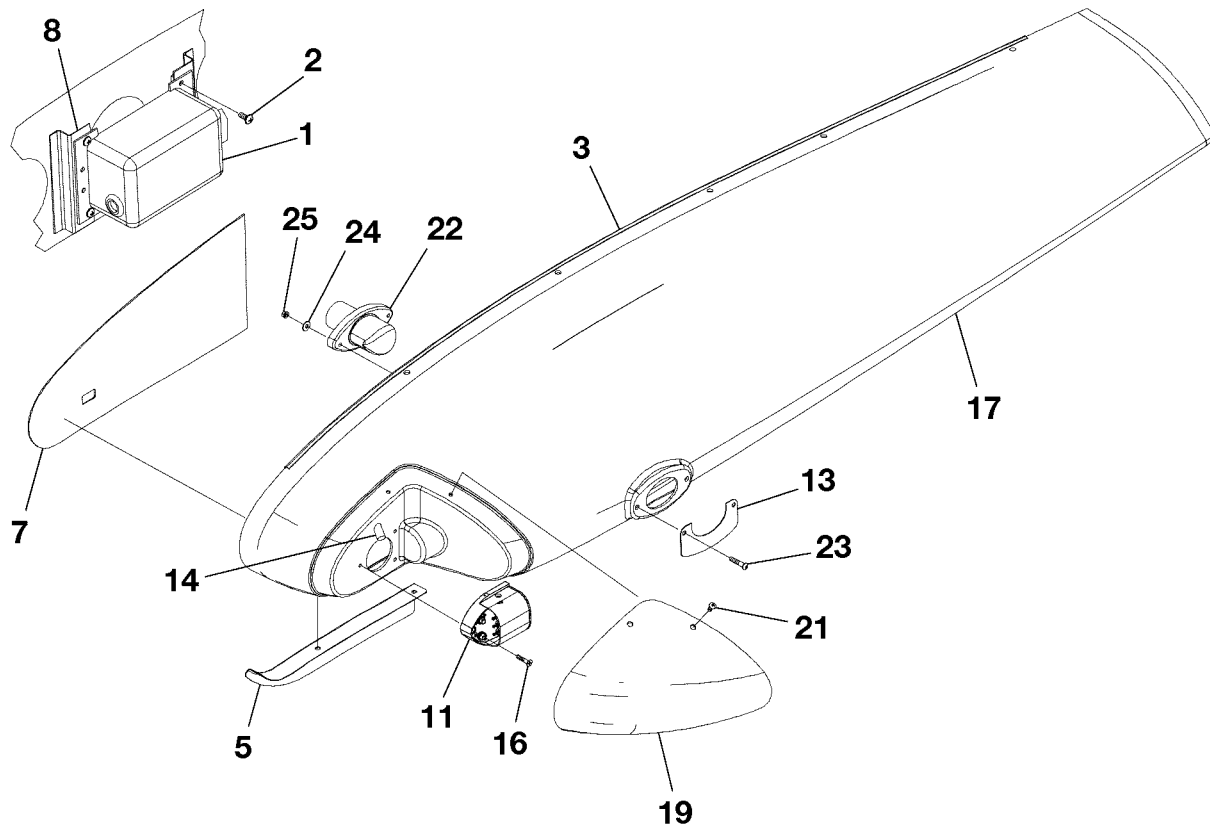
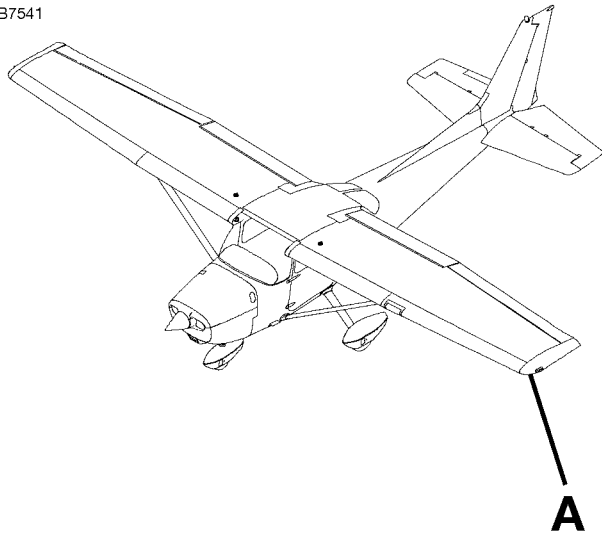
CESSNA AIRCRAFT COMPANY
MODEL 172 (SERIES 1996 AND ON)
ILLUSTRATED PARTS CATALOG

FIG ITEM	PART NUMBER	NOMENCLATURE	UNITS PER ASSY		
		1 2 3 4 5 6 7			
02					
75	MS35333-39	. . . WASHER, LOCK, FLAT-5 ATTACH LENS, 3 ATTACH POS LIGHT 172	81201	81496	08
- 75A	MS35333-39	. . . WASHER, LOCK, FLAT-5 ATTACH LENS, 3 ATTACH POS LIGHT 172S	09568	10655	08
76	NAS1329A06-120	. . . NUT-5 ATTACH LENS, 3 ATTACH POS LIGHT 172	81201	81496	08
- 76A	NAS1329A06-120	. . . NUT-5 ATTACH LENS, 3 ATTACH POS LIGHT 172S	09569	10655	08
- 77	NAS1149DN416J	. . . WASHER 172	81497	& ON	02
- 77A	NAS1149DN416J	. . . WASHER 172S	10656	& ON	02
- 78	C622001-0102	. . . LIGHT 172	80001	81496	01 R
- 78A	C622001-0102	. . . LIGHT 172S	08001	10655	01 R
- 79	01-0771011-04	. . . TAIL POSITION LIGHT-LED 172	81497	& ON	01 R
- 79A	01-0771011-04	. . . TAIL POSITION LIGHT-LED 172S	10656	& ON	01 R
		ATTACHING PARTS			
80	MS35206-215	. . . SCREW			02 R
81	S3231-5	. . . NUT			02 R
		—*—			
82	A2109-3	. . . GASKET-POSITION LIGHT V72914			01 R
83	A4513-1	. . . LENS-TAIL LIGHT V72914			01 R
84	C622001-0104	. . . RETAINER			01 R
85	MS35478-307	. . . LAMP-TAIL			01 R
86	921-204-00	. . . MOUNT V0VDA9			01 R
87		. . . RUDDER ASSY REFER TO 55-40-00 FIGURE 01			RF R
88	01-0770006-12	. . . POWER SUPPLY ASSY 172 V10402	80001	81200	01 R
- 88A	01-0770006-12	. . . POWER SUPPLY ASSY 172S V10402	08001	09568	01 R
- 88B	01-0770006-17	. . . POWER SUPPLY 172 V10402	81201	81496	01 R
- 88C	01-0770006-17	. . . POWER SUPPLY 172S V10402	09569	10655	01 R
		ATTACHING PARTS			
89	MS35207-262	. . . SCREW			04 R
		—*—			
90	1620075-3	. . . BRACKET ASSY			02 R
91	NAS686A3K	. . . NUTPLATE FSO MS21059L3K			NP R
- 91A	MS21059L3K	. . . NUTPLATE			04 R
92	01-0770082-12	. . . POSITION LIGHT-LH 172	81201	81496	01 R
- 92A	01-0770082-12	. . . POSITION LIGHT-LH 172S	09569	10655	01 R
- 93	01-0770082-13	. . . POSITION LIGHT-RH 172	81201	81496	01 R
- 93A	01-0770082-13	. . . POSITION LIGHT-RH 172S	09569	10655	01 R
		ATTACHING PARTS			
- 94	MS24693-S32	. . . SCREW 172	81201	81496	03 R
- 94A	MS24693-S32	. . . SCREW 172S	09569	10655	03 R
		—*—			
- 95	0723205-17	. . . FENCE-LH 172	81201	81496	01 R
- 95A	0723205-17	. . . FENCE-LH 172S	09569	10655	01 R
- 96	0723205-18	. . . FENCE-RH 172	81201	81496	01 R
- 96A	0723205-18	. . . FENCE-RH 172S	09569	10655	01 R
97	0723205-9	. . . LENS-LH WING POSITION LIGHT 172	81201	81359	01 R
- 97A	0723205-9	. . . LENS-LH WING POSITION LIGHT 172S	09569	10427	01 R
- 98	0723205-10	. . . LENS-RH WING POSITION LIGHT 172	81201	81359	01 R
- 98A	0723205-10	. . . LENS-RH WING POSITION LIGHT 172S	09569	10427	01 R
- 99	9910098-1	. . . WING TIP-LH 172	81360	81496	01 R
- 99A	9910098-1	. . . WING TIP-LH 172S	10428	10655	01 R
- 100	9910098-2	. . . WING TIP-RH 172	81360	81496	01 R
- 100A	9910098-2	. . . WING TIP-RH 172S	10428	10655	01 R
- 101	9910098-3	. . . LENS-LH			01 R
- 102	9910098-4	. . . LENS-RH			01 R
		ATTACHING PARTS			
103	MS51957-30	. . . SCREW 172	81201	81359	05 R
- 103A	MS51957-30	. . . SCREW 172S	09569	10427	05 R
- 103B	MS51957-28	. . . SCREW 172	81360	81496	05 R
- 103C	MS51957-28	. . . SCREW 172S	10428	10655	05 R
		—*—			
104	01-0770818-00	. . . STROBE LIGHT 172	81201	81496	01 R
- 104A	01-0770818-00	. . . STROBE LIGHT 172S	09569	10655	01 R
105	0723205-15	. . . SHIELD 172	81201	81496	01 R
- 105A	0723205-15	. . . SHIELD 172S	09569	10655	01 R
		ATTACHING PARTS			
106	MS51957-32	. . . SCREW 172	81201	81496	02 R
- 106A	MS51957-32	. . . SCREW 172S	09569	10655	02 R
107	NAS1149CN632R	. . . WASHER 172	81201	81496	02 R
- 107A	NAS1149CN632R	. . . WASHER 172S	09569	10655	02 R
108	MS21042L06	. . . NUT 172	81207	81496	02 R
- 108A	MS21042L06	. . . NUT 172S	09569	10655	02 R
		—*—			

- ITEM NOT ILLUSTRATED

CESSNA AIRCRAFT COMPANY
MODEL 172 (SERIES 1996 AND ON)
ILLUSTRATED PARTS CATALOG

B7541



DETAIL A

LIGHTING - NAVIGATION WING AND TAIL
FIGURE 03 (SHEET 1)

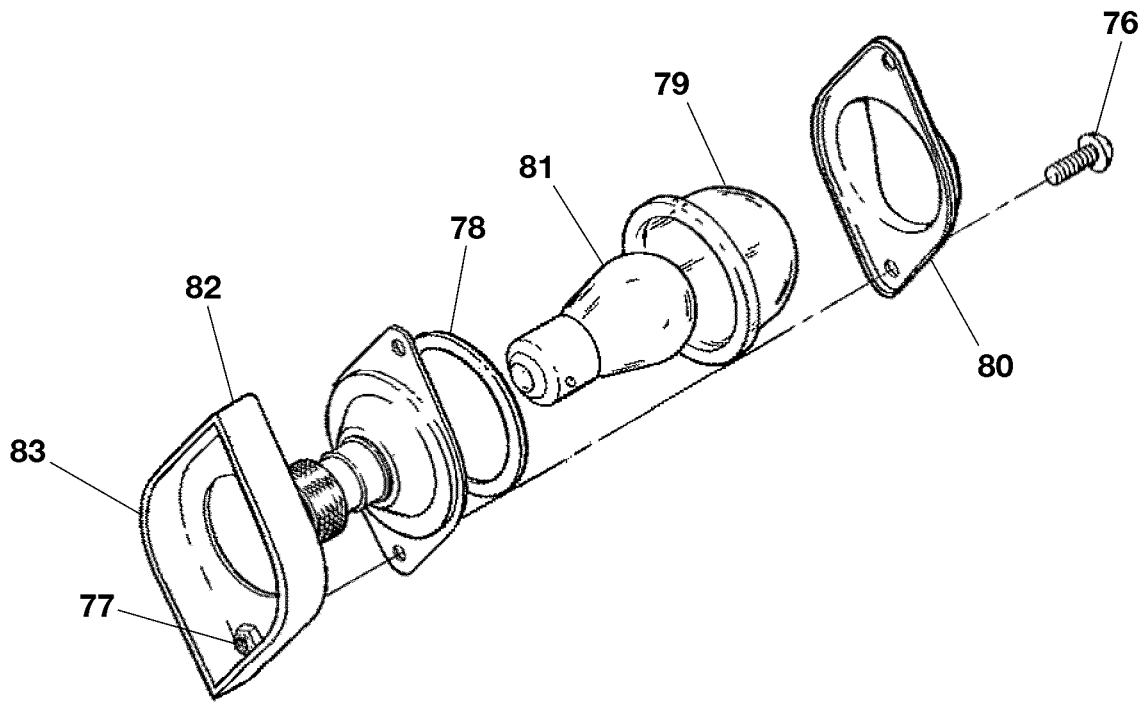
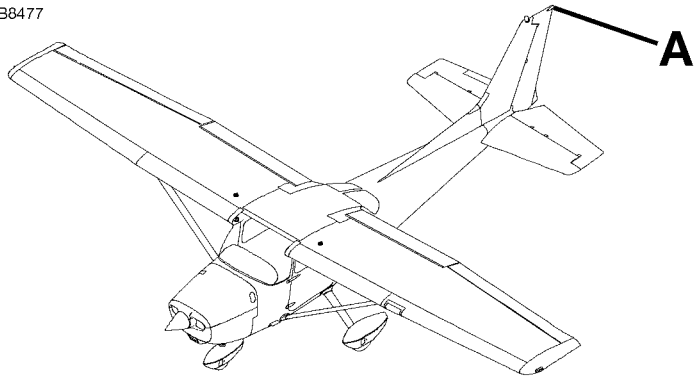
0510T1007
A0523T1002

CESSNA AIRCRAFT COMPANY
MODEL 172 (SERIES 1996 AND ON)
 ILLUSTRATED PARTS CATALOG

FIG ITEM	PART NUMBER	NOMENCLATURE	UNITS PER ASSY		
			1	2	3
03		LIGHTING - NAVIGATION WING AND TAIL			
-			81497	& ON	RF
			10656	& ON	
1	01-0770006-17	. POWER SUPPLY V10402			01
		. ATTACHING PARTS			
2	MS35207-262	. SCREW			04
		—*—			
3	0723629-4	. STIFFENER-UPPER 172	81497	81572	01 R
- 3A	0723629-4	. STIFFENER-UPPER 172S	10656	11071	01 R
- 3B	0723631-1	. STIFFENER-UPPER 172	81573	& ON	01 R
- 3C	0723631-1	. STIFFENER-UPPER 172S	11072	& ON	01 R
- 4	0723629-3	. STIFFENER-LOWER 172	81497	81572	01 R
- 4A	0723629-3	. STIFFENER-LOWER 172S	10656	11071	01 R
- 4B	0723631-2	. STIFFENER-LOWER 172	81573	& ON	01 R
- 4C	0723631-2	. STIFFENER-LOWER 172S	11072	& ON	01 R
5	0723630-1	. FENCE-LH			01
- 6	0723630-2	. FENCE-RH			01
7	0723630-3	. CLOSEOUT			01
8	1620075-3	. BRACKET ASSY			02
- 9	0723206-3	. WING TIP ASSY-LH			01
- 10	0723206-4	. WING TIP ASSY-RH			01
11	01-0771015-08	. POSITION LIGHT-RED V10402			01
- 12	01-0771015-07	. POSITION LIGHT-GREEN V10402			01 R
13	0723205-15	. SHIELD			01 R
14	0723205-23	. DETECTOR-LH			01 R
- 15	0723205-24	. DETECTOR-RH			01 R
		. ATTACHING PARTS			
16	MS24693-S29	. SCREW			03 R
		—*—			
17	9910098-1	. WING TIP-LH			01 R
- 18	9910098-2	. WING TIP-RH			01 R
19	9910098-3	. LENS-LH			01 R
- 20	9910098-4	. LENS-RH			01 R
		. ATTACHING PARTS			
21	MS51957-28	. SCREW			05 R
		—*—			
22	01-0770818-00	. STROBE LIGHT V10402			01 R
		. ATTACHING PARTS			
23	MS51957-32	. SCREW			02 R
24	NAS1149CN632R	. WASHER			02 R
25	MS21042L06	. NUT			02 R
		—*—			

CESSNA AIRCRAFT COMPANY
MODEL 172 (SERIES 1996 AND ON)
ILLUSTRATED PARTS CATALOG

B8477



DETAIL A

0510T1007
A0518R1027

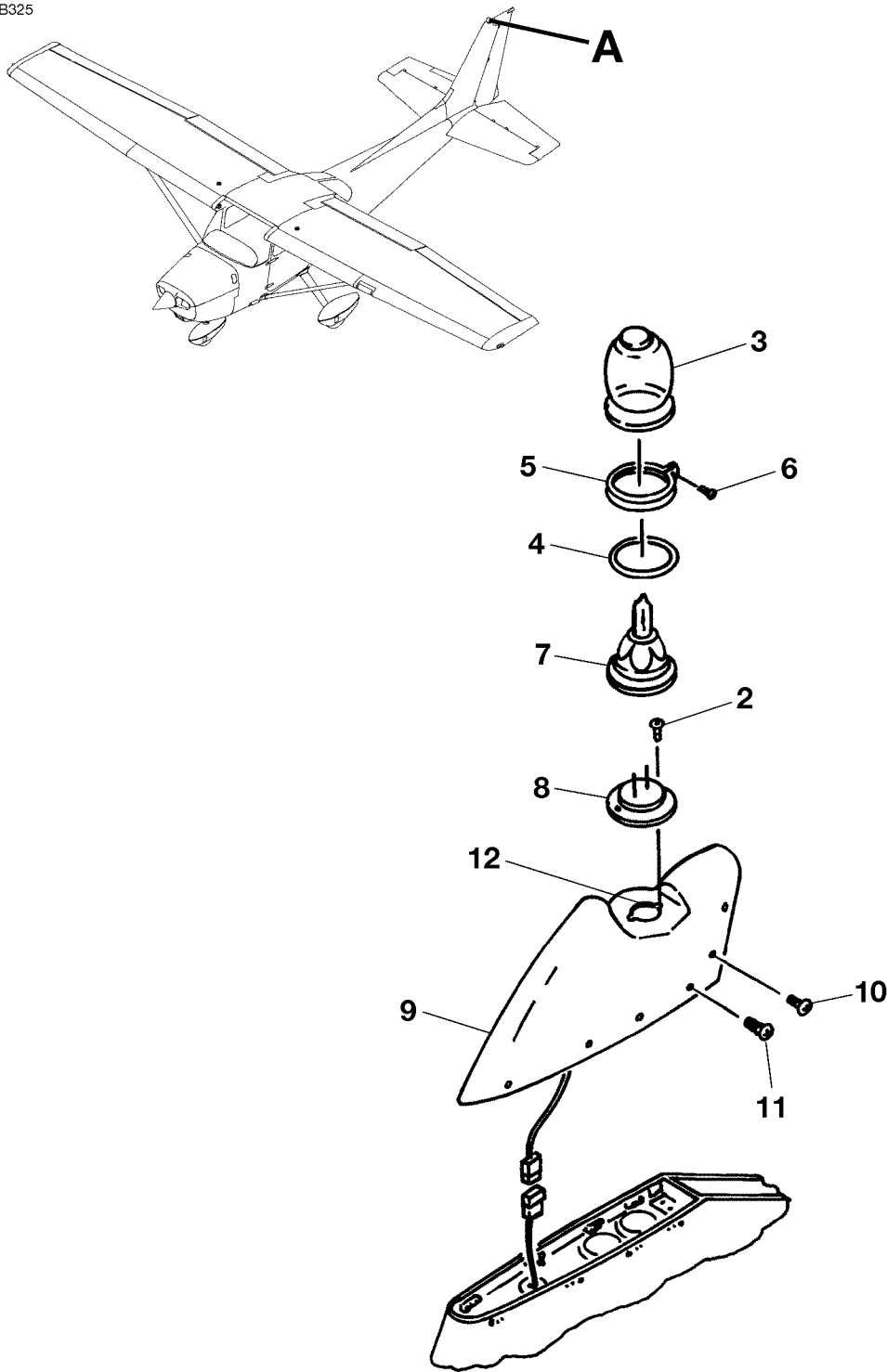
LIGHTING - NAVIGATION WING AND TAIL
FIGURE 03 (SHEET 2)

CESSNA AIRCRAFT COMPANY
MODEL 172 (SERIES 1996 AND ON)
 ILLUSTRATED PARTS CATALOG

FIG ITEM	PART NUMBER	NOMENCLATURE	UNITS PER ASSY			
			1	2	3	4
03						
- 75	01-0771011-04	. TAIL POSITION LIGHT-LED 172 FV005 FSO 01-0771554-03 V10402	81497	81622	NP	R
- 75A	01-0771011-04	. TAIL POSITION LIGHT-LED 172S FV005 FSO 01-0771554-03 V10402	10656	11508	NP	R
- 75B	01-0771554-03	. TAIL POSITION LIGHT-LED 172 FV007 V10402	81623	& ON	01	R
- 75C	01-0771554-03	. TAIL POSITION LIGHT-LED 172S FV007 V10402	11509	& ON	01	R
		ATTACHING PARTS				
76	MS35206-215	. SCREW			02	R
77	S3231-5	. NUT			02	R
		—*—				
78	A2109-3	. . GASKET-POSITION LIGHT V72914			01	R
79	A4513-1	. . LENS-TAIL LIGHT V72914			01	R
80	C622001-0104	. . RETAINER			01	R
81	MS35478-307	. LAMP-TAIL			01	R
82	921-204-00	. BRACKET-MOUNTING V0VDA9			01	R
83		. RUDDER ASSY REFER TO 55-40-00 FIGURE 01			RF	R

CESSNA AIRCRAFT COMPANY
MODEL 172 (SERIES 1996 AND ON)
ILLUSTRATED PARTS CATALOG

B325



DETAIL A

AIRPLANES 17280001 THRU 17281496 AND
AIRPLANES 172S08001 THRU 172S10655

FLASHING BEACON LIGHT INSTALLATION
FIGURE 01 (SHEET 1)

0510T1007
A0518R1010

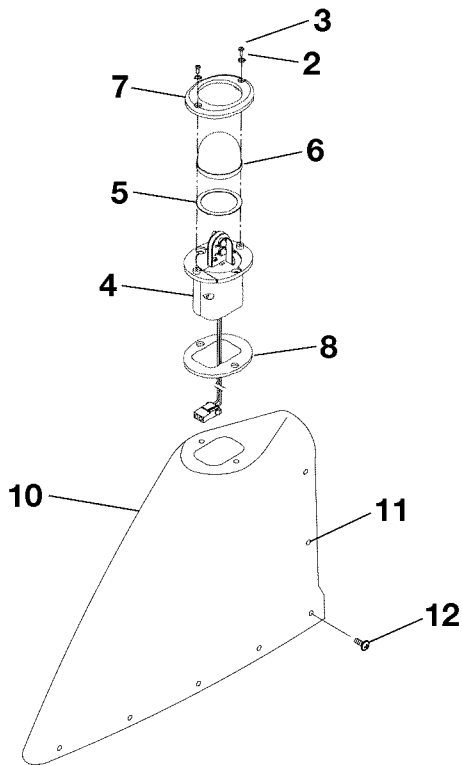
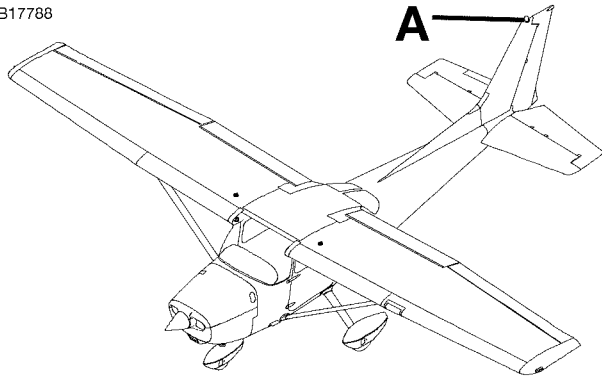
CESSNA AIRCRAFT COMPANY
MODEL 172 (SERIES 1996 AND ON)
 ILLUSTRATED PARTS CATALOG

FIG ITEM	PART NUMBER	NOMENCLATURE	UNITS PER ASSY		
			1	2	3
01					
-		FLASHING BEACON LIGHT INSTALLATION		80001 81496	RF R
				08001 10655	
- 1	01-0770509-07	. LIGHT ASSY-FLASHING BEACON V10402			01 R
		ATTACHING PARTS			
2	MS35206-245	. SCREW			02 R
3	68-2170504-30	. . LENS ASSY-WHITE V10402			01 R
- 3A	68-2170504-50	. . LENS ASSY-RED V10402			01 R
- 3B	68-2170504-60	. . LENS ASSY-RED & WHITE V10402			01 R
4	38-0230039-00	. . GASKET V10402			01 R
5	01-0450685-00	. . CLAMP RING ASSY V10402			01 R
		ATTACHING PARTS			
6	MS51957-31	. . SCREW			01 R
		—*—			
7	02-0350433-01	. . LAMP ASSY 28 VOLT V10402			01 R
8	02-0250627-01	. . BASE ASSY-FLASHER V10402			01 R
9	0531033-10	. CAP ASSY-FIN			01 R
		ATTACHING PARTS			
10	S1021Z6-4	. SCREW			08 R
11	S1021Z6-6	. SCREW			04 R
		—*—			
12	0431017-2	. . PLATE ASSY-MOUNTING			01 R
- 13	MS21047-08	. . . NUTPLATE			02 R
- 14	0570554-4	. WBA FLASHING BEACON REFER TO WIRING DIAGRAM MANUAL			01 R
- 15		. VERTICAL STABILIZER REFER TO 55-30-00 FIGURE 01			RF R

- ITEM NOT ILLUSTRATED

CESSNA AIRCRAFT COMPANY
MODEL 172 (SERIES 1996 AND ON)
ILLUSTRATED PARTS CATALOG

B17788



DETAIL A

AIRPLANES 17281497 AND ON
AIRPLANES 172S10656 AND ON

LED GROUND RECOGNITION LIGHT
FIGURE 02 (SHEET 1)

0510T1007
A0518T1158

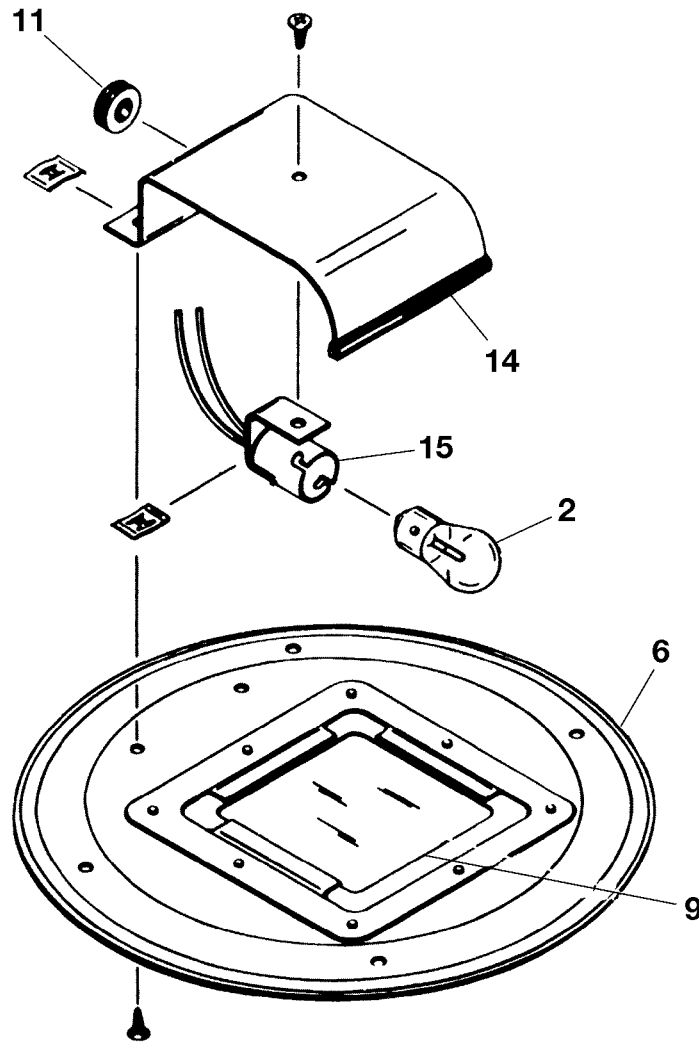
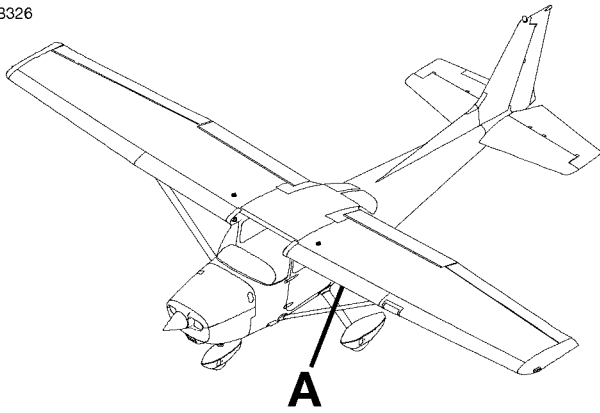
CESSNA AIRCRAFT COMPANY
MODEL 172 (SERIES 1996 AND ON)
 ILLUSTRATED PARTS CATALOG

FIG ITEM	PART NUMBER	NOMENCLATURE	UNITS		
			PER	ASSY	
02					
-		LED GROUND RECOGNITION LIGHT	81497	& ON	RF
			10656	& ON	
- 1	01-0771050-00	. GROUND RECOGNITION LIGHT 172 FVOO4 FSO 01-0771560-00 V10402	81497	81622	NP
- 1A	01-0771050-00	. GROUND RECOGNITION LIGHT 172S FVOO4 FSO 01-0771560-00 V10402	10656	11459	NP R
- 1B	01-0771560-00	. GROUND RECOGNITION LIGHT 172 FV006 V10402	81623	& ON	01 R
- 1C	01-0771560-00	. GROUND RECOGNITION LIGHT 172S FV006 V10402	11460	& ON	01 R
		ATTACHING PARTS			
2	16-1001620-35	. . WASHER #10 FLAT V10402			01
3	MS51957-14	. . SCREW V10402			02
		—+—			
4	01-0290323-00	. . LED GROUND RECOGNITION LIGHT 28V V10402			01
5	38-0231061-00	. . LENS GASKET V10402			02
6	68-3970991-30	. . LENS V10402			01
7	19-171053-100	. . RETAINER V10402			01
8	38-0250762-00	. . RECOGNITION LIGHT GASKET V10402			01
- 9	MS24693-S52	. SCREW			02
10	0531033-15	. FIN CAP ASSY 172 FSO 9910100-16	81497	81567	NP
- 10A	0531033-15	. FIN CAP ASSY 172S FSO 9910100-16	10656	11055	NP
- 10B	9910100-16	. FIN CAP 172	81568	& ON	01
- 10C	9910100-16	. FIN CAP 172S	11056	& ON	01
		ATTACHING PARTS			
11	S1021Z6-4	. SCREW			08
12	S1021Z6-6	. SCREW			04
		—+—			
- 13	1231064-8	. . DOUBLER ASSY			01
- 14	0531033-14	. . FIN CAP			01
- 15	0570554-4	. FLASHING BEACON-WBA REFER TO WIRING DIAGRAM MANUAL			01
- 16		. TAIL LIGHT REFER TO REFER TO 33-40-00 FIGURE 02			RF

- ITEM NOT ILLUSTRATED

CESSNA AIRCRAFT COMPANY
MODEL 172 (SERIES 1996 AND ON)
ILLUSTRATED PARTS CATALOG

B326



DETAIL A

COURTESY LIGHT INSTALLATION
FIGURE 01 (SHEET 1)

0510T1007
A0528R1001

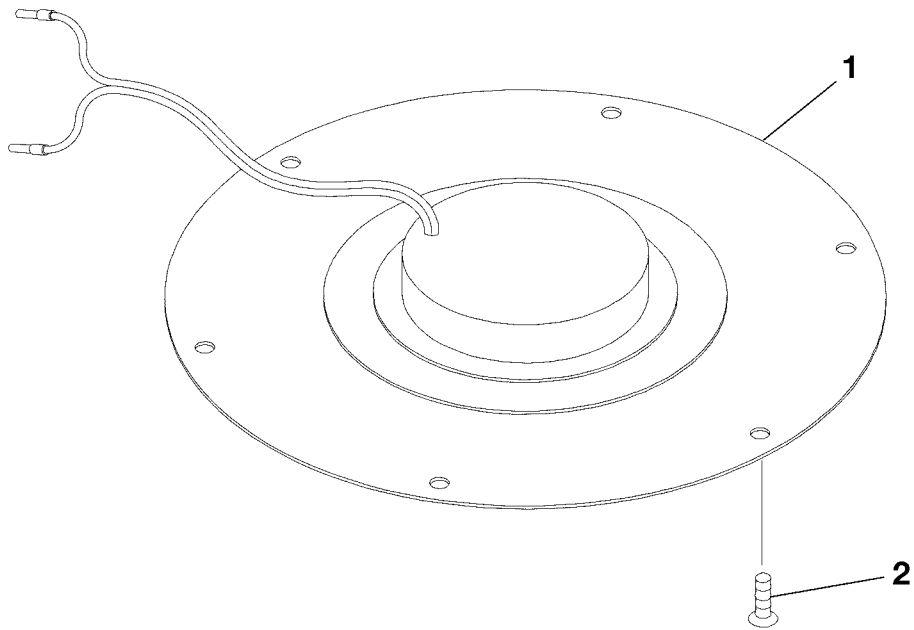
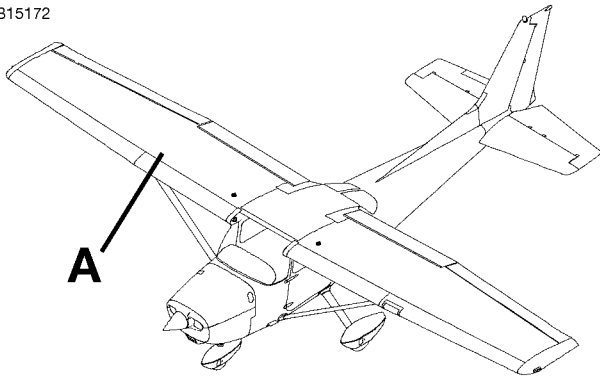
CESSNA AIRCRAFT COMPANY
MODEL 172 (SERIES 1996 AND ON)
 ILLUSTRATED PARTS CATALOG

FIG ITEM	PART NUMBER	NOMENCLATURE	UNITS PER ASSY		
			1	2	3
01					
-		COURTESY LIGHT INSTALLATION			
			80001	81563	RF R
			08001	11038	
- 1	0521101-7	. LIGHT ASSY			01 R
- 2	MS15584-15	. . BULB-COURTESY LIGHT 24 VOLT FR002			01 R
- 2A	MS15584-15	. . BULB-COURTESY LIGHT 24 VOLT FL002			01 R
- 3	S1021Z6-8	. . SCREW			02 R
- 4	S1636-2	. . SOCKET			02 R
- 5	S3230-2	. . NUT			02 R
- 6	0521101-2	. . PLATE ASSY-COURTESY LIGHT			02 R
- 7	0521101-3	. . PLATE			01 R
- 8	0521101-4	. . DOUBLER			01 R
- 9	0521101-6	. . LENS-COURTESY LIGHT			01 R
- 10	0700616-1	. . SHIELD ASSY-COURTESY LIGHT			01 R
- 11	MS35489-134	. . GROMMET			01 R
- 12	NAS446-2-3	. . NUT			01 R
- 13	S1021Z6-6	. . SCREW			01 R
- 14	S1055-1	. . CHANNEL BKI 2.25 IN LG			01 R
- 15	0513208-1	. . SOCKET ASSEMBLY			01 R
- 16	0700616-2	. . SHIELD			01 R
- 17		. WBA COURTESY LIGHT REFER TO WIRING DIAGRAM MANUAL			RF R
- 18		. WING ASSEMBLY REFER TO 57-00-00 FIGURE 01			RF R

- ITEM NOT ILLUSTRATED

CESSNA AIRCRAFT COMPANY
MODEL 172 (SERIES 1996 AND ON)
ILLUSTRATED PARTS CATALOG

B15172



DETAIL A

COURTESY LIGHT INSTALLATION-LED
FIGURE 02 (SHEET 1)

0510T1007
A0521T1003

CESSNA AIRCRAFT COMPANY
MODEL 172 (SERIES 1996 AND ON)
 ILLUSTRATED PARTS CATALOG

FIG ITEM	PART NUMBER	NOMENCLATURE	UNITS PER ASSY		
			1	2	3
02					
-		COURTESY LIGHT INSTALLATION-LED			
			81564	& ON	RF R
			11039	& ON	
1	CL13501-1	. COURTESY LIGHT-LED V1XE65			01 R
		. ATTACHING PARTS			
2	S1021Z8-6	. SCREW			04 R
		—*—			

- ITEM NOT ILLUSTRATED

CHAPTER

34

NAVIGATION

CESSNA AIRCRAFT COMPANY
MODEL 172 (SERIES 1996 AND ON)
 ILLUSTRATED PARTS CATALOG

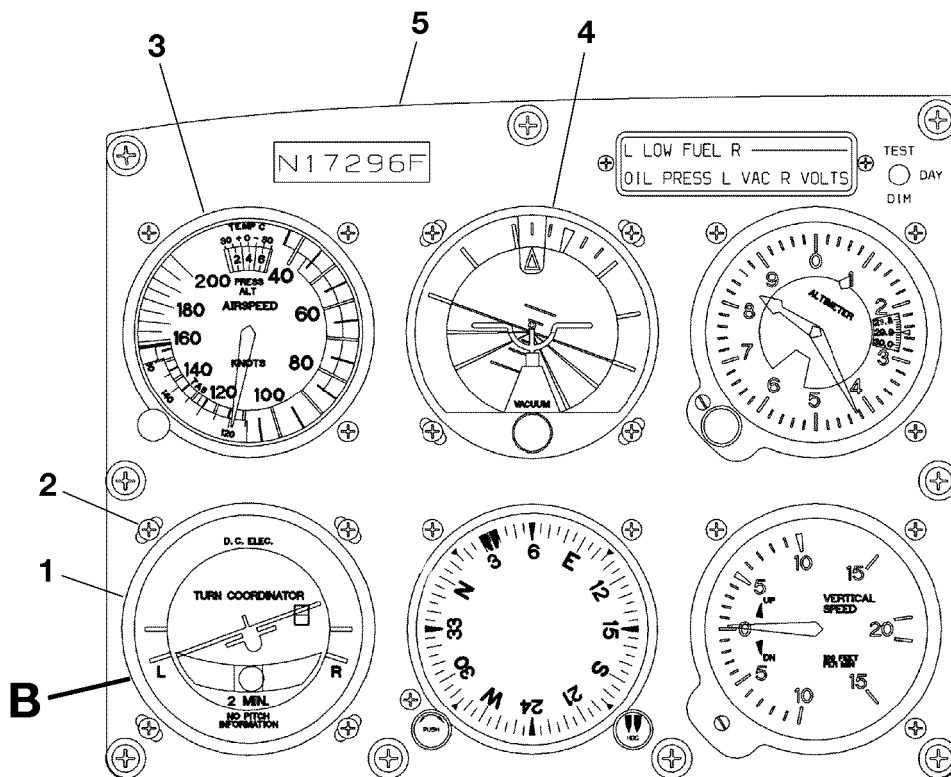
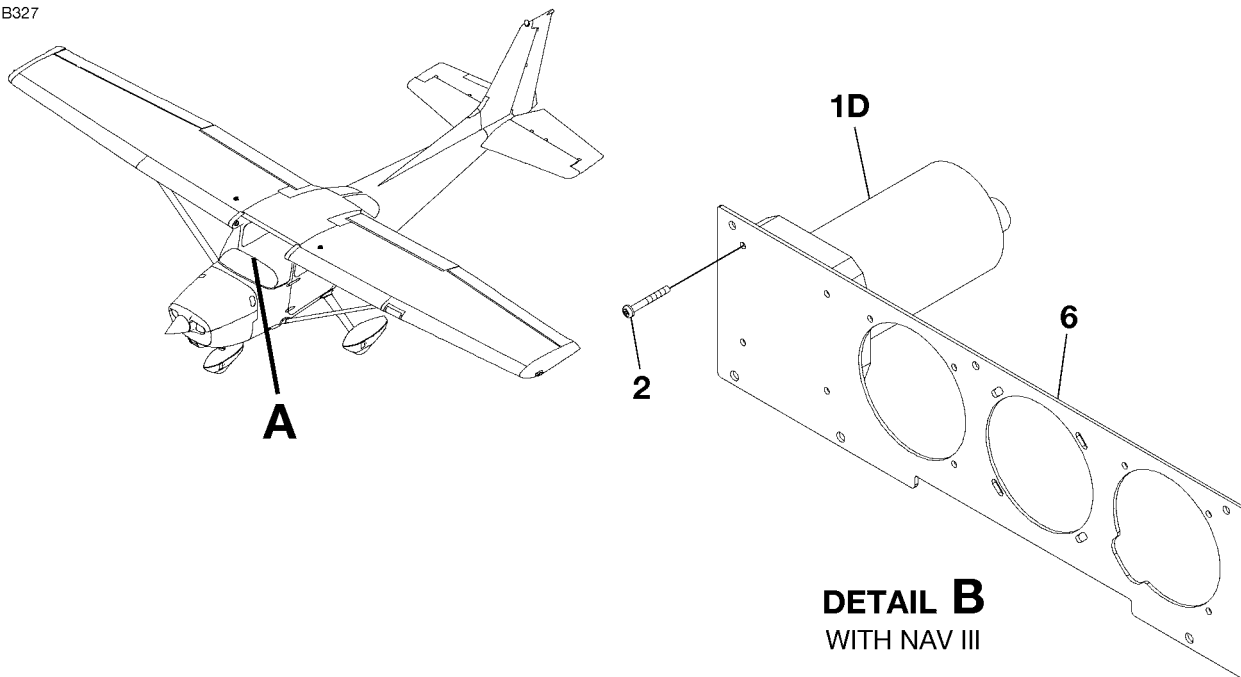
CHAPTER SECTION SUBJECT		NUMBER OF PAGES	DATE
34 - TITLE			
34 - LIST OF EFFECTIVE PAGES			
34 - RECORD OF TEMPORARY REVISIONS			
34 - TABLE OF CONTENTS			
34-10-00	Figure 01	2	Jan 1/2007
34-11-00	Figure 01	4	Jan 1/2012
34-11-00	Figure 02	2	Jul 1/2010
34-13-00	Figure 01	2	Jul 1/2015
34-21-00	Figure 01	2	Feb 15/2002
34-23-00	Figure 01	2	Jul 1/2010
34-23-00	Figure 02	2	Dec 1/2007
34-30-01	Figure 01	2	Jul 1/2013
34-40-00	Figure 01	2	Jul 1/2013
34-40-01	Figure 01	2	Jul 1/2013
34-50-00	Figure 01	4	Dec 1/2007
34-50-01	Figure 01	2	Jan 1/2009
34-50-01	Figure 02	2	Jan 1/2009
34-50-02	Figure 01	2	Jan 1/2009
34-50-02	Figure 01A	2	Jul 1/2014
34-50-03	Figure 01	2	Jul 1/2013
34-51-00	Figure 01	4	Jan 1/2012
34-52-00	Figure 01	2	Jan 1/2009
34-53-00	Figure 01	2	Jan 1/2009
34-53-00	Figure 02	2	Jan 1/2009
34-53-00	Figure 03	2	Jan 1/2009
34-53-00	Figure 04	2	Jan 1/2009
34-60-00	Figure 01	2	Jul 1/2016
34-60-00	Figure 02	2	Jan 1/2012
34-60-01	Figure 01	2	Jan 1/2009

CESSNA AIRCRAFT COMPANY
MODEL 172 (SERIES 1996 AND ON)
 ILLUSTRATED PARTS CATALOG

<u>SUBJECT</u>	<u>CHAPTER</u>	<u>FIGURE</u>	<u>EFFECTIVITY</u>	
	<u>SECTION</u>		<u>START</u>	<u>END</u>
FLIGHT ENVIRONMENT INSTRUMENTS	34-10-00	01		
PITOT AND STATIC SYSTEM	34-11-00	01		
PITOT AND STATIC SYSTEM-NAV III	34-11-00	02	81241 09810	& ON & ON
AFT AVIONICS EQUIPMENT - NAV III	34-13-00	01	81241 09810	& ON & ON
COMPASS INSTALLATION	34-21-00	01		
ATTITUDE HEADING REFERENCE SYSTEM (AHRS) INSTALLATION-NAV III	34-23-00	01	81241 09810	& ON & ON
AIR DATA INSTALLATION-NAV III	34-23-00	02	81241 09810	& ON & ON
ENHANCED VISION SYSTEM	34-30-01	01		
TAS EQUIPMENT INSTALLATION-172	34-40-00	01		
TAS ANTENNA INSTALLATION - 172	34-40-01	01	81617 11191	& ON & ON
VHF NAVIGATION SYSTEM	34-50-00	01		
AUTOMATIC DIRECTION FINDING (ADF) SYSTEM-NAV I & NAV II	34-50-01	01		
AUTOMATIC DIRECTION FINDING (ADF) NAVIGATION SYSTEM	34-50-01	02		
TRANSPONDER SYSTEM	34-50-02	01		
TRANSPONDER SYSTEM - NAV III	34-50-02	01A	81241 09810	& ON & ON
GARMIN GDL-90 INSTALLATION	34-50-03	01	81241 09810	& ON & ON
GLOBAL POSITIONING SYSTEM (GPS) INSTALLATION	34-51-00	01		
MULTIFUNCTION DISPLAY (MFD) UNIT INSTALLATION	34-52-00	01	80984 08704	& ON & ON
HORIZONTAL SITUATION INDICATOR (HSI) INSTALLATION	34-53-00	01		
HORIZONTAL SITUATION INDICATOR (HSI)-NAV CONVERTER AND DIRECTIONAL GYRO	34-53-00	02		
HORIZONTAL SITUATION INDICATOR (HSI)-FLUX DETECTOR	34-53-00	03		
FLIGHT INFORMATION SERVICES (FIS) RECEIVER AND ANTENNA INSTALLATION	34-53-00	04	81201 09569	& ON & ON
DISPLAY UNIT INSTALLATION - NAV III	34-60-00	01		
DISTANCE MEASURING EQUIPMENT (DME) INSTALLATION	34-60-00	02	81272 10102	& ON & ON
ENGINE INTERFACE INSTALLATION	34-60-01	01	81241 09810	& ON & ON

CESSNA AIRCRAFT COMPANY
MODEL 172 (SERIES 1996 AND ON)
 ILLUSTRATED PARTS CATALOG

B327



DETAIL A

FLIGHT ENVIRONMENT INSTRUMENTS
 FIGURE 01 (SHEET 1)

0510T1007
 A0585T1040
 B0518T1133

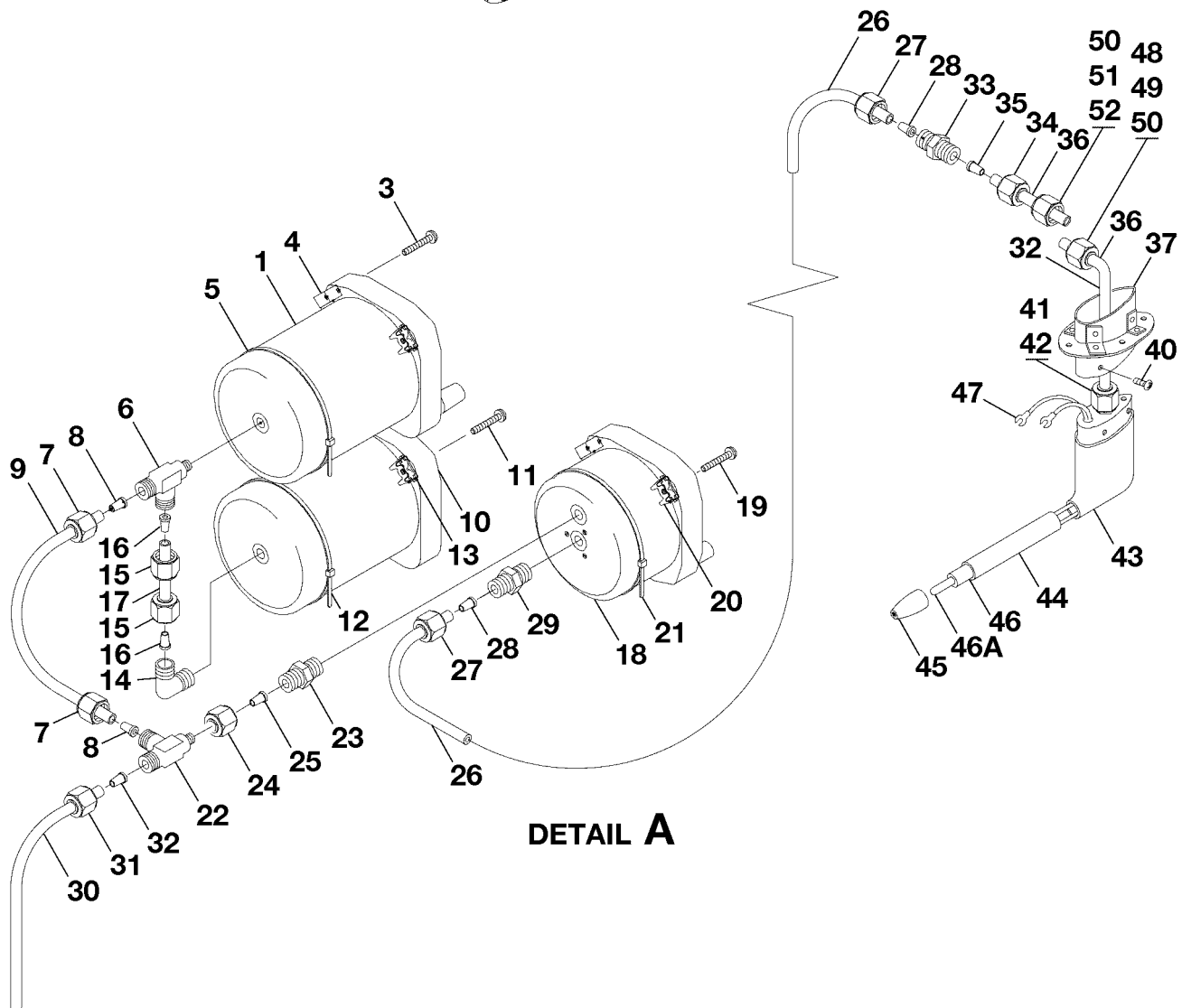
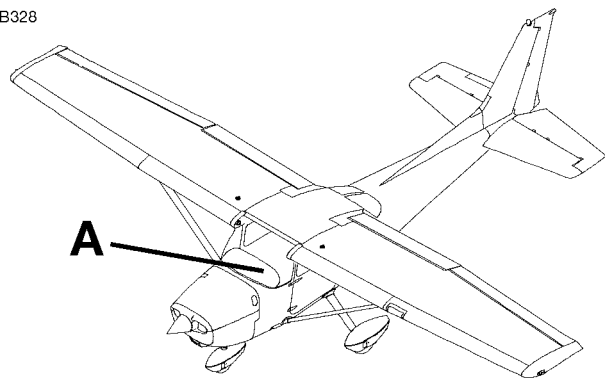
CESSNA AIRCRAFT COMPANY
MODEL 172 (SERIES 1996 AND ON)
 ILLUSTRATED PARTS CATALOG

FIG ITEM	PART NUMBER	NOMENCLATURE	UNITS	
			PER	ASSY
01		FLIGHT ENVIRONMENT INSTRUMENTS		
-				
1	S3291-1	. INDICATOR-TURN COORDINATOR/TURN AND BANK 172	80001	81059 01
- 1A	S3291-1	. INDICATOR-TURN COORDINATOR/TURN AND BANK 172S	08001	08874 01
- 1B	1394T100-10RA	. TURN COORDINATOR 172 FSO 1394T100-10RB	81060	81347 NP R
- 1C	1394T100-10RA	. TURN COORDINATOR 172S FSO 1394T100-10RB	08875	10326 NP R
1D	1394T100-10RA	. TURN COORDINATOR NAV III 172S FSO 1394T100-10RB	81241	81347 NP R
- 1E	1394T100-10RA	. TURN COORDINATOR NAV III 172S FSO 1394T100-10RB	09810	10326 NP R
- 1F	1394T100-10RB	. TURN COORDINATOR 172	81348	& ON 01 R
- 1G	1394T100-10RB	. TURN COORDINATOR 172S	10327	& ON 01 R
- 1H		. WBA TURN COORDINATOR WITHOUT ADF REFER TO WDM		RF
- 1J	0570542-1	. WBA FLIGHT INSTRUMENTS REFER TO WDM 172	80001	80983 01
- 1K	0570542-1	. WBA FLIGHT INSTRUMENTS REFER TO WDM 172S	08001	08703 01
2	S3294-6-14G1	. SCREW FSO S3484-6-14G1		NP
- 2A	S3484-6-14G1	. SCREW		04
3		. AIRSPEED INDICATOR REFER TO 34-11-00 FIGURE 01		RF
4		. ATTITUDE INDICATOR-GYRO REFER TO 37-10-00 FIGURE 04		RF
5		. INSTRUMENT PANEL REFER TO 31-00-00 FIGURE 01		RF
6		. NAV III INSTRUMENT PANEL REFER TO 31-00-00 FIGURE 01A		RF

- ITEM NOT ILLUSTRATED

CESSNA AIRCRAFT COMPANY
MODEL 172 (SERIES 1996 AND ON)
ILLUSTRATED PARTS CATALOG

B328



DETAIL A

**PITOT AND STATIC SYSTEM
FIGURE 01 (SHEET 1)**

0510T1007
A0514T1023

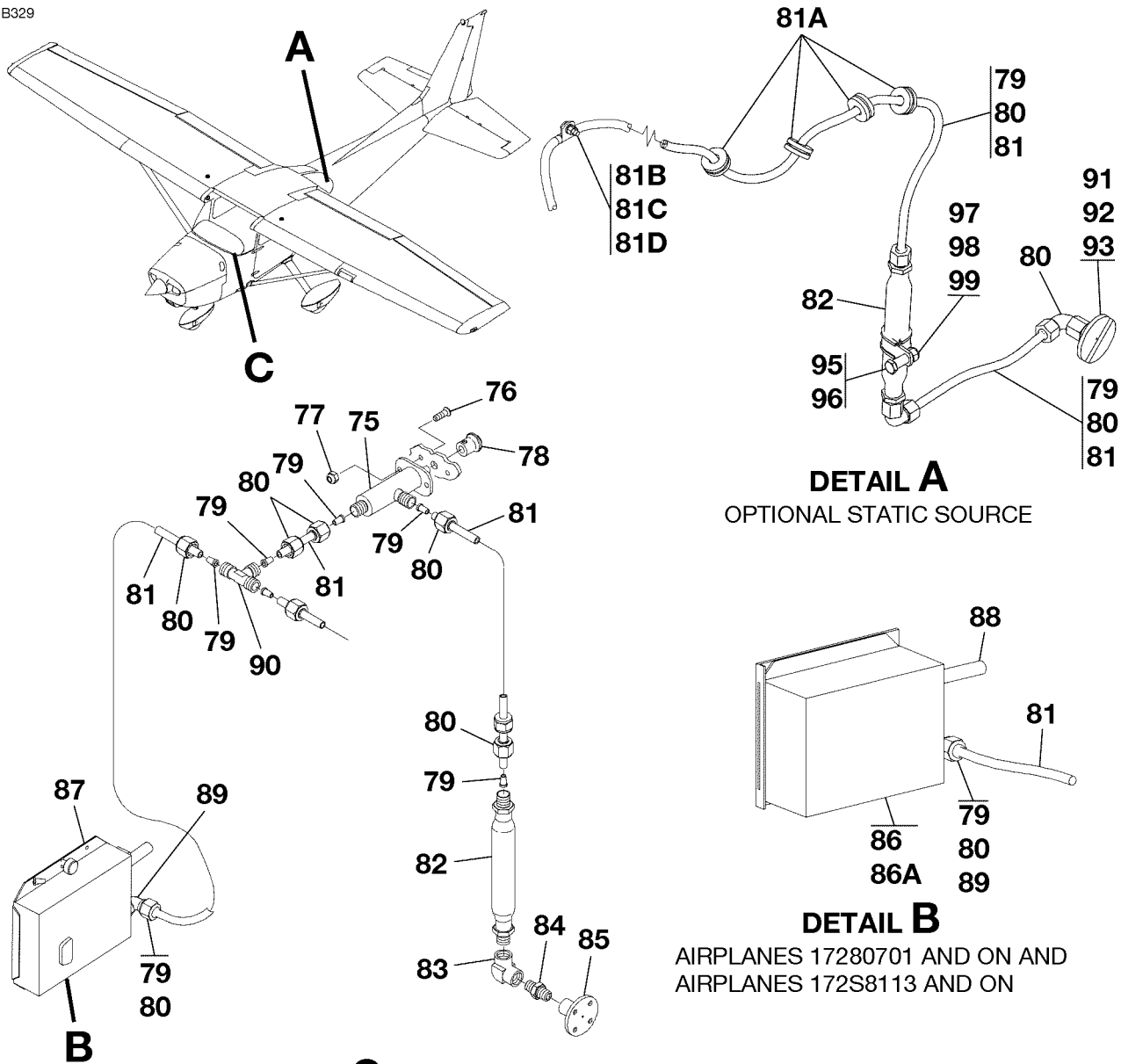
CESSNA AIRCRAFT COMPANY
MODEL 172 (SERIES 1996 AND ON)
ILLUSTRATED PARTS CATALOG

FIG ITEM	PART NUMBER	NOMENCLATURE	UNITS PER ASSY	
		1 2 3 4 5 6 7		
01		PITOT AND STATIC SYSTEM		RF
- 1	S3328-1	. INDICATOR-ALTIMETER E1010 FSO S3827-1 172	80001	81117 NP
- 1A	S3328-1	. INDICATOR-ALTIMETER E1010 FSO S3827-1 172S	08001	09121 NP
- 1B	S3827-1	. INDICATOR-ALTIMETER E1010 172	81118	& ON 01
- 1C	S3827-1	. INDICATOR-ALTIMETER E1010 172S	09122	& ON 01
- 2	S3371-1	. INDICATOR-ALTIMETER E1010 OPTIONAL 172	80130	81117 01
- 2A	S3371-1	. INDICATOR-ALTIMETER E1010 OPTIONAL 172S	08001	09121 01
		ATTACHING PARTS		
3	S3484-6-14G1	. SCREW		03
		—*—		
4	MS33737-13	. . NUT		03
5	MS3367-2-9	. . TIE STRAP		01
6	S1139-1	. TEE		01
7	S1130-1	. NUT		02
8	S1131-1	. INSERT		01
9	S1071-1	. TUBE-BKI		01
10	S3327-1	. INDICATOR-VERTICAL SPEED EI006		01
		ATTACHING PARTS		
11	S3484-6-14G1	. SCREW REPLACES S3294-6-14G1		03
		—*—		
12	MS3367-2-9	. . TIE STRAP		01
13	MS33737-13	. . NUT		03
14	S1135-1	. ELBOW		01
15	S1130-1	. NUT		01
16	S1131-1	. INSERT		01
17	S1071-1	. TUBE-BKI		01
18	S3325-1	. AIRSPEED INDICATOR EI008 172		01
- 18A	S3325-6	. AIRSPEED INDICATOR EI008 172S & 172 AIRPLANES INCORPORATING MK172-72-01		01
		ATTACHING PARTS		
19	S3484-6-14G1	. SCREW REPLACES S3294-6-14G1		03
		—*—		
20	MS33737-13	. . NUT		03
21	MS3367-2-9	. . TIE STRAP		01
22	S1139-1	. TEE		01
23	S1133-1	. CONNECTOR		01
24	S1130-1	. NUT		02
25	S1131-1	. INSERT		02
26	S1071-1	. TUBE-PITOT 55.0 IN LG BKI		01
27	S1130-1	. NUT		02
28	S1131-1	. INSERT		02
29	S1133-1	. CONNECTOR		01
30	S1071-1	. TUBE-STATIC 16.0 IN LG BKI		01
31	S1130-1	. NUT		02
32	S1131-1	. INSERT		02
33	S1132-1	. UNION		01
34	S1130-1	. NUT		01
35	S1131-1	. INSERT		01
36	S1071-1	. TUBE-PITOT-BKI		01
37	0721101-8	. CONNECTOR ASSY		01
- 38	S1021Z8-8	. SCREW		04
- 39	0721105-12	. PITOT TUBE ASSY-HEATED		01
40	MS24693-S224	. SCREW		04
41	S1133-2	. . CONNECTOR		01
42	S1130-1	. . NUT		01
43	0721105-7	. . PITOT BODY		01
44	0721105-3	. . TUBE		01
45	0721105-4	. . NOSE FITTING		01
46	0721105-9	. . HEATER ASSY		01
46A	0721105-8	. . STEM		01 R
47	H990000	. SPIRAL WRAP-HEAT SHIELD AIRPLANES INCORPORATING MK172-34-01		01
48	S1021Z8-8	. SCREW 172	80952	& ON 01
- 48A	S1021Z8-8	. SCREW 172S	08582	& ON 01
49	S4213-16	. CLIP NUT 172	80952	& ON 01
- 49A	S4213-16	. CLIP NUT 172S	08582	& ON 01
50	AN742D4	. CLAMP 172	80952	& ON 02
- 50A	AN742D4	. CLAMP 172S	08582	& ON 02
51	AN515-6R8	. SCREW		01
52	MS21044N06	. NUT		01
- 53	1340A	. PITOT COVER 172 FSO 1648	V0VMG4 81336	81591 NP R
- 53A	1340A	. PITOT COVER 172S FSO 1648	V0VMG4 10224	11114 NP R
- 53B	1648	. PITOT TUBE BOOTIE 172	V0VMG4 81592	& ON 01 R
- 53C	1648	. PITOT TUBE BOOTIE 172S	V0VMG4 11115	& ON 01 R

- ITEM NOT ILLUSTRATED

CESSNA AIRCRAFT COMPANY
MODEL 172 (SERIES 1996 AND ON)
 ILLUSTRATED PARTS CATALOG

B329



DETAIL A
 OPTIONAL STATIC SOURCE

DETAIL B
 AIRPLANES 17280701 AND ON AND
 AIRPLANES 172S8113 AND ON

DETAIL C

DETAIL B

AIRPLANES 17280001 THRU 17280700 AND
 AIRPLANES 172S8001 THRU 172S8114

PITOT AND STATIC SYSTEM
 FIGURE 01 (SHEET 2)

0510T1007
 A0514T1027
 B0518T1065
 B0518T1040
 C0518T1080

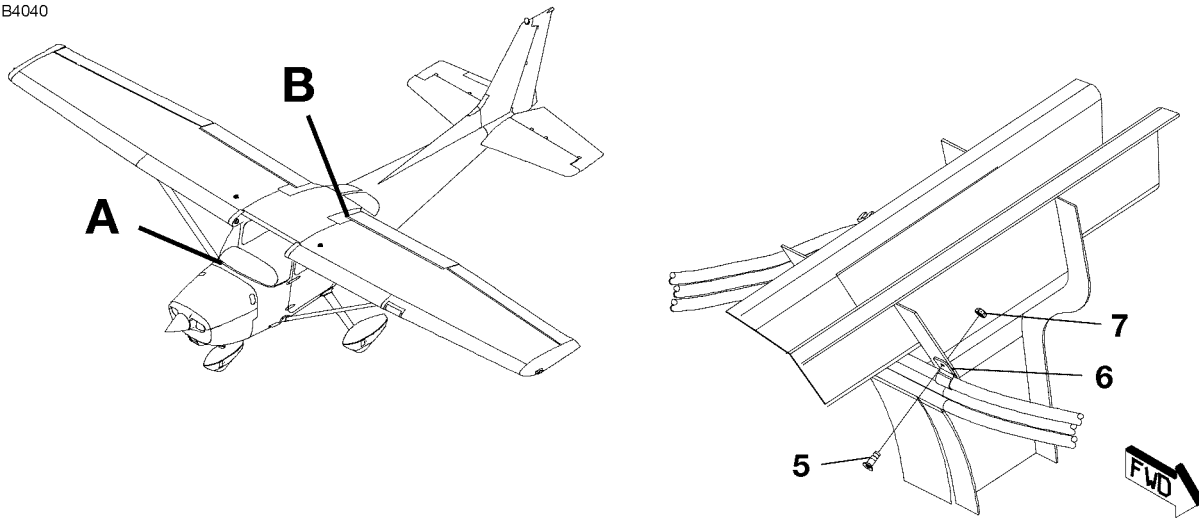
CESSNA AIRCRAFT COMPANY
MODEL 172 (SERIES 1996 AND ON)
ILLUSTRATED PARTS CATALOG

FIG ITEM	PART NUMBER	NOMENCLATURE	UNITS	
			PER	ASSY
01				
75	2013142-18	. SELECTOR VALVE ASSY		01
		. ATTACHING PARTS		
76	MS24694-S4	. SCREW		02
77	MS21044N08	. NUT		02
		. * _		
78	S1981-7	. KNOB ASSY-STATIC SOURCE		01
79	S1131-1	. INSERT		09
80	S1130-1	. NUT		09
81	S1071-1	. TUBE-BKI		AR
		. ATTACHING PARTS		
81A	MS35489-9	. GROMMET 172	80001 81240	04
81B	MS35489-9	. GROMMET 172S	08001 09810	04
81C	S1021Z8-8	. SCREW 172	08001 81240	01
81D	S1021Z8-8	. SCREW 172S	08001 09810	01
- 81E	AN742D5	. CLAMP 172	80001 81240	01
- 81F	AN742D5	. CLAMP 172S	08001 09810	01
- 81G	S4215-4	. NUT 172	80001 81240	01
- 81H	S4215-4	. NUT 172S	08001 09810	01
- 81I	S1741-3	. ANCHOR 172	80001 81240	01
- 81J	S1741-3	. ANCHOR 172S	08001 09810	01
		. * _		
82	S2043-1	. SUMP ASSEMBLY		01
83	AN916-1D	. ELBOW		01
84	AN911-1D	. NIPPLE		01
85	S1776-1	. BUTTON-STATIC PORT		01
86	SSD120-30A	. BLIND ENCODER WITH MOUNTING TRAY & KNURLED NUT UC800 172 . . V57323 80701	& ON	01
86A	SSD120-30A	. BLIND ENCODER WITH MOUNTING TRAY & KNURLED NUT UC800 172S . V57323 08113	& ON	01
86B	SSD120-20	. BLIND ENCODER REPLACED BY SSD120-30A UC800 172 V57323 80001 80700		01
86C	SSD120-20	. BLIND ENCODER REPLACED BY SSD120-30A UC800 172S V57323 08001 08114		01
87	SSD120-30A-RS232	. BLIND ENCODER WITH MOUNTING TRAY & KNURLED NUT UC800 172 . . V57323 81098	& ON	01
- 87A	SSD120-30A-RS232	. BLIND ENCODER WITH MOUNTING TRAY & KNURLED NUT UC800 172S . V57323 09063	& ON	01
88		. TRANSPONDER SYSTEM REFER TO 34-50-02 FIGURE 01		RF
89	S1135-1	. ELBOW		01
90	S1137-1	. TEE		01
91	S1419-1	. BUTTON ASSY-OPTIONAL		01
92	NAS1149F0732P	. WASHER		01
93	AN316-7R	. NUT		01
- 94		. DELETED-NOT USED		
95	AN3-7A	. BOLT		01
96	NAS43HT3-32	. SPACER		01
97	MS21919WDG12	. CLAMP		01
98	NAS1149F0332P	. WASHER		01
99	MS21044N3	. NUT		01

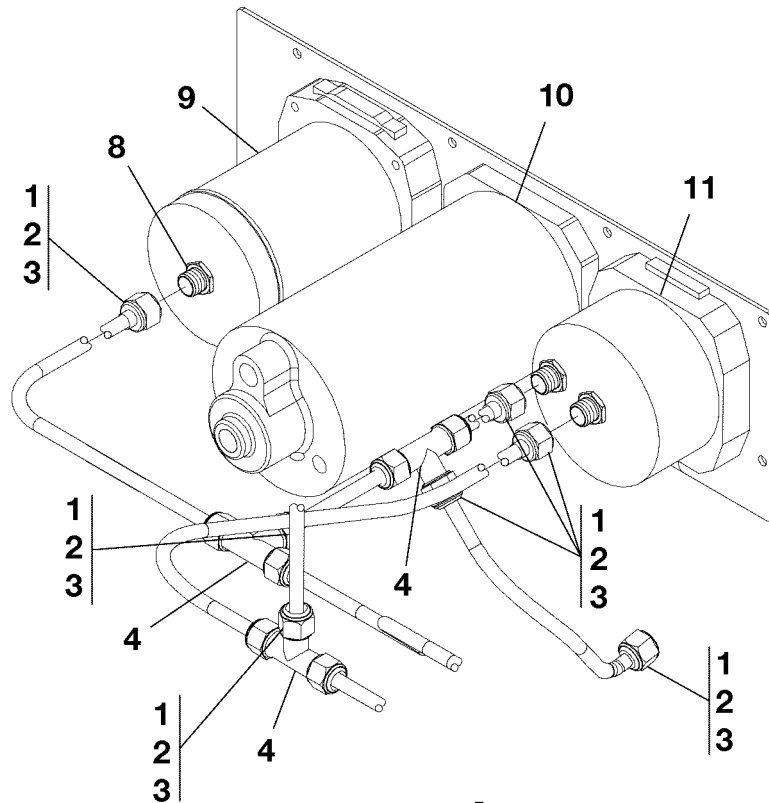
- ITEM NOT ILLUSTRATED

CESSNA AIRCRAFT COMPANY
MODEL 172 (SERIES 1996 AND ON)
ILLUSTRATED PARTS CATALOG

B4040



DETAIL B



DETAIL A

PITOT AND STATIC SYSTEM-NAV III
FIGURE 02 (SHEET 1)

0510T1007
A0714T1051A
B0514T1060

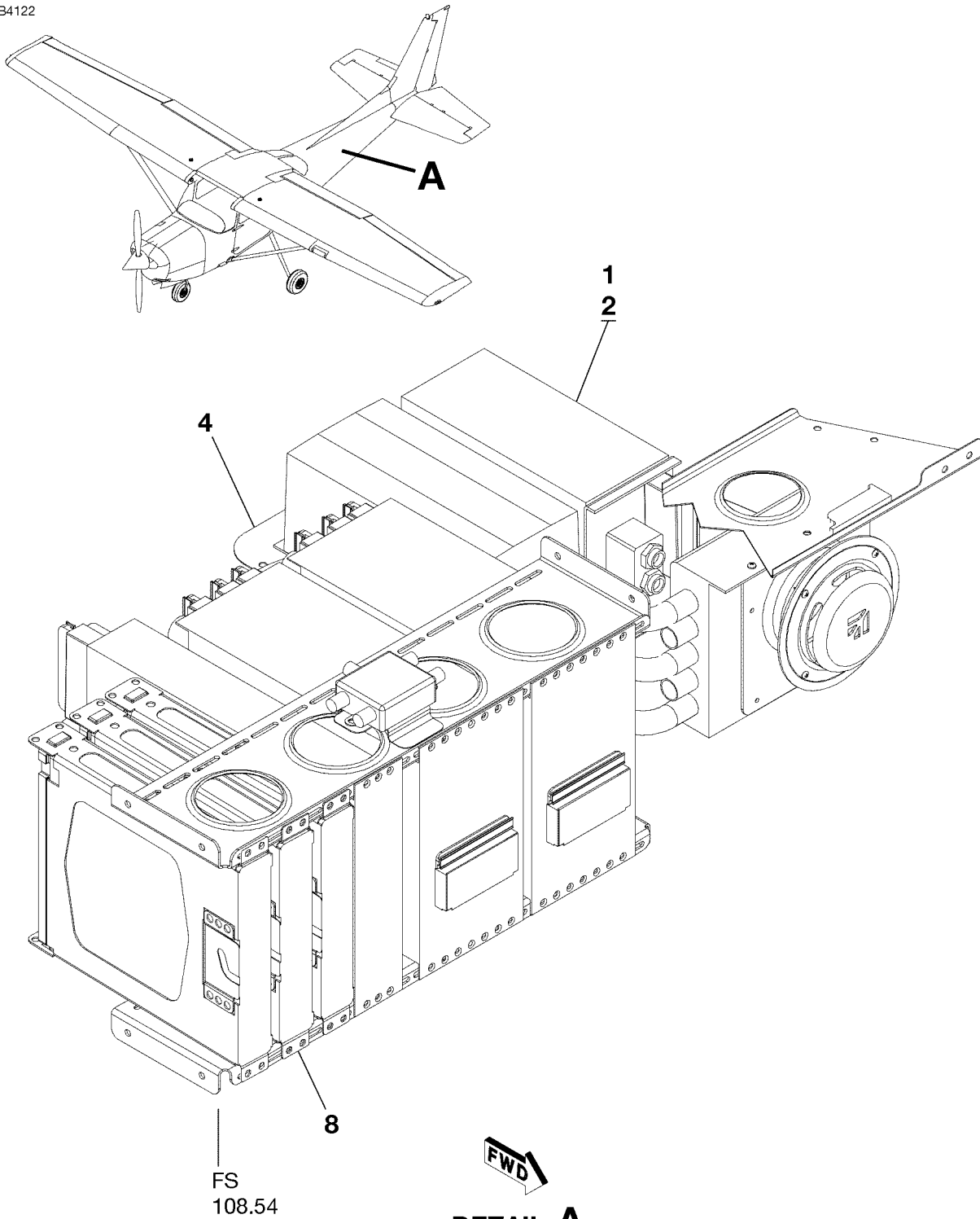
CESSNA AIRCRAFT COMPANY
MODEL 172 (SERIES 1996 AND ON)
 ILLUSTRATED PARTS CATALOG

FIG ITEM	PART NUMBER	1 2 3 4 5 6 7	NOMENCLATURE	UNITS PER ASSY		
02			PITOT AND STATIC SYSTEM-NAV III	81241	& ON	RF
-				09810	& ON	
1	S1071-1		. TUBE			AR
2	S1130-1		. NUT			02
3	S1131-1		. INSERT			02
4	S1137-1		. TEE			01
5	S1021Z8-8		. SCREW			01
6	AN742D5		. CLAMP			01
7	S4215-4		. NUT			01 R
8	S1133-1		. CONNECTOR			01
9			. ALTIMETER REFER TO 34-11-00 FIGURE 01			RF
10			. HORIZONTAL GYRO REFER TO 37-10-00 FIGURE 07			RF
11			. AIRSPEED REFER TO 34-11-00 FIGURE 01			RF

- ITEM NOT ILLUSTRATED

CESSNA AIRCRAFT COMPANY
MODEL 172 (SERIES 1996 AND ON)
ILLUSTRATED PARTS CATALOG

B4122



AFT AVIONICS EQUIPMENT - NAV III
FIGURE 01 (SHEET 1)

0510T1007
A0518T1103

CESSNA AIRCRAFT COMPANY
MODEL 172 (SERIES 1996 AND ON)
ILLUSTRATED PARTS CATALOG

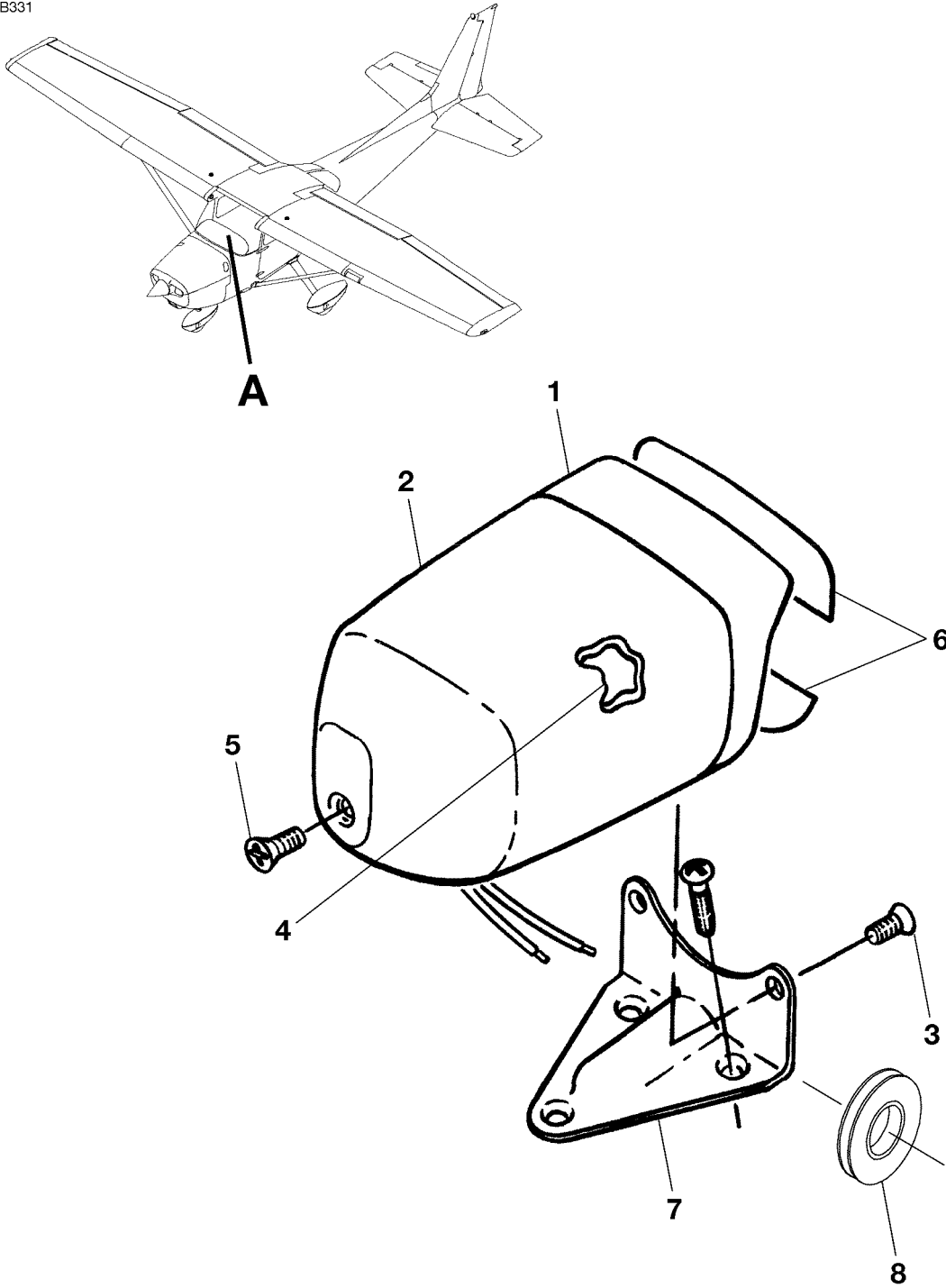
FIG ITEM	PART NUMBER	NOMENCLATURE	UNITS PER ASSY		
			1	2	3
01		AFT AVIONICS EQUIPMENT - NAV III			
-			81241	& ON	RF
			09810	& ON	
1	011-00882-00	. ADC UNIT 172 FSO S3100-486	V0TRC3	81241	81356 NP
- 1A	011-00882-00	. ADC UNIT 172S FSO S3100-486	V0TRC3	09810	10431 NP
- 1B	011-00882-01	. ADC UNIT 172 FSO S3100-486 REFER TO NOTE 1		81241	81356 NP
- 1C	011-00882-01	. ADC UNIT 172S FSO S3100-486 REFER TO NOTE 1		09810	10431 NP
- 1D	011-00882-10	. ADC UNIT 172 FSO S3100-486	V0TRC3	81357	81537 NP
- 1E	011-00882-10	. ADC UNIT 172S FSO S3100-486	V0TRC3	10432	10768 NP
- 1F	S3100-486	. ADC UNIT 172		81538	& ON 01
- 1G	S3100-486	. ADC UNIT 172S		10769	& ON 01
		ATTACHING PARTS			
2	MS35206-245	. SCREW	V0TRC3		06
- 3	011-01011-00	. MOUNTING RACK	V0TRC3		01
4		. REMOTE AVIONICS STRUCTURE REFER TO 53-10-00 FIGURE 04			RF
- 5	011-00915-00	. NUTPLATE KIT	V0TRC3		02
- 6	011-01014-00	. MOUNTING HARDWARE	V0TRC3		01
- 7	011-00978-00	. OAT PROBE TL003	V0TRC3		01
8	011-00987-00	. DATA LINK REFER TO NOTE 2 FSO S3100-489	V0TRC3		NP R
- 8A	S3100-489	. DATA LINK			01 R

NOTE 1—AIRPLANES 17281241 THRU 17281356 AND AIRPLANES 172S09810 THRU 172S10431 INCORPORATING SB08-34-04.

NOTE 2—AIRPLANES 172S9810 THRU 172S9811, 172S9813 THRU 172S9847, 172S9849, 172S9851 THRU 172S9857, 172S9859 THRU 172S9860, 172S9862 THRU 172S9887, 172S9889 THRU 172S9902, 172S9904, 172S9906 THRU 172S9920 AND 172S9922 THRU 172S9932 INCORPORATING SB05-34-09.

CESSNA AIRCRAFT COMPANY
MODEL 172 (SERIES 1996 AND ON)
ILLUSTRATED PARTS CATALOG

B331



DETAIL A

COMPASS INSTALLATION
FIGURE 01 (SHEET 1)

0510T1007
A0514T1007

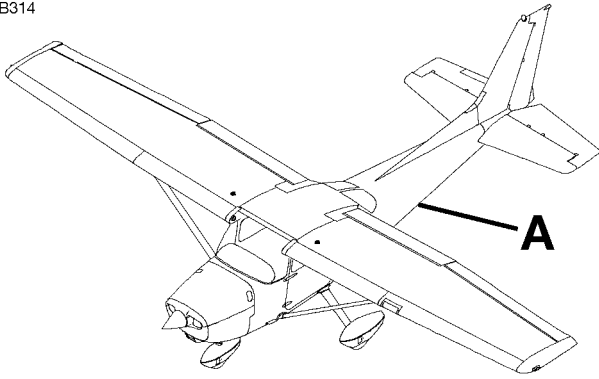
CESSNA AIRCRAFT COMPANY
MODEL 172 (SERIES 1996 AND ON)
 ILLUSTRATED PARTS CATALOG

FIG ITEM	PART NUMBER	NOMENCLATURE	UNITS
			PER ASSY
01			
-		COMPASS INSTALLATION	RF
1	0413517-13	. BEZEL-COMPASS	01
2	0413517-12	. CUP-COMPASS	01
		ATTACHING PARTS	
3	MS35199-14	. SCREW	02
		—+—	
4	C660501-0103	. COMPASS	01
		ATTACHING PARTS	
5	MS24693BB53	. SCREW	01
		—+—	
6		. PLACARD-COMPASS CORRECTION REFER TO 11-N-31 FIGURE 01	RF
7		. BRACKET-COMPASS MOUNTING REFER TO 53-10-00 FIGURE 02	RF
8	MS35489-33	. GROMMET-USE ON WIRES AT DECK	01 R

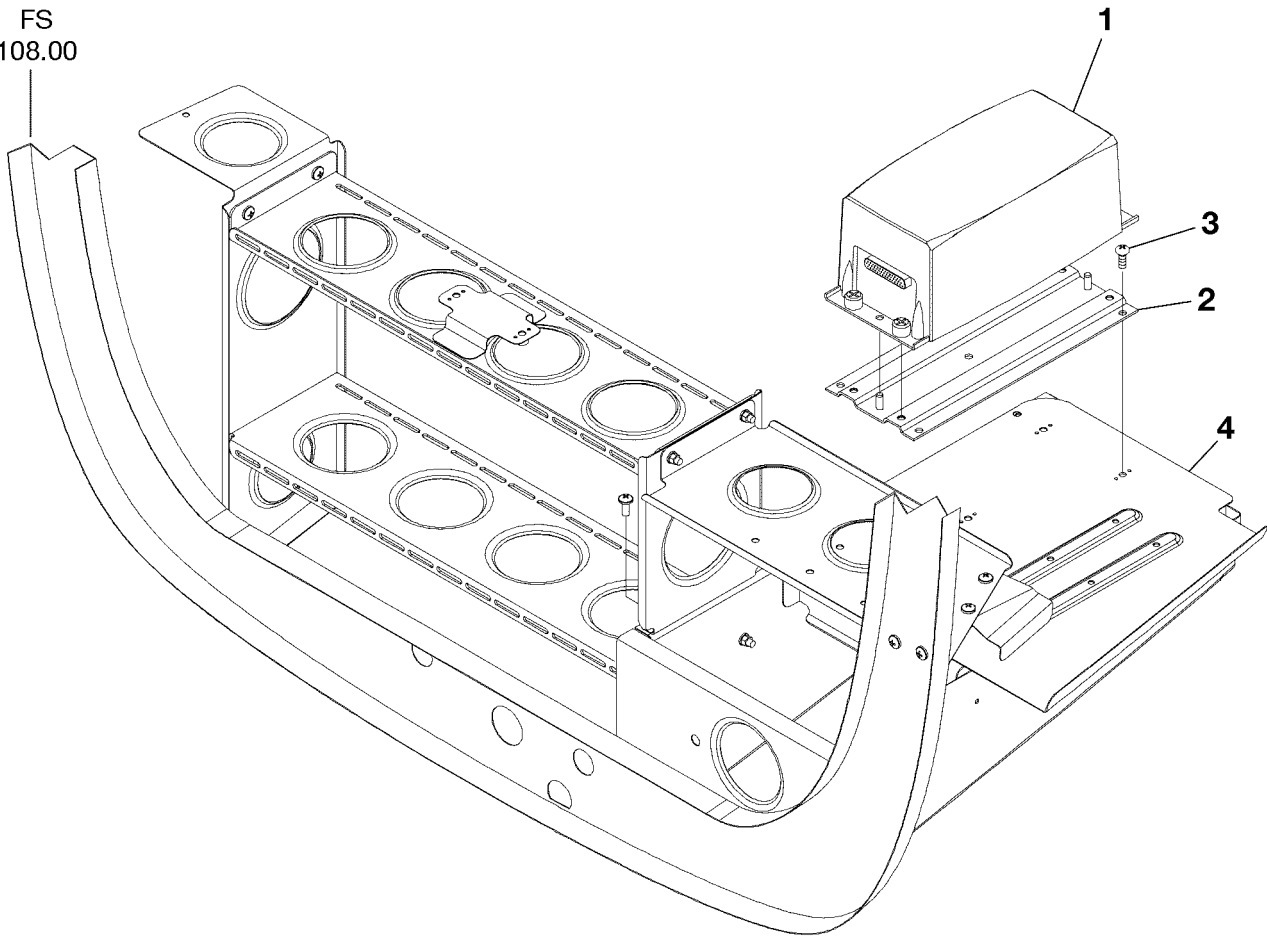
- ITEM NOT ILLUSTRATED

CESSNA AIRCRAFT COMPANY
MODEL 172 (SERIES 1996 AND ON)
ILLUSTRATED PARTS CATALOG

B314



FS
108.00



DETAIL A

0510T1007
A0518T1127

ATTITUDE HEADING REFERENCE SYSTEM (AHRS) INSTALLATION-NAV III
FIGURE 01 (SHEET 1)

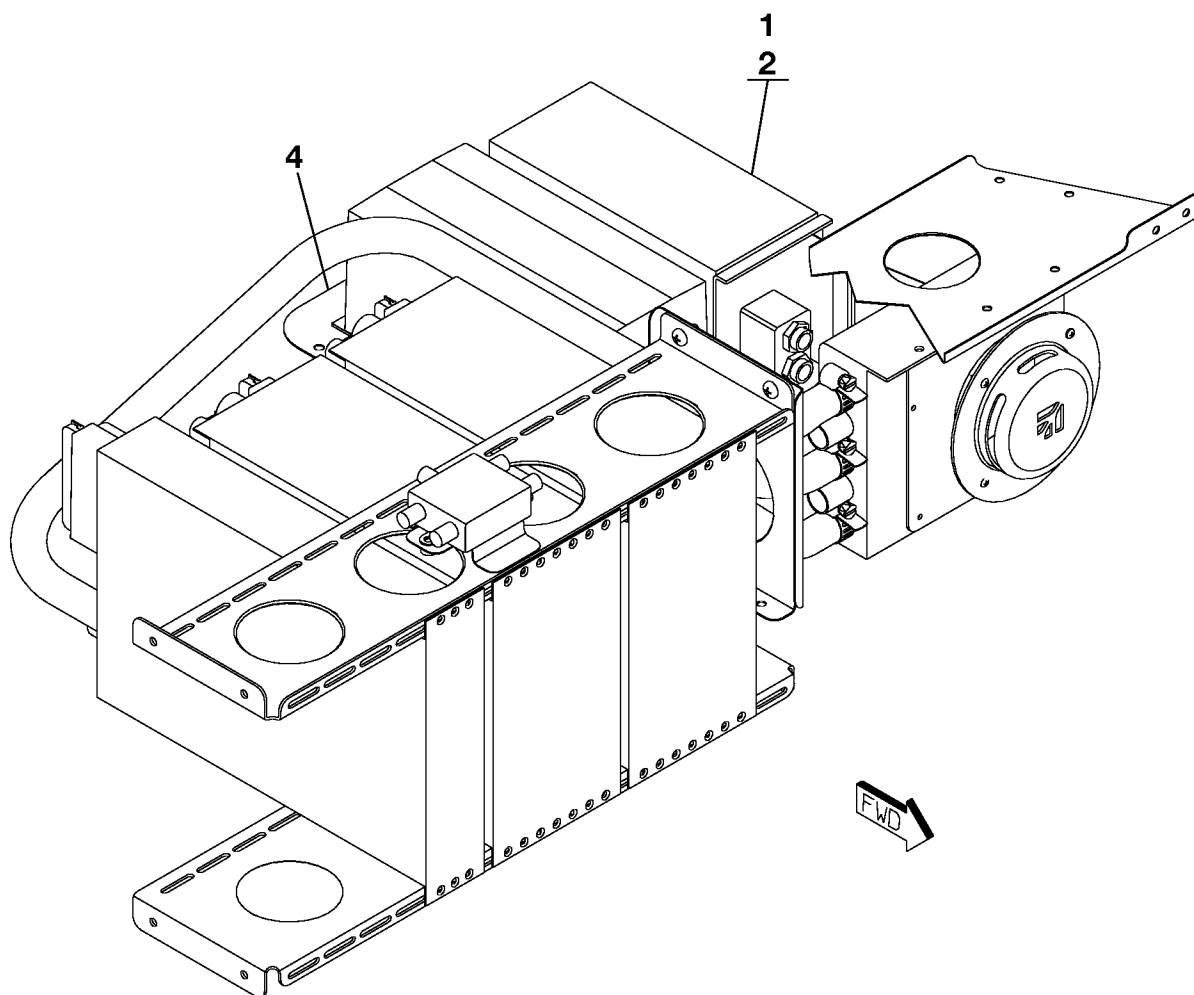
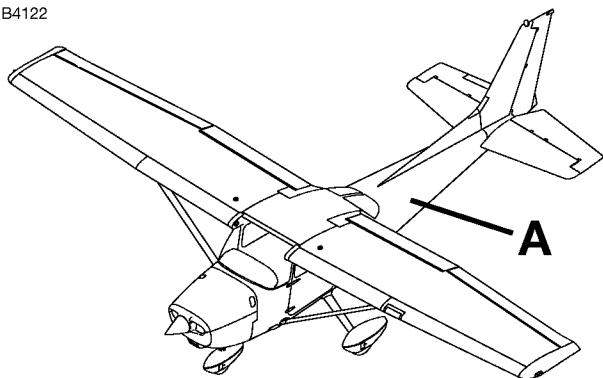
CESSNA AIRCRAFT COMPANY
MODEL 172 (SERIES 1996 AND ON)
 ILLUSTRATED PARTS CATALOG

FIG ITEM	PART NUMBER	NOMENCLATURE	UNITS PER ASSY		
			1	2	3
01		ATTITUDE HEADING REFERENCE SYSTEM (AHRS) INSTALLATION-NAV III	81241	& ON	RF
-			09810	& ON	
1	011-00868-00	. AHRS 172	V0TRC3 81241	81262	01 R
- 1A	011-00868-00	. AHRS 172S	V0TRC3 09810	10007	01
- 1B	011-00868-10	. AHRS 172	V0TRC3 81263	81449	01
- 1C	011-00868-10	. AHRS 172S	V0TRC3 10008	10609	01
- 1D	S3100-483	. AHRS 172 FSO S3100-517	81450	81555	NP R
- 1E	S3100-483	. AHRS 172S FSO S3100-517	10610	10926	NP R
- 1F	S3100-517	. AHRS 172	81556	81559	01 R
- 1G	S3100-517	. AHRS 172S	10927	10960	01 R
- 1H	S3100-511	. AHRS 172	81560	& ON	01 R
- 1J	S3100-511	. AHRS 172S	10961	& ON	01 R
2	115-00459-00	. MOUNTING RACK	V0TRC3		01
		. ATTACHING PARTS			
3	MS35207-263	. SCREW			05
		. _____			
4		. SHELF ASSY REFER TO 53-10-00 FIGURE 04.			RF

- ITEM NOT ILLUSTRATED

CESSNA AIRCRAFT COMPANY
MODEL 172
ILLUSTRATED PARTS CATALOG

B4122



DETAIL A

FS
108.54

AIR DATA INSTALLATION-NAV III
FIGURE 02 (SHEET 1)

0510T1007
A0518T1103

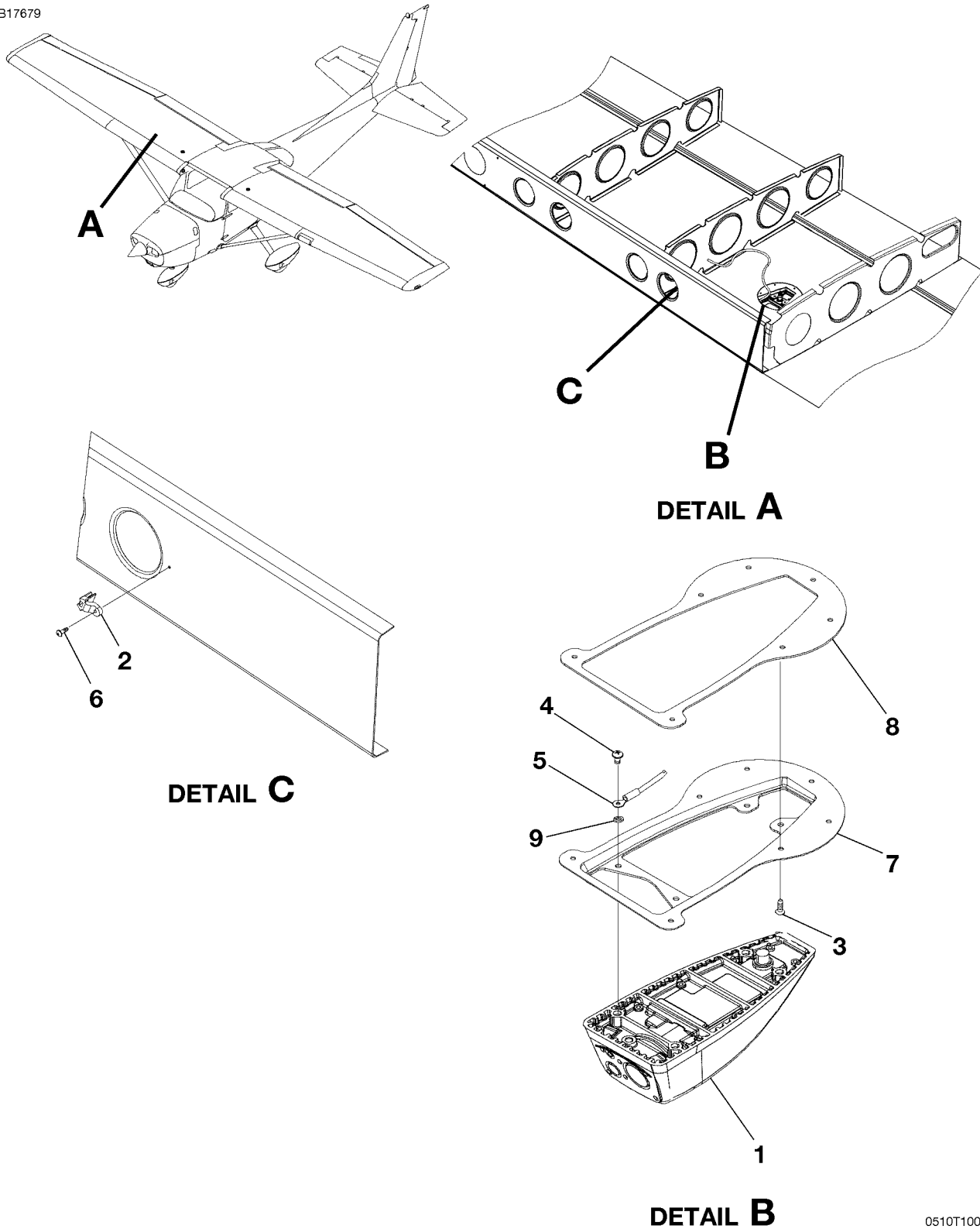
CESSNA AIRCRAFT COMPANY
MODEL 172
 ILLUSTRATED PARTS CATALOG

FIG ITEM	PART NUMBER	1 2 3 4 5 6 7	NOMENCLATURE	UNITS PER ASSY		
02			AIR DATA INSTALLATION-NAV III	81241	& ON	RF
-				09810	& ON	
1	011-00882-00		. ADC UNIT 172	V0TRC3 81241	81356	01 R
- 1A	011-00882-00		. ADC UNIT 172S	V0TRC3 09810	10431	01 R
- 1B	011-00882-10		. ADC UNIT 172	V0TRC3 81357	& ON	01 R
- 1C	011-00882-10		. ADC UNIT 172S	V0TRC3 10432	& ON	01 R
			ATTACHING PARTS			
2	MS35206-245		. SCREW	V0TRC3		06
			—*—			
- 3	011-01011-00		. MOUNTING RACK	V0TRC3		01
4			. REMOTE AVIONICS STRUCTURE REFER TO 53-10-00 FIGURE 04			RF
- 5	011-00915-00		. NUTPLATE KIT	V0TRC3		02
- 6	011-01014-00		. MOUNTING HARDWARE	V0TRC3		01

- ITEM NOT ILLUSTRATED

CESSNA AIRCRAFT COMPANY
MODEL 172 (SERIES 1996 AND ON)
ILLUSTRATED PARTS CATALOG

B17679



ENHANCED VISION SYSTEM
FIGURE 01 (SHEET 1)

0510T1007
A0514T1069
B0514T1069

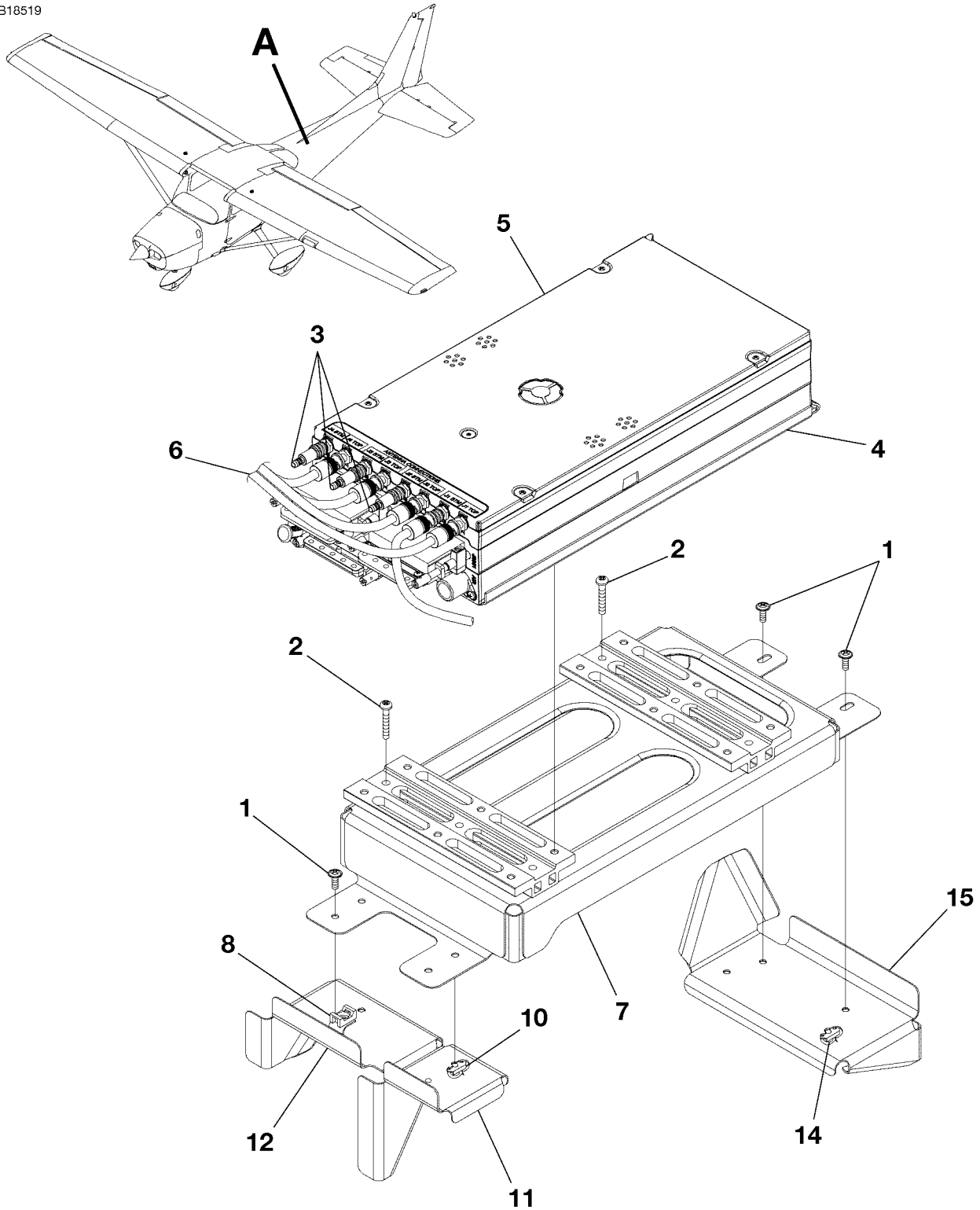
CESSNA AIRCRAFT COMPANY
MODEL 172 (SERIES 1996 AND ON)
 ILLUSTRATED PARTS CATALOG

FIG ITEM	PART NUMBER	NOMENCLATURE	UNITS PER ASSY
	1 2 3 4 5 6 7		
01		ENHANCED VISION SYSTEM	RF
-			
1	S3100-562	. EVS-600 CAMERA ASSY REFER TO NOTE 1	01 R
		ATTACHING PARTS	
2	S2034-1	. MOUNT REFER TO NOTE 1	01 R
3	MS35206-245	. SCREW REFER TO NOTE 1	07 R
4	MS35207-260	. SCREW REFER TO NOTE 1	04 R
5	MS35338-43	. WASHER-LOCK, SPRING REFER TO NOTE 1	04 R
6	S1021Z8-8	. SCREW REFER TO NOTE 1	01 R
		—*	
7	3940482-1	. SPACER-EVS REFER TO NOTE 1	01 R
8	3940482-2	. GASKET-EVS REFER TO NOTE 1	01 R
9	MS25083-2BB18	. JUMPER ASSY REFER TO NOTE 1	01 R
		NOTE 1—AIRPLANES 17281593 AND ON AND AIRPLANES 172S11127 AND ON INCORPORATING SEB-34-04.	R

- ITEM NOT ILLUSTRATED

CESSNA AIRCRAFT COMPANY
MODEL 172 (SERIES 1996 AND ON)
ILLUSTRATED PARTS CATALOG

B18519



DETAIL A

TAS EQUIPMENT INSTALLATION-172
FIGURE 01 (SHEET 1)

0510T1007
A0514T1070

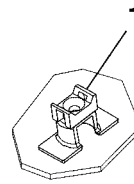
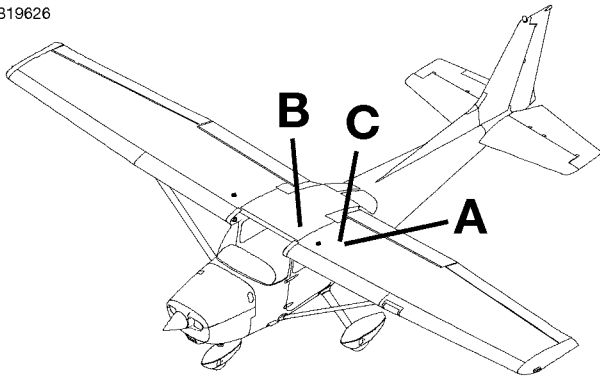
CESSNA AIRCRAFT COMPANY
MODEL 172 (SERIES 1996 AND ON)
 ILLUSTRATED PARTS CATALOG

FIG ITEM	PART NUMBER	NOMENCLATURE	UNITS PER ASSY	
			1 2 3 4 5 6 7	
01		TAS EQUIPMENT INSTALLATION-172		RF R
-				
1	AN525-832R7	. SCREW 172	81617	& ON 08 R
- 1A	AN525-832R7	. SCREW 172S	11191	& ON 08 R
2	MS35206-249	. SCREW 172	81617	& ON 06 R
- 2A	MS35206-249	. SCREW 172S	11191	& ON 06 R
3	011-01364-15	. QMA CONNECTOR KIT 172	V0TRC3 81617	& ON 01 R
- 3A	011-01364-15	. QMA CONNECTOR KIT 172S	V0TRC3 11191	& ON 01 R
4	115-00784-00	. GTS HORIZONTAL INSTALLATION RACK 172	V0TRC3 81617	& ON 01 R
- 4A	115-00784-00	. GTS HORIZONTAL INSTALLATION RACK 172S	V0TRC3 11191	& ON 01 R
5	011-01356-00	. GTS 800 TAS 172	81617	& ON 01 R
- 5A	011-01356-00	. GTS 800 TAS 172S	11191	& ON 01 R
6	3927142-4	. WIRE ASSY-ANTENNA COAXES 172	81617	& ON 01 R
- 6A	3927142-4	. WIRE ASSY-ANTENNA COAXES 172S	11191	& ON 01 R
7		. SHELF ASSY REFER TO 53-10-00 FIGURE 04.		RF R
8	S3528-5B	. ANCHOR ASSY		01 R
- 9	3940484-4	. FWD SHELF SUPPORT ASSY 172	81617	& ON 01 R
- 9A	3940484-4	. FWD SHELF SUPPORT ASSY 172S	11191	& ON 01 R
10	MS21075L08N	. . . NUTPLATE		04 R
11	3940484-16	. . . FWD SHELF SUPPORT 172	81617	& ON 01 R
- 11A	3940484-16	. . . FWD SHELF SUPPORT 172S	11191	& ON 01 R
12	3940484-6	. . . FWD SHELF SUPPORT 172	81617	& ON 01 R
- 12A	3940484-6	. . . FWD SHELF SUPPORT 172S	11191	& ON 01 R
13	3940484-5	. . . AFT SHELF SUPPORT ASSY 172	81617	& ON 01 R
- 13A	3940484-5	. . . AFT SHELF SUPPORT ASSY 172S	11191	& ON 01 R
14	MS21075L08N	. . . NUTPLATE		04 R
15	3940484-7	. . . AFT SHELF SUPPORT 172	81617	& ON 01 R
- 15A	3940484-7	. . . AFT SHELF SUPPORT 172S	11191	& ON 01 R

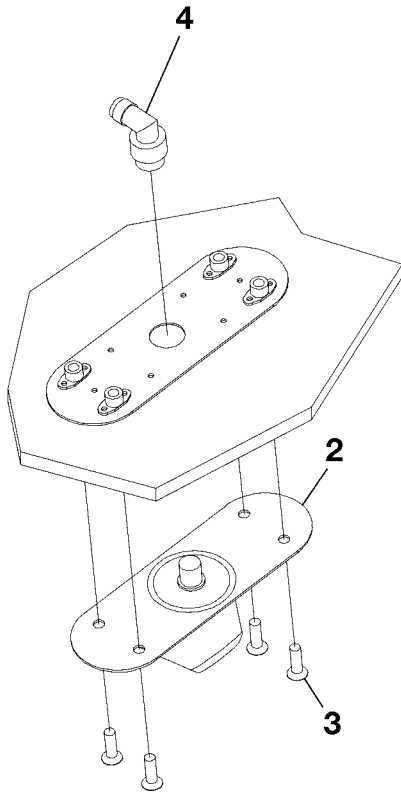
- ITEM NOT ILLUSTRATED

CESSNA AIRCRAFT COMPANY
MODEL 172 (SERIES 1996 AND ON)
ILLUSTRATED PARTS CATALOG

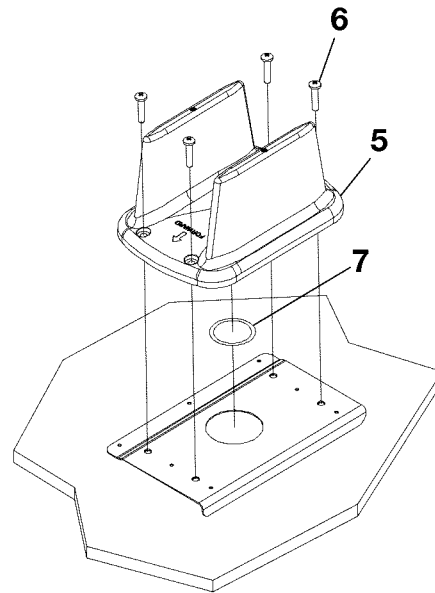
B19626



DETAIL A



DETAIL C



DETAIL B

0510T1007
A0518T1158
B0518T1158
C0518T1158

TAS ANTENNA INSTALLATION - 172
FIGURE 01 (SHEET 1)

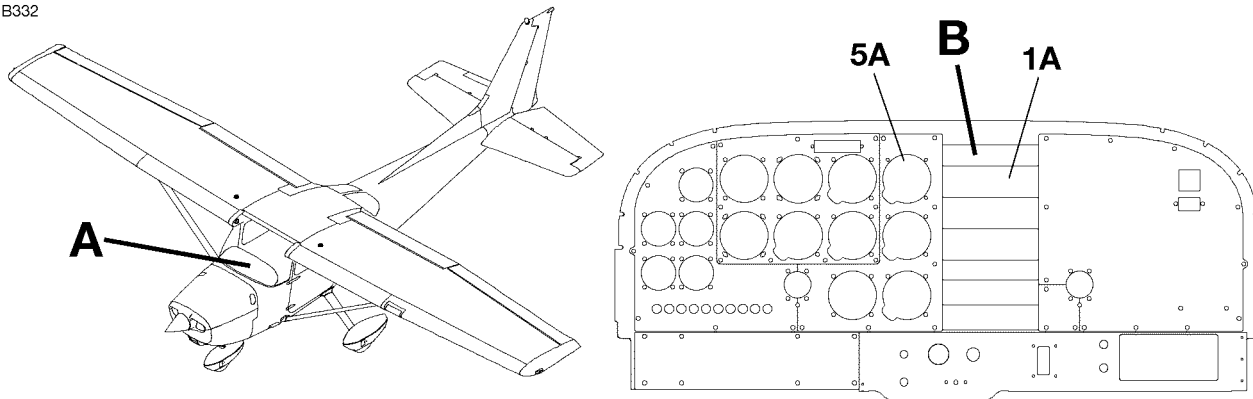
CESSNA AIRCRAFT COMPANY
MODEL 172 (SERIES 1996 AND ON)
 ILLUSTRATED PARTS CATALOG

FIG ITEM	PART NUMBER	1 2 3 4 5 6 7	NOMENCLATURE	UNITS PER ASSY		
01			TAS ANTENNA INSTALLATION - 172	81617	& ON	RF R
-				11191	& ON	
1	CB4021G3N8		. MOUNT-CABLE TIE 172	V66530	81617	81622 01 R
- 1A	CB4021G3N8		. MOUNT-CABLE TIE 172S	V66530	11191	11322 01 R
2	L10-611-14		. ANTENNA L-BAND	V55635		01 R
			ATTACHING PARTS			
3	MS24693-C273		. SCREW			04 R
4	79125		. ANGLE-PLUG JACK	V74868		01 R
			—*—			
5	011-01346-00		. GA58 DIRECTIONAL ANTENNA	V0TRC3		01 R
			ATTACHING PARTS			
6	MS27039C0812		. SCREW			04 R
7	MS28775-134		. O-RING	V81343		01 R
			—*—			

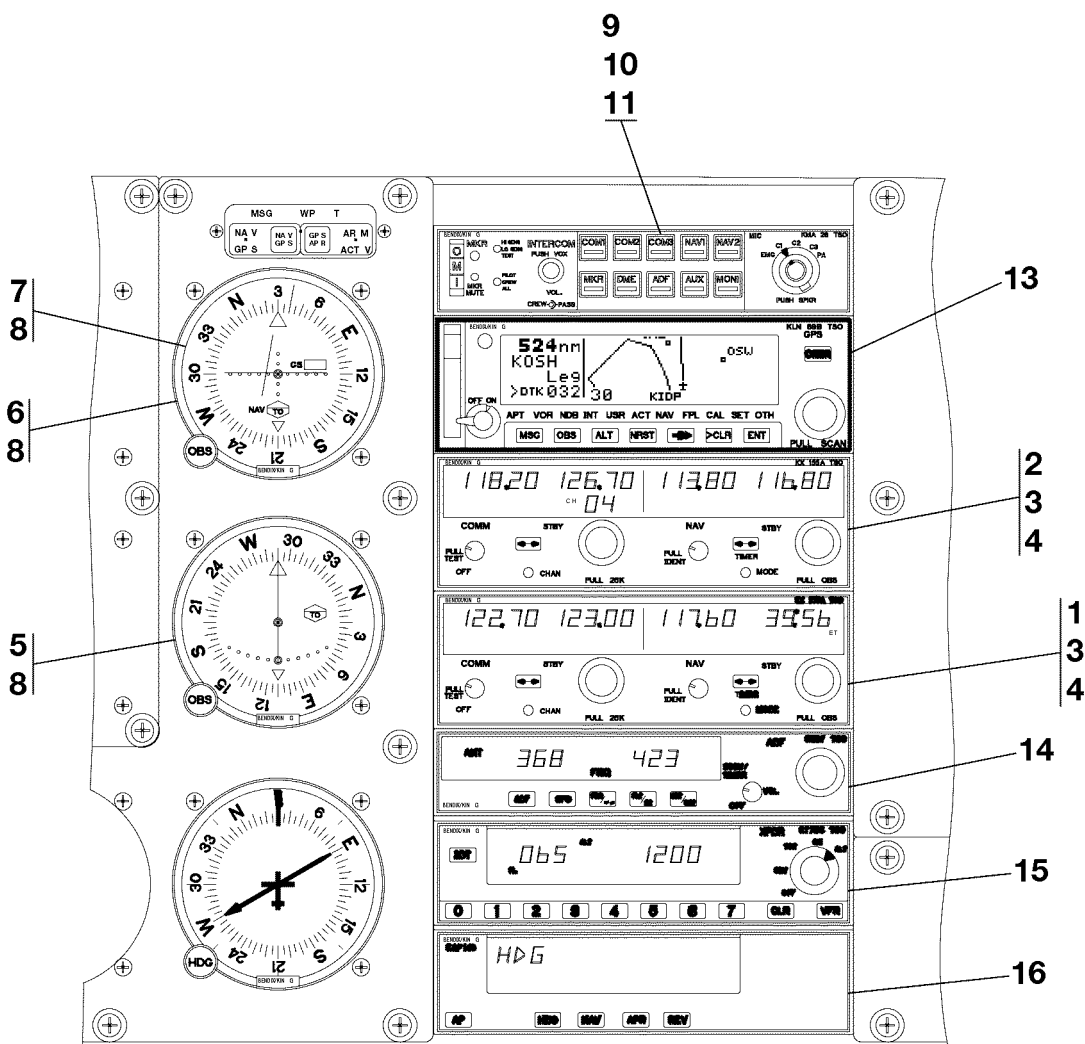
- ITEM NOT ILLUSTRATED

CESSNA AIRCRAFT COMPANY
MODEL 172 (SERIES 1996 AND ON)
 ILLUSTRATED PARTS CATALOG

B332



DETAIL A



DETAIL B

VHF NAVIGATION SYSTEM
 FIGURE 01 (SHEET 1)

0510T1007
 A0518T1003
 B0518T1033

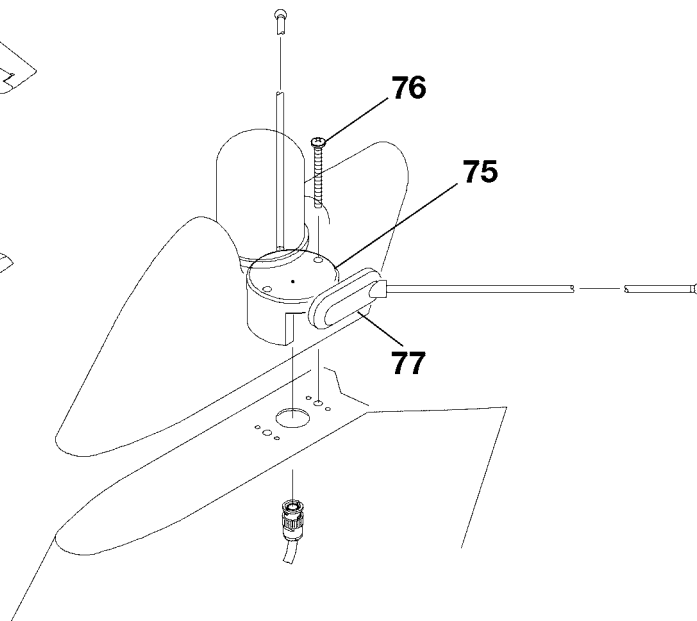
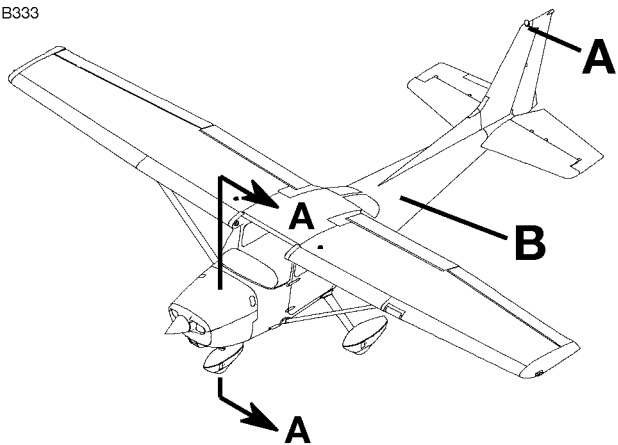
CESSNA AIRCRAFT COMPANY MODEL 172 (SERIES 1996 AND ON) ILLUSTRATED PARTS CATALOG

FIG ITEM	PART NUMBER	NOMENCLATURE	UNITS PER ASSY
01		VHF NAVIGATION SYSTEM	RF
-			
1	3910310-5	. RECEIVER/CONTROL-KX155A W/O GLIDESLOPE MOD 8 172 V22373 80813	80983 01
1A	3910310-5	. RECEIVER/CONTROL-KX155A W/O GLIDESLOPE MOD 8 172S V22373 08320	08703 01
- 1B	S3100-156	. RECEIVER/CONTROL-KX155A W/O GLIDESLOPE 172 V22373 80721	80812 01
- 1C	S3100-156	. RECEIVER/CONTROL-KX155A W/O GLIDESLP 172S V22373 08190	08319 01
- 1D	069-01032-0201	. RECEIVER/CONTROL-KX155A W/O GLIDESLOPE 172 V22373 80001	80983 01
- 1E	069-01032-0201	. RECEIVER/CONTROL-KX155A W/O GLIDESLOPE 172 REFER TO NOTE 1 V22373 08001	08703 01
- 1F	S3100-179	. RECEIVER/CONTROL-KX155A NAV/COM WO/GS 172 80984	& ON 01
- 1G	S3100-179	. RECEIVER/CONTROL-KX155A NAV/COM WO/GS 172S 08704	& ON 01
- 1H	S3484-6-12G1	. SCREW	04
2	069-01033-0101	. RECEIVER/CONTROL-KX165A NAV/COM W/GS 172 REFER TO NOTE 1 V22373 81098	& ON 01
- 2A	069-01033-0101	. RECEIVER/CONTROL-KX165A NAV/COM W/GS 172S REFER TO NOTE 1 V22373 09063	& ON 01
- 2B	3910310-4	. RECEIVER/CONTROL-KX155A NAV/COM W/GS 172 REFER TO NOTE 1 V22373 80813	81097 01
- 2C	3910310-4	. RECEIVER/CONTROL-KX155A NAV/COM W/GS 172S V22373 08320	09062 01
- 2D	S3100-155	. RECEIVER/CONTROL-KX155A NAV/COM 172 REFER TO NOTE 1 V22373 80721	80812 01
- 2E	S3100-155	. RECEIVER/CONTROL REFER TO NOTE 1 V22373 08190	08319 01
- 2F	069-01032-0101	. RECEIVER/CONTROL-KX155A NAV/COM 172 REFER TO NOTE 1 V22373 80001	80720 01
- 2G	069-01032-0101	. RECEIVER/CONTROL-KX155A 172S REFER TO NOTE 1 V22373 08001	08089 01
- 2H	S3100-178	. RECEIVER/CONTROL-KX155A NAV/COM W/GS (MOD 8 & ON) 172 80984	& ON 01
- 2J	S3100-178	. RECEIVER/CONTROL-KX155A NAV/COM W/GS (MOD 8 & ON) 172S 08704	& ON 01
3	047-04874-001	. TRAY	01
		ATTACHING PARTS	
- 3A	MS24693-S27	. SCREW	04 R
4	S1477-06	. NUT	04
		—*—	
5	3910310-1	. INDICATOR-KI208 VOR NAV1/2 MOD 8 172 REFER TO NOTE 1 V22373 80780	& ON 01
5A	3910310-1	. INDICATOR-KI208 VOR NAV1/2 MOD 8 172S REFER TO NOTE 1 V22373 08062	& ON 01
- 5B	S3100-112	. INDICATOR-KI208 VOR NAV1 & NAV2 172 REFER TO NOTE 1 V22373 80694	80779 01
- 5C	S3100-112	. INDICATOR-VOR KI208 NAV1 & NAV2 172S REFER TO NOTE 1 V22373 08113	08261 01
- 5D	S3100-157	. INDICATOR-VOR KI208 NAV1 172S REFER TO NOTE 1 V22373 08262	& ON 01
- 5E	S3100-157	. INDICATOR-VOR KI208 MOD 5 172S REFER TO NOTE 1 V22373 80780	& ON 01
- 5F	066-03056-0002	. INDICATOR-VOR KI208 NAV1 & NAV2 172 REFER TO NOTE 1 V22373 80001	80778 01
- 5G	066-03056-0002	. INDICATOR KI208 USED WITH NAV1 & NAV2 172S REFER TO NOTE 1 V22373 08001	& ON 01
- 5H	066-03056-0002	. INDICATOR-VOR STD PACKAGE REFER TO NOTE 1 V22373	01
- 5J	S3484-6-12G1	. SCREW	04
6	066-03056-0003	. INDICATOR KI209 USED WITH NAV1 REFER TO NOTE 1 V22373	01
7	3910310-3	. INDICATOR-ILS KI209A NAV1 MOD 8 172 REFER TO NOTE 1 V22373 80830	& ON 01
- 7A	3910310-3	. INDICATOR-ILS KI209A NAV1 MOD 8 172S REFER TO NOTE 1 V22373 08347	& ON 01
- 7B	S3100-158	. INDICATOR-ILS KI209A NAV1 172 REFER TO NOTE 1 V22373 80780	& ON 01
- 7C	S3100-158	. INDICATOR-ILS KI209A NAV1 172S REFER TO NOTE 1 V22373 08262	& ON 01
- 7D	S3100-114	. INDICATOR-ILS KI209A NAV2 172 REFER TO NOTE 1 V22373 80833	& ON 01
- 7E	S3100-114	. INDICATOR-ILS KI209A NAV2 172S REFER TO NOTE 1 V22373 08350	& ON 01
- 7F	066-03056-0011	. INDICATOR-ILS KI209A NAV2 172 REFER TO NOTE 1 V22373 80001	80832 01
- 7G	066-03056-0011	. INDICATOR-ILS KI209A NAV2 172S REFER TO NOTE 1 V22373 08001	08349 01
		ATTACHING PARTS	
8	S3484-6-12G1	. SCREW WAS S3484-6-13G1	03
		—*—	
- 8A	S2357-2S	. CLAMP	04
9	066-01055-0003	. CONTROL-DISPLAY KMA26 USED WITH STANDARD, NAV1 & NAV2	01
		ATTACHING PARTS	
10	MS24693-S27	. SCREW	04 R
11	S1477-06	. NUT	04
		—*—	
- 12		. CABLE ASSY-KX155A REFER TO WIRING DIAGRAM MANUAL	RF
13		. GPS INSTALLATION REFER TO 34-51-00 FIGURE 01	RF
14		. ADF NAVIGATION REFER TO 34-50-01 FIGURE 01	RF
15		. TRANSPONDER REFER TO 34-50-02 FIGURE 01	RF
16		. AUTOPILOT REFER TO 22-10-00 FIGURE 01	RF
- 17		. AVIONICS FAN REFER TO 21-21-00 FIGURE 01	RF

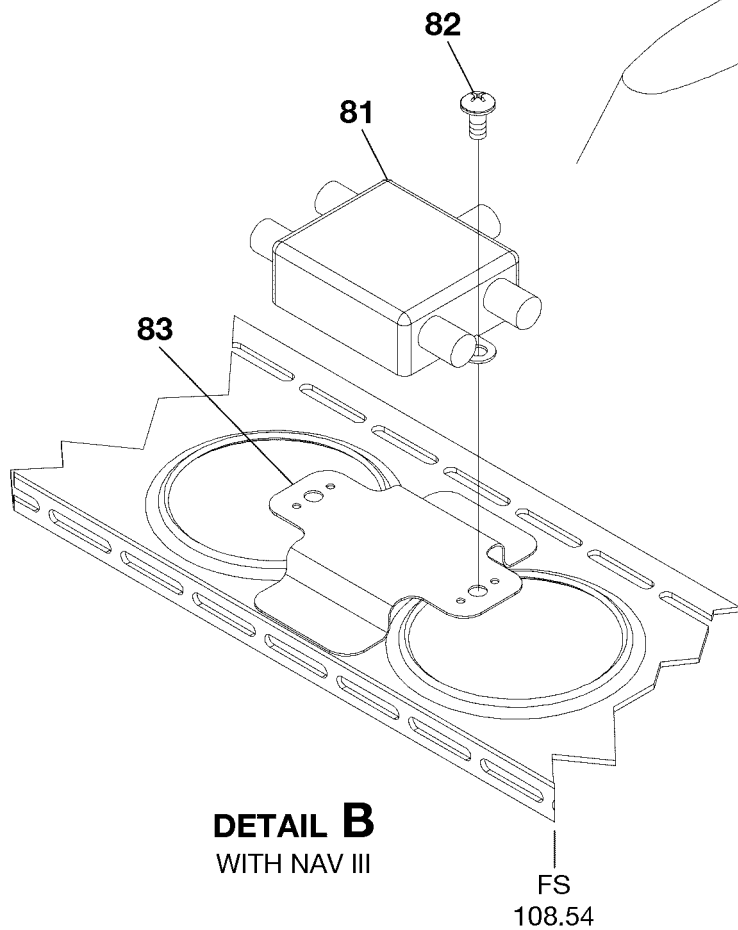
NOTE 1—AVIONICS PACKAGE DETERMINES POSITION AND TYPE OF INSTRUMENT

CESSNA AIRCRAFT COMPANY
MODEL 172 (SERIES 1996 AND ON)
 ILLUSTRATED PARTS CATALOG

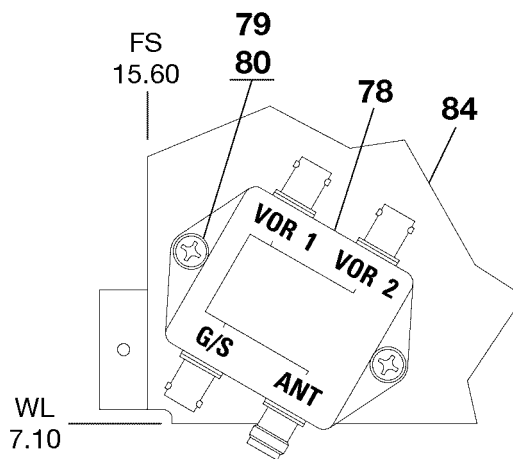
B333



DETAIL A



DETAIL B
 WITH NAV III



VIEW A-A
 LOOKING OUTBD AT LH SIDE

0510T1007
 A0518T1030
 AA0518T1031
 B0518T1131

VHF NAVIGATION SYSTEM
 FIGURE 01 (SHEET 2)

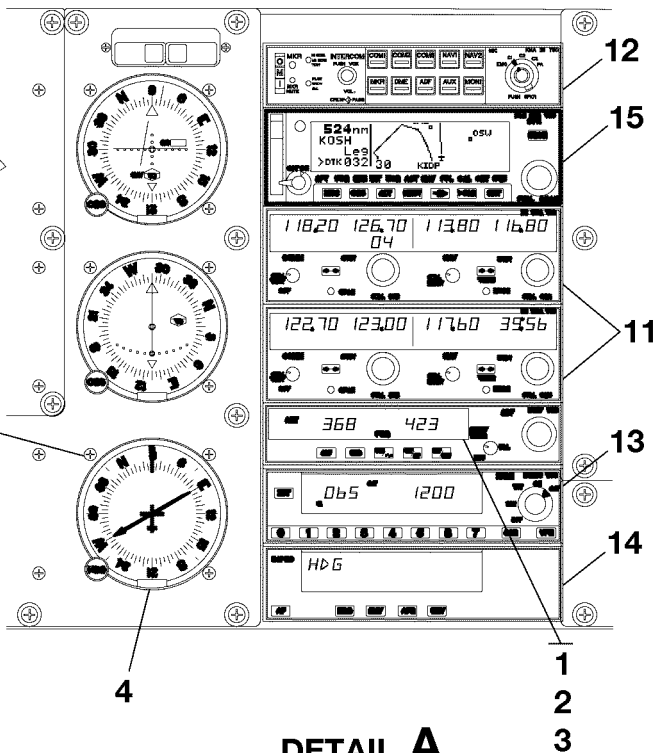
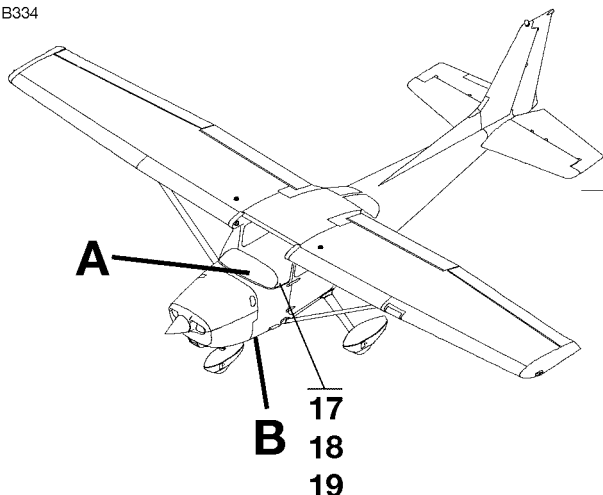
CESSNA AIRCRAFT COMPANY
MODEL 172 (SERIES 1996 AND ON)
 ILLUSTRATED PARTS CATALOG

FIG ITEM	PART NUMBER	NOMENCLATURE	UNITS	
			PER	ASSY
01				
75	C598504-0201	. ANTENNA USED WITH STANDARD, NAV1 & NAV2 . AVIONICS PACKAGE .		01
- 75A	CI215	. ANTENNA-VOR & GLIDESLOPE USED WITH NAV III 172	81241	& ON 01
- 75B	CI215	. ANTENNA-VOR & GLIDESLOPE USED WITH NAV III 172S	09810	& ON 01
		ATTACHING PARTS		
76	MS35207-270	. SCREW		02
		—*—		
77	0412549-1	. BOOT-ANTENNA		02
78	S2473-1	. ANTENNA COUPLER		01
		ATTACHING PARTS		
79	MS35206-263	. SCREW		02
80	NAS1149FN816P	. WASHER		02
		—*—		
81	S2474-1	. ANTENNA COUPLER USED WITH NAV III 172	81241	& ON 01
- 81A	S2474-1	. ANTENNA COUPLER USED WITH NAV III 172S	09810	& ON 01
		ATTACHING PARTS		
82	MS35207-261	. SCREW		02
		—*—		
83		. COUPLER BRACKET REFER TO 53-10-00 FIGURE 04		RF
84		. SUPPORT ASSEMBLY REFER TO 53-10-00 FIGURE 02		RF

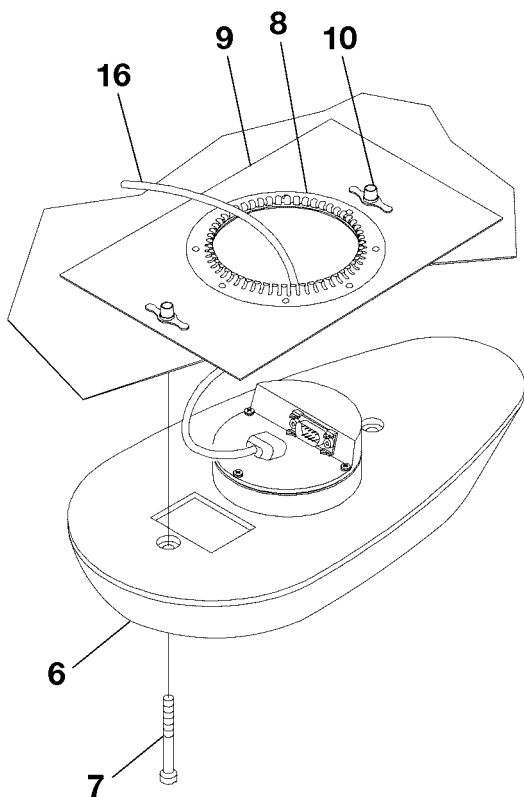
- ITEM NOT ILLUSTRATED

CESSNA AIRCRAFT COMPANY
MODEL 172 (SERIES 1996 AND ON)
 ILLUSTRATED PARTS CATALOG

B334



DETAIL A



DETAIL B

AUTOMATIC DIRECTION FINDING (ADF) SYSTEM-NAV I & NAV II
 FIGURE 01 (SHEET 1)

0510T1007
 A0518T1033
 B0518T1043

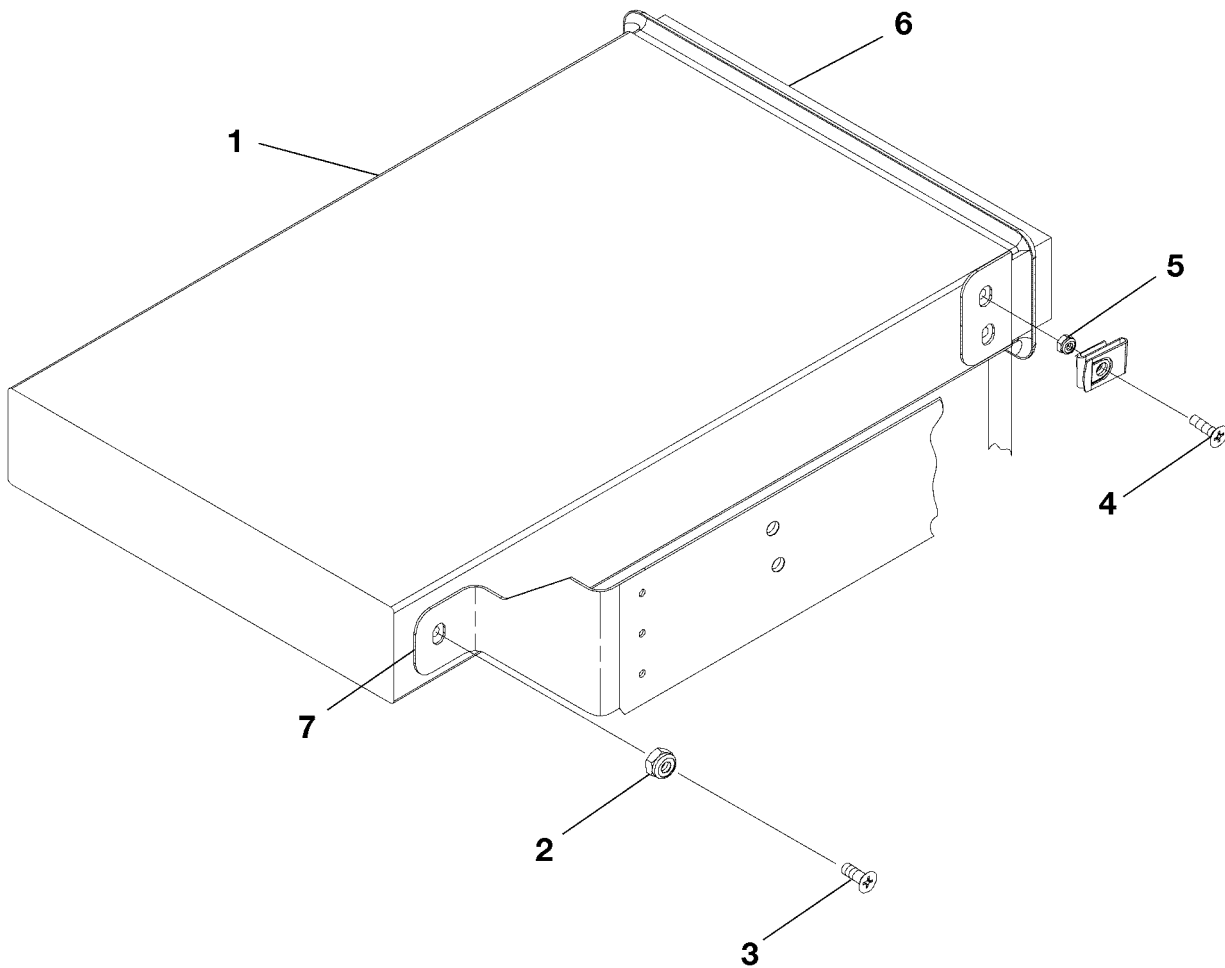
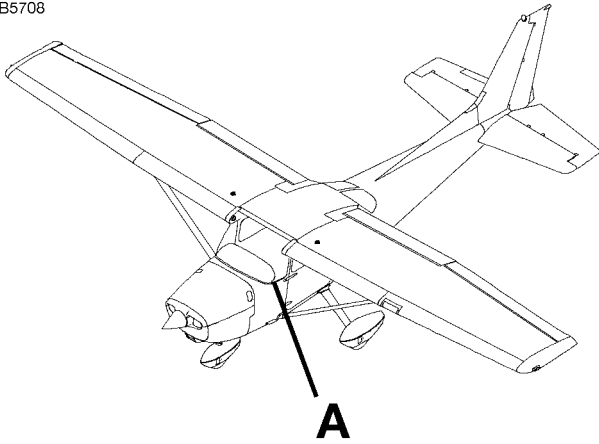
CESSNA AIRCRAFT COMPANY
MODEL 172 (SERIES 1996 AND ON)
ILLUSTRATED PARTS CATALOG

FIG ITEM	PART NUMBER	NOMENCLATURE	UNITS		
			PER	ASSY	
01		AUTOMATIC DIRECTION FINDING (ADF) SYSTEM-NAV I & NAV II			
-					RF R
1	066-1072-14	. RECEIVER-ADF KR87 172 V22373	80984	81252	01
- 1A	066-1072-14	. RECEIVER-ADF KR87 172S V22373	08704	09887	01
- 1B	047-05193-0002	. TRAY ALT 066-03063-0000 V22373			01
		ATTACHING PARTS			
2	MS24693-S27	. SCREW			04
3	S1477-06	. NUT			04
		—*—			
4	066-3063-00	. INDICATOR-ADF KI227 USED WITH NAV 1 & NAV 2 V22373			01
		ATTACHING PARTS			
5	S3294-6-12G1	. SCREW			04
		—*—			
6	071-01234-0000	. ANTENNA-ADF KA44B USED WITH NAV 1 & NAV 2 ALT 071-1234-00 V22373			01
		ATTACHING PARTS			
7	MS35276-284	. SCREW			02
		—*—			
8	047-5657-01	. GROUNDING RING V22373			01
9	0511817-1	. DOUBLER ASSY			01
10	MS21059L4	. NUTPLATE			02
11		. VHF NAVIGATION SYSTEM REFER TO 34-50-00 FIGURE 01			RF R
12		. CONTROL DISPLAY REFER TO 23-50-00 FIGURE 01			RF
13		. TRANSPONDER REFER TO 34-50-02 FIGURE 01			RF
14		. AUTOPILOT REFER TO 22-10-00 FIGURE 01			RF
15		. GPS INSTALLATION REFER TO 34-51-00 FIGURE 01			RF
16		. CABLE ASSEMBLY ADF REFER TO WIRING DIAGRAM MANUAL			RF
17		. CABLE ASSEMBLY-STANDARD REFER TO WIRING DIAGRAM MANUAL			RF
18		. CABLE ASSEMBLY-NAV I REFER TO WIRING DIAGRAM MANUAL			RF
19		. CABLE ASSEMBLY-NAV II REFER TO WIRING DIAGRAM MANUAL			RF

- ITEM NOT ILLUSTRATED

CESSNA AIRCRAFT COMPANY
MODEL 172 (SERIES 1996 AND ON)
ILLUSTRATED PARTS CATALOG

B5708



0510T1007
A0514T1063

AUTOMATIC DIRECTION FINDING (ADF) NAVIGATION SYSTEM
FIGURE 02 (SHEET 1)

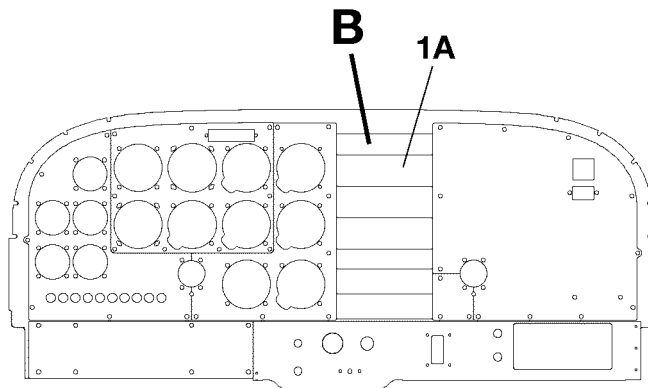
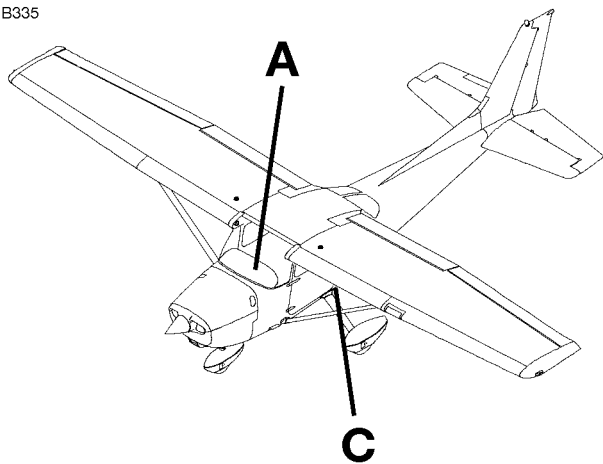
CESSNA AIRCRAFT COMPANY
MODEL 172 (SERIES 1996 AND ON)
 ILLUSTRATED PARTS CATALOG

FIG ITEM	PART NUMBER	NOMENCLATURE	UNITS PER ASSY	
			1 2 3 4 5 6 7	
02		AUTOMATIC DIRECTION FINDING (ADF) NAVIGATION SYSTEM		RF R
- 1	S3100-405	. RECEIVER-ADF KR87 172	81253	& ON 01 R
- 1A	S3100-405	. RECEIVER-ADF KR87 172S	09888	& ON 01
		ATTACHING PARTS		
2	MS21044N06	. NUT		01
3	MS24693-S26	. SCREW 172	81272	81535 01 R
- 3A	MS24693-S26	. SCREW 172S	10102	10770 01 R
- 3B	MS24693-S29	. SCREW 172	81536	& ON 01 R
- 3C	MS24693-S29	. SCREW 172S	10771	& ON 01 R
4	MS24693-S27	. SCREW		04
5	S1477-06	. NUT		04
6	0519099-1	. BEZEL-ADF		01
7	3930494-3	. SUPPORT BRACKET 172 FSO 3930494-5	81272	81535 NP
- 7A	3930494-3	. SUPPORT BRACKET 172S FSO 3930494-5	10102	10770 NP
- 7B	3930494-5	. SUPPORT BRACKET 172	81536	& ON 01
- 7C	3930494-5	. SUPPORT BRACKET 172S	10771	& ON 01

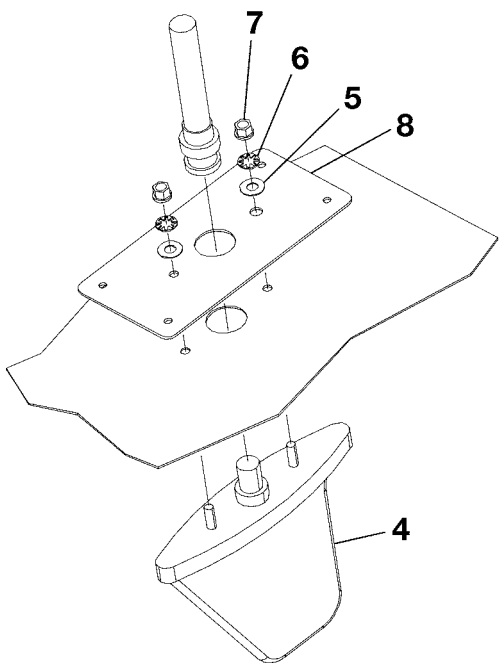
- ITEM NOT ILLUSTRATED

CESSNA AIRCRAFT COMPANY
MODEL 172 (SERIES 1996 AND ON)
 ILLUSTRATED PARTS CATALOG

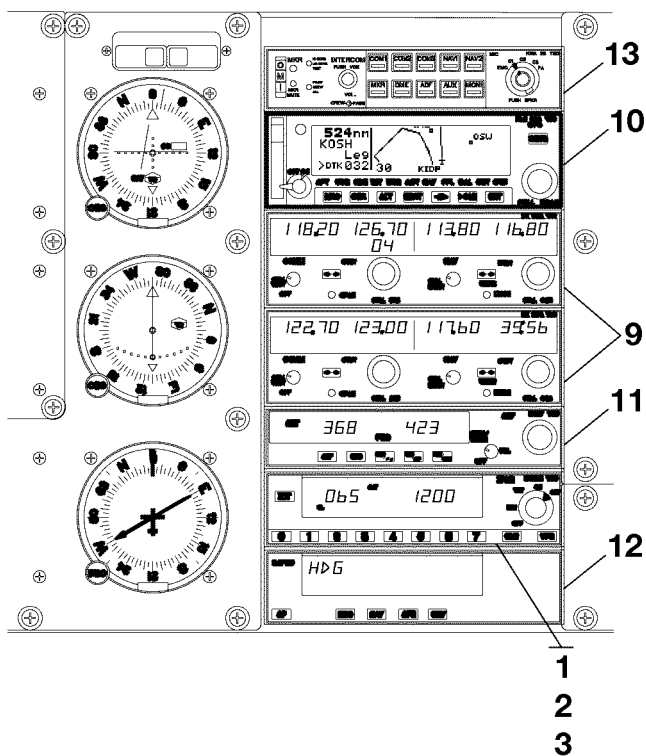
B335



DETAIL A



DETAIL C



DETAIL B

TRANSPONDER SYSTEM
 FIGURE 01 (SHEET 1)

0510T1007
 A0518T1003
 B0518T1033
 C0518T1042

CESSNA AIRCRAFT COMPANY
MODEL 172 (SERIES 1996 AND ON)
ILLUSTRATED PARTS CATALOG

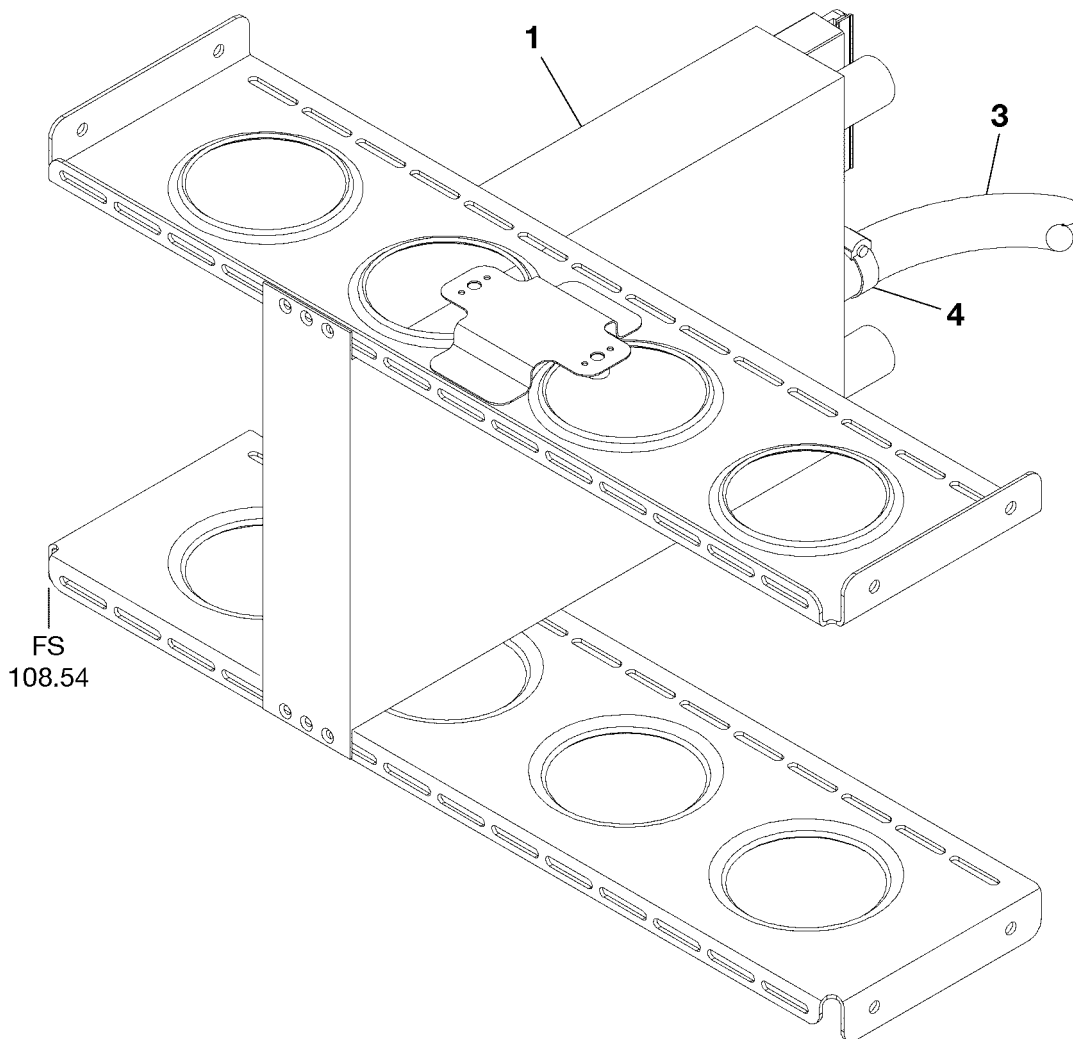
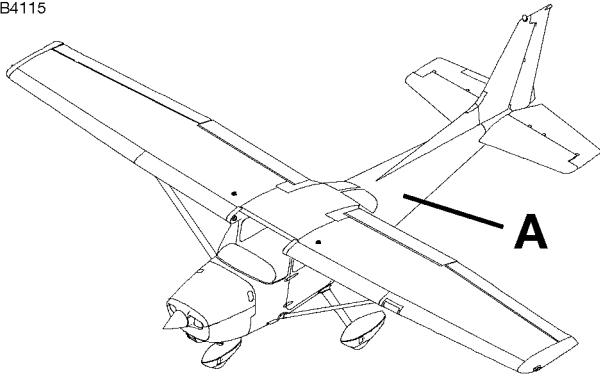
FIG ITEM	PART NUMBER	NOMENCLATURE	UNITS	
			PER	ASSY
01		TRANSPONDER SYSTEM		RF
-				
1	S3100-173	. TRANSPONDER-KT76C 172	80984	& ON 01
1A	S3100-173	. TRANSPONDER-KT76C 172S	08704	& ON 01
- 1B	066-01156-0101	. TRANSPONDER-KT76C 172 FSO S3100-173	V22373 80001	80983 NP
- 1C	066-01156-0101	. TRANSPONDER-KT76C 172S FSO S3100-173	V22373 08001	08703 NP
- 1D	047-09828-0004	. . RADIO RACK	V22373	01
- 1E	S3100-359	. TRANSPONDER-KT73 MODE S 172 REFER TO NOTE 1	81240	& ON 01
- 1F	S3100-359	. TRANSPONDER-KT73 MODE S 172S REFER TO NOTE 1	09809	& ON 01
- 1G	066-01164-0101	. TRANSPONDER-KT73 MODE S 172 REFER TO NOTE 2		01
		ATTACHING PARTS		
2	MS24693-S27	. SCREW		04
3	S1477-06	. NUT		04
		—*—		
4	C1105	. ANTENNA-TRANSPONDER	V51351 80001	81200 01
- 4A	C1105	. ANTENNA-TRANSPONDER	V51351 08001	09570 01
- 4B	C1105-16	. ANTENNA-TRANSPONDER/DME	V51351 81201	& ON 01
- 4C	C1105-16	. ANTENNA-TRANSPONDER/DME	V51351 09571	09570 01
		ATTACHING PARTS		
5	NAS1149FN816P	. WASHER		02
6	MS35333-38	. WASHER-REPLACES AN936A8		02
7	MS35649-282	. NUT		02
		—*—		
8	0511821-1	. DOUBLER		01
9		. VHF NAVIGATION SYSTEM REFER TO 34-50-00 FIGURE 01		RF R
10		. CONTROL DISPLAY UNIT REFER TO 34-60-00 FIGURE 02		RF R
11		. ADF NAVIGATION SYSTEM REFER TO 34-50-01 FIGURE 01		RF
12		. AUTOPILOT REFER TO 22-10-00 FIGURE 01		RF
13		. GPS NAVIGATION SYSTEM REFER TO 34-51-00 FIGURE 01		RF
- 14		. AVIONICS FAN REFER TO 21-21-00 FIGURE 01		RF
- 15		. CABLE ASSY-TRANSPONDER REFER TO WDM		RF R

NOTE 1—INSTALL THE KT73 MODE S TRANSDONDER USING THE EXISTING KT-76C RADIO RACK

NOTE 2—AIRPLANES 17280001 THRU 17281239 AND AIRPLANES 1728001 THRU 172S90808 INCORPORATING SB06-34-01

CESSNA AIRCRAFT COMPANY
MODEL 172 (SERIES 1996 AND ON)
ILLUSTRATED PARTS CATALOG

B4115



0510T1007
A0518T1132

TRANSPONDER SYSTEM - NAV III
FIGURE 01A (SHEET 1)

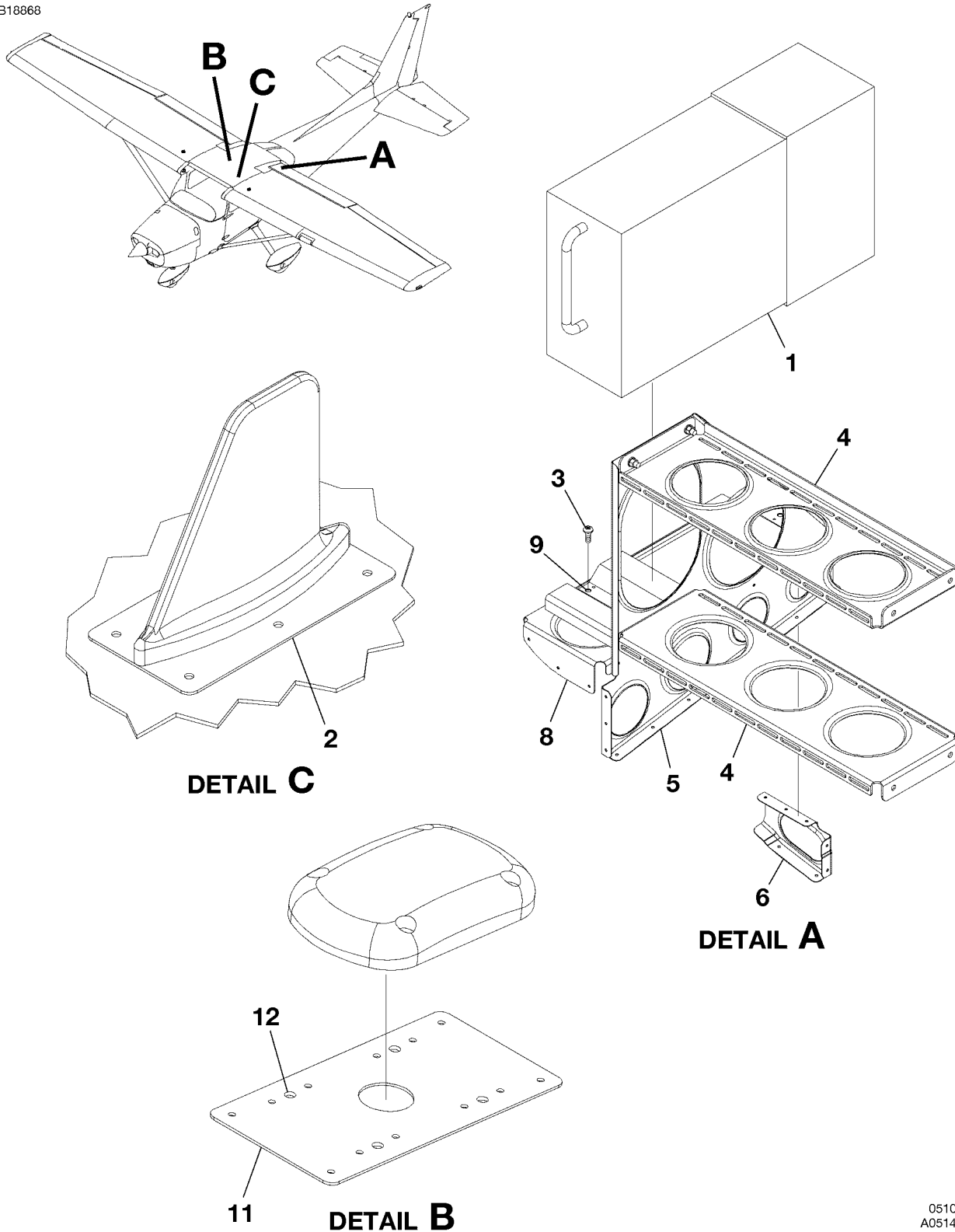
CESSNA AIRCRAFT COMPANY
MODEL 172 (SERIES 1996 AND ON)
 ILLUSTRATED PARTS CATALOG

FIG ITEM	PART NUMBER	NOMENCLATURE	UNITS		
			PER	ASSY	
01A					
-		TRANSPONDER SYSTEM - NAV III	81241	& ON	RF
			09810	& ON	
1	011-00779-00	. TRANSPONDER-MODE S 172 FSO 011-00779-10	V0TRC3 81241	81254	NP
- 1A	011-00779-00	. TRANSPONDER-MODE S 172S FSO 011-00779-10	V0TRC3 09810	09905	NP
- 1B	011-00779-10	. TRANSPONDER-GTX33 172	V0TRC3 81255	81364	01
- 1C	011-00779-10	. TRANSPONDER-GTX33 172S	V0TRC3 09906	10442	01
- 1D	S3100-453	. TRANSPONDER-GTX33 172	81365	81395	01
- 1E	S3100-453	. TRANSPONDER-GTX33 172S	10443	10502	01
- 1F	S3100-474	. TRANSPONDER-GTX33 172 VENDOR P/N 011-00779-10 (HD MOD 2 ONLY).	81396	81616	01 R
- 1G	S3100-474	. TRANSPONDER-GTX33 172S VENDOR P/N 011-00779-10 (HD MOD 2 ONLY)	10503	11190	01 R
- 1H	S3100-563	. TRANSPONDER-GTX33 ES 172 VENDOR P/N 011-00779-30 (MOD 1,2 ONLY)	81617	& ON	01 R
- 1J	S3100-563	. TRANSPONDER-GTX33 ES 172S VENDOR P/N 011-00779-30 (MOD 1,2 ONLY)	11191	& ON	01 R
- 2	115-00438-00	. MOUNTING RACK	V0TRC3		01
3	S1053E5W	. DUCT			AR
4	S2357-3	. CLAMP			01
- 5	011-00582-00	. BACKPLATE-GTX33	V0TRC3		01
- 6	011-00915-01	. NUTPLATE KIT	V0TRC3		01

- ITEM NOT ILLUSTRATED

CESSNA AIRCRAFT COMPANY
MODEL 172 (SERIES 1996 AND ON)
ILLUSTRATED PARTS CATALOG

B18868



0510T1007
A0514T1072
B0514T1072
C0514T1072

GARMIN GDL-90 INSTALLATION
FIGURE 01 (SHEET 1)

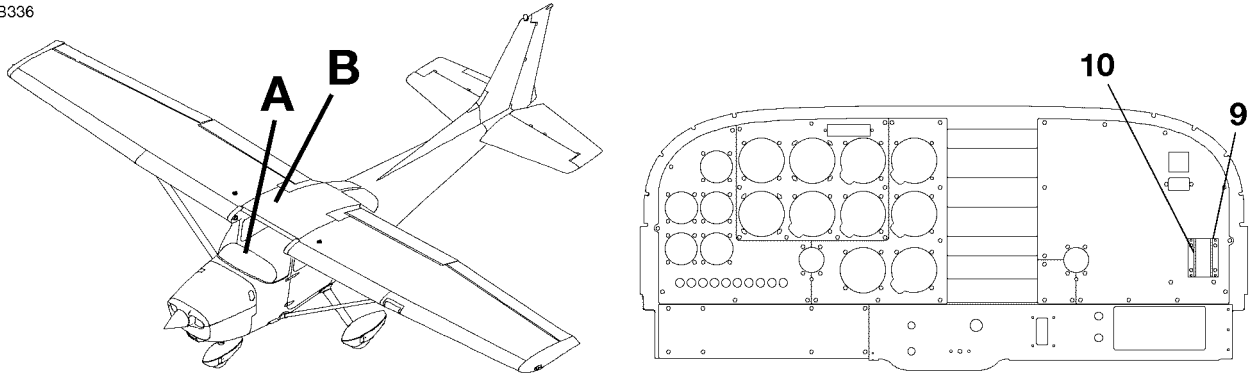
CESSNA AIRCRAFT COMPANY
MODEL 172 (SERIES 1996 AND ON)
 ILLUSTRATED PARTS CATALOG

FIG ITEM	PART NUMBER	NOMENCLATURE	UNITS PER ASSY		
			1	2	3
01					
-		GARMIN GDL-90 INSTALLATION	81241	& ON	RF R
			09810	& ON	
1	013-00176-01	. UAT(GDL 90)			01 R
2	0511821-1	. DOUBLER-TRANSPONDER ANTENNA			02 R
3	MS35206-244	. SCREW			04 R
4	3940478-3	. RACK			02 R
5	3940478-4	. SUPPORT-RH			01 R
6	3940478-7	. SUPPORT-AFT			01 R
- 7	3940478-5	. SHELF ASSY			01 R
8	3940478-6	. . SHELF			01 R
9	MS21047L08	. . NUTPLATE			04 R
- 10	3940478-8	. DOUBLER ASSY-GPS ANTENNA			01 R
11	3940478-9	. . DOUBLER-GPS ANTENNA			01 R
12	MS21047L06	. . NUTPLATE			04 R

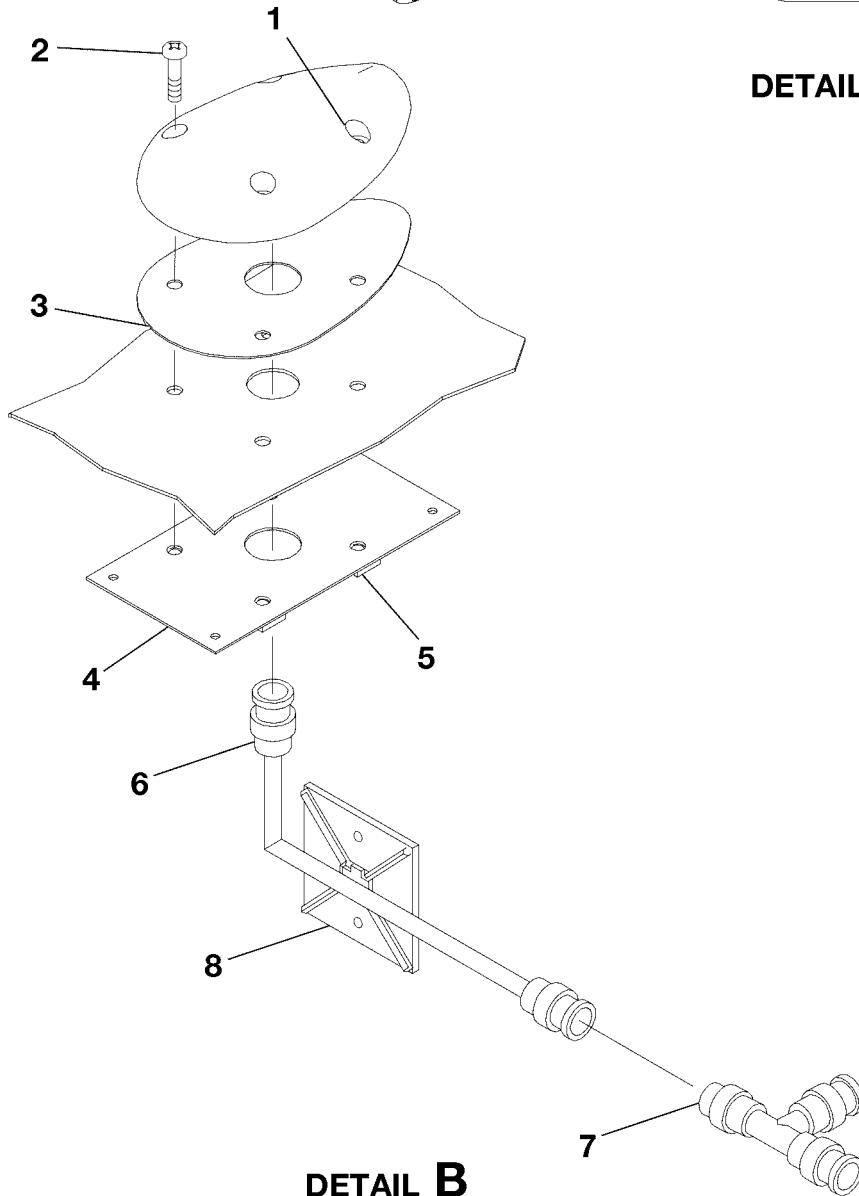
- ITEM NOT ILLUSTRATED

CESSNA AIRCRAFT COMPANY
MODEL 172 (SERIES 1996 AND ON)
ILLUSTRATED PARTS CATALOG

B336



DETAIL A



DETAIL B

GLOBAL POSITIONING SYSTEM (GPS) INSTALLATION
FIGURE 01 (SHEET 1)

0510T1007
A0518T1003
B0518T1044

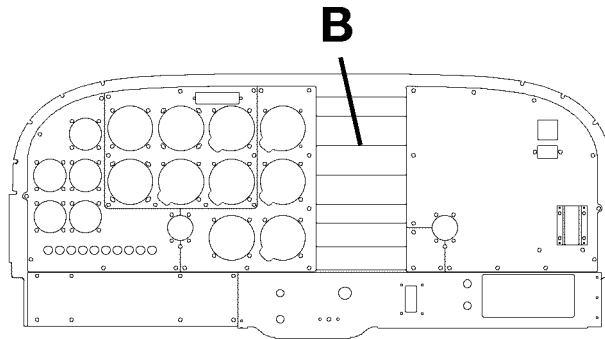
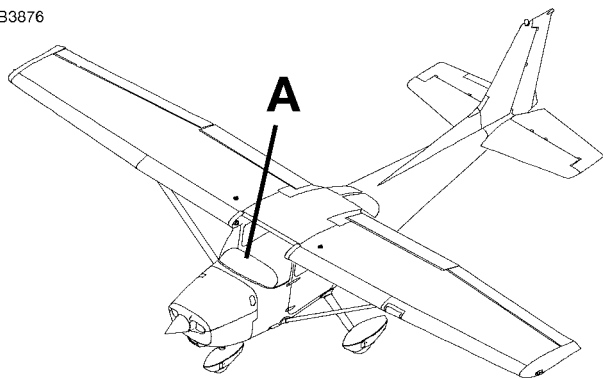
CESSNA AIRCRAFT COMPANY
MODEL 172 (SERIES 1996 AND ON)
ILLUSTRATED PARTS CATALOG

FIG ITEM	PART NUMBER	NOMENCLATURE	UNITS	
			PER	ASSY
01		GLOBAL POSITIONING SYSTEM (GPS) INSTALLATION		RF
-				
1	071-01553-0200	. ANTENNA-GPS FSO 071-01620-0001 V22373		NP R
- 1A	071-01620-0001	. KA-96 GPS ANTENNA V22373		01 R
2	MS51957-47	. SCREW		04
3	187-01831-0000	. CONDUCTIVE GASKET V22373		01
4	0511816-2	. DOUBLER-GPS ANTENNA		01
5	MS21059L08	. . NUTPLATE		04
6	22555-6	. COAX CONNECTOR V00779		01
7	071-01566-0000	. FILTER-USED WITH NAV 1 PACKAGE		02
8	S2606-1	. MOUNT		02
9	MD41-24P(28K)	. RELAY KIT USED WITH HSI 172 80694	& ON	01
- 9A	MD41-24P(28K)	. RELAY KIT USED WITH HSI 172S 08113	& ON	01
10	S3294-7-6G1	. SCREW		AR
- 11	CI420-10	. ANTENNA-XM 172 REFER TO NOTE 1 V51351	81441 & ON	01
- 11A	CI420-10	. ANTENNA-XM 172S REFER TO NOTE 1 V51351	10601 & ON	01
- 12	MS51957-47	. SCREW REFER TO NOTE 1		04
- 13	B24809	. GASKET REFER TO NOTE 1 V51351		01

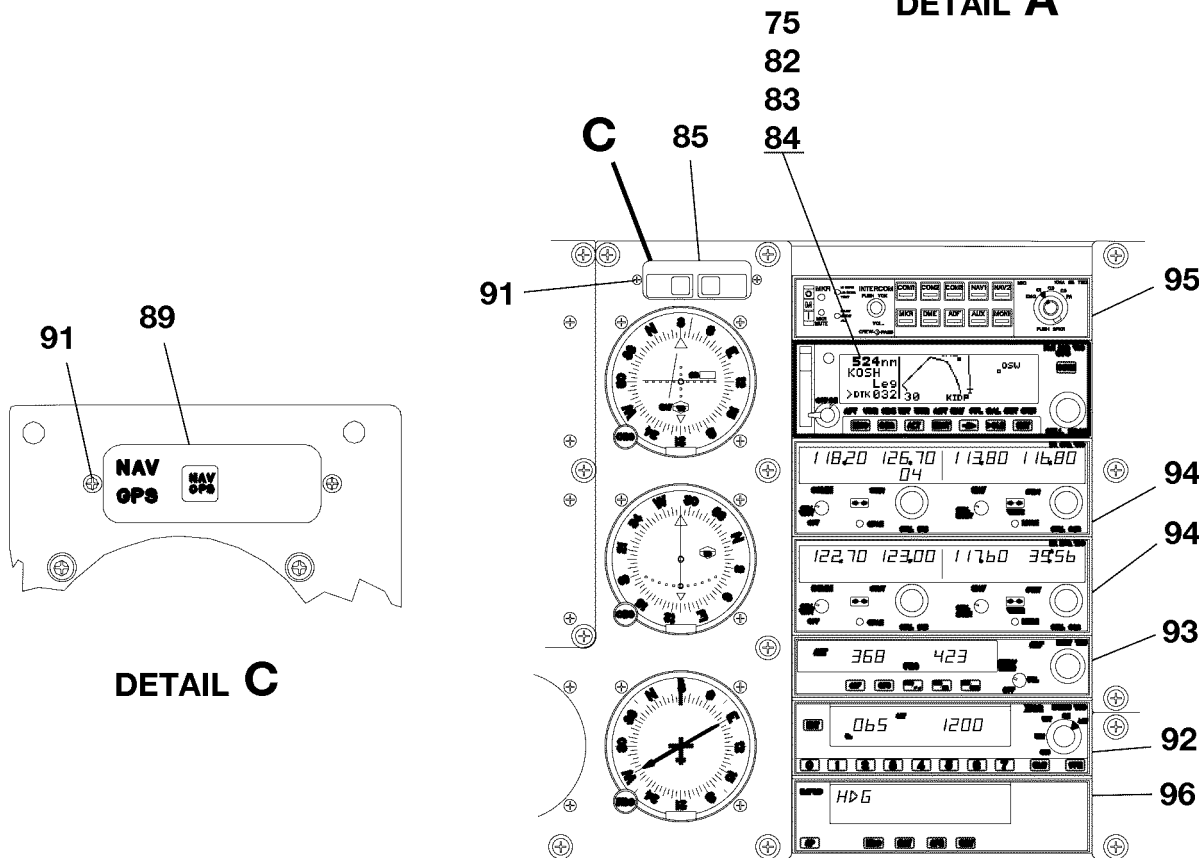
NOTE 1—AIRPLANES 17281441 AND ON, AIRPLANES 172S10601 AND ON, AND AIRPLANES 17281241 THRU 81356 AND AIRPLANES 1729810 THRU 10431 INCORPORATING SB07-34-07

CESSNA AIRCRAFT COMPANY
MODEL 172 (SERIES 1996 AND ON)
 ILLUSTRATED PARTS CATALOG

B3876



DETAIL A



DETAIL C

DETAIL B

GLOBAL POSITIONING SYSTEM (GPS) INSTALLATION
 FIGURE 01 (SHEET 2)

0510T1007
 A0518T1003
 B0518T1033
 C0518T1117

CESSNA AIRCRAFT COMPANY

MODEL 172 (SERIES 1996 AND ON)

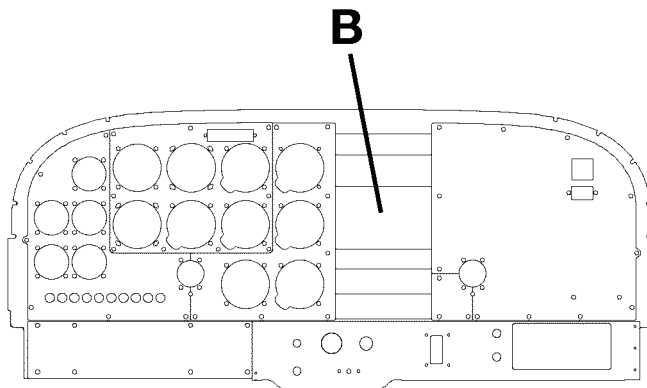
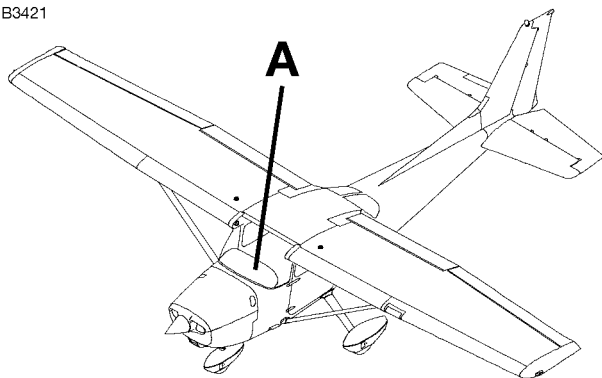
ILLUSTRATED PARTS CATALOG

FIG ITEM	PART NUMBER	NOMENCLATURE	UNITS PER ASSY
	1 2 3 4 5 6 7		
01			
75	066-01148-1111	RECEIVER-KLN89 GPS 172 V22373	80001 80983 01
- 75A	066-01148-1111	RECEIVER-KLN89 GPS 172S V22373	08001 08703 01
- 76	069-01034-0101	RECEIVER-KLN94 GPS 172 V22373	80978 81064 01
- 76A	069-01034-0101	RECEIVER-KLN94 GPS 172S V22373	08687 08884 01
- 76B	069-01034-0102	RECEIVER-KLN94 GPS 172	81169 81227 01
- 76C	069-01034-0102	RECEIVER-KLN94 GPS 172S	09368 09721 01
- 77	S3100-232	RECEIVER-KLN94 GPS REF 069-01034-0101 SERIAL NO. 3900 & ON 172	81065 81162 01
- 77A	S3100-232	RECEIVER-KLN94 GPS REF 069-01034-0101 SERIAL NO. 3900 & ON 172S	08885 09367 01
- 77B	S3100-373	RECEIVER-KLN94 GPS REF 069-01034-0102 (MOD 1 & ON) (BOOT SW01/02) 172	81228 & ON 01
- 77C	S3100-373	RECEIVER-KLN94 GPS REF 069-01034-0102 (MOD 1 & ON) (BOOT SW01/02) 172S	09722 & ON 01
- 78	S3100-104	RECEIVER-KLN89B GPS OPTION REF 066-01148-0101 SOFTWARE MOD 01/05 172	80603 80983 01
- 78A	S3100-104	RECEIVER-KLN89B GPS OPTION REF 066-01148-0101 SOFTWARE MOD 01/05 172S	08001 08703 01
- 79	S3100-130	RECEIVER-KLN89B GPS OPTION REF 066-01148-0101 SOFTWARE MOD 01/06 ONLY 172	80702 80709 01
- 79A	S3100-130	RECEIVER-KLN89B GPS OPTION REF 066-01148-0101 SOFTWARE MOD 01/06 ONLY 172S	08121 08148 01
- 80	066-01148-0102	RECEIVER-KLN89B GPS W/R NAV OPTION 172	80710 80977 01
- 80A	066-01148-0102	RECEIVER-KLN89B GPS W/R NAV OPTION 172S	08149 08686 01
- 81	3930441-1	ALT ALERT DISABLE OPTION 172S	08348 08703 01
82	047-10434-003	TRAY V22373	01
83	MS24693-S27	SCREW	04
84	S1477-06	NUT	04
85	MD41-228	SELECTOR-GPS NAV II 172	80001 80983 01
- 85A	MD41-228	SELECTOR-GPS NAV II 172S	08001 08703 01
- 86	MD41-229	SELECTOR-GPS NAV SELECTOR NAV II W/HSI 172	80694 80983 01
- 86A	MD41-229	SELECTOR-GPS NAV SELECTOR NAV II W/HSI 172S	08113 08703 01
- 87	MD41-233	SELECTOR-GPS NAV SELECTOR NAV II W/HSI 172	80984 81097 01
- 87A	MD41-233	SELECTOR-GPS NAV SELECTOR NAV II W/HSI 172S	08704 09062 01
- 88	MD41-231	SELECTOR-GPS NAV SELECTOR NAV II W/ADF 172	80984 81097 01
- 88A	MD41-231	SELECTOR-GPS NAV SELECTOR NAV II W/ADF 172S	08704 09062 01
89	CSEGPS-01-L1	SELECTOR-GPS NAV SELECTOR NAV II W/MFD/ADF	81098 & ON 01
- 89A	CSEGPS-01-L1	SELECTOR-GPS NAV SELECTOR NAV II W/MFD/ADF	09063 & ON 01
- 90	CSEGPS-01-L2	SELECTOR-GPS NAV SELECTOR NAV II W/HMA	81098 & ON 01
- 90A	CSEGPS-01-L2	SELECTOR-GPS NAV SELECTOR NAV II W/HMA	09063 & ON 01
91	S3484-4-8G1	SCREW	02
92		CABLE ASSY KLN89 GPS USED WITH NAV 1 PKG REFER TO WIRING DIAGRAM MANUAL	RF
93	050-03612-0000	DATA LOADER KIT V22373	01
94		VHF NAV REFER TO 34-50-00 FIGURE 01	RF
95		CONTROL DISPLAY REFER TO 23-50-00 FIGURE 01	RF
96		AUTOPILOT REFER TO 22-10-00 FIGURE 01	RF
- 97	3910313-2	DATA CARD-KLN PACIFIC 172	80978 & ON 01
- 97A	3910313-2	DATA CARD-KLN PACIFIC 172S	08687 & ON 01
- 98	071-00163-0102	DATA CARD-KLN PACIFIC 172	01
- 98A	071-00163-0102	DATA CARD-KLN PACIFIC 172S	01
- 99	3910100-2	DATA CARD-GPS PACIFIC 172	80001 80977 01
- 99A	3910100-2	DATA CARD-GPS PACIFIC 172S	08001 08686 01
- 100	071-00094-0102	DATABASE-GPS 172 V22373	01
- 100A	071-00094-0102	DATABASE-GPS 172S V22373	01
- 101	3910313-1	DATA CARD-GPS ATLANTIC 172	80978 & ON 01
- 101A	3910313-1	DATA CARD-GPS ATLANTIC 172S	08687 & ON 01
- 102	071-00163-0102	DATA CARD-GPS ATLANTIC 172	01
- 102A	071-00163-0102	DATA CARD-GPS ATLANTIC 172S	01
- 103	3910100-1	DATA CARD-GPS ATLANTIC 172	80001 80977 01
- 103A	3910100-1	DATA CARD-GPS ATLANTIC 172S	08001 08686 01
- 104	071-00094-0101	DATABASE 172-GPS V22373	01
- 104A	071-00094-0101	DATABASE 172S-GPS V22373	01
- 105	071-00163-0103	DATA CARD-GPS N AMERICA 172 V22373	80978 & ON 01
- 105A	071-00163-0103	DATA CARD-GPS N AMERICA 172S V22373	08687 & ON 01
- 106	071-00094-0103	DATASET 172	80001 80983 01
- 106A	071-00094-0103	DATASET 172S	08001 08703 01
- 107	3910314-1	DATA CARD-KMD-540 ATLANTIC INST 172	80984 & ON 01
- 107A	3910314-1	DATA CARD-KMD-540 ATLANTIC INST 172S	08704 & ON 01
- 108	3910314-2	DATA CARD-KMD-540 PACIFIC INST 172	80984 & ON 01
- 108A	3910314-2	DATA CARD-KMD-540 PACIFIC INST 172S	08704 & ON 01

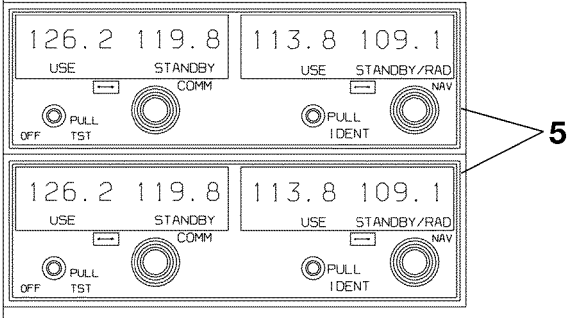
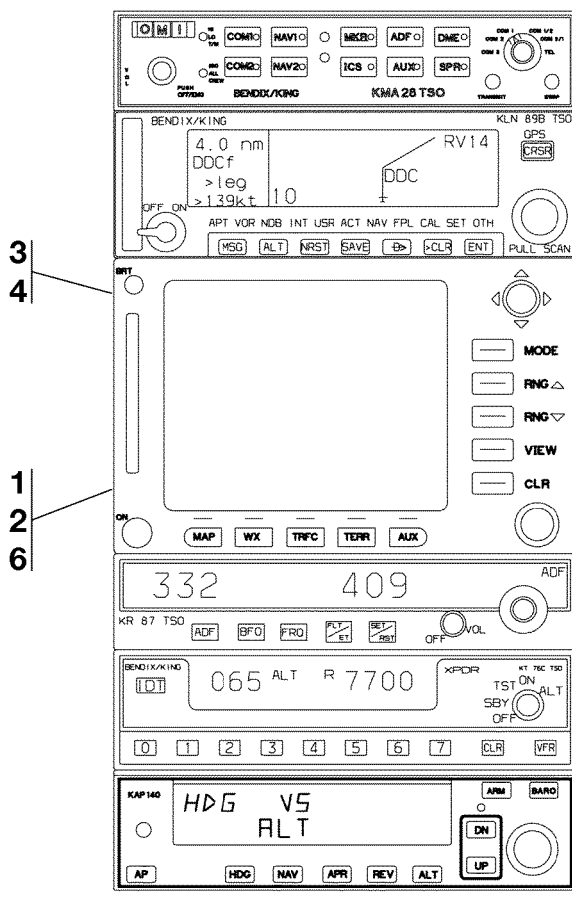
- ITEM NOT ILLUSTRATED

CESSNA AIRCRAFT COMPANY
MODEL 172 (SERIES 1996 AND ON)
 ILLUSTRATED PARTS CATALOG

B3421



DETAIL A



DETAIL B

AIRPLANES 17280984 AND ON AND
 AIRPLANES 172S8704 AND ON
 MULTIFUNCTION DISPLAY (MFD) UNIT INSTALLATION
 FIGURE 01 (SHEET 1)

0510T1007
 A0518T1003
 B0518T1081

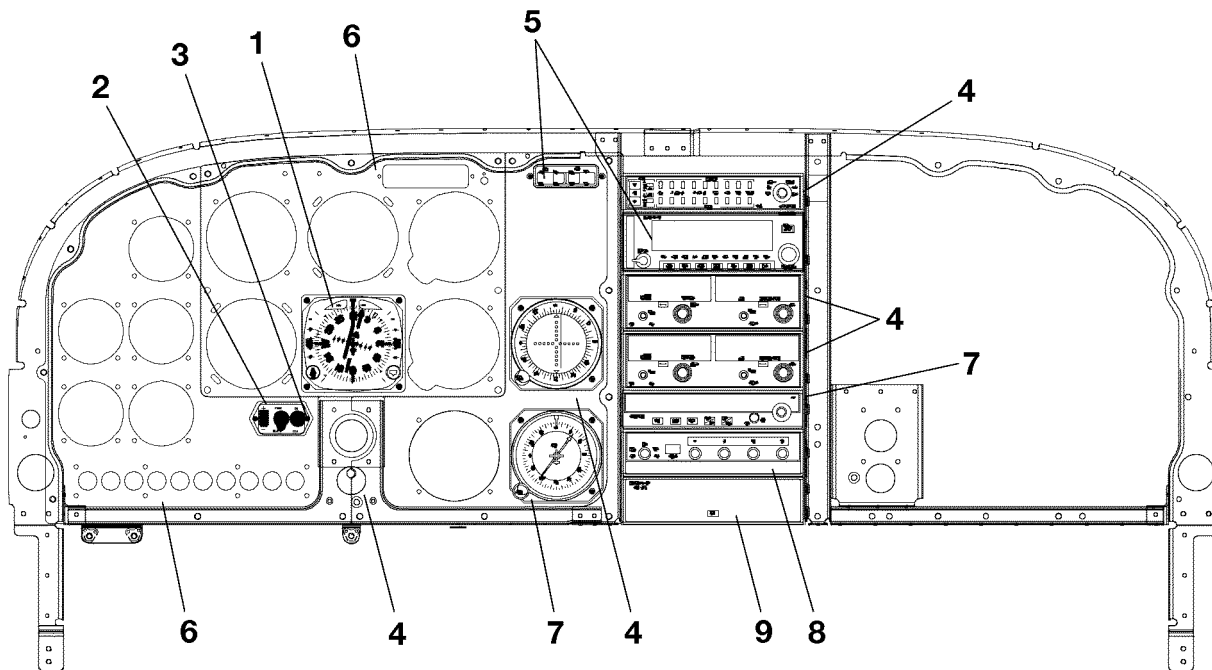
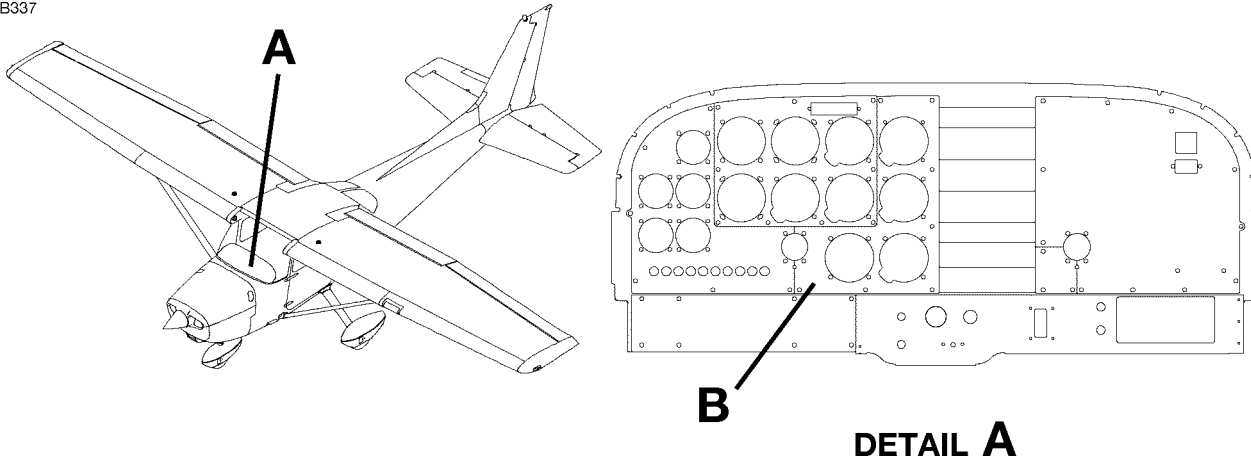
CESSNA AIRCRAFT COMPANY
MODEL 172 (SERIES 1996 AND ON)
 ILLUSTRATED PARTS CATALOG

FIG ITEM	PART NUMBER	NOMENCLATURE	UNITS PER ASSY		
			1	2	3
01					
-		MULTIFUNCTION DISPLAY (MFD) UNIT INSTALLATION	80984	& ON	RF
			08704	& ON	
1	3910310-20	. DISPLAY-KMD-540 MULTI FUNCTION			01
2	3910310-21	. DISPLAY DATA CARD-KMD-540 MULTI FUNCTION			01
3	MS24693-S27	. SCREW			04
4	S1477-06	. NUT			04
5		. VHF NAVIGATION SYSTEM REFER TO 34-50-00 FIGURE 01			RF R
6		. CABLE SYSTEM MULTIFUNCTION DISPLAY REFER TO WIRE DIAGRAM MANUAL			RF

- ITEM NOT ILLUSTRATED

CESSNA AIRCRAFT COMPANY
MODEL 172 (SERIES 1996 AND ON)
 ILLUSTRATED PARTS CATALOG

B337



DETAIL B

HORIZONTAL SITUATION INDICATOR (HSI) INSTALLATION
 FIGURE 01 (SHEET 1)

0510T1007
 A0518T1003
 B0518T1066

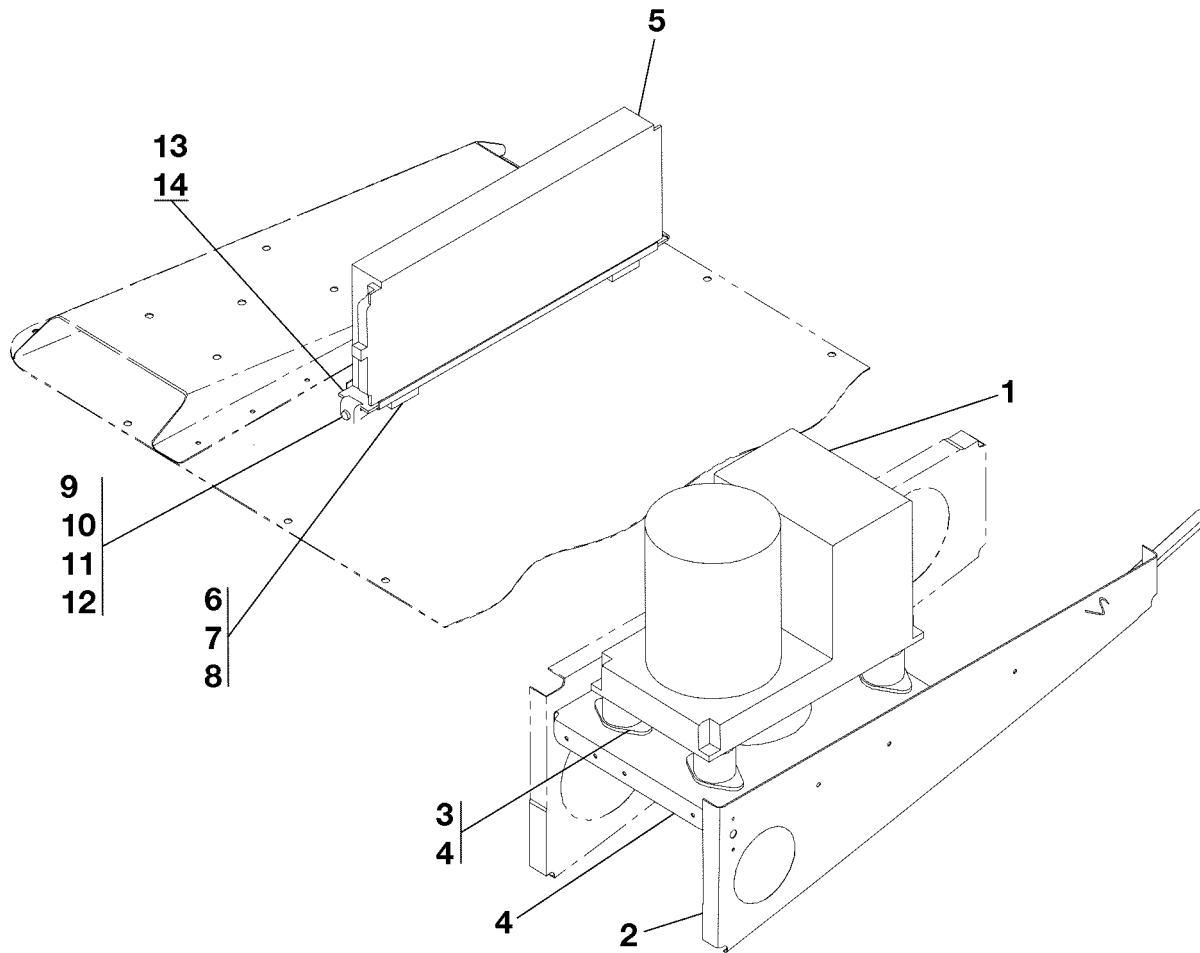
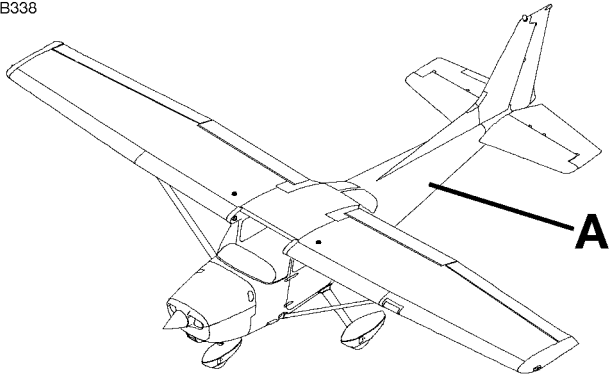
CESSNA AIRCRAFT COMPANY
MODEL 172 (SERIES 1996 AND ON)
 ILLUSTRATED PARTS CATALOG

FIG ITEM	PART NUMBER	NOMENCLATURE	UNITS PER ASSY	
			1 2 3 4 5 6 7	
01		HORIZONTAL SITUATION INDICATOR (HSI) INSTALLATION		RF R
-				
1	066-3046-07	. INDICATOR-HSI 172	80984	& ON 01
- 1A	066-3046-07	. INDICATOR-HSI 172S	08704	& ON 01
- 1B	066-03046-0007	. INDICATOR-HSI ALT FOR 066-3046-07		01
2	071-1242-06	. SLAVING ACCESSORY-HSI 172	80984	& ON 01
- 2A	071-1242-06	. SLAVING ACCESSORY-HSI 172S	08704	& ON 01
- 2B	071-01242-0006	. SLAVING ACCESSORY-HSI ALT FOR 071-1242-06		01
3	S3294-4-8G1	. SCREW		02
4		. AUDIO WIRE DUCT/CLAMP REFER TO 34-50-00 FIGURE 01		RF
5		. GPS REFER TO 34-51-00 FIGURE 01		RF
6		. PANELS REFER TO 31-00-00 FIGURE 01		RF
7		. ADF REFER TO 34-50-01 FIGURE 01		RF
8		. TRANSPONDER REFER TO 34-50-01 FIGURE 01		RF
9		. FLIGHT COMPUTER REFER TO 22-10-00 FIGURE 01		RF
- 10		. CABLE ASSY REFER TO WIRING DIAGRAM MANUAL		RF

- ITEM NOT ILLUSTRATED

CESSNA AIRCRAFT COMPANY
MODEL 172 (SERIES 1996 AND ON)
ILLUSTRATED PARTS CATALOG

B338



DETAIL A

HORIZONTAL SITUATION INDICATOR (HSI)-NAV CONVERTER AND DIRECTIONAL GYRO
FIGURE 02 (SHEET 1)

0510T1007
A0514T1027

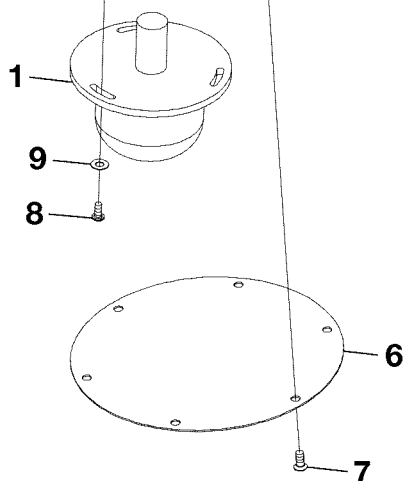
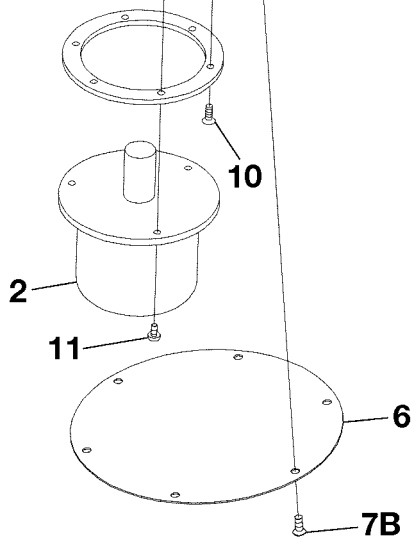
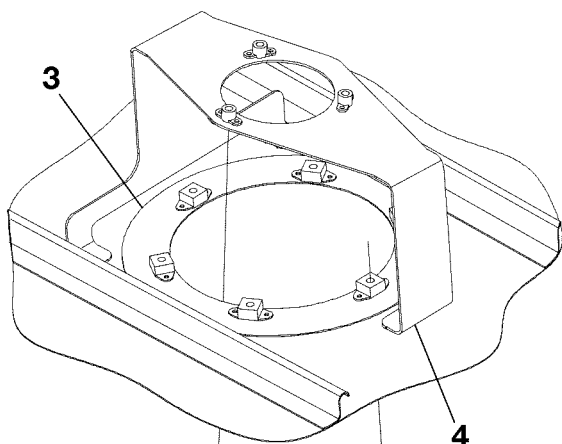
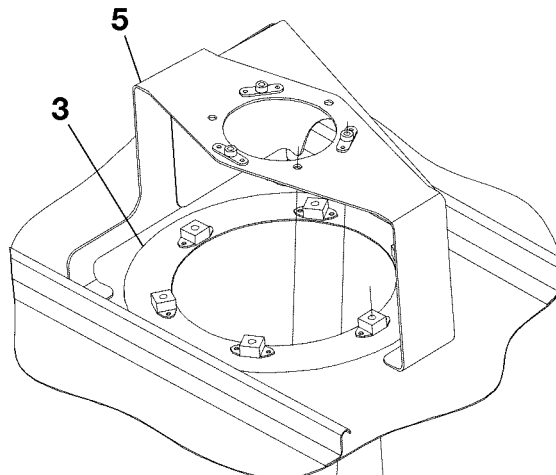
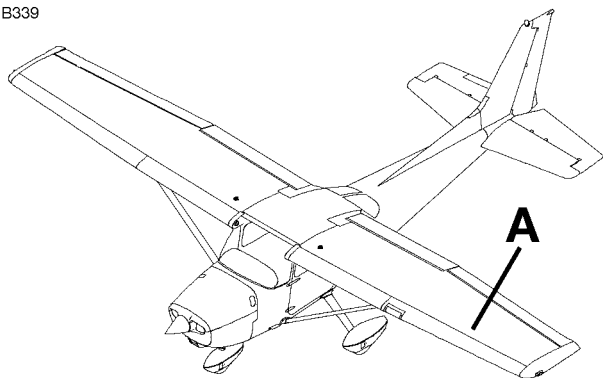
CESSNA AIRCRAFT COMPANY
MODEL 172 (SERIES 1996 AND ON)
 ILLUSTRATED PARTS CATALOG

FIG ITEM	PART NUMBER	NOMENCLATURE	UNITS PER ASSY	
			1 2 3 4 5 6 7	
02		HORIZONTAL SITUATION INDICATOR (HSI)-NAV CONVERTER AND		RF R
-		DIRECTIONAL GYRO		
1	060-0015-00	. DIRECTIONAL GYRO ALT 060-00015-0000	V22373	01
2	0512249-1	. BRACKET ASSY		01
- 2A	MS21069L06	. . NUTPLATE		08
3	MS35206-229	. SCREW		08
4	NAS1149DN616K	. WASHER		08
5	066-4009-00	. NAV CONVERTER-KN72 172	V22373 80694 81097	01
- 5A	066-4009-00	. NAV CONVERTER-KN72 172S	V22373 08113 09062	01
6	050-01555-0002	. MOUNTING RACK-KN72 172	V22373 80694 81097	01
- 6A	050-01555-0002	. MOUNTING RACK-KN72 172S	V22373 08113 09062	01
7	047-04218-0001	. SPACER	V22373	02
8	089-05442-0010	. SCREW		04
9	089-05529-0032	. SCREW		AR
10	075-00021-0001	. CLAMP		AR
11	089-08111-0034	. WASHER		AR
12	078-00054-0000	. SPRING		AR
13	047-04219-0001	. NAV CONVERTER TRAY	V22373	01
14	MS21059-08	. NUTPLATE 172	80694 81097	04
- 14A	MS21059-08	. NUTPLATE 172S	08113 09062	04

- ITEM NOT ILLUSTRATED

CESSNA AIRCRAFT COMPANY
MODEL 172 (SERIES 1996 AND ON)
 ILLUSTRATED PARTS CATALOG

B339



DETAIL A
 WITH NAV III

DETAIL A

HORIZONTAL SITUATION INDICATOR (HSI)-FLUX DETECTOR
 FIGURE 03 (SHEET 1)

0510T1007
 A0518T1134
 A0518T1110

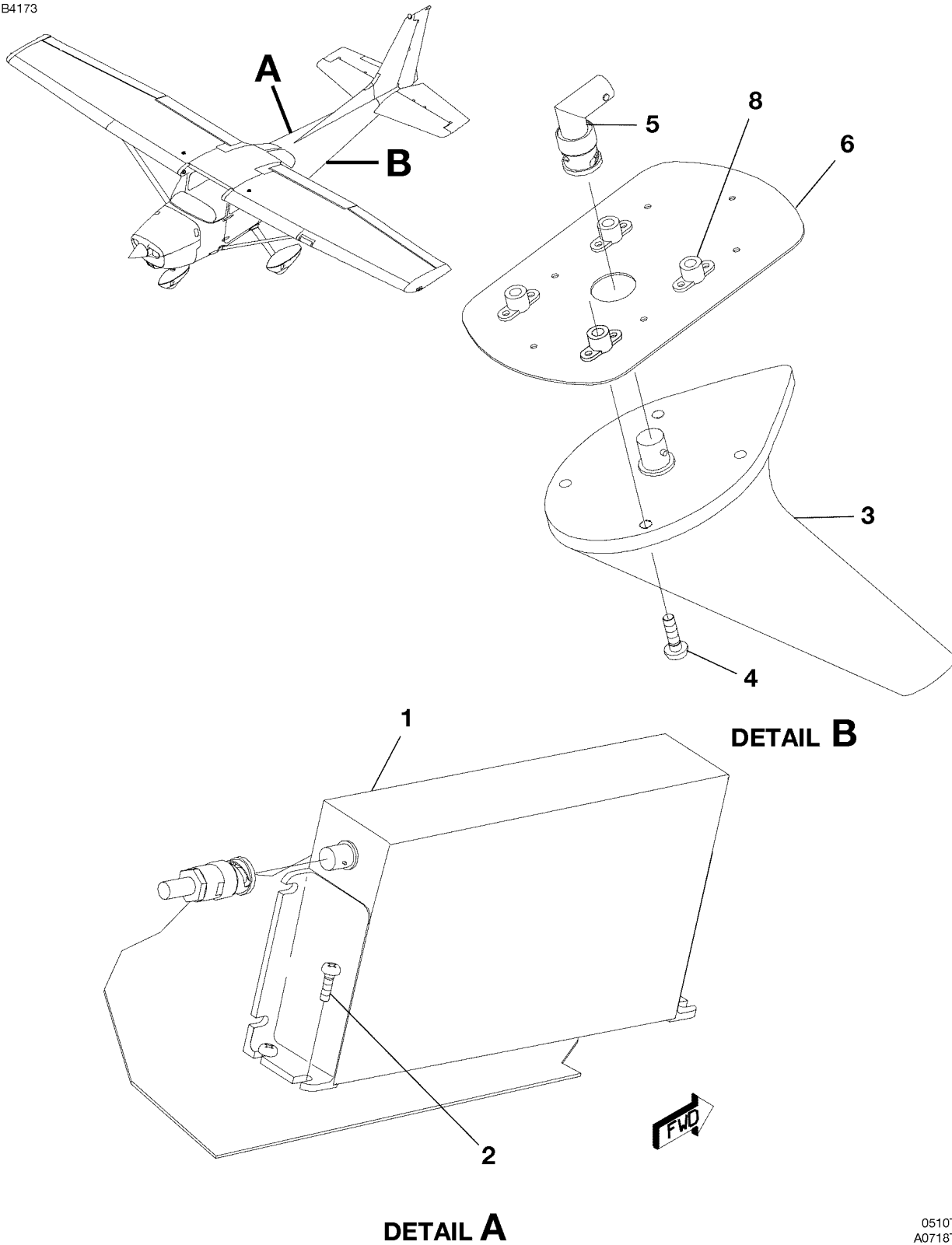
CESSNA AIRCRAFT COMPANY
MODEL 172 (SERIES 1996 AND ON)
 ILLUSTRATED PARTS CATALOG

FIG ITEM	PART NUMBER	NOMENCLATURE	UNITS PER ASSY	
			1 2 3 4 5 6 7	
03		HORIZONTAL SITUATION INDICATOR (HSI)-FLUX DETECTOR		RF R
- 1	071-1052-00	. FLUX DETECTOR 172	80694	& ON 01
- 1A	071-1052-00	. FLUX DETECTOR 172S	08113	& ON 01
- 2	011-00870-00	. MAGNETOMETER-NAV III 172	V0TRC3 81241	81449 01 R
- 2A	011-00870-00	. MAGNETOMETER-NAV III 172S	V0TRC3 09810	10609 01 R
- 2B	S3100-484	. MAGNETOMETER-NAV III 172	81450	& ON 01 R
- 2C	S3100-484	. MAGNETOMETER-NAV III 172S	10610	& ON 01 R
- 3	1222021-3	. DOUBLER ASSY		01
- 4	0522649-1	. BRACKET ASSY-FLUX DETECTOR 172	80694	& ON 01
- 4A	0522649-1	. BRACKET ASSY-FLUX DETECTOR 172S	08113	& ON 01
- 5	0522649-3	. BRACKET ASSY-FLUX DETECTOR NAV III 172	81241	& ON 01
- 5A	0522649-3	. BRACKET ASSY-FLUX DETECTOR NAV III 172S	09810	& ON 01
- 6	1222022-1	. PLATE		01
- 7	MS24693BB48	. SCREW 172	80694	& ON 06
- 7A	MS24693BB48	. SCREW 172S	08113	& ON 06
- 7B	MS24693-BB48	. SCREW-NAV III 172	81241	& ON 06
- 7C	MS24693-BB48	. SCREW- NAV III 172S	09810	& ON 06
- 8	MS51957-29	. SCREW 172	80694	& ON 03
- 8A	MS51957-29	. SCREW 172S	08113	& ON 03
- 9	NAS1149DN816K	. WASHER 172	80694	& ON 03
- 9A	NAS1149DN816K	. WASHER 172S	08113	& ON 03
- 10	MS24693-BB26	. SCREW-NAV III 172	81241	& ON 03
- 10A	MS24693-BB26	. SCREW-NAV III 172S	09810	& ON 03
- 11	MS35214-23	. SCREW-NAV III 172	81241	& ON 03
- 11A	MS35214-23	. SCREW-NAV III 172S	81241	& ON 03
- 12	115-00481-00	. MOUNTING RACK-NAV III 172	V0TRC3 81241	& ON 01 R
- 13	115-00481-00	. MOUNTING RACK-NAV III 172S	V0TRC3 09810	& ON 01 R

- ITEM NOT ILLUSTRATED

CESSNA AIRCRAFT COMPANY
MODEL 172 (SERIES 1996 AND ON)
ILLUSTRATED PARTS CATALOG

B4173



DETAIL A

FLIGHT INFORMATION SERVICES (FIS) RECEIVER AND ANTENNA INSTALLATION
FIGURE 04 (SHEET 1)

0510T1007
A0718T1046
B0718T1047

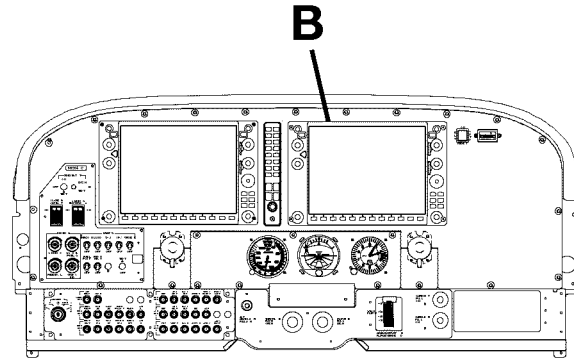
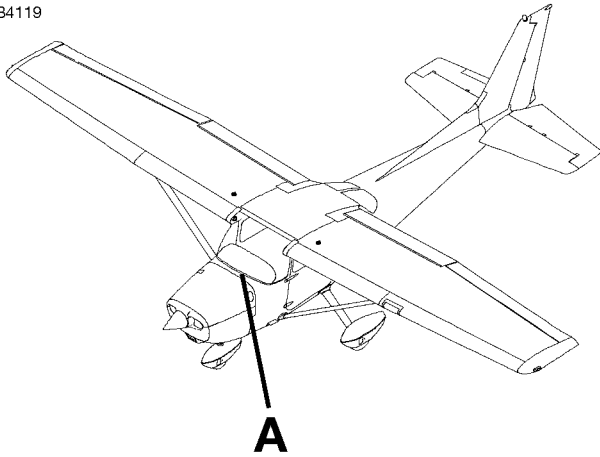
CESSNA AIRCRAFT COMPANY
MODEL 172 (SERIES 1996 AND ON)
 ILLUSTRATED PARTS CATALOG

FIG ITEM	PART NUMBER	NOMENCLATURE	UNITS		
			PER	ASSY	
04		FLIGHT INFORMATION SERVICES (FIS) RECEIVER AND ANTENNA	81201	& ON	RF R
-		INSTALLATION	09569	& ON	
1	064-01088-0101	. RECEIVER-KDR510 VDL V22373			01 R
		ATTACHING PARTS			
2	MS27039-0808	. SCREW			04
		—*—			
3	FIS10-751	. ANTENNA			01
		ATTACHING PARTS			
4	MS27039C0808	. SCREW			04
5	UG306B/U	. ADAPTER-COAX			01
		—*—			
6	0711860-5	. DOUBLER ASSY-FIS ANTENNA FSO 0711860-7 172	81201	81271	NP
- 6A	0711860-5	. DOUBLER ASSY-FIS ANTENNA FSO 0711860-7 172S	09569	10101	NP
- 6B	0711860-7	. DOUBLER ASSY-FIS/DME ANTENNA 172	81272	& ON	01
- 6C	0711860-7	. DOUBLER ASSY-FIS/DME ANTENNA 172S	10102	& ON	01
- 7	0711860-6	. . DOUBLER-FIS ANTENNA FSO 0711860-8 172	81201	81271	NP
- 7A	0711860-6	. . DOUBLER-FIS ANTENNA FSO 0711860-8 172S	09569	10101	NP
- 7B	0711860-8	. . DOUBLER-FIS/DME ANTENNA 172	81272	& ON	01
- 7C	0711860-8	. . DOUBLER-FIS/DME ANTENNA 172S	10102	& ON	01
8	MS21069L08	. . NUTPLATE			01

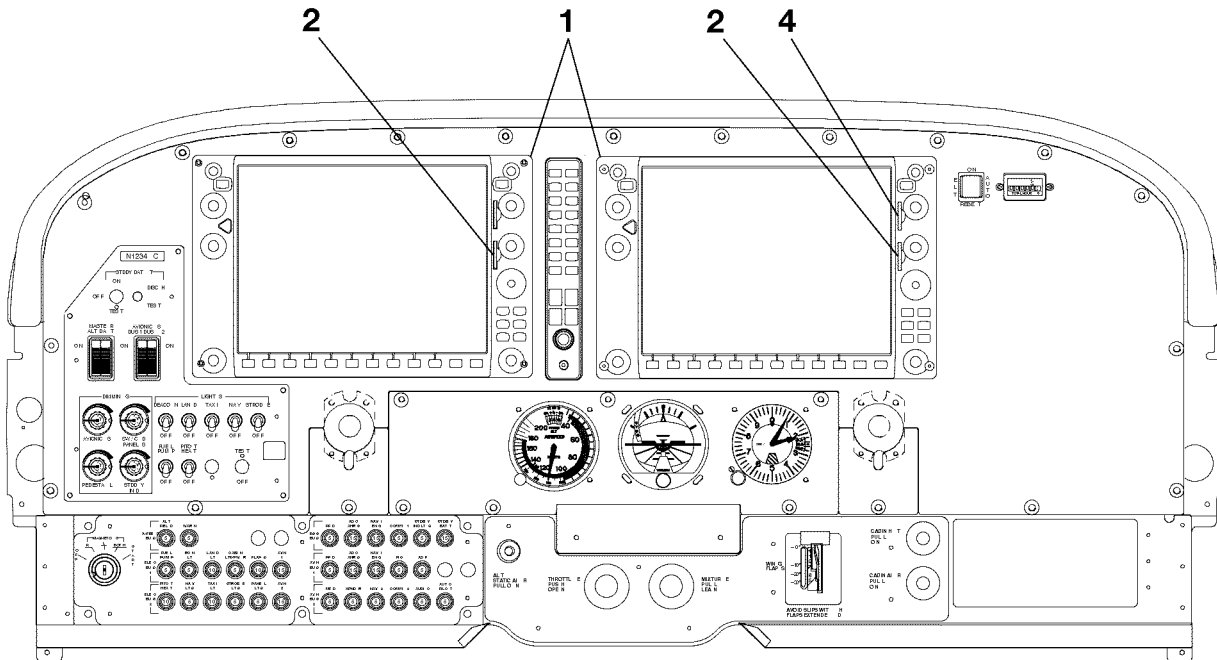
- ITEM NOT ILLUSTRATED

CESSNA AIRCRAFT COMPANY
MODEL 172 (SERIES 1996 AND ON)
 ILLUSTRATED PARTS CATALOG

B4119



DETAIL A



DETAIL B

DISPLAY UNIT INSTALLATION - NAV III
 FIGURE 01 (SHEET 1)

0510T1007
 A0518T1120
 B0518T1120

CESSNA AIRCRAFT COMPANY

MODEL 172 (SERIES 1996 AND ON)

ILLUSTRATED PARTS CATALOG

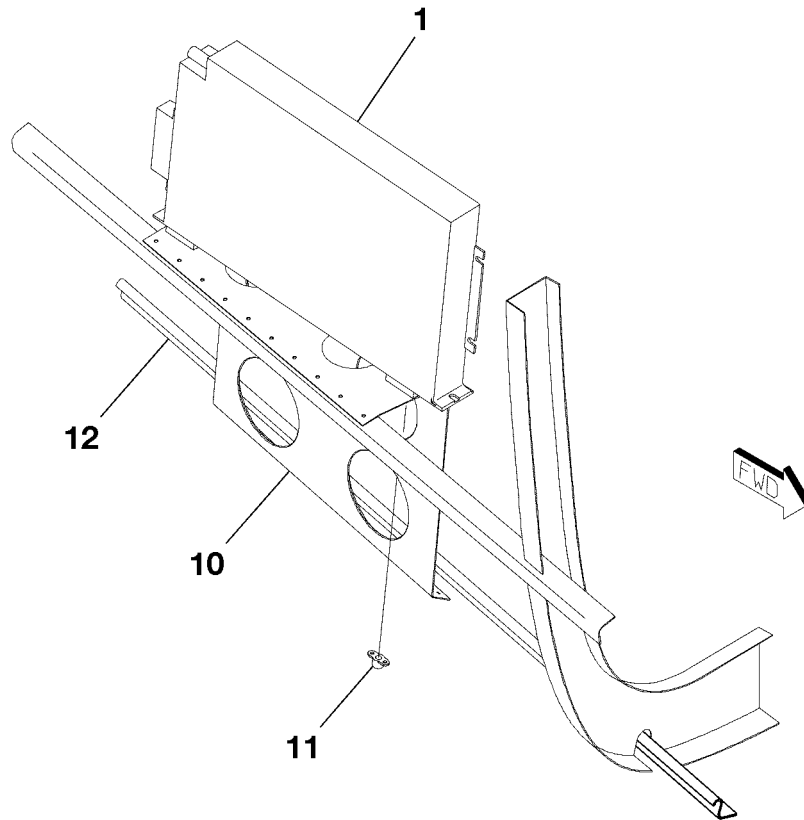
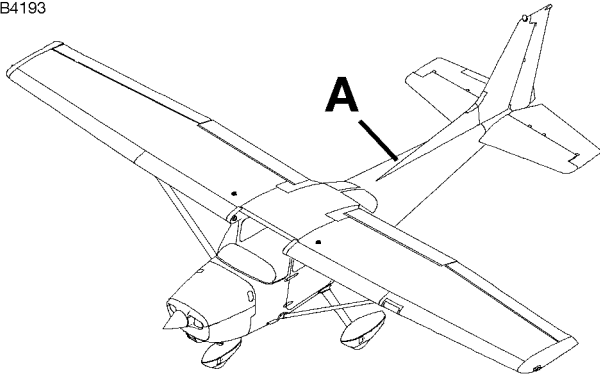
FIG ITEM	PART NUMBER	NOMENCLATURE	UNITS	
			PER	ASSY
		1 2 3 4 5 6 7		
01		DISPLAY UNIT INSTALLATION - NAV III		RF
-		. DISPLAY UNIT-PFD 172 FSO S3100-619	V0TRC3 81241	81272 NP R
1	011-00972-00	. DISPLAY UNIT-PFD 172S FSO S3100-619	V0TRC3 09810	10102 NP R
- 1A	011-00972-00	. DISPLAY UNIT-GDU-1040 172 FSO S3100-619	V0TRC3 81273	81396 NP R
- 1B	011-00972-03	. DISPLAY UNIT-GDU-1040 172S FSO S3100-619	V0TRC3 10103	10509 NP R
- 1C	011-00972-03	. DISPLAY UNIT-GDU-1040 172S FSO S3100-619	V0TRC3 10103	10509 NP R
- 1D	S3100-461	. DISPLAY UNIT-GDU-1040 172 REF 011-00972-03 (MOD 1 & ON) FSO S3100-619	81397	81573 NP R
- 1E	S3100-461	. DISPLAY UNIT-GDU-1040 172S REF P/N 011-00972-03 (MOD 1 & ON) FSO S3100-619	10510	11074 NP R
- 1F	S3100-597	. DISPLAY UNIT-GDU-1040 SPARES ONLY FSO S3100-619	V0TRC3	NP R
- 1G	S3100-557	. DISPLAY UNIT-GDU-1040 172S REF 011-00972-10 (MOD 1 ONLY) FSO S3100-616	81574	81622 NP R
- 1H	S3100-557	. DISPLAY UNIT-GDU-1040 172S REF 011-00972-10 (MOD 1 ONLY) FSO S3100-616	11075	11551 NP R
- 1J	S3100-596	. DISPLAY UNIT-GDU-1040 172S REF 011-00972-10 (MOD 2 ONLY) FSO S3100-616	11552	11724 NP R
- 1K	S3100-616	. DISPLAY UNIT-GDU-1040 172S REF 011-00972-10 (MOD 3 ONLY) FOR SPARES	11725	& ON 01 R
- 1L	S3100-462	. DISPLAY UNIT-GDU-1044B 172 REF 011-01274-00 (MOD 1 & ON) FSO S3100-620	81497	81573 NP R
- 1M	S3100-462	. DISPLAY UNIT-GDU-1044B 172S REF 011-01274-00 (MOD 1 & ON) FSO S3100-620	10656	11074 NP R
- 1N	S3100-620	. DISPLAY UNIT-GDU-1044B FOR SPARES		01 R
- 1P	S3100-558	. DISPLAY UNIT-GDU-1044B 172 REF 011-01274-10 (MOD 1 ONLY) FSO S3100-617	81574	81622 NP R
- 1Q	S3100-558	. DISPLAY UNIT-GDU-1044B 172S REF 011-01274-10 (MOD 1 ONLY) FSO S3100-617	11075	11551 NP R
- 1R	S3100-602	. DISPLAY UNIT-GDU-1044B 172S REF 011-01274-10 (MOD 2 ONLY) FSO S3100-617	11552	11724 NP R
- 1S	S3100-617	. DISPLAY UNIT-GDU-1044B 172S REF 011-01274-10 (MOD 3 ONLY) FOR SPARES	11725	& ON 01 R
- 1T	S3100-619	. DISPLAY UNIT-GDU-1040 REF 011-00972-03 (MOD 4 ONLY) FOR SPARES		01 R
2	010-00330-41	. DATA BASE CARD 172 REFER TO NOTE 1	V0TRC3 81241	81356 01
- 2A	010-00330-41	. DATA BASE CARD 172S REFER TO NOTE 1	V0TRC3 09810	10431 01
- 2B	010-00330-42	. SD CARD-GDU10XX 172 REFER TO NOTE 1	V0TRC3 81357	81544 01
- 2C	010-00330-42	. SD CARD-GDU10XX 172S REFER TO NOTE 1	V0TRC3 10432	10872 01
- 2D	010-00330-43	. SD CARD-GDU10XX 172 REFER TO NOTE 2	V0TRC3 81545	& ON 01
- 2E	010-00330-43	. SD CARD-GDU10XX 172S REFER TO NOTE 2	V0TRC3 10873	& ON 01
- 3	010-00330-54	. SVS UNLOCK DATA CARD REFER TO NOTE 2		01
4	3910317-22	. DATA LOGGING SD CARD 172	81593	& ON 01
- 4A	3910317-22	. DATA LOGGING SD CARD 172S	09048	& ON 01

NOTE 1—AIRPLANES 17281241 THRU 17281544 AND AIRPLANES 172S09810 THRU 172S10872 NOT INCORPORATING SB09-34-07.

NOTE 2—AIRPLANES 17281545 AND ON, AND AIRPLANES 172S10873 AND ON, AND AIRPLANES 17281241 THRU 17281544, AND AIRPLANES 172S09810 THRU 172S10872 INCORPORATING SB09-34-07.

CESSNA AIRCRAFT COMPANY
MODEL 172 (SERIES 1996 AND ON)
ILLUSTRATED PARTS CATALOG

B4193



0510T1007
A0518T1140

DISTANCE MEASURING EQUIPMENT (DME) INSTALLATION
FIGURE 02 (SHEET 1)

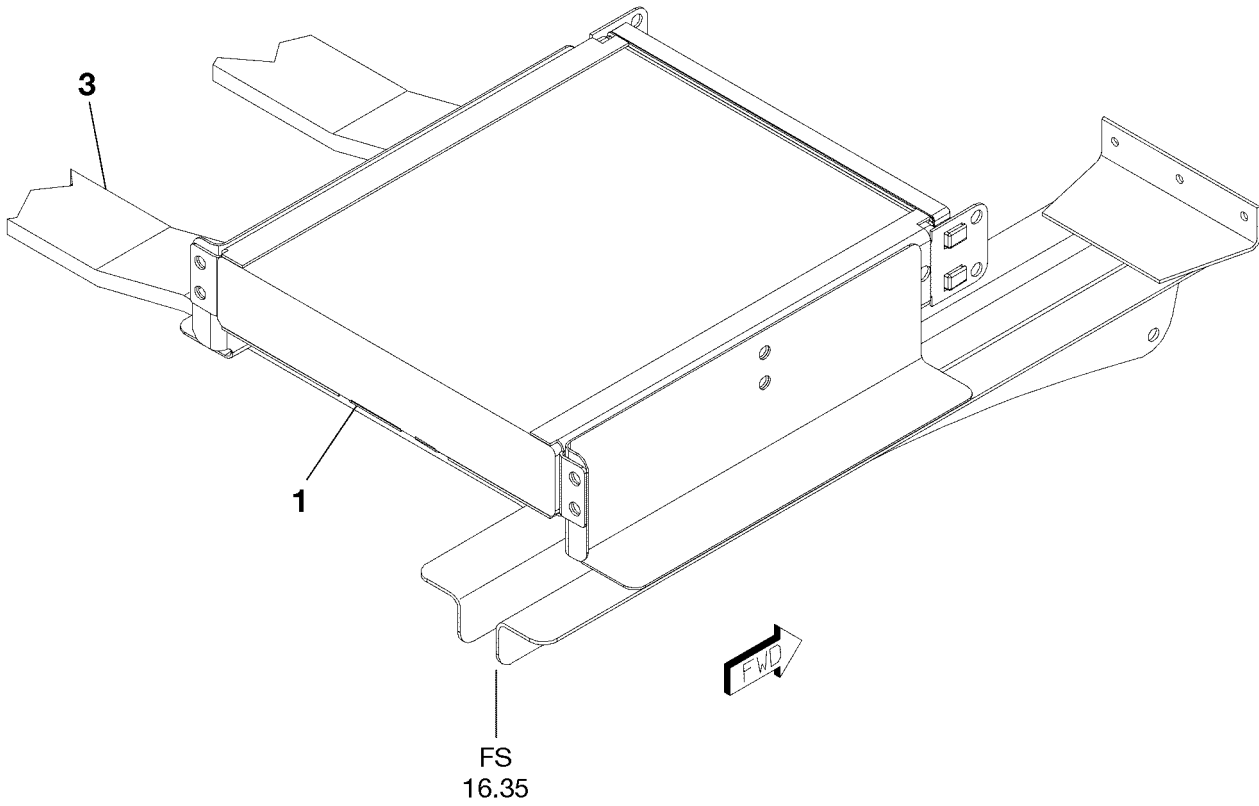
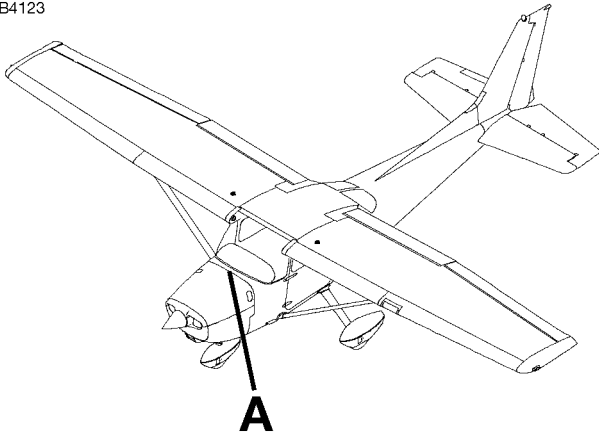
CESSNA AIRCRAFT COMPANY
MODEL 172 (SERIES 1996 AND ON)
 ILLUSTRATED PARTS CATALOG

FIG ITEM	PART NUMBER	NOMENCLATURE	UNITS PER ASSY		
			1	2	3
02					
-		DISTANCE MEASURING EQUIPMENT (DME) INSTALLATION		81272 & ON	RF R
				10102 & ON	
1	066-01070-0001	. DME-KN63 V22373			01
- 1A	066-1070-01	. DME-KN63 ALT FOR 066-01070-0001 V22373			01
		. ATTACHING PARTS			
- 2	089-8111-34	. WASHER REFER TO NOTE 1 V22373			01
- 3	089-5529-32	. SCREW REFER TO NOTE 1 V22373			01
- 4	075-0021-01	. CLAMP REFER TO NOTE 1 V22373			01
- 5	078-0054-00	. SPRING REFER TO NOTE 1 V22373			01
- 6	047-4218-01	. HOLD DOWN BAR REFER TO NOTE 1 V22373			02
- 7	047-4219-01	. RACK REFER TO NOTE 1 V22373			01
- 8	089-5442-10	. SCREW REFER TO NOTE 1 V22373			04
		. * _			
- 9	3940448-3	. SUPPORT ASSY			01
10	3940448-5	. . SUPPORT			01
11	MS21069L08	. . NUTPLATE			04
12		. STRINGER REFER TO 53-20-00 FIGURE 01			RF

NOTE 1—REFER TO VENDORS PUBLICATION FOR ATTACHING PARTS

CESSNA AIRCRAFT COMPANY
MODEL 172 (SERIES 1996 AND ON)
ILLUSTRATED PARTS CATALOG

B4123



DETAIL A

ENGINE INTERFACE INSTALLATION
FIGURE 01 (SHEET 1)

0510T1007
A0518T1130

CESSNA AIRCRAFT COMPANY
MODEL 172 (SERIES 1996 AND ON)
 ILLUSTRATED PARTS CATALOG

FIG ITEM	PART NUMBER	NOMENCLATURE	UNITS PER ASSY
	1 2 3 4 5 6 7		
01			
-		ENGINE INTERFACE INSTALLATION -NAV III	81241 & ON RF 09810 & ON
1	S3100-385	. GEA-71 ENGINE INTERFACE REF 011-00831-00(MOD 2 AND ON)	V0TRC3 01 R
- 2	115-00411-00	. MOUNTING RACK	V0TRC3 01
3		. AVIONICS SUPPORT REFER TO 53-10-00 FIGURE 03	RF
- 4	011-00796-00	. BACKPLATE ASSEMBLY	V0TRC3 01
- 5	011-00915-00	. NUTPLATE KIT	V0TRC3 02

- ITEM NOT ILLUSTRATED

CHAPTER

37

VACUUM

CESSNA AIRCRAFT COMPANY
MODEL 172 (SERIES 1996 AND ON)
ILLUSTRATED PARTS CATALOG

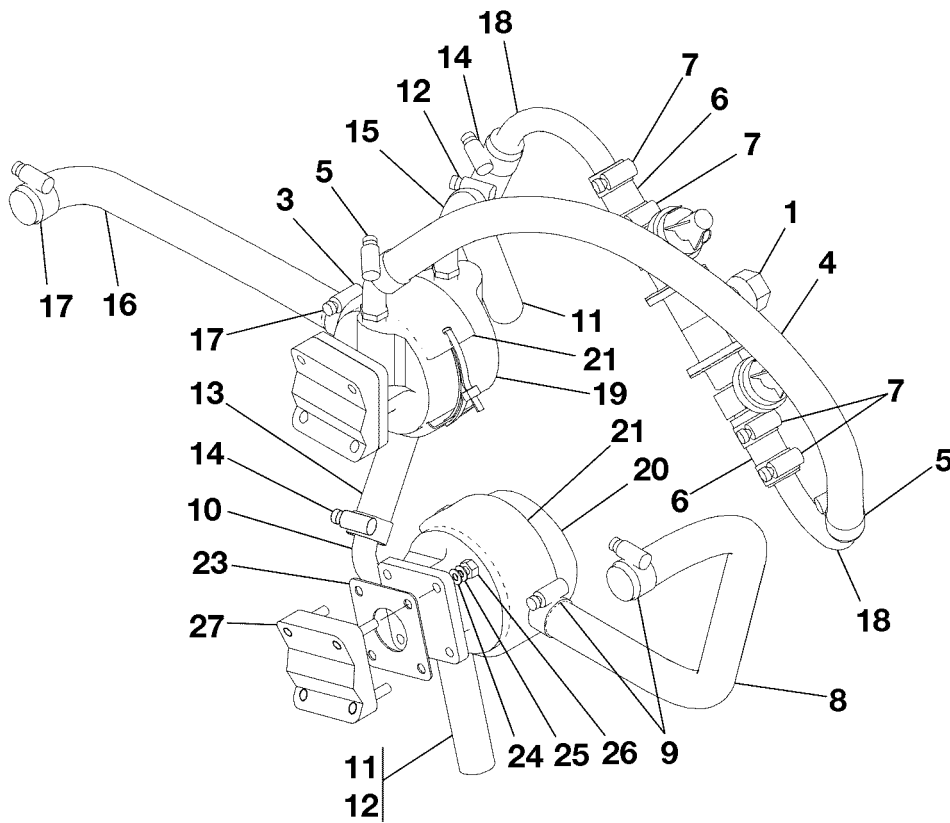
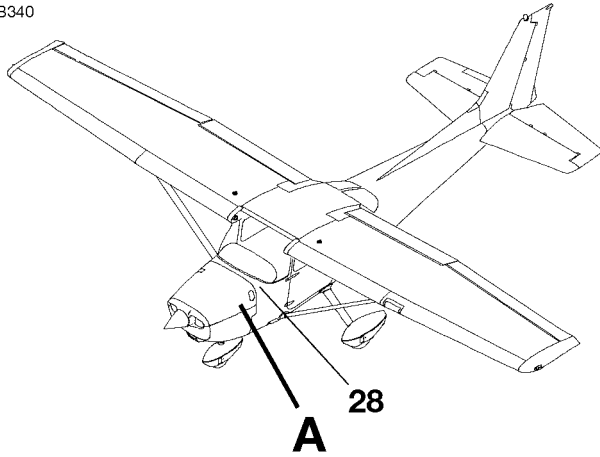
CHAPTER SECTION SUBJECT		NUMBER OF PAGES	DATE
37 - TITLE			
37 - LIST OF EFFECTIVE PAGES			
37 - RECORD OF TEMPORARY REVISIONS			
37 - TABLE OF CONTENTS			
37-10-00	Figure 01	4	Jul 1/2013
37-10-00	Figure 02	2	Jul 1/2013
37-10-00	Figure 03	2	Jul 1/2013
37-10-00	Figure 04	2	Jul 1/2016
37-10-00	Figure 05	2	Jul 1/2016
37-10-00	Figure 06	2	Jul 1/2016
37-10-00	Figure 07	2	Jul 1/2016

CESSNA AIRCRAFT COMPANY
MODEL 172 (SERIES 1996 AND ON)
 ILLUSTRATED PARTS CATALOG

<u>SUBJECT</u>	<u>CHAPTER SECTION SUBJECT</u>	<u>FIGURE</u>	<u>EFFECTIVITY</u>	
			<u>START</u>	<u>END</u>
VACUUM SYSTEM WITHOUT HSI	37-10-00	01		
VACUUM SYSTEM WITH HSI OPTION	37-10-00	02	80694 08113	81079 08921
VACUUM SYSTEM WITH HSI OPTION	37-10-00	03	81080 08922	& ON & ON
GYRO INSTALLATION WITHOUT HSI OPTION	37-10-00	04	81080 08922	& ON & ON
GYRO INSTALLATION WITH HSI OPTION	37-10-00	05	80694 08113	81079 08921
GYRO INSTALLATION WITH HSI OPTION	37-10-00	06	81080 08922	& ON & ON
GYRO AND VACUUM INSTALLATION - NAV III	37-10-00	07	81241 09810	& ON & ON

CESSNA AIRCRAFT COMPANY
MODEL 172 (SERIES 1996 AND ON)
 ILLUSTRATED PARTS CATALOG

B340



DETAIL A

VACUUM SYSTEM WITHOUT HSI
 FIGURE 01 (SHEET 1)

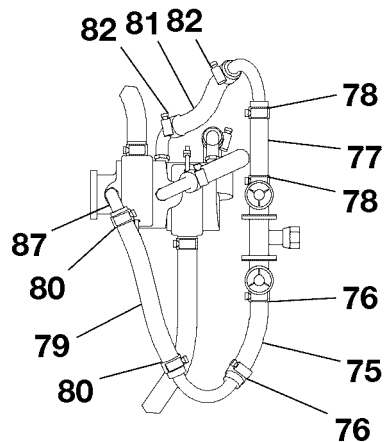
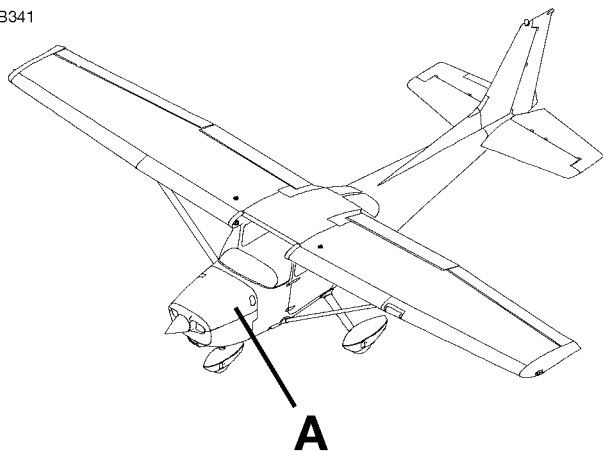
0510T1007
 A0514T1032

CESSNA AIRCRAFT COMPANY
MODEL 172 (SERIES 1996 AND ON)
ILLUSTRATED PARTS CATALOG

FIG ITEM	PART NUMBER	NOMENCLATURE	UNITS PER ASSY
	1 2 3 4 5 6 7		
01		VACUUM SYSTEM WITHOUT HSI	RF
-			
1	1H5-25	. MANIFOLD 172 FSO AA1H5-25A V26433 80001 81186	NP
- 1A	1H5-25	. MANIFOLD 172S FSO AA1H5-25A V26433 08001 09479	NP
- 1B	AA1H5-25A	. MANIFOLD 172 V26433 81187	& ON 01
- 1C	AA1H5-25A	. MANIFOLD 172S V26433 09480	& ON 01
- 2	F7-16-4	. SWITCH	02
3	S2363-1	. ELBOW 172	80984 & ON 01
- 3A	S2363-1	. ELBOW 172S	80704 & ON 01
4	S1495-10	. HOSE 20.8 IN LG BKI 172	80984 & ON 01
- 4A	S1495-10	. HOSE 20.8 IN LG BKI 172S	08704 & ON 01
5	S1891-10	. CLAMP FSO S1891-10S	NP
- 5A	S1891-10S	. CLAMP	02
6	S1495-10	. HOSE 2.00 IN LG BKI 172	80984 & ON 02
- 6A	S1495-10	. HOSE 2.00 IN LG BKI 172S	08704 & ON 02
7	S1891-10	. CLAMP FSO S1891-10S	NP
- 7A	S1891-10S	. CLAMP	04
8	S1053K8T	. DUCT 26.00 IN LG BKI PUMP TO BAFFLE 172	80984 & ON 01
- 8A	S1053K8T	. DUCT 26.00 IN LG BKI PUMP TO BAFFLE 172S	08704 & ON 01
9	S1891-10	. CLAMP FSO S1891-10S	NP
- 9A	S1891-10S	. CLAMP	02
10	S2363-2	. ELBOW 172	80984 & ON 02
- 10A	S2363-2	. ELBOW 172S	08704 & ON 02
11	S1495-10	. HOSE 6.00 IN LG BKI 172	80984 & ON 02
- 11A	S1495-10	. HOSE 6.00 IN LG BKI 172S	08704 & ON 02
12	S1891-10	. CLAMP FSO S1891-10S	NP
- 12A	S1891-10S	. CLAMP	01
13	S1495-10	. HOSE 12.6 IN LG BKI 172	80984 & ON 01
- 13A	S1495-10	. HOSE 12.6 IN LG BKI 172S	08704 & ON 01
14	S1891-10	. CLAMP FSO S1891-10S	NP
- 14A	S1891-10S	. CLAMP	02
15	S2363-3	. ELBOW 172	80984 & ON 01
- 15A	S2363-3	. ELBOW 172S	08704 & ON 01
16	S1053K8T	. DUCT 15.00 IN LG BKI PUMP TO BAFFLE 172	80984 & ON 01
- 16A	S1053K8T	. DUCT 15.00 IN LG BKI PUMP TO BAFFLE 172S	08704 & ON 01
17	S1891-12	. CLAMP	02
18	0501164-1	. ELBOW 172	80984 & ON 02
- 18A	0501164-1	. ELBOW 172S	08704 & ON 02
19	E211CC	. PUMP-VACUUM 172 FSO AA215CC V26433 80001 80773	01 R
- 19A	E211CC	. PUMP-VACUUM 172S FSO AA215CC V26433 80001 08251	01 R
- 19B	215CC	. PUMP-VACUUM 172 FSO AA215CC V26433 80774 81108	01 R
- 19C	215CC	. PUMP-VACUUM 172S FSO AA215CC V26433 08252 09062	01 R
- 19D	AA215CC	. PUMP-VACUUM 172 FSO AA3215CC V0E3U1 81109 81206	NP R
- 19E	AA215CC	. PUMP-VACUUM 172S FSO AA3215CC V0E3U1 09063 09606	NP R
- 19F	AA3215CC	. PUMP 172 V0E3U1 81207 81622	01 R
- 19G	AA3215CC	. PUMP 172S V0E3U1 09607 11260	01 R
- 19H	AA3225CC	. PUMP 172 V0E3U1 81623 & ON	01 R
- 19J	AA3225CC	. PUMP 172S V0E3U1 11261 & ON	01 R
20	E212CW	. PUMP-VACUUM 172 FSO AA216CW V26433 80001 80773	NP R
- 20A	E212CW	. PUMP-VACUUM 172S FSO AA216CW V26433 08001 08251	NP R
- 20B	216CW	. PUMP-VACUUM 172 FSO AA216CW V26433 80774 81108	NP R
- 20C	216CW	. PUMP-VACUUM 172S FSO AA216CW V26433 08252 09062	NP R
- 20D	AA216CW	. PUMP-VACUUM 172 FSO AA3216CW V0E3U1 81109 81206	NP R
- 20E	AA216CW	. PUMP-VACUUM 172S FSO AA3216CW V0E3U1 09063 09606	NP R
- 20F	AA3216CW	. PUMP-VACUUM 172 V0E3U1 81207 81622	01 R
- 20G	AA3216CW	. PUMP-VACUUM 172S V0E3U1 09607 11260	01 R
- 20H	AA3226CW	. PUMP-VACUUM 172 V0E3U1 81623 & ON	01 R
- 20J	AA3226CW	. PUMP-VACUUM 172S V0E3U1 11261 & ON	01 R
		ATTACHING PARTS	
21	1201998-1	. COOLING SHROUD V20887	01 R
- 22	MS3367-2-9	. STRAP 172	80791 & ON 01 R
- 22A	MS3367-2-9	. STRAP 172S	08281 & ON 01 R
23	S3346-1	. GASKET	01 R
24	NAS1149F0432P	. WASHER	04 R
25	MS35333-40	. WASHER-LOCK	04 R
		—*—	
26	STD1411	. LYCOMING NUT	08 R
27	350	. HARDWARE KIT WITH COUPLING	01 R
28		. GYRO INSTALLATION REFER TO 37-10-00 FIGURE 04	RF R

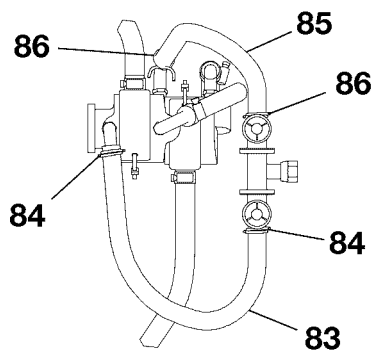
CESSNA AIRCRAFT COMPANY
MODEL 172 (SERIES 1996 AND ON)
 ILLUSTRATED PARTS CATALOG

B341



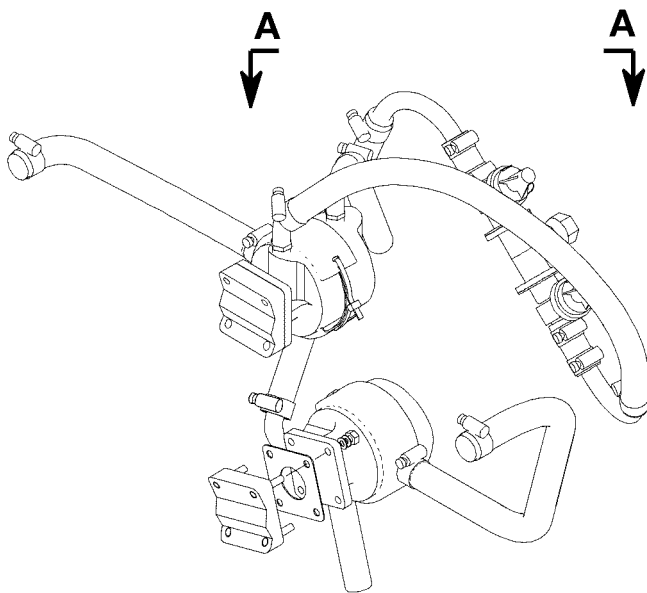
VIEW A-A

**AIRPLANES 17280832 THRU 17280983 AND
 AIRPLANES 172S8349 THRU 172S8703**



VIEW A-A

**AIRPLANES 17280001 THRU 17280831 AND
 AIRPLANES 172S8001 THRU 172S8348**



DETAIL A

**VACUUM SYSTEM WITHOUT HSI
 FIGURE 01 (SHEET 2)**

0510T1007
 A0514T1032
 AA0514T1033
 AA0514T1034

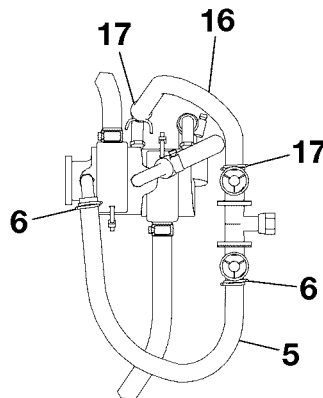
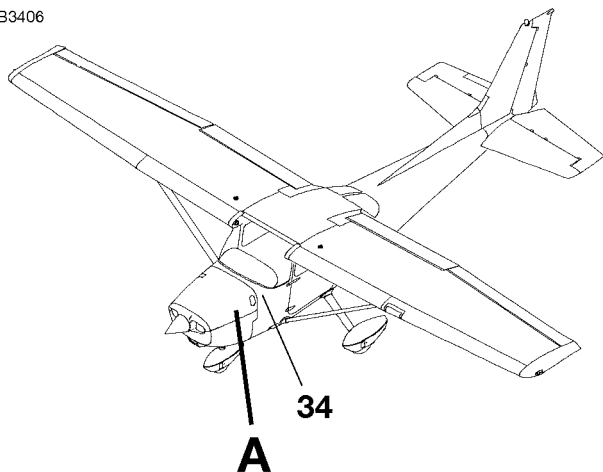
CESSNA AIRCRAFT COMPANY
MODEL 172 (SERIES 1996 AND ON)
 ILLUSTRATED PARTS CATALOG

FIG ITEM	PART NUMBER	NOMENCLATURE	UNITS		
			1	2	PER ASSY
01					
75	S1495-10	. HOSE 5.54 BKI MANIFOLD TO PUMP 172	80832	80983	01
- 75A	S1495-10	. HOSE 5.54 BKI MANIFOLD TO PUMP 172S	08349	08703	01
76	S1891-10	. CLAMP FSO S1891-10S			NP
- 76A	S1891-10S	. CLAMP			02
77	S1495-10	. HOSE 4.50 IN LG BKI MANIFOLD TO PUMP 172	80832	80983	01
- 77A	S1495-10	. HOSE 4.50 IN LG BKI MANIFOLD TO PUMP 172S	08349	08703	01
78	S1891-10	. CLAMP FSO S1891-10S			NP
- 78A	S1891-10S	. CLAMP			02
79	S1495-10	. HOSE 9.18 IN LG BKI MANIFOLD TO PUMP 172	80832	80983	01
- 79A	S1495-10	. HOSE 9.18 IN LG BKI MANIFOLD TO PUMP 172S	08349	08703	01
80	S1891-10	. CLAMP FSO S1891-10S			NP
- 80A	S1891-10S	. CLAMP			02
81	S1495-10	. HOSE 9.00 IN LG BKI MANIFOLD TO PUMP 172	80832	80983	01
- 81A	S1495-10	. HOSE 9.00 IN LG BKI MANIFOLD TO PUMP 172S	08349	08703	01
82	S1891-10	. CLAMP FSO S1891-10S			NP
- 82A	S1891-10S	. CLAMP			02
83	S1495-10	. HOSE 20.75 IN LG BKI MANIFOLD TO PUMP 172	80001	80831	01
- 83A	S1495-10	. HOSE 20.75 IN LG BKI MANIFOLD TO PUMP 172S	08001	08348	01
84	S1494-16	. CLAMP			02
85	S1495-10	. HOSE 17.00 IN LG BKI MANIFOLD TO PUMP 172	80001	80831	01
- 85A	S1495-10	. HOSE 17.00 IN LG BKI MANIFOLD TO PUMP 172S	08001	08348	01
86	S1494-16	. CLAMP			02
87	S2363-2	. ELBOW 172 FSO S2363-1	80832	80983	01
- 87A	S2363-2	. ELBOW 172S FSO S2363-1	08349	08703	01

- ITEM NOT ILLUSTRATED

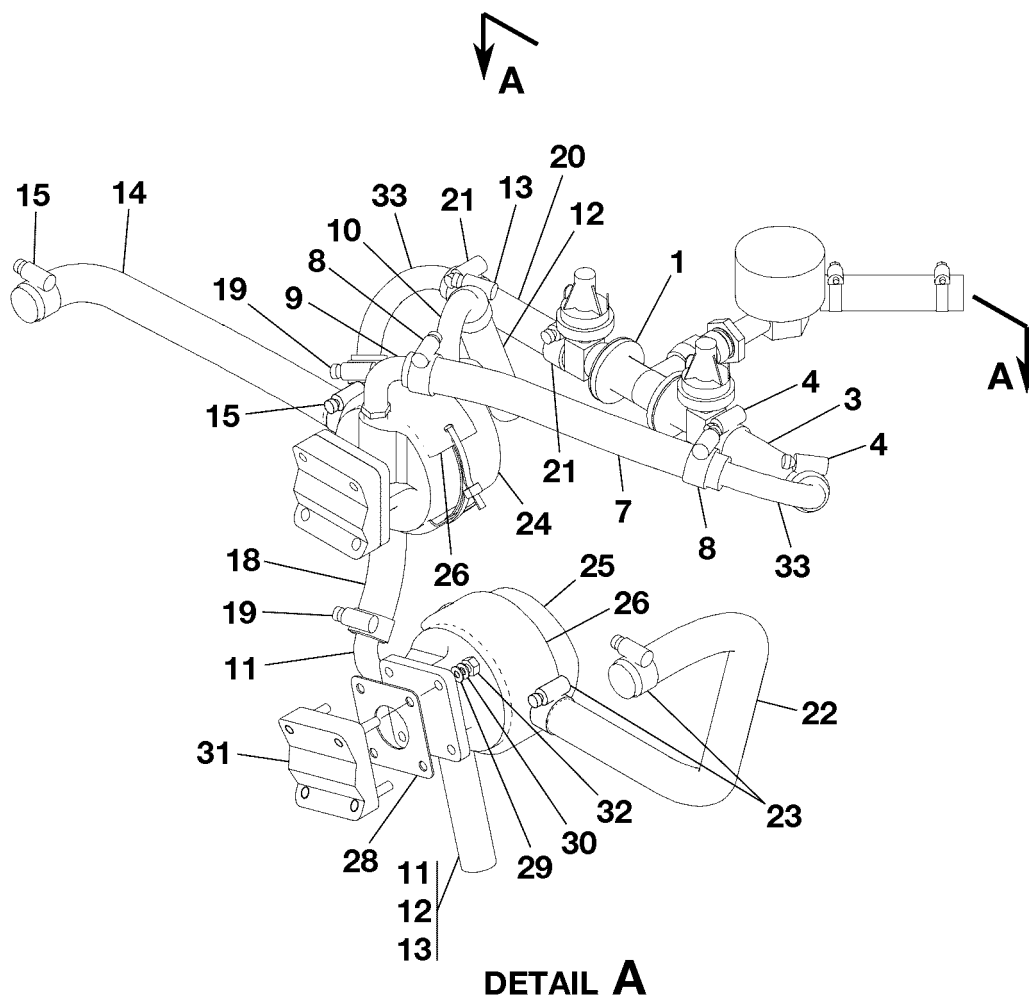
CESSNA AIRCRAFT COMPANY
MODEL 172 (SERIES 1996 AND ON)
 ILLUSTRATED PARTS CATALOG

B3406



VIEW A-A

AIRPLANES 17280694 THRU 17280831 AND
 AIRPLANES 172S8113 THRU 172S8348



DETAIL A

VACUUM SYSTEM WITH HSI OPTION
 FIGURE 02 (SHEET 1)

0510T1007
 A0514T1036
 AA0514T1037

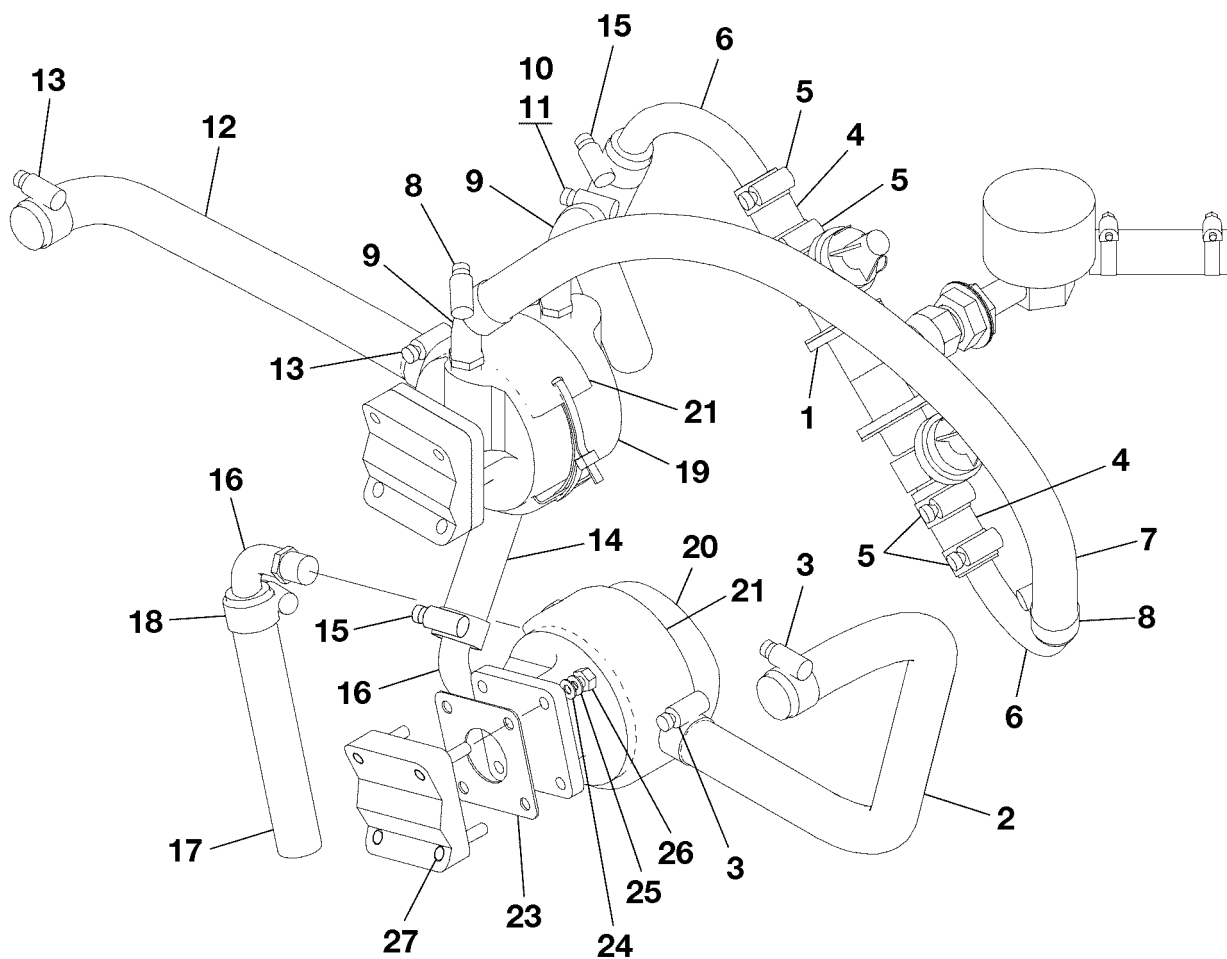
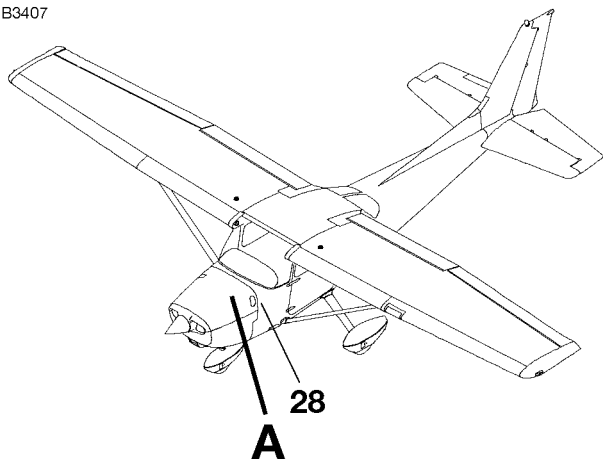
CESSNA AIRCRAFT COMPANY
MODEL 172 (SERIES 1996 AND ON)
ILLUSTRATED PARTS CATALOG

FIG ITEM	PART NUMBER	NOMENCLATURE	UNITS PER ASSY		
			1	2	3
02		VACUUM SYSTEM WITH HSI OPTION	80694	81079	RF
-			08113	08921	
1	1H5-25	. MANIFOLD (INCLUDES 2 SWITCHES) FSO AA1H5-25A	V26433		NP
- 1A	AA1H5-25A	. MANIFOLD (INCLUDES 2 SWITCHES)	V26433		01
- 2	F7-16-4	. SWITCH			02 R
3	S1495-10	. HOSE 5.54 IN LG BKI MANIFOLD TO PUMP 172	80832	81079	01 R
- 3A	S1495-10	. HOSE 5.54 IN LG BKI MANIFOLD TO PUMP 172S	08349	08921	01 R
		ATTACHING PARTS			
4	S1891-12H	. CLAMP			02 R
		—*—			
5	S1495-10	. HOSE 20.75 IN LG BKI MANIFOLD TO PUMP 172	80694	80831	01 R
- 5A	S1495-10	. HOSE 20.75 IN LG BKI MANIFOLD TO PUMP 172S	08113	08348	01 R
		ATTACHING PARTS			
6	S1494-16	. CLAMP			02 R
		—*—			
7	S1495-10	. HOSE 9.18 IN LG BKI MANIFOLD TO PUMP 172	80832	81079	01 R
- 7A	S1495-10	. HOSE 9.18 IN LG BKI MANIFOLD TO PUMP 172S	08349	08921	01 R
		ATTACHING PARTS			
8	S1891-12H	. CLAMP			02 R
		—*—			
9	S2363-2	. ELBOW			01 R
10	S2363-3	. ELBOW			01 R
11	S2363-2	. ELBOW			02 R
12	S1495-10	. HOSE 6.00 IN LG BKI			02 R
		ATTACHING PARTS			
13	S1891-12H	. CLAMP			02 R
		—*—			
14	S1053K8T	. DUCT 15.00 IN LG BKI PUMP TO BAFFLE			01 R
		ATTACHING PARTS			
15	S1891-12H	. CLAMP			02 R
		—*—			
16	S1495-10	. HOSE 17.00 IN LG BKI MANIFOLD TO PUMP 172	80694	80831	01 R
- 16A	S1495-10	. HOSE 17.00 IN LG BKI MANIFOLD TO PUMP 172S	08113	08348	01 R
		ATTACHING PARTS			
17	S1494-16	. CLAMP			02 R
		—*—			
18	S1495-10	. HOSE 9.00 IN LG BKI MANIFOLD TO PUMP 172	80832	81079	01 R
- 18A	S1495-10	. HOSE 9.00 IN LG BKI MANIFOLD TO PUMP 172S	08349	08921	01 R
		ATTACHING PARTS			
19	S1891-12H	. CLAMP			02 R
		—*—			
20	S1495-10	. HOSE 4.50 IN LG BKI MANIFOLD TO PUMP 172	80832	81079	01 R
- 20A	S1495-10	. HOSE 4.50 IN LG BKI MANIFOLD TO PUMP 172S	08349	08921	01 R
		ATTACHING PARTS			
21	S1891-12H	. CLAMP			02 R
		—*—			
22	S1053K8T	. DUCT 26.00 IN LG BKI PUMP TO BAFFLE			01 R
		ATTACHING PARTS			
23	S1891-12H	. CLAMP			02 R
		—*—			
24	E211CC	. PUMP-VACUUM 172 FSO AA215CC	V26433	80694	80773
- 24A	E211CC	. PUMP-VACUUM 172S FSO AA215CC	V26433	08113	08251
- 24B	215CC	. PUMP-VACUUM 172 FSO AA215CC	V26433	80774	81079
- 24C	215CC	. PUMP-VACUUM 172S FSO AA215CC	V26433	08252	08921
25	E212CW	. PUMP-VACUUM 172 FSO AA216CW	V26433	80694	80773
- 25A	E212CW	. PUMP-VACUUM 172S FSO AA216CW	V26433	08113	08251
- 25B	216CW	. PUMP-VACUUM 172 FSO AA216CW	V26433	80774	81079
- 25C	216CW	. PUMP-VACUUM 172S FSO AA216CW	V26433	08252	08921
		ATTACHING PARTS			
26	1201998-1	. COOLING SHROUD	V20887		01 R
- 27	MS3367-1-9	. STRAP			01 R
28	S3346-1	. GASKET			01 R
29	NAS1149F0432P	. WASHER			04 R
30	MS35333-40	. WASHER-LOCK			04 R
		—*—			
31	350	. HARDWARE KIT-WITH COUPLING			01 R
32	STD1411	. LYCOMING NUT			08 R
33	0501164-1	. ELBOW 172 REFER TO NOTE 1	80832	81079	02 R
- 33A	0501164-1	. ELBOW 172S REFER TO NOTE 1	08349	08921	02 R
34		. GYRO INSTALLATION REFER TO 37-10-00 FIGURE 03			RF R

NOTE 1—AIRPLANES 17280001 THRU 17280831 AND 172S08001 THRU 172S08348 INCORPORATING MK172-37-01.

CESSNA AIRCRAFT COMPANY
MODEL 172 (SERIES 1996 AND ON)
 ILLUSTRATED PARTS CATALOG

B3407



DETAIL A

VACUUM SYSTEM WITH HSI OPTION
 FIGURE 03 (SHEET 1)

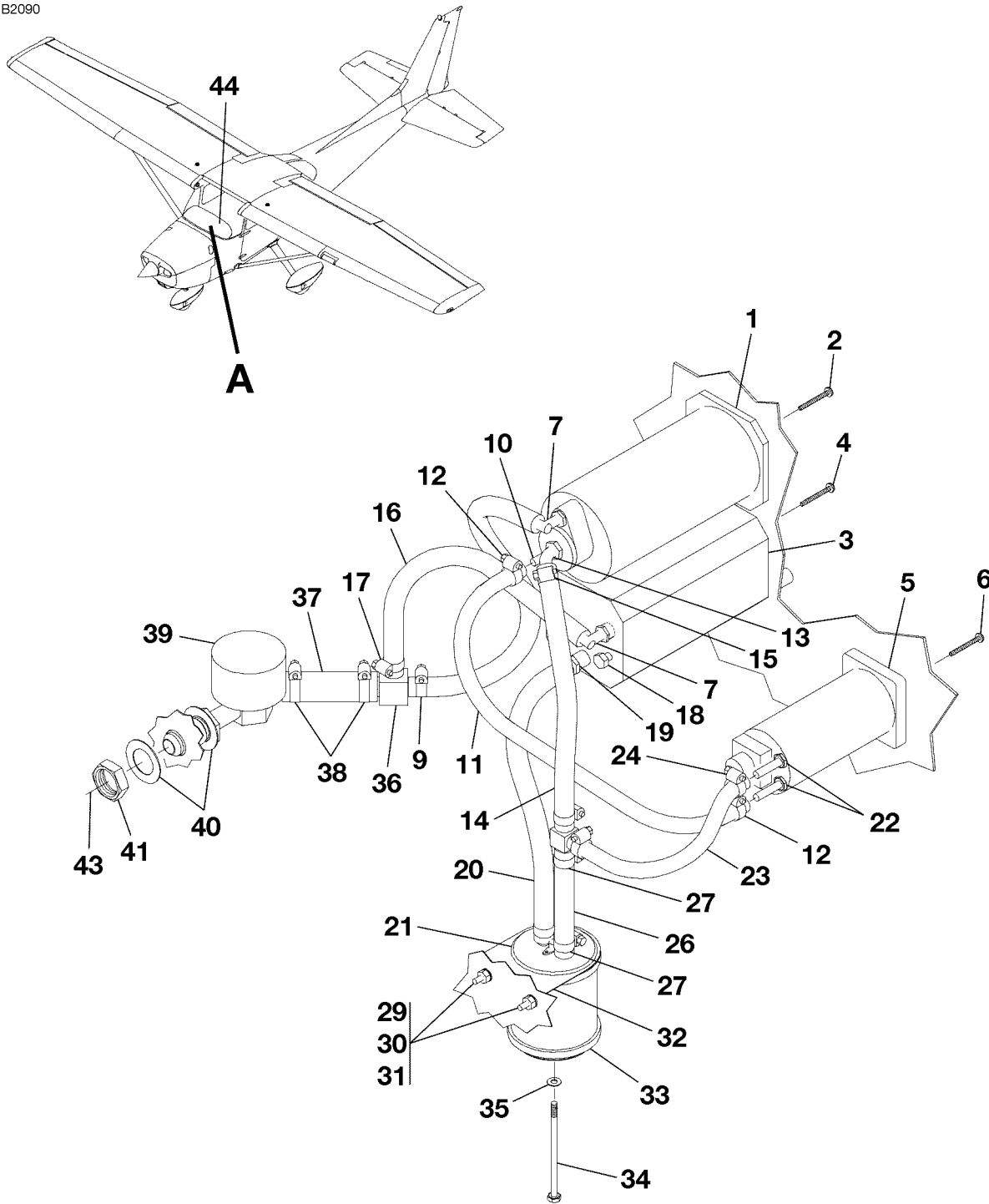
0510T1007
 A0514T1035

CESSNA AIRCRAFT COMPANY
MODEL 172 (SERIES 1996 AND ON)
ILLUSTRATED PARTS CATALOG

FIG ITEM	PART NUMBER	NOMENCLATURE	UNITS PER ASSY		
			1	2	3
03		VACUUM SYSTEM WITH HSI OPTION			
-				81080	& ON
				08922	& ON
1	1H5-25	. MANIFOLD FSO AA1H5-25A 172	V26433	81080	81186
- 1A	1H5-25	. MANIFOLD FSO AA1H5-25A 172S	V26433	08922	09479
- 1B	AA1H5-25A	. MANIFOLD 172	V26433	81187	& ON
- 1C	AA1H5-25A	. MANIFOLD 172S	V26433	09480	& ON
- 1D	F7-16-4	. SWITCH			02
2	S1053K8T	. DUCT 26.00 IN LG BKI PUMP TO BAFFLE			01
3	S1891-12	. CLAMP			02
- 3A	S1891-12H	. CLAMP ALT FOR S1891-12			02
4	S1495-10	. HOSE 2.00 BKI MANIFOLD TO PUMP			02
5	S1891-12	. CLAMP			04
- 5A	S1891-12H	. CLAMP ALT FOR S1891-12			04
6	S2363-3	. ELBOW			02
7	S1495-10	. HOSE 9.18 IN LG BKI MANIFOLD TO PUMP			01
8	S1891-12	. CLAMP			02
- 8A	S1891-12H	. CLAMP ALT FOR S1891-12			02
9	S2363-2	. ELBOW			02
10	S1495-10	. HOSE 6.00 IN LG BKI			01
11	S1891-12	. CLAMP			01
- 11A	S1891-12H	. CLAMP ALT FOR S1891-12			01
12	S1053K8T	. DUCT 15.00 IN LG BKI PUMP TO BAFFLE			01
13	S1891-12	. CLAMP			02
- 13A	S1891-12H	. CLAMP ALT FOR S1891-12			02
14	S1495-10	. HOSE 9.00 IN LG BKI MANIFOLD TO PUMP			01
15	S1891-12	. CLAMP			02
- 15A	S1891-12H	. CLAMP ALT FOR S1891-12			02
16	S2363-2	. ELBOW			02
17	S1495-10	. HOSE 6.00 IN LG BKI			01
18	S1891-12	. CLAMP			01
- 18A	S1891-12H	. CLAMP ALT FOR S1891-12			01
19	215CC	. PUMP-VACUUM FSO AA215CC 172	V26433	81080	81108
- 19A	215CC	. PUMP-VACUUM FSO AA215CC 172S	V26433	08922	09062
- 19B	AA215CC	. PUMP-VACUUM FSO AA3215CC 172	V0E3U1	81109	81206
- 19C	AA215CC	. PUMP-VACUUM FSO AA3215CC 172S	V0E3U1	09063	09060
- 19D	AA3215CC	. PUMP-VACUUM 172	V0E3U1	81207	81622
- 19E	AA3215CC	. PUMP-VACUUM 172S	V0E3U1	09607	11260
- 19F	AA3225CC	. PUMP-VACUUM 172	V0E3U1	81623	& ON
- 19G	AA3225CC	. PUMP-VACUUM 172S	V0E3U1	11261	& ON
20	216CW	. PUMP-VACUUM FSO AA216CW 172	V26433	81080	81108
- 20A	216CW	. PUMP-VACUUM FSO AA216CW 172S	V26433	08922	09062
- 20B	AA216CW	. PUMP-VACUUM FSO AA3216CW 172	V0E3U1	81109	81606
- 20C	AA216CW	. PUMP-VACUUM FSO AA3216CW 172S	V0E3U1	09063	09606
- 20D	AA3216CW	. PUMP-VACUUM 172	V0E3U1	81607	81622
- 20E	AA3216CW	. PUMP-VACUUM 172S	V0E3U1	09607	11260
- 20F	AA3226CW	. PUMP-VACUUM 172	V0E3U1	81623	& ON
- 20G	AA3226CW	. PUMP-VACUUM 172S	V0E3U1	11261	& ON
		ATTACHING PARTS			
21	1201998-1	. COOLING SHROUD	V20887		01
- 22	MS3367-1-9	. STRAP			01
23	S3346-1	. GASKET			01
24	NAS1149F0432P	. WASHER			04
25	MS35333-40	. WASHER-LOCK			04
		—*—			
26	STD1411	. LYCOMING NUT			08
27	350	. HARDWARE KIT-WITH COUPLING			01
28		. GYRO INSTALLATION REFER TO 37-10-00 FIGURE 06			RF

CESSNA AIRCRAFT COMPANY
MODEL 172 (SERIES 1996 AND ON)
 ILLUSTRATED PARTS CATALOG

B2090



DETAIL A

GYRO INSTALLATION WITHOUT HSI OPTION
 FIGURE 04 (SHEET 1)

0510T1007
 A0514T1031

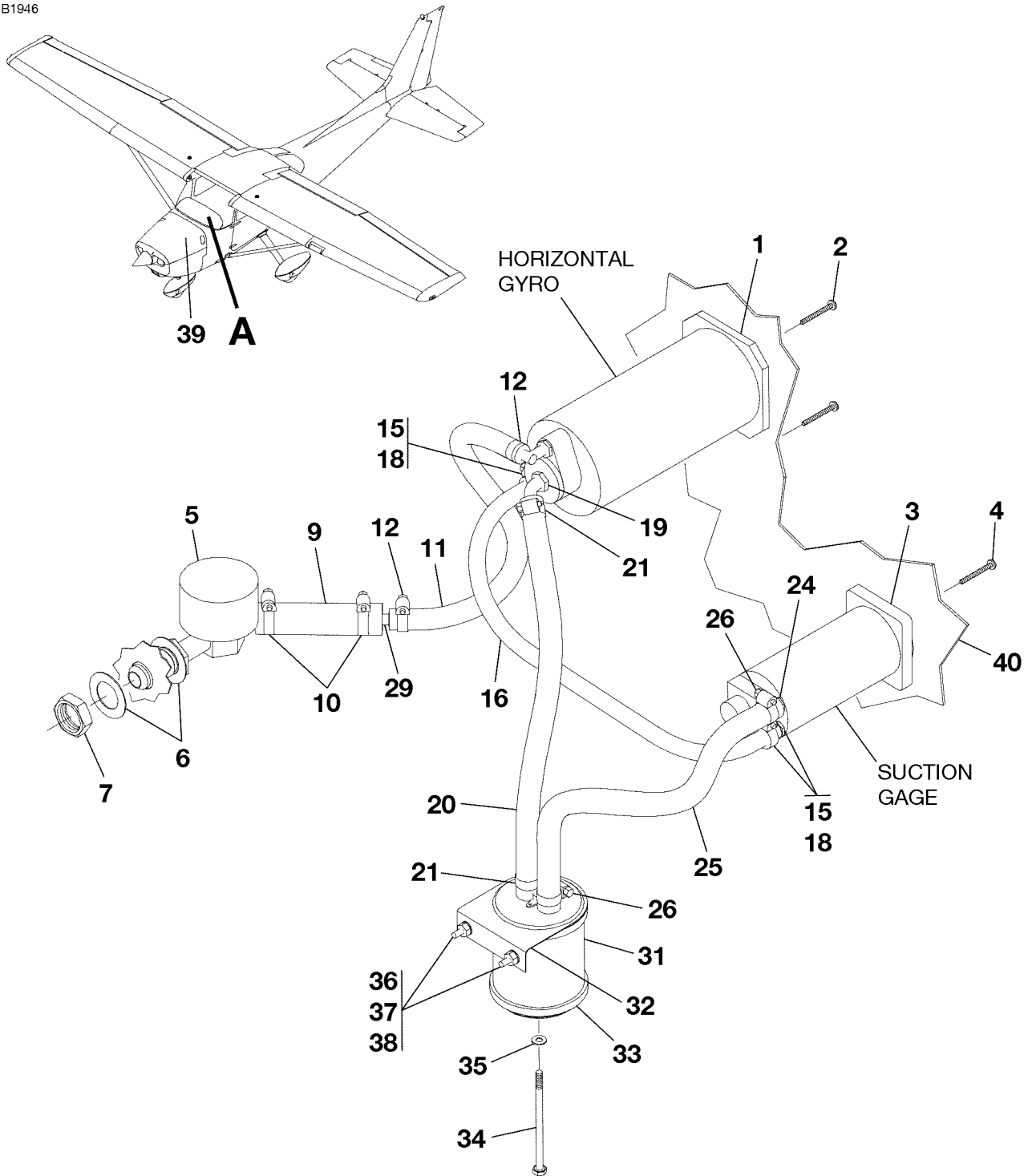
CESSNA AIRCRAFT COMPANY
MODEL 172 (SERIES 1996 AND ON)
ILLUSTRATED PARTS CATALOG

FIG ITEM	PART NUMBER	NOMENCLATURE	UNITS PER ASSY		
			1	2	3
04		GYRO INSTALLATION WITHOUT HSI OPTION			
-			81080	& ON	RF
			08922	& ON	
1	S3326-1	. INDICATOR-HORIZONTAL GYRO-ATTITUDE 172	81080	81272	01
- 1A	S3326-1	. INDICATOR-HORIZONTAL GYRO-ATTITUDE 172S	08922	10102	01
- 1B	S3326-2	. INDICATOR-HORIZONTAL GYRO-ATTITUDE 172	81273	& ON	01
- 1C	S3326-2	. INDICATOR-HORIZONTAL GYRO-ATTITUDE 172S	10103	& ON	01
2	S3484-6-14G1	. SCREW-ATTACH INDICATOR			04
3	S3330-1	. INDICATOR-DIRECTIONAL GYRO			01
- 3A	S3330-2	. INDICATOR GYRO USED WITH NAV II PACKAGE			02
4	S3484-6-14G1	. SCREW-ATTACH INDICATOR			03
5	S3280-1	. INDICATOR-SUCTION GAGE/AMMETER			01
6	S3484-6-12G1	. SCREW-ATTACH INDICATOR			04
7	S2503-1	. ELBOW			02
- 8	S3707-6	. HOSE 17.75 IN LG BKI HORIZON GYRO TO TEE			01
9	S2357-1	. CLAMP			01
10	S3014-2-4	. ADAPTER			01
11	S3707-4	. HOSE 13.50 IN LG BKI HORIZON GYRO TO SUCTION GAGE			01
12	S2357-1	. CLAMP			02
13	S3013-4-6	. ELBOW FSO AA1K9-4-6 172	81080	81185	NP
- 13A	S3013-4-6	. ELBOW FSO AA1K9-4-6 172S	08922	09479	NP
- 13B	AA1K9-4-6	. ELBOW ASSY 172	V0E3U1	81186	& ON 01
- 13C	AA1K9-4-6	. ELBOW ASSY 172S	V0E3U1	09480	& ON 01
14	S1495-6	. HOSE 15.80 IN LG BKI HORIZON GYRO TO TEE	81080	81535	AR
- 14A	S1495-6	. HOSE 15.80 IN LG BKI HORIZON GYRO TO TEE	08922	10771	AR
- 14B	S1495-6	. HOSE 18.00 IN LG BKI HORIZON GYRO TO TEE	81536	& ON	AR
- 14C	S1495-6	. HOSE 18.00 IN LG BKI HORIZON GYRO TO TEE	10771	& ON	AR
15	S2357-1	. CLAMP			02
16	S1495-6	. HOSE 17.75 IN LG BKI DIRECTIONAL GYRO TO TEE	81080	81535	AR
- 16A	S1495-6	. HOSE 17.75 IN LG BKI DIRECTIONAL GYRO TO TEE	08922	10771	AR
- 16B	S1495-6	. HOSE 22.00 IN LG BKI DIRECTIONAL GYRO TO TEE	81536	& ON	AR
- 16C	S1495-6	. HOSE 22.00 IN LG BKI DIRECTIONAL GYRO TO TEE	10771	& ON	AR
17	S2357-1	. CLAMP			01
18	S2506-1	. PLUG			01
19	S2502-3	. CONNECTOR			01
20	S1495-6	. HOSE 17.00 IN LG BKI DIRECTIONAL GYRO TO FILTER	81080	81535	AR
- 20A	S1495-6	. HOSE 17.00 IN LG BKI DIRECTIONAL GYRO TO FILTER	08922	10771	AR
- 20B	S1495-6	. HOSE 17.00 IN LG BKI DIRECTIONAL GYRO TO FILTER	81536	& ON	AR
- 20C	S1495-6	. HOSE 17.00 IN LG BKI DIRECTIONAL GYRO TO FILTER	10771	& ON	AR
21	S2357-1	. CLAMP			01
22	S3014-2-4	. ADAPTER			02
23	S3707-4	. HOSE 11.50 IN LG BKI SUCTION GAGE TO TEE			AR
24	S2357-1	. CLAMP			02
- 25	S3023-6-6-4	. TEE FSO AA1K30-6-6-4 172	81080	81185	NP
- 25A	S3023-6-6-4	. TEE FSO AA1K30-6-6-4 172	08922	09479	NP
- 25B	AA1K30-6-6-4	. TEE 172	V0E3U1	81186	& ON 01
- 25C	AA1K30-6-6-4	. TEE 172S	V0E3U1	09480	& ON 01
26	S3707-6	. HOSE 4.10 IN LG BKI TEE TO FILTER			AR
27	S2357-1	. CLAMP			02
- 28	1201075-2	. GYRO FILTER ASSY			01
29	MS35207-264	. SCREW-ATTACH FILTER			02
30	NAS1149F0332P	. WASHER-ATTACH FILTER			04
31	MS21083N3	. NUT-ATTACH FILTER			02
32	1201075-4	. BRACKET ASSY			01
33	C294502-0201	. FILTER			01
34	AN3-34A	. BOLT			01
35	S1450-3A32-050	. WASHER			01
36	S3023-10-6-6	. TEE FSO AA1K30-10-6-6 172	81080	81185	NP
- 36A	S3023-10-6-6	. TEE FSO AA1K30-10-6-6 172S	08922	09479	NP
- 36B	AA1K30-10-6-6	. TEE 172	V0E3U1	81186	& ON 01
- 36C	AA1K30-10-6-6	. TEE 172S	V0E3U1	09480	& ON 01
37	S1495-10	. HOSE 2.10 IN LG BKI TEE TO VALVE			01
38	S2357-2S	. CLAMP			02
39	2H3-48	. VALVE-REGULATING FSO AA2H3-48 172	V26433	81080	81185 NP
- 39A	2H3-48	. VALVE-REGULATING FSO AA2H3-48 172S	V26433	08922	09479 NP
- 39B	AA2H3-48	. VALVE-REGULATING 172	V0E3U1	81186	& ON 01
- 39C	AA2H3-48	. VALVE-REGULATING 172S	V0E3U1	09480	& ON 01
- 39D	B3-5-1	. FILTER USED WITH 2H3-48	V26433		01
- 39E	B3-5-1	. FILTER USED WITH AA2H3-48	V26433		01
40	NAS1149F1432P	. WASHER-ATTACH FILTER			01
41	AS5178-10	. NUT-ATTACH FILTER			01 R
- 42	B3-5-1	. FILTER	V26433		01
43		. VACUUM SYSTEM REFER TO 37-10-00 FIGURE 01			RF
44		. INSTRUMENT PANEL REFER TO 31-00-00 FIGURE 01			RF

- ITEM NOT ILLUSTRATED

CESSNA AIRCRAFT COMPANY
MODEL 172 (SERIES 1996 AND ON)
 ILLUSTRATED PARTS CATALOG

B1946



DETAIL A

AIRPLANES 17280694 THRU 17281079 AND
 AIRPLANES 172S8113 THRU 172S8921
 GYRO INSTALLATION WITH HSI OPTION
 FIGURE 05 (SHEET 1)

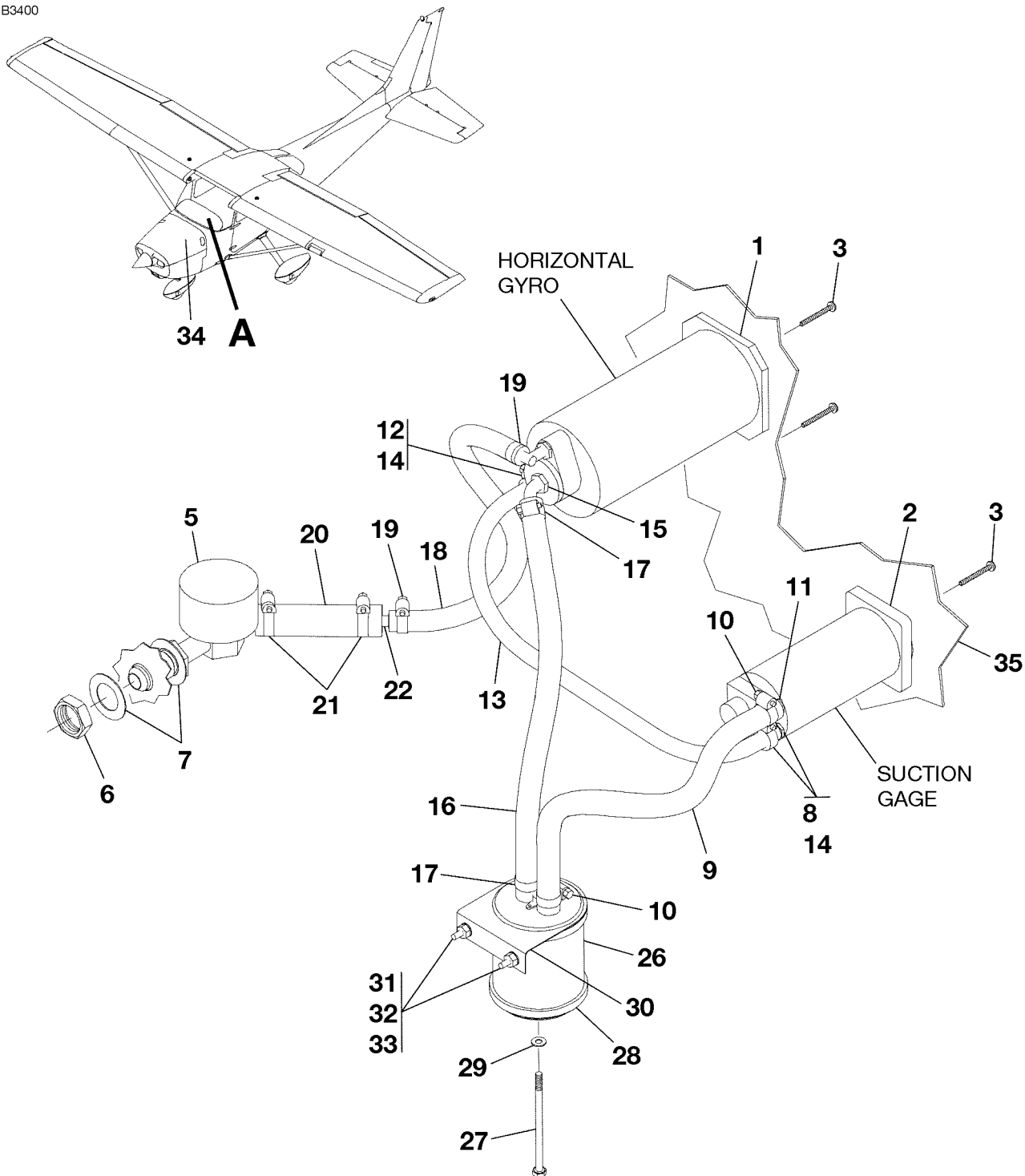
0510T1007
 A0514T1030

CESSNA AIRCRAFT COMPANY
MODEL 172 (SERIES 1996 AND ON)
ILLUSTRATED PARTS CATALOG

FIG ITEM	PART NUMBER	NOMENCLATURE	UNITS PER ASSY		
			1	2	3
05		GYRO INSTALLATION WITH HSI OPTION			
-			80694	81079	RF
			08113	08921	
1	S3326-1	. INDICATOR-HORIZONTAL GYRO 172			01
		ATTACHING PARTS			
2	S3484-6-14G1	. SCREW			04
		—*—			
3	S3280-1	. INDICATOR-SUCTION GAGE-AMMETER			01
		ATTACHING PARTS			
4	S3484-6-12G1	. SCREW			04
		—*—			
5	2H3-48	. VALVE-VACUUM REGULATION FSO AA2H3-48	V26433		NP
- 5A	AA2H3-48	. VALVE-VACUUM REGULATION	V26433		01
6	NAS1149F1432P	. WASHER VALVE ATTACH			02
7	AS5178-10	. NUT VALVE ATTACH			01 R
- 8	B3-5-1			01
9	S1495-10	. HOSE 2.10 IN LG BKI TEE TO VALVE			01
10	S2357-1	. CLAMP			02
11	S3707-6	. HOSE 17.75 IN LG BKI DIRECTIONAL GYRO TO TEE 172	80967	81079	01
- 11A	S3707-6	. HOSE 17.75 IN LG BKI DIRECTIONAL GYRO TO TEE 172S	08642	08921	01
12	S2357-3	. CLAMP			02
- 13	S1495-6	. HOSE 17.75 IN LG BKI DIRECTIONAL GYRO TO TEE RPB S3707-6 172	80694	80966	AR
- 13A	S1495-6	. HOSE 17.75 IN LG BKI DIRECTIONAL GYRO TO TEE RPB S3707-6 172S	08113	08641	AR
- 14	S2357-1	. CLAMP			02
15	S3014-2-4	. ADAPTER			02
16	S3707-4	. HOSE 20.00 IN LG BKI HORIZON GYRO TO SUCTION GAGE 172	80967	81079	01
- 16A	S3707-4	. HOSE 20.00 IN LG BKI HORIZON GYRO TO SUCTION GAGE 172S	08642	08921	01
- 17	S1495-4	. HOSE 20.00 IN LG BKI HORIZON GYRO TO SUCTION GAGE RPB S3707-4 172	80694	80966	01
- 17A	S1495-4	. HOSE 20.00 IN LG BKI HORIZON GYRO TO SUCTION GAGE RPB S3707-4 172S	08113	08641	01
18	S2357-1	. CLAMP			02
19	S3013-4-6	. ELBOW FSO AA1K9-4-6			NP
- 19A	AA1K9-4-6	. ELBOW ASSY	V0E3U1		01
20	S3707-6	. HOSE 20.00 IN LG BKI DIRECTIONAL GYRO TO FILTER 172	80967	81079	01
- 20A	S3707-6	. HOSE 20.00 IN LG BKI DIRECTIONAL GYRO TO FILTER 172S	08642	08921	01
21	S2357-3	. CLAMP			02
- 22	S1495-6	. HOSE 20.00 IN LG BKI DIRECTIONAL GYRO TO FILTER RPB S3707-6 172	80694	80966	AR
- 22A	S1495-6	. HOSE 20.00 IN LG BKI DIRECTIONAL GYRO TO FILTER RPB S3707-6 172S	08113	08641	AR
- 23	S2357-1	. CLAMP			02
24	125HBL-6-2	. ADAPTER			01
25	S3707-6	. HOSE 17.00 IN LG BKI SUCTION GAGE TO TEE 172	80967	81079	01
- 25A	S3707-6	. HOSE 17.00 IN LG BKI SUCTION GAGE TO TEE 172S	08642	08921	01
26	S2357-3	. CLAMP			02
- 27	S1495-6	. HOSE 17.00 IN LG BKI SUCTION GAGE TO TEE RPB S3707-6 172	80694	80966	AR
- 27A	S1495-6	. HOSE 17.00 IN LG BKI SUCTION GAGE TO TEE RPB S3707-6 172S	08113	08641	AR
- 28	S2357-1	. CLAMP			02
29	P10UCB6	. REDUCER FSO 0518031-1 172	80694	81079	01
- 30	P10UCB6	. REDUCER FSO 0518031-1 172S	08113	08921	01
31	1201075-2	. GYRO FILTER ASSY			01
32	1201075-4	. BRACKET ASSY			01
33	C294502-0201	. FILTER			01
34	AN3-34A	. BOLT			01
35	S1450-3A32-050	. WASHER			01
		ATTACHING PARTS			
36	MS35207-264	. SCREW			02
37	NAS1149F0332P	. WASHER			04
38	MS21083N3	. NUT			02
		—*—			
39		. VACUUM SYSTEM REFER TO 37-10-00 FIGURE 02			RF
40		. INSTRUMENT PANEL REFER TO 31-00-00 FIGURE 01			RF

CESSNA AIRCRAFT COMPANY
MODEL 172 (SERIES 1996 AND ON)
 ILLUSTRATED PARTS CATALOG

B3400



DETAIL A

AIRPLANES 17281080 AND ON AND
 AIRPLANES 172S8922 AND ON
 GYRO INSTALLATION WITH HSI OPTION
 FIGURE 06 (SHEET 1)

0510T1007
 A0514T1030

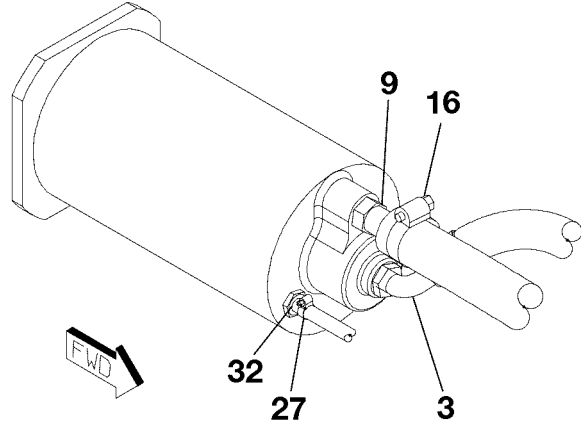
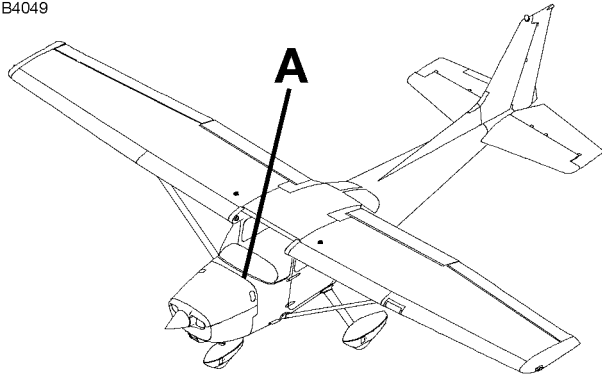
CESSNA AIRCRAFT COMPANY
MODEL 172 (SERIES 1996 AND ON)
ILLUSTRATED PARTS CATALOG

FIG ITEM	PART NUMBER	NOMENCLATURE	UNITS PER ASSY		
			1	2	3
06		GYRO INSTALLATION WITH HSI OPTION			
-			81080	& ON	RF
			08922	& ON	
1	S3326-1	. INDICATOR-HORIZONTAL GYRO 172	81080	81272	01
- 1A	S3326-1	. INDICATOR-HORIZONTAL GYRO 172S	08922	10102	01
- 1B	S3326-2	. INDICATOR-HORIZONTAL GYRO 172	81273	& ON	01
- 1C	S3326-2	. INDICATOR-HORIZONTAL GYRO 172S	10103	& ON	01
2	S3280-1	. INDICATOR-SUCTION GAGE-AMMETER			01
		ATTACHING PARTS			
3	S3484-6-14G1	. SCREW			04
		—*—			
- 4		. DELETED-NOT USED			
5	2H3-48	. VALVE FSO AA2H3-48 172	V26433	81080	81185 NP
- 5A	2H3-48	. VALVE FSO AA2H3-48 172S	V26433	08922	09479 NP
- 5B	AA2H3-48	. VALVE 172	V0E3U1	81186	& ON 01
- 5C	AA2H3-48	. VALVE 172S	V0E3U1	09480	& ON 01
- 5D	B3-5-1	. FILTER	V6H474		01 R
		ATTACHING PARTS			
6	AS5178-10	. NUT			01 R
7	NAS1149F1432P	. WASHER			02
		—*—			
8	S3014-2-4	. ADAPTER			01
9	S3707-6	. HOSE 17.00 IN LG			01
		ATTACHING PARTS			
10	S2357-3	. CLAMP			02
		—*—			
11	125HBL-6-2	. ADAPTER			01
12	S3014-2-4	. ADAPTER			01
13	S3707-4	. HOSE 20.00 IN LG			01
		ATTACHING PARTS			
14	S2357-1	. CLAMP			02
		—*—			
15	S3013-4-6	. ELBOW FSO AA1K9-4-6 172	81080	81185	NP
- 15A	S3013-4-6	. ELBOW FSO AA1K9-4-6 172S	08922	09479	NP
- 15B	AA1K9-4-6	. ELBOW ASSY 172	V0E3U1	81186	& ON 01
- 15C	AA1K9-4-6	. ELBOW ASSY 172S	V0E3U1	09480	& ON 01
16	S3707-6	. HOSE 20.00 IN LG			01
		ATTACHING PARTS			
17	S2357-3	. CLAMP			02
		—*—			
18	S3707-6	. HOSE 17.75 IN LG			01
		ATTACHING PARTS			
19	S2357-3	. CLAMP			02
		—*—			
20	S1495-10	. HOSE 2.10 IN LG			01
		ATTACHING PARTS			
21	S2357-1	. CLAMP			02
		—*—			
22	P10UCB6	. REDUCER FSO 0518031-1 172	81080	81089	NP
- 23	P10UCB6	. REDUCER FSO 0518031-1 172S	08922	09023	NP
- 24	0518031-1	. REDUCER 172	81090	& ON	01
- 25	0518031-1	. REDUCER 172S	09024	& ON	01
26	1201075-2	. GYRO FILTER ASSY			01
27	AN3-34A	. BOLT			01
28	C294502-0201	. FILTER			01
29	S1450-3A32-050	. WASHER			01
30	1201075-4	. BRACKET ASSY			01
		ATTACHING PARTS			
31	MS35207-264	. SCREW			02
32	NAS1149F0332P	. WASHER			04
33	MS21083N3	. NUT			02
		—*—			
34		. VACUUM SYSTEM REFER TO 37-10-00 FIGURE 03			RF
35		. INSTRUMENT PANEL REFER TO 31-00-00 FIGURE 01			RF

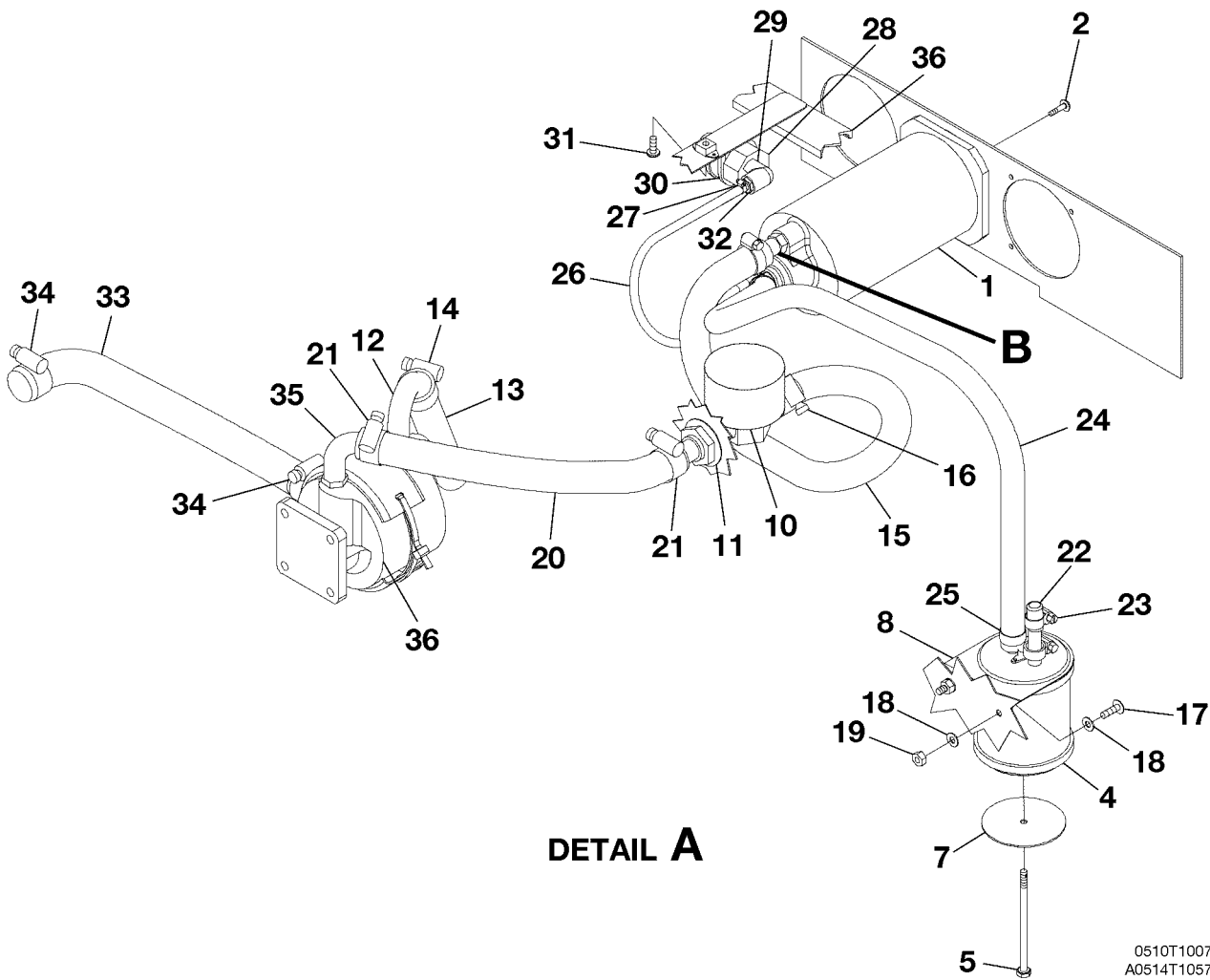
- ITEM NOT ILLUSTRATED

CESSNA AIRCRAFT COMPANY
MODEL 172 (SERIES 1996 AND ON)
 ILLUSTRATED PARTS CATALOG

B4049



DETAIL B



DETAIL A

0510T1007
 A0514T1057
 B0514T1058

GYRO AND VACUUM INSTALLATION - NAV III
 FIGURE 07 (SHEET 1)

CESSNA AIRCRAFT COMPANY
MODEL 172 (SERIES 1996 AND ON)
ILLUSTRATED PARTS CATALOG

FIG ITEM	PART NUMBER	NOMENCLATURE	UNITS PER ASSY		
			1	2	3
07		GYRO AND VACUUM INSTALLATION - NAV III			
-			81241	& ON	RF
			09810	& ON	
1	S3326-2	. INDICATOR			01
		. ATTACHING PARTS			
2	S3294-6-14G1	. SCREW			04
				
3	AA1K9-4-6	. ELBOW ASSY			01
4	1201075-2	. GYRO FILTER ASSY			01
5	AN3-34A	. BOLT			01
- 6	C294502-0201	. FILTER			01
7	S1450-3A32-050	. WASHER			01
8	1201075-4	. BRACKET ASSY			01
9	AA1K10-4-8	. ADAPTER			01
10	AA2H3-2	. VACUUM REGULATOR			01
- 10A	B3-5-1	. FILTER			01 R
11	NAS1149F1432P	. WASHER			02
12	S2363-3	. ELBOW			01
13	S1495-10	. HOSE-BKI 6.00 IN LG			AR
14	S1891-10	. CLAMP FSO S1891-10S			NP
- 14A	S1891-10S	. CLAMP			01
15	S3707-8	. HOSE-BKI 19.00 IN LG			AR
16	S2357-3	. CLAMP			02
17	MS35207-264	. SCREW			02
18	NAS1149F0332P	. WASHER			04
19	MS21083N3	. NUT			02
20	S1495-10	. HOSE-BKI 13.00 IN LG			AR
21	S1891-10	. CLAMP FSO S1891-10S			NP
- 21A	S1891-10S	. CLAMP			01
22	S2742-23	. TIP			01
23	S2357-1	. CLAMP			01
24	S3707-6	. HOSE-BKI 29.00 IN LG	81241	81535	AR
- 24A	S3707-6	. HOSE-BKI 29.00 IN LG	09810	10770	AR
- 24B	S3707-6	. HOSE-BKI 31.00 IN LG	81536	& ON	AR
- 24C	S3707-6	. HOSE-BKI 31.00 IN LG	10771	& ON	AR
25	S2357-3	. CLAMP			02
26	S3707-4	. HOSE-BKI 10.00 IN LG			AR
27	S2357-1	. CLAMP			02
28	P165-5786	. PRESSURE TRANSDUCER VACUUM			01
29	AN916-1D	. ELBOW			01
30	MS21919WDG18	. CLAMP			01
31	MS35206-263	. SCREW 172	80241	81535	01
- 31A	MS35206-263	. SCREW 172S	09810	10770	01
- 31B	MS35206-262	. SCREW 172	81536	& ON	01
- 31C	MS35206-262	. SCREW 172S	10771	& ON	01
32	S3014-2-4	. ADAPTER			01
33	S1053K8T	. DUCT-BKI 15.00 IN LG			AR
34	S1891-10	. CLAMP FSO S1891-10S			NP
- 34A	S1891-10S	. CLAMP			02
35	S2363-2	. ELBOW			01
36	AA3215CC	. PUMP-VACUUM 172 FSO AA3225CC	81207	81622	NP
- 36A	AA3215CC	. PUMP-VACUUM 172S FSO AA3225CC	09607	11260	NP
- 36B	AA3225CC	. PUMP-VACUUM 172	81623	& ON	01
- 36C	AA3225CC	. PUMP-VACUUM 172S	11261	& ON	01

- ITEM NOT ILLUSTRATED

CHAPTER

52

DOORS

CESSNA AIRCRAFT COMPANY
MODEL 172 (SERIES 1996 AND ON)
ILLUSTRATED PARTS CATALOG

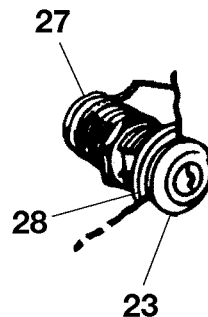
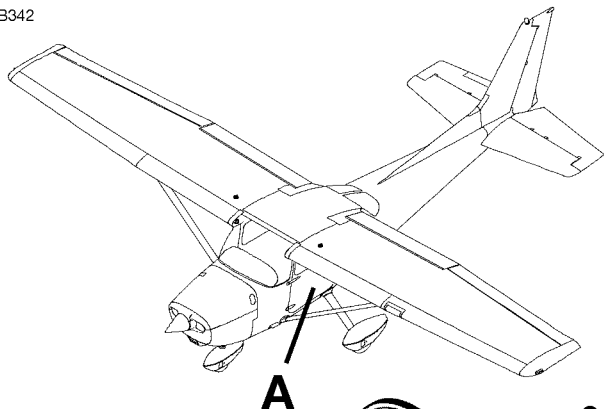
CHAPTER SECTION SUBJECT		NUMBER OF PAGES	DATE
52 - TITLE			
52 - LIST OF EFFECTIVE PAGES			
52 - RECORD OF TEMPORARY REVISIONS			
52 - TABLE OF CONTENTS			
52-10-00	Figure 01	4	Jul 1/2014
52-10-00	Figure 02	4	Jul 1/2014
52-10-02	Figure 01	2	Jul 1/2013
52-30-00	Figure 01	2	Jul 1/2015
52-40-00	Figure 01	2	Jan 1/2012
52-40-00	Figure 02	2	Jul 1/2013

CESSNA AIRCRAFT COMPANY
MODEL 172 (SERIES 1996 AND ON)
 ILLUSTRATED PARTS CATALOG

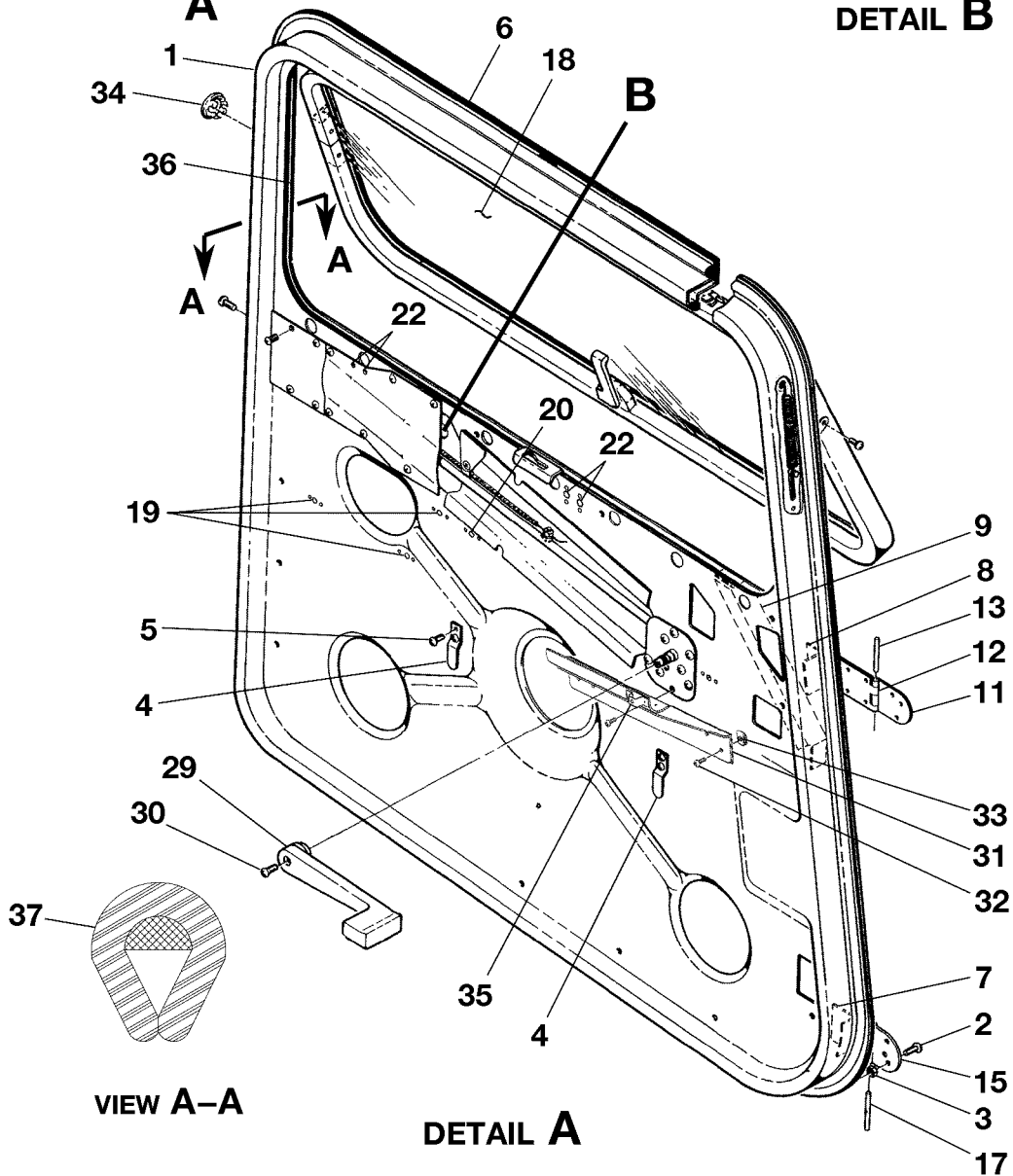
<u>SUBJECT</u>	<u>CHAPTER SECTION SUBJECT</u>	<u>FIGURE</u>	<u>EFFECTIVITY</u>	
			<u>START</u>	<u>END</u>
CABIN DOOR INSTALLATION - LH	52-10-00	01		
CABIN DOOR INSTALLATION - RH	52-10-00	02		
CABIN DOOR LATCH ASSEMBLY EXTERIOR	52-10-02	01		
BAGGAGE DOOR INSTALLATION	52-30-00	01		
SERVICE DOORS	52-40-00	01	80001	81262
			08001	10006
SERVICE DOORS	52-40-00	02	81263	& ON
			10007	& ON

CESSNA AIRCRAFT COMPANY
MODEL 172 (SERIES 1996 AND ON)
 ILLUSTRATED PARTS CATALOG

B342



DETAIL B



VIEW A-A

DETAIL A

CABIN DOOR INSTALLATION - LH
FIGURE 01 (SHEET 1)

0510T1007
 A0511R1005
 B0511R1005
 AA0519R1083

CESSNA AIRCRAFT COMPANY
MODEL 172 (SERIES 1996 AND ON)
ILLUSTRATED PARTS CATALOG

FIG ITEM	PART NUMBER	NOMENCLATURE	UNITS	
			PER	ASSY
01		CABIN DOOR INSTALLATION - LH		RF
- 1	0517001-39	. CABIN DOOR ASSY 172	80001 81212	01
- 1A	0517001-39	. CABIN DOOR ASSY 172S	08001 09626	01
- 1B	0517001-41	. CABIN DOOR ASSY 172	81213 & ON	01
- 1C	0517001-41	. CABIN DOOR ASSY 172S	09627 & ON	01
2	AN525-10R10	. SCREW 172 CABIN DOOR ATTACH	80001 81622	06
- 2A	AN525-10R10	. SCREW 172S CABIN DOOR ATTACH	08001 11320	06
- 2B	S3930-1-09	. SCREW 172 CABIN DOOR ATTACH	81623 & ON	06
- 2C	S3930-1-09	. SCREW 172S CABIN DOOR ATTACH	11321 & ON	06
3	MS21044N3	. NUT-CABIN DOOR ATTACH		06
4	0511463-1	. CLIP-UPHOLSTERY		02
		ATTACHING PARTS		
5	S1021Z4-4	. SCREW		02
		—*—		
6	S2287-1	. SEAL-144.00 IN LG BKI 172	80001 81500	01
- 6A	S2287-1	. SEAL-144.00 IN LG BKI 172S	08001 10666	01
- 6B	S4011-2	. SEAL-144.00 IN LG BKI 172	81501 & ON	01
- 6C	S4011-2	. SEAL-144.00 IN LG BKI 172S	10997 & ON	01
7	0511461-1	. REINFORCEMENT-LOWER DOOR HINGE		01
8	0511464-1	. ANGLE-DOOR REINFORCEMENT		01
9	0511469-1	. BRACKET-CABIN DOOR HINGE		01
- 10	0511280-1	. HINGE-LH UPPER 172	80001 81212	01
- 10A	0511280-1	. HINGE-LH UPPER 172S	08001 09623	01
- 10B	0511280-5	. HINGE-LH UPPER 172	81213 & ON	01
- 10C	0511280-5	. HINGE-LH UPPER 172S	09624 & ON	01
11	0511237-1	. HINGE HALF ASSY-FWD UPPER		01
12	0511238-1	. HINGE HALF ASSY-AFT UPPER 172	80001 81212	01
- 12A	0511238-1	. HINGE HALF ASSY-AFT UPPER 172S	08001 09623	01
- 12B	0511238-7	. HINGE HALF ASSY-AFT UPPER 172	81213 & ON	01
- 12C	0511238-7	. HINGE HALF ASSY-AFT UPPER 172S	09624 & ON	01
13	0711001-59	. PIN-HINGE		01
- 14	2417003-1	. LOWER HINGE ASSY-LH		01
15	2417002-1	. HINGE HALF ASSY-LH		01
- 16	0517019-3	. HINGE HALF ASSY-AFT LOWER		01
17	0517019-12	. HINGE PIN		01
18		. WINDOW ASSY-CABIN DOOR REFER TO 56-30-00 FIGURE 01		RF
19	MS21047L08	. NUTPLATE-ARMREST		07
20	MS21047L08	. NUTPLATE-ARMREST		01
- 21	NAS1329S08K75	. NUT		01
22	MS21047L3	. NUTPLATE-DOOR PULL		04
23	C253001-0102	. LOCK ASSY-DOOR		01
- 24	S3547-1	. KEY ASSY		01
- 25	ASC206-2	. LOCK SET REFER TO NOTE 1	V1DWF8	01
- 26	NAS1149FN416P	. WASHER REFER TO NOTE 1		01
27	0717024-16	. CAM ASSY-DOOR LOCK		01
28	S1450-19A18-040	. WASHER		01
29	0515082-1	. HANDLE-LH CABIN DOOR 172 FSO CJ1029	80001 80781	NP
- 29A	0515082-1	. HANDLE-LH CABIN DOOR 172S FSO CJ1029	08001 08268	NP
- 29B	CJ1029	. HANDLE-LH CABIN DOOR 172 FSO CJ1043-1	80889 81090	NP R
- 29C	CJ1029	. HANDLE-LH CABIN DOOR 172S FSO CJ1043-1	08419 09026	NP R
- 29D	CJ1043-1	. HANDLE-LH CABIN DOOR 172	81091 & ON	01
- 29E	CJ1043-1	. HANDLE-LH CABIN DOOR 172S	09027 & ON	01
		ATTACHING PARTS		
30	MS35190-273	. SCREW 172	80001 81200	01 R
- 30A	MS35190-273	. SCREW 172S	08001 09568	01 R
- 30B	MS35191-273	. SCREW 172	81201 & ON	01 R
- 30C	MS35191-273	. SCREW 172S	09569 & ON	01 R
		—*—		
31	0515083-11	. BRACKET ASSY-LH	80001 80781	01
- 31A	0515083-11	. BRACKET ASSY-LH 172S	08001 08268	01
		ATTACHING PARTS		
32	MS27039-0807	. SCREW		04
33	S1477-08	. NUT		01
		—*—		
34	CM2692-28J1S	. PLUG BUTTON		01
35	S4213-1	. CLIP NUT		01
36	P580086	. EDGING-U SHAPED 3/8 INCH		AR
37	1219053-4	. EDGING-U SHAPED 172	81065 & ON	AR
- 37A	1219053-4	. EDGING-U SHAPED 172S	08880 & ON	AR
- 38	S3743-1	. EXTRUSION-WINDOW TRIM .31 X .24		AR
- 39	ASL210C	. LOCK ASSY REFER TO NOTE 2		01
- 40	MS24665-132	. COTTER PIN REFER TO NOTE 2		01
- 41	NAS1149FN416P	. WASHER REFER TO NOTE 2		01

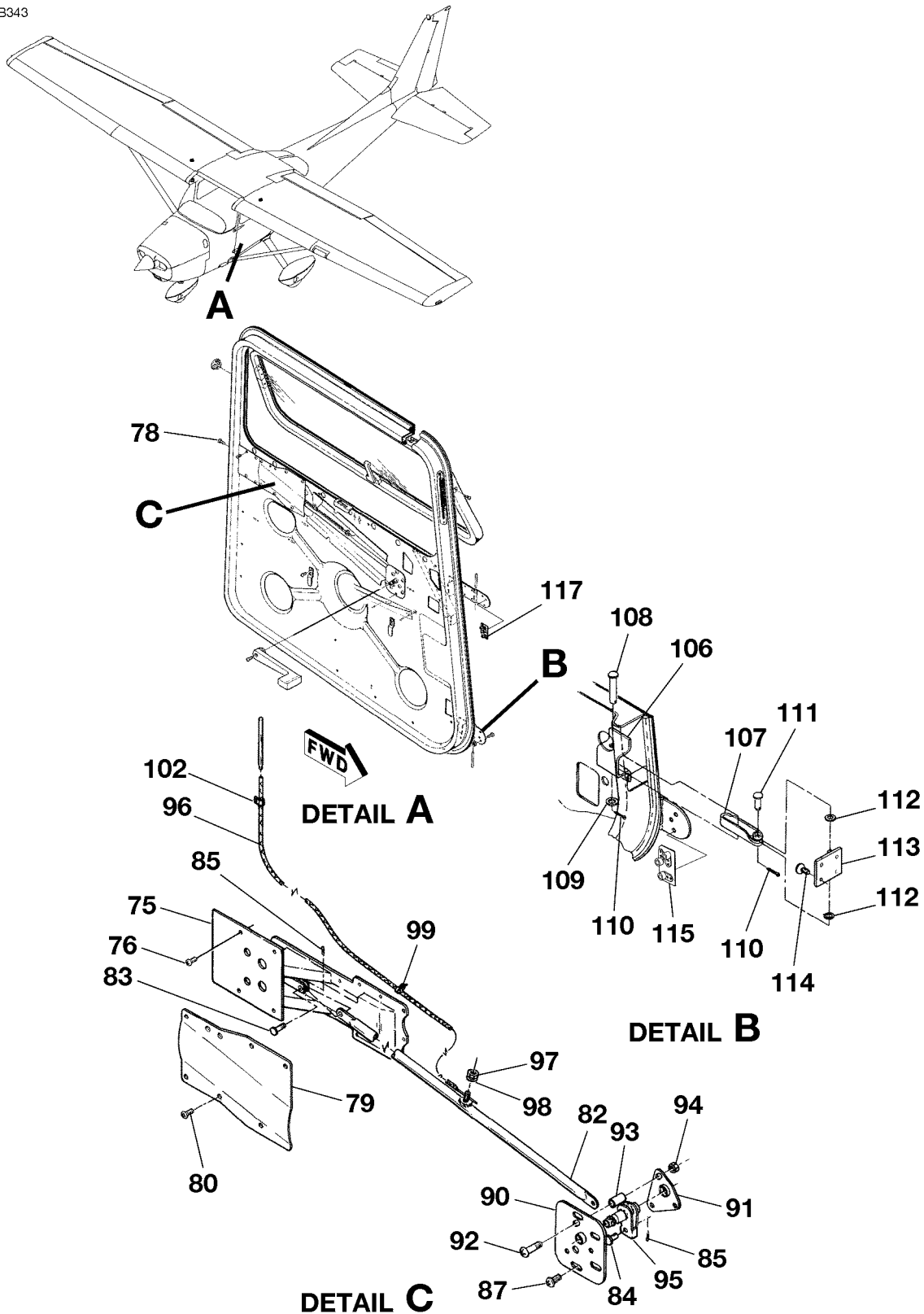
NOTE 1—AIRPLANES 17280001 AND ON AND AIRPLANES 172S8001 AND ON INCORPORATING SB04-52-01.

NOTE 2—USED WITH MEDECO LOCK OPTION ONLY.

- ITEM NOT ILLUSTRATED

CESSNA AIRCRAFT COMPANY
MODEL 172 (SERIES 1996 AND ON)
 ILLUSTRATED PARTS CATALOG

B343



CABIN DOOR INSTALLATION - LH
 FIGURE 01 (SHEET 2)

0510T1007
 A0511R1005
 B0511R1005
 C0511R2003

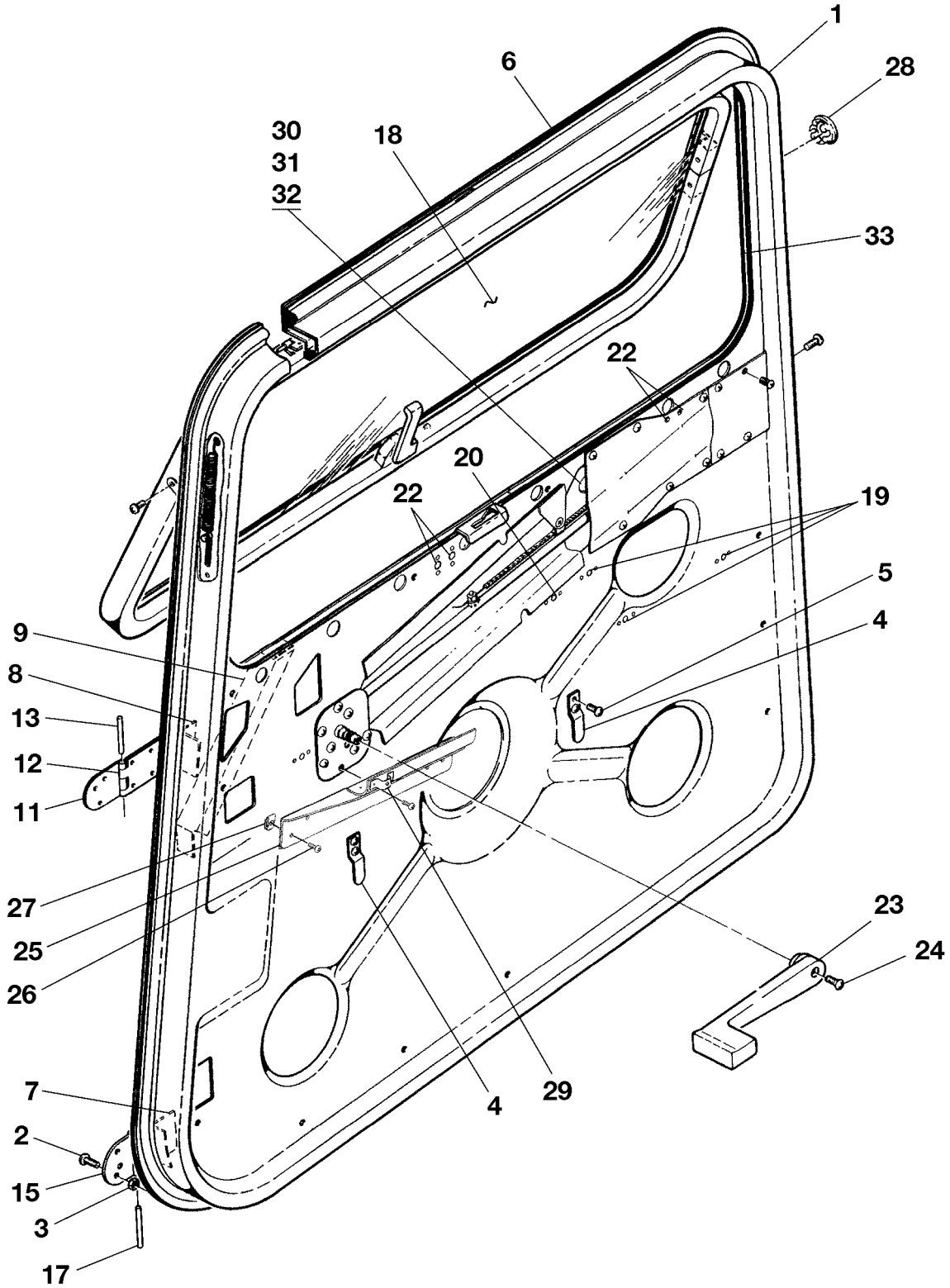
CESSNA AIRCRAFT COMPANY
MODEL 172 (SERIES 1996 AND ON)
ILLUSTRATED PARTS CATALOG

FIG ITEM	PART NUMBER	NOMENCLATURE	UNITS PER ASSY	
	1 2 3 4 5 6 7			
01				
75		LATCH ASSY-CABIN DOOR REFER TO 52-10-02 FIGURE 01		RF
		ATTACHING PARTS		
76	AN525-832R8	SCREW		04
- 77	MS21047L08	NUTPLATE		04
78	AN525-832R6	SCREW		02
		—*—		
79	0517035-1	PLATE-LH CABIN DOOR		01
		ATTACHING PARTS		
80	AN525-832R6	SCREW		06
- 81	MS21047L08	NUTPLATE		06
		—*—		
82	0517037-1	PUSH ROD ASSY		01
		ATTACHING PARTS		
83	MS20392-1C11	PIN		01
84	MS20392-1C9	PIN		01
85	MS24665-132	COTTER PIN		02
		—*—		
- 86	1217046-11	BASE PLATE ASSY		01
		ATTACHING PARTS		
87	AN525-832R6	SCREW		04
- 88	MS35333-38	WASHER-BETWEEN SCREW HEAD & BASE PLATE REPLACES AN936A8 .		04
- 89	MS21047L08	NUTPLATE		04
		—*—		
90	1217046-10	PLATE ASSY		01
91	1217046-6	BEARING ASSY		01
		ATTACHING PARTS		
92	MS27039-1-15	SCREW		03
93	NAS43HT3-45	SPACER		03
94	MS21083N3	NUT		03
		—*—		
95	1217050-5	SHAFT ASSY		01
96	9860065-1	CONTROL ASSY-UPPER AFT PIN		01
		ATTACHING PARTS		
97	MS21042L4	NUT		01
98	NAS1149F0463P	WASHER		01
99	S2226-2	CLAMP		01
- 100	MS35207-261	SCREW		01
- 101	MS21044N3	NUT		01
102	S2226-2	CLAMP		01
- 103	AN525-832R6	SCREW		01
- 104	S1450-2A4-062	WASHER		AR
- 105	S1477-08	NUT		01
		—*—		
106	0517018-8	DOOR STOP BRACKET		01
107	0517023-1	DOOR STOP SPRING 172 FSO 0511042-3	80001 81566	NP
- 107A	0517023-1	DOOR STOP SPRING 172S FSO 0511042-3	08001 11052	NP
- 107B	0511042-3	DOOR STOP SPRING 172	81567 & ON	01
- 107C	0511042-3	DOOR STOP SPRING 172S	11053 & ON	01
		ATTACHING PARTS		
108	MS20392-4C47	PIN		01
109	NAS1149D0516H	WASHER		01
110	MS24665-281	COTTER PIN		02
111	MS20392-4C27	PIN		01
- 111A	MS20392-4C33	PIN ALT FOR MS20392-4C27		01
112	S1450-5B8-016	WASHER 172	80001 81566	02
- 112A	S1450-5B8-016	WASHER 172S	08001 11052	02
		—*—		
113	2417001-1	BRACKET ASSY-DOORPOST 172 FSO 0511042-5	80001 81566	NP
- 113A	2417001-1	BRACKET ASSY-DOORPOST 172S FSO 0511042-5	08001 11052	NP
- 113B	0511042-5	BRACKET ASSY-DOORPOST 172	81567 & ON	01
- 113C	0511042-5	BRACKET ASSY-DOORPOST 172S	11053 & ON	01
		ATTACHING PARTS		
114	NAS514P1032-10	SCREW		04
		—*—		
115	0511826-5	LOWER BACK PLATE ASSY-LH 172	81623 & ON	01
- 115A	0511826-5	LOWER BACK PLATE ASSY-LH 172S	11321 & ON	01
- 116	0511826-6	LOWER BACK PLATE ASSY-RH 172	81623 & ON	01
- 116A	0511826-6	LOWER BACK PLATE ASSY-RH 172S	11321 & ON	01
117	0511826-3	UPPER BACK PLATE ASSY-LH 172	81623 & ON	01
- 117A	0511826-3	UPPER BACK PLATE ASSY-LH 172S	11321 & ON	01
- 118	0511826-4	UPPER BACK PLATE ASSY-RH 172	81623 & ON	01
- 118A	0511826-4	UPPER BACK PLATE ASSY-RH 172S	11321 & ON	01
- 119	FAK-201CC/KEY	172 KEY GUARDS (2 PCS) 172	81545 81592	01
- 119A	FAK-201CC/KEY	172 KEY GUARDS (2 PCS) 172S	10886 11120	01

- ITEM NOT ILLUSTRATED

CESSNA AIRCRAFT COMPANY
MODEL 172 (SERIES 1996 AND ON)
ILLUSTRATED PARTS CATALOG

B344



CABIN DOOR INSTALLATION - RH
FIGURE 02 (SHEET 1)

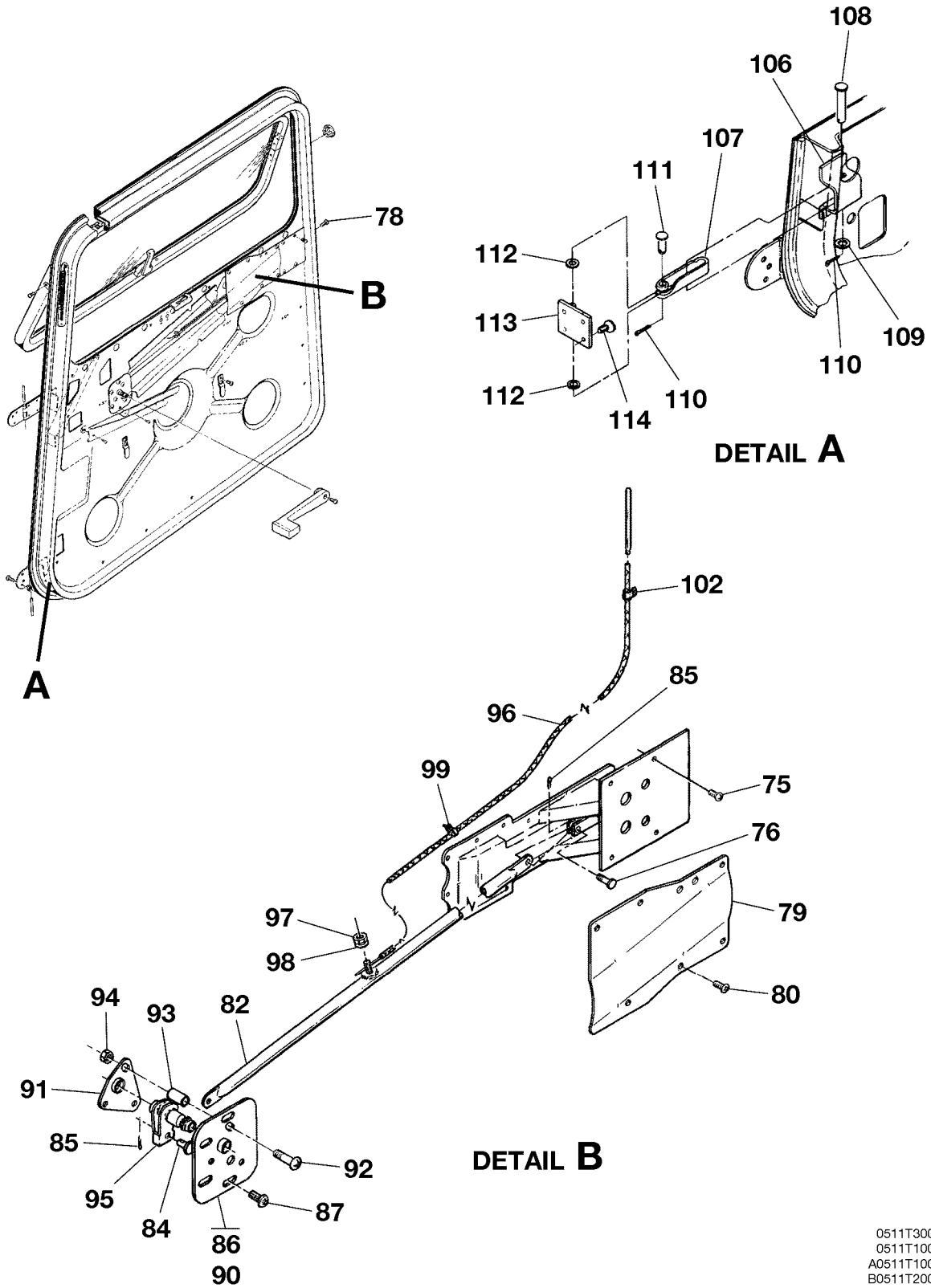
0511R3001

CESSNA AIRCRAFT COMPANY
MODEL 172 (SERIES 1996 AND ON)
ILLUSTRATED PARTS CATALOG

FIG ITEM	PART NUMBER	NOMENCLATURE			UNITS PER ASSY
	1 2 3 4 5 6 7				
02		CABIN DOOR INSTALLATION - RH			RF
- 1	0517001-40	. CABIN DOOR ASSY 172	80001	81212	01
- 1A	0517001-40	. CABIN DOOR ASSY 172S	08001	09623	01
- 1B	0517001-42	. CABIN DOOR ASSY 172	81213	& ON	01
- 1C	0517001-42	. CABIN DOOR ASSY 172S	09624	& ON	01
		ATTACHING PARTS			
2	AN525-10R8	. SCREW			06
3	MS21044N3	. NUT			06
		—*—			
4	0511463-1	. CLIP-UPHOLSTERY			02
		ATTACHING PARTS			
5	S1021Z4-4	. SCREW			02
		—*—			
6	S2287-1	. SEAL-144.00 IN LG BKI			01
7	0511461-1	. REINFORCEMENT-LOWER DOOR HINGE			01
8	0511464-1	. ANGLE-DOOR REINFORCEMENT			01
9	0511469-2	. BRACKET-CABIN DOOR HINGE			01
- 10	0511280-2	. HINGE ASSY-RH UPPER 172	80001	81212	01
- 10A	0511280-2	. HINGE ASSY-RH UPPER 172S	08001	09623	01
- 10B	0511280-6	. HINGE ASSY-RH UPPER 172	81213	& ON	01
- 10C	0511280-6	. HINGE ASSY-RH UPPER 172S	09624	& ON	01
11	0511237-2	. HINGE HALF-FWD UPPER			01
12	0511238-2	. HINGE HALF-AFT UPPER 172	80001	81212	01
- 12A	0511238-2	. HINGE HALF-AFT UPPER 172S	08001	09623	01
- 12B	0511238-8	. HINGE HALF-AFT UPPER 172	81213	& ON	01
- 12C	0511238-8	. HINGE HALF-AFT UPPER 172S	09624	& ON	01
13	0711001-59	. HINGE PIN			01
- 14	2417003-2	. HINGE ASSY-RH LOWER			01
15	2417002-2	. HINGE HALF-FWD LOWER			01
- 16	0517019-4	. HINGE HALF-AFT LOWER			01
17	0517019-12	. HINGE PIN			01
18		. WINDOW ASSY-CABIN DOOR REFER TO 56-30-00 FIGURE 01			RF
19	MS21047L08	. NUTPLATE-ARMREST			07
20	MS21047L08	. NUTPLATE-ARMREST			01
- 21	NAS1329S08K75	. RIVNUT			01
22	MS21047L3	. NUTPLATE-DOOR PULL			04
23	0515082-2	. HANDLE-RH CABIN DOOR 172 FSO CJ1028	80001	80781	NP R
- 23A	0515082-2	. HANDLE-RH CABIN DOOR 172S FSO CJ1028	08001	08268	NP R
- 23B	CJ1028	. HANDLE-RH CABIN DOOR 172 FSO CJ1042-1	80889	81090	NP R
- 23C	CJ1028	. HANDLE-RH CABIN DOOR 72S FSO CJ1042-1	08419	09026	NP R
- 23D	CJ1042-1	. HANDLE-RH CABIN DOOR 172	81091	& ON	01
- 23E	CJ1042-1	. HANDLE-RH CABIN DOOR 172S	09027	& ON	01
		ATTACHING PARTS			
24	MS35190-273	. SCREW 172	80001	81200	01 R
- 24A	MS35190-273	. SCREW 172S	08001	09568	01 R
- 24B	MS35191-273	. SCREW 172	81201	& ON	01 R
- 24C	MS35191-273	. SCREW 172S	09569	& ON	01 R
		—*—			
25	0515083-12	. BRACKET ASSY-RH 172	80001	80781	01
- 25A	0515083-12	. BRACKET ASSY-RH 172S	08001	08268	01
		ATTACHING PARTS			
26	MS27039-0807	. SCREW			04
27	S1477-08	. NUT			01
		—*—			
28	CM2692-28J1S	. PLUG BUTTON			01
29	S4213-1	. CLIP NUT			01
30		. LOCK ASSY-DOOR REFER TO 52-10-00 FIGURE 01			RF
- 30A		. KEY BLANK REFER TO 52-10-00 FIGURE 01			RF
31		. CAM-DOOR LOCK REFER TO 52-10-00 FIGURE 01			RF
32		. WASHER REFER TO 52-10-00 FIGURE 01			RF
33		. EDGING REFER TO 52-10-00 FIGURE 01			RF

CESSNA AIRCRAFT COMPANY
MODEL 172 (SERIES 1996 AND ON)
 ILLUSTRATED PARTS CATALOG

B345



CABIN DOOR INSTALLATION - RH
 FIGURE 02 (SHEET 2)

0511T3001
 0511T1004
 A0511T1005
 B0511T2003

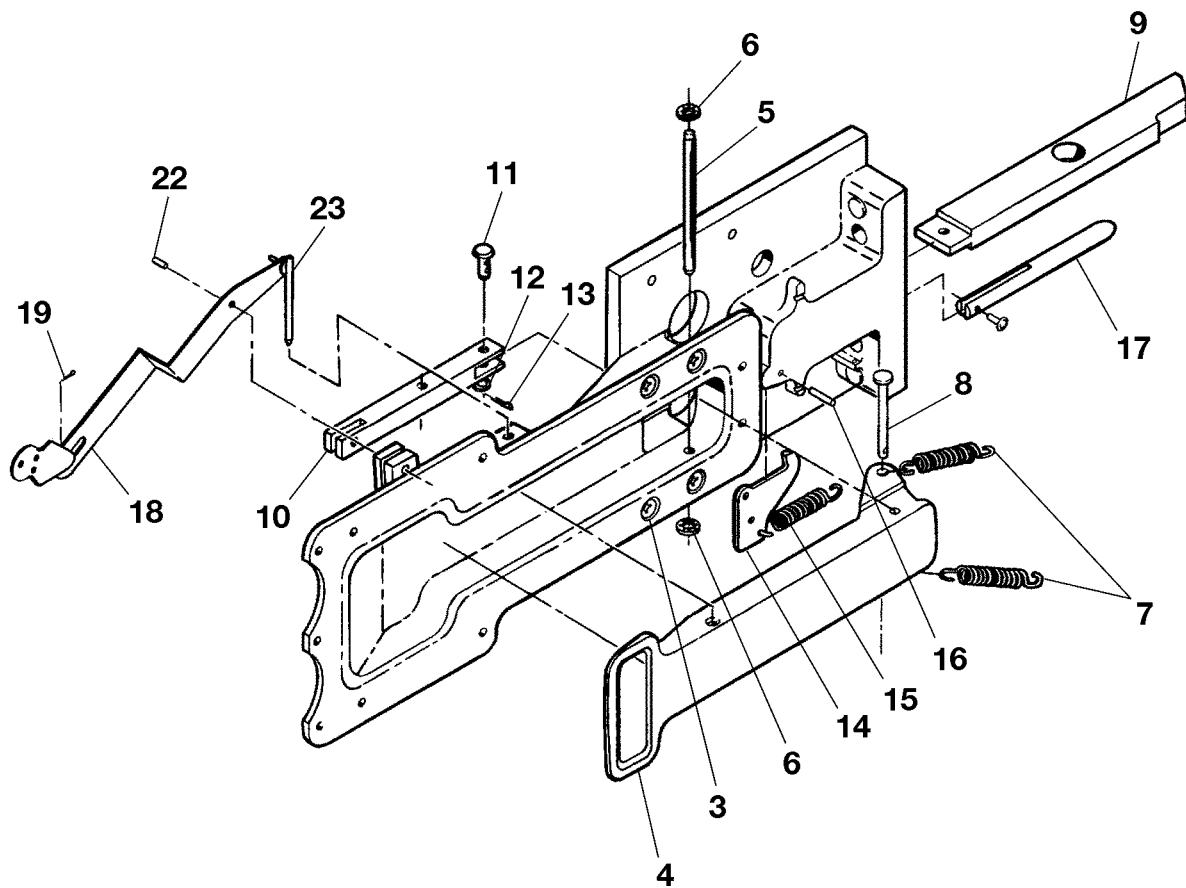
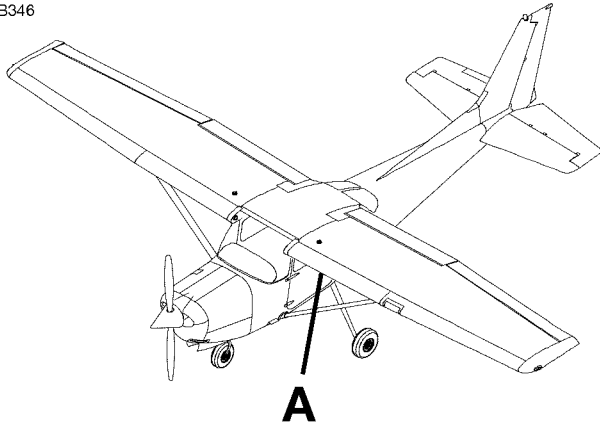
CESSNA AIRCRAFT COMPANY
MODEL 172 (SERIES 1996 AND ON)
ILLUSTRATED PARTS CATALOG

FIG ITEM	PART NUMBER	NOMENCLATURE	UNITS	
			PER	ASSY
02				
75		.. LATCH ASSY-CABIN DOOR REFER TO 52-10-02 FIGURE 01		RF
		.. ATTACHING PARTS		
76	AN525-832R8	.. SCREW		04
- 77	MS21047L08	.. NUTPLATE		04
78	AN525-832R6	.. SCREW		02
		—*—		
79	0517035-2	.. PLATE-RH CABIN DOOR		01
		.. ATTACHING PARTS		
80	AN525-832R6	.. SCREW		06
- 81	MS21047L08	.. NUTPLATE		06
		—*—		
82	0517037-1	.. PUSH ROD ASSY		01
		.. ATTACHING PARTS		
- 83	MS20392-1C11	.. PIN		01
84	MS20392-1C9	.. PIN		01
85	MS24665-132	.. COTTER PIN		02
		—*—		
86	1217046-11	.. BASE PLATE ASSY		01
		.. ATTACHING PARTS		
87	AN525-832R6	.. SCREW		04
- 88	MS35335-1	.. WASHER-BETWEEN SCREW HEAD AND BASE PLATE WAS MS35335-1 ..		04
- 89	MS21047L08	.. NUTPLATE		04
		—*—		
90	1217046-10	.. PLATE ASSY		01
91	1217046-6	.. BEARING ASSY		01
		.. ATTACHING PARTS		
92	MS27039-1-15	.. SCREW		03
93	NAS43HT3-45	.. SPACER		03
94	MS21083N3	.. NUT		03
		—*—		
95	1217050-6	.. SHAFT ASSY		01
96	9860065-1	.. CONTROL ASSY-AFT UPPER PIN		01
		.. ATTACHING PARTS		
97	MS21042L4	.. NUT		01
98	NAS1149F0463P	.. WASHER		01
99	S2226-2	.. CLAMP		01
- 100	MS35207-261	.. SCREW		01
- 101	MS21044N3	.. NUT		01
102	S2226-2	.. CLAMP		01
- 103	AN525-832R6	.. SCREW		01
- 104	S1450-2A4-062	.. WASHER		AR
- 105	S1477-08	.. NUT		01
		—*—		
106	0517018-8	.. BRACKET-DOOR STOP		01
107	0517023-1	.. SPRING-DOOR STOP 172 FSO 0511042-3	80001 81566	NP
- 107A	0517023-1	.. SPRING-DOOR STOP 172S FSO 0511042-3	08001 11052	NP
- 107B	0511042-3	.. SPRING-DOOR STOP 172	81567 & ON	01
- 107C	0511042-3	.. SPRING-DOOR STOP 172S	11053 & ON	01
		.. ATTACHING PARTS		
108	MS20392-4C47	.. PIN		01
109	NAS1149D0516H	.. WASHER		01
110	MS24665-281	.. COTTER PIN		02
111	MS20392-4C27	.. PIN		01
- 111A	MS20392-4C33	.. PIN ALT FOR MS20392-4C27		01
112	S1450-5B8-016	.. WASHER 172	80001 81566	02
- 112A	S1450-5B8-016	.. WASHER 172S	08001 11052	02
		—*—		
113	2417001-2	.. BRACKET ASSY-DOORPOST 172 FSO 0511042-6	80001 81566	NP
- 113A	2417001-2	.. BRACKET ASSY-DOORPOST 172S FSO 0511042-6	08001 11052	NP
- 113B	0511042-6	.. BRACKET ASSY-DOORPOST 172	81567 & ON	01
- 113C	0511042-6	.. BRACKET ASSY-DOORPOST 172S	11053 & ON	01
		.. ATTACHING PARTS		
114	NAS514P1032-10	.. SCREW		04
		—*—		

- ITEM NOT ILLUSTRATED

CESSNA AIRCRAFT COMPANY
MODEL 172 (SERIES 1996 AND ON)
ILLUSTRATED PARTS CATALOG

B346



DETAIL A

CABIN DOOR LATCH ASSEMBLY EXTERIOR
FIGURE 01 (SHEET 1)

0510T1007
A0511R2001

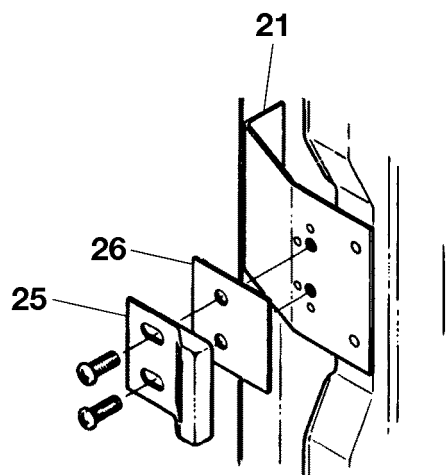
CESSNA AIRCRAFT COMPANY
MODEL 172 (SERIES 1996 AND ON)
ILLUSTRATED PARTS CATALOG

FIG ITEM	PART NUMBER	NOMENCLATURE	UNITS	
			PER	ASSY
01		CABIN DOOR LATCH ASSEMBLY EXTERIOR		RF
-				
- 1	0717023-3	. LATCH ASSY-CABIN DOOR 172	80001	81353 01 R
- 1A	0717023-3	. LATCH ASSY-CABIN DOOR 172S	08001	10386 01 R
- 1B	0717042-2	. LATCH ASSY-CABIN DOOR 172	81354	81622 01 R
- 1C	0717042-2	. LATCH ASSY-CABIN DOOR 172S	10387	11320 01 R
- 1D	0717042-6	. LATCH ASSY-CABIN DOOR 172	81623	& ON 01 R
- 1E	0717042-6	. LATCH ASSY-CABIN DOOR 172S	11321	& ON 01 R
- 2	0717024-27	. LATCH BASE ASSY		01
3	MS51862-24C	. . . SCREW V93907		04
4	0717024-12	. HANDLE-OUTSIDE DOOR 172	80001	81353 01 R
- 4A	0717024-12	. HANDLE-OUTSIDE DOOR 172S	08001	10386 01 R
- 4B	0717042-3	. HANDLE-OUTSIDE DOOR 172	81354	& ON 01 R
- 4C	0717042-3	. HANDLE-OUTSIDE DOOR 172S	10387	& ON 01 R
		ATTACHING PARTS		
5	0717024-10	. PIN-PIVOT		01
6	MS35333-36	. WASHER-LOCK, FLAT		02
		—*—		
7	0717026-3	. SPRING		02
8	MS20392-1C35	. PIN		01
9	0717024-24	. BOLT-CABIN DOOR LATCH 172	80001	81622 01 R
- 9A	0717024-24	. BOLT-CABIN DOOR LATCH 172S	08001	11320 01 R
- 9B	0717043-2	. BOLT-CABIN DOOR LATCH 172	81623	& ON 01 R
- 9C	0717043-2	. BOLT-CABIN DOOR LATCH 172S	11321	& ON 01 R
10	0717024-4	. PULL BAR		01
		ATTACHING PARTS		
11	MS20392-1C11	. PIN		01
12	AN960-4L	. WASHER 172 FSO NAS1149FN416P	80001	81353 NP R
- 12A	AN960-4L	. WASHER 172S FSO NAS1149FN416P	08001	10386 NP R
- 12B	NAS1149FN416P	. WASHER 172	81354	& ON 01 R
- 12C	NAS1149FN416P	. WASHER 172S	10387	& ON 01 R
13	MS24665-132	. COTTER PIN		01
		—*—		
14	0717024-7	. CATCH		01
		ATTACHING PARTS		
15	0717026-1	. SPRING		01
16	NAS561-3-16	. PIN		01
		—*—		
17	0717024-6	. PUSH ROD		01
18	0717024-25	. LOCKING ARM-LH ONLY		01 R
		ATTACHING PARTS		
19	MS24665-132	. COTTER PIN		01 R
- 20	NAS1149FN416P	. WASHER-BETWEEN COTTER PIN & LOCKING ARM		01 R
- 21	NAS1149FN432P	. WASHER-BETWEEN LOCKING ARM & CAM		01 R
22	NAS561-3-6	. PIN		01 R
		—*—		
23	0717024-18	. PIN ASSY-LH DOOR ONLY		01 R
- 24	P580086	. EDGING U SHAPED 3/8 INCH		AR R

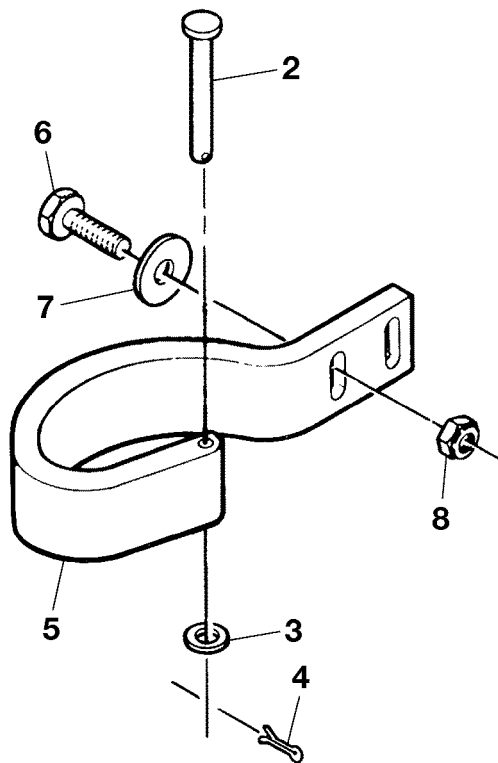
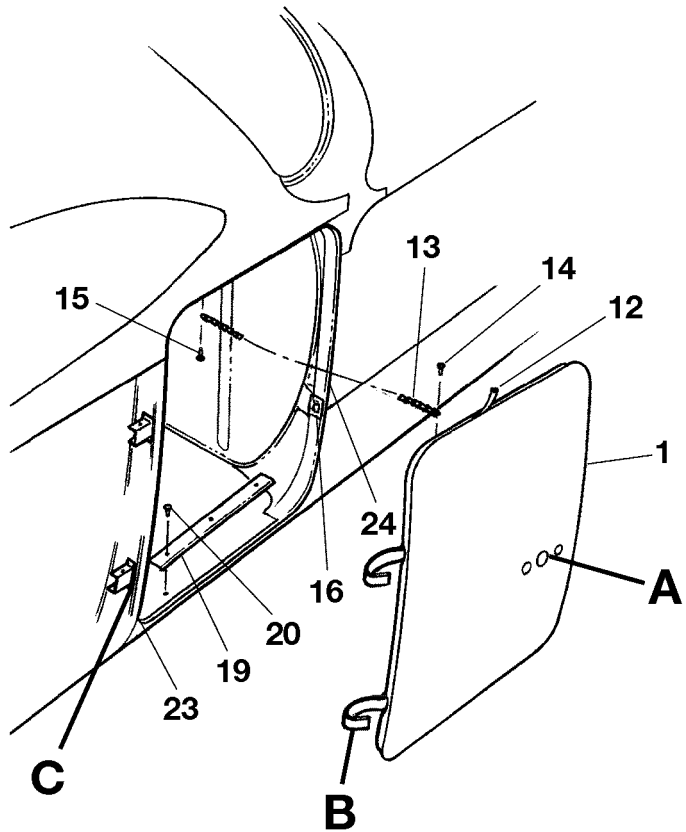
- ITEM NOT ILLUSTRATED

CESSNA AIRCRAFT COMPANY
MODEL 172 (SERIES 1996 AND ON)
 ILLUSTRATED PARTS CATALOG

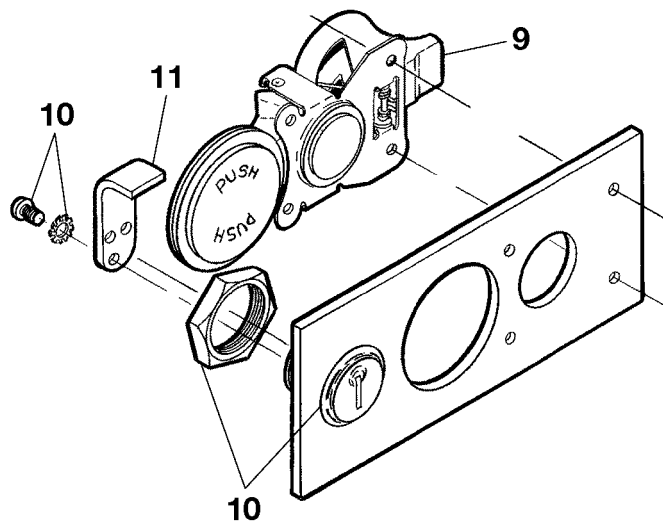
B347



DETAIL C



DETAIL B



DETAIL A

BAGGAGE DOOR INSTALLATION
 FIGURE 01 (SHEET 1)

0512T1004
 A0512T1006
 B0512T1005
 C0512T1007

CESSNA AIRCRAFT COMPANY
MODEL 172 (SERIES 1996 AND ON)
ILLUSTRATED PARTS CATALOG

FIG ITEM	PART NUMBER	NOMENCLATURE	UNITS	
			PER	ASSY
01		BAGGAGE DOOR INSTALLATION		RF
- 1	0717037-6	. DOOR ASSY-BAGGAGE 172 FSO 0717037-8	80001	81576 NP
- 1A	0717037-6	. DOOR ASSY-BAGGAGE 172S FSO 0717037-8	08001	11097 NP
- 1B	0717037-8	. DOOR ASSY-BAGGAGE 172	81577	& ON 01
- 1C	0717037-8	. DOOR ASSY-BAGGAGE 172S	11098	& ON 01
		ATTACHING PARTS		
2	MS20392-1C39	. PIN		02
3	NAS1149DN432K	. WASHER		02
4	MS24665-132	. COTTER PIN		02
		—*—		
5	0512200-2	. . HINGE-BAGGAGE DOOR		02
		ATTACHING PARTS		
6	AN3-5A	. . BOLT		02
7	AN970-3	. . WASHER		02
8	MS21044N3	. . NUT		02
		—*—		
9	S2455-1	. . LATCH ASSY-BAGGAGE DOOR		01
10	C253001-0101	. . LOCK ASSY-BAGGAGE DOOR		01
- 10A	S3547-1	. . . KEY BLANK MILLENNIUM & SPARES		01
- 10B	ASC206-2	. . LOCK ASSY REFER TO NOTE 2	V1DWF8	01
11	0717040-1	. . CAM-BAGGAGE DOOR LOCK		01
12	S1084-1	. . SEAL BKI 80.00 IN LG		01
- 12A	CM3573-1	. . SEAL BKI 80.00 IN LG REFER TO NOTE 1		01
13	S1194-1-17	. CHAIN ASSY-BAGGAGE DOOR		01
		ATTACHING PARTS		
14	MS35206-245	. SCREW		01 R
15	AN525-832R8	. SCREW		01
		—*—		
16	0311319-1	. PLATE-BAGGAGE DOOR LATCH		01
		ATTACHING PARTS		
- 17	AN515-8R6	. SCREW		02
		—*—		
- 18	0311319-2	. SHIM-BAGGAGE DOOR LATCH PLATE		AR
19	0311623-1	. SCUFF PLATE		01
		ATTACHING PARTS		
20	S1021Z4-4	. SCREW		03
		—*—		
21	0512066-1	. BRACKET ASSY-STRIKE		01
- 22	NAS684A08	. . NUTPLATE		02
- 22A	MS21055L08	. . NUTPLATE ALT FOR NAS684A08		02
23	0711101-45	. STOP-BAGGAGE DOOR FWD		01
24	0711101-34	. STOP-BAGGAGE DOOR AFT		01
25	0311319-1	. STRIKER PLATE-BAGGAGE DOOR		01
26	0311319-2	. SHIM-STRIKE PLATE		01
		ATTACHING PARTS		
- 27	AN515-8R6	. SCREW		02
		—*—		
- 28		. FUSELAGE BAGGAGE AREA REFER TO 53-20-00 FIGURE 01		RF
- 29	AS210PB	. LOCK ASSY REFER TO NOTE 3		01
- 30	FAK-201CC/KEY	. 172 KEY GUARDS (2 PCS) 172	81545	81592 01
- 30A	FAK-201CC/KEY	. 172 KEY GUARDS (2 PCS) 172S	10886	11120 01

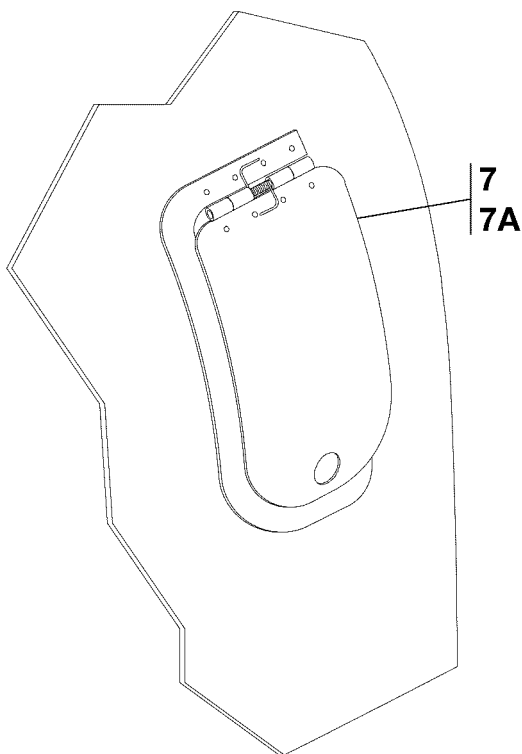
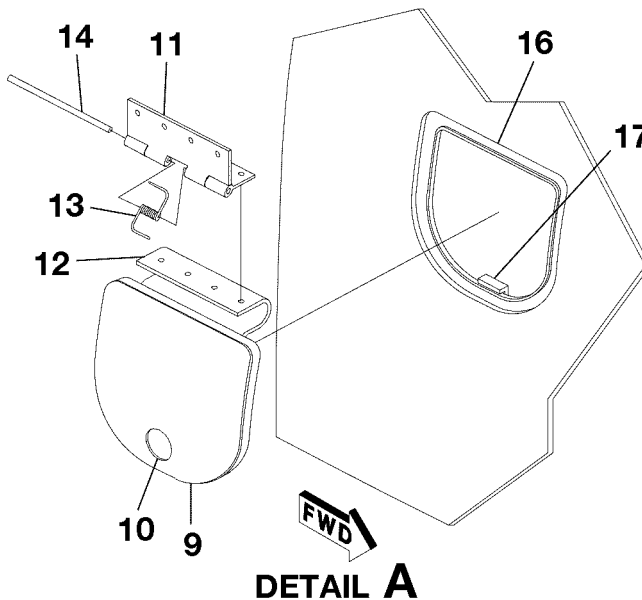
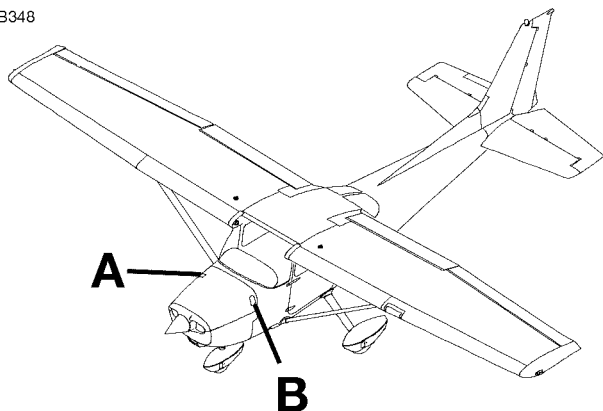
NOTE 1—AIRPLANES 17280001 THRU 17280067 INCORPORATING SB98-52-01.

NOTE 2—AIRPLANES 17280001 AND ON AND AIRPLANES 172S8001 AND ON INCORPORATING SB04-52-01.

NOTE 3—USED WITH MEDECO LOCK OPTION ONLY.

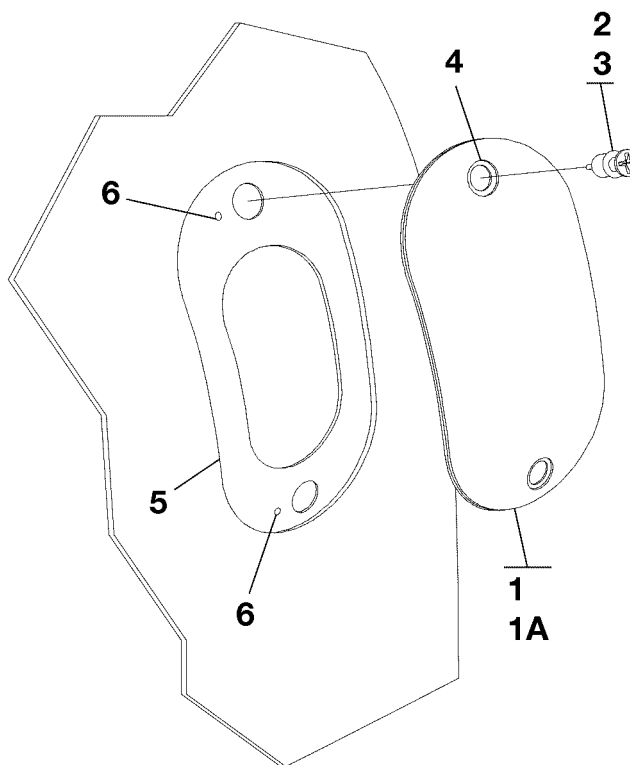
CESSNA AIRCRAFT COMPANY
MODEL 172 (SERIES 1996 AND ON)
 ILLUSTRATED PARTS CATALOG

B348



DETAIL B

AIRPLANES 17280831 THRU 17281262 AND
 AIRPLANES 172S8348 THRU 172S10006



DETAIL B

AIRPLANES 17280001 THRU 17280830 AND
 AIRPLANES 172S8001 THRU 172S8347

0510T1007
 A0552T1004
 B0552T1001

SERVICE DOORS
 FIGURE 01 (SHEET 1)

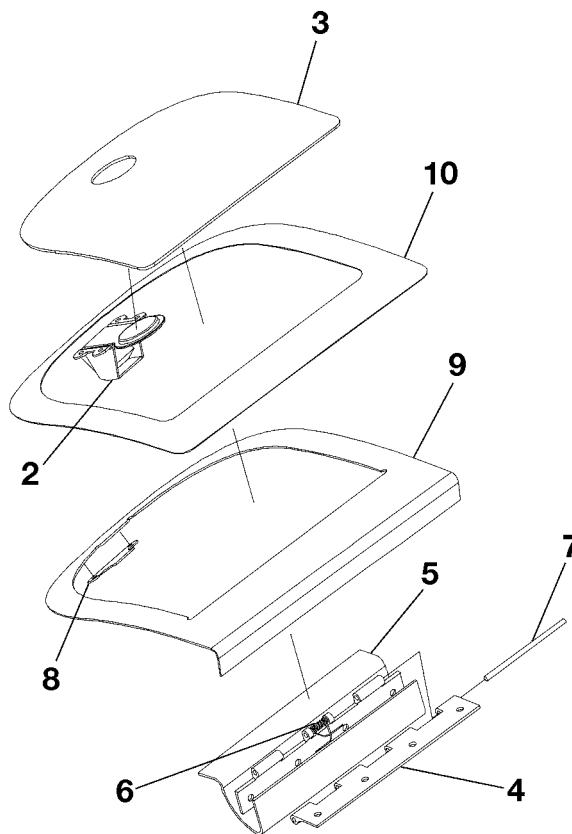
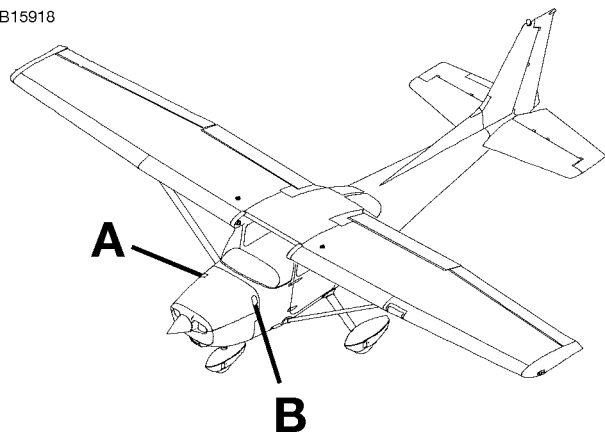
CESSNA AIRCRAFT COMPANY
MODEL 172 (SERIES 1996 AND ON)
 ILLUSTRATED PARTS CATALOG

FIG ITEM	PART NUMBER	NOMENCLATURE	UNITS PER ASSY		
			1	2	3
01					
-		SERVICE DOORS	80001	81262	RF R
			08001	10006	
1	0552235-1	. DOOR-GROUND POWER RECEPTACLE 172	80001	80830	01 R
1A	0552235-1	. DOOR-GROUND POWER RECEPTACLE 172S	80001	08347	01 R
2	S2319-2	. STUD FSO S3412-102			NP R
- 2A	S3412-102	. FASTENER			02 R
3	CM2791-1	. SNAP RING			02 R
4	S2319-23	. GROMMET FSO S2319-65			NP R
- 4A	S2319-65	. GROMMET			02 R
5	0552235-2	. DOUBLER			01 R
6	S2319-50	. RECEPTACLE			02 R
7	0550366-1	. DOOR ASSY-GROUND POWER RECEPTACLE 172	80831	81262	01 R
7A	0550366-1	. DOOR ASSY-GROUND POWER RECEPTACLE 172S	08348	10006	01 R
- 8	0550366-4	. . HINGE ASSY			01 R
- 8A	0550366-7	. . SHIM			01 R
- 8B	S2319-23	. . GROMMET FSO S2319-65			NP R
- 8C	S2319-65	. . GROMMET			01 R
- 8D	CM2791-1	. . SNAP RING			01 R
9	0552173-27	. ACCESS DOOR ASSY-COWL			01 R
10	KM610-064	. . LATCH V71286			01
11	1552004-22	. . HINGE HALF			01
12	1552004-24	. . RETAINER ASSY			01
13	1552010-1	. . SPRING			01
14	1552004-17	. . PIN-HINGE			01
- 15	1752002-3	. SHIM-ACCESS DOOR DOUBLER			01
16	1552004-32	. DOUBLER			01
17	1552004-25	. STRIKER			01
- 18		. COWL ASSY REFER TO 71-10-00 FIGURE 01			RF

- ITEM NOT ILLUSTRATED

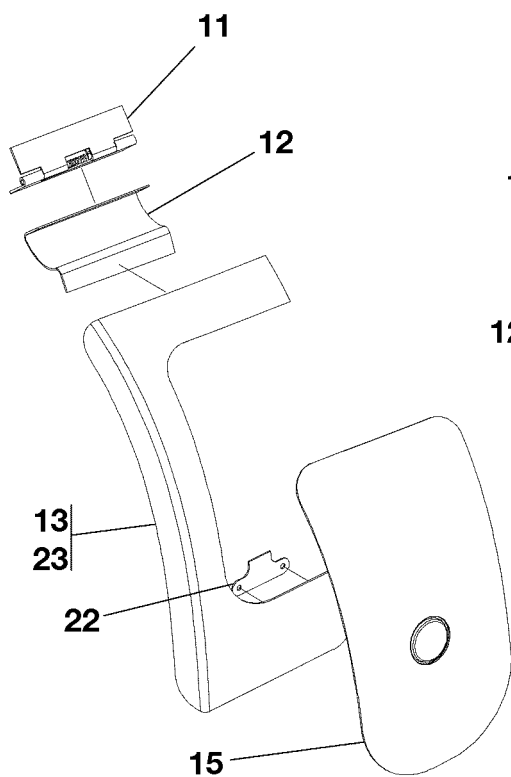
CESSNA AIRCRAFT COMPANY
MODEL 172 (SERIES 1996 AND ON)
 ILLUSTRATED PARTS CATALOG

B15918



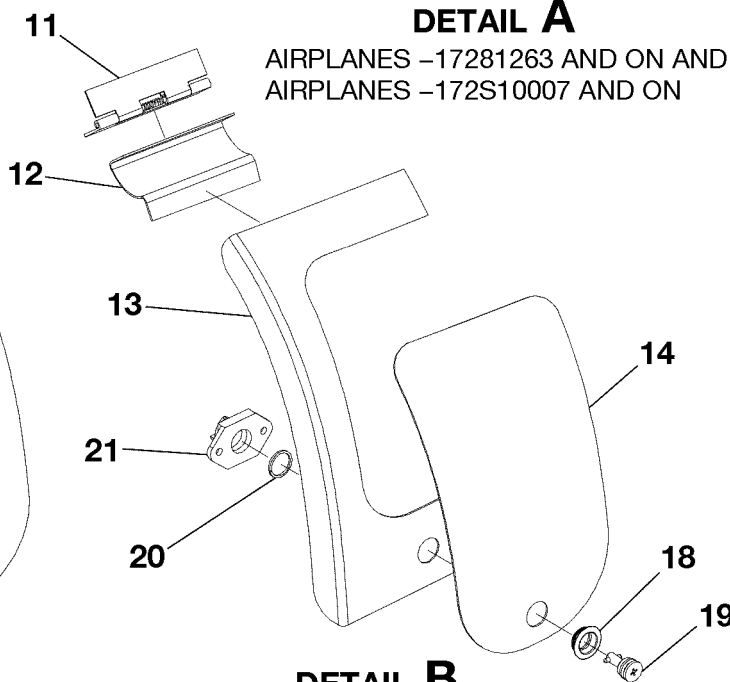
DETAIL A

AIRPLANES -17281263 AND ON AND
 AIRPLANES -172S10007 AND ON



DETAIL B

AIRPLANES -17281574 AND ON AND
 AIRPLANES -172S11079 AND ON



DETAIL B

AIRPLANES -17281263 THRU 17281573 AND
 AIRPLANES -172S10007 THRU 172S11078

0510T1007
 A0552T1008
 B0552T1008
 B0552T1009

SERVICE DOORS
 FIGURE 02 (SHEET 1)

CESSNA AIRCRAFT COMPANY
MODEL 172 (SERIES 1996 AND ON)
ILLUSTRATED PARTS CATALOG

FIG ITEM	PART NUMBER	NOMENCLATURE	UNITS PER ASSY		
			1	2	3
02					
-		SERVICE DOORS	81263	& ON	RF
			10007	& ON	
- 1	0552240-24	. ACCESS DOOR ASSY 172			01
- 1A	0552240-24	. ACCESS DOOR ASSY 172S			01
2	KM610-064	. . LATCH			01
3	0552240-25	. . DOOR			01
4	1552004-22	. . HINGE HALF			01
5	1552004-24	. . RETAINER ASSY			01
6	1552010-1	. . SPRING			01
7	1552004-17	. . PIN			01
8	1552004-25	. . STRIKER			01
9	0552240-19	. DOUBLER 172	81263	81483	01 R
- 9A	0552240-19	. DOUBLER 172S	10006	10642	01 R
- 9B	0552240-27	. DOUBLER 172	81484	& ON	01 R
- 9C	0552240-27	. DOUBLER 172S	10643	& ON	01 R
10	0552240-26	. SHIM			01 R
11	0550366-4	. HINGE ASSY			01 R
12	0552240-21	. RETAINER			01 R
13	0552240-18	. DOUBLER 172 FSO 0552240-22	81263	81535	NP R
- 13A	0552240-18	. DOUBLER 172S FSO 0552240-22	10007	10770	NP R
- 13B	0552240-22	. DOUBLER 172	81536	& ON	01 R
- 13C	0552240-22	. DOUBLER 172S	10771	& ON	01 R
14	0552240-16	. DOOR 172	81263	81573	01 R
- 14A	0552240-16	. DOOR 172S	10007	11078	01 R
15	0552240-35	. DOOR ASSY 172 FSO 0552240-38	81574	81622	NP R
- 15A	0552240-35	. DOOR ASSY 172S FSO 0552240-38	11079	11237	NP R
- 15B	0552240-38	. DOOR ASSY 172	81623	& ON	01 R
- 15C	0552240-38	. DOOR ASSY 172S	11238	& ON	01 R
- 16	0552240-34	. . DOOR 172	81574	81622	01 R
- 16A	0552240-34	. . DOOR 172S	11079	11237	01 R
- 16B	0552240-37	. . DOOR 172	81623	& ON	01 R
- 16C	0552240-37	. . DOOR 172S	11238	& ON	01 R
- 17	KM610-064	. . LATCH	V71286		01 R
18	S2319-23	. GROMMET 172	81263	81483	01 R
- 18A	S2319-23	. GROMMET 172S	10007	10642	01 R
- 18B	S2319-65	. GROMMET 172	81484	81573	01 R
- 18C	S2319-65	. GROMMET 172S	10643	11078	01 R
19	S2319-2	. STUD 172	81263	81483	01 R
- 19A	S2319-2	. STUD 172S	10007	10642	01 R
- 19B	S2319C2	. STUD 172	81484	81573	01 R
- 19C	S2319C2	. STUD 172S	10643	11078	01 R
20	CM2791-1	. SNAP RING			01 R
21	S2319-50	. RECEPACLE			01 R
22	1552004-25	. STRIKER			01 R
23	0552240-39	. SHIM 172	81623	& ON	01 R
- 23A	0552240-39	. SHIM 172S	11238	& ON	01 R

- ITEM NOT ILLUSTRATED

CHAPTER

53

FUSELAGE

CESSNA AIRCRAFT COMPANY
MODEL 172 (SERIES 1996 AND ON)
 ILLUSTRATED PARTS CATALOG

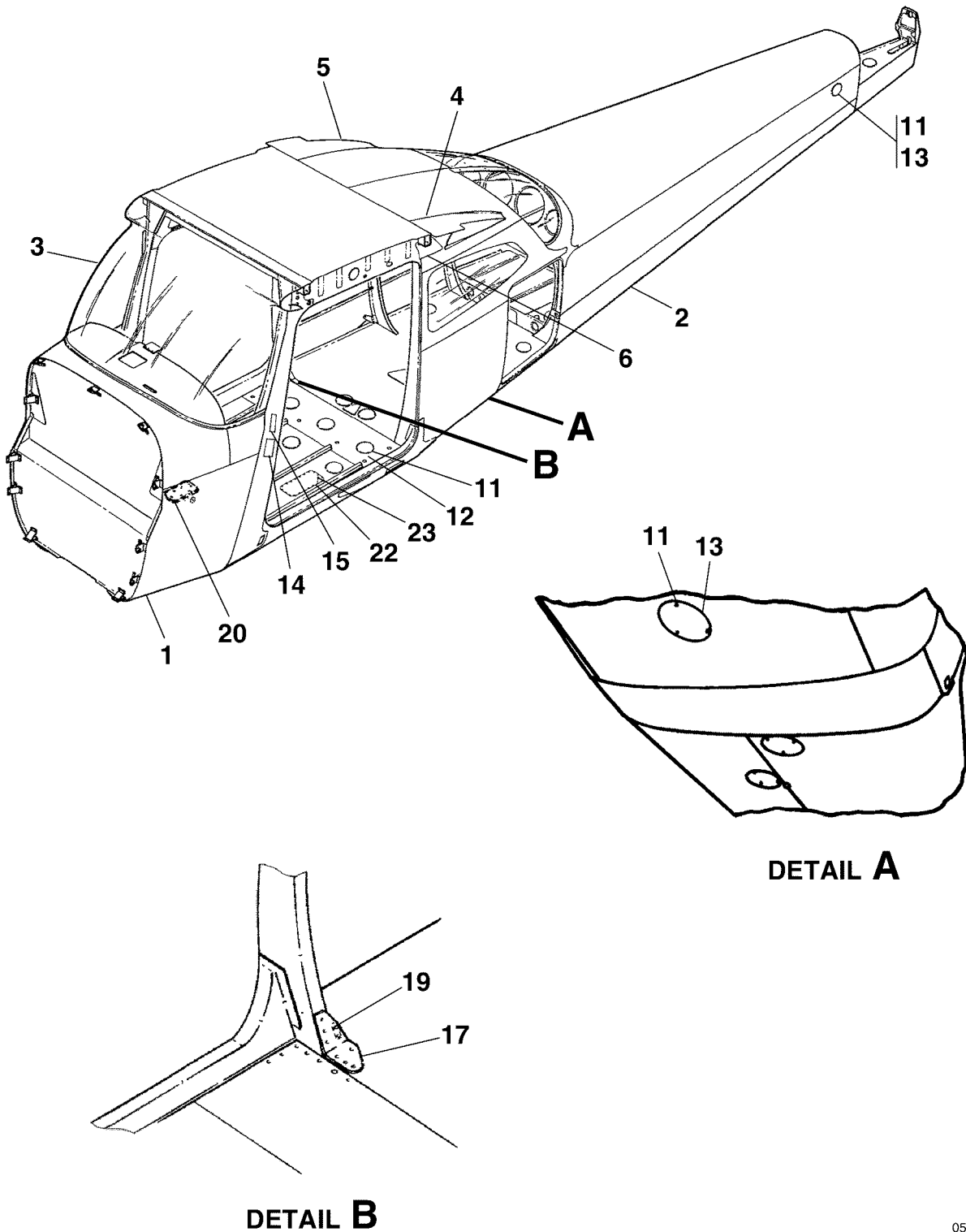
CHAPTER SECTION SUBJECT		NUMBER OF PAGES	DATE
53 - TITLE			
53 - LIST OF EFFECTIVE PAGES			
53 - RECORD OF TEMPORARY REVISIONS			
53 - TABLE OF CONTENTS			
53-00-00	Figure 01	2	Jul 1/2016
53-10-00	Figure 01	4	Jul 1/2016
53-10-00	Figure 02	8	Jul 1/2014
53-10-00	Figure 03	2	Jan 1/2009
53-10-00	Figure 04	2	Jul 1/2013
53-10-01	Figure 01	4	Jan 1/2009
53-10-01	Figure 01A	2	Jul 1/2015
53-10-01	Figure 02	2	Jul 1/2010
53-10-02	Figure 01	2	Jan 1/2012
53-11-00	Figure 01	2	Jul 1/2013
53-11-00	Figure 02	2	Jul 1/2013
53-11-00	Figure 03	4	Jul 1/2015
53-11-00	Figure 04	2	Dec 2/1996
53-20-00	Figure 01	10	Jul 1/2015
53-20-01	Figure 01	2	Jul 1/2013
53-21-00	Figure 01	2	Jul 1/2015
53-22-00	Figure 01	2	Dec 1/2007
53-22-00	Figure 01A	2	Jan 1/2009
53-22-00	Figure 02	2	Dec 1/2007
53-50-00	Figure 01	2	Jan 1/2009

CESSNA AIRCRAFT COMPANY
MODEL 172 (SERIES 1996 AND ON)
 ILLUSTRATED PARTS CATALOG

<u>SUBJECT</u>	<u>CHAPTER SECTION SUBJECT</u>	<u>FIGURE</u>	<u>EFFECTIVITY</u>	
			<u>START</u>	<u>END</u>
FUSELAGE ASSEMBLY	53-00-00	01		
FRONT AND CENTER SECTION ASSEMBLY-FUSELAGE	53-10-00	01		
FUSELAGE FRONT SECTION STRUCTURE ASSEMBLY	53-10-00	02		
FORWARD AVIONICS SUPPORT STRUCTURE-NAV III	53-10-00	03	81241 09810	& ON & ON
REMOTE AVIONICS STRUCTURE INSTALLATION-NAV III	53-10-00	04	81241 09810	& ON & ON
FIREWALL ASSEMBLY	53-10-01	01	80001 08001	81535 10770
FIREWALL ASSEMBLY	53-10-01	01A	81536 10771	& ON & ON
FIREWALL GROMMET INSTALLATION	53-10-01	02		
STEP AND HANDLE INSTALLATION-REFUELING	53-10-02	01		
FORWARD DOORPOST BULKHEAD ASSEMBLY	53-11-00	01		
REAR DOORPOST BULKHEAD ASSEMBLY	53-11-00	02		
MAIN LANDING GEAR BULKHEAD ASSEMBLY	53-11-00	03		
TUNNEL COMPONENTS - FRONT SECTION	53-11-00	04		
FUSELAGE AFT SECTION ASSEMBLY	53-20-00	01		
EXTENDED BAGGAGE AREA	53-20-01	01		
TAILCONE ASSEMBLY - FS 205.812 TO FS 228.812	53-21-00	01		
INSTRUMENT PANEL STRUCTURE	53-22-00	01		
INSTRUMENT PANEL STRUCTURE	53-22-00	01A	81241 09810	& ON & ON
CONSOLE STRUCTURE ASSEMBLY	53-22-00	02		
DORSAL FIN ASSEMBLY	53-50-00	01		

CESSNA AIRCRAFT COMPANY
MODEL 172 (SERIES 1996 AND ON)
ILLUSTRATED PARTS CATALOG

B349



FUSELAGE ASSEMBLY
FIGURE 01 (SHEET 1)

0510T2002
A0512T1009
B0512T1009

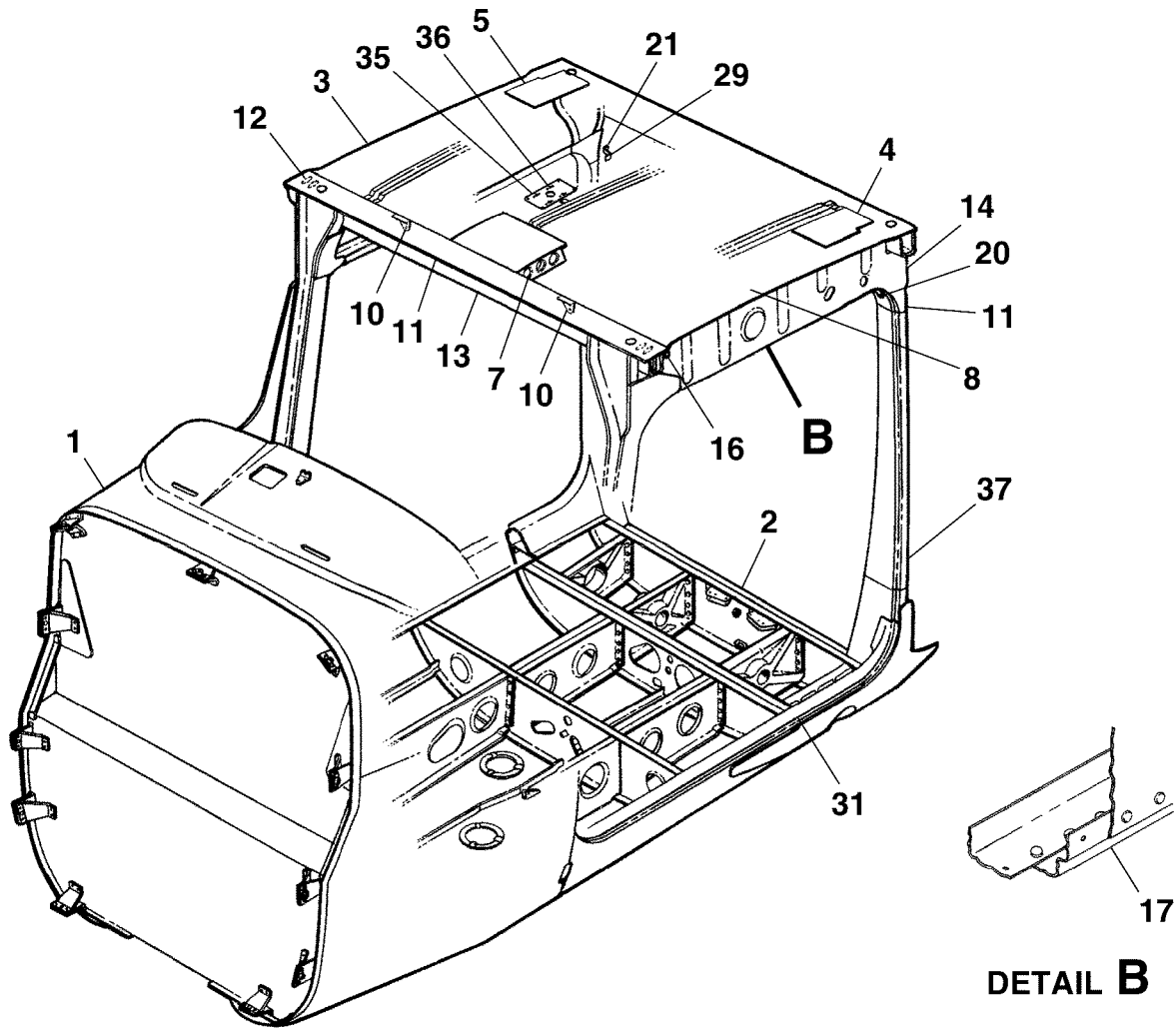
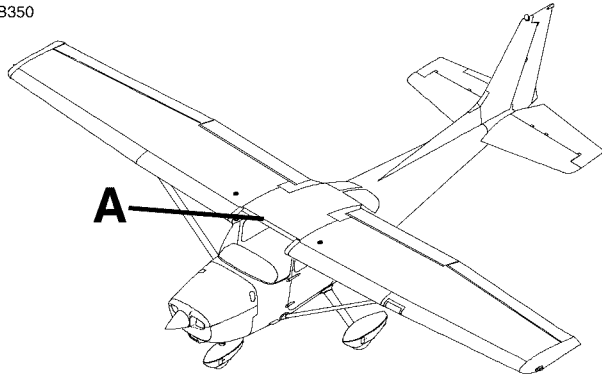
CESSNA AIRCRAFT COMPANY
MODEL 172 (SERIES 1996 AND ON)
ILLUSTRATED PARTS CATALOG

FIG ITEM	PART NUMBER	NOMENCLATURE	UNITS	
			PER	ASSY
		1 2 3 4 5 6 7		
01		FUSELAGE ASSEMBLY		RF
-		. FRONT & CENTER SECTION ASSY-FUSELAGE REFER TO 53-10-00		RF
1		FIGURE 01		
2		. AFT SECTION ASSY-FUSELAGE REFER TO 53-20-00 FIGURE 01		RF
3		. WINDSHIELD INSTL REFER TO 56-10-00 FIGURE 01		RF
4	0512027-1	. FILLET ASSY-WING LH		01
5	0512027-2	. FILLET ASSY-WING RH		01
6	0511040-1	. PLATE-LH		01
- 7	0511040-2	. PLATE-RH		01
- 8	AN3-4A	. BOLT		02
- 9	NAS1149F0332P	. WASHER		02
- 10	MS21044N3	. NUT		02
11	S225-1	. PLATE-INSPECTION COVER 172	80001 80003	23 R
- 11A	S225-1	. PLATE-INSPECTION COVER 172	80004 & ON	27 R
- 11B	S225-1	. PLATE-INSPECTION COVER 172S	08001 11620	27 R
- 11C	S225-1	. PLATE-INSPECTION COVER 172S	11621 & ON	24 R
12	49330	. STUD-TRIMOUNT 172 V90763	80001 80003	54 R
- 12A	S1878-1	. STUD 172	80004 & ON	66 R
- 12B	S1878-1	. STUD 172S	08001 11620	66 R
- 12C	S1878-1	. STUD 172S	11621 & ON	57 R
13	S1021Z8-8	. SCREW		15 R
14		. NAME PLATE-AIRCRAFT IDENTIFICATION REFER TO 11-N-38 FIGURE 01		RF
15		. PLACARD-FINISH & TRIM REFER TO 11-N-38 FIGURE 01		RF
		ATTACHING PARTS		
- 16	AN535-2-3	. SCREW		02
		—*—		
17	0512248-2	. STIFFENER-RH RPL 0512184-2	80001 80680	01
- 17A	0512248-2	. STIFFENER	80681 & ON	01
- 18	0512248-1	. STIFFENER-LH RPL 0512184-1	80001 80680	01
- 18A	0512248-1	. STIFFENER	80681 & ON	01
19	0512247-1	. SPACER		02
20	1200563-2	. COVER-ACCESS		01
		ATTACHING PARTS		
- 21	49330	. STUD-TRIMOUNT V90763		06
		—*—		
22	0511828-3	. COVER PLATE 172S	11621 & ON	03 R
		ATTACHING PARTS		
23	AN525-832R7	. SCREW 172S	11621 & ON	60 R
		—*—		

- ITEM NOT ILLUSTRATED

CESSNA AIRCRAFT COMPANY
MODEL 172 (SERIES 1996 AND ON)
 ILLUSTRATED PARTS CATALOG

B350



DETAIL A

DETAIL B

FRONT AND CENTER SECTION ASSEMBLY-FUSELAGE
 FIGURE 01 (SHEET 1)

0510T1007
 A0511T1011
 B0511T3005

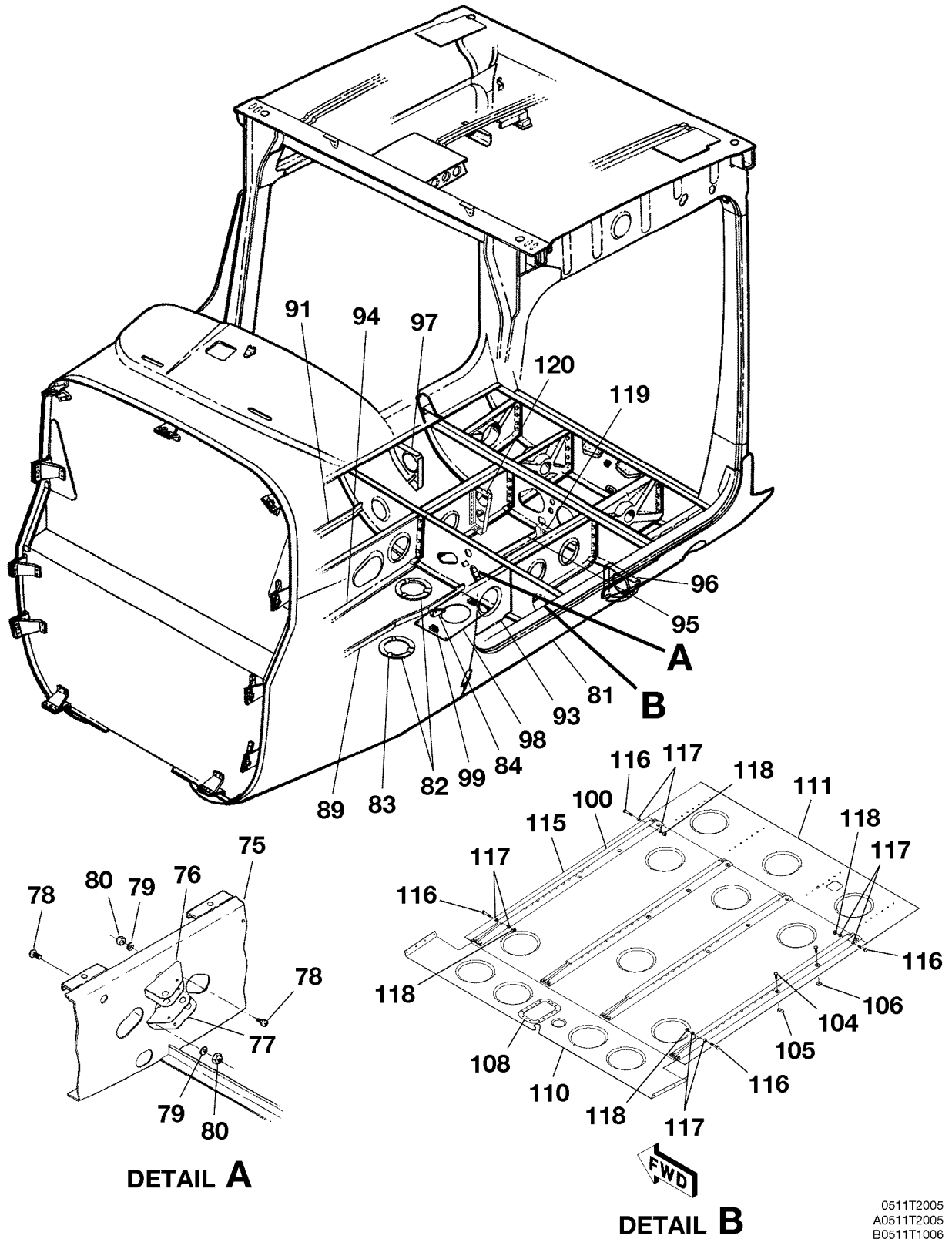
CESSNA AIRCRAFT COMPANY
MODEL 172 (SERIES 1996 AND ON)
ILLUSTRATED PARTS CATALOG

FIG ITEM	PART NUMBER	NOMENCLATURE	UNITS PER ASSY
	1 2 3 4 5 6 7		
01		FRONT AND CENTER SECTION ASSEMBLY-FUSELAGE	RF
-		. FRONT SECTION ASSY-FUSELAGE REFER TO 53-10-00 FIGURE 02	RF
1		. BULKHEAD ASSY-LANDING GEAR REFER TO 53-11-00 FIGURE 03	RF
2		. CABIN TOP ASSY 172 FSO 0511809-7	80001 81200 NP
3	0511809-4	. CABIN TOP ASSY 172S FSO 0511809-7	08001 09568 NP
- 3A	0511809-4	. CABIN TOP ASSY 172 FSO 0511809-7	81201 81240 NP
- 3B	0511809-5	. CABIN TOP ASSY 172S FSO 0511809-7	09569 09809 NP
- 3C	0511809-5	. CABIN TOP ASSY 172 FSO 0511809-7	81241 81544 NP
- 3D	0511809-6	. CABIN TOP ASSY 172S FSO 0511809-7	09810 10793 NP
- 3E	0511809-6	. CABIN TOP ASSY 172	81545 81616 01
- 3F	0511809-7	. CABIN TOP ASSY 172S	10794 11190 01
- 3G	0511809-7	. CABIN TOP ASSY 172 FSO 0511809-9	81617 81622 NP
- 3H	0511809-8	. CABIN TOP ASSY 172S FSO 0511809-9	11191 11577 NP
- 3J	0511809-8	. CABIN TOP ASSY 172	81623 & ON 01
- 3K	0511809-9	. CABIN TOP ASSY 172S	11578 & ON 01
- 3L	0511809-9	. DAMPENER ASSY-LH FSO 0511798-11 172	80001 81200 NP
4	0511798-3	. DAMPENER ASSY-LH FSO 0511798-11 172S	08001 09568 NP
- 4A	0511798-3	. DAMPENER ASSY-LH FSO 0511798-11 172	81201 81240 NP
- 4B	0511798-7	. DAMPENER ASSY-LH FSO 0511798-11 172S	09569 09809 NP
- 4C	0511798-7	. VIBRATION DAMPENER ASSY-LH FSO 0511798-11 172	81241 81544 NP
- 4D	0511798-9	. VIBRATION DAMPENER ASSY-LH FSO 0511798-11 172S	09870 10793 NP
- 4E	0511798-9	. VIBRATION DAMPENER ASSY-LH 172	81545 & ON 01
- 4F	0511798-11	. VIBRATION DAMPENER ASSY-LH 172S	10794 & ON 01
- 4G	0511798-11	. DAMPENER ASSY-RH FSO 0511798-8 172	80001 81200 NP
5	0511798-4	. DAMPENER ASSY-RH FSO 0511798-8 172S	08001 09568 NP
- 5A	0511798-4	. DAMPENER ASSY-RH 172	81201 81240 01
- 5B	0511798-8	. DAMPENER ASSY-RH 172S	09569 09809 01
- 5C	0511798-8	. NUTPLATE	04
- 6	MS21047L08	. GUSSET	01
7	0511799-3	. DOUBLER ASSY-TAS ANT UPPER 172 FSO 0511827-3	81617 81622 NP
8	0511827-1	. DOUBLER ASSY-TAS ANT UPPER 172	81623 & ON 01
- 8A	0511827-3	. DOUBLER ASSY-TAS ANT UPPER 172S FSO 0511827-3	11191 11577 NP
- 8B	0511827-1	. DOUBLER ASSY-TAS ANT UPPER 172S	11578 & ON 01
- 8C	0511827-3	. NUTPLATE	04
- 9	MS21075L08N	. BRACKET-FUEL LINE	02
10	0513399-1	. SPAR CAP-FUSELAGE FRONT	01
11	0511000-75	. NUTPLATE	04
12	S3241-3	. RETAINER-WINDSHIELD TOP	01
13	0513312-2	. RIB-FUSELAGE FWD SECTION LH 172	80001 81565 01
14	0511039-3	. RIB-FUSELAGE FWD SECTION LH 172S	08001 11048 01
- 14A	0511039-3	. RIB-FUSELAGE FWD SECTION LH 172	81566 & ON 01
- 14B	0511039-5	. RIB-FUSELAGE FWD SECTION LH 172S	11049 & ON 01
- 14C	0511039-5	. RIB-FUSELAGE FWD SECTION RH 172	80001 81565 01
- 15	0511039-4	. RIB-FUSELAGE FWD SECTION RH 172S	08001 11048 01
- 15A	0511039-4	. RIB-FUSELAGE FWD SECTION RH 172	81566 & ON 01
- 15B	0511039-6	. RIB-FUSELAGE FWD SECTION RH 172S	11049 & ON 01
- 15C	0511039-6	. GROMMET	02
16	MS35489-118	. HEAD ASSY-LH DOOR OPENING FSO 2411014-13 172	80001 81338 NP
17	2411014-7	. HEAD ASSY-LH DOOR OPENING FSO 2411014-13 172S	08001 10270 NP
- 17A	2411014-7	. HEAD ASSY-LH DOOR OPENING 172	81339 & ON 01
- 17B	2411014-13	. HEAD ASSY-LH DOOR OPENING 172S	10271 & ON 01
- 17C	2411014-13	. HEAD ASSY-RH DOOR OPENING FSO 2411014-14 172	80001 81338 NP
- 18	2411014-8	. HEAD ASSY-RH DOOR OPENING FSO 2411014-14 172S	08001 10270 NP
- 18A	2411014-8	. HEAD ASSY-RH DOOR OPENING 172	81339 & ON 01
- 18B	2411014-14	. HEAD ASSY-RH DOOR OPENING 172S	10271 & ON 01
- 18C	2411014-14	. SUPPORT-HEADLINER	02
- 19	0715060-1	. RECEPTACLE-DOOR JAMB	01 R
20	0511333-2	. GUSSET ASSY-RH UPPER REAR DOOR JAMB	01
21	0511000-74	. GUSSET ASSY-LH UPPER REAR DOOR JAMB	01
- 22	0511000-73	. NUTPLATE	01
- 23	MS21047L4	. SCREW GUSSET ASSY ATTACH	04
24	AN525-832R10	. SCREW GUSSET ASSY ATTACH	03
- 25	AN525-832R9	. WASHER GUSSET ASSY ATTACH	07
- 26	NAS1149FN816P	. NUT GUSSET ASSY ATTACH	07
- 27	MS21044N08	. NUTPLATE-SHOULDER HARNESS ATTACH	01
- 28	MS21047L4	. BRACKET-RH UPHOLSTERY	01
29	0511150-1	. BRACKET-LH UPHOLSTERY	01
- 30	0511150-0	. SILL ASSY-LH DOOR LOWER	01
31	0511811-1	. SILL ASSY-RH DOOR LOWER	01
- 32	0511811-2	. SUPPORT-RH LOWER DOOR SILL	01
- 33	0511291-4	. SUPPORT-LH LOWER DOOR SILL	01
- 34	0511291-3	. DOUBLER ASSY-GPS ANT	01
35	0511816-1	. NUTPLATE	04
36	MS21059L08	. BULKHEAD ASSY-REAR DOORPOST REFER TO 53-11-00 FIGURE 02	RF
37			

- ITEM NOT ILLUSTRATED

CESSNA AIRCRAFT COMPANY
MODEL 172 (SERIES 1996 AND ON)
 ILLUSTRATED PARTS CATALOG

B351



FRONT AND CENTER SECTION ASSEMBLY-FUSELAGE
 FIGURE 01 (SHEET 2)

0511T2005
 A0511T2005
 B0511T1006

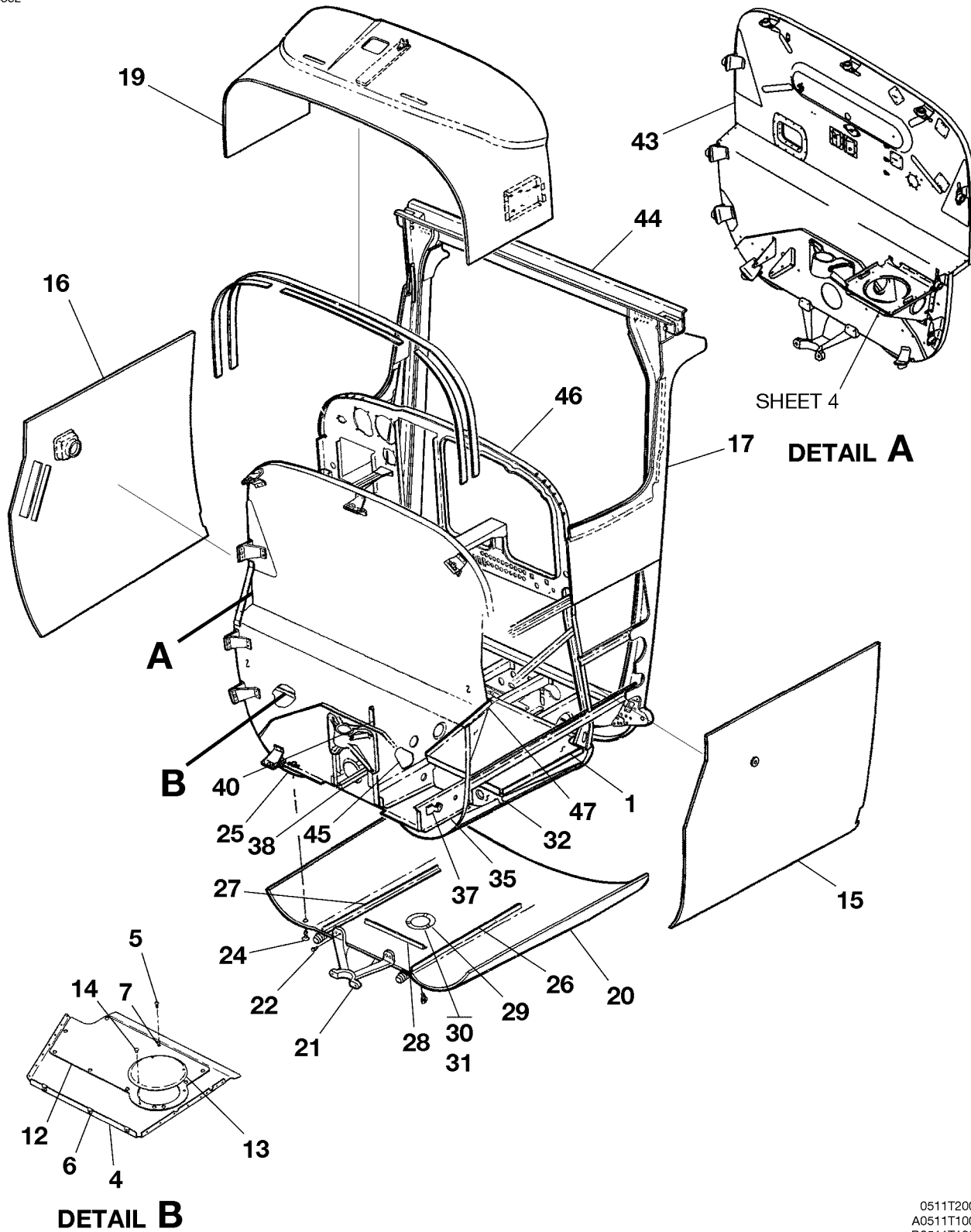
CESSNA AIRCRAFT COMPANY
MODEL 172 (SERIES 1996 AND ON)
ILLUSTRATED PARTS CATALOG

FIG ITEM	PART NUMBER	NOMENCLATURE	UNITS	
			PER	ASSY
01				
75	0511497-7	. BULKHEAD ASSY FS 44.00		01
76	0511498-1	. BRACKET-PULLEY		01
77	0511499-1	. BRACKET-PULLEY		01
		ATTACHING PARTS		
78	MS35207-261	. SCREW		01
79	NAS1149F0363P	. WASHER		01
80	MS21044N3	. NUT		01
		—*—		
81	0510201-9	. SKIN ASSY-FUSELAGE CENTER SECTION LOWER		01
82	S226-3	. DOUBLER		02
83	S4213-14	. CLIP NUT		06
84	0511254-1	. PULLEY BRACKET		01
- 85	0511295-5	. SKIN-LANDING GEAR BULKHEAD		01
		ATTACHING PARTS		
- 86	MS27039-0810	. SCREW		08
- 87	NAS1149FN832P	. WASHER		08
- 88	MS21044N08	. NUT		08
		—*—		
89	0511812-4	. STRINGER ASSY 172	80001 81039	01
- 89A	0511812-4	. STRINGER ASSY 172S	08001 08831	01
- 90	S1916Z1	. NUTPLATE		01
91	0511812-6	. STRINGER-RH		01
- 92	0511812-5	. STRINGER-LH		01
93	0512058-3	. BULKHEAD-LH STA 27.03 TO 44.00		01
94	0512058-4	. BULKHEAD-RH STA 27.03 TO 44.00		01
95	0511292-3	. ANGLE		01
96	0511813-7	. BULKHEAD OUTBD-LH		01
97	0511813-8	. BULKHEAD OUTBD-RH		01
98	0511817-1	. DOUBLER ASSY-ADF ANTENNA		01
99	MS21059L4	. NUTPLATE		02
100	0514210-2	. SEAT RAIL 172 FSO 0514210-3	80001 81206	NP
- 101	0514210-2	. SEAT RAIL 172S FSO 0514210-3	80001 09606	NP
- 102	0514210-3	. SEAT RAIL 172	81207 & ON	04
- 103	0514210-3	. SEAT RAIL 172S	09607 & ON	04
		ATTACHING PARTS		
104	AN3-5A	. BOLT-SEAT RAIL		08
105	MS21051L3	. NUTPLATE-SEAT RAIL		06
106	MS21086L3	. NUTPLATE-SEAT RAIL		02
		—*—		
- 107	0511814-1	. FLOORBOARD ASSY-CENTER SECTION 172	80001 81233	01
- 107A	0511814-1	. FLOORBOARD ASSY-CENTER SECTION 172S	08001 09770	01
- 107B	0511814-5	. FLOORBOARD ASSY-CENTER SECTION 172	81234 81608	01
- 107C	0511814-5	. FLOORBOARD ASSY-CENTER SECTION 172S	09771 11172	01
- 107D	0511814-7	. FLOORBOARD ASSY-CENTER SECTION 172	81609 & ON	01
- 107E	0511814-7	. FLOORBOARD ASSY-CENTER SECTION 172S	11173 11620	01 R
- 107F	0511828-1	. FLOORBOARD ASSY 172S	11621 & ON	01 R
108	1200564-1	. DOUBLER ASSY		01
- 109	MS21069L3	. NUTPLATE		06
110	0511814-2	. FLOORBOARD 172	80001 81233	01
- 110A	0511814-2	. FLOORBOARD 172S	08001 09770	01
- 110B	0511814-6	. FLOORBOARD 172	81234 81608	01
- 110C	0511814-6	. FLOORBOARD 172S	09771 11172	01
- 110D	0511814-8	. FLOORBOARD 172	81609 & ON	01
- 110E	0511814-8	. FLOORBOARD 172S	11173 11620	01 R
- 110F	0511828-2	. FLOORBOARD 172S	11621 & ON	01 R
- 110G	MS24047L08K	. NUTPLATE 172S	11621 & ON	60 R
111	0511479-2	. FLOORBOARD-CENTER SECTION AFT		01
		ATTACHING PARTS		
- 112	MS27039-0809	. SCREW-FLOORBOARD		14
- 113	NAS1149FN832P	. WASHER-FLOORBOARD		14
- 114	MS21044N08	. NUT-FLOORBOARD		14
		—*—		
115	S1093-1	. PLUG BUTTON		AR
116	AN3-10A	. BOLT		04
117	NAS43HT3-12	. SPACER		08
118	MS21044N3	. NUT		04
119	0511813-5	. BULKHEAD INBD-LH		01
120	0511813-6	. BULKHEAD INBD-RH		01

- ITEM NOT ILLUSTRATED

CESSNA AIRCRAFT COMPANY
MODEL 172 (SERIES 1996 AND ON)
 ILLUSTRATED PARTS CATALOG

B352



FUSELAGE FRONT SECTION STRUCTURE ASSEMBLY
 FIGURE 02 (SHEET 1)

0511T2006
 A0511T1006
 B0511T1006

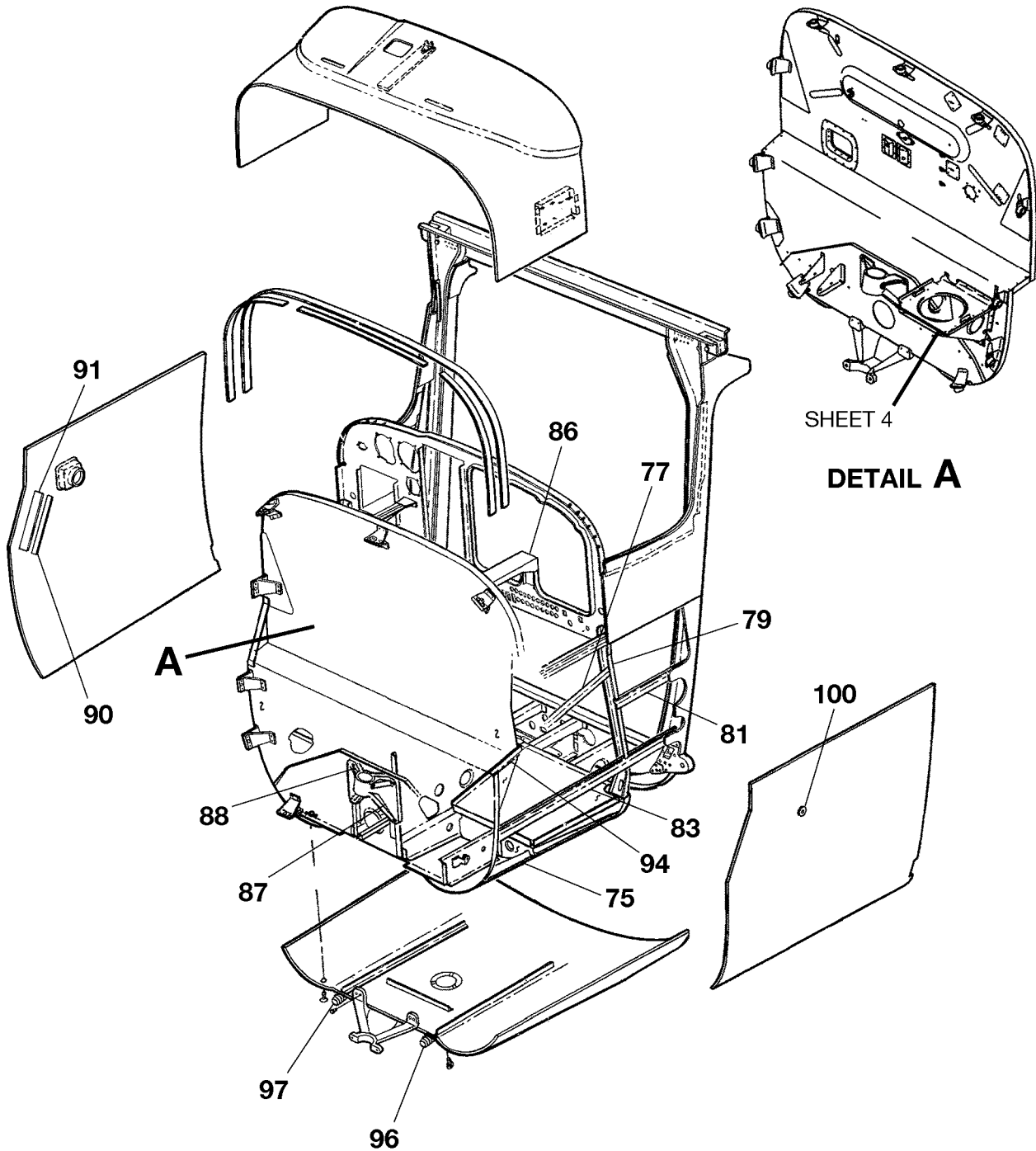
CESSNA AIRCRAFT COMPANY
MODEL 172 (SERIES 1996 AND ON)
ILLUSTRATED PARTS CATALOG

FIG ITEM	PART NUMBER	NOMENCLATURE	UNITS PER ASSY	
	1 2 3 4 5 6 7			
02		FUSELAGE FRONT SECTION STRUCTURE ASSEMBLY		RF
- 1	0513512-1	. FLOORBOARD ASSY-LH FRONT 172	80001 81615	01
- 1A	0513512-1	. FLOORBOARD ASSY-LH FRONT 172S	08001 11189	01
- 1B	0513512-13	. FLOORBOARD ASSY-LH FRONT 172	81616 & ON	01
- 1C	0513512-13	. FLOORBOARD ASSY-LH FRONT 172S	11190 & ON	01
- 2	NAS395-14-3 NUT		03
- 3	0513512-5 FLOORBOARD 172	80001 81615	01
- 3A	0513512-5 FLOORBOARD 172S	08001 11189	01
- 3B	0513512-15 FLOORBOARD 172	81616 & ON	01
- 3C	0513512-15 FLOORBOARD 172S	11190 & ON	01
4	0513512-4	. FLOORBOARD ASSY-RH FRONT 172	80001 81615	01
- 4A	0513512-4	. FLOORBOARD ASSY-RH FRONT 172S	08001 11189	01
- 4B	0513512-12	. FLOORBOARD ASSY-RH FRONT 172	81616 & ON	01
- 4C	0513512-12	. FLOORBOARD ASSY-RH FRONT 172S	11190 & ON	01
5	AN525-832R8 SCREW-COVER ATTACH		10
6	NAS395-14-3 NUT		03
7	NAS680A08 NUTPLATE		10
- 8	0513375-10 DOUBLER		01
- 9	0513375-11 DOUBLER		01
- 10	0513512-11 DOUBLER		01
- 11	0513512-8 FLOORBOARD 172	80001 81615	01
- 11A	0513512-8 FLOORBOARD 172S	08001 11189	01
- 11B	0513512-14 FLOORBOARD 172	81616 & ON	01
- 11C	0513512-14 FLOORBOARD 172S	11190 & ON	01
12	0513512-9 COVER		01
13	S225-1 PLATE-INSPECTION		01
14	S1878-1 STUD-INSPECTION PLATE ATTACH		03
15	0513520-7 SKIN-LH FRONT SECTION		01
16	0513520-6 SKIN-RH FRONT SECTION		01
17	2413139-1 RETAINER-LH WINDSHIELD		01
- 18	2413139-2 RETAINER-RH WINDSHIELD		01
19	0513567-1 DECK SKIN 172	80001 81240	01
- 19A	0513567-1 DECK SKIN 172S	08001 09809	01
- 19B	0513567-2 DECK SKIN-NAV III 172	81241 & ON	01
- 19C	0513567-2 DECK SKIN-NAV III 172S	09810 & ON	01
20	0513520-12 SKIN-LOWER 172	80001 81019	01
- 20A	0513520-12 SKIN-LOWER 172S	08001 08785	01
- 20B	0513520-18 SKIN-LOWER 172	81020 81535	01
- 20C	0513520-18 SKIN-LOWER 172S	08786 10770	01
- 20D	0513520-20 SKIN-LOWER 172	81536 81573	01
- 20E	0513520-20 SKIN-LOWER 172S	10771 11077	01
- 20F	0513520-21 SKIN-LOWER 172	81574 & ON	01
- 20G	0513520-21 SKIN-LOWER 172S	11078 & ON	01
21	0543016-1 FITTING-LOWER NOSE GEAR		01
		ATTACHING PARTS		
22	AN3-5A BOLT		02
- 23	MS21044N3 NUT		02
24	MS35206-244 SCREW		01
25	MS21047L08 NUTPLATE		01
26	0513000-10 ANGLE-LH BULKHEAD REINFORCEMENT		01
27	0513000-9 ANGLE-RH BULKHEAD REINFORCEMENT		01
28	0513322-1 ANGLE-REINFORCEMENT		01
29	S237-2P DOUBLER ASSY		01
30	S225-1 PLATE		02
31	S102128-8 SCREW		09
32	0513053-5 BULKHEAD-LH FS. 8.125 172 & 172S		01
- 33	0513053-6 BULKHEAD-RH FS. 8.125 172	80001 81622	01 R
- 33A	0513053-6 BULKHEAD-RH FS. 8.125 172S	08001 11420	01 R
- 33B	0513053-8 BULKHEAD-RH FS. 8.125 172	81623 & ON	01 R
- 33C	0513053-8 BULKHEAD-RH FS. 8.125 172S	11421 & ON	01 R
- 34	0513488-8 BULKHEAD-RH		01
35	0513488-11 BULKHEAD ASSY-LH		01
- 36	0513488-9 BULKHEAD-LH		01
37	0713624-2 ANCHOR-LH		01
38	0513038-12 ANGLE-RH		01
- 39	0513038-11 ANGLE-LH		01
40	0513369-1 ANGLE-LH		01
- 41	0513369-2 ANGLE-RH		01
- 42	 DOORPOST ASSY REFER TO 53-11-00 FIGURE 01		RF
43	 FIREWALL ASSY REFER TO 53-10-01 FIGURE 01		RF
44	 BULKHEAD ASSY-FRONT DOORPOST REFER TO 53-11-00 FIGURE 02		RF
45	 TUNNEL COMPONENTS-FRONT REFER TO 53-11-00 FIGURE 04		RF
46	 PANEL ASSY-INSTRUMENT REFER TO 53-22-00 REFER TO FIGURE 01		RF
47	 CONSOLE STRUCTURE ASSY REFER TO 53-22-00 FIGURE 02		RF

- ITEM NOT ILLUSTRATED

CESSNA AIRCRAFT COMPANY
MODEL 172 (SERIES 1996 AND ON)
ILLUSTRATED PARTS CATALOG

B8517



FUSELAGE FRONT SECTION STRUCTURE ASSEMBLY
FIGURE 02 (SHEET 2)

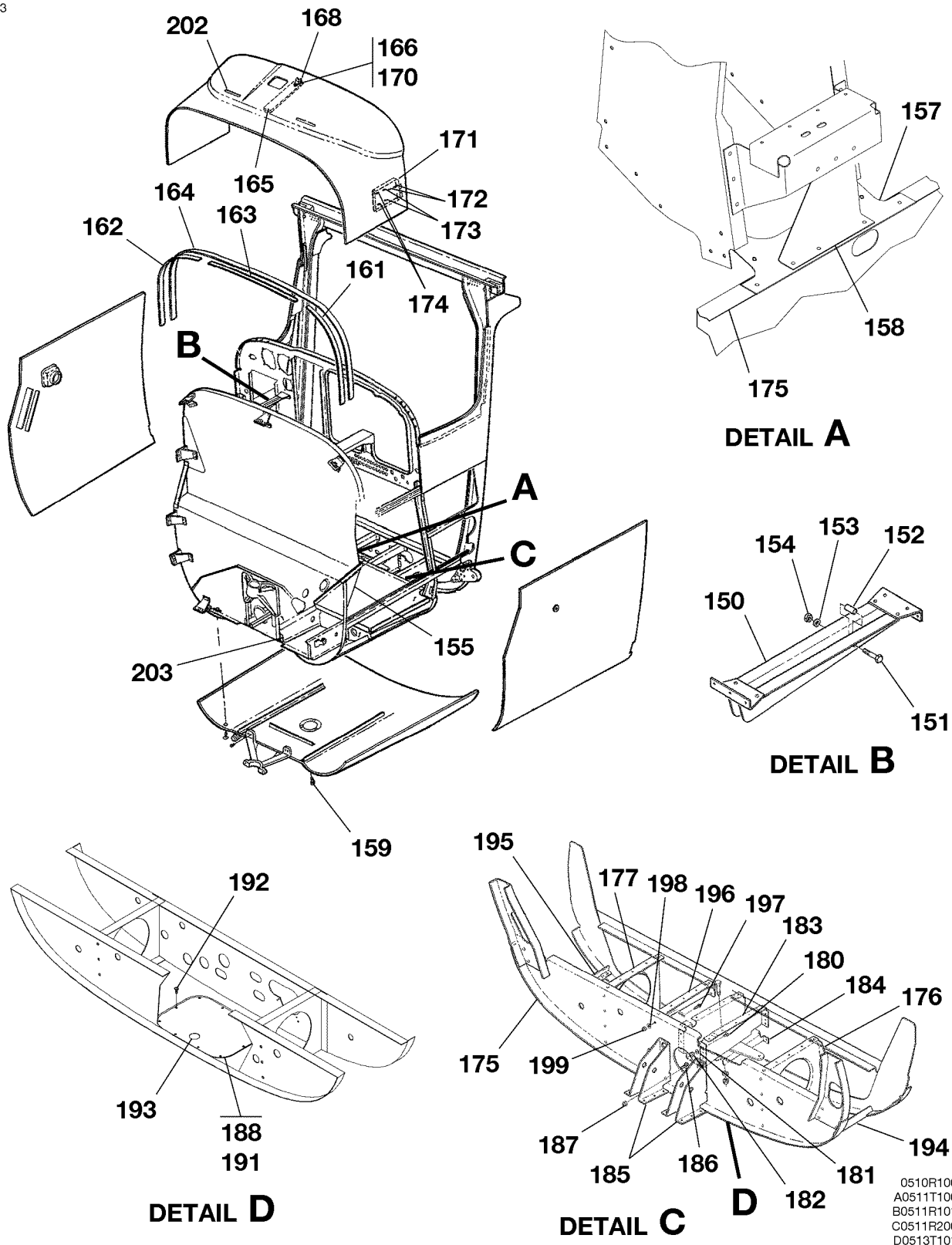
0511R1006
A0511R1006

CESSNA AIRCRAFT COMPANY
MODEL 172 (SERIES 1996 AND ON)
ILLUSTRATED PARTS CATALOG

FIG ITEM	PART NUMBER	NOMENCLATURE	UNITS	
			PER	ASSY
02				
75	0513511-11	. STRINGER ASSY-LH LOWER ENGINE MOUNT		01
- 76	0513511-12	. STRINGER ASSY-RH LOWER ENGINE MOUNT		01
77	0513511-23	. STRINGER ASSY-LH UPPER ENGINE MOUNT 172	80001	81233 01
- 77A	0513511-23	. STRINGER ASSY-LH UPPER ENGINE MOUNT 172S	08001	09770 01
- 77B	0513511-25	. STRINGER ASSY-LH UPPER ENGINE MOUNT 172	81234	81535 01
- 77C	0513511-25	. STRINGER ASSY-LH UPPER ENGINE MOUNT 172S	09771	10770 01
- 77D	0513511-27	. STRINGER ASSY-LH UPPER ENGINE MOUNT 172	81536	& ON 01
- 77E	0513511-27	. STRINGER ASSY-LH UPPER ENGINE MOUNT 172S	10771	& ON 01
- 78	0513511-24	. STRINGER ASSY-RH UPPER ENGINE MOUNT	80001	81535 01
- 78A	0513511-24	. STRINGER ASSY-RH UPPER ENGINE MOUNT	08001	10770 01
- 78B	0513511-26	. STRINGER ASSY-RH UPPER ENGINE MOUNT	81536	& ON 01
- 78C	0513511-26	. STRINGER ASSY-RH UPPER ENGINE MOUNT	10771	& ON 01
79	2413065-1	. BULKHEAD-LH INSTRUMENT PANEL SUPPORT		01
- 80	2413065-4	. BULKHEAD-RH INSTRUMENT PANEL SUPPORT		01
81	0513510-1	. STRINGER-LH		01
- 82	0513510-2	. STRINGER-RH		01
83	0513516-1	. STRINGER-LH LOWER		01
- 84	0513516-2	. STRINGER-RH LOWER		01
- 85	0513520-19	. BRACKET-UPHOLSTERY 172	81337	& ON 01 R
- 85A	0513520-19	. BRACKET-UPHOLSTERY 172S	10241	& ON 01 R
86	0513089-3	. SUPPORT-LH INSTRUMENT PANEL 172	80001	81243 01 R
- 86A	0513089-3	. SUPPORT-LH INSTRUMENT PANEL 172S	08001	09830 01 R
- 86B	0513089-4	. SUPPORT-LH INSTRUMENT PANEL 172	81244	& ON 01 R
- 86C	0513089-4	. SUPPORT-LH INSTRUMENT PANEL 172S	09831	& ON 01 R
87	0543013-1	. FITTING-UPPER NOSE GEAR		01 R
		ATTACHING PARTS		
88	MS20004-9	. BOLT		02 R
- 89	MS21042L4	. NUT		02 R
		—*—		
90	0513362-33	. STRIP-RH RETAINER ONLY		01 R
91	0513362-32	. SEAL-RH ONLY		01 R
- 92	0513520-16	. FILLER		02 R
- 93	0510128-0	. BRACKET		02 R
94	0513327-1	. STIFFENER-LH 172	80001	81426 01 R
- 94A	0513327-1	. STIFFENER-LH 172S	08001	10596 01 R
- 94B	0513579-1	. STIFFENER-LH 172	81427	& ON 01 R
- 94C	0513579-1	. STIFFENER-LH 172S	10597	& ON 01 R
- 95	0513327-2	. STIFFENER-RH 172	80001	81426 01 R
- 95A	0513327-2	. STIFFENER-RH 172S	08001	10596 01 R
- 95B	0513579-2	. STIFFENER-RH 172	81427	& ON 01 R
- 95C	0513579-2	. STIFFENER-RH 172S	10597	& ON 01 R
96	0543027-3	. BOOT ASSY-LH 172 FSO 0543027-5	80001	80350 NP R
- 96A	0543027-3	. BOOT ASSY-LH 172S FSO 0543027-5	08001	10328 NP R
- 96B	0543027-5	. BOOT ASSY-LH 172	81351	& ON 01 R
- 96C	0543027-5	. BOOT ASSY-LH 172S	10329	& ON 01 R
97	0543027-2	. BOOT ASSY-RH 172 FSO 0543027-4	80001	81350 NP R
- 97A	0543027-2	. BOOT ASSY-RH 172S FSO 0543027-4	08001	10328 NP R
- 97B	0543027-4	. BOOT ASSY-RH 172	81351	& ON 01 R
- 97C	0543027-4	. BOOT ASSY-RH 172S	10329	& ON 01 R
- 98	0543015-6	. BOOT ASSY 172 FSO MC0543015-6	80001	81350 NP R
- 98A	0543015-6	. BOOT ASSY 172S FSO MC0543015-6	08001	10328 NP R
- 98B	MC0543015-6	. BOOT 172	81351	& ON NP R
- 98C	MC0543015-6	. BOOT 172S	10329	& ON NP R
- 99	0543026-1	. DOUBLER		01 R
100		. STATIC SOURCE REFER TO 34-11-00 FIGURE 01		RF R

CESSNA AIRCRAFT COMPANY
MODEL 172 (SERIES 1996 AND ON)
 ILLUSTRATED PARTS CATALOG

B353



FUSELAGE FRONT SECTION STRUCTURE ASSEMBLY
 FIGURE 02 (SHEET 3)

0510R1007
 A0511T1003
 B0511R1012
 C0511R2004
 D0513T1013

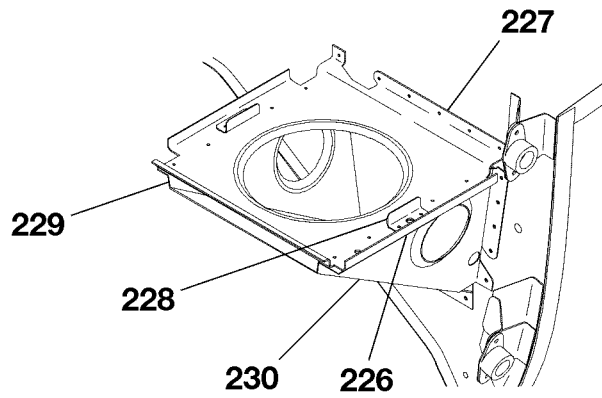
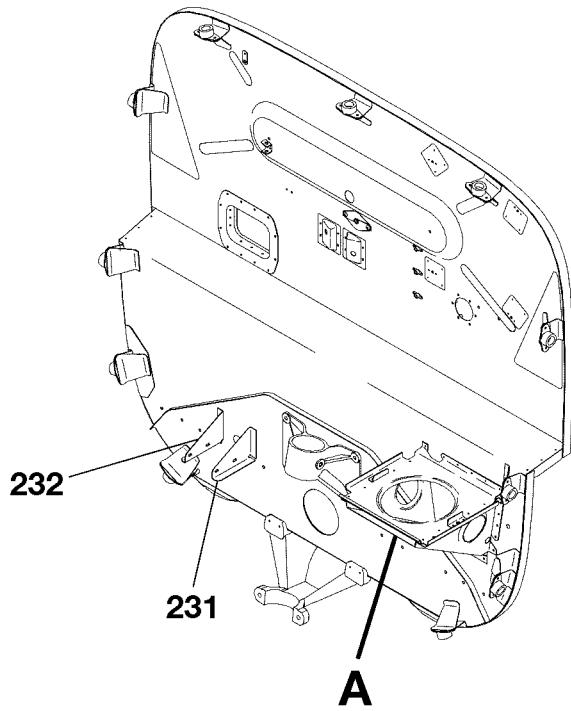
CESSNA AIRCRAFT COMPANY
MODEL 172 (SERIES 1996 AND ON)
ILLUSTRATED PARTS CATALOG

FIG ITEM	PART NUMBER	NOMENCLATURE	UNITS PER ASSY
	1 2 3 4 5 6 7		
02			
150	0513294-7	. GUIDE ASSY-RH CONTROL YOKE	01
151	AN3-11A	. . BOLT	02
152	NAS43HT3-42	. . SPACER	01
153	NAS1149F0363P	. . WASHER	01
154	MS21044N3	. . NUT	02
155	0513137-3	. GUSSET-LH	01
- 156	0513137-4	. GUSSET-RH	01
157	0513378-2	. PLATE-SHEAR	01
158	0513557-1	. SUPPORT BRACKET-FUEL SELECTOR	01
159	0422344-0	. EYEBOLT-MOORING	01
		ATTACHING PARTS	
- 160	MS21042L5	. NUT	01
		—*—	
161	0513362-18	. STRIP-LH RETAINER	01
162	0513362-31	. STRIP-RH RETAINER	01
163	0513362-19	. STRIP-RETAINER	01
164	0513362-30	. SEAL	01
165	0513326-2	. STIFFENER	01
166	NAS680A06	. NUT	01
- 167	MS21073L06	. NUT	02
168	0513264-1	. BRACKET-COMPASS	01
- 169	0513520-17	. SPACER 172	80370 & ON 03
- 169A	0513520-17	. SPACER 172S	03 R
170	MS35214-29	. SCREW	03 R
171	0513096-9	. SUPPORT ASSY-ELECTRICAL COMPONENTS	01 R
172	MS21069L08	. NUTPLATE	02 R
173	MS21047L3	. NUTPLATE	02 R
174	MS21071L3	. NUTPLATE	02 R
175	0513505-3	. BULKHEAD 172	80001 81535 01 R
- 175A	0513505-3	. BULKHEAD 172S	08001 10770 01 R
176	0513507-1	. BULKHEAD-LH	01 R
177	0513507-2	. BULKHEAD-RH	01 R
- 178	0513549-1	. BRACKET-FUEL SELECTOR 172	80001 81535 02 R
- 178A	0513549-1	. BRACKET-FUEL SELECTOR 172S	08001 10770 02 R
- 178B	0513597-1	. BRACKET-FUEL SELECTOR 172	81536 & ON 01 R
- 178C	0513597-1	. BRACKET-FUEL SELECTOR 172S	10771 & ON 01 R
- 179	0513548-1	. BRACKET ASSY-ELEVATOR BELLCRANK	01 R
		ATTACHING PARTS	
180	MS35206-245	. SCREW	01 R
181	NAS1149FN832P	. WASHER	01 R
182	MS21044N08	. NUT	01 R
		—*—	
183	0513548-2	. BRACKET-UPPER	01 R
184	0513548-3	. BRACKET-LOWER	01 R
185	0510110-0	. BRACKET-PULLEY	02 R
186	AN3-4A	. BOLT-PULLEY BRACKET ATTACH	01 R
187	MS21044N3	. NUT-PULLEY BRACKET ATTACH	01 R
188	0513596-2	. DOUBLER ASSY 172 FSO 0513596-201	81536 81573 01 R
- 188A	0513596-2	. DOUBLER ASSY 172S FSO 0513596-201	10771 11077 01 R
- 188B	0513596-5	. DOUBLER ASSY 172	81574 & ON 01 R
- 188C	0513596-5	. DOUBLER ASSY 172S	11078 & ON 01 R
- 189	S3431-2A	. NUTPLATE-USED WITH 0513596-2	10 R
- 190	S3431-3A	. NUTPLATE-USED WITH 0513596-201 AND 0513596-5	10 R
191	0513596-1	. COVER 172	81536 81573 01 R
- 191A	0513596-1	. COVER 172S	10771 11077 01 R
- 191B	0513596-4	. COVER 172	81574 & ON 01 R
- 191C	0513596-4	. COVER 172S	11078 & ON 01 R
192	S1021Z8-6	. SCREW-COVER ATTACH	10 R
193	MS35489-10	. GROMMET	01 R
194	2411029-3	. STRINGER-LH	01 R
195	2411029-4	. STRINGER-RH	01 R
196	0513506-1	. BRACKET-REINFORCEMENT	01 R
		ATTACHING PARTS	
197	MS35206-245	. SCREW	AR R
198	NAS1149FN832P	. WASHER	AR R
199	MS21044N08	. NUT	AR R
		—*—	
- 200	S1741-5	. ANCHOR 172	81234 81535 07 R
- 200A	S1741-5	. ANCHOR 172S	09771 10770 07 R
- 200B	S1741-5	. ANCHOR 172	81536 & ON 06 R
- 200C	S1741-5	. ANCHOR 172S	10771 & ON 06 R
- 201	CB4019G3N	. MOUNT 172	81536 & ON 01 R
- 201A	CB4019G3N	. MOUNT 172S	10771 & ON 01 R
202		. CABIN HEATING AND DEFROSTING REFER TO 21-40-00 FIGURE 01	RF R
203		. TUNNEL COMPONENTS REFER TO 53-11-00 FIGURE 04	RF R

- ITEM NOT ILLUSTRATED

CESSNA AIRCRAFT COMPANY
MODEL 172 (SERIES 1996 AND ON)
ILLUSTRATED PARTS CATALOG

B5963



DETAIL A

FUSELAGE FRONT SECTION STRUCTURE ASSEMBLY
FIGURE 02 (SHEET 4)

0511T1006
A0511T1006

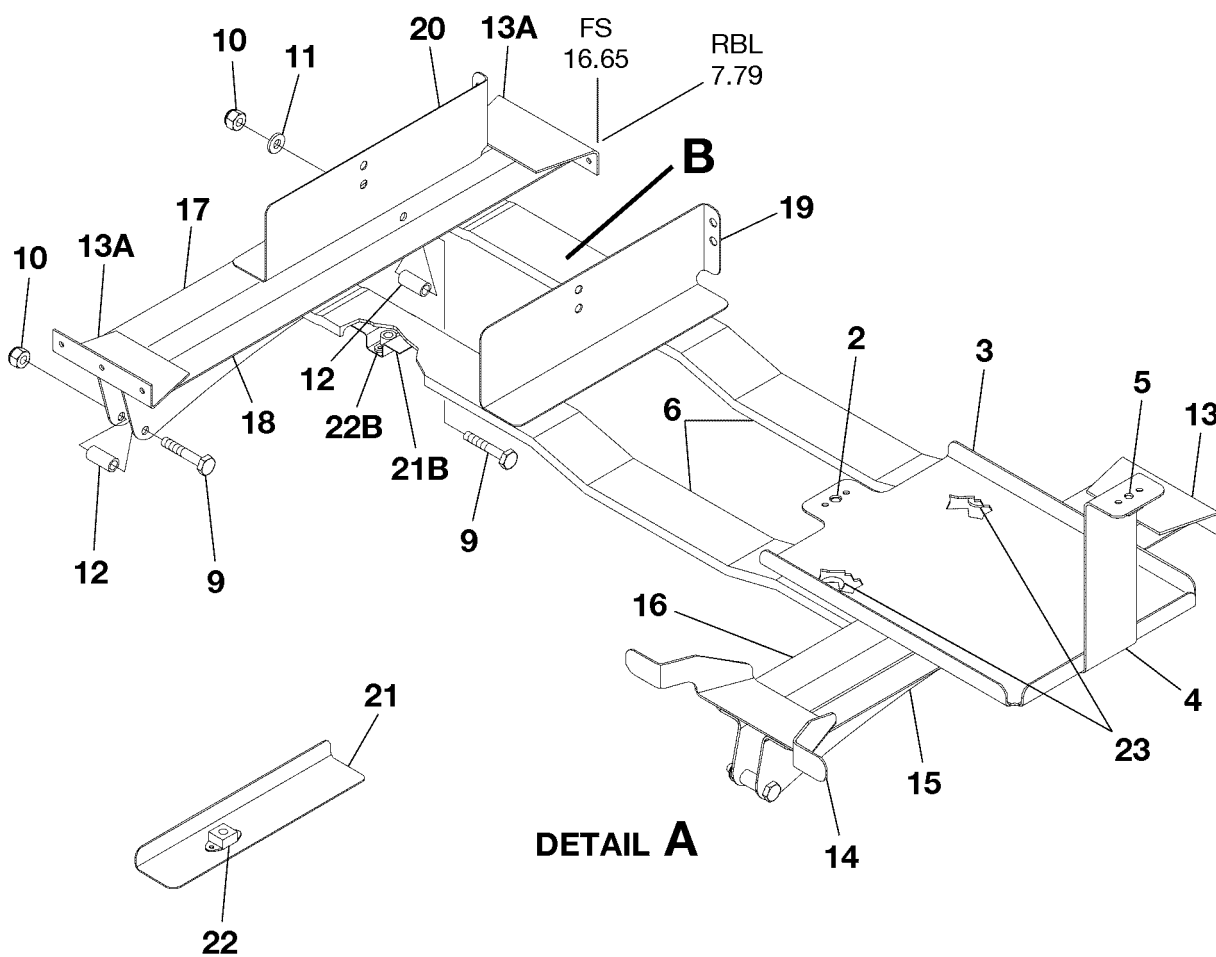
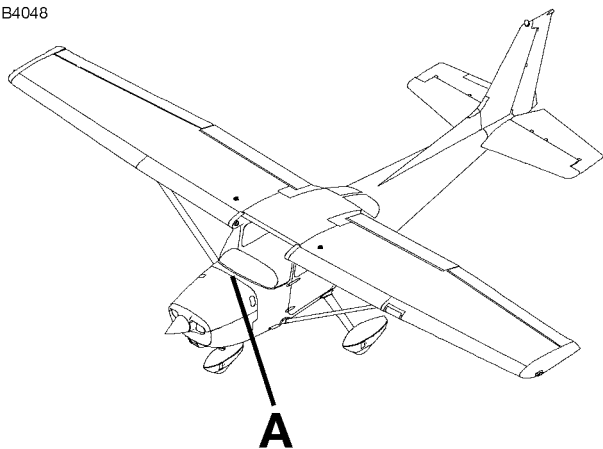
CESSNA AIRCRAFT COMPANY
MODEL 172 (SERIES 1996 AND ON)
ILLUSTRATED PARTS CATALOG

FIG ITEM	PART NUMBER	NOMENCLATURE	UNITS PER ASSY		
			1	2	3
02					
- 225	0553022-1	. TRAY ASSY-BATTERY 172	80001	81266	01
- 225A	0553022-1	. TRAY ASSY-BATTERY 172S	08001	10047	01 R
- 225B	0553022-2	. TRAY ASSY-BATTERY 172	81267	& ON	01 R
- 225C	0553022-2	. TRAY ASSY-BATTERY 172S	10048	& ON	01 R
226	MS21047L4	. . NUTPLATE			02 R
227	2253026-1	. . PLATE			01 R
228	2253028-1	. . STOP			01 R
229	0553019-1	. . BRACKET 172	80001	81266	01 R
- 229A	0553019-1	. . BRACKET 172S	08001	10047	01 R
- 229B	0553021-3	. . CLIP ASSY 172	81267	& ON	01 R
- 229C	0553021-3	. . CLIP ASSY 172S	10048	& ON	01 R
230	0553021-1	. . BRACKET 172	80001	81266	01 R
- 230A	0553021-1	. . BRACKET 172S	08001	10047	01 R
- 230B	0553021-2	. . BRACKET 172	81267	& ON	01 R
- 230C	0553021-2	. . BRACKET 172S	10048	& ON	01 R
231	0553045-1	. BRACKET-LH FUEL STRAINER 172 FSO 0553045-3	81536	81562	NP R
- 231A	0553045-1	. BRACKET-LH FUEL STRAINER 172S FSO 0553045-3	10771	10986	NP R
- 231B	0553045-3	. BRACKET-LH FUEL STRAINER 172	81563	& ON	01 R
- 231C	0553045-3	. BRACKET-LH FUEL STRAINER 172S	10987	& ON	01 R
232	0553045-2	. BRACKET-RH FUEL STRAINER 172 FSO 0553045-4	81536	81562	NP R
- 232A	0553045-2	. BRACKET-RH FUEL STRAINER 172S FSO 0553045-4	10771	10986	NP R
- 232B	0553045-4	. BRACKET-RH FUEL STRAINER 172	81563	& ON	01 R
- 232C	0553045-4	. BRACKET-RH FUEL STRAINER 172S	10987	& ON	01 R

- ITEM NOT ILLUSTRATED

CESSNA AIRCRAFT COMPANY
MODEL 172 (SERIES 1996 AND ON)
 ILLUSTRATED PARTS CATALOG

B4048



DETAIL B

AIRPLANES 17281241 THRU 17281535 AND
 AIRPLANES 172S09810 THRU 172S10770

FORWARD AVIONICS SUPPORT STRUCTURE-NAV III
 FIGURE 03 (SHEET 1)

0510T1007
 A0513T1011A
 B0513T1011

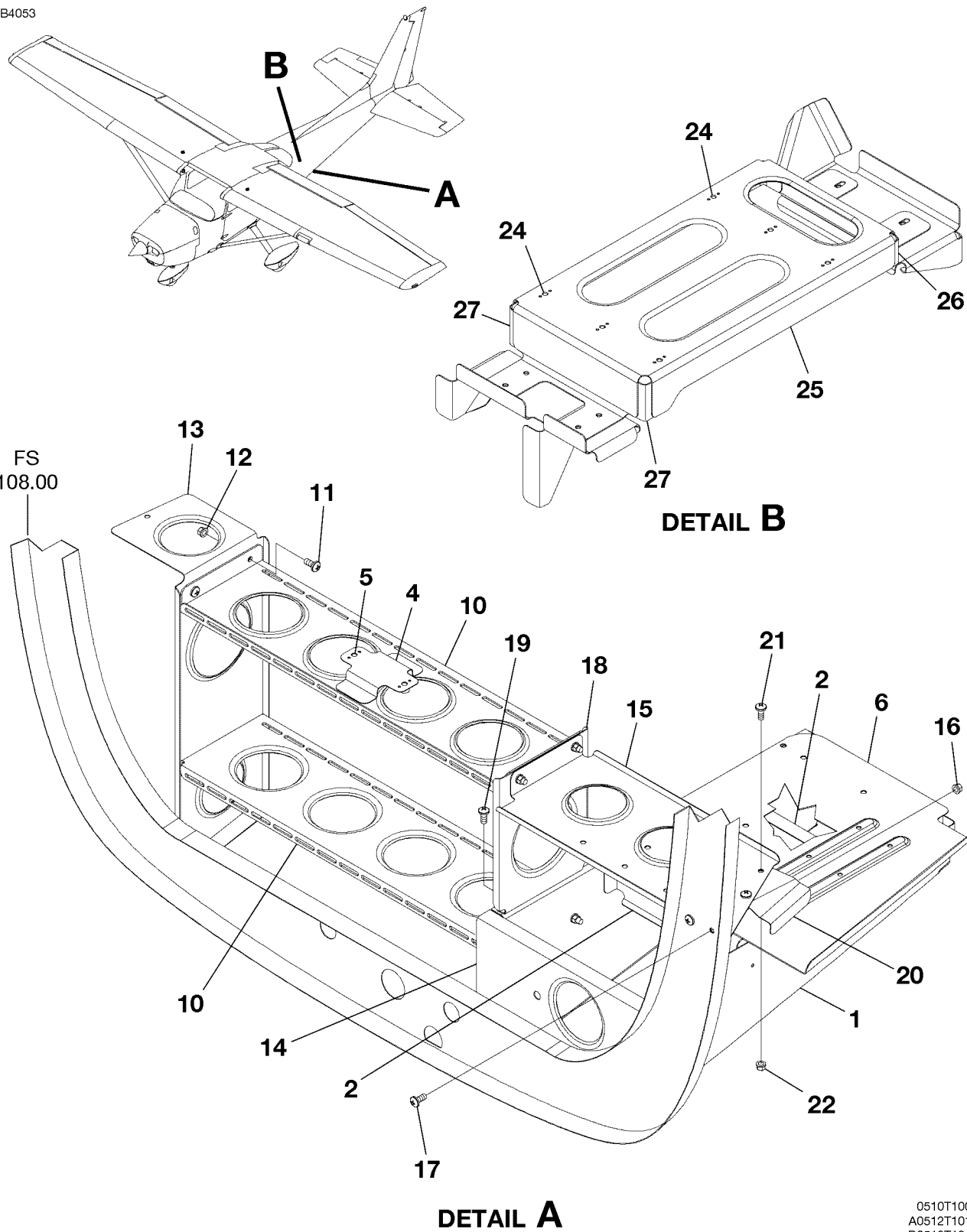
CESSNA AIRCRAFT COMPANY
MODEL 172 (SERIES 1996 AND ON)
 ILLUSTRATED PARTS CATALOG

FIG ITEM	PART NUMBER	NOMENCLATURE	UNITS	
			PER	ASSY
03				
-		FORWARD AVIONICS SUPPORT STRUCTURE-NAV III	81241 & ON	RF
			09810 & ON	
- 1	3930378-2	. BATTERY TRAY ASSY-STANDBY BATTERY		01
2	MS21059L3	. . NUTPLATE		01
- 2A	NAS1791A3-1	. . NUTPLATE-ALT FOR MS21059L3		01
3	3930378-31	. . BATTERY TRAY		01
4	3930369-8	. . STRAP ASSY		01
5	MS21059L3K	. . . NUTPLATE		01
6	3930378-23	. CHANNEL SUPPORT		02
- 7	3930378-3	. GUIDE ASSY - LH		01
- 8	3930378-4	. GUIDE ASSY - RH		01
9	AN3-11A	. . BOLT-LH AND RH		04
10	MS21044N3	. . NUT-LH AND RH		04
11	NAS1149F0363P	. . WASHER-LH AND RH		02
12	NAS43HT3-42	. . SPACER-LH AND RH		04
13	0513294-2	. . BRACKET-LH		01
13A	0513294-2	. . BRACKET-RH		02
14	3930378-12	. . YOKE BRACKET-LH		01
15	3930378-15	. . YOKE BRACKET-LH		01
16	3930378-29	. . YOKE BRACKET-LH		01
17	3930378-16	. . YOKE BRACKET-RH		01
18	3930378-30	. . YOKE BRACKET-RH		01
19	3930378-32	. BRACKET		01
20	3930378-33	. BRACKET		01
21	3930378-34	. PLATE ASSY 172	81241 81535	01 R
- 21A	3930378-34	. PLATE ASSY 172S	09810 10770	01 R
21B	3930378-36	. BRACKET ASSY 172	81536 & ON	01 R
- 21C	3930378-36	. BRACKET ASSY 172S	10771 & ON	01 R
22	MS21059L3	. . NUTPLATE 172	81241 81535	01 R
- 22A	MS21059L3	. . NUTPLATE 172S	09810 10770	01 R
22B	MS21069L3	. . NUTPLATE 172	81536 & ON	01 R
- 22C	MS21069L3	. . NUTPLATE 172S	10771 & ON	01 R
23	S1450-1-10-050	. WASHER		02

- ITEM NOT ILLUSTRATED

CESSNA AIRCRAFT COMPANY
MODEL 172 (SERIES 1996 AND ON)
 ILLUSTRATED PARTS CATALOG

B4053



REMOTE AVIONICS STRUCTURE INSTALLATION-NAV III
 FIGURE 04 (SHEET 1)

0510T1007
 A0512T1014
 B0512T1014

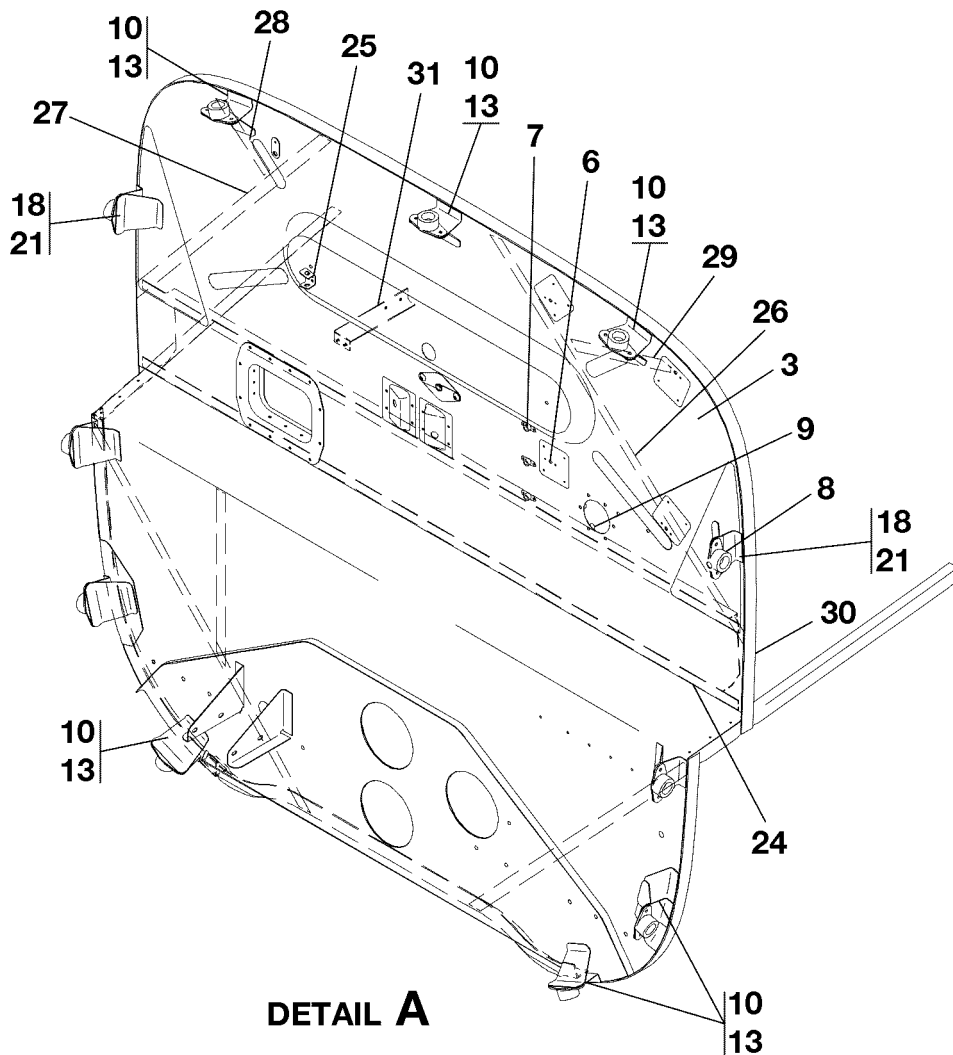
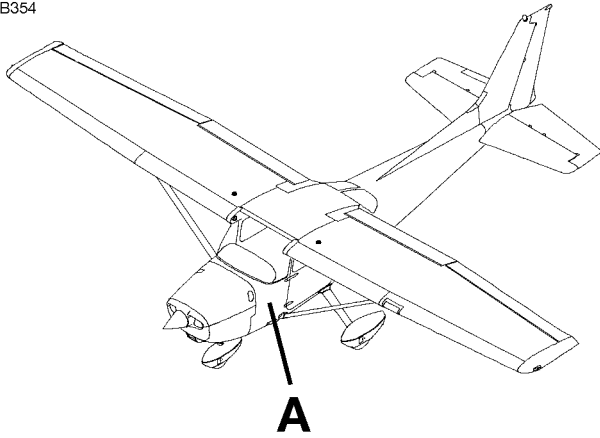
CESSNA AIRCRAFT COMPANY
MODEL 172 (SERIES 1996 AND ON)
 ILLUSTRATED PARTS CATALOG

FIG ITEM	PART NUMBER	NOMENCLATURE	UNITS PER ASSY		
			1	2	3
04		REMOTE AVIONICS STRUCTURE INSTALLATION-NAV III			
-			81241	& ON	RF
			09810	& ON	
1	0512015-5	. BULKHEAD			01
2	3940396-13	. SHELF SUPPORT			02
- 3	3940396-15	. COUPLER BRACKET ASSY			01
4	3940396-16	. COUPLER BRACKET			01
5	MS21069L3K	. . NUTPLATE			02
6	3940396-17	. SHELF ASSY			01
- 7	MS21069-08	. . NUTPLATE			06
- 8	MS21069L3	. . NUTPLATE			05
- 9	3940396-18	. . SHELF			01
10	3940396-2	. RACK			02
		ATTACHING PARTS			
11	MS35207-262	. SCREW			04
12	MS21042L3	. NUT			04
		—*—			
13	3940396-3	. FORWARD SUPPORT-RH			01
14	3940396-7	. BULKHEAD			01
15	3940396-6	. HORIZONTAL SUPPORT			01
		ATTACHING PARTS			
16	MS21042L3	. NUT			02
17	MS35207-262	. SCREW			02
		—*—			
18	3940396-5	. VERTICAL SUPPORT-LH			01
		ATTACHING PARTS			
19	MS35207-262	. SCREW			02
		—*—			
20	3940396-8	. CLIP			01
		ATTACHING PARTS			
21	MS35207-262	. SCREW			02
22	MS21042L3	. NUT			02
		—*—			
- 23	3940483-6	. SHELF ASSY 172	81617	& ON	01 R
- 23A	3940483-6	. SHELF ASSY 172S	11191	& ON	01 R
24	MS21069L08	. NUTPLATE			06 R
25	3940483-7	. SHELF 172	81617	& ON	01 R
- 25A	3940483-7	. SHELF 172S	11191	& ON	01 R
26	3940483-8	. ANGLE-FORMED 172	81617	& ON	02 R
- 26A	3940483-8	. ANGLE-FORMED 172S	11191	& ON	02 R
27	3940483-9	. ANGLE-FORMED 172	81617	& ON	02 R
- 27A	3940483-9	. ANGLE-FORMED 172S	11191	& ON	02 R

- ITEM NOT ILLUSTRATED

CESSNA AIRCRAFT COMPANY
MODEL 172 (SERIES 1996 AND ON)
ILLUSTRATED PARTS CATALOG

B354



FIREWALL ASSEMBLY
FIGURE 01 (SHEET 1)

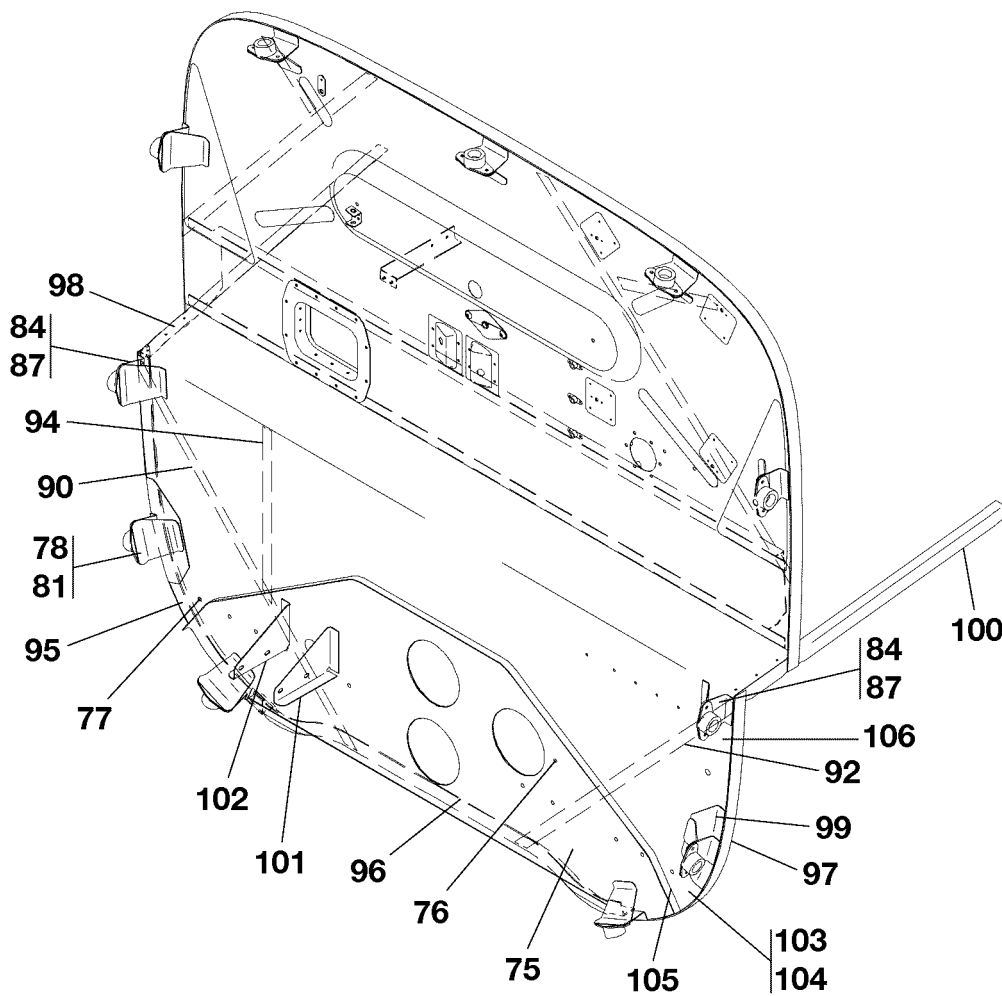
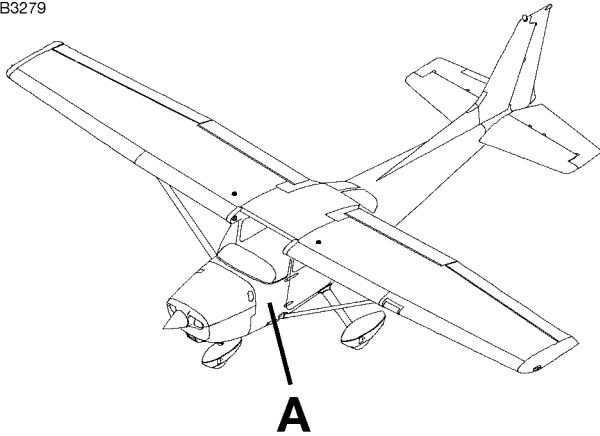
0510T1007
A0511T1008

CESSNA AIRCRAFT COMPANY
MODEL 172 (SERIES 1996 AND ON)
ILLUSTRATED PARTS CATALOG

FIG ITEM	PART NUMBER	NOMENCLATURE	UNITS PER ASSY		
			1	2	3
01		FIREWALL ASSEMBLY	80001	81535	RF R
-			08001	10770	
- 1	0553031-1	. FIREWALL ASSY 172	80001	80983	01
- 1A	0553031-1	. FIREWALL ASSY 172S	08001	08703	01
- 2	0553031-17	. FIREWALL ASSY 172S	80984	81535	01 R
- 2A	0553031-17	. FIREWALL ASSY 172S	08704	10770	01 R
- 3	0553031-2	. . FIREWALL ASSY-UPPER 172	80001	80983	01
- 3A	0553031-2	. . FIREWALL ASSY-UPPER 172S	08001	08703	01
- 4	0553031-18	. . FIREWALL ASSY-UPPER 172	80984	81535	01 R
- 4A	0553031-18	. . FIREWALL ASSY-UPPER 172S	08704	10770	01
- 5	0553031-4	. . . UPPER FIREWALL SHEET 172	80001	80983	01
- 5A	0553031-4	. . . UPPER FIREWALL SHEET 172S	08001	08703	01
- 5B	0553031-16	. . . UPPER FIREWALL SHEET FSO 0553031-22 172	80984	81340	NP
- 5C	0553031-16	. . . UPPER FIREWALL SHEET FSO 0553031-22 172S	08704	10286	NP
- 5D	0553031-22	. . . UPPER FIREWALL SHEET 172	81341	81535	01 R
- 5E	0553031-22	. . . UPPER FIREWALL SHEET 172S	10287	10770	01 R
6	MS21047L3	. . . NUTPLATE-J-BOX INSTL			04
7	MS21047L08K	. . . NUTPLATE-AVIONICS COOLING FAN			03
8	MS21047-5K	. . . NUTPLATE-BATTERY GROUND			01
9	MS21069L08K	. . . NUTPLATE			06
10	0453003-21	. . . SHOCK MOUNT ASSY-COWL 172	80001	80724	03
- 10A	0453003-21	. . . SHOCK MOUNT ASSY-COWL 172S	08001	08201	03
- 11	0553033-2	. . . SHOCK MOUNT ASSY-COWL FSO 0553033-8 172	80725	81097	NP
- 11A	0553033-2	. . . SHOCK MOUNT ASSY-COWL FSO 0553033-8 172S	08202	09059	NP
- 12	0553033-8	. . . SHOCK MOUNT ASSY-COWL	81098	81535	06 R
- 12A	0553033-8	. . . SHOCK MOUNT ASSY-COWL	09060	10771	06 R
13	J7444-36	. . . SHOCK MOUNT COWL FSO J-7444-42 172	V13636	80001	81097
- 13A	J7444-36	. . . SHOCK MOUNT COWL FSO J-7444-42 172S	V13636	08001	09059
- 14	J7444-42	. . . SHOCK MOUNT-COWL 172	V76005	81098	81535
- 14A	J7444-42	. . . SHOCK MOUNT-COWL 172S	V76005	09060	10771
- 15	MS35206-246	. . . SCREW			02
- 16	MS21072L08	. . . NUTPLATE			02
- 17	0552227-1	. . . SHIM-PERMISSIBLE TO MEET REQ SEE MAINTANCE MANUAL			AR
18	0453003-22	. . . SHOCK MOUNT ASSY-COWL 172	80001	80724	02
- 18A	0453003-22	. . . SHOCK MOUNT ASSY-COWL 172S	08001	08201	02
- 19	0553033-1	. . . SHOCK MOUNT ASSY-COWL FSO 0553033-7 172	80725	81097	02
- 19A	0553033-1	. . . SHOCK MOUNT ASSY-COWL FSO 0553033-7 172S	08202	09059	02
- 20	0553033-7	. . . SHOCK MOUNT ASSY-COWL 172	81098	81535	02 R
- 20A	0553033-7	. . . SHOCK MOUNT ASSY-COWL 172S	09060	10770	02 R
21	J7444-36	. . . SHOCK MOUNT-COWL FSO J-7444-42 172	V13636	80001	81097
- 21A	J7444-36	. . . SHOCK MOUNT-COWL FSO J-7444-42 172S	V13636	08001	09059
- 22	J7444-42	. . . SHOCK MOUNT-COWL 172	V76005	81098	81535
- 22A	J7444-42	. . . SHOCK MOUNT-COWL 172S	V76005	09060	10771
- 23	0552227-1	. . . SHIM-PERMISSIBLE TO MEET REQ SEE MAINTANCE MANUAL			AR
24	0513109-66	. . . DUCT ASSY-HEATER			01
25	0450286-1	. . . CLIP 172	80004	81535	01 R
- 25A	0450286-1	. . . CLIP 172S	08001	10770	01 R
26	0500044-23	. . . ANGLE-LH			01
27	0500044-35	. . . ANGLE-RH 172	80001	81204	01
- 27A	0500044-35	. . . ANGLE-RH 172S	08001	09595	01
- 27B	0500044-21	. . . ANGLE-RH 172	81205	81535	01 R
- 27C	0500044-21	. . . ANGLE-RH 172S	09596	10770	01 R
28	0513109-70	. . . ANGLE-RH			01
29	0513109-69	. . . ANGLE-LH			01
30	0513109-23	. . . ANGLE			01
31	0560060-1	. . . FLAP HANDLE SUPPORT ASSY			01

CESSNA AIRCRAFT COMPANY
MODEL 172 (SERIES 1996 AND ON)
ILLUSTRATED PARTS CATALOG

B3279



DETAIL A

FIREWALL ASSEMBLY
FIGURE 01 (SHEET 2)

0510T1007
A0511T1008

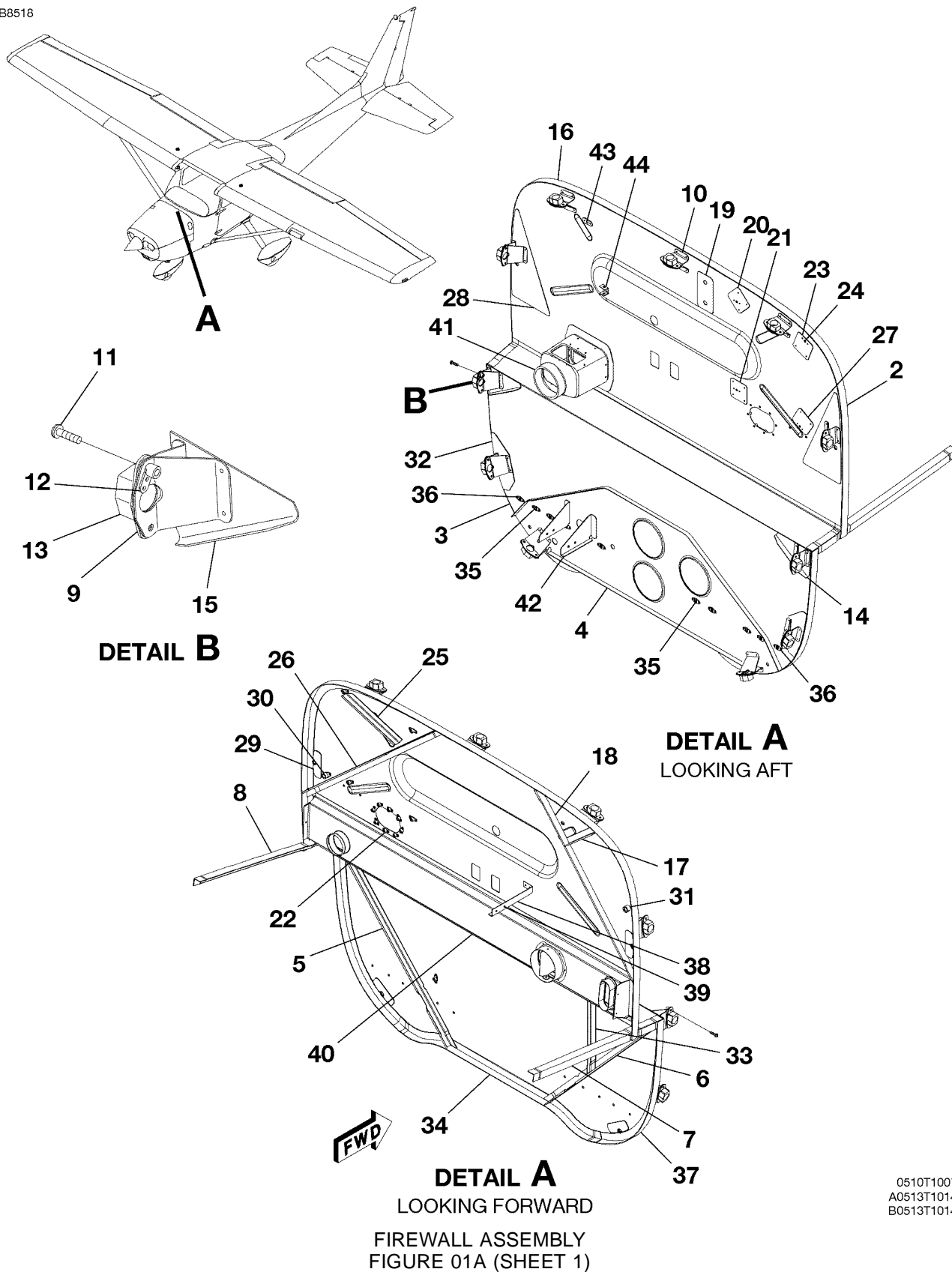
CESSNA AIRCRAFT COMPANY
MODEL 172 (SERIES 1996 AND ON)
ILLUSTRATED PARTS CATALOG

FIG ITEM	PART NUMBER	NOMENCLATURE	UNITS	
			PER	ASSY
01				
75	0553031-3	.. FIREWALL ASSY-LOWER		01
76	MS21047-3	.. NUTPLATE-BATTERY DRAIN CLAMP		01
77	S3241-3A	.. NUTPLATE		11
78	0453003-21	.. SHOCK MOUNT ASSY-COWL 172	80001	80724 04
- 78A	0453003-21	.. SHOCK MOUNT ASSY-COWL 172S	80001	08201 04
- 79	0553033-1	.. SHOCK MOUNT ASSY-COWL FSO 0553033-7 172	80725	81097 NP
- 79A	0553033-1	.. SHOCK MOUNT ASSY-COWL FSO 0553033-7 172S	08202	09059 NP
- 80	0553033-7	.. SHOCK MOUNT ASSY-COWL 172	81098	81535 01 R
- 80A	0553033-7	.. SHOCK MOUNT ASSY-COWL 172S	09060	10770 01 R
81	J7444-36	.. SHOCK MOUNT-COWL FSO J-7444-42 172	V13636	80001 81097 NP
- 81A	J7444-36	.. SHOCK MOUNT-COWL FSO J-7444-42 172S	V13636	08001 09059 NP
- 82	J7444-42	.. SHOCK MOUNT-COWL 172	V13636	81098 81535 01 R
- 82A	J7444-42	.. SHOCK MOUNT-COWL 172S	V13636	09060 10770 01 R
- 83	0552227-1	.. SHIM-PERMISSIBLE TO MEET REQ SEE MAINTANCE MANUAL		AR
84	0453003-24	.. SHOCK MOUNT ASSY-COWL 172	80001	80724 02
- 84A	0453003-24	.. SHOCK MOUNT ASSY-COWL 172S	08001	08201 02
- 85	0553033-1	.. SHOCK MOUNT ASSY-COWL FSO 0553033-7 172	80725	81097 NP
- 85A	0553033-1	.. SHOCK MOUNT ASSY-COWL FSO 0553033-7 172S	08202	09059 NP
- 86	0553033-7	.. SHOCK MOUNT ASSY-COWL 172	81098	81535 02 R
- 86A	0553033-7	.. SHOCK MOUNT ASSY-COWL 172S	09060	10770 02 R
87	J7444-36	.. SHOCK MOUNT-COWL FSO J-7444-42 172	V13636	80001 81097 NP
- 87A	J7444-36	.. SHOCK MOUNT-COWL FSO J-7444-42 172S	V13636	08001 09059 NP
- 88	J7444-42	.. SHOCK MOUNT-COWL 172	V13636	81098 81535 02 R
- 88A	J7444-42	.. SHOCK MOUNT-COWL 172S	V13636	09060 10770 02 R
- 89	0552227-1	.. SHIM-PERMISSIBLE TO MEET REQ SEE MAINTANCE MANUAL		AR
90	0513109-8	.. ANGLE-REINFORCEMENT RH 172	80001	80724 01
- 90A	0513109-8	.. ANGLE-REINFORCEMENT RH172S	08001	08201 01
- 91	0513577-2	.. ANGLE-REINFORCEMENT RH 172	80725	81535 01 R
- 91A	0513577-2	.. ANGLE-REINFORCEMENT RH 172S	08202	10770 01 R
92	0513109-12	.. ANGLE-REINFORCEMENT LH 172	80001	80724 01
- 92A	0513109-12	.. ANGLE-REINFORCEMENT LH 172S	08001	08201 01
- 93	0513577-1	.. ANGLE-REINFORCEMENT LH 172	80725	81535 01 R
- 93A	0513577-1	.. ANGLE-REINFORCEMENT LH 172S	08202	10770 01 R
94	0553006-4	.. ANGLE		01
95	0513109-11	.. ANGLE-RH		01
96	0513109-9	.. ANGLE		01
97	0513109-7	.. ANGLE-LH		01
98	0513109-24	.. ANGLE-RH 172	80001	80724 01
- 98A	0513109-24	.. ANGLE-RH 172S	08001	08201 01
99	0553007-2	.. REINFORCEMENT-LH AND RH 172 FSO 0553007-3	80001	81535 NP
- 99A	0553007-2	.. REINFORCEMENT-LH AND RH 172S FSO 0553007-3	08001	10770 NP
100	0513109-15	.. ANGLE-LH 172	80001	80724 01
- 100A	0513109-15	.. ANGLE-LH 172S	08001	08201 01
101	0516030-1	.. BRACKET-FUEL STRAINER		01
102	0516030-2	.. BRACKET-FUEL STRAINER		01
103	0553031-5	.. FIREWALL SHEET-LOWER 172	80001	80724 01
- 103A	0553031-5	.. FIREWALL SHEET-LOWER 172S	80001	08201 01
104	0553031-15	.. FIREWALL SHEET-LOWER 172	80725	81187 01
- 104A	0553031-15	.. FIREWALL SHEET-LOWER 172S	08202	09490 01
- 104B	0553031-20	.. FIREWALL SHEET-LOWER 172	81188	81535 01 R
- 104C	0553031-20	.. FIREWALL SHEET-LOWER 172S	09491	10770 01 R
105	0513109-90	.. REINFORCEMENT		01
106	0553035-1	.. GUSSET-LH		AR
- 107	0553035-2	.. GUSSET-RH		AR

- ITEM NOT ILLUSTRATED

CESSNA AIRCRAFT COMPANY
MODEL 172 (SERIES 1996 AND ON)
 ILLUSTRATED PARTS CATALOG

B8518



0510T1007
 A0513T1014
 B0513T1014

DETAIL A
 LOOKING FORWARD
 FIREWALL ASSEMBLY
 FIGURE 01A (SHEET 1)

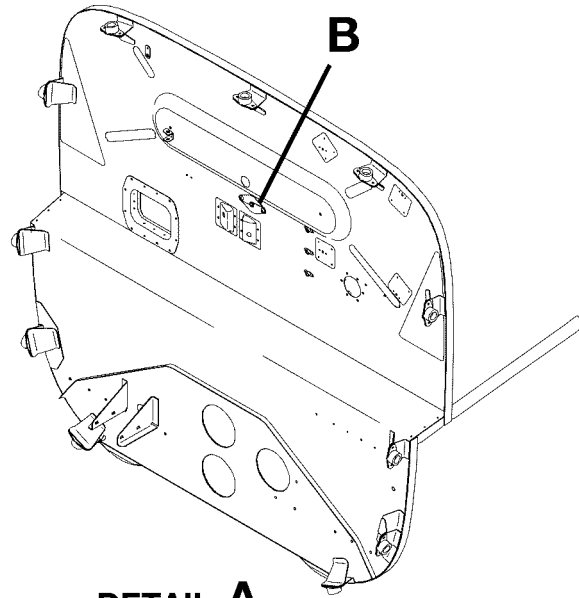
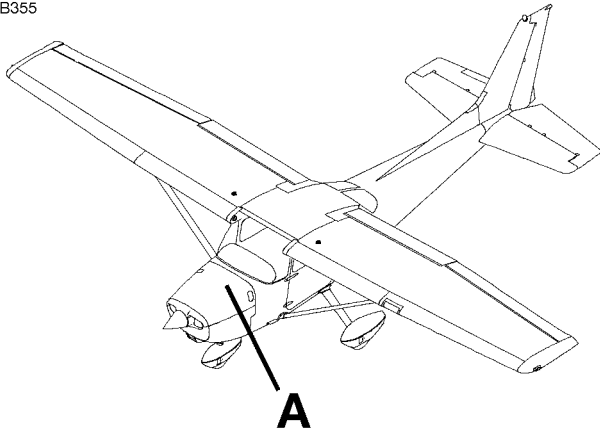
CESSNA AIRCRAFT COMPANY
MODEL 172 (SERIES 1996 AND ON)
ILLUSTRATED PARTS CATALOG

FIG ITEM	PART NUMBER	NOMENCLATURE	UNITS PER ASSY		
			1	2	3
01A					
-		FIREWALL ASSEMBLY	81536	& ON	RF
			10771	& ON	
- 1	0553041-1	. FIREWALL ASSEMBLY			01
2	0553042-1	. . FIREWALL SHEET-UPR			01
3	0553042-2	. . FIREWALL SHEET-LWR			01
4	0553046-1	. . REINFORCEMENT-FIREWALL ASSY			01
5	0513577-1	. . ANGLE-LH			01
6	0513577-2	. . ANGLE-RH			01
7	0513515-3	. . ANGLE-LH FIREWALL			01
8	0513515-4	. . ANGLE-RH FIREWALL			01
9	0553033-7	. . BRACKET ASSY			08
10	0553033-8	. . BRACKET ASSY			03
11	MS35206-246 SCREW			02
12	MS21072L08 NUTPLATE			02
13	J-7444-42 MOUNT	V76005		01
14	0553035-1	. . GUSSET-LH			01
15	0553035-2	. . GUSSET-RH			01
16	0513109-23	. . ANGLE			01
17	0513109-70	. . ANGLE			01
18	0553031-21	. . ANGLE			01
19	0553046-2	. . DOUBLER			01
20	0553031-10	. . DOUBLER			01
21	0553031-12	. . DOUBLER			01
22	MS21069L08K	. . NUTPLATE			08
23	0553031-9	. . DOUBLER			01
24	MS21047L3	. . NUTPLATE			05
25	0513109-69	. . ANGLE			01
26	0500044-23	. . ANGLE			01
27	0553046-6	. . DOUBLER			01
28	0553046-5	. . DOUBLER			02
29	0553046-4	. . SPACER			04
30	MS21047-5K	. . NUT			01
31	MS21071-5	. . NUT THIELERT BATTERY GROUND			01
32	0553007-3	. . REINFORCEMENT			02
33	0553006-4	. . ANGLE			01
34	0513109-9	. . ANGLE			01
35	S3431-3A	. . NUTPLATE			02 R
36	S3431-3	. . NUTPLATE			09 R
37	0513109-11	. . ANGLE			01
38	0560060-1	. . FLAP HANDLE SUPPORT ASSY			01
39	MS21048L06	. . NUTPLATE			02
40	0513109-66	. . HEATER DUCT ASSY			01
41		. CABIN HEATING AND DEFROSTING INSTALLATION REFER TO 21-40-00 FIGURE 01			RF
42		. FUSELAGE FRONT SECTION STRUCTURE ASSEMBLY REFER TO 53-10-00 FIGURE 02			RF
43	0553046-7	. . DOUBLER-CABLE			01
44	0450286-1	. . CLIP			01

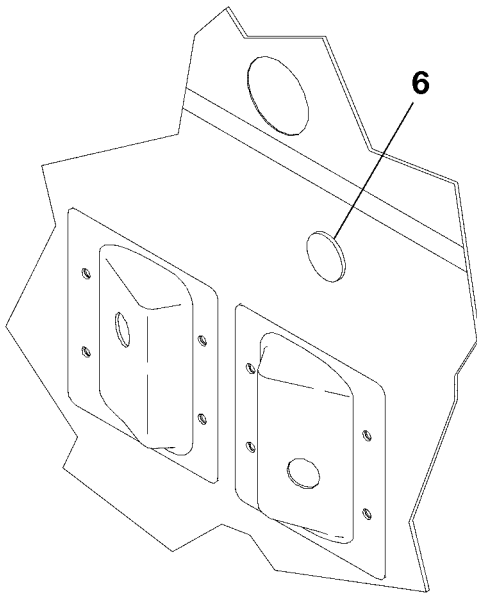
- ITEM NOT ILLUSTRATED

CESSNA AIRCRAFT COMPANY
MODEL 172 (SERIES 1996 AND ON)
ILLUSTRATED PARTS CATALOG

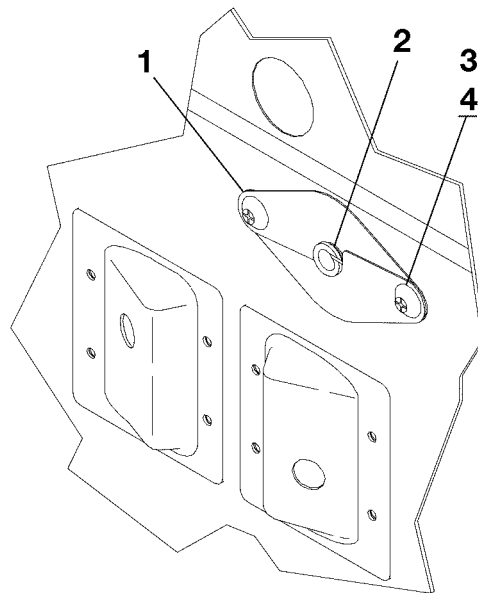
B355



DETAIL A



DETAIL B
NAV III



DETAIL B

0510T1007
A0511T1007
B0511T1007

FIREWALL GROMMET INSTALLATION
FIGURE 02 (SHEET 1)

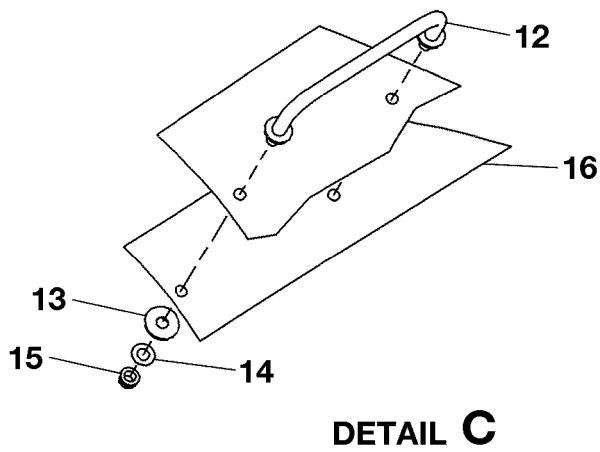
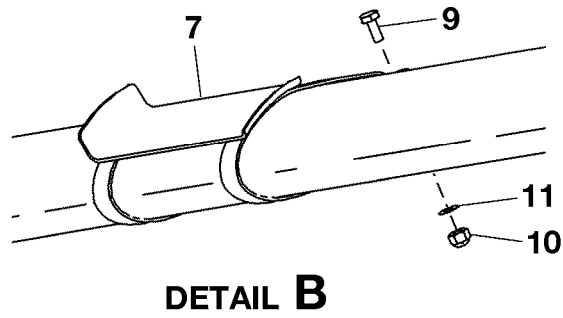
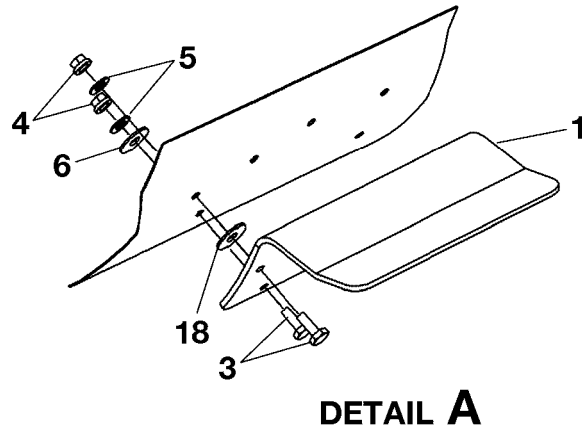
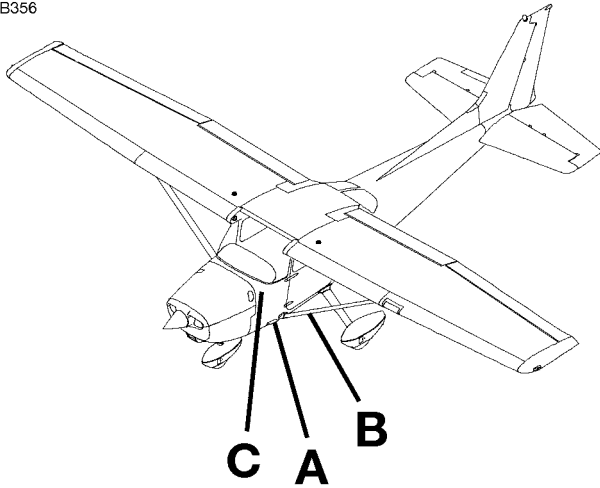
CESSNA AIRCRAFT COMPANY
MODEL 172 (SERIES 1996 AND ON)
 ILLUSTRATED PARTS CATALOG

FIG ITEM	PART NUMBER	NOMENCLATURE	UNITS	
			PER	ASSY
02		FIREWALL GROMMET INSTALLATION		RF
-				
1	S1095-3	. SHIELD-TACHOMETER SHAFT 172	81075	& ON 02
- 1A	S1095-3	. SHIELD-TACHOMETER SHAFT 172S	08908	& ON 02
- 1B	S1095-14	. SHIELD-TACHOMETER SHAFT 172	80952	81074 02
- 1C	S1095-14	. SHIELD-TACHOMETER SHAFT 172S	08554	08907 02
- 1D	S1095-3	. SHIELD-TACHOMETER SHAFT 172	80001	80851 02
- 1E	S1095-3	. SHIELD-TACHOMETER SHAFT 172S	08001	08553 02
2	NAS557-6A	. GROMMET-TACHOMETER SHAFT		01
		ATTACHING PARTS		
3	S1021Z8-6	. SCREW		02
4	S4215-4	. NUT		02 R
- 5		. INDICATOR TACH REFER TO 77-40-00 FIGURE 01		RF
6	CM2692-26J1S	. PLUG BUTTON 172	81241	& ON 01
- 6A	CM2692-26J1S	. PLUG BUTTON 172S	09810	& ON 01

- ITEM NOT ILLUSTRATED

CESSNA AIRCRAFT COMPANY
MODEL 172 (SERIES 1996 AND ON)
ILLUSTRATED PARTS CATALOG

B356



STEP AND HANDLE INSTALLATION-REFUELING
FIGURE 01 (SHEET 1)

0510T1007
A0513T1004
B0513T1004
C0513T1004

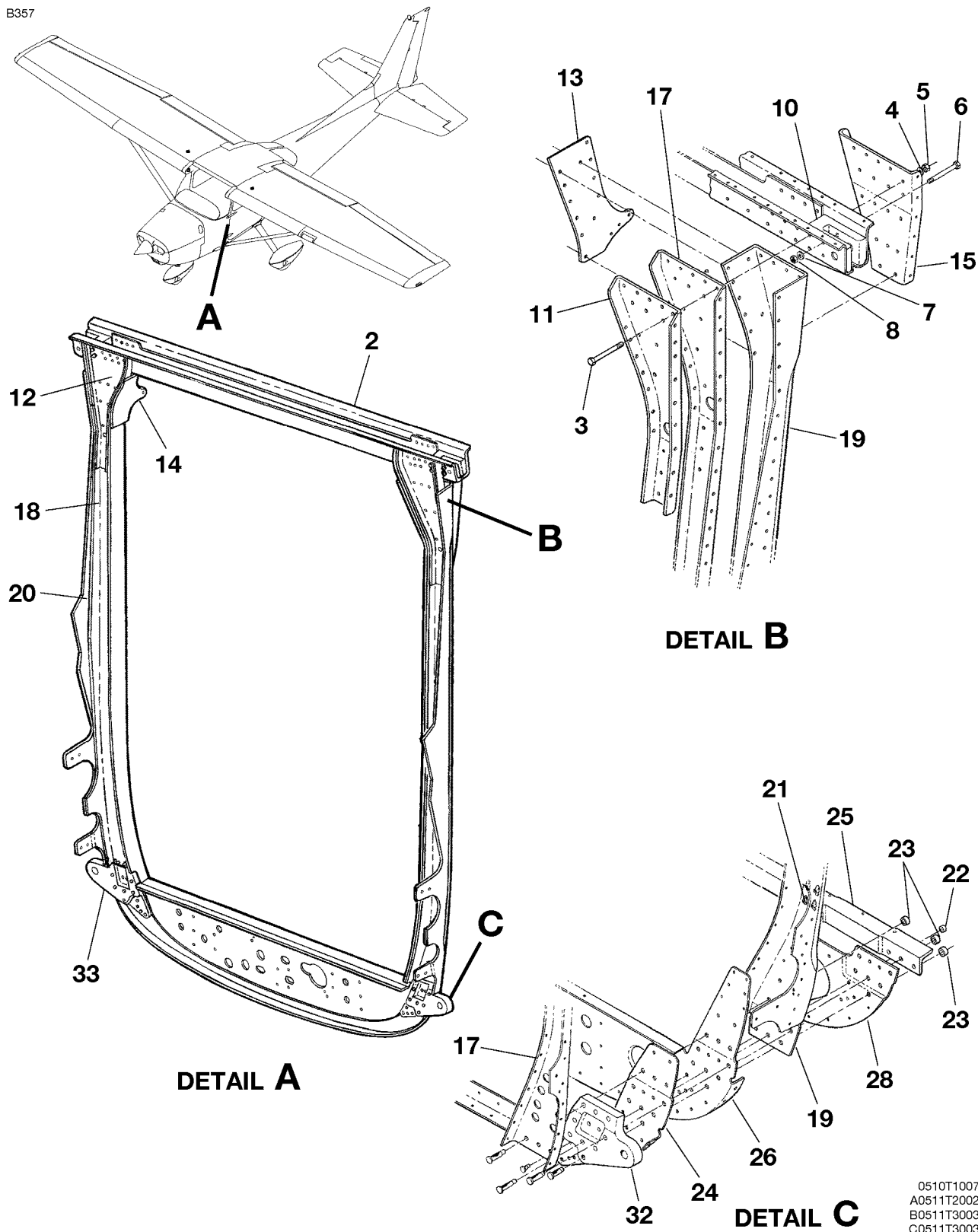
CESSNA AIRCRAFT COMPANY
MODEL 172 (SERIES 1996 AND ON)
ILLUSTRATED PARTS CATALOG

FIG ITEM	PART NUMBER	NOMENCLATURE	UNITS	
			PER	ASSY
01		STEP AND HANDLE INSTALLATION-REFUELING		RF
-				
1	0513526-1	. STEP-LH 172 FSO 0513418-201	80001	81544 NP
- 1A	0513418-201	. STEP ASSY-LH 172	80001	81544 01
- 1B	0513418-1	. STEP-LH 172	81545	& ON 01
- 1C	0513526-1	. STEP-LH 172S FSO 0513418-201	08001	10892 NP
- 1D	0513418-201	. STEP ASSY-LH 172S	08001	10892 01
- 1E	0513418-1	. STEP-LH 172S	10893	& ON 01
- 2	0513526-2	. STEP-RH 172 FSO 0513418-202	80001	81544 NP
- 2A	0513418-202	. STEP ASSY-RH 172	80001	81544 01
- 2B	0513418-2	. STEP-RH 172	801545	& ON 01
- 2C	0513526-2	. STEP-RH 172S FSO 0513418-202	08001	10892 NP
- 2D	0513418-202	. STEP ASSY-RH 172S	08001	10892 01
- 2E	0513418-2	. STEP-RH 172S	10893	& ON 01
		ATTACHING PARTS		
3	AN3-4A	. BOLT		06
4	MS21044N3	. NUT		06
5	NAS1149D0316H	. WASHER		06
6	AN970-3	. WASHER		01
		—*—		
7	0500276-1	. STEP ASSY-LH STRUT 172 FSO 0500840-201	80001	81544 NP
- 7A	0500840-201	. STEP ASSY-LH STRUT 172	80001	81544 01
- 7B	0500840-1	. STEP ASSY-LH STRUT 172	81545	& ON 01
- 7C	0500276-1	. STRUT STEP ASSY-LH 172S FSO 0500840-201	08001	10892 NP
- 7D	0500840-201	. STRUT STEP ASSY-LH 172S	08001	10892 01
- 7E	0500840-1	. STRUT STEP ASSY-LH 172S	10893	& ON 01
- 8	0500276-2	. STEP ASSY-RH STRUT 172 FSO 0500840-202	80001	81544 NP
- 8A	0500840-202	. STEP ASSY-RH STRUT 172	80001	81544 01
- 8B	0500840-2	. STEP ASSY-RH STRUT 172	81545	& ON 01
- 8C	0500276-2	. STRUT STEP ASSY-RH 172S FSO 0500840-202	08001	10892 NP
- 8D	0500840-202	. STRUT STEP ASSY-RH 172S	08001	10892 01
- 8E	0500840-2	. STRUT STEP ASSY-RH 172S	10893	& ON 01
		ATTACHING PARTS		
9	AN3-3A	. BOLT		02
10	MS21044N3	. NUT		02
11	NAS1149D0316H	. WASHER		02
		—*—		
12	1613224-2	. HANDLE-ASSIST		02
		ATTACHING PARTS		
13	S1450-4H12-050	. WASHER		02
14	NAS1149F0432P	. WASHER		02
15	MS21042L4	. NUT		02
		—*—		
16	0513429-1	. DOUBLER-LH		01
- 17	0513429-2	. DOUBLER-RH		01
18	S1450-3A10-080	. WASHER-ON FLOAT PLANES		02
- 19	FAK-201CC/STEP	. 172 FUEL STEP COVER, 10P 172	81545	81592 02 R
- 19A	FAK-201CC/STEP	. 172 FUEL STEP COVER, 10P 172S	10886	11120 02 R
- 20	0513591-1	. TAPE-NONSKID REFUEL STEP-LH AND RH 172	81545	& ON 02
- 21	0513591-1	. TAPE-NONSKID REFUEL STEP-LH AND RH 172S	10893	& ON 02
- 22	0513591-5	. TAPE-NONSKID STRUT STEP-LH AND RH 172	81545	& ON 02
- 23	0513591-5	. TAPE-NONSKID STRUT STEP-LH AND RH 172S	10893	& ON 02

- ITEM NOT ILLUSTRATED

CESSNA AIRCRAFT COMPANY
MODEL 172 (SERIES 1996 AND ON)
 ILLUSTRATED PARTS CATALOG

B357



FORWARD DOORPOST BULKHEAD ASSEMBLY
 FIGURE 01 (SHEET 1)

0510T1007
 A0511T2002
 B0511T3003
 C0511T3003

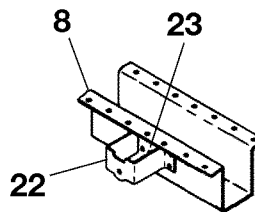
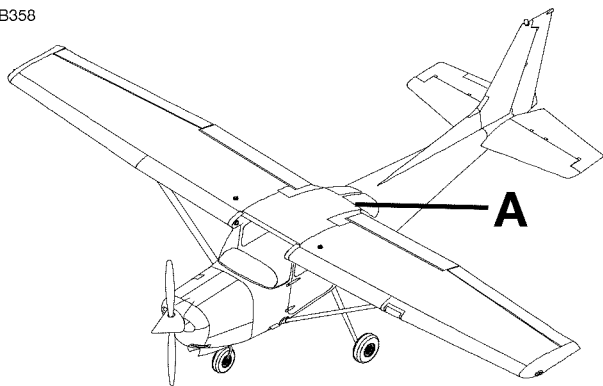
CESSNA AIRCRAFT COMPANY
MODEL 172 (SERIES 1996 AND ON)
ILLUSTRATED PARTS CATALOG

FIG ITEM	PART NUMBER	NOMENCLATURE	UNITS		
			PER	ASSY	
01		FORWARD DOORPOST BULKHEAD ASSEMBLY			RF
-					
- 1	2413050-7	. BULKHEAD ASSY-FRONT DOORPOST 172	80001	80394	01 R
- 1A	2413050-8	. BULKHEAD ASSY-FRONT DOORPOST 172	80395	81622	01 R
- 1B	2413050-8	. BULKHEAD ASSY-FRONT DOORPOST 172S	08001	11317	01 R
- 1C	2413050-9	. BULKHEAD ASSY-FRONT DOORPOST 172	81623	& ON	01 R
- 1D	2413050-9	. BULKHEAD ASSY-FRONT DOORPOST 172S	11318	& ON	01 R
2	0511162-11	. SPAR ASSY-FUSELAGE CENTER SECTION FWD			01 R
		ATTACHING PARTS			
3	AN3-22A	. BOLT			04 R
4	AN960-10	. WASHER			04 R
5	MS21044N3	. NUT			04 R
		—*—			
6	AN3-20A	. . . BOLT			04 R
7	AN960-10	. . . WASHER			04 R
8	MS21044N3	. . . NUT			02 R
- 9	NAS680A3	. . . NUTPLATE			04 R
10	0411129-0	. . . BLOCK-FUSELAGE SPAR BEARING			02 R
11	2413031-1	. BRACKET-LH FWD DOORPOST			01 R
12	2413031-2	. BRACKET-RH FWD DOORPOST			01 R
13	2413032-1	. SPLICE-LH INBOARD			01 R
14	2413032-2	. SPLICE-LH INBOARD			01 R
15	2413034-1	. BRACKET-LH AFT DOORPOST			01 R
- 16	2413034-2	. BRACKET-RH AFT DOORPOST			01 R
17	2413026-5	. BULKHEAD-LH INNER DOORPOST			01 R
18	2413026-6	. BULKHEAD-RH INNER DOORPOST			01 R
19	2413026-11	. BULKHEAD ASSY-LH OUTER DOORPOST			01 R
20	2413026-12	. BULKHEAD ASSY-RH OUTER DOORPOST			01 R
21	NAS680A3	. . . NUTPLATE			04 R
22	NAS528A6	. . . COLLAR 172	80001	80394	02 R
- 22A	NAS528A6	. . . COLLAR 172	80395	81622	04 R
- 22B	NAS528A6	. . . COLLAR 172S	08001	11317	04 R
- 22C	NAS528-A6	. . . COLLAR 172	81623	& ON	04 R
- 22D	NAS528-A6	. . . COLLAR 172S	11318	& ON	04 R
23	NAS528A8	. . . COLLAR 172	80001	81622	18 R
- 23A	NAS528A8	. . . COLLAR 172S	08001	11317	18 R
- 23B	NAS528-A8	. . . COLLAR 172	81623	& ON	18 R
- 23C	NAS528-A8	. . . COLLAR 172S	11318	& ON	18 R
24	0513504-1	. REINFORCEMENT-BULKHEAD			01 R
25	0513503-2	. STIFFENER			01 R
26	0513502-2	. BULKHEAD-FWD DOORPOST LOWER			01 R
- 27	S1916P1	. . . NUTPLATE	80001	80394	01 R
- 27A	S1916Z1	. . . NUTPLATE	80395	& ON	01 R
28	0513523-1	. DOUBLER-LH			01 R
- 29	0513523-2	. DOUBLER-RH			01 R
- 30	2413036-5	. SKIN-LH			01 R
- 31	2413036-6	. SKIN-RH			01 R
32	0513566-1	. FITTING-LH			01 R
33	0513566-2	. FITTING-RH	80001	80394	01 R
- 33A	0513566-4	. FITTING-RH	80395	& ON	01 R
- 34	0512074-6	. STRIP 172	81623	& ON	02 R
- 34A	0512074-6	. STRIP 172S	11318	& ON	02 R

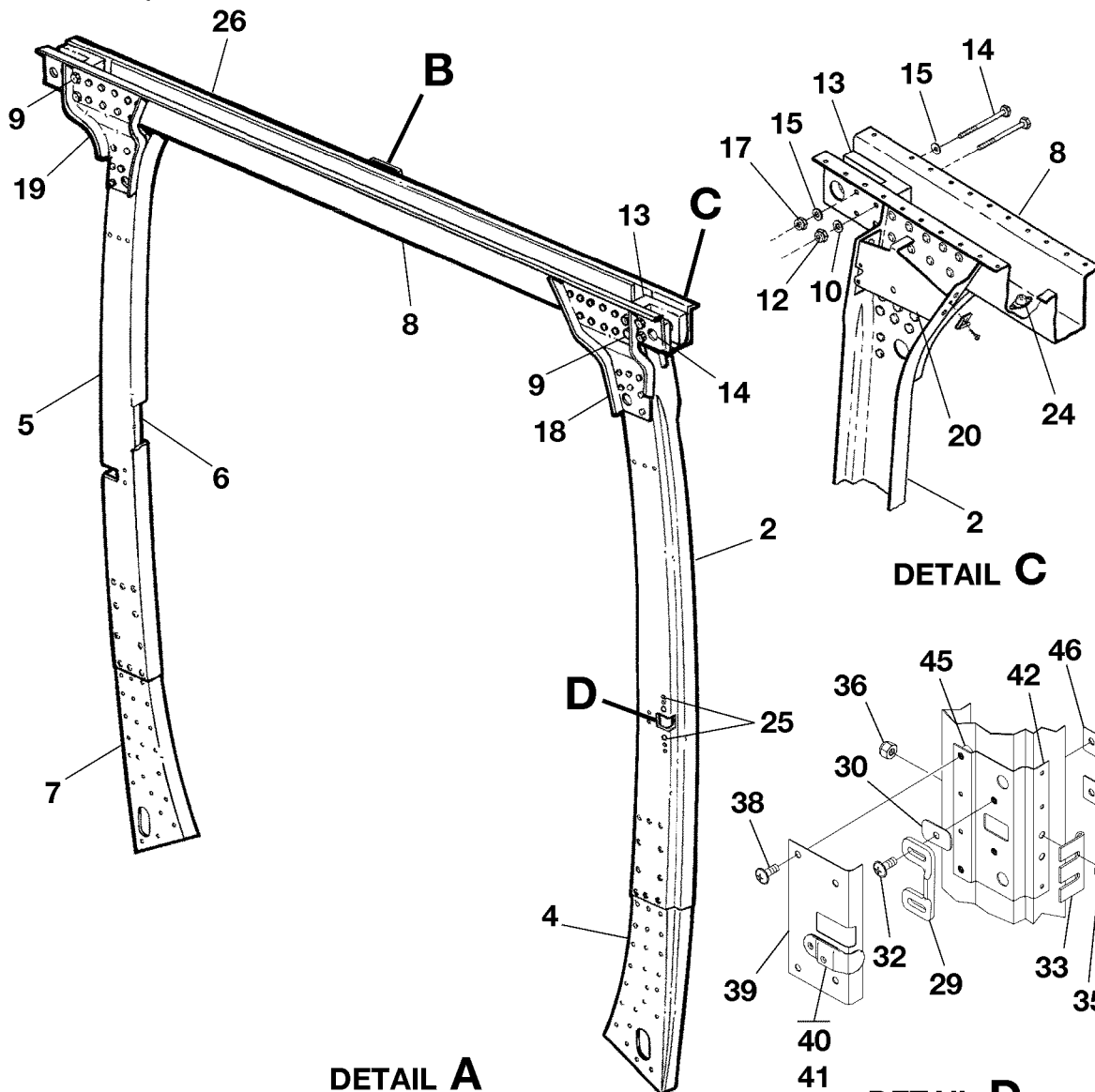
- ITEM NOT ILLUSTRATED

CESSNA AIRCRAFT COMPANY
MODEL 172 (SERIES 1996 AND ON)
 ILLUSTRATED PARTS CATALOG

B358



DETAIL B



DETAIL A

DETAIL C

DETAIL D

0510T1007
 A0512T2002
 B0512T2002
 C0512T3001
 D0512T1011

REAR DOORPOST BULKHEAD ASSEMBLY
 FIGURE 02 (SHEET 1)

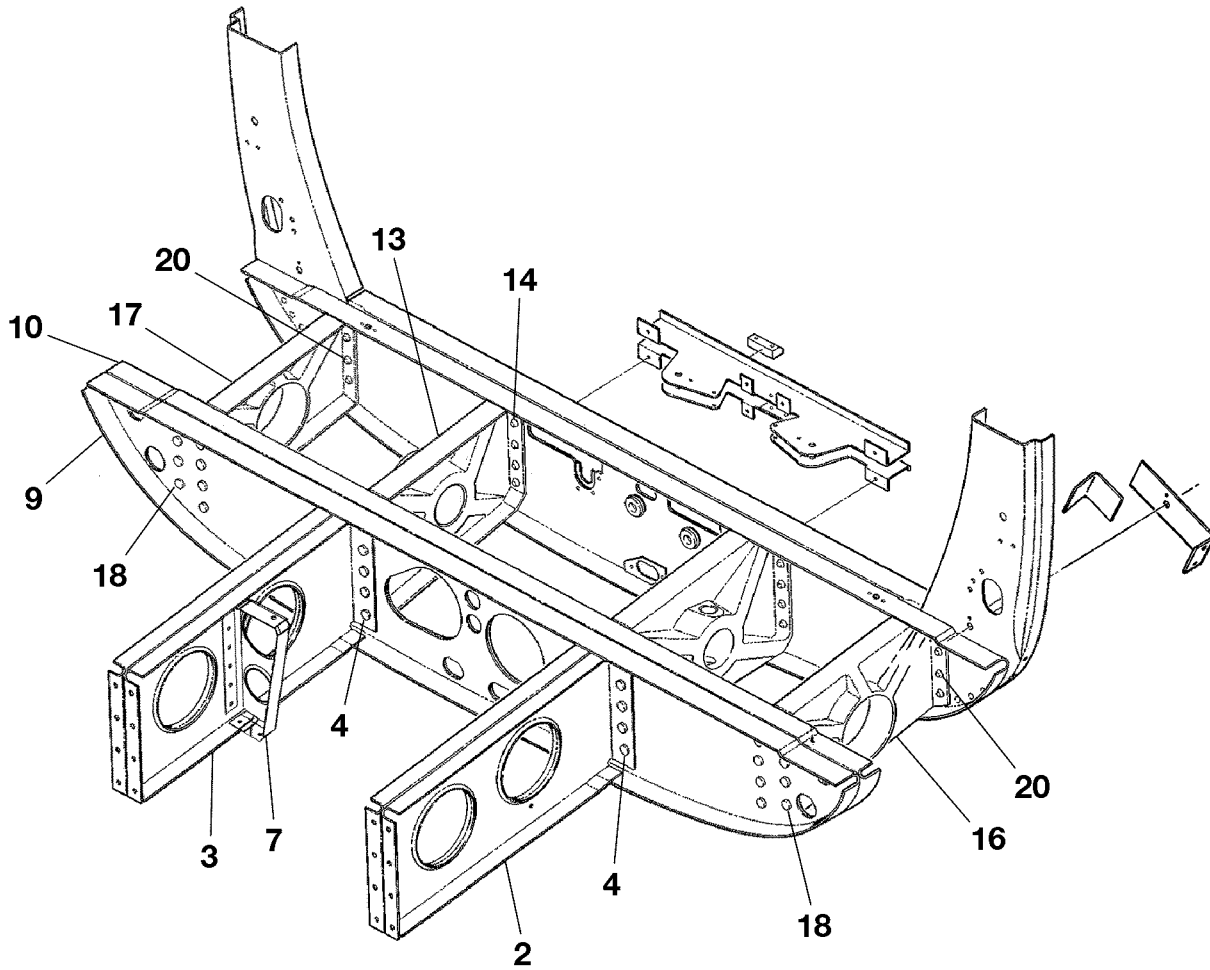
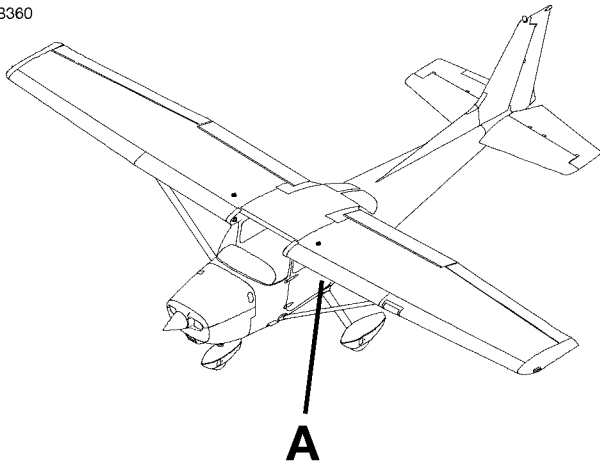
CESSNA AIRCRAFT COMPANY
MODEL 172 (SERIES 1996 AND ON)
ILLUSTRATED PARTS CATALOG

FIG ITEM	PART NUMBER	NOMENCLATURE	UNITS PER ASSY	
			1 2 3 4 5 6 7	
02		REAR DOORPOST BULKHEAD ASSEMBLY		RF
- 1	0512186-37	. BULKHEAD ASSY-REAR DOORPOST 172 FSO 0512186-38	80001 81565	NP
- 1A	0512186-37	. BULKHEAD ASSY-REAR DOORPOST 172S FSO 0512186-38	08001 10994	NP
- 1B	0512186-38	. BULKHEAD ASSY-REAR DOORPOST 172	81566 & ON	01
- 1C	0512186-38	. BULKHEAD ASSY-REAR DOORPOST 172S	10995 & ON	01
2	0512186-33	. CHANNEL ASSY-LH		01
- 3	0512186-21	. DOUBLER-LH		01
4	0512183-5	. DOUBLER-LH		01
5	0512186-34	. CHANNEL ASSY-RH		01
6	0512186-22	. DOUBLER-RH		01
7	0512183-6	. DOUBLER-RH		01
8	0512124-97	. SPAR-CENTER SECTION		01
		ATTACHING PARTS		
9	AN3-20A	. BOLT		06
10	NAS1149F0363P	. WASHER		03 R
- 11	NAS1149F0332P	. WASHER		03 R
12	MS21044N3	. NUT		06 R
		—*—		
13	0512122-0	. BLOCK-BEARING		02 R
		ATTACHING PARTS		
14	AN3-20A	. BOLT		02 R
15	NAS1149F0363P	. WASHER		01 R
- 16	NAS1149F0332P	. WASHER		01 R
17	MS21044N3	. NUT		02 R
		—*—		
18	0512124-79	. BRACE-LH		01 R
19	0512124-80	. BRACE-RH		01 R
20	0512139-3	. BRACKET-LH UPPER AILERON PULLEY		01 R
- 21	0512139-2	. BRACKET-RH UPPER AILERON PULLEY		01 R
22	0512137-0	. PULLEY BRACKET		01 R
23	MS21059L3	. NUTPLATE		01 R
- 23A	NAS1791A3-1	. NUTPLATE ALT FOR MS21059L3		01 R
24	MS21047L3	. NUTPLATE		02 R
25	MS21071L3	. NUTPLATE		04 R
26	0501046-3	. CHANNEL-INERTIA REEL SUPPORT		01 R
- 27	MS21047L4	. NUTPLATE USED WITH INERTIA REEL		04 R
- 28	0552137-1	. BRACKET-LH 172 FSO 05532137-2	80001 81565	NP R
- 28A	0552137-1	. BRACKET-LH 172S FSO 05532137-2	08001 10994	NP R
- 28B	0552137-2	. BRACKET-LH 172	81566 & ON	01 R
- 28C	0552137-2	. BRACKET-LH 172S	10995 & ON	01 R
29	1212144-1	. STRIKER PLATE-LH AND RH 172	80001 81622	02 R
- 29A	1212144-1	. STRIKER PLATE-LH AND RH 172S	08001 11320	02 R
- 29B	1212160-1	. STRIKER PLATE-LH AND RH 172	81623 & ON	02 R
- 29C	1212160-1	. STRIKER PLATE-LH AND RH 172S	11321 & ON	02 R
30	1212147-1	. SHIM-LH AND RH		AR R
- 31	1212151-2	. SHIM-LH AND RH		AR R
		ATTACHING PARTS		
32	AN525-10R8	. SCREW		04 R
		—*—		
33	0512192-1	. BUMPER-LH AND RH		02 R
		ATTACHING PARTS		
34	AN525-10R8	. SCREW		04 R
35	NAS1149F0363P	. WASHER		04 R
36	MS21044N3	. NUT		04 R
		—*—		
- 37	0512239-1	. COVER ASSY-LH AND RH		02 R
		ATTACHING PARTS		
38	AN525-10R8	. SCREW		04 R
		—*—		
39	0512239-2	. COVER		01 R
40	1212146-1	. DOOR LATCH ACTUATOR		01 R
41	1212150-1	. SHIM		AR R
42	0512238-1	. BRACKET ASSY-LH 172	80001 81622	01 R
- 42A	0512238-1	. BRACKET ASSY-LH 172S	08001 11320	01 R
- 42B	0512254-1	. BRACKET ASSY-LH 172	81623 & ON	01 R
- 42C	0512254-1	. BRACKET ASSY-LH 172S	11321 & ON	01 R
- 43	0512238-2	. BRACKET ASSY-RH 172	80001 81622	01 R
- 43A	0512238-2	. BRACKET ASSY-RH 172S	08001 11320	01 R
- 43B	0512254-2	. BRACKET ASSY-RH 172	81623 & ON	01 R
- 43C	0512254-2	. BRACKET ASSY-RH 172S	11321 & ON	01 R
44	MS21047L3	. NUTPLATE		02 R
45	NAS682A3	. NUTPLATE		02 R
46	0511826-1	. STRIKER BACK PLATE ASSY 172	81623 & ON	02 R
- 46A	0511826-1	. STRIKER BACK PLATE ASSY 172S	11321 & ON	02 R
- 47	MS21071L3	. NUTPLATE		02 R

- ITEM NOT ILLUSTRATED

CESSNA AIRCRAFT COMPANY
MODEL 172 (SERIES 1996 AND ON)
ILLUSTRATED PARTS CATALOG

B360



DETAIL A

MAIN LANDING GEAR BULKHEAD ASSEMBLY
FIGURE 03 (SHEET 1)

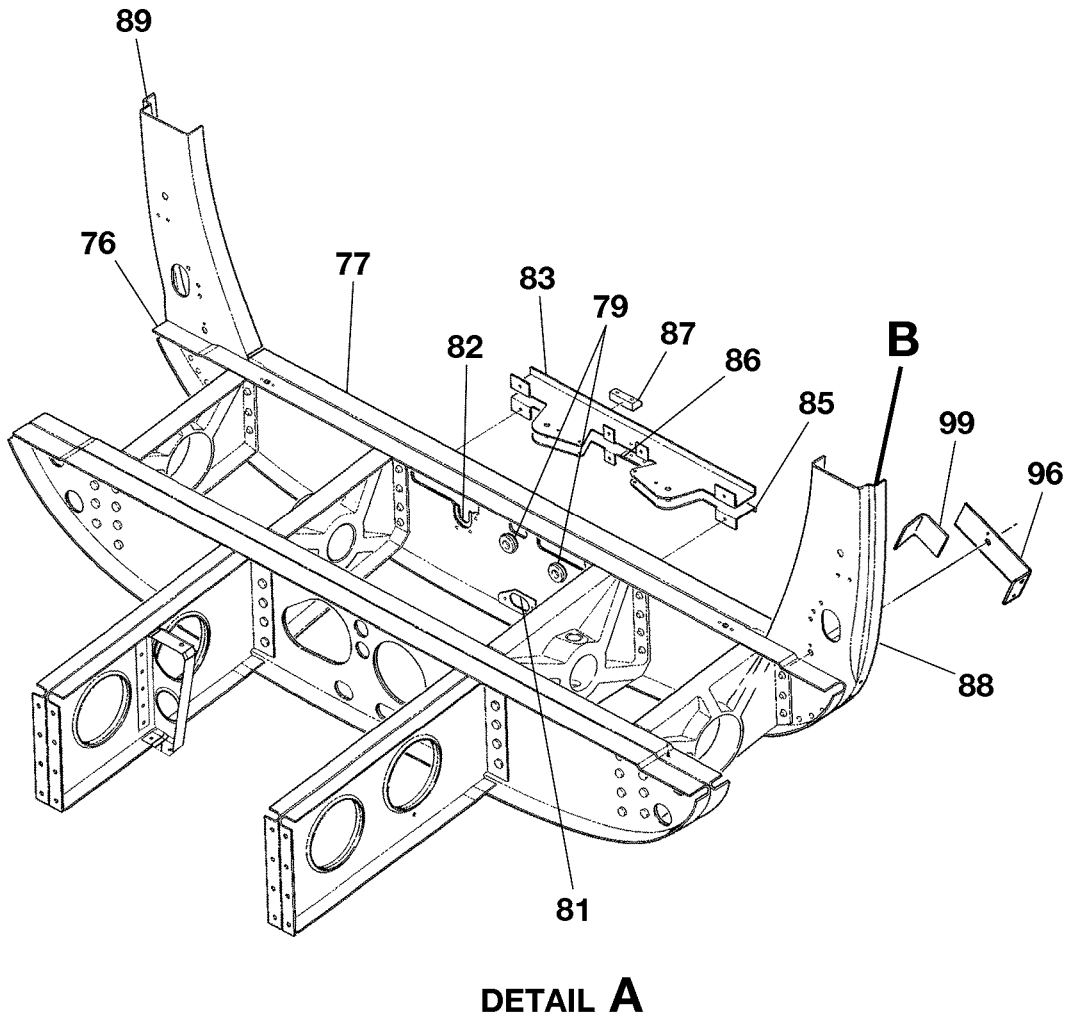
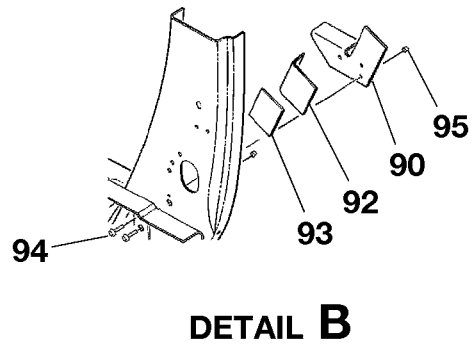
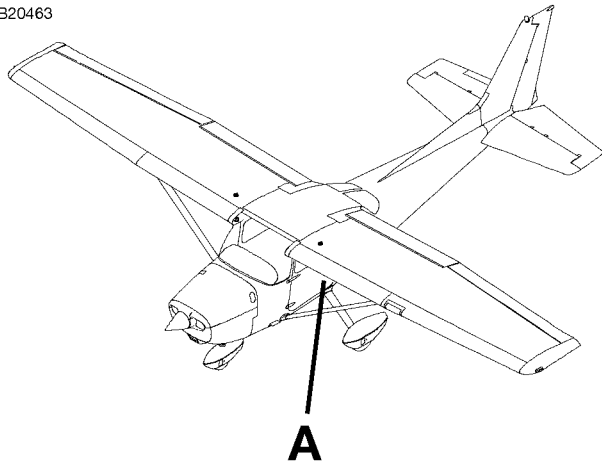
0510T1007
A0511T4001

CESSNA AIRCRAFT COMPANY
MODEL 172 (SERIES 1996 AND ON)
ILLUSTRATED PARTS CATALOG

FIG ITEM	PART NUMBER	NOMENCLATURE	UNITS	
			PER	ASSY
03		MAIN LANDING GEAR BULKHEAD ASSEMBLY		RF
-		. . . BULKHEAD ASSY-LANDING GEAR 172	80001 80236	01
- 1	0511794-7	. . . BULKHEAD ASSY-LANDING GEAR 172 FSO 0511794-9	80237 81544	NP
- 1A	0511794-8	. . . BULKHEAD ASSY-LANDING GEAR 172S FSO 0511794-9	08001 10885	NP
- 1B	0511794-8	. . . BULKHEAD ASSY-LANDING GEAR 172	81545 81622	01 R
- 1C	0511794-9	. . . BULKHEAD ASSY-LANDING GEAR 172S	10886 11599	01 R
- 1D	0511794-9	. . . BULKHEAD ASSY-LANDING GEAR 172	81623 & ON	01 R
- 1E	0511794-10	. . . BULKHEAD ASSY-LANDING GEAR 172S	11600 & ON	01 R
- 1F	0511794-10	. . . BULKHEAD ASSY-LH		01
2	0511815-1	. . . BULKHEAD ASSY-RH		01
3	0511815-2	. . . ATTACHING PARTS		01
4	NAS1054-8-9	. . . PIN REPLACED BY HL18PB8-9 WITH HL70-8		10
- 5	NAS528A8	. . . COLLAR		10
		—*—		
- 6	0511813-5	. . . BULKHEAD-INBD LH		01 R
7	0511813-6	. . . BULKHEAD-INBD RH		01 R
- 8	0511795-9	. . . BULKHEAD ASSY-LANDING GEAR		01
9	0511795-10	. . . BULKHEAD-FORWARD		01
10	0511795-2	. . . BULKHEAD-AFT		01
- 11	0512124-15	. . . FAIRLEAD		01
- 12	0541195-5	. . . LANDING GEAR SUPPORT-LH INBOARD		01
13	0541195-6	. . . LANDING GEAR SUPPORT-RH INBOARD		01
		. . . ATTACHING PARTS		
14	NAS1054-8-8	. . . PIN REPLACED BY HL18PB8-8 WITH HL70-8		09
- 15	NAS528A8	. . . COLLAR		09
		—*—		
16	0541196-1	. . . LANDING GEAR SUPPORT-LH OUTBOARD		01
17	0541196-2	. . . LANDING GEAR SUPPORT-RH OUTBOARD		01
		. . . ATTACHING PARTS		
18	NAS1054-8-8	. . . PIN	80001 80236	08 R
			81445 & ON	
			10886 & ON	
- 18A	HL18PB8-8	. . . PIN	80237 81544	08 R
			08001 10885	
- 19	NAS528A8	. . . COLLAR	80001 80236	08 R
			81445 & ON	
			10886 & ON	
- 19A	HL70-8	. . . COLLAR	80237 81544	08 R
			08001 10885	
20	NAS1054-8-10	. . . PIN	80001 80236	08 R
			81445 & ON	
			10886 & ON	
- 20A	HL18PB8-10	. . . PIN	80237 81544	08 R
			08001 10885	
- 21	NAS528A8	. . . COLLAR	80001 80236	08 R
			81445 & ON	
			10886 & ON	
- 21A	HL70-8	. . . COLLAR	80237 81544	08 R
			80001 10885	
		—*—		

CESSNA AIRCRAFT COMPANY
MODEL 172 (SERIES 1996 AND ON)
ILLUSTRATED PARTS CATALOG

B20463



MAIN LANDING GEAR BULKHEAD ASSEMBLY
FIGURE 03 (SHEET 2)

0510T1007
A0511T4001
B0511T4001

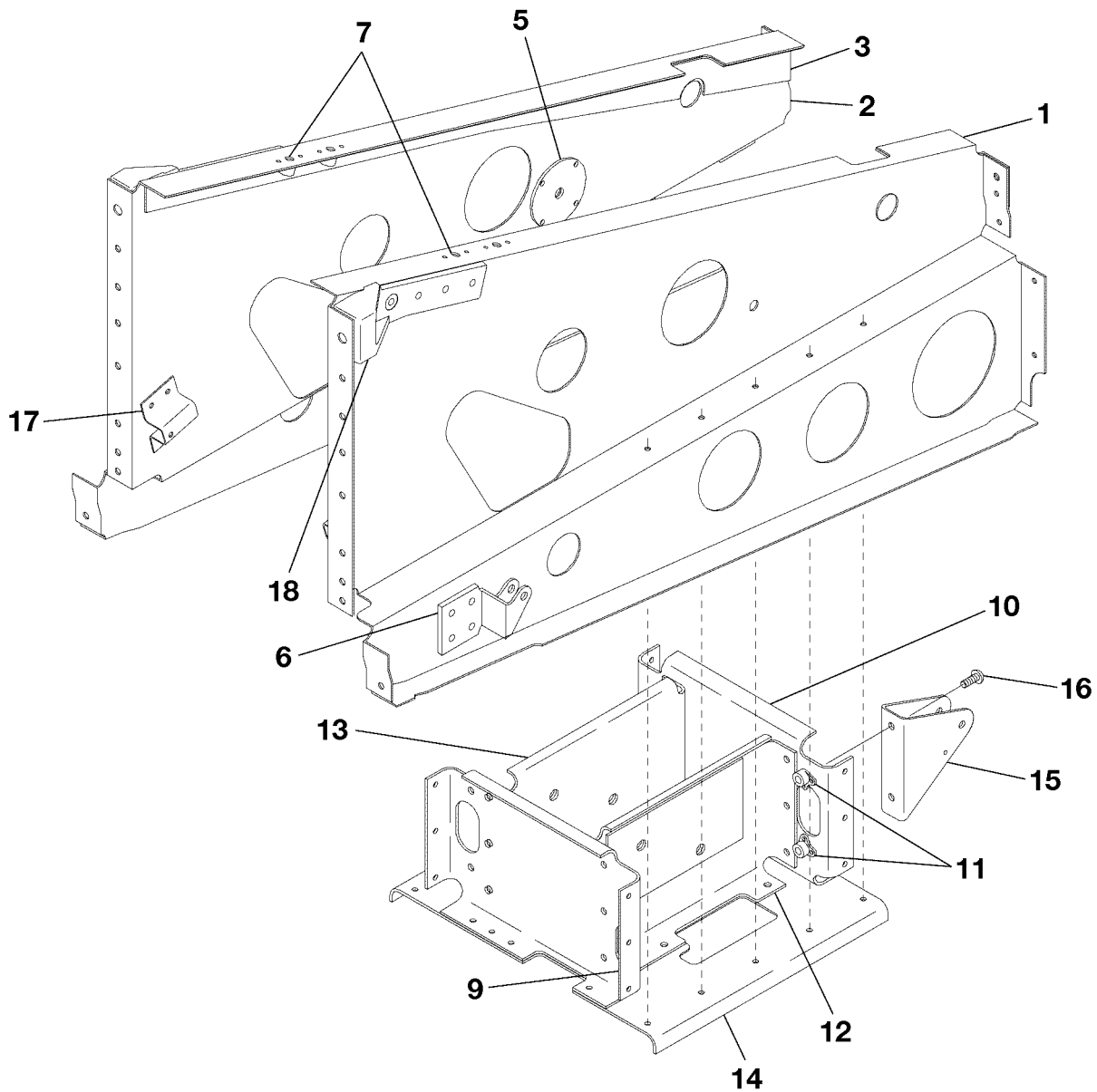
CESSNA AIRCRAFT COMPANY
MODEL 172 (SERIES 1996 AND ON)
ILLUSTRATED PARTS CATALOG

FIG ITEM	PART NUMBER	NOMENCLATURE	UNITS		
			PER	ASSY	
03					
- 75	0511796-15	. . . BULKHEAD ASSY-LANDING GEAR 172	80001	80236	01
- 75A	0511796-17	. . . BULKHEAD ASSY-LANDING GEAR 172 FSO 0511796-19	80237	81544	NP
- 75B	0511796-17	. . . BULKHEAD ASSY-LANDING GEAR 172S FSO 0511796-19	08001	10885	NP
- 75C	0511796-19	. . . BULKHEAD ASSY-LANDING GEAR 172 FSO 0511796-21	81545	81622	NP R
- 75D	0511796-19	. . . BULKHEAD ASSY-LANDING GEAR 172S FSO 0511796-21	10886	11599	NP R
- 75E	0511796-21	. . . BULKHEAD ASSY-LANDING GEAR 172	81623	& ON	01 R
- 75F	0511796-21	. . . BULKHEAD ASSY-LANDING GEAR 172S	11600	& ON	01 R
76	0511796-16	. . . BULKHEAD-FWD 172 FSO 0511796-22	80001	81622	NP R
- 76A	0511796-16	. . . BULKHEAD-FWD 172S FSO 0511796-22	08001	11599	NP R
- 76B	0511796-22	. . . BULKHEAD-FWD 172	81623	& ON	01 R
- 76C	0511796-22	. . . BULKHEAD-FWD 172S	11600	& ON	01 R
77	0511796-14	. . . BULKHEAD-AFT 172 FSO 0511796-23	08001	80236	NP
- 78	0511796-18	. . . BULKHEAD-AFT 172 FSO 0511796-23	80237	81544	NP
- 78A	0511796-18	. . . BULKHEAD-AFT 172S FSO 0511796-23	08001	10885	NP
- 78B	0511796-20	. . . BULKHEAD-AFT 172 FSO 0511796-23	81545	81622	NP R
- 78C	0511796-20	. . . BULKHEAD-AFT 172S FSO 0511796-23	10886	11599	NP R
- 78D	0511796-23	. . . BULKHEAD-AFT 172	81623	& ON	01 R
- 78E	0511796-23	. . . BULKHEAD-AFT 172S	11600	& ON	01 R
79	S338-7	. . . FAIRLEAD HALF			04
		. . . ATTACHING PARTS			
- 80	S339-P2	. . . CLIP			01
		. . . —*—			
81	0511807-1	. . . FAIRLEAD			01
82	0511808-1	. . . RUB STRIP			01
83	0512132-15	. . . BRACKET ASSY-UPPER AILERON PULLEY			01
- 84	0512132-4	. . . FAIRLEAD			01
85	0512132-17	. . . BRACKET ASSY-LOWER AILERON PULLEY			01
86	0512132-4	. . . FAIRLEAD			01
87	0512132-5	. . . FAIRLEAD			01
88	0512187-5	. . . CHANNEL-LH BULKHEAD			01
89	0512187-6	. . . CHANNEL-RH BULKHEAD			01
90	0512247-1	. . . DOUBLER-LH			01
- 91	0512247-2	. . . DOUBLER-RH			01
92	0512247-3	. . . DOUBLER			02
93	0512247-4	. . . SPACER			02
94	HL18PB8-10	. . . PIN			06
95	HL70-8	. . . COLLAR			06
96	0512134-2	. . . PULLEY BRACKET-LH 172 FSO 0512134-4 REFER TO NOTE 1	80001	81404	01
- 96A	0512134-2	. . . PULLEY BRACKET-LH 172S FSO 0512134-4 REFER TO NOTE 1	08001	10564	01
- 96B	0512134-4	. . . PULLEY BRACKET-LH 172 REFER TO NOTE 1	81405	& ON	01
- 96C	0512134-4	. . . PULLEY BRACKET-LH 172S REFER TO NOTE 1	10565	& ON	01
- 97	0512185-1	. . . SPACER			01
- 98	0512134-3	. . . PULLEY BRACKET-RH 172 FSO 0512134-4 REFER TO NOTE 1	80001	81404	01
- 98A	0512134-3	. . . PULLEY BRACKET-RH 172S FSO 0512134-4 REFER TO NOTE 1	08001	10564	01
- 98B	0512134-4	. . . PULLEY BRACKET-RH 172 REFER TO NOTE 1	81405	& ON	01
- 98C	0512134-4	. . . PULLEY BRACKET-RH 172S REFER TO NOTE 1	10565	& ON	01
99	0512247-6	. . . ANGLE REFER TO NOTE 1			02
- 100		. . . FUSELAGE FRONT AND CENTER REFER TO 53-10-00 FIGURE 01			RF

NOTE 1—WHEN REPLACING THESE PARTS REFER TO SK172-149 SERVICE KIT INSTRUCTIONS.

CESSNA AIRCRAFT COMPANY
MODEL 172 (SERIES 1996 AND ON)
ILLUSTRATED PARTS CATALOG

B361



TUNNEL COMPONENTS - FRONT SECTION
FIGURE 04 (SHEET 1)

0513T1001

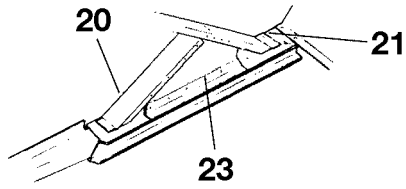
CESSNA AIRCRAFT COMPANY
MODEL 172 (SERIES 1996 AND ON)
 ILLUSTRATED PARTS CATALOG

FIG ITEM	PART NUMBER	NOMENCLATURE	UNITS
			PER ASSY
		1 2 3 4 5 6 7	
04		TUNNEL COMPONENTS - FRONT SECTION	RF
-		. BULKHEAD ASSEMBLY-LH TUNNEL	01
1	0513363-23	. BULKHEAD ASSEMBLY-RH TUNNEL	01
2	0513363-22	01
3	0513364-2	01
- 4	0513364-1	01
5	0713102-1	02
6	0713624-2	01
7	MS21047L3	02
- 8	0513358-3	01
9	0513359-5	01
10	0513359-6	01
11	MS21073L08	02
12	0513360-1	01
13	0513360-2	01
14	0513361-3	01
15	0513376-1	01
16	MS27039-0806	02
		
17	0510128-0	02
18	0513372-1	01
- 19	0513372-2	01

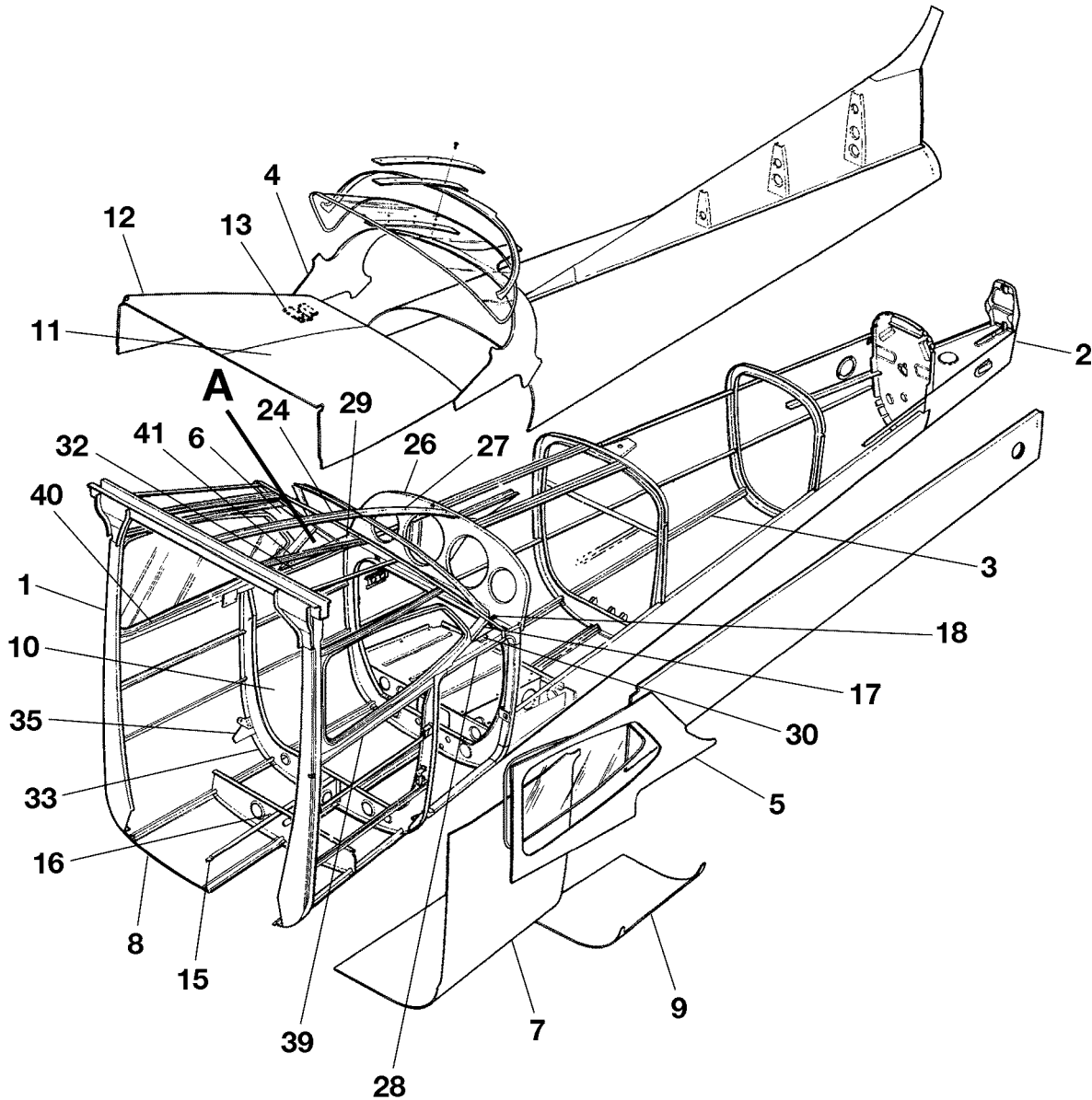
- ITEM NOT ILLUSTRATED

CESSNA AIRCRAFT COMPANY
MODEL 172 (SERIES 1996 AND ON)
 ILLUSTRATED PARTS CATALOG

B362



DETAIL A



FUSELAGE AFT SECTION ASSEMBLY
 FIGURE 01 (SHEET 1)

0512T2001
 A0512T1008

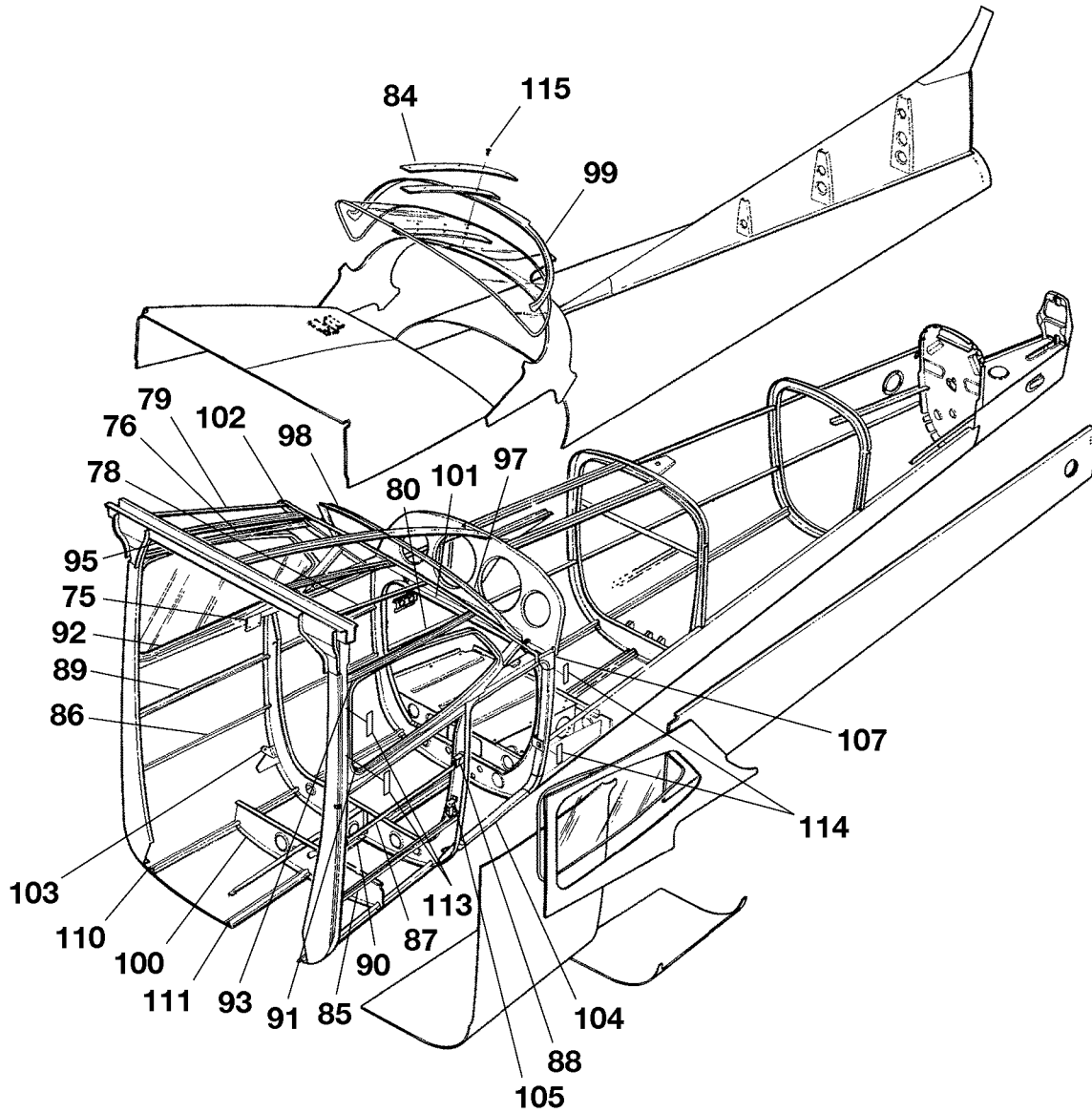
CESSNA AIRCRAFT COMPANY
MODEL 172 (SERIES 1996 AND ON)
ILLUSTRATED PARTS CATALOG

FIG ITEM	PART NUMBER	NOMENCLATURE	UNITS PER ASSY
	1 2 3 4 5 6 7		
01		FUSELAGE AFT SECTION ASSEMBLY	RF
- 1		. BULKHEAD ASSY-REAR DOORPOST REFER TO 53-11-00 FIGURE 02	RF
2		. TAILCONE ASSY-AFT REFER TO 53-21-00 FIGURE 01	RF
3		. EXTENDED BAGGAGE INSTL REFER TO 53-20-01 FIGURE 01	RF
4	0512100-49	. SKIN-REAR SADDLE	01
5	0512100-11	. SKIN-LH	01
6	0512100-12	. SKIN-RH	01
7	0512100-19	. SKIN-LH	01
8	0512100-20	. SKIN-RH	01
9	0512100-7	. SKIN-LH	01
10	0512100-8	. SKIN-RH	01
11	0512100-13	. SKIN-LH	01
12	0512100-38	. SKIN-RH	01
13	0560031-1	. BRACKET ASSY-FLAP PRESELECT	01
- 14	MS21047L3	. . NUTPLATE	01
15	0512065-3	. STIFFENER	01
16	0510212-1	. SPACER	04
17	0512021-3	. BRACE-LH	01
- 17A	0512021-5	. BRACE-LH NAV III 172	81241 & ON 01
- 17B	0512021-5	. BRACE-LH NAV III 172S	09810 & ON 01
18	2415033-3	. BRACKET-LH WINDOW MOULDING	01
- 18A	2415033-5	. BRACKET-LH WINDOW MOULDING NAV III	01
- 19	2415033-4	. BRACKET-RH WINDOW MOULDING	01
- 19A	2415033-6	. BRACKET-RH WINDOW MOULDING NAV III	01
20	0512021-4	. BRACE-RH	01
21	0512188-2	. GUSSET ASSY-RH	01
- 21A	0512021-6	. BRACE-RH NAV III 172	81241 & ON 01
- 21B	0512021-6	. BRACE-RH NAV III 172S	09810 & ON 01
- 22	0512188-1	. GUSSET ASSY-LH	01
23	MS21047L4	. . NUTPLATE	01
24	0512022-1	. STRINGER ASSY-UPPER CENTER LINE	01
- 25	0711639-1	. . ANGLE	04
26	0512022-3	. . PLATE	01
27	MS21047L3K	. . NUTPLATE	10
28	0512023-1	. CHANNEL-LH	01
29	0512023-2	. CHANNEL-RH	01
30	0512023-5	. CHANNEL ASSY-LH	01
- 31	MS21069L08K	. . NUTPLATE	01
32	0512023-4	. CHANNEL-RH	01
33	0512026-16	. BULKHEAD ASSY-FUSELAGE	80001 81622 01 R 08001 11599
- 33A	0512026-20	. BULKHEAD ASSY-FUSELAGE	81623 & ON 01 R 11600 & ON
- 34	0512198-1	. DOUBLER-LH SEAT BELT ATTACH	01
35	0512198-2	. DOUBLER-RH SEAT BELT ATTACH	01
		ATTACHING PARTS	
- 36	MS27039-0808	. SCREW	03
- 37	NAS1149FN832P	. WASHER	03
- 38	MS21044N08	. NUT	03
		—*—	
39	0512028-5	. STIFFENER-LH	01
40	0512028-6	. STIFFENER-RH	01
41	0512029-11	. STRINGER ASSY-LH AFT CABIN TOP	01
- 42	MS21047L3	. . NUTPLATE	01
- 43	1200542-7	. HANGER-LH AND RH UPHOLSTERY	02
		ATTACHING PARTS	
- 44	S1021A4-6	. SCREW	02
		—*—	

- ITEM NOT ILLUSTRATED

CESSNA AIRCRAFT COMPANY
MODEL 172 (SERIES 1996 AND ON)
ILLUSTRATED PARTS CATALOG

B363



0512T2001

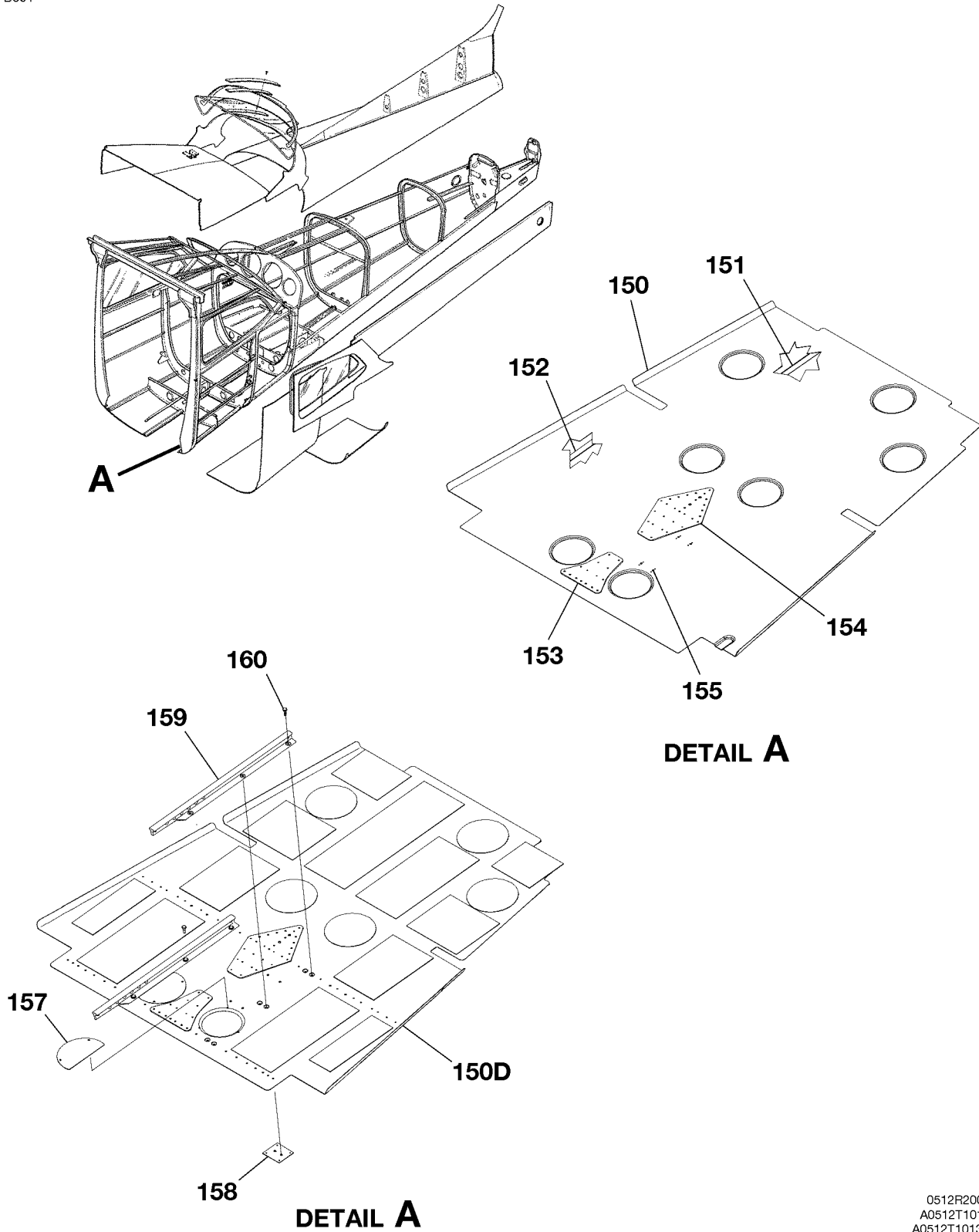
FUSELAGE AFT SECTION ASSEMBLY
FIGURE 01 (SHEET 2)

CESSNA AIRCRAFT COMPANY
MODEL 172 (SERIES 1996 AND ON)
ILLUSTRATED PARTS CATALOG

FIG ITEM	PART NUMBER	NOMENCLATURE	UNITS		PER ASSY
			1	2	
01					
75	0512190-1	. CLIP-SHOULDER HARNESS ATTACH			02
76	0512029-12	. STRINGER ASSY-RH AFT CABIN TOP			01
- 77	0560030-1	. . BRACKET-FLAP PRESELECT			01
78	0512029-3	. STRINGER-LH			01
79	0512029-4	. STRINGER-RH			01
80	0512029-17	. STRINGER ASSY-LH			01
- 80A	0512029-15	. . STRINGER			01
- 81	0511133-1	. BRACKET-UPHOLSTERY WIRE SUPPORT			01
- 82	0512029-18	. STRINGER ASSY-RH			01
- 82A	0512029-16	. STRINGER-RH			01
- 83	0511133-1	. BRACKET-UPHOLSTERY WIRE SUPPORT			01
84		. RETAINER ASSY REFER TO 56-20-00 FIGURE 01			RF
85	0512037-9	. STRINGER-LH			01
86	0512037-10	. STRINGER-RH			01
87	0512037-7	. STRINGER-LH			01
88	0512201-1	. GUSSET			01
89	0512037-4	. STRINGER-RH			01
90	0512189-1	. BULKHEAD ASSY	80001	81622	01 R
- 90A	0512189-7	. BULKHEAD ASSY	08001	11599	
			81623	& ON	01 R
			11600	& ON	
91	0512177-1	. RETAINER-LH LOWER			01
92	0512177-2	. RETAINER-RH LOWER			01
93	0512178-1	. RETAINER-LH FWD UPPER			01
- 94	0512176-1	. RETAINER-LH AFT UPPER			01
95	0512178-2	. RETAINER-RH FWD UPPER			01
- 96	0512176-2	. RETAINER-RH AFT UPPER			01
97	0512040-1	. RETAINER-LH			01
98	0512040-2	. RETAINER-RH			01
99		. RETAINER-REAR WINDOW REFER TO 56-20-00 FIGURE 01			RF
100	0512064-5	. BULKHEAD ASSY 172 FSO 0512064-7	80001	81544	01
- 100A	0512064-5	. BULKHEAD ASSY 172S FSO 0512064-7	08001	10885	01
- 100B	0512064-7	. BULKHEAD ASSY 172	81545	81622	01 R
- 100C	0512064-7	. BULKHEAD ASSY 172S	10886	11599	01 R
- 100D	0512064-9	. BULKHEAD ASSY 172	81623	& ON	01 R
- 100E	0512064-9	. BULKHEAD ASSY 172S	11600	& ON	01 R
- 100F	MS21086L3	. . NUTPLATE 172	80001	81544	04
- 100G	MS21086L3	. . NUTPLATE 172S	80001	10885	04
- 100H	MS21086L3	. . NUTPLATE 172	81545	& ON	08
- 100J	MS21086L3	. . NUTPLATE 172S	10886	& ON	08
101	0512020-3	. BULKHEAD-LH			01
- 101A	0512020-7	. BULKHEAD-LH NAV III 172	81241	& ON	01
- 101B	0512020-7	. BULKHEAD-LH NAV III 172S	09810	& ON	01
102	0512020-4	. BULKHEAD-RH			01
- 102A	0512020-8	. BULKHEAD-RH NAV III 172	81241	& ON	01
- 102B	0512020-8	. BULKHEAD-RH NAV III 172S	09810	& ON	01
103	0512100-51	. FILLER-LH AND RH			02
104	0711101-8	. JAMB-LOWER BAGGAGE DOOR			01
105	0512199-1	. BRACKET-LOWER HINGE			01
- 106	0512199-2	. BRACKET-UPPER HINGE			01
107	0711101-36	. GUSSET-UPPER BAGGAGE DOOR			01
- 108	0711101-43	. GUSSET-LOWER BAGGAGE DOOR			01
- 109	0512039-7	. STRINGER-LH			01
110	0512039-8	. STRINGER-RH			01
111	0512039-12	. STRINGER			01
- 112	0510212-1	. SPACER			02
113	0512074-1	. STRIP 172	81623	& ON	02
- 113A	0512074-1	. STRIP 172S	11326	& ON	02
114	0512074-2	. STRIP 172	81623	& ON	01
- 114A	0512074-2	. STRIP 172S	11326	& ON	01
115		. SCREW REFER TO 56-20-00 FIGURE 01			RF

CESSNA AIRCRAFT COMPANY
MODEL 172 (SERIES 1996 AND ON)
 ILLUSTRATED PARTS CATALOG

B364



DETAIL A
 FUSELAGE AFT SECTION ASSEMBLY
 FIGURE 01 (SHEET 3)

0512R2001
 A0512T1013
 A0512T1013A

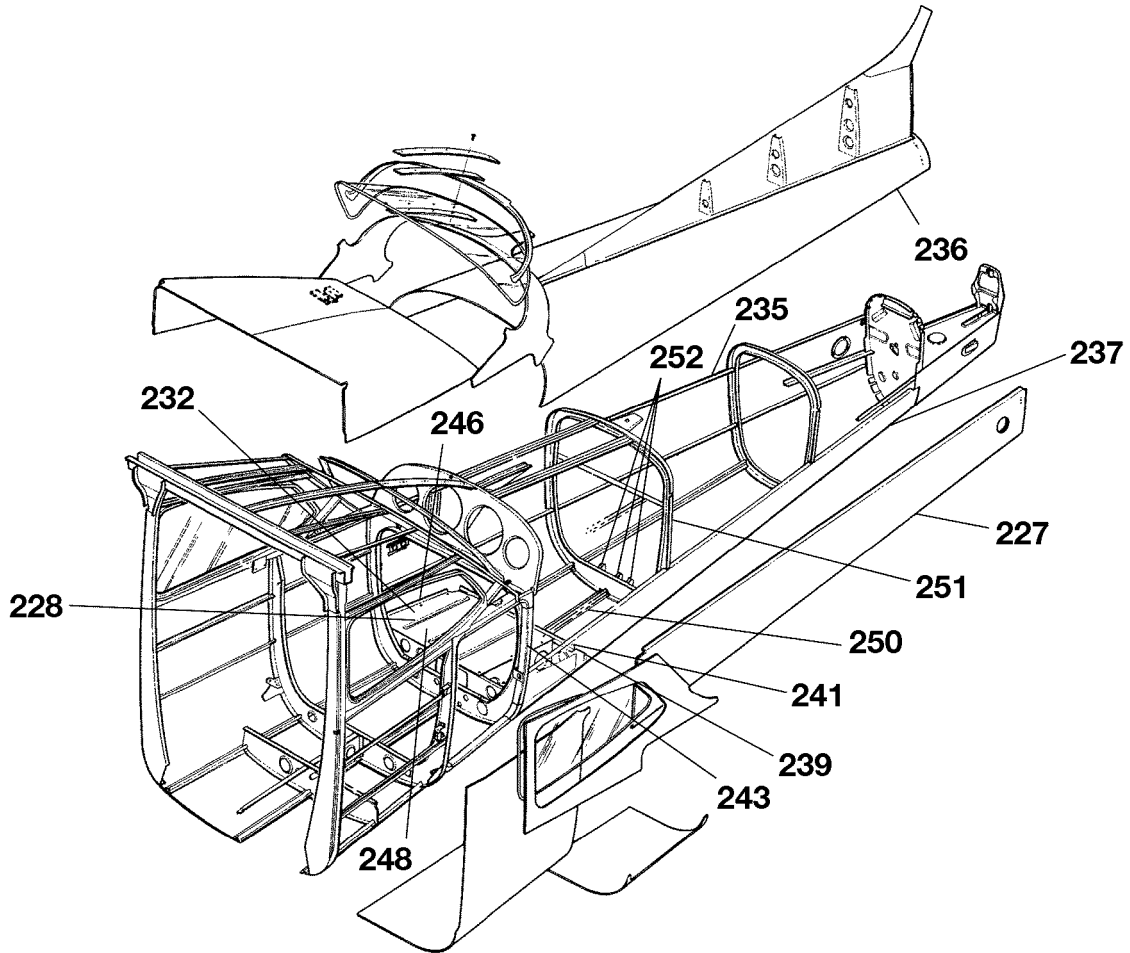
CESSNA AIRCRAFT COMPANY
MODEL 172 (SERIES 1996 AND ON)
ILLUSTRATED PARTS CATALOG

FIG ITEM	PART NUMBER	NOMENCLATURE	UNITS	
			PER	ASSY
01				
150	0512034-15	. FLOORBOARD ASSY 172	80001	81233 01
- 150A	0512034-15	. FLOORBOARD ASSY 172S	08001	09770 01
- 150B	0512034-17	. FLOORBOARD ASSY 172 FSO 0512034-19	81234	81544 NP
- 150C	0512034-17	. FLOORBOARD ASSY 172S FSO 0512034-19	09771	10885 NP
150D	0512034-19	. FLOORBOARD ASSY-OBSERVER SEAT OPTION 172	81545	& ON 01
- 150E	0512034-19	. FLOORBOARD ASSY-OBSERVER SEAT OPTION 172S	10886	& ON 01
151	0512107-13	. STIFFENER		03
152	0512107-42	. STIFFENER		04
153	0512065-1	. PLATE		01
154	0512065-2	. GUSSET		01
155	MS21047L3	. NUTPLATE 172	81234	81544 04
- 155A	MS21047L3	. NUTPLATE 172S	09771	10885 04
- 155B	MS21047L3	. NUTPLATE-OBSERVER SEAT OPTION 172	81545	& ON 08
- 155C	MS21047L3	. NUTPLATE-OBSERVER SEAT OPTION 172S	10886	& ON 08
- 156	0512034-16	. FLOORBOARD 172	80001	81233 01
- 156A	0512034-16	. FLOORBOARD 172S	8001	9770 01
- 156B	0512034-18	. FLOORBOARD 172	81234	81544 01
- 156C	0512034-18	. FLOORBOARD 172S	9771	10885 01
- 156D	0512034-20	. FLOORBOARD 172	81545	& ON 01
- 156E	0512034-20	. FLOORBOARD 172S	10886	& ON 01
157	0501178-2	. COVER PLATE-OBSERVER SEAT OPTION 172	81545	& ON 02
- 157A	0501178-2	. COVER PLATE-OBSERVER SEAT OPTION 172S	10886	& ON 02
158	0501178-4	. DOUBLER ASSY-OBSERVER SEAT OPTION 172	81545	& ON 02
- 158A	0501178-4	. DOUBLER ASSY-OBSERVER SEAT OPTION 172S	10886	& ON 02
159	1210816-8	. SEAT RAIL-OBSERVER SEAT OPTION 172	81545	& ON 02
- 159A	1210816-8	. SEAT RAIL-OBSERVER SEAT OPTION 172S	10886	& ON 02
		ATTACHING PARTS		
160	AN3-4A	. BOLT-OBSERVER SEAT OPTION 172	81545	& ON 02
- 160A	AN3-4A	. BOLT-OBSERVER SEAT OPTION 172S	10886	& ON 02
- 161	NAS1149F0332P	. WASHER-OBSERVER SEAT OPTION 172	81545	& ON 08
- 161A	NAS1149F0332P	. WASHER-OBSERVER SEAT OPTION 172S	10886	& ON 08

- ITEM NOT ILLUSTRATED

CESSNA AIRCRAFT COMPANY
MODEL 172 (SERIES 1996 AND ON)
ILLUSTRATED PARTS CATALOG

B13366



0512R2001

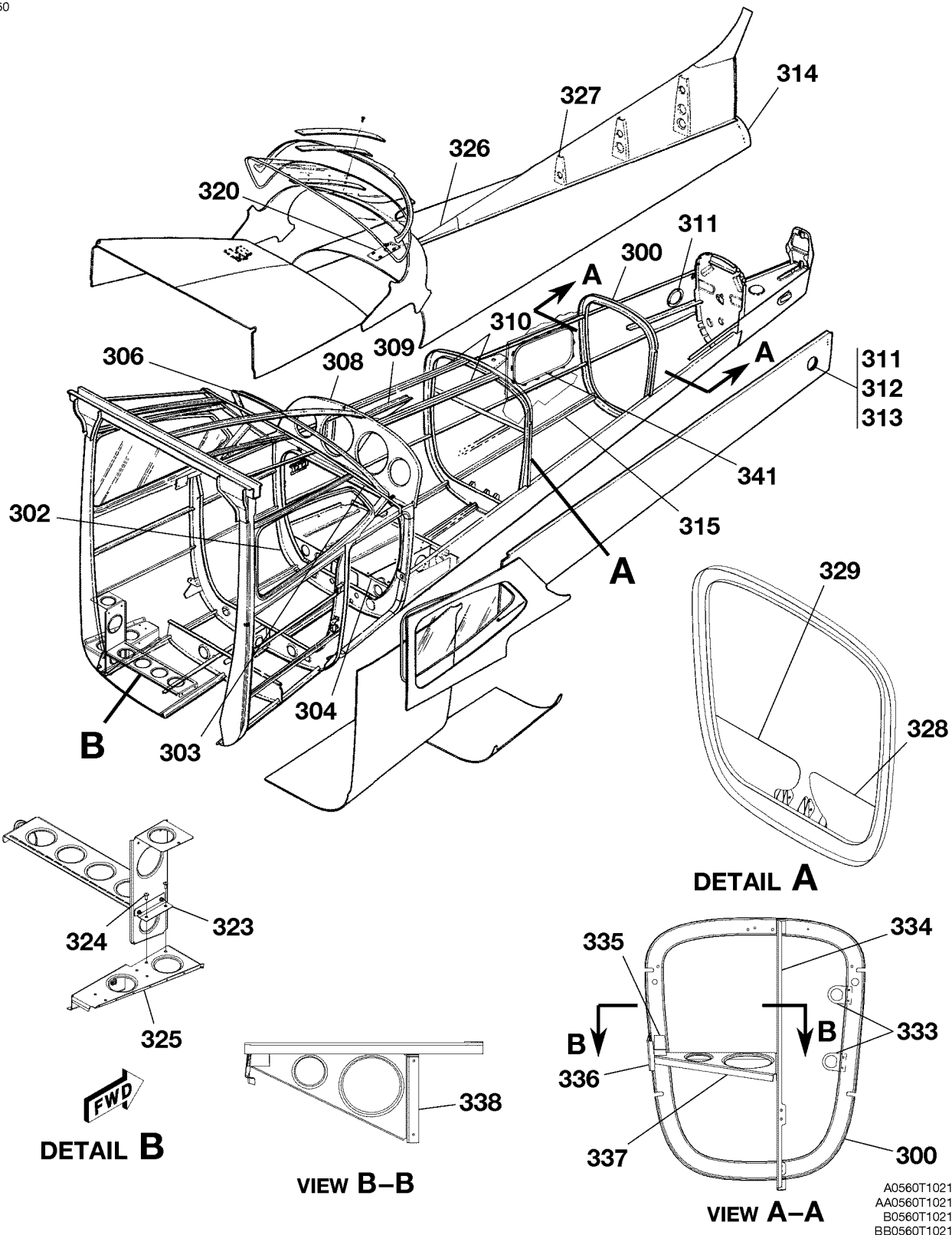
FUSELAGE AFT SECTION ASSEMBLY
FIGURE 01 (SHEET 4)

CESSNA AIRCRAFT COMPANY
MODEL 172 (SERIES 1996 AND ON)
ILLUSTRATED PARTS CATALOG

FIG ITEM	PART NUMBER	NOMENCLATURE	UNITS		
			PER ASSY	PER ASSY	PER ASSY
01					
- 225	0512010-36	TAILCONE ASSY-FWD 172	80001	81089	01
- 225A	0512010-36	TAILCONE ASSY-FWD 172S	08001	08979	01
- 225B	0512010-37	TAILCONE ASSY-FWD 172	81090	81097	01
- 225C	0512010-37	TAILCONE ASSY-FWD 172S	08980	09062	01
- 225D	0512010-38	TAILCONE ASSY-FWD 172	81098	& ON	01
- 225E	0512010-38	TAILCONE ASSY-FWD 172S	09063	& ON	01
- 226		TAILCONE ASSY-FUSELAGE REFER TO 53-21-00 FIGURE 01			RF
- 227	0512010-35	SKIN-LH			01
- 228	0511820-2	ELT SUPPORT ASSY 172	80001	81333	01
- 228A	0511820-2	ELT SUPPORT ASSY 172S	08001	10214	01
- 228B	3940444-4	ELT SUPPORT ASSY 172	81334	& ON	01
- 228C	3940444-4	ELT SUPPORT ASSY 172S	10215	& ON	01
- 229	3940404-2	ELT BRACKET ASSY-NAV III 172	81241	81333	01
- 229A	3940404-2	ELT BRACKET ASSY-NAV III 172S	09810	10214	01
- 229B	3940444-3	ELT BRACKET ASSY-NAV III 172 FSO 3940444-10	81334	81342	NP
- 229C	3940444-3	ELT BRACKET ASSY-NAV III FSO 172S 3940444-10	10215	10291	NP
- 229D	3940444-10	ELT BRACKET ASSY-NAV III 172	81343	81356	01
- 229E	3940444-10	ELT BRACKET ASSY-NAV III 172S	10292	10431	01
- 230	MS21059L06	NUTPLATE			01
- 231	AN525-10R6	SCREW			03
- 232		ELT INSTALLATION REFER TO 25-60-00 FIGURE 01			RF
- 233	3940458-3	BRACKET ASSY 172	81356	& ON	01
- 233A	3940458-3	BRACKET ASSY 172S	10124	& ON	01
- 234	3940458-5	BRACKET-BUZZER 172	81356	& ON	01
- 234A	3940458-5	BRACKET-BUZZER 172S	10124	& ON	01
- 235	0512010-4	SKIN-RH			01
- 236	0512010-19	SKIN-TOP			01
- 237	0512010-28	SKIN-BOTTOM			01
- 238	0512015-16	BULKHEAD ASSY 172	80001	81233	01
- 238A	0512015-16	BULKHEAD ASSY 172S	08001	09770	01
- 238B	0512015-23	BULKHEAD ASSY 172	81234	& ON	01
- 238C	0512015-23	BULKHEAD ASSY 172S	09771	& ON	01
- 239	0512015-17	BULKHEAD-LH			01
- 240	0512015-8	BULKHEAD-RH			01
- 241	0512015-20	ANGLE 172	80001	81233	01
- 241A	0512015-20	ANGLE 172S	08001	09770	01
- 241B	0512015-24	ANGLE 172	81234	& ON	01
- 241C	0512015-24	ANGLE 172S	09771	& ON	01
- 242	MS21047L3	NUTPLATE			04
- 243	0512015-15	BULKHEAD ASSY 172	80001	81240	01
- 243A	0512015-15	BULKHEAD ASSY 172S	08001	09809	01
- 243B	0512015-21	BULKHEAD ASSY 172 NAV III	81241	& ON	01
- 243C	0512015-21	BULKHEAD ASSY 172S NAV III	09810	& ON	01
- 244	0512015-22	BULKHEAD 172 NAV III	81241	& ON	01
- 244A	0512015-22	BULKHEAD 172S NAV III	09810	& ON	01
- 245	MS21047L3	NUTPLATE			03
- 246	0512015-4	ANGLE ASSY			01
- 247	MS21042L3	NUT			03
- 248	0512071-1	SHELF-RADIO 172	80001	81200	01
- 248A	0512071-1	SHELF-RADIO 172S	08001	09568	01
- 248B	0512071-4	SHELF-RADIO 172	81201	& ON	01
- 248C	0512071-4	SHELF-RADIO 172S	09569	& ON	01
- 249	NAS520-10R6	SCREW			14
- 250	0512060-1	STRINGER			01
- 251	0512016-14	BULKHEAD ASSY			01
- 252	0512160-3	BRACKET			03
		ATTACHING PARTS			
- 253	MS35207-262	SCREW			01
- 254	MS21044N3	NUT			01

CESSNA AIRCRAFT COMPANY
MODEL 172 (SERIES 1996 AND ON)
 ILLUSTRATED PARTS CATALOG

B4050



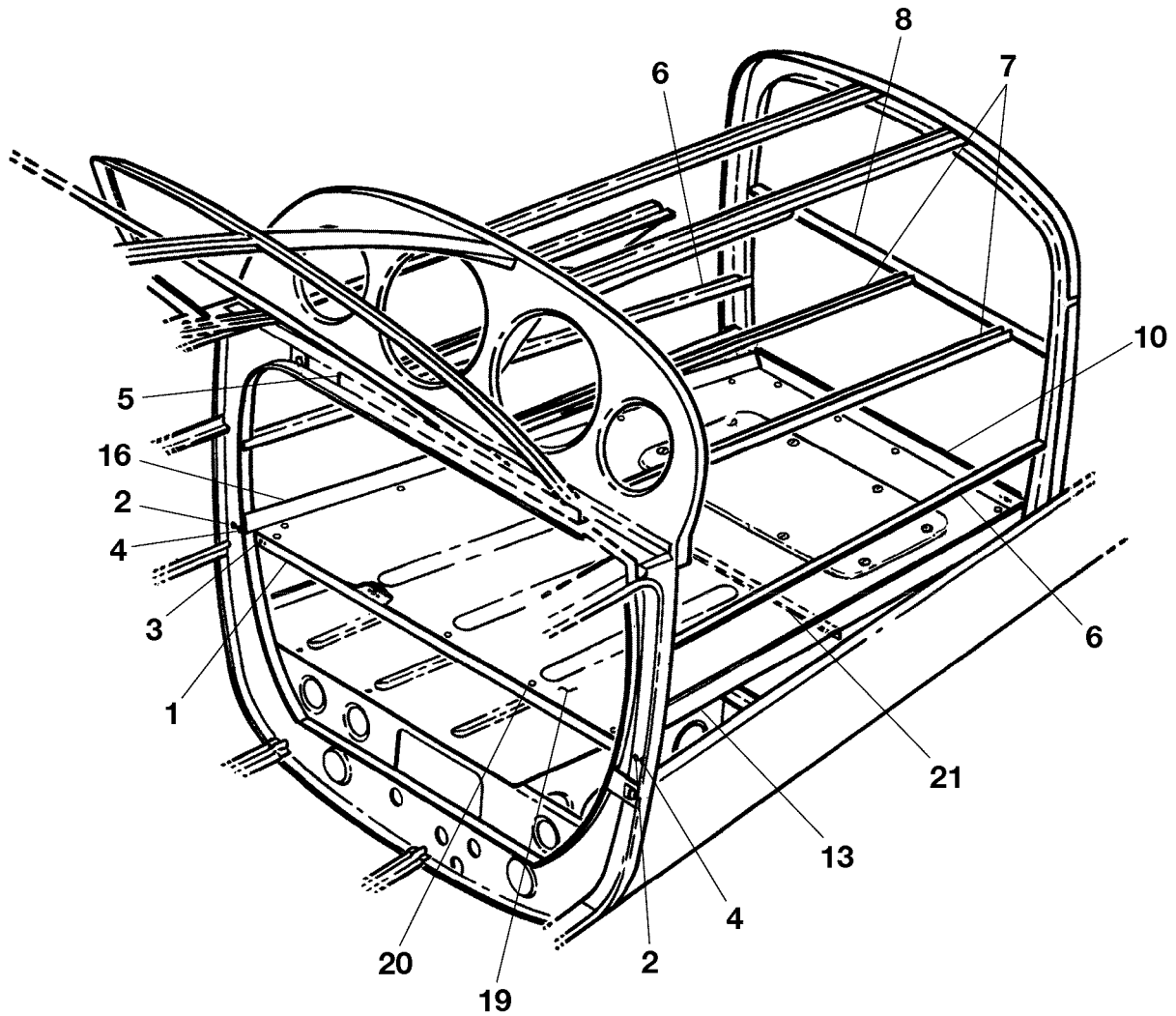
CESSNA AIRCRAFT COMPANY
MODEL 172 (SERIES 1996 AND ON)
ILLUSTRATED PARTS CATALOG

FIG ITEM	PART NUMBER	NOMENCLATURE	UNITS	
			PER	ASSY
		1 2 3 4 5 6 7		
01				
300	0512016-3	. . . BULKHEAD		01
- 301	0512012-2	. . . BULKHEAD-CANTED 172	80001 81240	01
- 301A	0512012-2	. . . BULKHEAD-CANTED 172S	08001 09809	01
- 301B	0512012-3	. . . BULKHEAD-CANTED 172	81241 & ON	01
- 301C	0512012-3	. . . BULKHEAD-CANTED 172S	09810 & ON	01
302	0512011-8	. . . BULKHEAD ASSY-CANTED		01
303	0512019-1	. . . ANGLE		01
304	0512015-19	. . . BULKHEAD ASSY		01
- 305	MS21047L3	. . . NUTPLATE		04
306	0512045-3	. . . BRACKET ASSY-BAGGAGE NET		02
- 307	MS21069L3	. . . NUTPLATE		01
308	0512237-2	. . . BRACKET-STRINGER		01
309	0512014-2	. . . BRACKET-STRINGER		01
310	0512059-1	. . . STRINGER		02
311	S237-2P	. . . DOUBLER ASSY		02
312	S225-1	. . . PLATE		01
313	S1021Z8-8	. . . SCREW		06
314	S3241-3A	. . . NUTPLATE 172	81110 81170	02
- 314A	S3241-3A	. . . NUTPLATE 172S	08990 09120	02
315	0512041-5	. . . STRINGER-LH		01
- 316	0512041-4	. . . STRINGER-RH		01
- 317	0511816-1	. . . DOUBLER ASSY-GPS ANT 172		01
- 318	0511819-2	. . . DOUBLER-ELT ANTENNA 172	80001 81097	01
- 318A	0511819-2	. . . DOUBLER-ELT ANTENNA 172S	08001 09062	01
- 318B	0511823-1	. . . DOUBLER-ELT ANTENNA 172	81098 81353	01
- 318C	0511823-1	. . . DOUBLER-ELT ANTENNA 172S	09063 10434	01
- 319	0511821-1	. . . DOUBLER-TRANSPONDER ANTENNA		01
320	0511816-4	. . . DOUBLER ASSY-GSR ANTENNA 172	81624 & ON	01
- 320A	0511816-4	. . . DOUBLER ASSY-GSR ANTENNA 172S	11323 & ON	01
- 321	MS21075L08N	. . . NUTPLATE		04
- 322	0511816-5	. . . DOUBLER-GSR ANTENNA		01
323	0512256-4	. . . IRIDIUM ANGLE 172	81624 & ON	01
- 323A	0512256-4	. . . IRIDIUM ANGLE 172S	11323 & ON	01
		. . . ATTACHING PARTS		
324	MS27039-1-07	. . . SCREW		02
		. . . *		
325	0512256-2	. . . IRIDIUM SHELF ASSY 172	81624 & ON	01
- 325A	0512256-2	. . . IRIDIUM SHELF ASSY 172S	11323 & ON	01
326	0531020-1	. . . FAIRING-DORSAL		01
327		. . . DORSAL ASSY REFER TO 53-50-00 FIGURE 01		RF
328	0512250-3	. . . CLOSEOUT ASSY-LH NAV III 172	81241 81259	01
- 328A	0512250-3	. . . CLOSEOUT ASSY-LH NAV III 172S	09810 09971	01
- 328B	0512250-7	. . . CLOSEOUT ASSY-LH NAV III 172	81260 81565	01
- 328C	0512250-7	. . . CLOSEOUT ASSY-LH NAV III 172S	09972 11045	01
- 328D	0512252-3	. . . CLOSEOUT ASSY-LH NAV III 172S	81566 & ON	01
- 328E	0512252-3	. . . CLOSEOUT ASSY-LH NAV III 172	11046 & ON	01
329	0512250-2	. . . CLOSEOUT ASSY-RH NAV III 172	81241 81259	01
- 329A	0512250-2	. . . CLOSEOUT ASSY-RH NAV III 172S	09810 09971	01
- 329B	0512250-6	. . . CLOSEOUT ASSY-RH NAV III 172	81260 81565	01
- 329C	0512250-6	. . . CLOSEOUT ASSY-RH NAV III 172S	09972 11045	01
- 329D	0512252-2	. . . CLOSEOUT ASSY-RH NAV III 172	81566 & ON	01
- 329E	0512252-2	. . . CLOSEOUT ASSY-RH NAV III 172S	11046 & ON	01
- 330	0512250-5	. . . CLOSEOUT-LH FSO 0512250-9 NAV III 172	81241 81259	NP
- 330A	0512250-5	. . . CLOSEOUT-LH FSO 0512250-9 NAV III 172S	09810 09971	NP
- 330B	0512250-9	. . . CLOSEOUT-LH NAV III 172	81260 81565	01
- 330C	0512250-9	. . . CLOSEOUT-LH NAV III 172S	09772 11045	01
- 330D	0512252-5	. . . CLOSEOUT-LH NAV III 172	81566 & ON	01
- 330E	0512252-5	. . . CLOSEOUT-LH NAV III 172S	11046 & ON	01
- 331	0512250-4	. . . CLOSEOUT-RH FSO 0512250-8 NAV III 172	81241 81259	NP
- 331A	0512250-4	. . . CLOSEOUT-RH FSO 0512250-8 NAV III 172S	09810 09971	NP
- 331B	0512250-8	. . . CLOSEOUT-RH NAV III 172	81260 81565	01
- 331C	0512250-8	. . . CLOSEOUT-RH NAV III 172S	09772 11045	01
- 331D	0512252-4	. . . CLOSEOUT-RH NAV III 172	81566 & ON	01
- 331E	0512252-4	. . . CLOSEOUT-RH NAV III 172S	11046 & ON	01
- 332	F990306	. . . FABRIC FASTENER ALT FOR F990033		AR
333	3940452-3	. . . BRACKET		01
334	3940475-3	. . . SERVO BRACKET		01
335	0501146-4	. . . CLIP		01
336	0501146-6	. . . DOOR DOUBLER		01
337	0501146-2	. . . STIFFENER		01
338	0501146-3	. . . BRACKET		01
- 339	0711860-3	. . . DOUBLER ASSY-LOWER TAS ANTENNA 172	81617 & ON	01
- 339A	0711860-3	. . . DOUBLER ASSY-LOWER TAS ANTENNA 172S	11191 & ON	01
- 340	MS21069L3	. . . NUTPLATE		04
341		. . . DOOR REFER TO 22-10-00 FIGURE 01		RF

- ITEM NOT ILLUSTRATED

CESSNA AIRCRAFT COMPANY
MODEL 172 (SERIES 1996 AND ON)
ILLUSTRATED PARTS CATALOG

B365



EXTENDED BAGGAGE AREA
FIGURE 01 (SHEET 1)

0512R1001

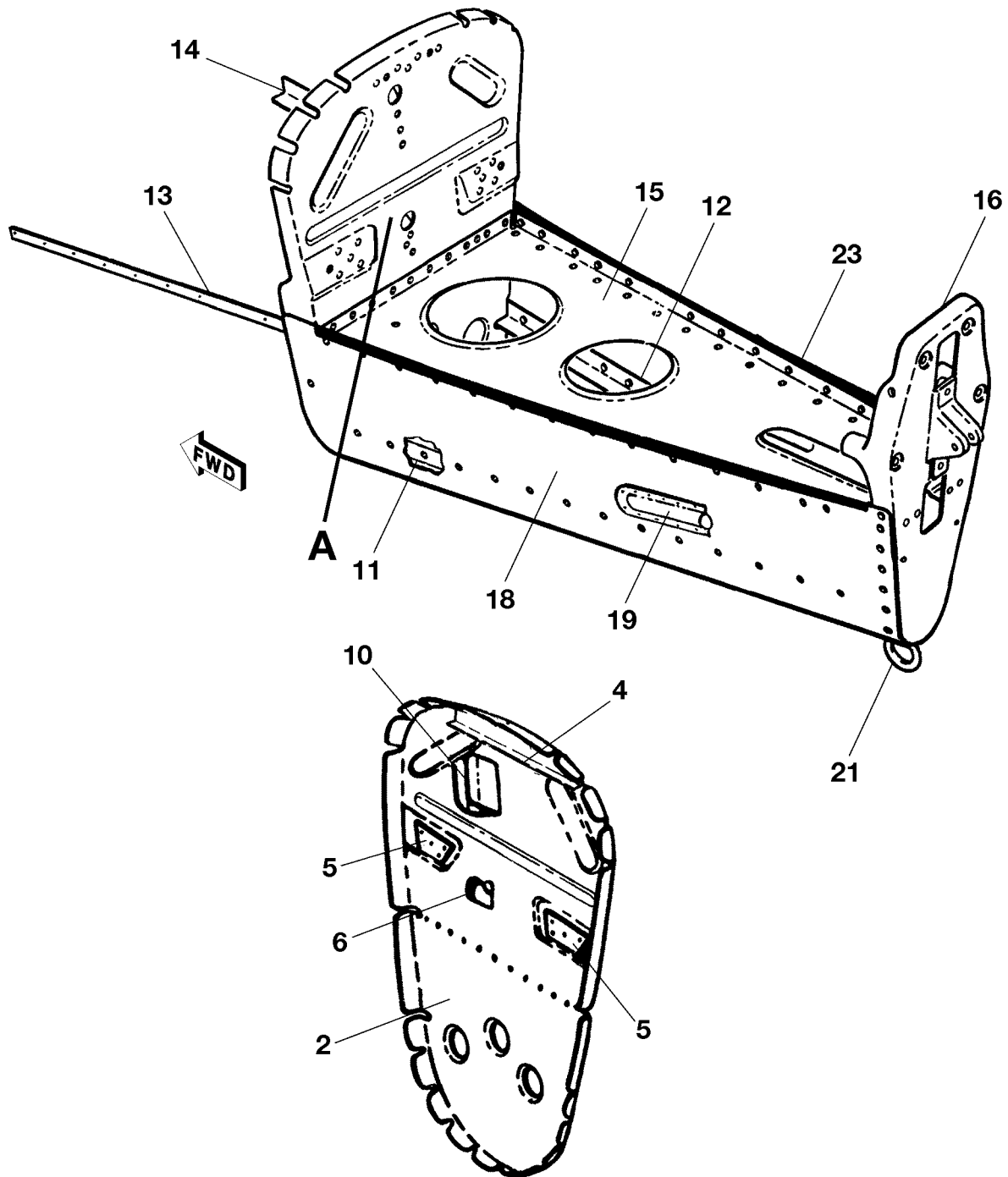
CESSNA AIRCRAFT COMPANY
MODEL 172 (SERIES 1996 AND ON)
ILLUSTRATED PARTS CATALOG

FIG ITEM	PART NUMBER	NOMENCLATURE	UNITS PER ASSY	
		1 2 3 4 5 6 7		
01		EXTENDED BAGGAGE AREA		RF
- 1	0512193-22	. SUPPORT ASSY-FWD LOWER 172	80001 81373	01
- 1A	0512193-22	. SUPPORT ASSY-FWD LOWER 172S	08001 10457	01
- 1B	0512193-1	. SUPPORT ASSY-FWD LOWER 172	81374 & ON	01
- 1C	0512193-1	. SUPPORT ASSY-FWD LOWER 172S	10458 & ON	01
		ATTACHING PARTS		
2	AN520-10R6	. SCREW		04
		—*—		
3	MS21047L3	. . NUTPLATE		02
4	MS21069L3	. . NUTPLATE		04
5	0512194-6	. SUPPORT-FWD UPPER		01
6	0512194-1	. SUPPORT-SIDEWALL UPPER		02
7	0512194-2	. SUPPORT-UPPER		03
8	0512194-4	. SUPPORT-AFT UPPER FSO 0512194-7 172	80001 81336	NP
- 8A	0512194-4	. SUPPORT-AFT UPPER FSO 0512194-7 172	08001 10253	NP
- 8B	0512194-7	. SUPPORT-AFT UPPER 172	81337 & ON	01
- 8C	0512194-7	. SUPPORT-AFT UPPER 172S	10254 & ON	01
- 9	MS21047L3	. . NUTPLATE		03
10	0512193-4	. SUPPORT-AFT LOWER 172	80001 81373	01
- 10A	0512193-4	. SUPPORT-AFT LOWER 172S	08001 10457	01
- 10B	0512193-3	. SUPPORT ASSY-AFT LOWER 172	81374 & ON	01
- 10C	0512193-3	. SUPPORT ASSY-AFT LOWER 172S	10458 & ON	01
		ATTACHING PARTS		
- 11	AN525-10R6	. SCREW		04
- 12	MS21044N3	. NUT		04
		—*—		
13	0512193-5	. SUPPORT ASSY-LH LOWER SIDE 172	81374 81616	01 R
- 13A	0512193-5	. SUPPORT ASSY-LH LOWER SIDE 172S	10458 11190	01 R
- 13B	0512193-25	. SUPPORT ASSY-LH LOWER SIDE 172	81617 & ON	01 R
- 13C	0512193-25	. SUPPORT ASSY-LH LOWER SIDE 172S	11191 & ON	01 R
- 14	MS21047L3	. . NUTPLATE		04 R
- 15	0512193-7	. . SUPPORT-LH LOWER SIDE 172	81374 81616	01 R
- 15A	0512193-7	. . SUPPORT-LH LOWER SIDE 172S	10458 11190	01 R
- 15B	0512193-27	. . SUPPORT-LH LOWER SIDE 172	81617 & ON	01 R
- 15C	0512193-27	. . SUPPORT-LH LOWER SIDE 172S	11191 & ON	01 R
16	0512193-6	. SUPPORT ASSY-RH LOWER SIDE 172	81374 81616	01 R
- 16A	0512193-6	. SUPPORT ASSY-RH LOWER SIDE 172S	10458 11190	01 R
- 16B	0512193-26	. SUPPORT ASSY-RH LOWER SIDE 172	81617 & ON	01 R
- 16C	0512193-26	. SUPPORT ASSY-RH LOWER SIDE 172S	11191 & ON	01 R
- 17	MS21047L3	. . NUTPLATE		04 R
- 18	0512193-8	. . SUPPORT-RH LOWER SIDE 172	81374 81616	01 R
- 18A	0512193-8	. . SUPPORT-RH LOWER SIDE 172S	10458 11190	01 R
- 18B	0512193-28	. . SUPPORT-RH LOWER SIDE 172	81617 & ON	01 R
- 18C	0512193-28	. . SUPPORT-RH LOWER SIDE 172S	11191 & ON	01 R
19	0512195-11	. SHELF-EXTENDED BAGGAGE 172 FSO 0512195-13	80001 80795	NP
- 19A	0512195-11	. SHELF-EXTENDED BAGGAGE 172S FSO 0512195-13	08001 08290	NP
- 19B	0512195-12	. SHELF-EXTENDED BAGGAGE 172 FSO 0512195-13	80796 81097	NP
- 19C	0512195-12	. SHELF-EXTENDED BAGGAGE 172S FSO 0512195-13	08291 09062	NP
- 19D	0512195-13	. SHELF ASSY-EXTENDED BAGGAGE 172	81098 81616	01 R
- 19E	0512195-13	. SHELF ASSY-EXTENDED BAGGAGE 172S	09063 11190	01 R
- 19F	0512195-23	. BAGGAGE SHELF-FWD 172	81617 & ON	01 R
- 19G	0512195-23	. BAGGAGE SHELF-FWD 172S	11191 & ON	01 R
- 19H	0512195-24	. BAGGAGE SHELF-AFT 172	81617 & ON	01 R
- 19J	0512195-24	. BAGGAGE SHELF-AFT 172S	11191 & ON	01 R
		ATTACHING PARTS		
20	AN525-10R8	. SCREW 172	81374 81616	20 R
- 20A	AN525-10R8	. SCREW 172S	10458 11190	20 R
- 20B	AN525-10R7	. SCREW 172	81617 & ON	26 R
- 20C	AN525-10R7	. SCREW 172S	11191 & ON	26 R
		—*—		
21	0512193-18	. SUPPORT ASSY-CENTER 172	80001 81616	01 R
- 21A	0512193-18	. SUPPORT ASSY-CENTER 172S	08001 11190	01 R
- 21B	0512193-23	. SUPPORT ASSY-CENTER 172	81617 & ON	01 R
- 21C	0512193-23	. SUPPORT ASSY-CENTER 172S	11191 & ON	01 R
- 22	MS21047L3	. . NUTPLATE		02 R
- 22B	MS21069L3	. . NUTPLATE		08 R
- 23	0512193-17	. SUPPORT 172	80001 81616	01 R
- 23A	0512193-17	. SUPPORT 172S	8001 11190	01 R
- 23B	0512193-24	. SUPPORT 172	81617 & ON	01 R
- 23C	0512193-24	. SUPPORT 172S	11191 & ON	01 R
- 24		. BAGGAGE DOOR REFER TO 52-30-00 FIGURE 01		RF R

- ITEM NOT ILLUSTRATED

CESSNA AIRCRAFT COMPANY
MODEL 172 (SERIES 1996 AND ON)
ILLUSTRATED PARTS CATALOG

B366



DETAIL A

TAILCONE ASSEMBLY - FS 205.812 TO FS 228.812
FIGURE 01 (SHEET 1)

0512T1002
A0512T1003

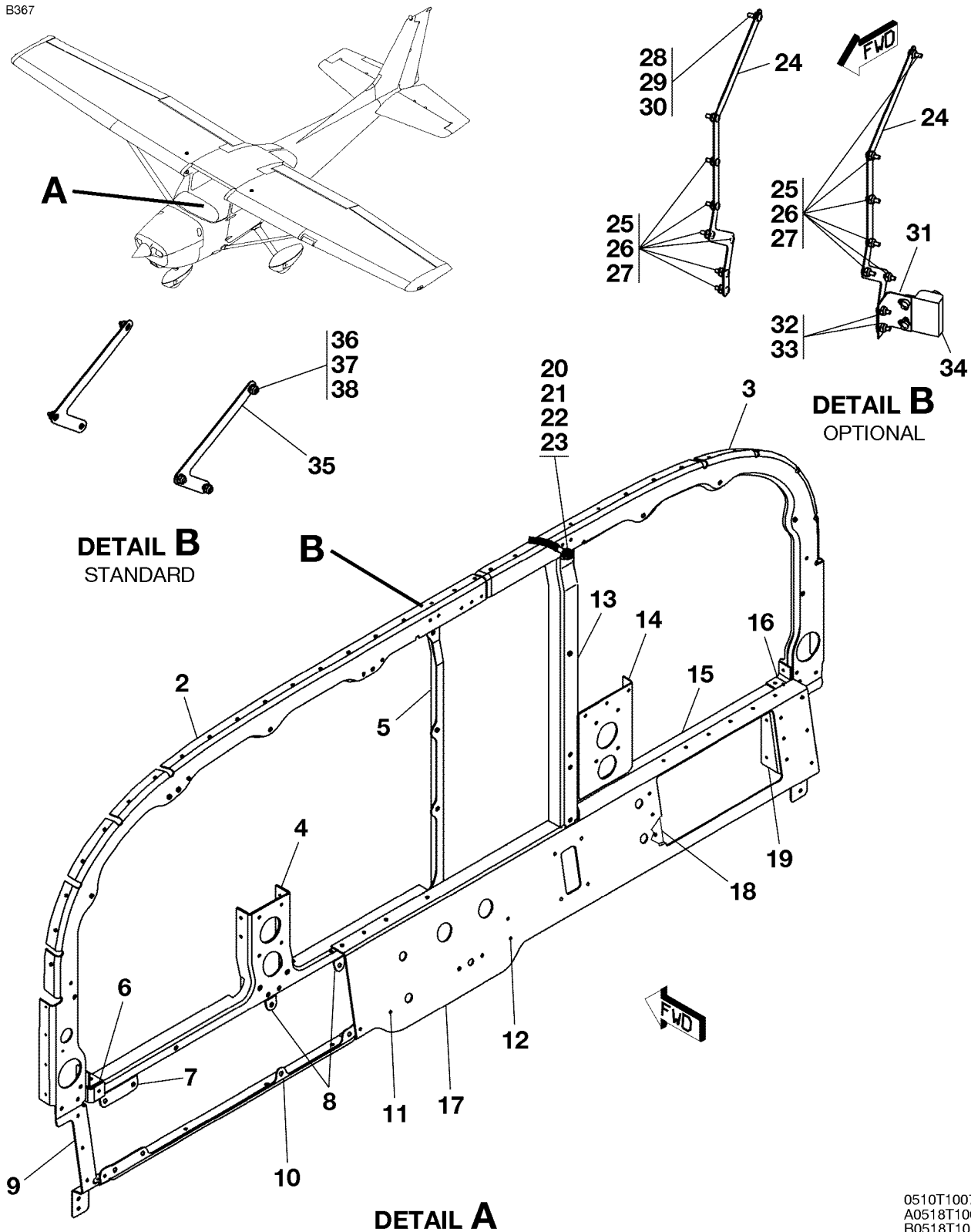
CESSNA AIRCRAFT COMPANY
MODEL 172 (SERIES 1996 AND ON)
ILLUSTRATED PARTS CATALOG

FIG ITEM	PART NUMBER	NOMENCLATURE	UNITS PER ASSY	
	1 2 3 4 5 6 7			
01		TAILCONE ASSEMBLY - FS 205.812 TO FS 228.812		RF
- 1	0512008-9	. TAILCONE ASSY-FUSELAGE 172	80001	81089 01
- 1A	0512008-9	. TAILCONE ASSY-FUSELAGE 172S	08001	08979 01
- 1B	0512008-11	. TAILCONE ASSY-FUSELAGE 172	81090	81330 01
- 1C	0512008-11	. TAILCONE ASSY-FUSELAGE 172S	08980	10193 01
- 1D	0512008-12	. TAILCONE ASSY-FUSELAGE 172 FSO 0512008-13	81331	81622 NP
- 1E	0512008-12	. TAILCONE ASSY-FUSELAGE 172S FSO 0512008-13	10194	11279 NP
			11289	11289
			11294	11294
- 1F	0512008-13	. TAILCONE ASSY-FUSELAGE 172	81623	& ON 01
- 1G	0512008-13	. TAILCONE ASSY-FUSELAGE 172S	11280	11288 01
			11290	11293
			11295	& ON
2	0512157-10	. . . BULKHEAD ASSY-AFT SECTION FS 205.812 172	80001	81330 01
- 2A	0512157-10	. . . BULKHEAD ASSY-AFT SECTION FS 205.812 172S	08001	10193 01
- 2B	0512157-14	. . . BULKHEAD ASSY-AFT SECTION FS 205.812 172 FSO 0512255-1	81331	81622 NP R
- 2C	0512157-14	. . . BULKHEAD ASSY-AFT SECTION FS 205.812 172S FSO 0512255-1	10194	11279 NP
			11289	11289
			11294	11294
- 2D	0512255-1	. . . BULKHEAD ASSY-AFT SECTION FS 205.812 172	81623	& ON 01
- 2E	0512255-1	. . . BULKHEAD ASSY-AFT SECTION FS 205.812 172S	11280	11288 01
			11290	11293
			11295	& ON
- 3	0512157-11	. . . BULKHEAD 172	80001	81130 01
- 3A	0512157-11	. . . BULKHEAD 172S	08001	10193 01
- 3B	0512157-15	. . . BULKHEAD 172 FSO 0512255-2	81131	81622 NP
- 3C	0512157-15	. . . BULKHEAD 172S FSO 0512255-2	10194	11279 NP
			11289	11289
			11294	11294
- 3D	0512255-2	. . . BULKHEAD 172	81623	& ON 01
- 3E	0512255-2	. . . BULKHEAD 172S	11280	11288 01
			11290	11293
			11295	& ON
4	0512157-3	. . . DOUBLER-BULKHEAD REINFORCEMENT 172	80001	81622 01
- 4A	0512157-3	. . . DOUBLER-BULKHEAD REINFORCEMENT 172S	08001	11279 01
			11289	11289
			11294	11294
- 4B	0512255-3	. . . DOUBLER-BULKHEAD REINFORCEMENT 172	81623	& ON 01
- 4C	0512255-3	. . . DOUBLER-BULKHEAD REINFORCEMENT 172S	11280	11288 01
			11290	11293
			11295	& ON
5	0512232-1	. . . DOUBLER-BULKHEAD REINFORCEMENT		02
6	0412467-0	. . . BRACKET-ELEVATOR TAB PULLEY		01
- 7	MS35207-263	. . . SCREW-HEAD ON FWD SIDE		01
- 8	MS21044N3	. . . NUT		01
- 9	NAS1149F0332P	. . . WASHER		01
10	0512160-5	. . . ELEVATOR BRACKET-TRIM TAB CONTROL PULLEY		01
- 10A	S3240-2A	. . . NUTPLATE 172	80001	81330 02 R
- 10B	S3240-2A	. . . NUTPLATE 172S	08001	10193 02 R
- 10C	S3430-2A	. . . NUTPLATE 172	81331	& ON 02 R
- 10D	S3430-2A	. . . NUTPLATE 172S	10194	& ON 02 R
11	0512001-7	. . . ANGLE-LH LOWER TAILCONE REINFORCEMENT		01
12	0512001-8	. . . ANGLE-RH LOWER TAILCONE REINFORCEMENT		01
13	0512001-9	. . . ANGLE-LH UPPER TAILCONE REINFORCEMENT		01
14	0512001-10	. . . ANGLE-RH UPPER TAILCONE REINFORCEMENT		01
15	0512156-1	. . . BULKHEAD-HORIZONTAL		01
16	0512159-4	. . . BULKHEAD-AFT SECTION FS 228.687 172	80001	81089 01
- 16A	0512159-4	. . . BULKHEAD-AFT SECTION FS 228.687 172S	08001	08979 01
- 16B	0512159-5	. . . BULKHEAD-AFT SECTION FS228.687 172 ALT FOR 0512159-4	81090	& ON 01
- 16C	0512159-5	. . . BULKHEAD-AFT SECTION FS228.687 172S ALT FOR 0512159-4	08980	& ON 01
- 17	0512165-1	. . . PLATE		02
18	0512008-4	. . . SKIN-AFT FUSELAGE SECTION LOWER		01
19	0530011-2	. . . FAIRING-TAILCONE		02
- 20	0512009-10	. . . RUB STRIP		02
21	0422344-0	. . . EYEBOLT-MOORING REFER TO 09-10-01 TOWING		01
		ATTACHING PARTS		
- 22	MS21047L5	. . . NUTPLATE		01
- 22A	NAS680A5	. . . NUTPLATE ALT FOR MS21047L5		01
		—*—		
23	S202RB	. . . MOULDING-BKI 22 IN LG		AR
- 24	S4213-14	. . . CLIP NUT		01
- 25		. . . FUSELAGE-AFT SECTION REFER TO 53-20-00 FIGURE 01		RF

- ITEM NOT ILLUSTRATED

CESSNA AIRCRAFT COMPANY
MODEL 172 (SERIES 1996 AND ON)
 ILLUSTRATED PARTS CATALOG

B367



INSTRUMENT PANEL STRUCTURE
 FIGURE 01 (SHEET 1)

0510T1007
 A0518T1009
 B0518T1009
 B0518T1009

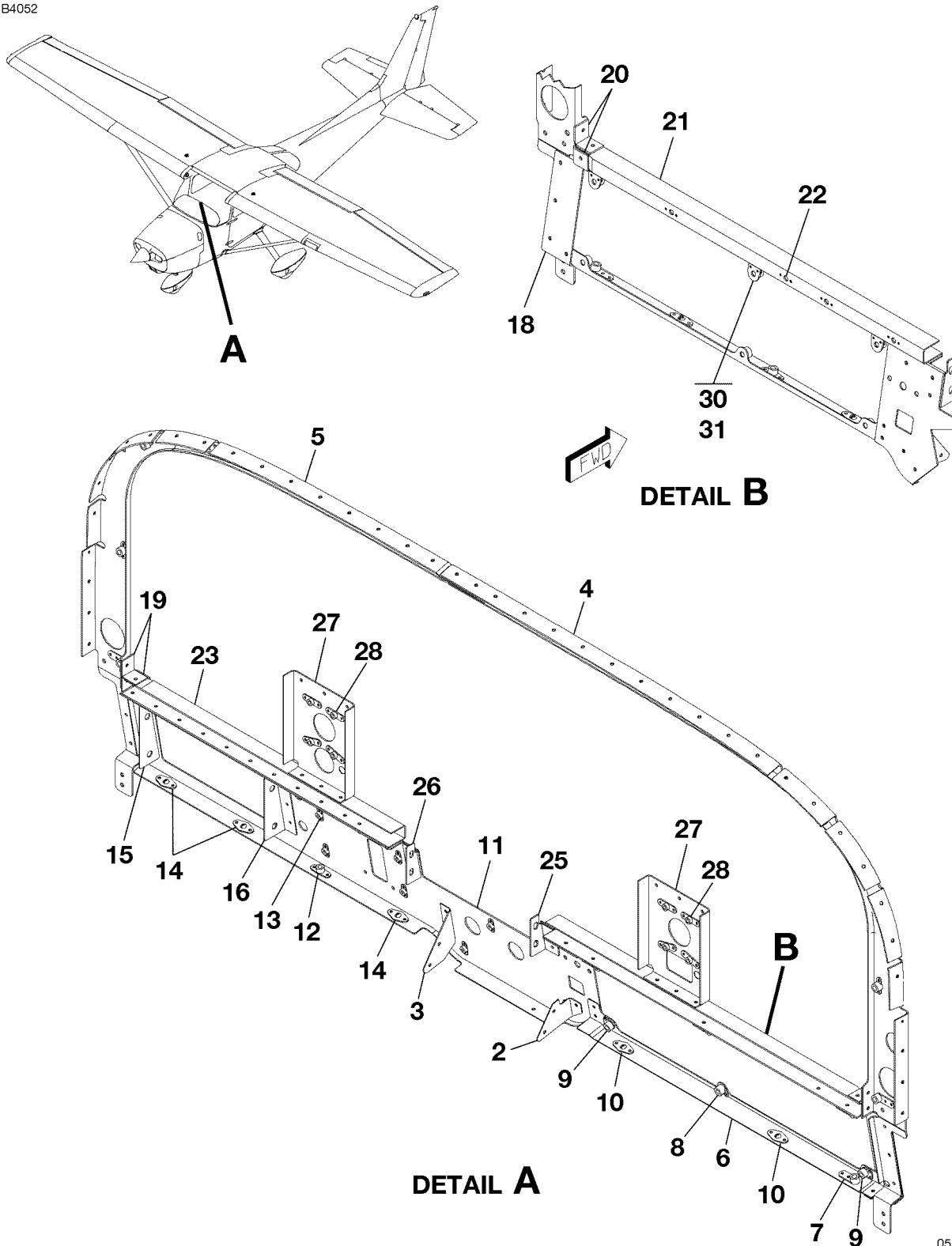
CESSNA AIRCRAFT COMPANY
MODEL 172 (SERIES 1996 AND ON)
ILLUSTRATED PARTS CATALOG

FIG ITEM	PART NUMBER	NOMENCLATURE	UNITS					
			PER	ASSY				
		1	2	3	4	5	6	7
01		INSTRUMENT PANEL STRUCTURE						RF
- 1	0513574-1	. INSTRUMENT PANEL ASSY 172	80001	80983				01
- 1A	0513574-1	. INSTRUMENT PANEL ASSY 172S	08001	08703				01
- 1B	0513574-3	. INSTRUMENT PANEL ASSY 172	80984	& ON				01
- 1C	0513574-3	. INSTRUMENT PANEL ASSY 172S	08704	& ON				01
2	0513568-1	. . BULKHEAD ASSY						01
3	0513568-2	. . BULKHEAD ASSY						01
4	0513570-1	. . SUPPORT ASSY 172	80001	80983				01
- 4A	0513570-1	. . SUPPORT ASSY 172S	08001	08702				01
- 4B	0513570-23	. . SUPPORT ASSY 172	80984	& ON				01
- 4C	0513570-23	. . SUPPORT ASSY 172S	08704	& ON				01
5	0513570-3	. . SUPPORT ASSY-RADIO STACK 172 FSO 0513570-21	80001	80983				NP R
- 5A	0513570-3	. . SUPPORT ASSY-RADIO STACK 172S FSO 0513570-21	08001	08703				NP R
- 5B	0513570-20	. . SUPPORT ASSY 172	80984	& ON				01
- 5C	0513570-20	. . SUPPORT ASSY 172S	08704	& ON				01
- 5D	0513570-21	. . . RADIO STACK SUPPORT-LH 172	80984	& ON				01 R
- 5E	0513570-21	. . . RADIO STACK SUPPORT-LH 172S	08704	& ON				01 R
6	0513570-2	. . ANGLE						01
7	0513570-4	. . CLIP ASSY						01
8	0513570-5	. . CLIP ASSY						02
- 8A	MS21073L06	. . NUTPLATE						02
9	0513569-5	. . PANEL-CONTROL						01
10	0513569-1	. . SUPPORT ASSY						01
11	0513368-10	. . ANGLE						01
12	0513368-8	. . ANGLE						01
13	0513570-13	. . SUPPORT ASSY-RADIO STACK 172	80001	80983				01
- 13A	0513570-13	. . SUPPORT ASSY-RADIO STACK 172S	08001	08703				01
- 13B	0513570-18	. . SUPPORT ASSY-RADIO STACK 172	80984	& ON				01
- 13C	0513570-18	. . SUPPORT ASSY-RADIO STACK 172S	08704	& ON				01
14	0513570-17	. . SUPPORT ASSY-COLUMN						01
15	0513570-14	. . SUPPORT ASSY-PANEL						01
16	0513570-16	. . ANGLE-PANEL SUPPORT						01
17	0513569-2	. . PANEL ASSY-STATIONARY CONTROL						01
18	0513569-9	. . . SUPPORT-MAP CASE						01
19	0513569-10	. . . SUPPORT-MAP CASE						01
20	MS25083-2BB7	. . JUMPER ASSY						01
21	MS35206-243	. . SCREW						01
22	NAS1149DN816J	. . WASHER						02
23	MS21042-08	. . NUT						01
24	1270101-5	. . SUPPORT STRAP 15 POSITION						02
25	MS24693-S26	. . SCREW						AR R
26	NAS1149CN616R	. . WASHER						AR
27	MS21044N06	. . NUT						AR
28	MS24693-S28	. . SCREW						02
29	NAS1149DN616J	. . WASHER						02
30	MS21044N06	. . NUT						02
31	1270101-1	. . SUPPORT ASSY						01
32	MS24693-S29	. . SCREW FSO MS24693-S29						NP R
- 32A	MS24693-S29	. . SCREW						02 R
33	MS21044N06	. . NUT						02
34		. . CONFIG MODULE ASSY REFER TO 22-10-00 FIGURE 01						RF
35	1270101-1	. . SUPPORT STRAP-STD 172	80984	& ON				02
- 35A	1270101-1	. . SUPPORT STRAP-STD 172S	08704	& ON				02
- 35B	1270101-2	. . SUPPORT STRAP-MDF/ W/O ADF 172	80984	& ON				02
- 35C	1270101-2	. . SUPPORT STRAP-MDF/W/O ADF 172S	08704	& ON				02
- 35D	1270101-3	. . SUPPORT STRAP-ADF NAV II, NAV I 172	80984	& ON				02
- 35E	1270101-3	. . SUPPORT STRAP-ADF NAV II, NAV I 172S	08704	& ON				02
- 35F	1270105-3	. . SUPPORT STRAP-NAV II W/O ADF 172	80984	& ON				02
- 35G	1270105-3	. . SUPPORT STRAP-NAV II W/O ADF 172S	08704	& ON				02
- 35H	1270105-6	. . SUPPORT STRAP-NAV II W/HSI/MFD/ADF172	80984	& ON				01
- 35J	1270105-6	. . SUPPORT STRAP-NAV II W/HSI/MFD/ADF172S	80984	& ON				01
- 35K	1270105-4	. . SUPPORT STRAP-NAV II W/HMA 172	80984	& ON				01
- 35L	1270105-4	. . SUPPORT STRAP-NAV II W/HMA 172S	08704	& ON				01
- 35M	1270101-8	. . SUPPORT STRAP 172	80001	80983				02
- 35N	1270101-8	. . SUPPORT STRAP 172S	08001	08703				02
36	MS24693-S26	. . SCREW						AR R
37	NAS1149CN616R	. . WASHER						AR
38	MS21044N06	. . NUT						AR

- ITEM NOT ILLUSTRATED

CESSNA AIRCRAFT COMPANY
MODEL 172 (SERIES 1996 AND ON)
 ILLUSTRATED PARTS CATALOG

B4052



INSTRUMENT PANEL STRUCTURE
 FIGURE 01A (SHEET 1)

0510T1007
 A0513T1009
 B0513T1010

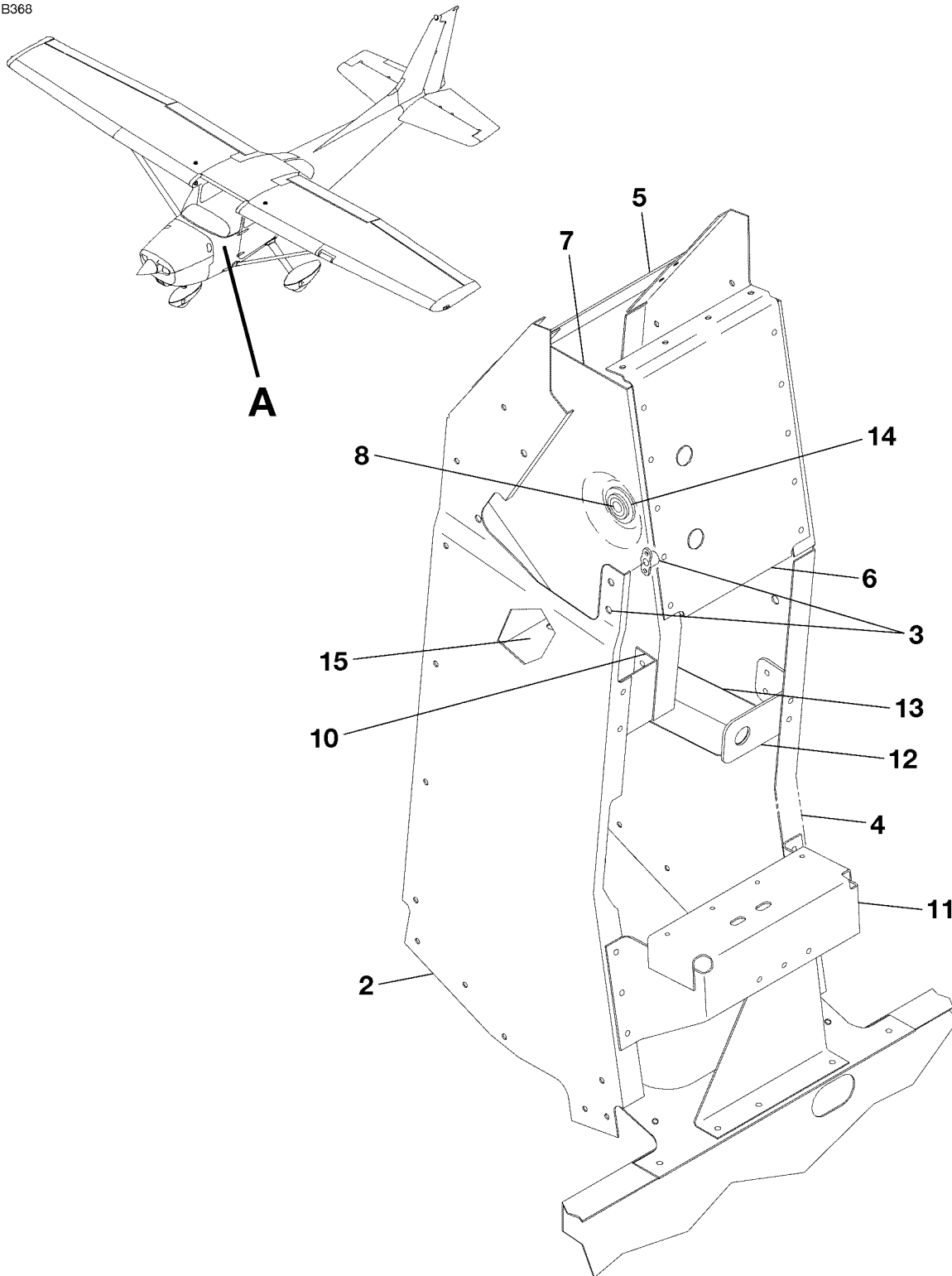
CESSNA AIRCRAFT COMPANY
MODEL 172 (SERIES 1996 AND ON)
ILLUSTRATED PARTS CATALOG

FIG ITEM	PART NUMBER	NOMENCLATURE	UNITS		
			PER	ASSY	
01A		INSTRUMENT PANEL STRUCTURE -NAV III			
-			81241	& ON	RF
			09810	& ON	
- 1	0513574-6	. INSTRUMENT PANEL STRUCTURE ASSY 172	81241	81496	01
- 1A	0513574-6	. INSTRUMENT PANEL STRUCTURE ASSY 172S	09810	10655	01
- 1B	0513574-8	. INSTRUMENT PANEL STRUCTURE ASSY 172	81497	& ON	01
- 1C	0513574-8	. INSTRUMENT PANEL STRUCTURE ASSY 172S	10656	& ON	01
2	0513368-10 ANGLE			01
3	0513368-8 ANGLE			01
4	0513568-5 BULKHEAD ASSY-LH			01
5	0513568-6 BULKHEAD ASSY-RH			01
6	0513569-21 ANGLE ASSY			01
7	MS21051-3 NUTPLATE			01
8	MS21073-3 NUTPLATE			01
9	MS21086-3 NUTPLATE			02
10	S3431-2 NUTPLATE			02
11	0513569-22 STATIONARY CONTROL PANEL-RH 172	81241	81496	01
- 11A	0513569-22 STATIONARY CONTROL PANEL-RH 172S	09810	10655	01
- 11B	0513588-1 STATIONARY CONTROL PANEL-RH 172	81497	& ON	01
- 11C	0513588-1 STATIONARY CONTROL PANEL-RH 172S	10656	& ON	01
12	MS21047L08 NUTPLATE			01
13	MS21069L04 NUTPLATE			08
14	S3431-2 NUTPLATE			03
15	0513569-10 MAP CASE SUPPORT-RH			01
16	0513569-9 MAP CASE SUPPORT-LH			01
- 17	0513569-24 STATIONARY PANEL 172	81241	81496	01
- 17A	0513569-24 STATIONARY PANEL 172S	09810	10655	01
- 17B	0513588-2 STATIONARY PANEL 172	81497	& ON	01
- 17C	0513588-2 STATIONARY PANEL 172S	10656	& ON	01
18	0513569-25 PANEL-LH			01
19	0513570-16 ANGLE-PANEL SUPPORT-RH			02
20	0513570-2 ANGLE-PANEL SUPPORT-LH			02
21	0513570-25 PANEL SUPPT ASSY-LH 172	81241	81496	01
- 21A	0513570-25 PANEL SUPPT ASSY-LH 172S	09810	10655	01
22	MS21047L3 NUTPLATE			04
23	0513570-26 PANEL SUPPORT ASSY-RH 172	81241	81496	01
- 23A	0513570-26 PANEL SUPPORT ASSY-RH 172S	09810	10655	01
- 24	MS21047L3 NUTPLATE			03
25	0513570-29 RADIO STACK SUPPORT-LH 172	81241	81496	01
- 25A	0513570-29 RADIO STACK SUPPORT-LH 172S	09810	10655	01
26	0513570-30 RADIO STACK SUPPORT-RH 172	81241	81496	01
- 26A	0513570-30 RADIO STACK SUPPORT-RH 172S	09810	10655	01
27	0513570-31 COLUMN SUPPORT ASSY-RH & LH 172	81241	81333	02
- 27A	0513570-31 COLUMN SUPPORT ASSY-RH & LH 172S	09810	10214	02
- 27B	0513570-31 COLUMN SUPPORT ASSY-RH 172	81334	& ON	01
- 27C	0513570-31 COLUMN SUPPORT ASSY-RH 172S	10215	& ON	01
- 27D	0513570-33 COLUMN SUPPORT ASSY-LH 172	81334	81496	01 R
- 27E	0513570-33 COLUMN SUPPORT ASSY-LH 172S	10215	10655	01
- 27F	0513570-35 COLUMN SUPPORT ASSY-LH 172S	10215	& ON	01
28	MS21047-06 NUTPLATE	81241	81496	04 R
- 28A	MS21047-06 NUTPLATE	09810	10655	04 R
- 28B	MS21047-06 NUTPLATE	81497	& ON	07 R
- 28C	MS21047-06 NUTPLATE	10656	& ON	07 R
- 29	0513570-32 COLUMN SUPPORT-RH & LH 172	81241	81333	01
- 29A	0513570-32 COLUMN SUPPORT-RH & LH 172S	09810	10214	01
- 29B	0513570-32 COLUMN SUPPORT-RH 172	81334	& ON	01
- 29C	0513570-32 COLUMN SUPPORT-RH 172S	10215	& ON	01
- 29D	0513570-34 COLUMN SUPPORT-LH 172	81334	& ON	01 R
- 29E	0513570-34 COLUMN SUPPORT-LH172S	10215	& ON	01 R
- 29F	0513570-36 COLUMN SUPPORT-LH172	81497	& ON	01 R
- 29G	0513570-36 COLUMN SUPPORT-LH172S	10656	& ON	01 R
30	0513570-5 CLIP ASSY			03
31	MS21073-3 NUTPLATE			01

- ITEM NOT ILLUSTRATED

CESSNA AIRCRAFT COMPANY
MODEL 172 (SERIES 1996 AND ON)
ILLUSTRATED PARTS CATALOG

B368



DETAIL A

CONSOLE STRUCTURE ASSEMBLY
FIGURE 02 (SHEET 1)

0510T1007
A0511T1003

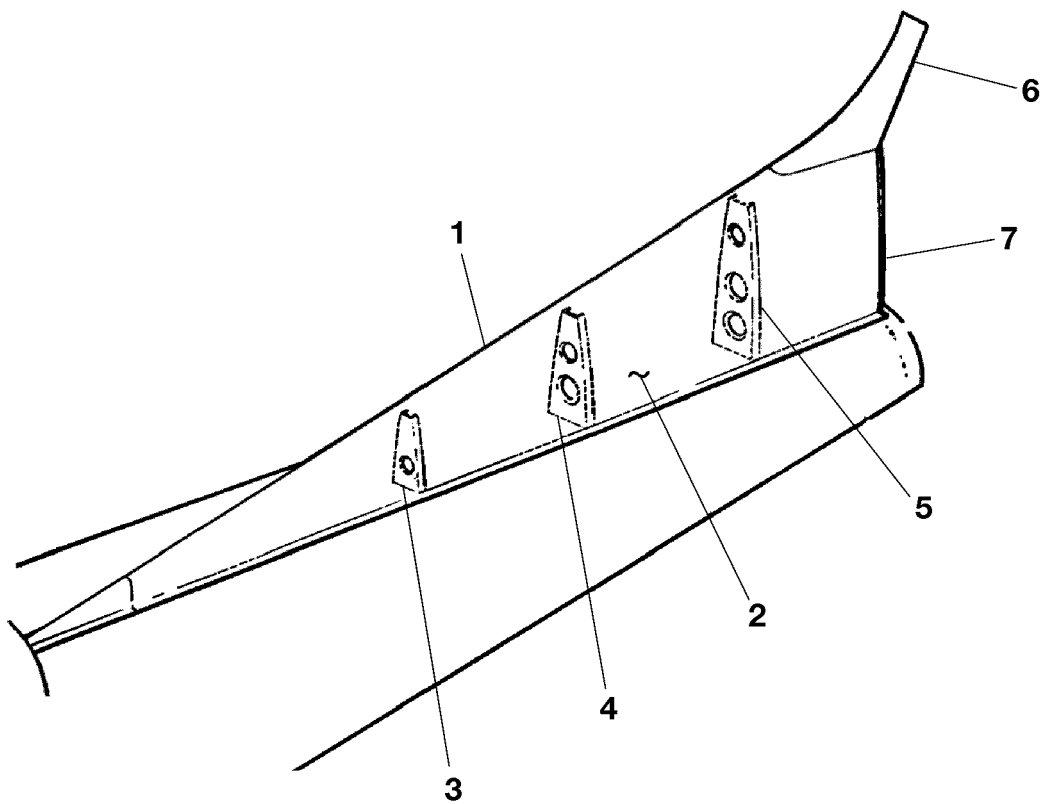
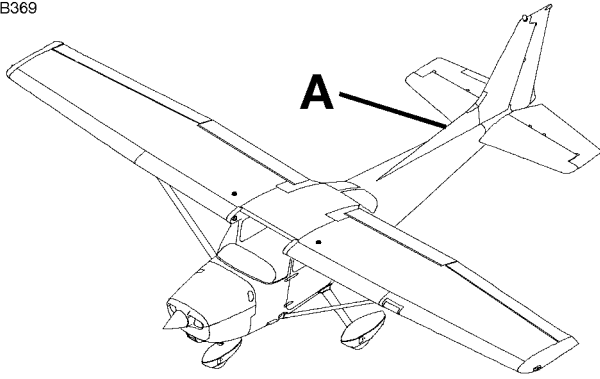
CESSNA AIRCRAFT COMPANY
MODEL 172 (SERIES 1996 AND ON)
 ILLUSTRATED PARTS CATALOG

FIG ITEM	PART NUMBER	NOMENCLATURE	UNITS PER ASSY		
			1	2	3
02		CONSOLE STRUCTURE ASSEMBLY			RF
- 1	0513368-26	. STRUCTURE ASSY-CONSOLE 172	80001	80003	01 R
- 1A	0513368-33	. STRUCTURE ASSY-CONSOLE 172 FSO 0513368-34	80004	81496	NP R
- 1B	0513368-33	. STRUCTURE ASSY-CONSOLE 172S FSO 0513368-34	80004	10655	NP R
- 1C	0513368-34	. STRUCTURE ASSY-CONSOLE 172	81497	& ON	01 R
- 1D	0513368-34	. STRUCTURE ASSY-CONSOLE 172S	10656	& ON	01 R
2	0513368-23	. . . SIDE PANEL ASSEMBLY-LH			01
3	MS21069L08	. . . NUTPLATE			04
4	0513368-22	. . . SIDE PANEL-RH			01
5	0513365-1	. . . SUPPORT-FWD			01
6	0513467-1	. . . SUPPORT-AFT			01
7	0513366-5	. . . SUPPORT ASSY-ELEVATOR TRIM			01
8	S1997C4G5	. . . BEARING			01
- 9	0411420-0	. . . HOUSING			01
10	0713641-3	. . . CLIP			01
11	2413134-11	. . . BRACKET ASSY			01
12	0513368-30	. . . SUPPORT			01
13	0513368-32	. . . SUPPORT			07
14		. . . RETAINER ASSY-ELEVATOR TRIM REFER TO 27-30-01 FIGURE 01			RF
15	MS21047-3	. . . NUTPLATE			01
- 16		. . . CONSOLE LIGHTING REFER TO 33-10-01 FIGURE 01			RF
- 17		. . . ELEVATOR TRIM REFER TO 27-30-01 FIGURE 01			RF
- 18		. . . UPHOLSTERY REFER TO 25-23-00 FIGURE 01			RF
- 19	3923103-1	. . . CABLE ASSY REFER TO WIRING DIAGRAM MANUAL			01

- ITEM NOT ILLUSTRATED

CESSNA AIRCRAFT COMPANY
MODEL 172 (SERIES 1996 AND ON)
ILLUSTRATED PARTS CATALOG

B369



DETAIL A

DORSAL FIN ASSEMBLY
FIGURE 01 (SHEET 1)

0510T1007
A0512T2001

CESSNA AIRCRAFT COMPANY
MODEL 172 (SERIES 1996 AND ON)
 ILLUSTRATED PARTS CATALOG

FIG ITEM	PART NUMBER	1 2 3 4 5 6 7	NOMENCLATURE	UNITS PER ASSY
01			DORSAL FIN ASSEMBLY	
-				RF
1	0531019-8		. DORSAL FIN ASSY	01 R
2	0531019-9		. . SKIN	01
3	0531019-5		. . RIB-FWD	01
4	0531019-4		. . RIB-CENTER	01
5	0531019-3		. . RIB-AFT	01
6	0531012-2		. . FAIRING	01
7	S1611-1		. . SEAL-VINYL 14 IN LG	02
- 8			. FUSELAGE AFT SECTION REFER TO 53-20-00 FIGURE 01	RF

- ITEM NOT ILLUSTRATED

CHAPTER

55

STABILIZERS

CESSNA AIRCRAFT COMPANY
MODEL 172 (SERIES 1996 AND ON)
ILLUSTRATED PARTS CATALOG

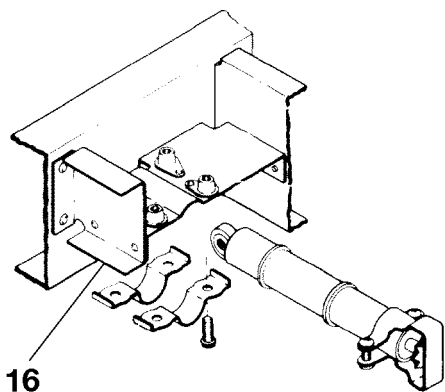
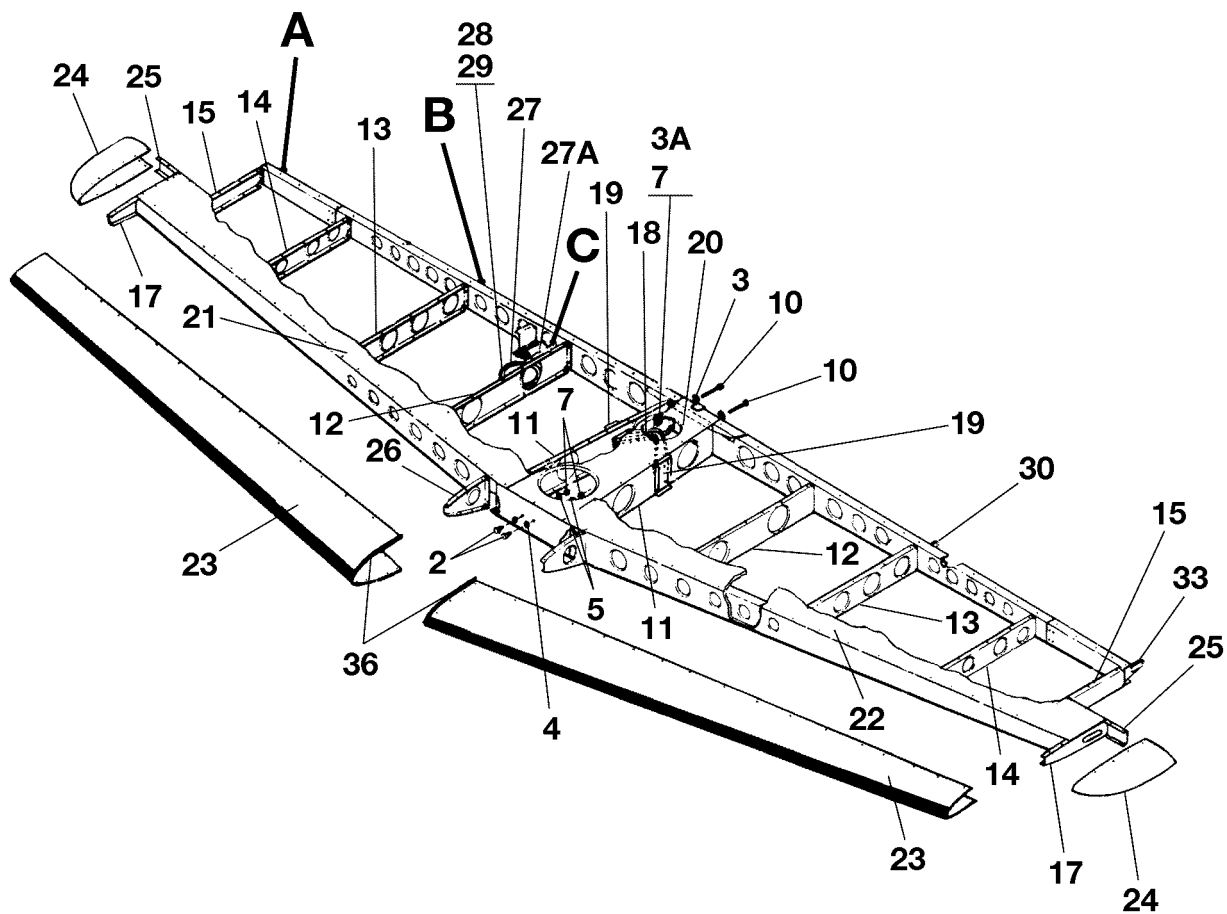
CHAPTER SECTION SUBJECT		NUMBER OF PAGES	DATE
55 - TITLE			
55 - LIST OF EFFECTIVE PAGES			
55 - RECORD OF TEMPORARY REVISIONS			
55 - TABLE OF CONTENTS			
55-10-00	Figure 01	4	Jul 1/2015
55-20-00	Figure 01	4	Jul 1/2015
55-30-00	Figure 01	2	Jul 1/2010
55-40-00	Figure 01	2	Jul 1/2014

CESSNA AIRCRAFT COMPANY
MODEL 172 (SERIES 1996 AND ON)
ILLUSTRATED PARTS CATALOG

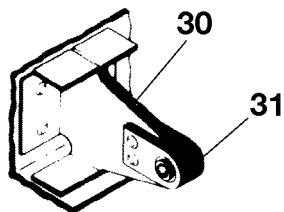
<u>SUBJECT</u>	CHAPTER	<u>FIGURE</u>	EFFECTIVITY	
	<u>SECTION</u>		<u>START</u>	<u>END</u>
	<u>SUBJECT</u>			
STABILIZER INSTALLATION	55-10-00	01		
ELEVATOR INSTALLATION	55-20-00	01		
FIN INSTALLATION	55-30-00	01		
RUDDER ASSEMBLY	55-40-00	01		

CESSNA AIRCRAFT COMPANY
MODEL 172 (SERIES 1996 AND ON)
 ILLUSTRATED PARTS CATALOG

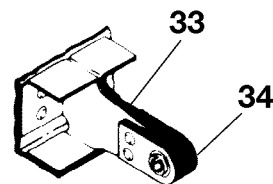
B370



DETAIL C



DETAIL B



DETAIL A

STABILIZER INSTALLATION
 FIGURE 01 (SHEET 1)

0532R1001

CESSNA AIRCRAFT COMPANY
MODEL 172 (SERIES 1996 AND ON)
ILLUSTRATED PARTS CATALOG

FIG ITEM	PART NUMBER	NOMENCLATURE	UNITS PER ASSY	
		1 2 3 4 5 6 7		
01		STABILIZER INSTALLATION		RF
- 1	2432000-4	. STABILIZER ASSY 172	80001 81089	01
- 1A	2432000-4	. STABILIZER ASSY 172S	08001 08979	01
- 1B	2432000-16	. STABILIZER ASSY 172	81090 81562	01
- 1C	2432000-16	. STABILIZER ASSY 172S	08980 10995	01
- 1D	2432000-17	. STABILIZER ASSY 172 FSO 2432000-23	81563 81567	NP R
- 1E	2432000-17	. STABILIZER ASSY 172S FSO 2432000-23	10996 11055	NP R
- 1F	2432000-18	. STABILIZER ASSY-172 FSO 2432000-23	81568 81622	NP R
- 1G	2432000-18	. STABILIZER ASSY-172S FSO 2432000-23	11056 11531	NP R
- 1H	2432000-23	. STABILIZER ASSY-172	81623 & ON	01 R
- 1J	2432000-23	. STABILIZER ASSY-172S	11532 & ON	01 R
2	AN5-6A	. BOLT		02
3	NAS1149F0563P	. WASHER UNDER HEAD OF BOLT USE WITH AN5-23A BOLT		02
3A	NAS1149F0563P	. WASHER UNDER NUT USE WITH AN5-23A BOLT		02
4	NAS1149F0532P	. WASHER UNDER HEAD OF BOLT		02
5	NAS1149F0532P	. WASHER UNDER NUT		04
- 6	S1450-5A20-100	. WASHER BETWEEN STABILIZER AND FITTING		AR
7	MS21042L5	. NUT		04
- 8	S1450-5A20-080	. WASHER BETWEEN STABILIZER AND FITTING		AR
- 9	S1450-5A20-063	. WASHER BETWEEN STABILIZER AND FITTING		AR
- 9A	S1450-5A20-016	. WASHER BETWEEN STABILIZER AND FITTING		AR
- 9B	S1450-5A20-025	. WASHER BETWEEN STABILIZER AND FITTING		AR
- 9C	S1450-5A20-032	. WASHER BETWEEN STABILIZER AND FITTING		AR
- 9D	S1450-5A20-040	. WASHER BETWEEN STABILIZER AND FITTING		AR
10	AN5-23A	. BOLT		02
11	0532001-99	. RIB-STABILIZER		02
12	0532001-13	. RIB-STABILIZER		02
13	0532001-14	. RIB-STABILIZER		02
14	0532001-15	. RIB-STABILIZER		02
15	0532001-16	. RIB-STABILIZER		02
16	0532001-17	. STUB RIB-STABILIZER		01
17	0532001-77	. RIB-STABILIZER OUTBOARD		02
18	0532001-21	. BRACKET-PULLEY		02
19	0532001-22	. STIFFENER-STABILIZER		02
20	0532001-23	. SKIN-STABILIZER CENTER		01
21	2432000-6	. SKIN-STABILIZER RH		01
22	2432000-5	. SKIN-STABILIZER-LH		01
23	0532001-76	. SKIN-LEADING EDGE		02
24	0532001-93	. TIP-STABILIZER 172 FSO 9910100-1	80001 81567	NP R
- 24A	9910100-1	. TIP-STABILIZER 172	81568 & ON	02 R
- 24B	0532001-93	. TIP-STABILIZER 172S FSO 9910100-1	08001 11055	NP R
- 24C	9910100-1	. TIP-STABILIZER 172S	11056 & ON	02 R
25	0532001-78	. TIP RIB-STABILIZER		02
26	0532001-50	. RIB-STABILIZER NOSE		02
27	0432155-0	. RETAINER-ACTUATOR COVER PLATE		01
27A	0432123-0	. PLATE-STABILIZER		01
		ATTACHING PARTS		
28	S1021Z8-8	. SCREW		04
29	S4213-14	. CLIP NUT		04
		—*—		
30	0532105-6	. HINGE ASSY-STABILIZER 172	08001 81562	02
- 30A	0532105-6	. HINGE ASSY-STABILIZER 172S	08001 10995	02
- 30B	0532110-1	. HINGE ASSY-STABILIZER 172	81563 & ON	02
- 30C	0532110-1	. HINGE ASSY-STABILIZER 172S	10996 & ON	02
31	0532104-0	. BUSHING-STABILIZER		01
- 32	S1003-29A	. BEARING-STABILIZER		01
33	0532105-9	. HINGE ASSY-STABILIZER 172	08001 81562	02
- 33A	0532105-9	. HINGE ASSY-STABILIZER 172S	08001 10995	02
- 33B	0532110-2	. HINGE ASSY-STABILIZER 172	81563 & ON	02
- 33C	0532110-2	. HINGE ASSY-STABILIZER 172S	10996 & ON	02
34	0532104-0	. BUSHING-STABILIZER		01
- 35	S1003-29A	. BEARING-STABILIZER		01
36	S1415-1	. MOULDING-STABILIZER 172	80001 81109	02
- 36A	S1415-1	. MOULDING-STABILIZER 172S	08001 08989	02
		ATTACHING PARTS		
- 37	S1021A4-6	. SCREW 172	80001 81104	02
- 37A	S1021A4-6	. SCREW 172S	08001 09042	02
- 38	NAS1149DN416H	. WASHER 172	80001 81104	02
- 38A	NAS1149DN416H	. WASHER 172S	08001 09042	02
		—*—		
- 39	1232040-5	. ABRASION BOOT REFER TO NOTE 1		02
- 39A	0532042-3	. ABRASION BOOT-LH REFER TO NOTE 2		01
- 39B	0532042-4	. ABRASION BOOT-RH REFER TO NOTE 2		01

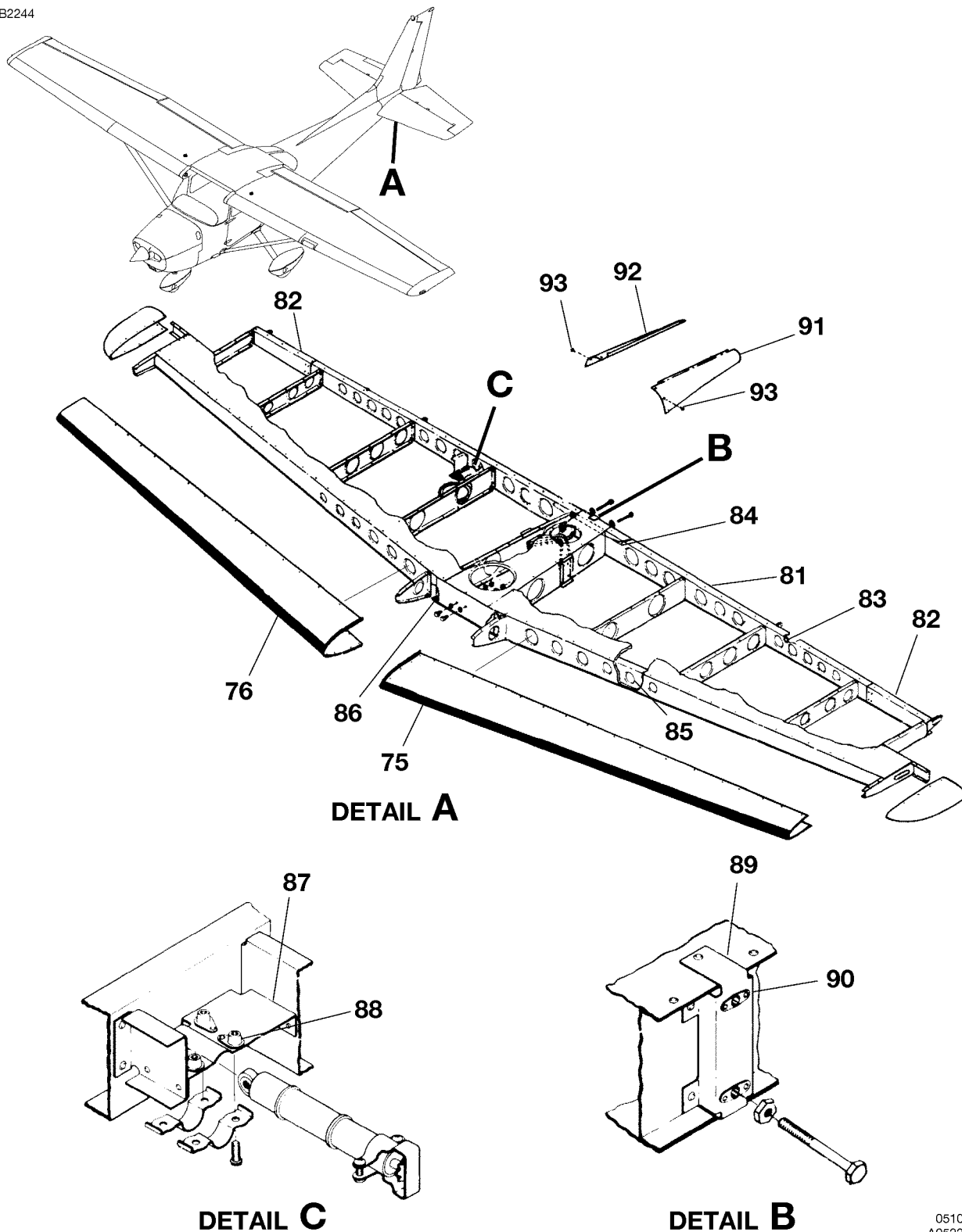
NOTE 1—AIRPLANES 17280001 AND ON, AND AIRPLANES 172S08001 AND ON NOT INCORPORATING MK172-55-01A.

NOTE 2—AIRPLANES 17280001 AND ON, AND AIRPLANES 172S08001 AND ON INCORPORATING MK172-55-01A.

- ITEM NOT ILLUSTRATED

CESSNA AIRCRAFT COMPANY
MODEL 172 (SERIES 1996 AND ON)
 ILLUSTRATED PARTS CATALOG

B2244



DETAIL A

DETAIL C

DETAIL B

0510T1007
 A0532T1001
 B0563T1011
 C0532T1002

STABILIZER INSTALLATION
 FIGURE 01 (SHEET 2)

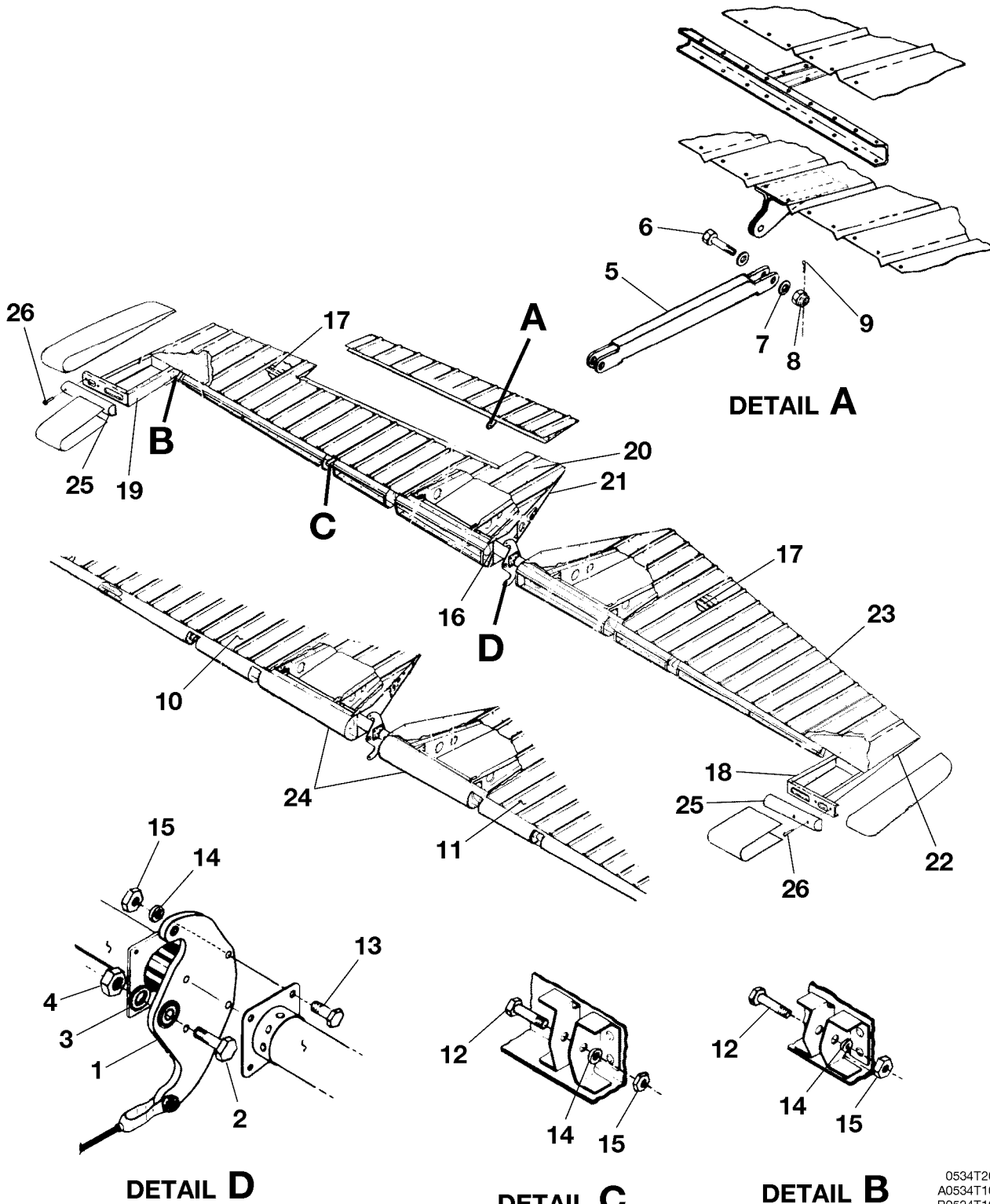
CESSNA AIRCRAFT COMPANY
MODEL 172 (SERIES 1996 AND ON)
ILLUSTRATED PARTS CATALOG

FIG ITEM	PART NUMBER	NOMENCLATURE	UNITS	
			PER	ASSY
01				
75	0532109-1	. . FAIRING LEADING EDGE-LH 172	81090	81165 01
- 75A	0532109-1	. . FAIRING LEADING EDGE-LH 172S	08980	09384 01
- 75B	1212013-3	. . FAIRING LEADING EDGE-LH FSO 0532109-3 172	81166	81243 NP
- 75C	1212013-3	. . FAIRING LEADING EDGE-LH FSO 0532109-3 172S	09385	09830 NP
- 75D	0532109-3	. . FAIRING LEADING EDGE-LH 172	81244	& ON 01
- 75E	0532109-3	. . FAIRING LEADING EDGE-LH 172S	09831	& ON 01
76	0532109-2	. . FAIRING LEADING EDGE-RH 172	81090	81165 01
- 76A	0532109-2	. . FAIRING LEADING EDGE-RH 172S	08980	09384 01
- 76B	1212013-4	. . FAIRING LEADING EDGE-RH FSO 0532109-4 172	81166	81243 NP
- 76C	1212013-4	. . FAIRING LEADING EDGE-RH FSO 0532109-4 172S	09385	09830 NP
- 76D	0532109-4	. . FAIRING LEADING EDGE-RH 172	81244	& ON 01
- 76E	0532109-4	. . FAIRING LEADING EDGE-RH 172S	09831	& ON 01
- 77	S1021Z8-8	. . SCREW		AR
- 78	S3431-3A	. . NUTPLATE 172	81171	& ON 02
- 78A	S3431-3A	. . NUTPLATE 172S	09121	& ON 04
- 79	S3430-2A	. . NUTPLATE 172	81171	& ON 02
- 79A	S3430-2A	. . NUTPLATE 172S	09121	& ON 02
- 80	S3240-2A	. . NUTPLATE 172	81090	81170 02
- 80A	S3240-2A	. . NUTPLATE 172S	08980	09120 02
81	0532001-96	. . SPAR ASSY-REAR 172	80001	81562 01
- 81A	0532001-96	. . SPAR ASSY-REAR 172S	08001	10995 01
- 81B	0532111-1	. . SPAR ASSY-REAR 172	81563	& ON 01
- 81C	0532111-1	. . SPAR ASSY-REAR 172S	10996	& ON 01
82	0532001-7	. . TIP-SPAR 172	80001	81562 02
- 82A	0532001-7	. . TIP-SPAR 172S	08001	10995 02
83	0532001-8	. . REINFORCEMENT-SPAR 172	80001	81562 01
- 83A	0532001-8	. . REINFORCEMENT-SPAR 172S	08001	10995 01
- 83B	0532111-3	. . REINFORCEMENT-SPAR 172	81563	& ON 01
- 83C	0532111-3	. . REINFORCEMENT-SPAR 172S	10996	& ON 01
84	0532001-81	. . ANGLE-REINFORCEMENT		02
85	0532001-98	. . SPAR ASSY-FRONT		01
86	0531037-1	. . REINFORCEMENT-SPAR		01
87	0532009-1	. . BRACKET ASSY-STABILIZER		01
88	MS21073L3	. . NUTPLATE		04
89	0532006-1	. . BRACKET ASSY		01
90	MS21078-3	. . NUTPLATE		02
- 90A	NAS1023N3	. . NUTPLATE ALT FOR MS21078-3		02
91	0530010-5	. . FAIRING ASSY-LH 172 FSO 0530010-11	80001	81566 NP
- 91A	0530010-5	. . FAIRING ASSY-LH 172S FSO 0530010-11	08001	11050 NP
- 91B	0530010-11	. . FAIRING ASSY-LH 172	81567	& ON 01
- 91C	0530010-11	. . FAIRING ASSY-LH 172S	11051	& ON 01
92	0530010-6	. . FAIRING ASSY-RH 172 FSO 0530010-12	80001	81566 NP
- 92A	0530010-6	. . FAIRING ASSY-RH 172S FSO 0530010-12	08001	11050 NP
- 92B	0530010-12	. . FAIRING ASSY-RH 172	81567	& ON 01
- 92C	0530010-12	. . FAIRING ASSY-RH 172S	11051	& ON 01
		ATTACHING PARTS		
93	S1021Z8-8	. . SCREW		02
- 94		. . ELEVATOR CONTROL SYSTEM REFER TO 27-30-00 FIGURE 01		RF
- 95		. . ELEVATOR TRIM TAB ACTUATOR REFER TO 27-30-01 FIGURE 02		RF

- ITEM NOT ILLUSTRATED

CESSNA AIRCRAFT COMPANY
MODEL 172 (SERIES 1996 AND ON)
 ILLUSTRATED PARTS CATALOG

B371



ELEVATOR INSTALLATION
 FIGURE 01 (SHEET 1)

0534T2001
 A0534T1001
 B0534T1003
 C0534T1003
 D0534T1002

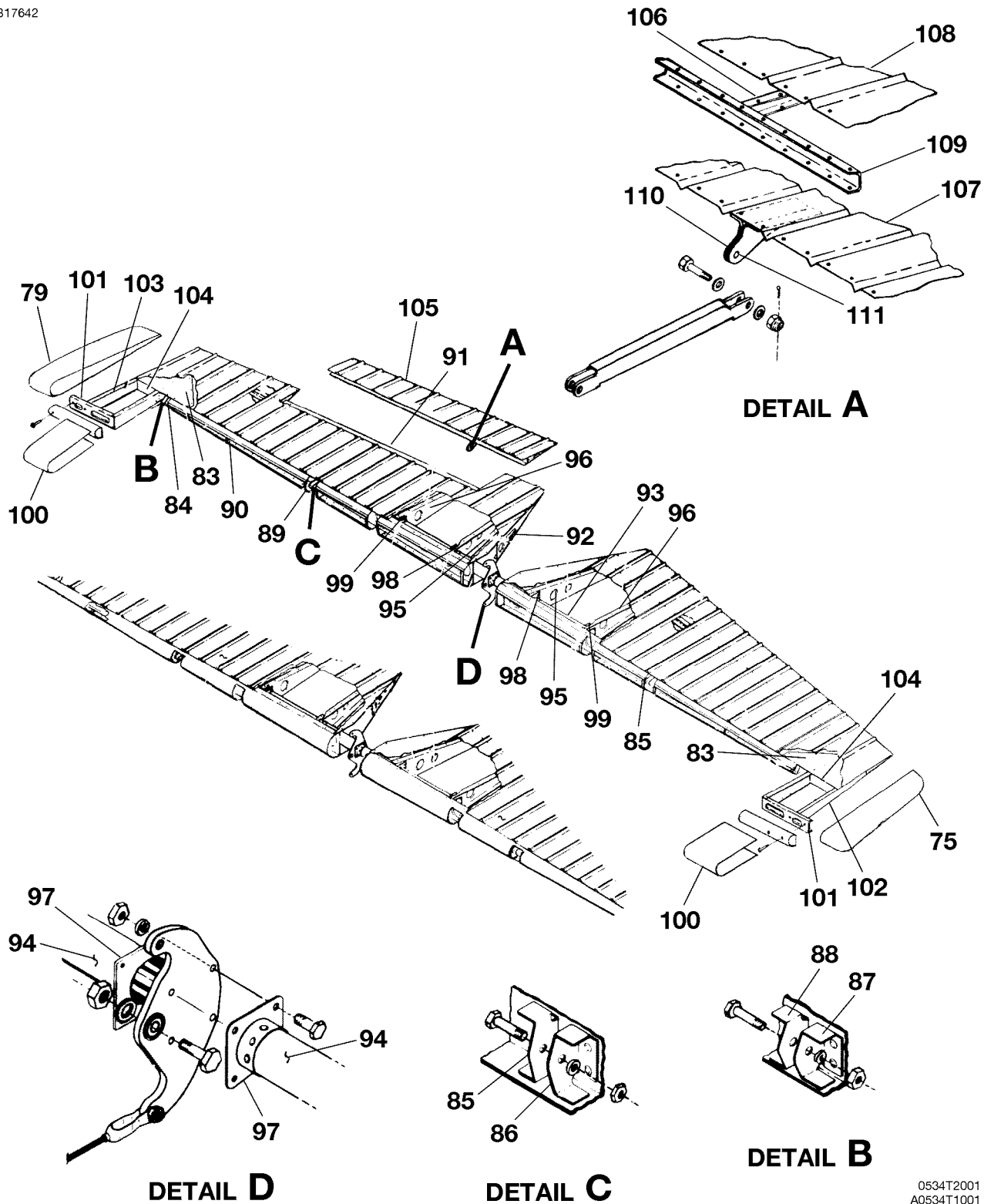
CESSNA AIRCRAFT COMPANY
MODEL 172 (SERIES 1996 AND ON)
ILLUSTRATED PARTS CATALOG

FIG ITEM	PART NUMBER	NOMENCLATURE	UNITS	
			PER	ASSY
01		ELEVATOR INSTALLATION		RF
-				
1	0534122-1	. BELLCRANK ASSY-ELEVATOR 172 FSO 0534128-1	80001	81567 NP
- 1A	0534122-1	. BELLCRANK ASSY-ELEVATOR 172S FSO 0534128-1	08001	11054 NP
- 1B	0534128-1	. BELLCRANK ASSY-ELEVATOR 172	81568	& ON 01
- 1C	0534128-1	. BELLCRANK ASSY-ELEVATOR 172S	11055	& ON 01
2	AN4-14A	. BOLT BELLCRANK ASSY ATTACH		01
3	NAS1149F0463P	. WASHER BELLCRANK ASSY ATTACH		01
4	MS21042L4	. NUT BELLCRANK ASSY ATTACH		01
5	2432003-1	. CHANNEL-TAB ACTUATOR		01
6	AN3-6	. BOLT CHANNEL ATTACH		02
7	NAS1149F0332P	. WASHER CHANNEL ATTACH		04
8	MS17825-3	. NUT CHANNEL ATTACH		02
9	MS24665-132	. COTTER PIN CHANNEL ATTACH		02
10	2432000-12	. ELEVATOR ASSY-RH LESS TRIM TAB 172 FSO 2432000-22	80001	81567 NP
- 10A	2432000-12	. ELEVATOR ASSY-RH LESS TRIM TAB 172S FSO 2432000-22	08001	11055 NP
- 10B	2432000-20	. ELEVATOR ASSY-RH LESS TRIM TAB 172 FSO 2432000-22 172S	81568	81622 NP
- 10C	2432000-20	. ELEVATOR ASSY-RH LESS TRIM TAB 172S FSO 2432000-22 172S	11056	11531 NP R
- 10D	2432000-22	. ELEVATOR ASSY-RH LESS TRIM TAB 172	81623	& ON 01
- 10E	2432000-22	. ELEVATOR ASSY-RH LESS TRIM TAB 172S	11532	& ON 01 R
- 10F	2432000-212	. ELEVATOR ASSY-RH SPARE		01
11	2432000-11	. ELEVATOR ASSY-LH 172 FSO 2432000-21	80001	81567 NP
- 11A	2432000-11	. ELEVATOR ASSY-LH 172S FSO 2432000-21	08001	11055 NP
- 11B	2432000-19	. ELEVATOR ASSY-LH 172 FSO 2432000-21	81568	81622 NP
- 11C	2432000-19	. ELEVATOR ASSY-LH 172S FSO 2432000-21	11056	11531 NP R
- 11D	2432000-21	. ELEVATOR ASSY-LH 172	81623	& ON 01
- 11E	2432000-21	. ELEVATOR ASSY-LH 172S	11532	& ON 01 R
- 11F	2432000-211	. ELEVATOR ASSY-LH SPARE		01
12	AN4-11A	. BOLT ELEVATOR ASSY ATTACH		04
13	AN4-7A	. BOLT ELEVATOR ASSY ATTACH		04
14	NAS1149F0463P	. WASHER ELEVATOR ASSY ATTACH		12
15	MS21042L4	. NUT ELEVATOR ASSY ATTACH		08
16	2432002-1	. SPAR-ELEVATOR		01
17	0532001-29	. CHANNEL-ELEVATOR		01
18	0532001-83	. RIB-ELEVATOR LH		01
19	0532001-82	. RIB-ELEVATOR RH		01
20	DEV055044-4	. SKIN-ELEVATOR UPPER RH		01
21	DEV055044-2	. SKIN-ELEVATOR LOWER RH		01
22	DEV055044-1	. SKIN-ELEVATOR LOWER LH		01
23	DEV055044-3	. SKIN-ELEVATOR UPPER LH		01
24	2432001-1	. FAIRING-ELEVATOR LEADING EDGE REPLACED BY 1 EACH 2432001-2 AND 2432001-3		01
25	0532108-1	. WEIGHT-ELEVATOR BALANCE		01
26	MS24694-S12	. ATTACHING PARTS SCREW		02

- ITEM NOT ILLUSTRATED

CESSNA AIRCRAFT COMPANY
MODEL 172 (SERIES 1996 AND ON)
ILLUSTRATED PARTS CATALOG

B17642



ELEVATOR INSTALLATION
FIGURE 01 (SHEET 2)

0534T2001
A0534T1001
B0534T1003
C0534T1003
D0534T1002

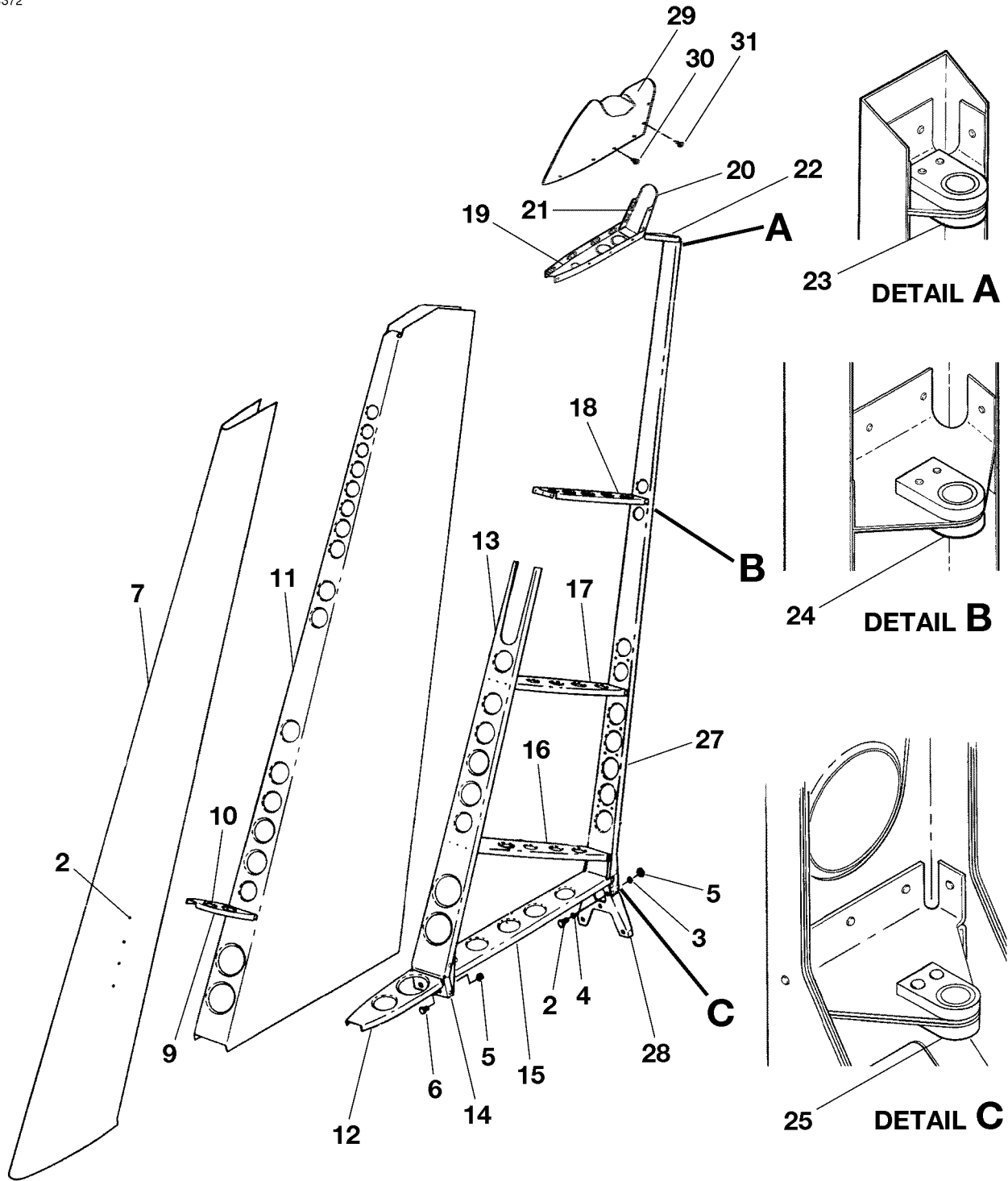
CESSNA AIRCRAFT COMPANY
MODEL 172 (SERIES 1996 AND ON)
ILLUSTRATED PARTS CATALOG

FIG ITEM	PART NUMBER	NOMENCLATURE	UNITS		
			PER	ASSY	
01					
75	0532001-94	. . . TIP-ELEVATOR LH FSO 9910100-3 172	80001	81567	NP
- 76	0532001-94	. . . TIP-ELEVATOR LH FSO 9910100-3 172S	08001	11055	NP
- 77	9910100-3	. . . TIP-ELEVATOR LH 172	81568	& ON	01
- 78	9910100-3	. . . TIP-ELEVATOR LH 172S	11056	& ON	NP
79	0532001-100	. . . TIP-ELEVATOR RH FSO 9910100-4 172	80001	81567	NP
- 80	0532001-100	. . . TIP-ELEVATOR RH	08001	11055	NP
- 81	9910100-4	. . . TIP-ELEVATOR RH	81568	& ON	01
- 82	9910100-4	. . . TIP-ELEVATOR RH	11056	& ON	01
83	0532001-86	. . . DOUBLER-ELEVATOR UPPER			01
84	0532001-87	. . . DOUBLER-ELEVATOR LOWER			01
85	0532105-3	. . . BRACKET-ELEVATOR OUTBOARD			01
86	0532105-4	. . . BRACKET-ELEVATOR INBOARD			01
87	0531105-10	. . . BRACKET-ELEVATOR INBOARD			01
88	0531105-11	. . . BRACKET-ELEVATOR OUTBOARD			01
89	0534126-1	. . . CLIP-ELEVATOR INBOARD			05
90	0534126-2	. . . CLIP-ELEVATOR OUTBOARD			02
91	0532001-45	. . . HINGE ASSY-TAB RH			01
92	0534127-1	. . . RIB-ELEVATOR CLOSURE			01
93	0532001-30	. . . TORQUE TUBE ASSY-ELEVATOR			01
94	0532001-31	. . . TUBE-TORQUE			01
95	0532001-32	. . . RIB-ELEVATOR			01
96	0532001-33	. . . RIB-ELEVATOR			01
97	0532001-35	. . . ADAPTER-TORQUE TUBE			01
98	0734102-3	. . . ADAPTER-TORQUE TUBE			01
99	0734102-4	. . . ADAPTER-TORQUE TUBE			01
100	0532001-92	. . . SKIN-ELEVATOR TIP			01
101	0532001-103	. . . RIB ASSY-TIP			01
102	0532001-85	. . . RIB-ELEVATOR LH			01
103	0532001-84	. . . RIB-ELEVATOR RH			01
104	0532001-80	. . . RIB-SPAR EXTENTION			01
105	0532001-101	. . . TRIM TAB ASSY-ELEVATOR			01
106	0532001-42	. . . RIB-TAB			01
107	0532001-43	. . . SKIN-TAB LOWER			01
108	0532001-44	. . . SKIN-TAB UPPER			01
109	0532001-48	. . . SPAR-TAB			01
110	0334128-3	. . . HORN ASSY-TRIM TAB			01
111	S3895-1	. . . BEARING-HORN ASSEMBLY			01
- 112		. . . ELEVATOR CONTROL SYSTEM REFER TO 27-30-01 FIGURE 01			RF
- 113		. . . TRIM TAB ACTUATOR REFER TO 27-30-01 FIGURE 02			RF

- ITEM NOT ILLUSTRATED

CESSNA AIRCRAFT COMPANY
MODEL 172 (SERIES 1996 AND ON)
 ILLUSTRATED PARTS CATALOG

B372



FIN INSTALLATION
 FIGURE 01 (SHEET 1)

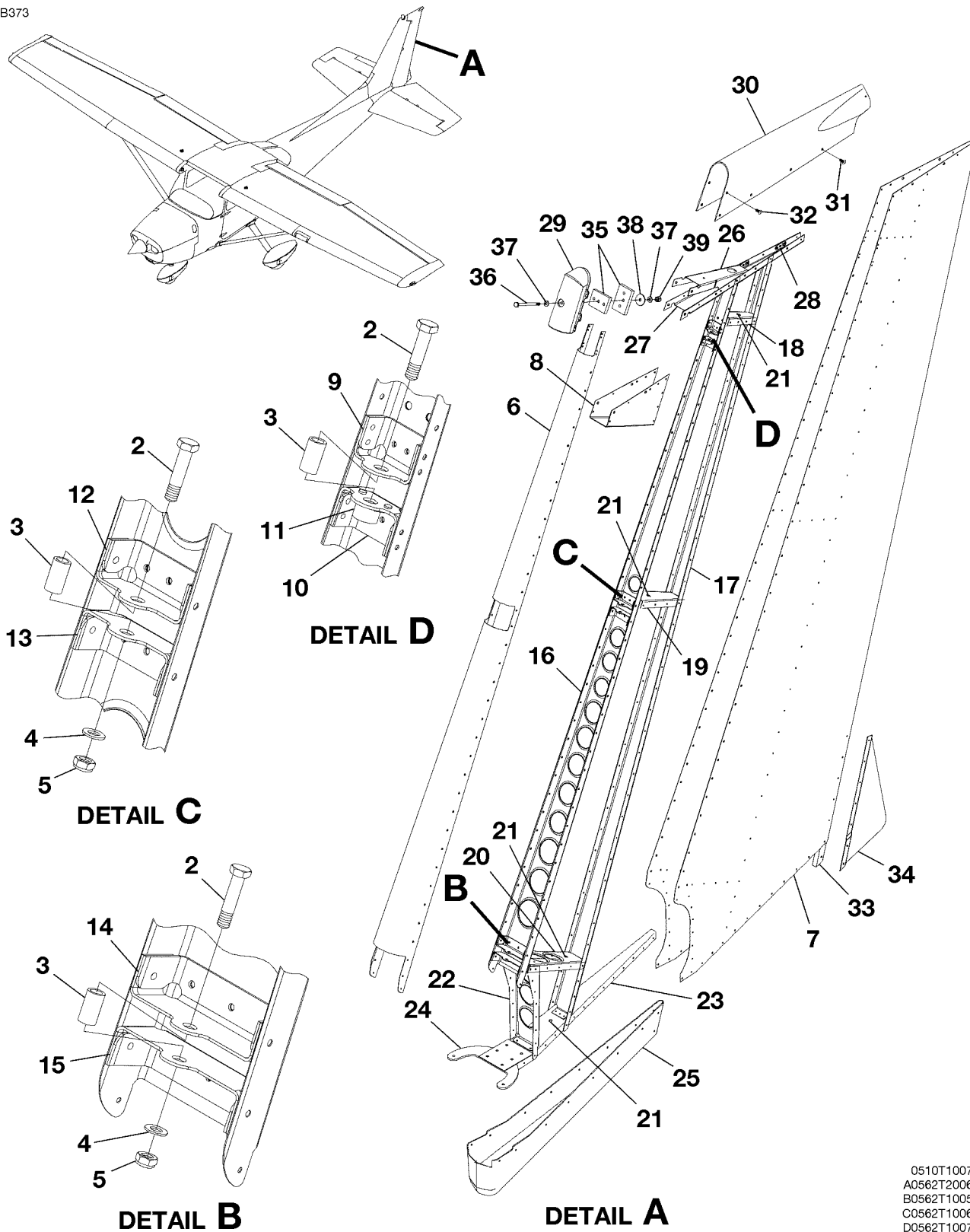
0560T3002
 0560T1009
 A0560T1006
 B0560T1007
 C0560T1008

CESSNA AIRCRAFT COMPANY
MODEL 172 (SERIES 1996 AND ON)
ILLUSTRATED PARTS CATALOG

FIG ITEM	PART NUMBER	NOMENCLATURE	UNITS	
			PER	ASSY
01		FIN INSTALLATION		RF
- 1	0531006-114	. FIN ASSY-VERTICAL STABILIZER INCLUDES TIP 172	80001 81567	01 R
- 1A	0531006-114	. FIN ASSY-VERTICAL STABILIZER INCLUDES TIP 172S	08001 11055	01 R
- 1B	0531006-117	. FIN ASSY-VERTICAL STABILIZER INCLUDES TIP 172	81568 & ON	01 R
- 1C	0531006-117	. FIN ASSY-VERTICAL STABILIZER INCLUDES TIP 172S	11056 & ON	01 R
		ATTACHING PARTS		
2	AN5-10A	. BOLT		02
3	NAS1149F0563P	. WASHER		02
4	NAS1149F0532P	. WASHER		02
5	MS21042L5	. NUT		04
- 5A	0531115-1	. SHIM		AR
- 5B	0531115-2	. SHIM		AR
6	AN5-6A	. BOLT		02
		—*—		
7	0531006-96	. SKIN ASSY		01
- 8	S3431-3A	. . NUTPLATE		06
9	0531006-95	. RIB ASSY		01
10	S3431-3	. . NUTPLATE		02
11	0531006-5	. SKIN		01
12	0531006-16	. RIB		01
13	0531006-13	. REINFORCEMENT ASSY-VERTICAL FIN		01
14	0531006-15	. GUSSET		01
15	0531006-87	. RIB		01
- 15A	S1050-1	. . GROMMET		01
16	0531006-18	. RIB		01
- 16A	S1050-1	. . GROMMET		01
17	0531006-19	. RIB		01
- 17A	S1050-1	. . GROMMET		01
18	0531006-20	. RIB		01
- 18A	S1050-1	. . GROMMET		01
19	0531116-1	. RIB ASSY		01
20	0531034-1	. RIB-AFT FIN TIP		01
21	S3240-1A	. NUTPLATE		04
22	0531006-54	. RIB		01
23	0531006-39	. HINGE HALF ASSY-UPPER FSO 0531103-3		NP
- 23A	0531103-3	. HINGE HALF ASSY-UPPER		01
- 23B	S1003-29A	. BEARING		01
24	0531006-44	. HINGE HALF ASSY-MIDDLE FSO 0531103-2		NP
- 24A	0531103-2	. HINGE HALF ASSY-MIDDLE		01
- 24B	S1003-29A	. BEARING		01
25	0531006-49	. HINGE HALF ASSY-LOWER FSO 0531103-1		01
- 25A	0531103-1	. HINGE HALF ASSY-LOWER		01
- 26	S1004-42A	. BEARING		01
27	0531006-9	. SPAR ASSY-VERTICAL FIN		01
28	0531006-113	. FITTING		01
29		. FIN CAP REFER TO 33-43-00 FIGURE 01		RF
		ATTACHING PARTS		
30	S1021Z6-4	. SCREW		08
31	S1021Z6-6	. SCREW		04
		—*—		
- 32		. RUDDER CONTROL REFER TO 27-20-00 FIGURE 01		RF

CESSNA AIRCRAFT COMPANY
MODEL 172 (SERIES 1996 AND ON)
 ILLUSTRATED PARTS CATALOG

B373



RUDDER ASSEMBLY
 FIGURE 01 (SHEET 1)

0510T1007
 A0562T2006
 B0562T1005
 C0562T1006
 D0562T1007

CESSNA AIRCRAFT COMPANY
MODEL 172 (SERIES 1996 AND ON)
ILLUSTRATED PARTS CATALOG

FIG ITEM	PART NUMBER	NOMENCLATURE			UNITS PER ASSY
		1 2 3 4 5 6 7			
01		RUDDER ASSEMBLY			RF
- 1	0533150-5	. RUDDER ASSY 172	80001	81496	01
- 1A	0533150-5	. RUDDER ASSY 172S	08001	10655	01
- 1B	0533150-7	. RUDDER ASSY 172 FSO 0533150-9	81497	81567	NP
- 1C	0533150-7	. RUDDER ASSY 172S FSO 0533150-9	10656	11055	NP
- 1D	0533150-8	. RUDDER ASSY 172 FSO 0533150-9	81568	81589	NP
- 1E	0533150-8	. RUDDER ASSY 172S FSO 0533150-9	11056	11111	NP
- 1F	0533150-9	. RUDDER ASSY 172	81590	81622	01 R
- 1G	0533150-9	. RUDDER ASSY 172S	11112	11508	01 R
- 1H	0533150-10	. RUDDER ASSY 172	81623	& ON	01 R
- 1J	0533150-10	. RUDDER ASSY 172S	11509	& ON	01 R
		ATTACHING PARTS			
2	AN4-11A	. BOLT			03
3	0532104-0	. BUSHING			03
4	NAS1149D0432K	. WASHER-LOWER & CENTER HINGE ONLY			02
5	MS21042L4	. NUT-LOWER & CENTER HINGE ONLY			02
		—*—			
6	0533150-2	. SKIN-LEADING EDGE			01
7	0533150-3	. SKIN-AFT			01
8	0533150-4	. SKIN			01
9	0531018-6	. BRACKET			01
10	0531018-7	. BRACKET ASSY			01
11	MS21073L4	. NUTPLATE			01
12	0531018-4	. BRACKET			01
13	0531018-3	. BRACKET			01
14	0531018-2	. BRACKET			01
15	0531018-1	. BRACKET			01
16	0533151-3	. SPAR ASSY-FWD RUDDER			01
17	0533151-2	. SPAR ASSY-AFT RUDDER			01
18	0533154-3	. RIB			01
19	0533154-2	. RIB			01
20	0533154-1	. RIB			01
21	AN931-3-5	. GROMMET			05
22	0533158-1	. RIB			01
23	0533152-3	. RIB ASSY			01
24	0531008-1	. HORN-RUDDER			01
25	0533155-1	. RUDDER TIP-LOWER 172 FSO 9910100-2	80001	81567	NP
- 25A	0533155-1	. RUDDER TIP-LOWER 172S FSO 9910100-2	08001	11055	NP
- 25B	9910100-2	. RUDDER TIP-LOWER 172	81568	& ON	01
- 25C	9910100-2	. RUDDER TIP-LOWER 172S	11056	& ON	01
26	0531006-107	. RIB			01
27	0533153-1	. RIB ASSY			01
28	S3430-1A	. NUTPLATE			06
29	0533134-1	. WEIGHT ASSY-RUDDER BALANCE			01
30	0533155-2	. RUDDER TIP-UPPER 172 FSO 9910100-6	80001	81567	NP
- 30A	0533155-2	. RUDDER TIP-UPPER 172S FSO 9910100-6	08001	11055	NP
- 30B	9910100-6	. RUDDER TIP-UPPER 172	81568	& ON	01
- 30C	9910100-6	. RUDDER TIP-UPPER 172S	11056	& ON	01
		ATTACHING PARTS			
31	S1021Z6-6	. SCREW			06
32	AN525-10R7	. SCREW			04
		—*—			
33	0533156-1	. FILLER-RUDDER TRIM TAB			01
34	0533157-1	. TRIM TAB-RUDDER			01
35	6334019-22	. TRIM WEIGHT 172	81568	& ON	02
- 35A	6334019-22	. TRIM WEIGHT 172S	11056	& ON	02
		ATTACHING PARTS			
36	AN3-25A	. BOLT			01
37	NAS1149F0332P	. WASHER			02
38	AN970-3	. WASHER			01
39	MS21044N3	. NUT			01
		—*—			
- 40		. RUDDER CONTROL SYSTEM REFER TO 27-20-00 FIGURE 01			RF
- 41		. RUDDER PEDALS REFER TO 27-21-00 FIGURE 01			RF
- 42		. TAIL POSITION LIGHTS REFER TO 33-40-00 FIGURE 02			RF

CHAPTER

56

WINDOWS

CESSNA AIRCRAFT COMPANY
MODEL 172 (SERIES 1996 AND ON)
ILLUSTRATED PARTS CATALOG

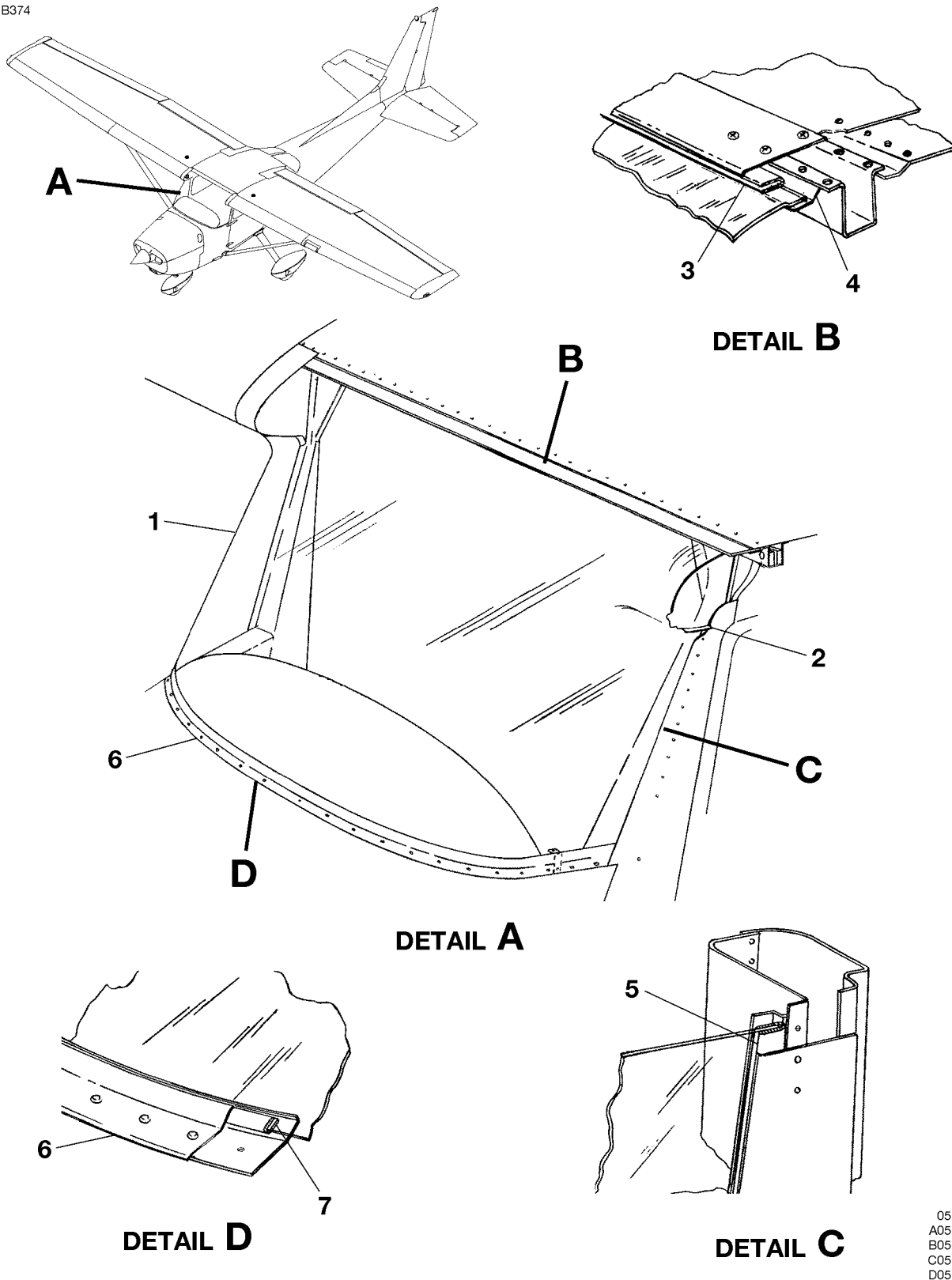
CHAPTER SECTION SUBJECT		NUMBER OF PAGES	DATE
56 - TITLE			
56 - LIST OF EFFECTIVE PAGES			
56 - RECORD OF TEMPORARY REVISIONS			
56 - TABLE OF CONTENTS			
56-10-00	Figure 01	2	Jan 6/1999
56-20-00	Figure 01	2	Jul 16/1999
56-30-00	Figure 01	4	Jul 1/2016
56-60-00	Figure 01	2	Jul 1/2016

CESSNA AIRCRAFT COMPANY
MODEL 172 (SERIES 1996 AND ON)
ILLUSTRATED PARTS CATALOG

<u>SUBJECT</u>	<u>CHAPTER</u>	<u>FIGURE</u>	<u>EFFECTIVITY</u>	
	<u>SECTION</u>		<u>START</u>	<u>END</u>
	<u>SUBJECT</u>			
WINDSHIELD INSTALLATION	56-10-00	01		
CABIN WINDOWS	56-20-00	01		
WINDOW-CABIN DOOR	56-30-00	01		
SKYLIGHT HEADLINER INSTALLATION	56-60-00	01		

CESSNA AIRCRAFT COMPANY
MODEL 172 (SERIES 1996 AND ON)
ILLUSTRATED PARTS CATALOG

B374



WINDSHIELD INSTALLATION
FIGURE 01 (SHEET 1)

0510T1007
A0511T3002
B0511T3002
C0511T3002
D0511T3002

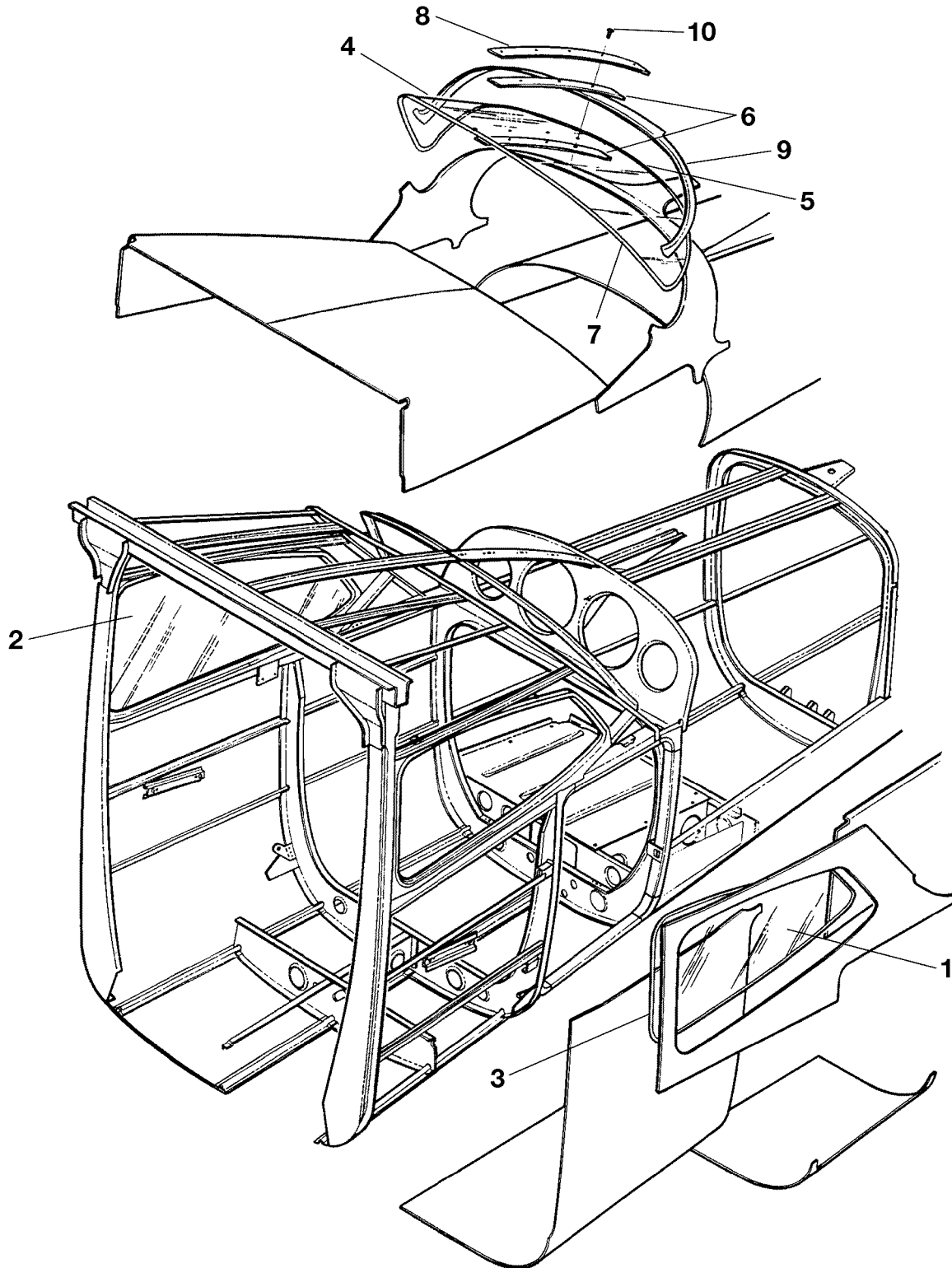
CESSNA AIRCRAFT COMPANY
MODEL 172 (SERIES 1996 AND ON)
 ILLUSTRATED PARTS CATALOG

FIG ITEM	PART NUMBER	1 2 3 4 5 6 7	NOMENCLATURE	UNITS
				PER ASSY
01			WINDSHIELD INSTALLATION	RF
-				
1	0513230-42		. WINDSHIELD ASSY-TINTED	01
2	0413530-2		. . COVER-WINDSHIELD UPPER EDGE	01
3	S1389-4		. SEAL-FELT BKI 46.50 IN LG	AR
4	0513312-2		. RETAINER-WINDSHIELD TOP	01
5	S1389-1		. SEALER STRIP-FELT BKI 18.50 IN LG	AR
6	0513230-36		. RETAINER-OUTSIDE	01
7	S1389-2		. SEAL-FELT BKI 76.50 IN LG	AR
- 8			. FUSELAGE ASSY REFER TO 53-00-00 FIGURE 01	RF R

- ITEM NOT ILLUSTRATED

CESSNA AIRCRAFT COMPANY
MODEL 172 (SERIES 1996 AND ON)
ILLUSTRATED PARTS CATALOG

B375



CABIN WINDOWS
FIGURE 01 (SHEET 1)

0512T4001

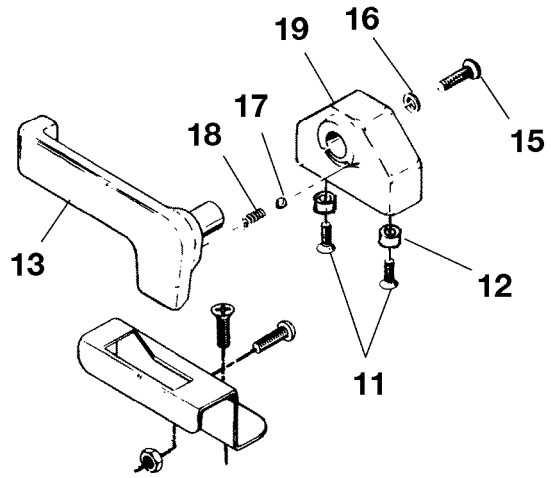
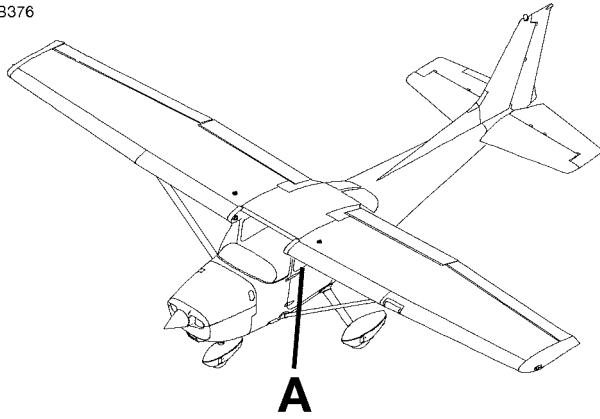
CESSNA AIRCRAFT COMPANY
MODEL 172 (SERIES 1996 AND ON)
 ILLUSTRATED PARTS CATALOG

FIG ITEM	PART NUMBER	NOMENCLATURE	UNITS
			PER ASSY
01		CABIN WINDOWS	RF
-			
1	0512180-9	. WINDOW ASSY-SIDE LH	01
2	0512180-10	. WINDOW ASSY-SIDE RH	01
3	S1166-1	. . SEAL-WINDOW 69.00 IN LG BKI LH & RH	AR
4	0512030-32	. WINDOW-REAR	01
5	S1389-2	. SEAL-REAR WINDOW BKI	AR R
6	S1389-3	. SEALER STRIP-REAR WINDOW BKI	AR R
7	S1389-1	. SEALER STRIP-REAR WINDOW BKI	AR R
8	0512032-5	. RETAINER ASSY	01 R
9	0512040-5	. RETAINER-REAR WINDOW	01 R
10	AN525-10R10	. SCREW	05
- 11		. FUSELAGE AFT SECTION REFER TO 53-20-00 FIGURE 01	RF

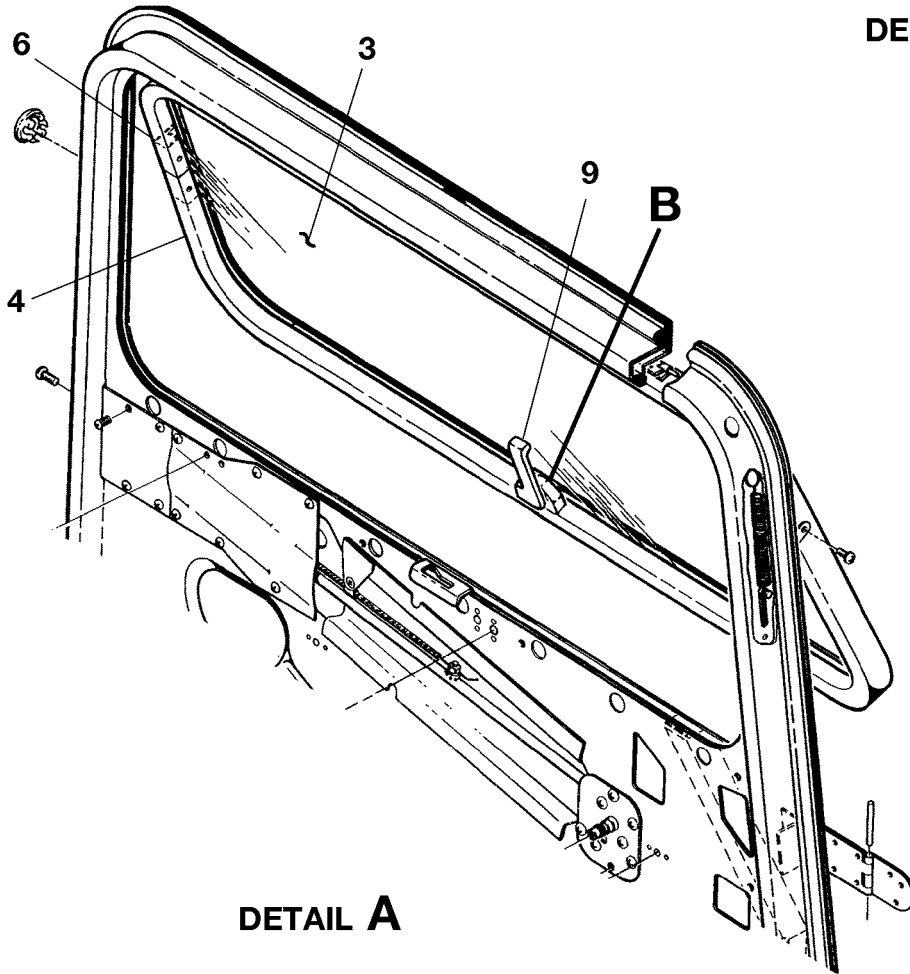
- ITEM NOT ILLUSTRATED

CESSNA AIRCRAFT COMPANY
MODEL 172 (SERIES 1996 AND ON)
ILLUSTRATED PARTS CATALOG

B376



DETAIL B



DETAIL A

WINDOW-CABIN DOOR
FIGURE 01 (SHEET 1)

0510T1007
A0511R3001
B0511R1002

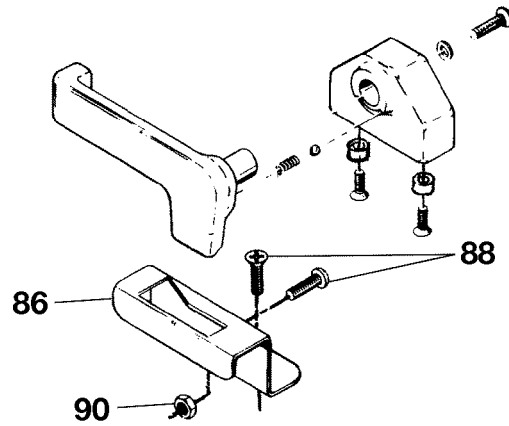
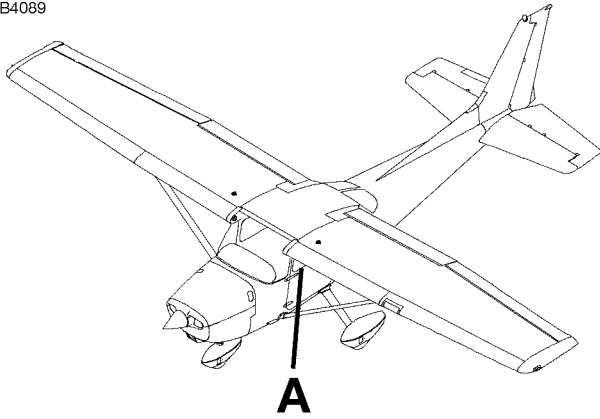
CESSNA AIRCRAFT COMPANY
MODEL 172 (SERIES 1996 AND ON)
ILLUSTRATED PARTS CATALOG

FIG ITEM	PART NUMBER	NOMENCLATURE	UNITS	
			PER	ASSY
01		WINDOW-CABIN DOOR		RF
-		WINDOW ASSY-CABIN DOOR LH 172	80001 81231	01
- 1	0517025-9	WINDOW ASSY-CABIN DOOR LH 172S	08001 09751	01
- 1A	0517025-9	WINDOW ASSY-CABIN DOOR LH 172	81232 & ON	01
- 1B	0517025-11	WINDOW ASSY-CABIN DOOR LH 172S	09752 & ON	01
- 1C	0517025-11	WINDOW ASSY-CABIN DOOR RH 172	80001 81231	01
- 2	0517025-10	WINDOW ASSY-CABIN DOOR RH 172S	08001 09751	01
- 2A	0517025-10	WINDOW ASSY-CABIN DOOR RH 172	81232 & ON	01
- 2B	0517025-12	WINDOW ASSY-CABIN DOOR RH 172S	09752 & ON	01
- 2C	0517025-12	GLASS ASSY-CABIN DOOR WINDOW LH AND RH		01
3	0517024-15	WINDOW FRAME LH		01
4	0711050-5	WINDOW FRAME RH		01
- 5	0711050-6	TUBE-SPLICE LH AND RH		01
6	0711050-7	DELETED-NOT USED		01
- 7		DELETED-NOT USED		
- 8		LATCH ASSY-WINDOW LH FSO 1217066-5 172	80001 81231	NP
9	1217066-3	LATCH ASSY-WINDOW LH FSO 1217066-5 172S	08001 09751	NP
- 9A	1217066-3	LATCH ASSY-WINDOW LH 172	81232 & ON	01
- 9B	1217066-5	LATCH ASSY-WINDOW LH 172S	09752 & ON	01
- 9C	1217066-5	LATCH ASSY-WINDOW RH FSO 1217066-6 172	80001 81231	NP
- 10	1217066-4	LATCH ASSY-WINDOW RH FSO 1217066-6 172S	08001 09751	NP
- 10A	1217066-4	LATCH ASSY-WINDOW RH 172	81232 & ON	01
- 10B	1217066-6	LATCH ASSY-WINDOW RH 172S	09752 & ON	01
- 10C	1217066-6	ATTACHING PARTS		
11	NAS514P1032-14	SCREW LH AND RH		02
12	NAS43HT3-34	SPACER LH AND RH		02
13	1217063-7	HANDLE-LH-WINDOW LATCH FSO 1217063-11 172	80001 81231	NP
- 13A	1217063-7	HANDLE-LH-WINDOW LATCH FSO 1217063-11 172S	08001 09751	NP
- 13B	1217063-11	HANDLE-LH-WINDOW LATCH 172	81232 & ON	01
- 13C	1217063-11	HANDLE-LH-WINDOW LATCH 172S	09752 & ON	01
- 14	1217063-8	HANDLE-RH-WINDOW LATCH FSO 1217063-10 172	80001 81231	NP
- 14A	1217063-8	HANDLE-RH-WINDOW LATCH FSO 1217063-10 172S	08001 09751	NP
- 14B	1217063-10	HANDLE-RH-WINDOW LATCH 172	81232 & ON	01
- 14C	1217063-10	HANDLE-RH-WINDOW LATCH 172S	09752 & ON	01
		ATTACHING PARTS		
15	S1931-8	SCREW LH AND RH		01
16	NAS1149CN832R	WASHER LH AND RH		01
17	S272-5	BALL LH AND RH		02
18	MS24585-1020	SPRING LH AND RH		02
19	1217063-9	BRACKET-LATCH LH AND RH FSO 1217063-12 172	80001 81231	NP
- 19A	1217063-9	BRACKET-LATCH LH AND RH FSO 1217063-12 172S	08001 09751	NP
- 19B	1217063-12	BRACKET-LATCH LH AND RH 172	81232 & ON	02
- 19C	1217063-12	BRACKET-LATCH LH AND RH 172S	09752 & ON	02

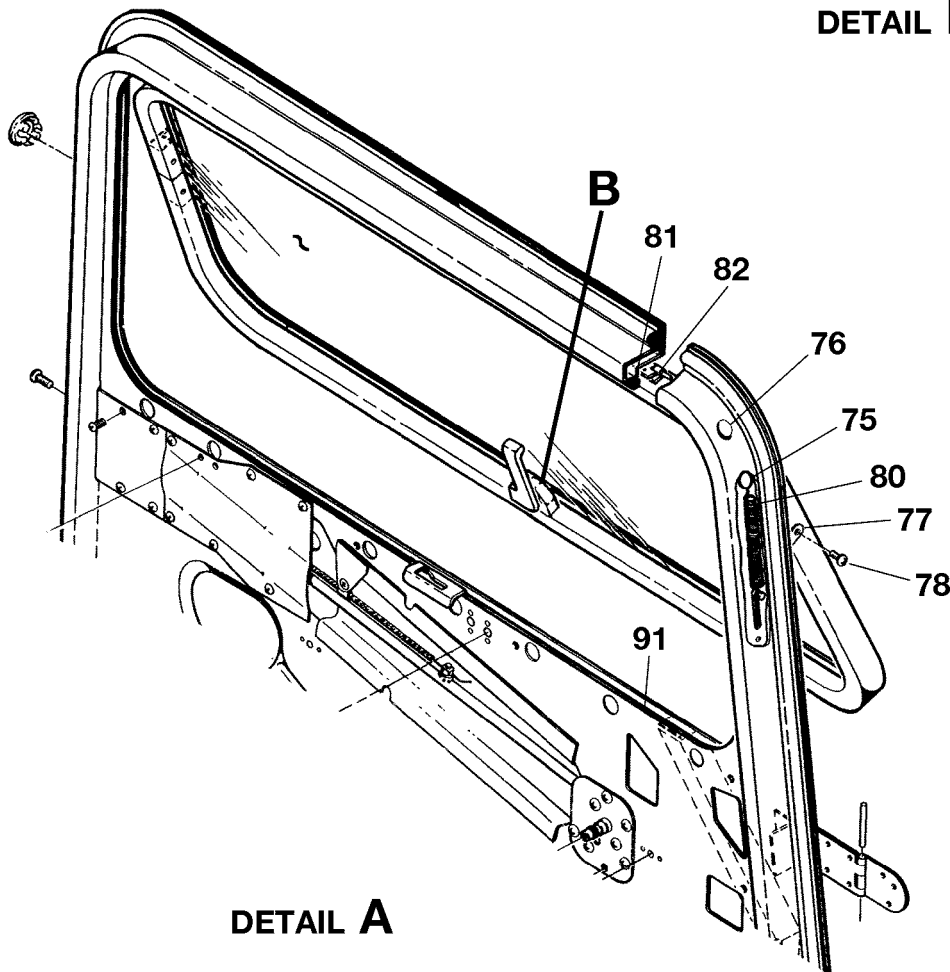
- ITEM NOT ILLUSTRATED

CESSNA AIRCRAFT COMPANY
MODEL 172 (SERIES 1996 AND ON)
ILLUSTRATED PARTS CATALOG

B4089



DETAIL B



DETAIL A

WINDOW-CABIN DOOR
FIGURE 01 (SHEET 2)

0510T1007
A0511R3001
B0511R1002

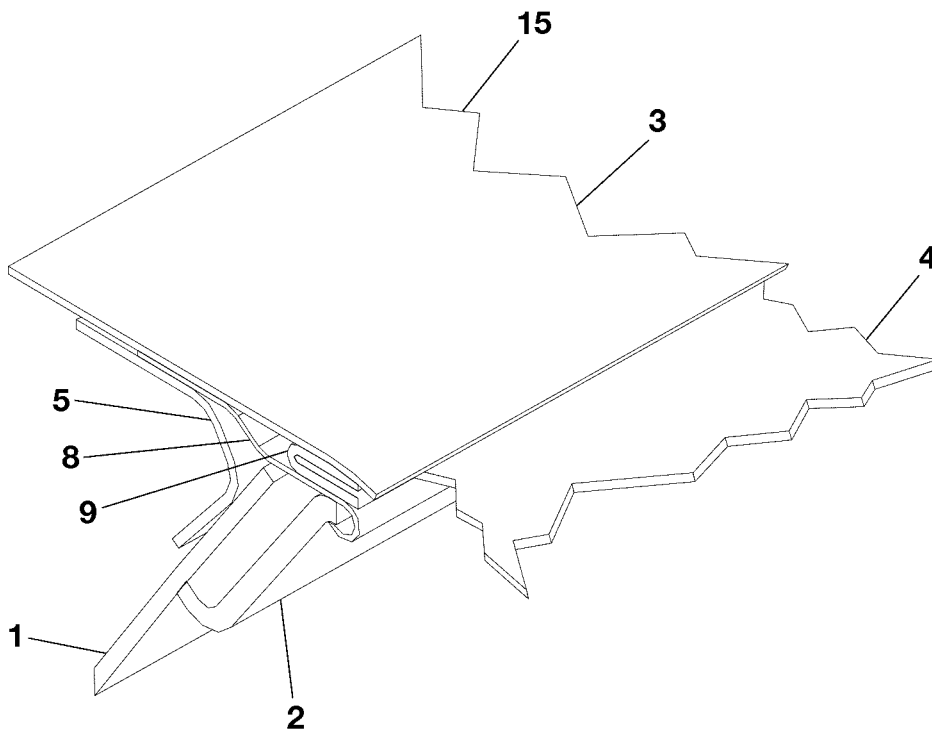
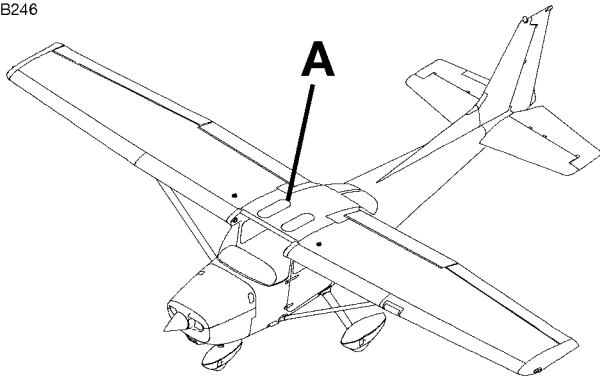
CESSNA AIRCRAFT COMPANY
MODEL 172 (SERIES 1996 AND ON)
ILLUSTRATED PARTS CATALOG

FIG ITEM	PART NUMBER	1 2 3 4 5 6 7	NOMENCLATURE	UNITS PER ASSY		
01						
75	S1908-20		.. PLUG BUTTON LH AND RH			01
76	S1908-21		.. PLUG BUTTON LH AND RH			01
77	0711021-11		.. ARM ASSY LH AND RH			01
			ATTACHING PARTS			
78	AN525-10R8		.. SCREW LH AND RH			01
- 79	0711021-12		.. SPACER LH AND RH			01
			—*—			
80	0711021-9		.. SPRING LH AND RH			01
81	S2108-1		.. SEAL-WINDOW 84.00 IN LG BKI LH AND RH			01
82	0411185-7		.. HINGE ASSY-WINDOW LH AND RH			02
- 83	0411185-5		.. HINGE HALF-UPPER LH AND RH (DRILLED)			NP
- 83A	0411185-3		.. HINGE HALF-UPPER LH AND RH (UNDRILLED)			01
- 84	0411185-6		.. HINGE HALF-LOWER LH AND RH (DRILLED)			NP
- 84A	0411185-3		.. HINGE HALF-LOWER LH AND RH (UNDRILLED)			01
- 85	0411185-4		.. PIN-HINGE LH AND RH			01
86	1217065-7		.. STRIKER PLATE-WINDOW LH 172	80001	81231	01
- 86A	1217065-7		.. STRIKER PLATE-WINDOW LH 172S	08001	09751	01
- 86B	1217065-9		.. STRIKER PLATE-WINDOW LH 172	81232	& ON	01
- 86C	1217065-9		.. STRIKER PLATE-WINDOW LH 172S	09752	& ON	01
- 87	1217065-8		.. STRIKER PLATE-WINDOW RH 172	80001	81231	01
- 87A	1217065-8		.. STRIKER PLATE-WINDOW RH 172S	08001	09751	01
- 87B	1217065-10		.. STRIKER PLATE-WINDOW RH 172	81232	& ON	01
- 87C	1217065-10		.. STRIKER PLATE-WINDOW RH 172S	09752	& ON	01
			ATTACHING PARTS			
88	AN507-832R7		.. SCREW LH AND RH			03
- 89	NAS1329A08K75		.. RIVNUT LH AND RH			02
90	MS21044N08		.. NUT LH AND RH			01
			—*—			
91	CC006		.. MOULDING-TRIM 172 FSO S3743-1	08984	& ON	NP R
- 91A	CC006		.. MOULDING-TRIM 172S FSO S3743-1	08705	& ON	NP R
- 91B	CC007		.. MOULDING-TRIM 172 FSO S3743-1	80001	80983	NP R
- 91C	CC007		.. MOULDING-TRIM 172S FSO S3743-1	08001	08704	NP R
- 91D	S3743-1		.. MOULDING-TRIM			AR R
- 92			.. CABIN DOOR INSTL REFER TO 52-10-00 FIGURE 01			RF

- ITEM NOT ILLUSTRATED

CESSNA AIRCRAFT COMPANY
MODEL 172 (SERIES 1996 AND ON)
ILLUSTRATED PARTS CATALOG

B246



DETAIL A

SKYLIGHT HEADLINER INSTALLATION
FIGURE 01 (SHEET 1)

0510T1007
A0518T1099

CESSNA AIRCRAFT COMPANY

MODEL 172 (SERIES 1996 AND ON)

ILLUSTRATED PARTS CATALOG

FIG ITEM	PART NUMBER	NOMENCLATURE	UNITS	
			PER	ASSY
01		SKYLIGHT HEADLINER INSTALLATION 172S		RF
-				
1	0519043-2	. MOLDED HEADLINER-SKYLIGHT UPHOLSTERY FSO 0519091-203	08002	08659 NP
- 1A	0519091-203	. MOLDED HEADLINER-SKYLIGHT UPHOLSTERY	08002	08659 01
- 1B	0519091-2	. MOLDED HEADLINER-SKYLIGHT UPHOLSTERY	09679	09686 01
2	0514064-4	. RETAINER	08002	08659 02
- 2A	0514064-5	. RETAINER	09679	09686 02
3	0511800-15	. CABIN TOP ASSY-SKYLIGHT 172	80606	80675 01
- 3A	0511800-15	. CABIN TOP ASSY-SKYLIGHT 172S	08002	08659 01
- 3B	0511800-15	. CABIN TOP ASSY-SKYLIGHT 172S	09679	10859 01
- 3C	0511800-19	. CABIN TOP ASSY-SKYLIGHT 172S	10886	11190 01
- 3D	0511800-22	. CABIN TOP ASSY-SKYLIGHT 172S FSO 0511800-24	11191	11575 NP R
- 3E	0511800-24	. CABIN TOP ASSY-SKYLIGHT 172S	11576	11576 01 R
- 3F	0511800-26	. CABIN TOP ASSY-SKYLIGHT 172S	11577	& ON 01 R
4	0511797-2	. WINDOW-SKYLIGHT		02
5	0414014-2	. BRACKET-172/172S	80606	80675 16 R
			08001	11445
			11466	11576
- 6	0411175-11	. STIFFENER		01
- 7	0411175-10	. STIFFENER		02
8	0411174-3	. FRAME		02
9	S1055-1	. CHANNEL-SKYLIGHT		02
- 10	0511798-3	. DAMPENER ASSY FSO 0511798-11 172	80606	80675 NP
- 10A	0511798-3	. DAMPENER ASSY FSO 0511798-11 172S	08002	08659 NP
- 10B	0511798-3	. DAMPENER ASSY FSO 0511798-11 172S	09679	09686 NP
- 10C	0511798-9	. DAMPENER ASSY FSO 0511798-11 172	81241	81544 NP
- 10D	0511798-9	. DAMPENER ASSY FSO 0511798-11 172S	09810	10793 NP
- 10E	0511798-11	. DAMPENER ASSY 172	81545	& ON 01
- 10F	0511798-11	. DAMPENER ASSY 172S	10794	& ON 01
- 11	NAS680A08	. NUTPLATE FSO MS21047L08		NP
- 11A	MS21047L08	. NUTPLATE		04
- 12	0511798-4	. DAMPENER ASSY FSO 0511798-8 172	80606	80675 NP
- 12A	0511798-4	. DAMPENER ASSY FSO 0511798-8 172S	08002	08659 NP
- 12B	0511798-4	. DAMPENER ASSY FSO 0511798-8 172S	09679	09686 NP
- 12C	0511798-8	. DAMPENER ASSY 172	81545	& ON 01
- 12D	0511798-8	. DAMPENER ASSY 172S	10794	& ON 01
- 13	NAS680A08	. NUTPLATE FSO MS21047L08		NP
- 13A	MS21047L08	. NUTPLATE		04
- 14	0511799-3	. GUSSET		01
15	0511800-9	. SKIN		01
- 16	0511827-1	. DOUBLER ASSY-TAS ANTENNA UPPER FSO 0511827-3	11191	11575 NP R
- 16A	0511827-3	. DOUBLER ASSY-TAS ANTENNA UPPER	11576	& ON 01 R

- ITEM NOT ILLUSTRATED

CHAPTER

57

WINGS

CESSNA AIRCRAFT COMPANY
MODEL 172 (SERIES 1996 AND ON)
 ILLUSTRATED PARTS CATALOG

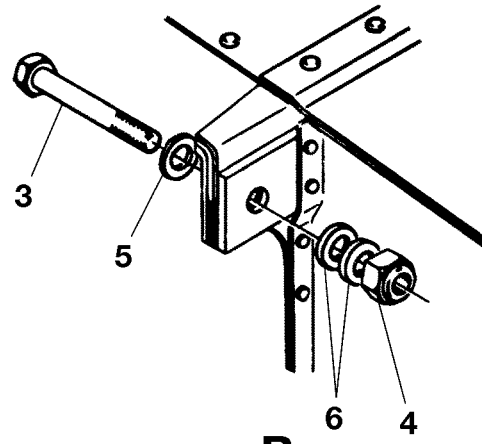
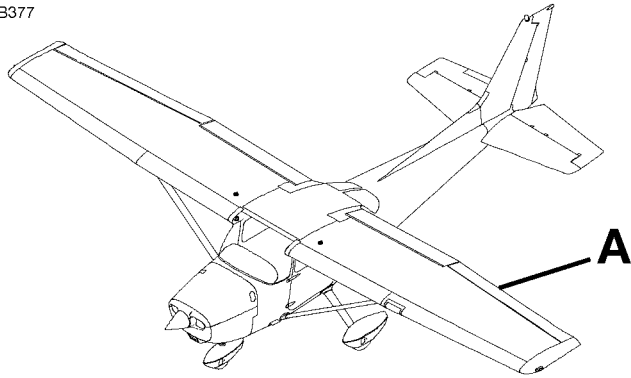
CHAPTER SECTION SUBJECT		NUMBER OF PAGES	DATE
57 - TITLE			
57 - LIST OF EFFECTIVE PAGES			
57 - RECORD OF TEMPORARY REVISIONS			
57 - TABLE OF CONTENTS			
57-00-00	Figure 01	4	Jul 1/2016
57-10-00	Figure 01	4	Jul 1/2016
57-10-01	Figure 01	2	Jul 1/2013
57-10-02	Figure 01	8	Jul 1/2016
57-10-03	Figure 01	2	Jul 1/2015
57-11-00	Figure 01	2	Jul 1/2016
57-40-00	Figure 01	2	Jul 1/2010
57-40-00	Figure 02	2	Jul 1/2013
57-40-00	Figure 03	2	Jan 1/2012
57-50-00	Figure 01	2	Jan 1/2012
57-60-00	Figure 01	2	Jan 1/2012

CESSNA AIRCRAFT COMPANY
MODEL 172 (SERIES 1996 AND ON)
 ILLUSTRATED PARTS CATALOG

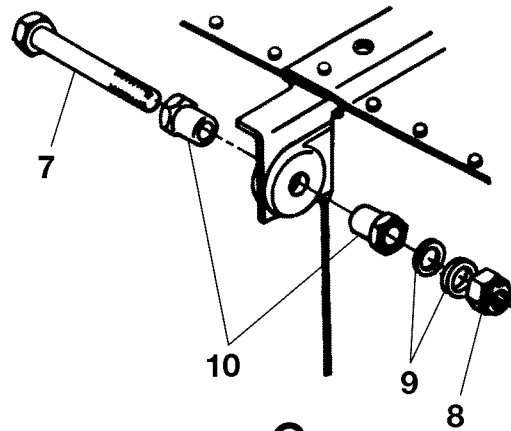
<u>SUBJECT</u>	<u>CHAPTER SECTION SUBJECT</u>	<u>FIGURE</u>	<u>EFFECTIVITY</u>	
			<u>START</u>	<u>END</u>
WING INSTALLATION	57-00-00	01		
WING STRUCTURE ASSEMBLY	57-10-00	01		
SPAR ASSEMBLIES - WING	57-10-01	01		
FUEL BAY STRUCTURE ASSEMBLY	57-10-02	01		
STRUT ASSEMBLY-WING	57-10-03	01		
SKINS AND STRINGERS INSTALLATION-WING	57-11-00	01		
LEADING EDGE ASSEMBLY - INBOARD WING	57-40-00	01		
LEADING EDGE ASSEMBLY - OUTBOARD WING	57-40-00	02	80001	81578
			08001	11085
LEADING EDGE ASSEMBLY - OUTBOARD WING	57-40-00	03	81579	& ON
			11086	& ON
FLAP INSTALLATION	57-50-00	01		
AILERON INSTALLATION	57-60-00	01		

CESSNA AIRCRAFT COMPANY
MODEL 172 (SERIES 1996 AND ON)
ILLUSTRATED PARTS CATALOG

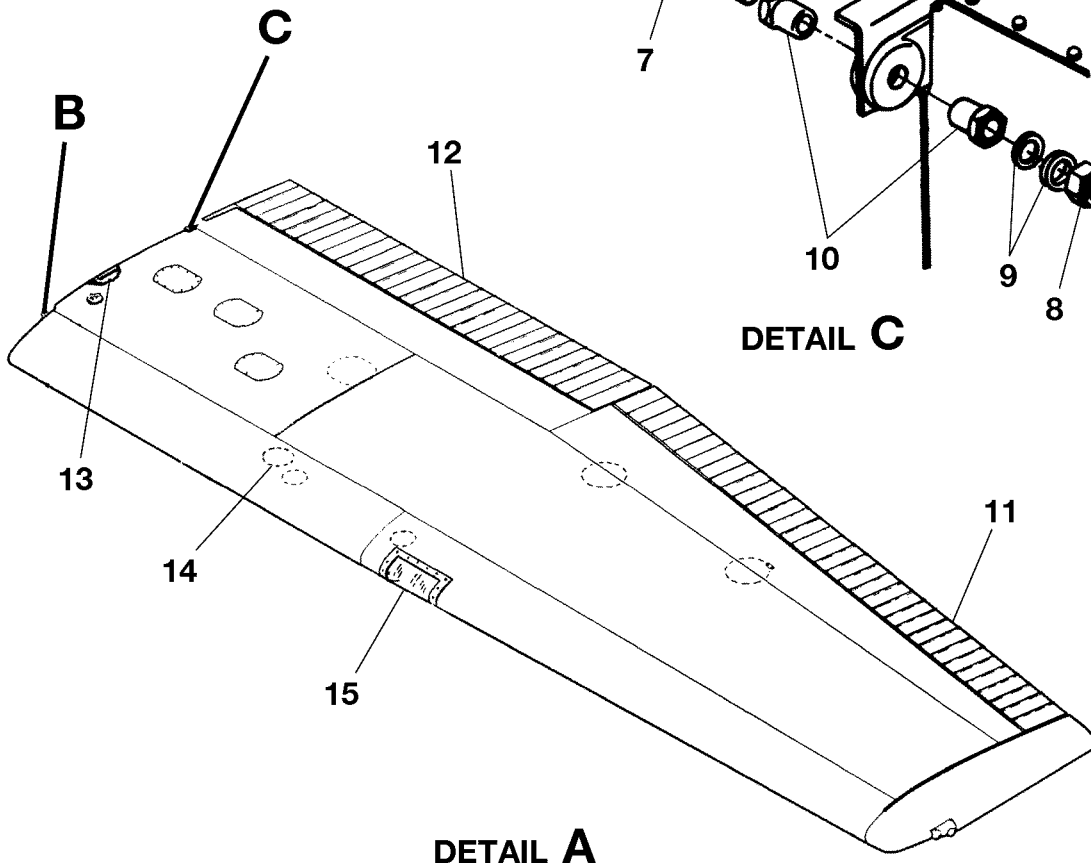
B377



DETAIL B



DETAIL C



DETAIL A

WING INSTALLATION
FIGURE 01 (SHEET 1)

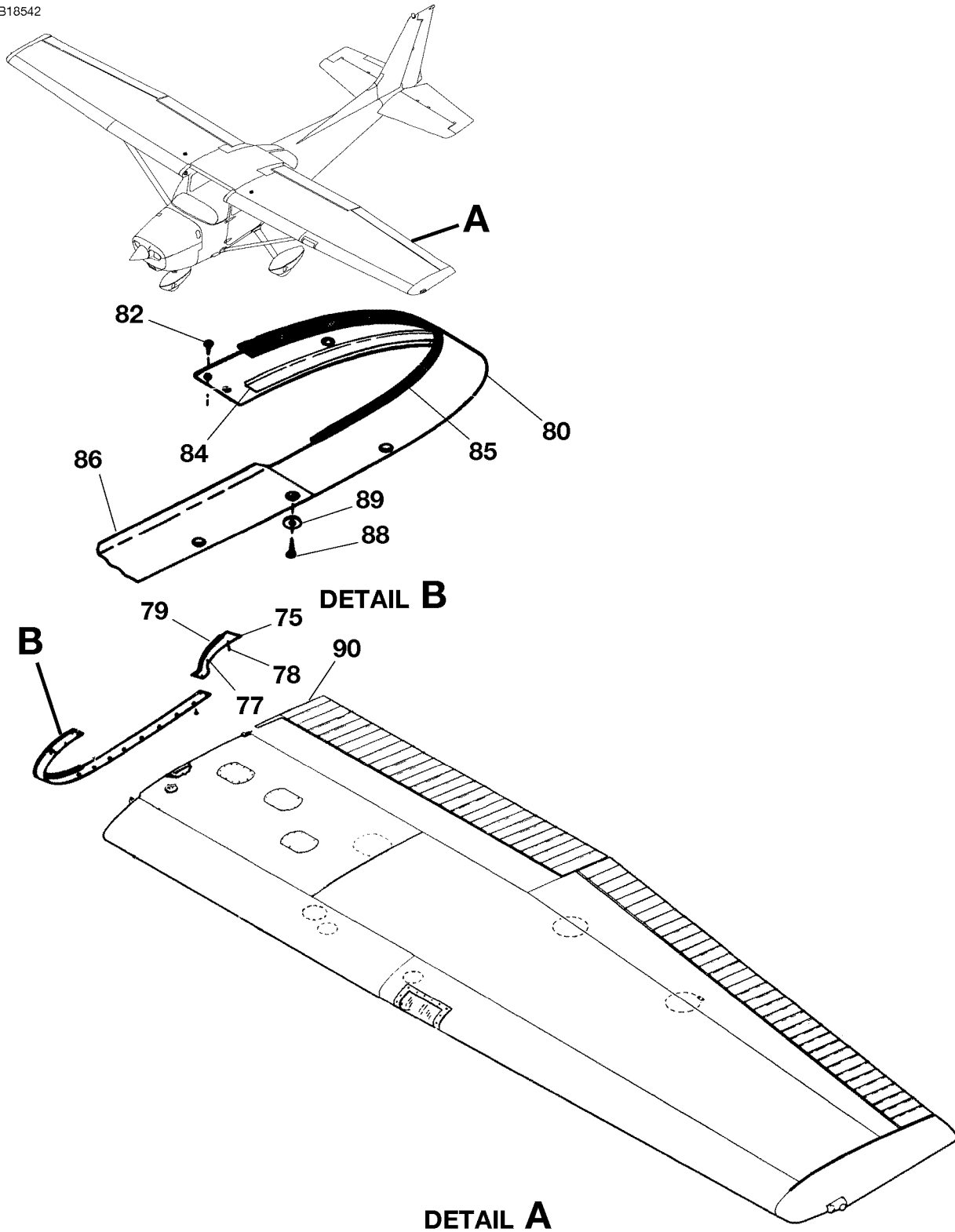
0510T1007
A0520T2001
B0520T1002
C0520T1003

CESSNA AIRCRAFT COMPANY
MODEL 172 (SERIES 1996 AND ON)
ILLUSTRATED PARTS CATALOG

FIG ITEM	PART NUMBER	NOMENCLATURE	UNITS PER ASSY
	1 2 3 4 5 6 7		
01		WING INSTALLATION	
-		. WING ASSEMBLY-LH 172	RF
- 1	0520018-9	. WING ASSEMBLY-LH 172S	80001 81496 01
- 1A	0520018-9	. WING ASSEMBLY-LH 172S	08001 10655 01
- 1B	0520018-11	. WING ASSEMBLY-LH 172	81497 81535 01
- 1C	0520018-11	. WING ASSEMBLY-LH 172S	10656 10770 01
- 1D	0520018-13	. WING ASSEMBLY-LH 172 FSO 0520018-17	81536 81567 NP
- 1E	0520018-13	. WING ASSEMBLY-LH 172S FSO 0520018-17	10771 11057 NP
- 1F	0520018-17	. WING ASSEMBLY-LH 172	81568 81577 01
- 1G	0520018-17	. WING ASSEMBLY-LH 172S	11058 11084 01
- 1H	0520018-23	. WING ASSEMBLY-LH 172	81578 81578 01
- 1J	0520018-23	. WING ASSEMBLY-LH 172S	11085 11085 01
- 1K	0520018-21	. WING ASSEMBLY-LH 172	81579 81602 01
- 1L	0520018-21	. WING ASSEMBLY-LH 172S	11086 11152 01
- 1M	0520018-25	. WING ASSEMBLY-LH 172 FSO 0520018-29	81603 81611 NP
- 1N	0520018-25	. WING ASSEMBLY-LH 172S FSO 0520018-29	11153 11183 NP
- 1O	0520018-29	. WING ASSEMBLY-LH 172	81612 & ON 01
- 1P	0520018-29	. WING ASSEMBLY-LH 172S	11184 11729 01 R
- 1Q	0520018-31	. WING ASSEMBLY-LH 172S	11730 & ON 01 R
- 2	0520018-10	. WING ASSEMBLY-RH 172	80001 81496 01
- 2A	0520018-10	. WING ASSEMBLY-RH 172S	08001 10655 01
- 2B	0520018-12	. WING ASSEMBLY-RH 172	81497 81535 01
- 2C	0520018-12	. WING ASSEMBLY-RH 172S	10656 10770 01
- 2D	0520018-14	. WING ASSEMBLY-RH 172 FSO 0520018-18	81536 81567 NP
- 2E	0520018-14	. WING ASSEMBLY-RH 172S FSO 0520018-18	10771 11057 NP
- 2F	0520018-18	. WING ASSEMBLY-RH 172	81568 81572 01
- 2G	0520018-18	. WING ASSEMBLY-RH 172S	11058 11071 01
- 2H	0520018-20	. WING ASSEMBLY-RH 172	81573 81577 01
- 2J	0520018-20	. WING ASSEMBLY-RH 172S	11072 11084 01
- 2K	0520018-24	. WING ASSEMBLY-RH 172	81578 81578 01
- 2L	0520018-24	. WING ASSEMBLY-RH 172S	11085 11085 01
- 2M	0520018-22	. WING ASSEMBLY-RH 172	81579 81602 01
- 2N	0520018-22	. WING ASSEMBLY-RH 172S	11086 11152 01
- 2O	0520018-26	. WING ASSEMBLY-RH 172 FSO 0520018-30	81603 81611 NP
- 2P	0520018-26	. WING ASSEMBLY-RH 172S FSO 0520018-30	11153 11183 NP
- 2Q	0520018-30	. WING ASSEMBLY-RH 172	81612 & ON 01
- 2R	0520018-30	. WING ASSEMBLY-RH 172S	11184 11729 01 R
- 2S	0520018-32	. WING ASSEMBLY-RH 172S	11730 & ON 01 R
		ATTACHING PARTS	
3	S3461-117	. BOLT	02
4	MS21044N8	. NUT	02
5	NAS1149F0832P	. WASHER ONE UNDER EACH BOLT HEAD	02
6	NAS1149F0863P	. WASHER TWO UNDER EACH NUT	04
7	S3461-107	. BOLT MPI FSO AN7-24A	NP
- 7A	AN7-24A	. BOLT	01
8	MS21044N7	. NUT	01
9	NAS1149F0763P	. WASHER	02
10	0512123-0	. BUSHING	02
		-----*	
11		. . AILERON INSTALATION REFER TO 57-60-00 FIGURE 01	RF
12		. . FLAP INSTALLATION REFER TO 57-50-00 FIGURE 01	RF
13		. . STRUCTURE ASSY-WING REFER TO 57-10-00 FIGURE 01	RF
14		. . COURTESY LIGHT REFER TO 33-44-00 FIGURE 01	RF
15		. . LANDING AND TAXI LIGHT INSTALLATION REFER TO 33-40-00 FIGURE 01	RF

CESSNA AIRCRAFT COMPANY
MODEL 172 (SERIES 1996 AND ON)
ILLUSTRATED PARTS CATALOG

B18542



DETAIL A

WING INSTALLATION
FIGURE 01 (SHEET 2)

0510T1007
B0520T1001

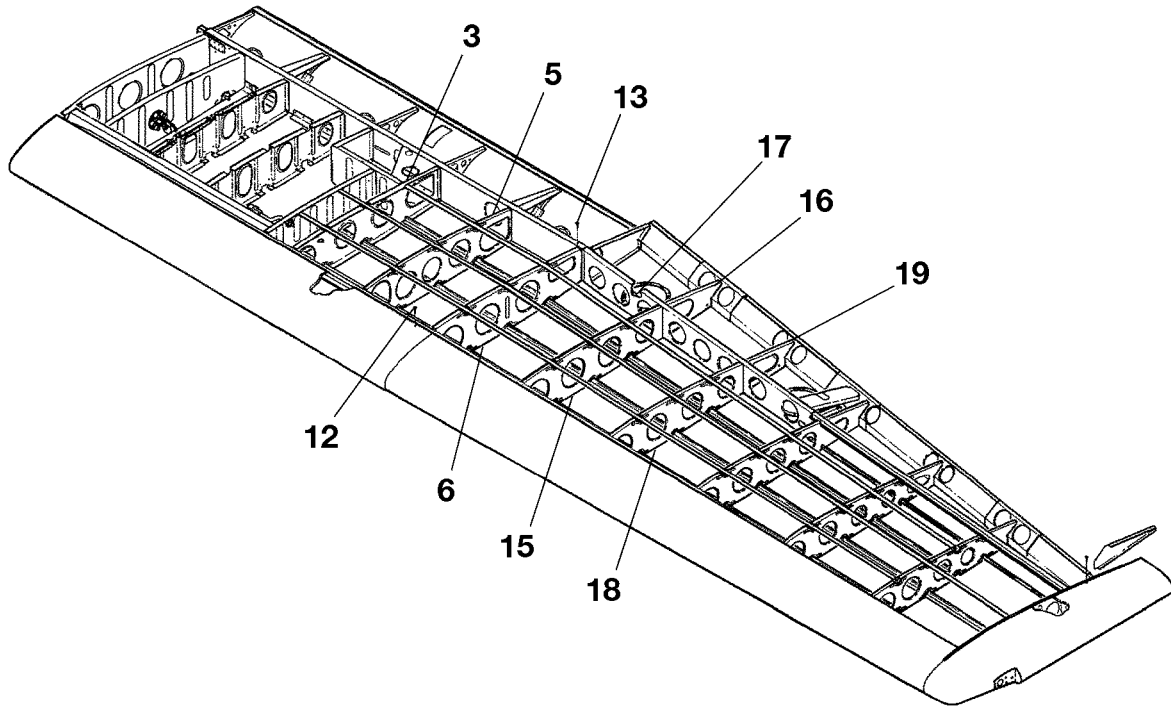
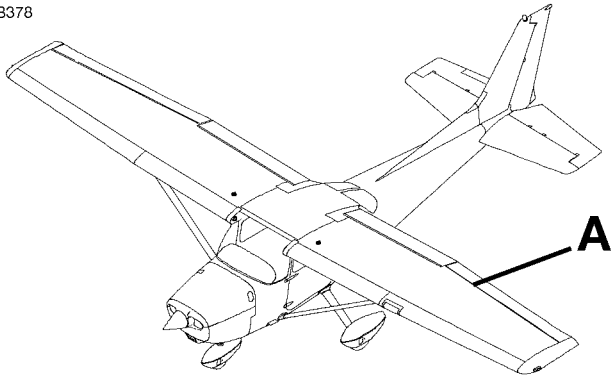
CESSNA AIRCRAFT COMPANY
MODEL 172 (SERIES 1996 AND ON)
ILLUSTRATED PARTS CATALOG

FIG ITEM	PART NUMBER	NOMENCLATURE	UNITS	
			PER	ASSY
01				
75	0520008-0	. FAIRING ASSY-WING REAR LOWER LH 172	80001	80888 01
- 75A	0520008-0	. FAIRING ASSY-WING REAR LOWER LH 172S	08001	08451 01
- 75B	0520008-9	. FAIRING ASSY-WING REAR LOWER LH 172	80889	& ON 01
- 75C	0520008-9	. FAIRING ASSY-WING REAR LOWER LH 172S	08452	& ON 01
- 76	0520008-1	. FAIRING ASSY-WING REAR LOWER RH 172	80001	80888 01
- 76A	0520008-1	. FAIRING ASSY-WING REAR LOWER RH 172S	08001	08451 01
- 76B	0520008-10	. FAIRING ASSY-WING REAR LOWER RH 172	80889	& ON 01
- 76C	0520008-10	. FAIRING ASSY-WING REAR LOWER RH 172S	08452	& ON 01
		ATTACHING PARTS		
77	S1021Z8-6	. SCREW		03
78	S1022Z8-6	. SCREW		01
79	0411875-12	. . MOULDING LH & RH		01
		—*—		
80	0520015-17	. FILLET ASSY-LH WING		01
- 81	0520015-18	. FILLET ASSY-RH WING		01
		ATTACHING PARTS		
82	S1022Z8-8	. SCREW		04
- 83	S290D832	. WASHER		03
		—*—		
84	0520005-3	. . RUB STRIP		01
85	S1078-1	. . SEAL BKI		AR
86	0520016-3	. FAIRING-LH		01
- 87	0520016-4	. FAIRING-RH		01
		ATTACHING PARTS		
88	S1022Z8-8	. SCREW		06
89	S290D832	. WASHER		06
		—*—		
90	S1093-1	. PLUG BUTTON		28
- 91	0528008-3	. CABLE ASSY-LH WING REFER TO WIRING DIAGRAM MANUAL 172	80984	& ON 01
- 91A	0528008-4	. CABLE ASSY-RH WING REFER TO WIRING DIAGRAM MANUAL 172S	08704	& ON 01
- 92		. FUEL FILLER REFER TO 28-10-01 FIGURE 01		RF
- 93		. NAV LIGHT REFER TO 33-40-00 FIGURE 02		RF
- 94		. FUEL BAY REFER TO 57-10-02 FIGURE 01		RF
- 95		. WING STRUCTURE REFER TO 57-10-00 FIGURE 01		RF

- ITEM NOT ILLUSTRATED

CESSNA AIRCRAFT COMPANY
MODEL 172 (SERIES 1996 AND ON)
ILLUSTRATED PARTS CATALOG

B378



DETAIL A

WING STRUCTURE ASSEMBLY
FIGURE 01 (SHEET 1)

0510T1007
A0522T1015

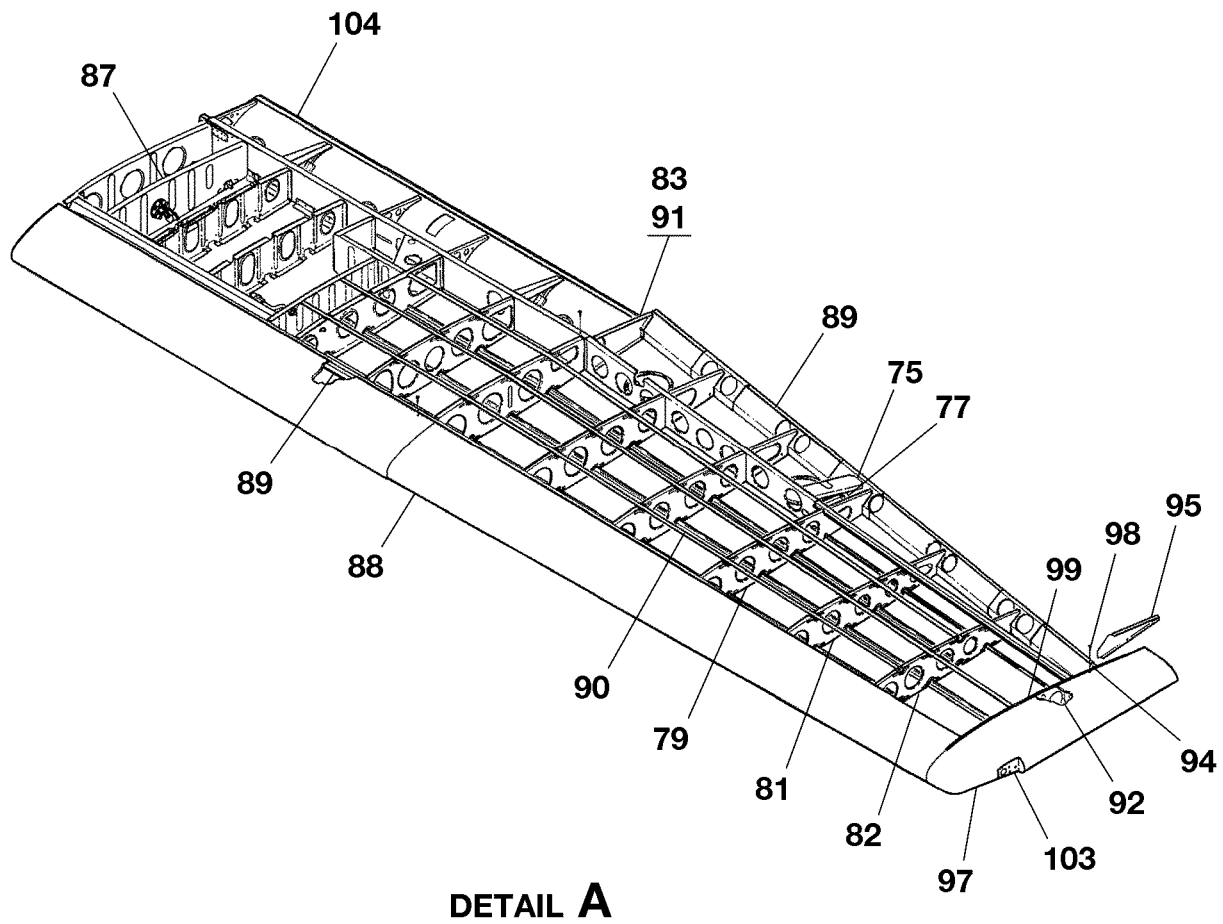
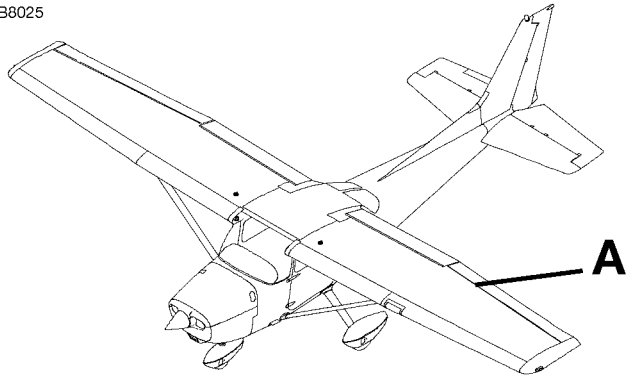
CESSNA AIRCRAFT COMPANY
MODEL 172 (SERIES 1996 AND ON)
ILLUSTRATED PARTS CATALOG

FIG ITEM	PART NUMBER	NOMENCLATURE	UNITS PER ASSY
	1 2 3 4 5 6 7		
01		WING STRUCTURE ASSEMBLY	RF
-			
- 1	0523080-21	. WING STRUCTURE ASSY-LH 172 FSO 0523080-201	80001 80888 NP
- 1A	0523080-21	. WING STRUCTURE ASSY-LH 172S FSO 0523080-201	08001 08451 NP
- 1B	0523080-23	. WING STRUCTURE ASSY-LH 172 FSO 0523080-201	80889 80958 NP
- 1C	0523080-23	. WING STRUCTURE ASSY-LH 172S FSO 0523080-201	08452 08615 NP
- 1D	0523080-25	. WING STRUCTURE ASSY-LH 172 FSO 0523080-201	80959 81496 01
- 1E	0523080-25	. WING STRUCTURE ASSY-LH 172S FSO 0523080-201	08616 10655 01
- 1F	0523080-33	. WING STRUCTURE ASSY-LH 172	81497 81535 01
- 1G	0523080-33	. WING STRUCTURE ASSY-LH 172S	10656 10770 01
- 1H	0523080-35	. WING STRUCTURE ASSY-LH 172 FSO 05230980-39	81536 81567 NP
- 1J	0523080-35	. WING STRUCTURE ASSY-LH 172S FSO 05230980-39	10771 11057 NP
- 1K	0523080-39	. WING STRUCTURE ASSY-LH 172	81568 81577 01
- 1L	0523080-39	. WING STRUCTURE ASSY-LH 172S	11058 11084 01
- 1M	0523080-45	. WING STRUCTURE ASSY-LH 172	81578 81578 01
- 1N	0523080-45	. WING STRUCTURE ASSY-LH 172S	11085 11085 01
- 1O	0523080-43	. WING STRUCTURE ASSY-LH 172	81579 81602 01
- 1P	0523080-43	. WING STRUCTURE ASSY-LH 172S	11086 11152 01
- 1Q	0523080-47	. WING STRUCTURE ASSY-LH 172 FSO 0523080-51	81603 81611 NP
- 1R	0523080-47	. WING STRUCTURE ASSY-LH 172S FSO 0523080-51	11153 11183 NP
- 1S	0523080-51	. WING STRUCTURE ASSY-LH 172	81612 & ON 01
- 1T	0523080-51	. WING STRUCTURE ASSY-LH 172S	11184 11729 01 R
- 1U	0523080-53	. WING STRUCTURE ASSY-LH 172S	11730 & ON 01 R
- 2	0523080-20	. WING STRUCTURE ASSY-RH 172 FSO 0523080-200	80001 80888 NP
- 2A	0523080-20	. WING STRUCTURE ASSY-RH 172S FSO 0523080-200	08001 08451 NP
- 2B	0523080-24	. WING STRUCTURE ASSY-RH 172 FSO 0523080-200	80889 80958 NP
- 2C	0523080-24	. WING STRUCTURE ASSY-RH 172S FSO 0523080-200	08452 08615 NP
- 2D	0523080-26	. WING STRUCTURE ASSY-RH 172 FSO 0523080-200	80959 81496 01
- 2E	0523080-26	. WING STRUCTURE ASSY-RH 172S FSO 0523080-200	08616 10655 01
- 2F	0523080-32	. WING STRUCTURE ASSY-RH 172	81497 81535 01
- 2G	0523080-32	. WING STRUCTURE ASSY-RH 172S	10656 10770 01
- 2H	0523080-34	. WING STRUCTURE ASSY-RH 172 FSO 0523080-38	81536 81567 NP
- 2J	0523080-34	. WING STRUCTURE ASSY-RH 172S FSO 0523080-38	10771 11057 NP
- 2K	0523080-38	. WING STRUCTURE ASSY-RH 172	81568 81572 01
- 2L	0523080-38	. WING STRUCTURE ASSY-RH 172S	11058 11071 01
- 2M	0523080-42	. WING STRUCTURE ASSY-RH 172	81573 81577 01
- 2N	0523080-42	. WING STRUCTURE ASSY-RH 172S	11072 11084 01
- 2O	0523080-46	. WING STRUCTURE ASSY-RH 172	81578 81578 01
- 2P	0523080-46	. WING STRUCTURE ASSY-RH 172S	11085 11085 01
- 2Q	0523080-44	. WING STRUCTURE ASSY-RH 172	81579 81602 01
- 2R	0523080-44	. WING STRUCTURE ASSY-RH 172S	11086 11152 01
- 2S	0523080-48	. WING STRUCTURE ASSY-RH 172 FSO 0523080-52	81603 81611 NP
- 2T	0523080-48	. WING STRUCTURE ASSY-RH 172S FSO 0523080-52	11153 11183 NP
- 2U	0523080-52	. WING STRUCTURE ASSY-RH 172	81612 & ON 01
- 2V	0523080-52	. WING STRUCTURE ASSY-RH 172S	11184 11729 01 R
- 2W	0523080-54	. WING STRUCTURE ASSY-RH 172S	11730 & ON 01 R
3	0523085-1	. RIB-LH WS 70.875	01
- 4	0523085-2	. RIB-RH WS 70.875	01
5	0523509-18	. RIB WS 85.375	01
6	0523510-19	. RIB ASSY-LH WS 100.00	01
- 7	0523510-20	. RIB ASSY-RH WS 100.00	01
- 8	0523510-21	. DOUBLER-LH	01
- 9	0523510-23	. RIB-LH	01
- 10	0523510-22	. DOUBLER-RH	01
- 11	0523510-24	. RIB-RH	01
12	AN525-10R11	. SCREW-FWD	01
13	AN525-10R6	. SCREW-AFT	01
- 14	MS21047L3	. NUTPLATE-AFT	01
15	0523511-14	. RIB WS 118.00	01
16	0523511-15	. RIB-TRAILING EDGE WS 118.00	01
17	0523408-0	. BRACKET-AILERON PULLEY	01
18	0523512-19	. RIB WS 136.00	01
19	0523512-22	. RIB-TRAILING EDGE WS 136.00	01

- ITEM NOT ILLUSTRATED

CESSNA AIRCRAFT COMPANY
MODEL 172 (SERIES 1996 AND ON)
ILLUSTRATED PARTS CATALOG

B8025



WING STRUCTURE ASSEMBLY
FIGURE 01 (SHEET 2)

0510T1007
A0522T1015

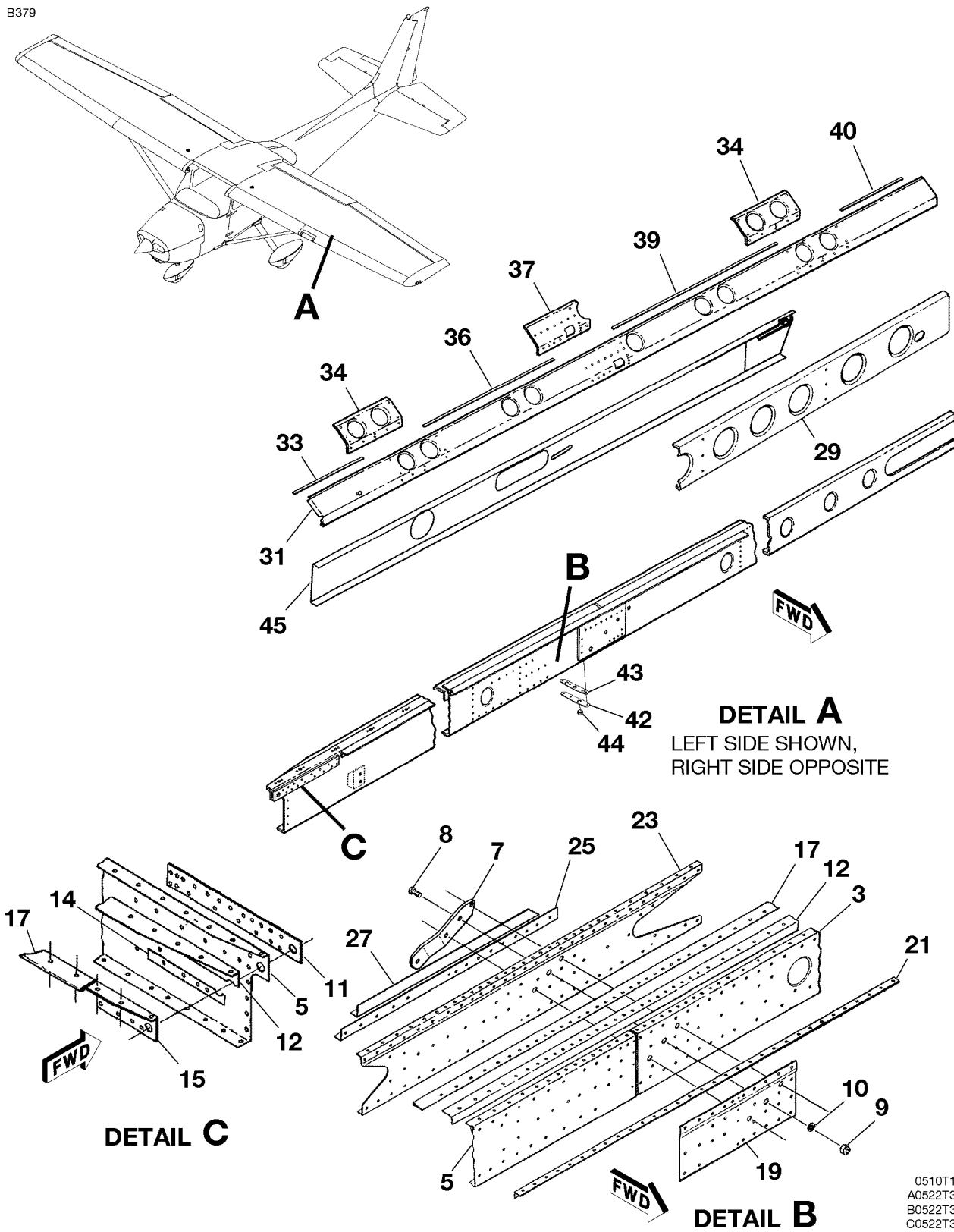
CESSNA AIRCRAFT COMPANY
MODEL 172 (SERIES 1996 AND ON)
ILLUSTRATED PARTS CATALOG

FIG ITEM	PART NUMBER	NOMENCLATURE	UNITS	
			PER	ASSY
		1 2 3 4 5 6 7		
01				
75	0523219-2	.. CHANNEL-LH UPPER AILERON BELLCRANK		01
- 76	0523219-3	.. CHANNEL-RH UPPER AILERON BELLCRANK		01
77	0523219-4	.. CHANNEL-LH LOWER AILERON BELLCRANK		01
- 78	0523219-5	.. CHANNEL-RH LOWER AILERON BELLCRANK		01
79	0523513-13	.. RIB-LH WS 154.00		01
- 80	0523513-14	.. RIB-RH WS 154.00		01
81	0523514-7	.. RIB WS 172.00		01
82	0523515-7	.. RIB WS 190.00		01
83	0523230-0	.. RIB ASSY-LH TRAILING EDGE WS 100.00		01
- 84	0523230-4	.. ANGLE-LH		01
- 85	0523230-1	.. RIB ASSY-RH TRAILING EDGE WS 100.00		01
- 86	0523230-5	.. ANGLE-RH		01
87		.. STRUCTURE ASSY-FUEL BAY REFER TO 57-10-02 FIGURE 01		RF
88		.. LEADING EDGE ASSY-WING REFER TO 57-40-00 FIGURE 01		RF
89		.. SPAR ASSY-WING REFER TO 57-10-01 FIGURE 01		RF
90		.. SKINS AND STRINGERS-WING REFER TO 57-11-00 FIGURE 01		RF
91		.. RUB STRIP AILERON REFER TO 22-10-00 FIGURE 01		RF
92	0722200-1	.. RIB ASSY-LH WS 208.00 172	80001	81495 01
- 92A	0722200-1	.. RIB ASSY-LH WS 208.00 172S	08001	10654 01
- 92B	0722200-23	.. RIB ASSY-LH WS 208.00 172	81496	& ON 01
- 92C	0722200-23	.. RIB ASSY-LH WS 208.00 172S	10655	& ON 01
- 93	0722200-2	.. RIB ASSY-RH WS 208.00 172	80001	81495 01
- 93A	0722200-2	.. RIB ASSY-RH WS 208.00 172S	08001	10654 01
- 93B	0722200-24	.. RIB ASSY-RH WS 208.00 172	81496	& ON 01
- 93C	0722200-24	.. RIB ASSY-RH WS 208.00 172S	10655	& ON 01
94	MS21059L08K	.. NUTPLATE		12
95	0721107-1	.. FAIRING-LH WS 208.00 FSO 0721403-1 172	80001	81378 NP
- 95A	0721107-1	.. FAIRING-LH WS 208.00 FSO 0721403-1 172S	08001	10466 NP
- 95B	0721403-1	.. FAIRING-LH WS 208.00 172	81379	81495 01
- 95C	0721403-1	.. FAIRING-LH WS 208.00 172S	10467	10654 01
- 95D	0721403-3	.. FAIRING-LH WS 208.00 172	81496	& ON 01
- 95E	0721403-3	.. FAIRING-LH WS 208.00 172S	10655	& ON 01
- 96	0721107-2	.. FAIRING-RH WS 208.00 FSO 0721403-2 172	80001	81378 NP
- 96A	0721107-2	.. FAIRING-RH WS 208.00 FSO 0721403-2 172S	08001	10466 NP
- 96B	0721403-2	.. FAIRING-RH WS 208.00 172	81379	81495 01
- 96C	0721403-2	.. FAIRING-RH WS 208.00 172S	10467	10654 01
- 96D	0721403-4	.. FAIRING-RH WS 208.00 172	81496	& ON 01
- 96E	0721403-4	.. FAIRING-RH WS 208.00 172S	10655	& ON 01
97		.. WING TIP ASSEMBLY REFER TO 33-40-00 FIGURE 02		RF
		.. ATTACHING PARTS		
98	AN525-832R8	.. SCREW		12
		.. *		
99	0523565-21	.. STIFFENER-UPPER LH AND LOWER RH 172 FSO 0723629-4	80001	81359 NP
- 99A	0523565-21	.. STIFFENER-UPPER LH AND LOWER RH 172S FSO 0723629-4	08001	10427 NP
- 99B	0723629-4	.. STIFFENER-UPPER LH AND LOWER RH 172	81496	& ON 02
- 99C	0723629-4	.. STIFFENER-UPPER LH AND LOWER RH 172S	10655	& ON 02
- 100	0523565-22	.. STIFFENER-UPPER RH AND LOWER LH 172 FSO 0723629-4	80001	81359 NP
- 100A	0523565-22	.. STIFFENER-UPPER RH AND LOWER LH 172S FSO 0723629-4	08001	10427 NP
- 100B	0723629-4	.. STIFFENER-UPPER RH AND LOWER LH 172	81496	& ON 02
- 100C	0723629-4	.. STIFFENER-UPPER RH AND LOWER LH 172S	10655	& ON 02
- 101	MS21044N3	.. NUT REFER TO NOTE 1		24
- 102	MS21042L3	.. NUT REFER TO NOTE 1		02
103		.. NAV LIGHTS REFER TO 33-40-00 FIGURE 02		RF
104		.. FUEL BAY REFER TO 57-10-02 FIGURE 01		RF

NOTE 1—AIRPLANES 17280228 THRU 17281236 AND AIRPLANES 172S9723 THRU 172S9772, 172S9774, 172S9776, 172S9779 THRU 172S9781 AND 172S9786 INCORPORATING SB05-57-01.

CESSNA AIRCRAFT COMPANY
MODEL 172 (SERIES 1996 AND ON)
 ILLUSTRATED PARTS CATALOG

B379



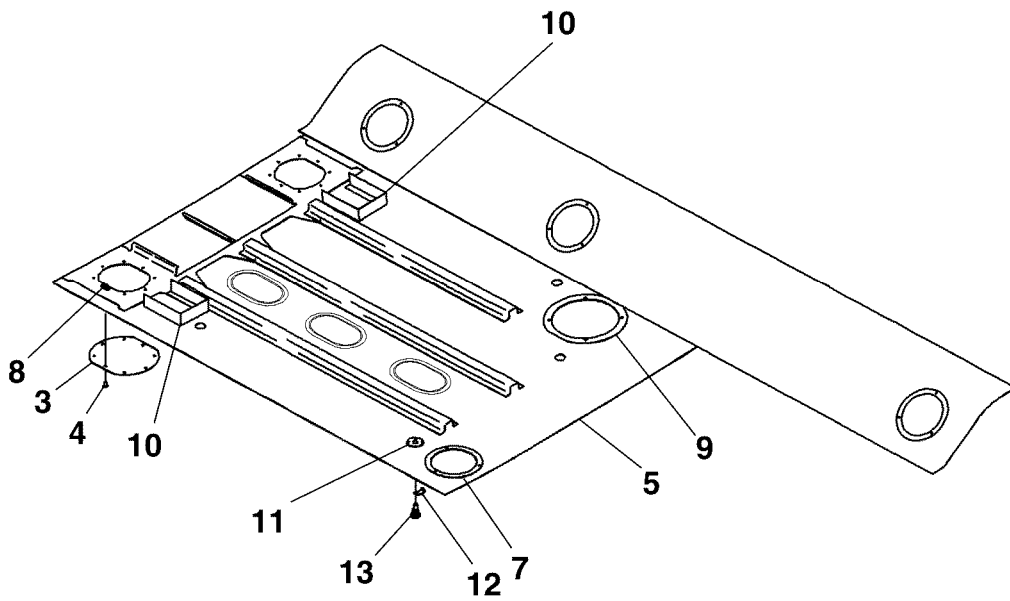
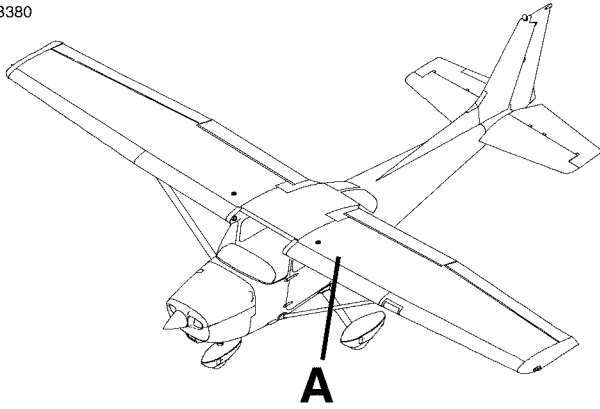
0510T1007
 A0522T3002
 B0522T3002
 C0522T3002

CESSNA AIRCRAFT COMPANY
MODEL 172 (SERIES 1996 AND ON)
ILLUSTRATED PARTS CATALOG

FIG ITEM	PART NUMBER	NOMENCLATURE	UNITS
			PER ASSY
01		SPAR ASSEMBLIES - WING	RF
- 1	0523018-13	. SPAR ASSY-LH FWD WING	01
- 2	0523018-14	. SPAR ASSY-RH FWD WING	01
3	0523015-1	. . CHANNEL ASSY-LH OUTBOARD SPAR	01
- 4	0523015-2	. . CHANNEL ASSY-RH OUTBOARD SPAR	01
5	0523014-13	. . CHANNEL ASSY-LH INBOARD SPAR	01
- 6	0523014-14	. . CHANNEL ASSY-RH INBOARD SPAR	01
7	0523306-0	. . FITTING-STRUT ATTACHMENT	01
		ATTACHING PARTS	
8	AN5-6A	. . BOLT	03
9	MS21042L5	. . NUT	03
10	NAS1149F0563P	. . WASHER	03
		PLATE	
11	0523016-2	. . PLATE	01
12	0523020-9	. . SPAR ANGLE-LH	01
- 13	0523020-10	. . SPAR ANGLE-RH	01
14	0523019-1	. . SPACER	01
15	0523017-3	. . SPAR ANGLE-LH	01
- 16	0523017-4	. . SPAR ANGLE-RH	01
17	0523021-9	. . PLATE-LH	01
- 18	0523021-10	. . PLATE-RH	01
19	0422412-1	. . PLATE-LH	01
- 20	0422412-2	. . PLATE-RH	01
21	0523022-1	. . STIFFENER-LH	01
- 22	0523022-2	. . STIFFENER-RH	01
23	0422414-1	. . CHANNEL-LH	01
- 24	0422414-2	. . CHANNEL-RH	01
25	0422411-1	. . SPLICE-LH	01
- 26	0422411-2	. . SPLICE-RH	01
27	0422406-1	. . STIFFENER-LH	01
- 28	0422406-2	. . STIFFENER-RH	01
29	0523406-5	. . CHANNEL-LH OUTBOARD	01 R
- 30	0523406-4	. . CHANNEL-RH OUTBOARD	01 R
31	0523040-1	. . SPAR-LH AILERON AUXILIARY	01 R
- 32	0523040-2	. . SPAR-RH AILERON AUXILIARY	01 R
33	0523037-4	. . SPACER	02 R
34	0523043-1	. . REINFORCEMENT-LH	02 R
- 35	0523043-2	. . REINFORCEMENT-RH	02 R
36	0523037-3	. . SPACER	01 R
37	0523044-1	. . REINFORCEMENT-LH	01 R
- 38	0523044-2	. . REINFORCEMENT-RH	01 R
39	0523037-2	. . SPACER	01 R
40	0523037-1	. . SPACER	01 R
- 41	0722207-1	. . JACK POINT ASSY	01 R
42	0722207-2	. . JACK POINT PLATE	01 R
43	0722207-3	. . JACK POINT PAD	01 R
44	1200026-3	. . BOSS	01 R
45		. . SPAR ASSY-AFT INBOARD REFER TO 57-10-02 FIGURE 01	RF R

CESSNA AIRCRAFT COMPANY
MODEL 172 (SERIES 1996 AND ON)
ILLUSTRATED PARTS CATALOG

B380



DETAIL A

FUEL BAY STRUCTURE ASSEMBLY
FIGURE 01 (SHEET 1)

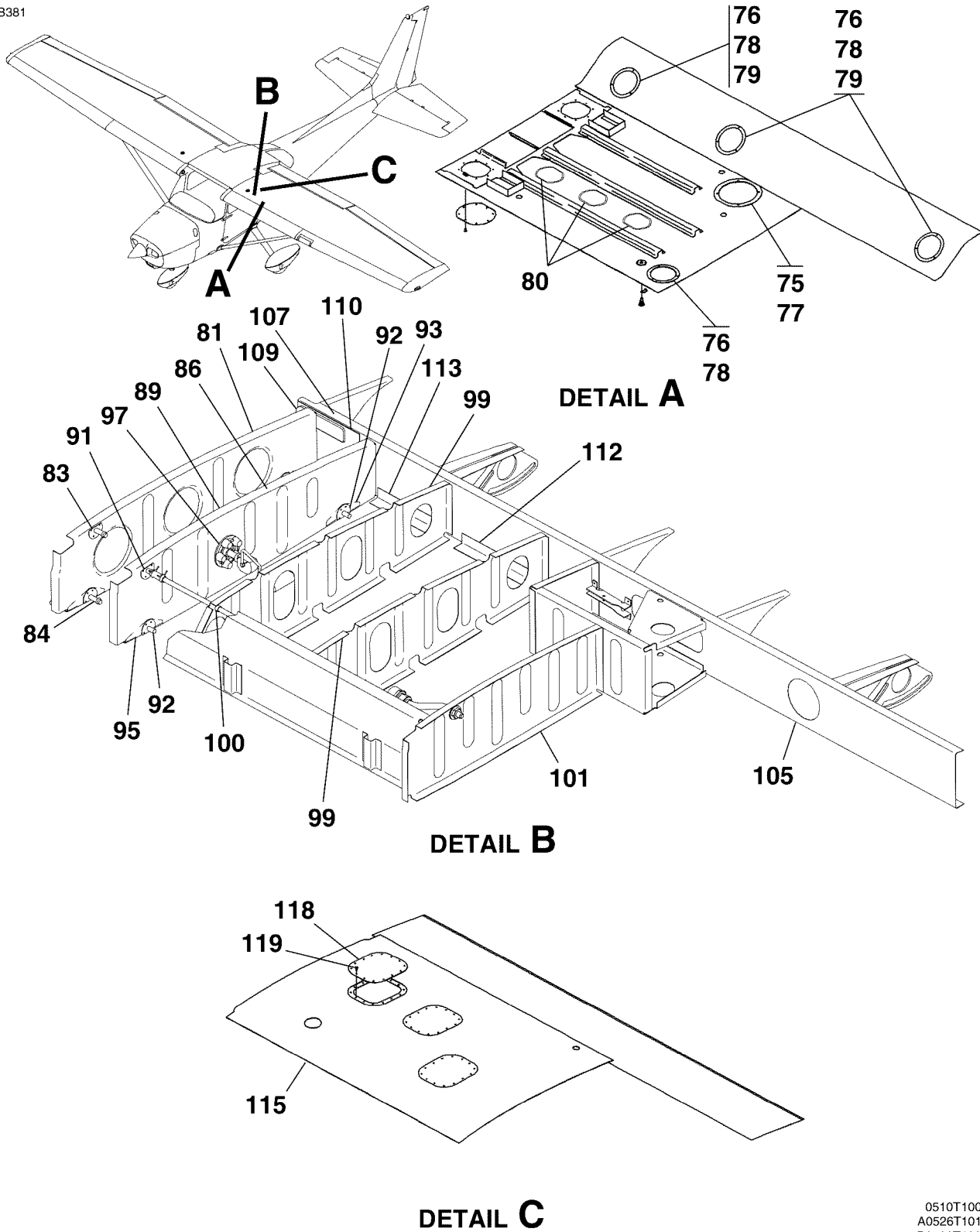
0510T1007
A0526T1011

CESSNA AIRCRAFT COMPANY
MODEL 172 (SERIES 1996 AND ON)
ILLUSTRATED PARTS CATALOG

FIG ITEM	PART NUMBER	NOMENCLATURE	UNITS PER ASSY	
	1 2 3 4 5 6 7			
01		FUEL BAY STRUCTURE ASSEMBLY		RF
-				
- 1	0522644-1	. STRUCTURE ASSY-LH FUEL BAY 172 FSO 0522644-3	80001	80888 NP
- 1A	0522644-1	. STRUCTURE ASSY-LH FUEL BAY 172S FSO 0522644-3	08001	08451 NP
- 1B	0522644-3	. STRUCTURE ASSY-LH FUEL BAY 172	80889	80958 01
- 1C	0522644-3	. STRUCTURE ASSY-LH FUEL BAY 172S	08452	08615 01
- 1D	0522644-9	. STRUCTURE ASSY-LH FUEL BAY 172	80959	81496 01
- 1E	0522644-9	. STRUCTURE ASSY-LH FUEL BAY 172S	08616	10655 01
- 1F	0522644-15	. STRUCTURE ASSY-LH FUEL BAY 172	81497	81535 01
- 1G	0522644-15	. STRUCTURE ASSY-LH FUEL BAY 172S	10656	10770 01
- 1H	0522644-17	. STRUCTURE ASSY-LH FUEL BAY 172	81536	81567 01
- 1J	0522644-17	. STRUCTURE ASSY-LH FUEL BAY 172S	10771	11057 01
- 1K	0522653-1	. STRUCTURE ASSY-LH FUEL BAY 172	81568	81577 01
- 1L	0522653-1	. STRUCTURE ASSY-LH FUEL BAY 172S	11058	11084 01
- 1M	0522653-3	. STRUCTURE ASSY-LH FUEL BAY 172	81578	81602 01
- 1N	0522653-3	. STRUCTURE ASSY-LH FUEL BAY 172S	11085	11152 01
- 1P	0522653-5	. STRUCTURE ASSY-LH FUEL BAY 172 FSO 0522653-9	81603	81611 NP
- 1Q	0522653-5	. STRUCTURE ASSY-LH FUEL BAY 172S FSO 0522653-9	11153	11183 NP
- 1R	0522653-9	. STRUCTURE ASSY-LH FUEL BAY 172	81612	& ON 01
- 1S	0522653-9	. STRUCTURE ASSY-LH FUEL BAY 172S	11184	11729 01 R
- 1T	0522653-11	. STRUCTURE ASSY-LH FUEL BAY 172S	11730	& ON 01 R
- 2	0522644-2	. STRUCTURE ASSY-RH FUEL BAY 172 FSO 0522644-4	80001	80888 NP
- 2A	0522644-2	. STRUCTURE ASSY-RH FUEL BAY 172S FSO 0522644-4	08001	08451 NP
- 2B	0522644-4	. STRUCTURE ASSY-RH FUEL BAY	80889	80958 01
- 2C	0522644-4	. STRUCTURE ASSY-RH FUEL BAY	08452	08615 01
- 2D	0522644-10	. STRUCTURE ASSY-RH FUEL BAY 172	80959	81496 01
- 2E	0522644-10	. STRUCTURE ASSY-RH FUEL BAY 172S	08616	10655 01
- 2F	0522644-16	. STRUCTURE ASSY-RH FUEL BAY 172	81497	81535 01
- 2G	0522644-16	. STRUCTURE ASSY-RH FUEL BAY 172S	10656	10770 01
- 2H	0522644-18	. STRUCTURE ASSY-RH FUEL BAY 172	81536	81567 01
- 2J	0522644-18	. STRUCTURE ASSY-RH FUEL BAY 172S	10771	11057 01
- 2K	0522653-2	. STRUCTURE ASSY-RH FUEL BAY 172	81568	81577 01
- 2L	0522653-2	. STRUCTURE ASSY-RH FUEL BAY 172S	11058	11084 01
- 2M	0522653-4	. STRUCTURE ASSY-RH FUEL BAY 172	81578	81602 01
- 2N	0522653-4	. STRUCTURE ASSY-RH FUEL BAY 172S	11085	11152 01
- 2P	0522653-6	. STRUCTURE ASSY-RH FUEL BAY 172 FSO 0522653-10	81603	81611 NP
- 2Q	0522653-6	. STRUCTURE ASSY-RH FUEL BAY 172S FSO 0522653-10	11153	11183 NP
- 2R	0522653-10	. STRUCTURE ASSY-RH FUEL BAY 172	81612	& ON 01
- 2S	0522653-10	. STRUCTURE ASSY-RH FUEL BAY 172S	11184	11729 01 R
- 2T	0522653-12	. STRUCTURE ASSY-RH FUEL BAY 172S	11730	& ON 01 R
3	0522641-1	. COVER-FUEL BAY		02
		ATTACHING PARTS		
4	AN525-10R7	. SCREW		16 R
		—*—		
5	0522645-1	. SKIN ASSY-LH LOWER 172	80001	81567 01
- 5A	0522645-1	. SKIN ASSY-LH LOWER 172S	08001	11057 01
- 5B	0522651-1	. SKIN ASSY-LH LOWER 172	81568	& ON 01
- 5C	0522651-1	. SKIN ASSY-LH LOWER 172S	11058	11729 01 R
- 5D	0522645-1	. SKIN ASSY-LH LOWER 172S	11730	& ON 01 R
- 6	0522645-2	. SKIN ASSY-RH LOWER 172	80001	81567 01
- 6A	0522645-2	. SKIN ASSY-RH LOWER 172S	08001	11057 01 R
			11730	& ON
- 6B	0522651-2	. SKIN ASSY-RH LOWER 172	81568	& ON 01
- 6C	0522651-2	. SKIN ASSY-RH LOWER 172S	11058	11729 01 R
7	S237-9	. DOUBLER ASSY-LH		01
8	MS21047L3	. NUTPLATE		16
9	S330-2	. DOUBLER ASSY		01
10	0726031-1	. BAFFLE		02
11	1726048-2	. BOSS		05
12	1726049-1	. CLIP		05
13	S2020-2	. VALVE-FUEL BAY DRAIN FSO S2020-3		NP
- 13A	S2020-3	. VALVE-FUEL BAY DRAIN		05

CESSNA AIRCRAFT COMPANY
MODEL 172 (SERIES 1996 AND ON)
 ILLUSTRATED PARTS CATALOG

B381



FUEL BAY STRUCTURE ASSEMBLY
 FIGURE 01 (SHEET 2)

0510T1007
 A0526T1011
 B0526T1009
 C0526T1010

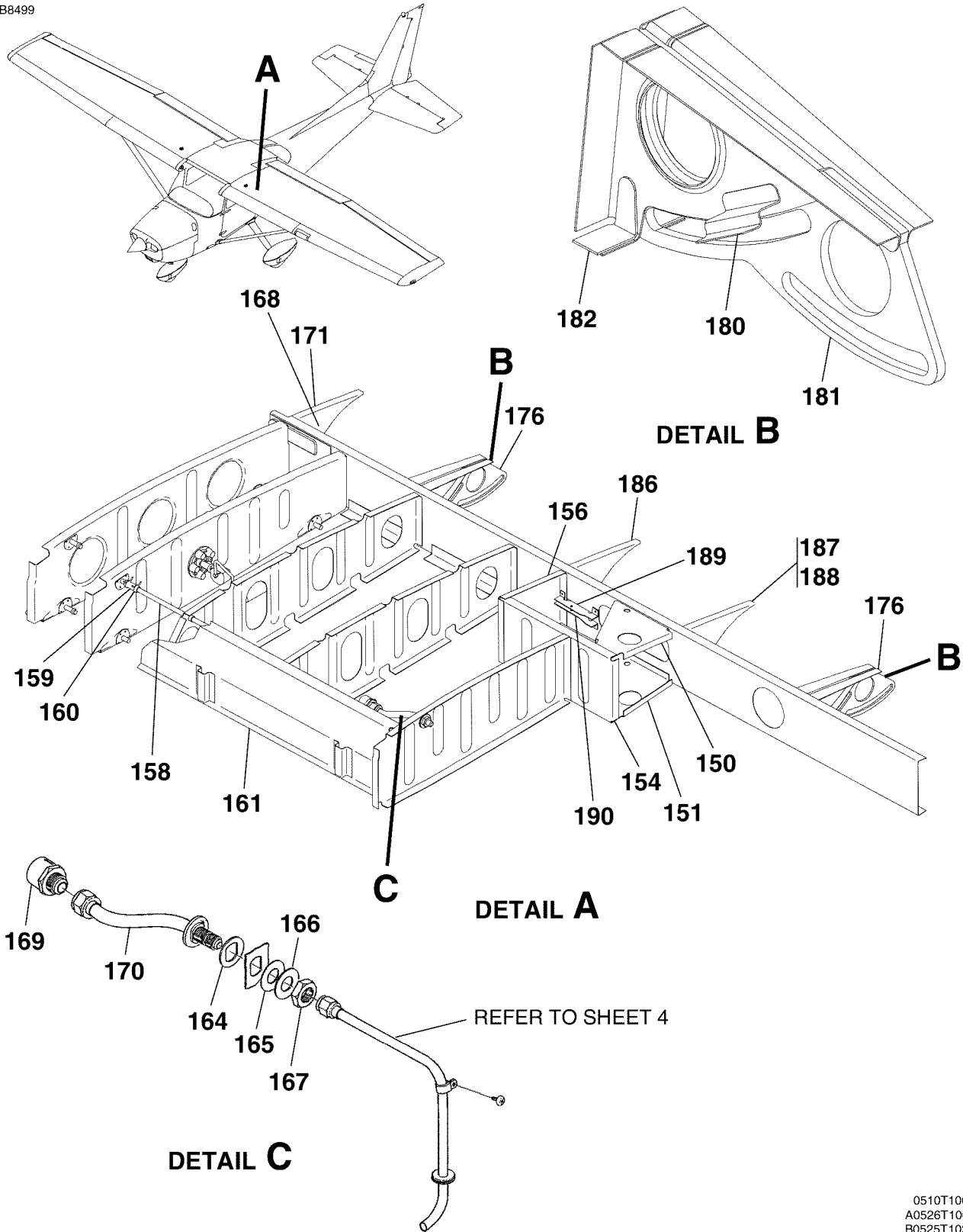
CESSNA AIRCRAFT COMPANY
MODEL 172 (SERIES 1996 AND ON)
ILLUSTRATED PARTS CATALOG

FIG ITEM	PART NUMBER	1 2 3 4 5 6 7	NOMENCLATURE	UNITS	
				PER	ASSY
01					
75	S225-4F		PLATE		01
76	S225-1		PLATE REFER TO NOTE 1		04
77	S1021Z8-8		SCREW		06
78	S1021Z8-8		SCREW REFER TO NOTE 1		04
79	S237-2P		DOUBLER ASSY REFER TO NOTE 1		04
80	0522652-1		DOUBLER-FUEL BAY 172	81568 & ON	03
- 80A	0522652-1		DOUBLER-FUEL BAY 172S	11058 & ON	03
81	0522638-1		RIB ASSY-LH WS 23.625		01
- 82	0522638-2		RIB ASSY-RH WS 23.625		01
83	0726012-10		WELD ASSY-FUEL STRAINER		02
84	0726012-11		WELD ASSY-LH FUEL STRAINER		01
- 85	0726012-12		WELD ASSY-RH FUEL STRAINER		01
86	0523083-5		DOUBLER-LH		01
- 87	0523083-6		DOUBLER-RH		01
- 88	S3241-3A		NUTPLATE		06
89	0522639-1		RIB ASSY-LH WS 31.38 172	80001 81535	01
- 89A	0522639-1		RIB ASSY-LH WS 31.38 172S	08001 10770	01
- 89B	0522639-9		RIB ASSY-LH WS 31.38 172	81536 & ON	01
- 89C	0522639-9		RIB ASSY-LH WS 31.38 172S	10771 11729	01 R
- 89D	0522639-13		RIB ASSY-LH WS 31.38 172S	11730 & ON	01 R
- 90	0522639-2		RIB ASSY-RH WS 31.38 172	80001 81535	01
- 90A	0522639-2		RIB ASSY-RH WS 31.38 172S	08001 10770	01
- 90B	0522639-10		RIB ASSY-RH WS 31.38 172	81536 & ON	01
- 90C	0522639-10		RIB ASSY-RH WS 31.38 172S	10771 11729	01 R
- 90D	0522639-14		RIB ASSY-RH WS 31.38 172S	11730 & ON	01 R
91	0726012-10		WELD ASSY-FUEL STRAINER		01
92	0726012-1		STRAINER ASSY-FUEL		02
93	0522639-5		DOUBLER-LH		01
- 94	0522639-6		DOUBLER-RH		01
95	0522639-7		DOUBLER-LH		01
- 95A	0522639-7		DOUBLER-LH 172S	08001 11729	01 R
- 95B	0522639-19		DOUBLER-LH BOTTOM 172S	11730 & ON	01 R
- 95C	0522639-17		DOUBLER-LH TOP 172S	11730 & ON	01 R
- 96	0522639-8		DOUBLER-RH		01
- 96A	0522639-8		DOUBLER-RH 172S	08001 11729	01 R
- 96B	0522639-20		DOUBLER-RH BOTTOM 172S	11730 & ON	01 R
97	1716008-1		NUT RING		01
- 98	S4121-1		FLANGE 172	81536 & ON	01
- 98A	S4121-1		FLANGE 172S	10771 11729	01 R
99	0523082-1		RIB WS 40.08 & WS 51.50		02
100	S3134-22		FERRULE		02
101	0523089-1		RIB-LH WS 65.125		01
- 102	0523089-2		RIB-RH WS 65.125		01
- 103	0523096-5		SPAR ASSY-INBOARD AFT LH		01
- 104	0523096-6		SPAR ASSY-INBOARD AFT RH		01
105	0523096-7		CHANNEL-LH		01
- 106	0523096-8		CHANNEL-RH		01
107	0523046-5		STIFFENER-LH		01
- 108	0523046-6		STIFFENER-RH		01
109	0422229-16		FITTING		02
110	0523042-1		DOUBLER		01
- 111	0523409-0		CHANNEL		01
112	0726028-1		STIFFENER		01
113	0726028-5		STIFFENER-LH		01
- 114	0726028-4		STIFFENER-RH		01
115	0522643-1		SKIN ASSY-LH UPPER 172	80001 81535	01
- 115A	0522643-1		SKIN ASSY-LH UPPER 172S	08001 10770	01
- 115B	0522643-7		SKIN ASSY-LH UPPER 172	81536 & ON	01
- 115C	0522643-7		SKIN ASSY-LH UPPER 172S	10771 & ON	01
- 116	0522643-2		SKIN ASSY-RH UPPER 172	80001 81535	01
- 116A	0522643-2		SKIN ASSY-RH UPPER 172S	08001 10770	01
- 116B	0522643-8		SKIN ASSY-RH UPPER 172	81536 & ON	01
- 116C	0522643-8		SKIN ASSY-RH UPPER 172S	10771 & ON	01
- 117	MS21047L3		NUTPLATE		42
118	0522641-2		COVER-FUEL BAY		03
119	AN525-10R7		SCREW-COVER ATTACH		42
- 120	0522639-18		DOUBLER-RH TOP 172S	11730 & ON	01 R

NOTE 1—AIRPLANES 17280001 THRU 17281577 AND AIRPLANES 172S08001 THRU 172S11084 INCORPORATING MK172-27-02

CESSNA AIRCRAFT COMPANY
MODEL 172 (SERIES 1996 AND ON)
 ILLUSTRATED PARTS CATALOG

B8499



FUEL BAY STRUCTURE ASSEMBLY
 FIGURE 01 (SHEET 3)

0510T1007
 A0526T1009
 B0525T1020

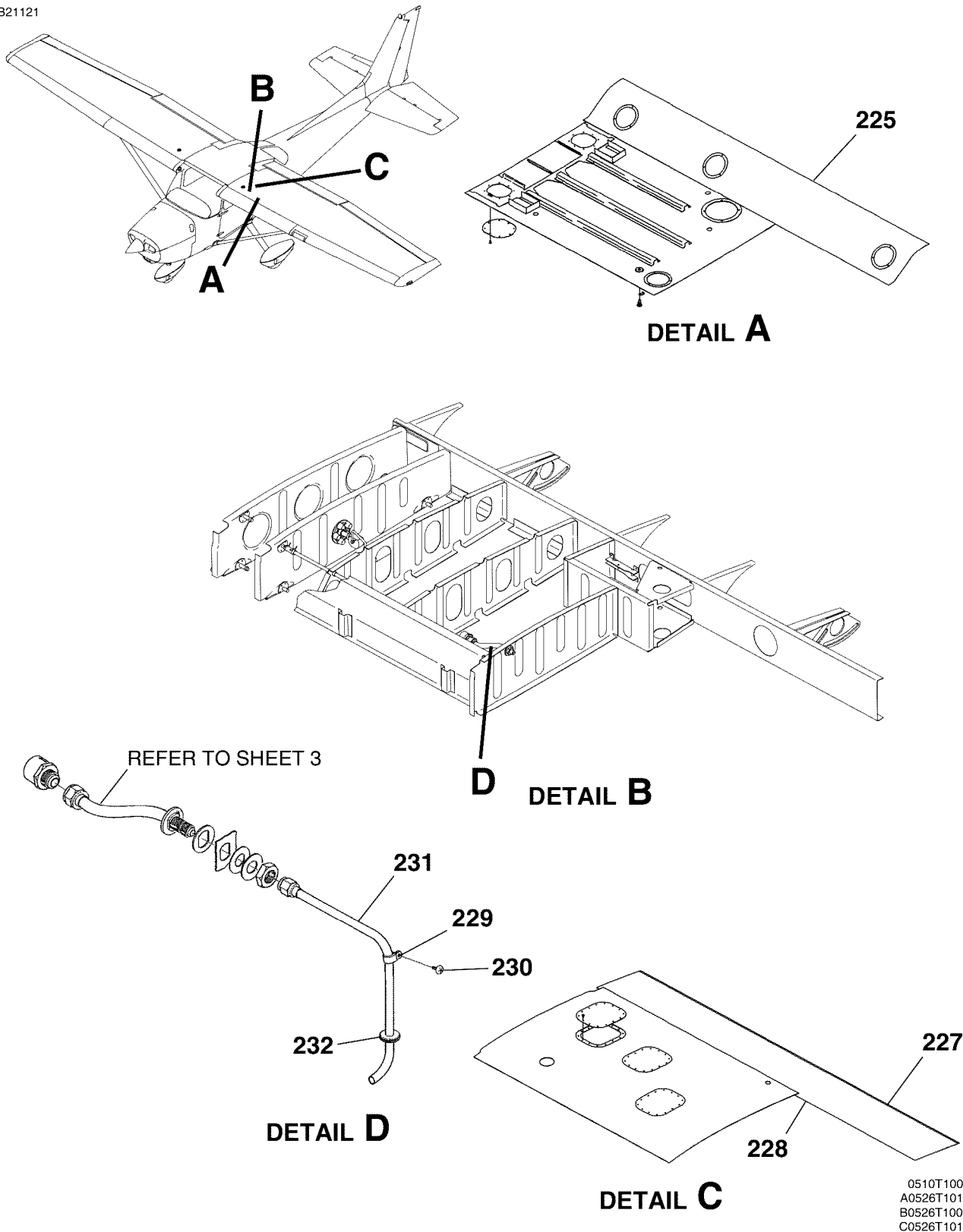
CESSNA AIRCRAFT COMPANY
MODEL 172 (SERIES 1996 AND ON)
ILLUSTRATED PARTS CATALOG

FIG ITEM	PART NUMBER	1 2 3 4 5 6 7	NOMENCLATURE	UNITS	
				PER	ASSY
01					
150	0523539-7		.. UPPER BRACKET-LH		01
151	0523539-9		.. LOWER BRACKET-LH		01
- 152	0523539-8		.. UPPER BRACKET-RH		01
- 153	0523539-10		.. LOWER BRACKET-RH		01
154	0523084-1		.. STUB SPAR-LH		01
- 155	0523084-2		.. STUB SPAR-RH		01
156	0523090-1		.. RIB-LH		01
- 157	0523090-2		.. RIB-RH		01
158	0716614-9		.. TUBE		01
159	S1495-6-1.50		.. TUBE		01
160	S1494-9		.. CLAMP		02
161	0523079-9		.. FUEL SPAR ASSY-LH		02
- 162	0523079-10		.. FUEL SPAR ASSY-RH		02
- 163	0523553-5		.. VALVE ASSY		01
164	0523554-1		.. GASKET		01
165	0523554-2		.. GASKET		01
166	S1450-21-20-063		.. WASHER VALVE ASSY ATTACH		01
167	AN924-6D		.. NUT VALVE ASSY ATTACH		01
168	S4213-14		.. CLIP NUT 172	80968 & ON	01
169	S2359-1		.. VALVE		01
170	0523552-2		.. WELD ASSY		01
171	0523232-6		.. RIB WS 23.625		01
- 172	S4213-14		.. CLIP NUT 172	80001 80888	03
- 173	S4213-14		.. CLIP NUT 172S	08001 08451	03
- 174	S4213-14		.. CLIP NUT 172	80889 & ON	01
- 175	S4213-14		.. CLIP NUT 172S	08452 & ON	01
176	2425001-1		.. RIB ASSY WS 39.00 & WS 85.875 FSO 0525001-1 172	80001 80869	02
- 177	2425001-1		.. RIB ASSY WS 39.00 & WS 85.875 FSO 0525001-1 172S	08001 08392	02
- 178	0525001-1		.. RIB ASSY WS 39.00 & WS 85.875 172	80870 & ON	02
- 179	0525001-1		.. RIB ASSY WS 39.00 & WS 85.875 172S	08393 & ON	02
180	0523231-24		.. BRACKET		02
181	0525001-2		.. TRACK		01
182	1221010-3		.. ANGLE-LH		01
- 183	1221010-4		.. ANGLE-RH		01
- 184	2425001-3		.. RIB-LH		01
- 185	2425001-4		.. RIB-RH		01
186	0523233-11		.. RIB WS 57.04		01
187	0523233-22		.. RIB ASSY WS 71.19 172	80001 81577	01
- 187A	0523233-22		.. RIB ASSY WS 71.19 172S	08001 11084	01
- 187B	0523233-28		.. RIB ASSY WS 71.19 172	81578 & ON	01
- 187C	0523233-28		.. RIB ASSY WS 71.19 172S	11085 & ON	01
188	0523233-3		.. RUB STRIP-AILERON 172	80001 81577	01
- 188A	0523233-3		.. RUB STRIP-AILERON 172S	08001 11085	01
- 188B	0523233-29		.. RUB STRIP-AILERON 172 REFER TO NOTE 1	81578 & ON	01
- 188C	0523233-29		.. RUB STRIP-AILERON 172 REFER TO NOTE 1	11086 & ON	01
189	0523407-0		.. PULLEY BRACKET		01
190	0523407-1		.. PULLEY BRACKET		01

NOTE 1—AIRPLANES 17280001 THRU 17281577 AND AIRPLANES 172S08001 THRU 172S11084 INCORPORATING MK172-27-02

CESSNA AIRCRAFT COMPANY
MODEL 172 (SERIES 1996 AND ON)
ILLUSTRATED PARTS CATALOG

B21121



FUEL BAY STRUCTURE ASSEMBLY
FIGURE 01 (SHEET 4)

0510T1007
A0526T1011
B0526T1009
C0526T1010

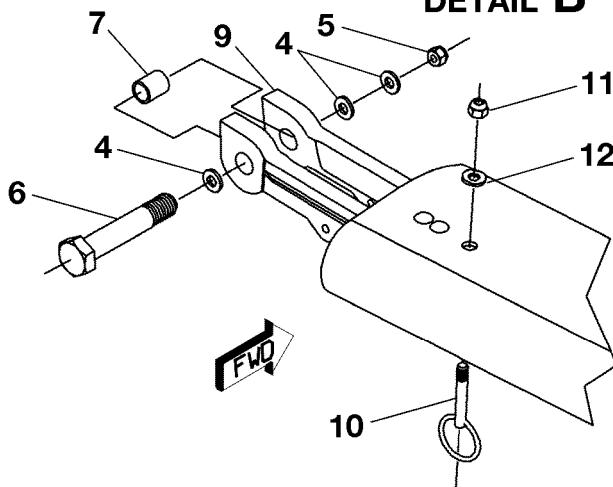
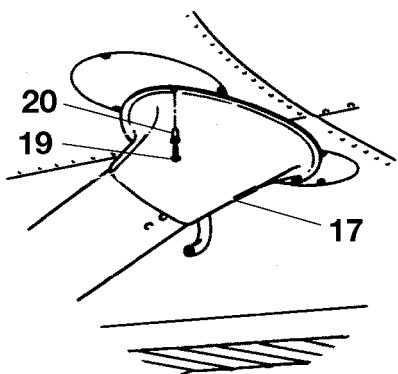
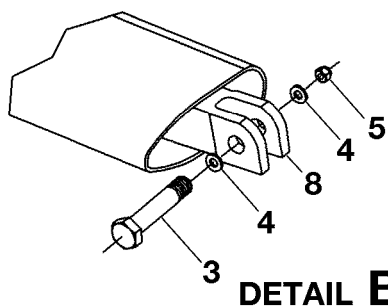
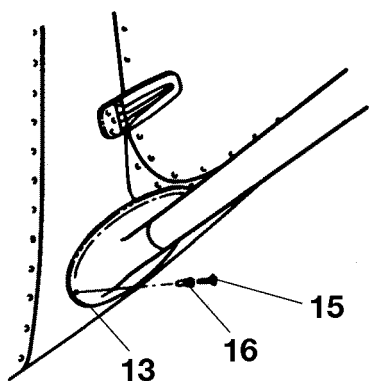
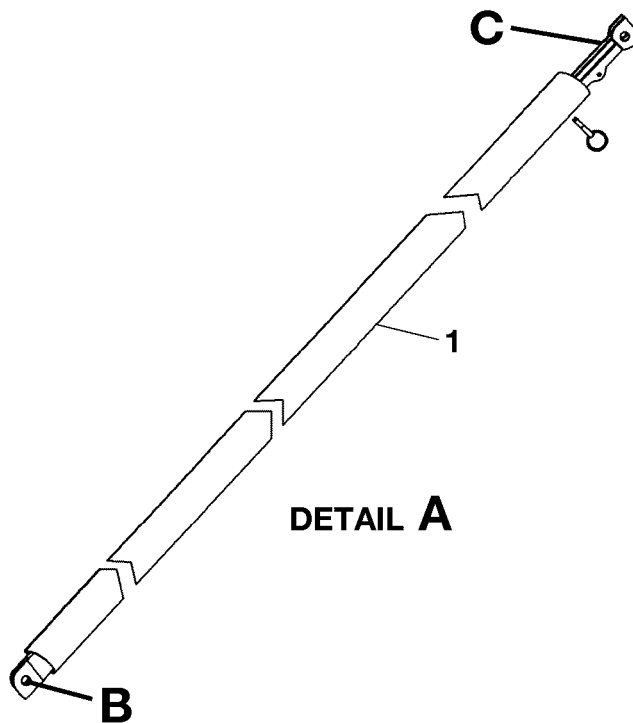
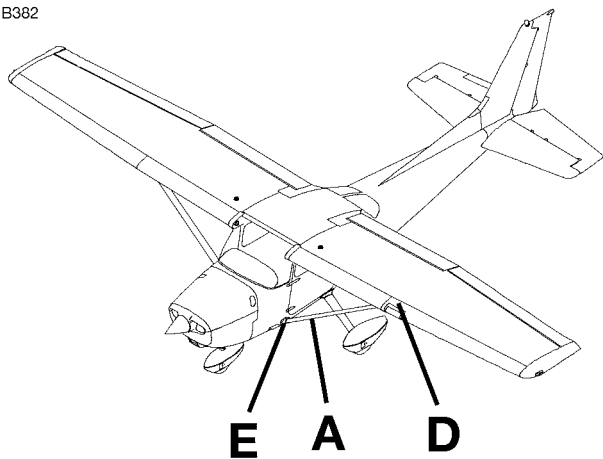
CESSNA AIRCRAFT COMPANY
MODEL 172 (SERIES 1996 AND ON)
ILLUSTRATED PARTS CATALOG

FIG ITEM	PART NUMBER	NOMENCLATURE	UNITS PER ASSY		
			1	2	3
01					
225	0523095-11	. . SKIN-LH LOWER TRAILING EDGE 172	80001	80888	01 R
- 225A	0523095-11	. . SKIN-LH LOWER TRAILING EDGE 172S	08001	08451	01 R
- 225B	0522644-5	. . SKIN-LH LOWER TRAILING EDGE 172	80889	81385	01 R
- 225C	0522644-5	. . SKIN-LH LOWER TRAILING EDGE 172S	08542	10480	01 R
- 225D	0522644-11	. . SKIN-LH LOWER TRAILING EDGE 172	81386	81577	01 R
- 225E	0522644-11	. . SKIN-LH LOWER TRAILING EDGE 172S	10481	11084	01 R
- 225F	0522656-1	. . SKIN-LH LOWER TRAILING EDGE 172 FSO 0522656-5	81578	& ON	NP R
- 225G	0522656-1	. . SKIN-LH LOWER TRAILING EDGE 172S FSO 0522656-5	11085	11729	NP R
- 225H	0522656-5	. . SKIN-LH LOWER TRAILING EDGE 172			01 R
- 225J	0522656-5	. . SKIN-LH LOWER TRAILING EDGE 172S	11730	& ON	01 R
- 226	0523095-12	. . SKIN-RH LOWER TRAILING EDGE 172	80001	80888	01 R
- 226A	0523095-12	. . SKIN-RH LOWER TRAILING EDGE 172S	08001	08451	01 R
- 226B	0522644-6	. . SKIN-RH LOWER TRAILING EDGE 172	80889	81385	01 R
- 226C	0522644-6	. . SKIN-RH LOWER TRAILING EDGE 172S	08452	10480	01 R
- 226D	0522644-12	. . SKIN-RH LOWER TRAILING EDGE 172	81386	81577	01 R
- 226E	0522644-12	. . SKIN-RH LOWER TRAILING EDGE 172S	10481	11084	01 R
- 226F	0522656-2	. . SKIN-RH LOWER TRAILING EDGE 172 FSO 0522656-6	81578	& ON	NP R
- 226G	0522656-2	. . SKIN-RH LOWER TRAILING EDGE 172S FSO 0522656-6	11085	11729	NP R
- 226H	0522656-6	. . SKIN-RH LOWER TRAILING EDGE 172			01 R
- 226J	0522656-6	. . SKIN-RH LOWER TRAILING EDGE 172S	11730	& ON	01 R
227	0523095-10	. . SKIN-UPPER TRAILING EDGE 172	80001	81243	01 R
- 227A	0523095-10	. . SKIN-UPPER TRAILING EDGE 172S	08001	09832	01 R
- 227B	0523095-23	. . SKIN-UPPER TRAILING EDGE 172	81244	81385	01 R
- 227C	0523095-23	. . SKIN-UPPER TRAILING EDGE 172S	09833	10480	01 R
- 227D	0523095-24	. . SKIN-UPPER TRAILING EDGE 172	81386	& ON	01 R
- 227E	0523095-24	. . SKIN-UPPER TRAILING EDGE 172S	10481	& ON	01 R
228	0720005-3	. . STIFFNER-TRAILING EDGE SKIN 172	80001	81116	01 R
- 228A	0720005-3	. . STIFFNER-TRAILING EDGE SKIN 172S	08001	09112	01 R
- 228B	0720005-5	. . STIFFNER-TRAILING EDGE SKIN 172	81117	& ON	01 R
- 228C	0720005-5	. . STIFFNER-TRAILING EDGE SKIN 172S	09113	& ON	01 R
229	S1486DG6U	. CLAMP			01 R
230	S1021Z8-8	. SCREW			01 R
231	0523098-1	. VENT TUBE ASSY			01 R
232	MS35489-11	. GROMMET			01 R

- ITEM NOT ILLUSTRATED

CESSNA AIRCRAFT COMPANY
MODEL 172 (SERIES 1996 AND ON)
 ILLUSTRATED PARTS CATALOG

B382



0510T1007
 A0520R1007
 B9520R1007
 C0520R1007
 D0520R1007
 E0520R1007

STRUT ASSEMBLY-WING
 FIGURE 01 (SHEET 1)

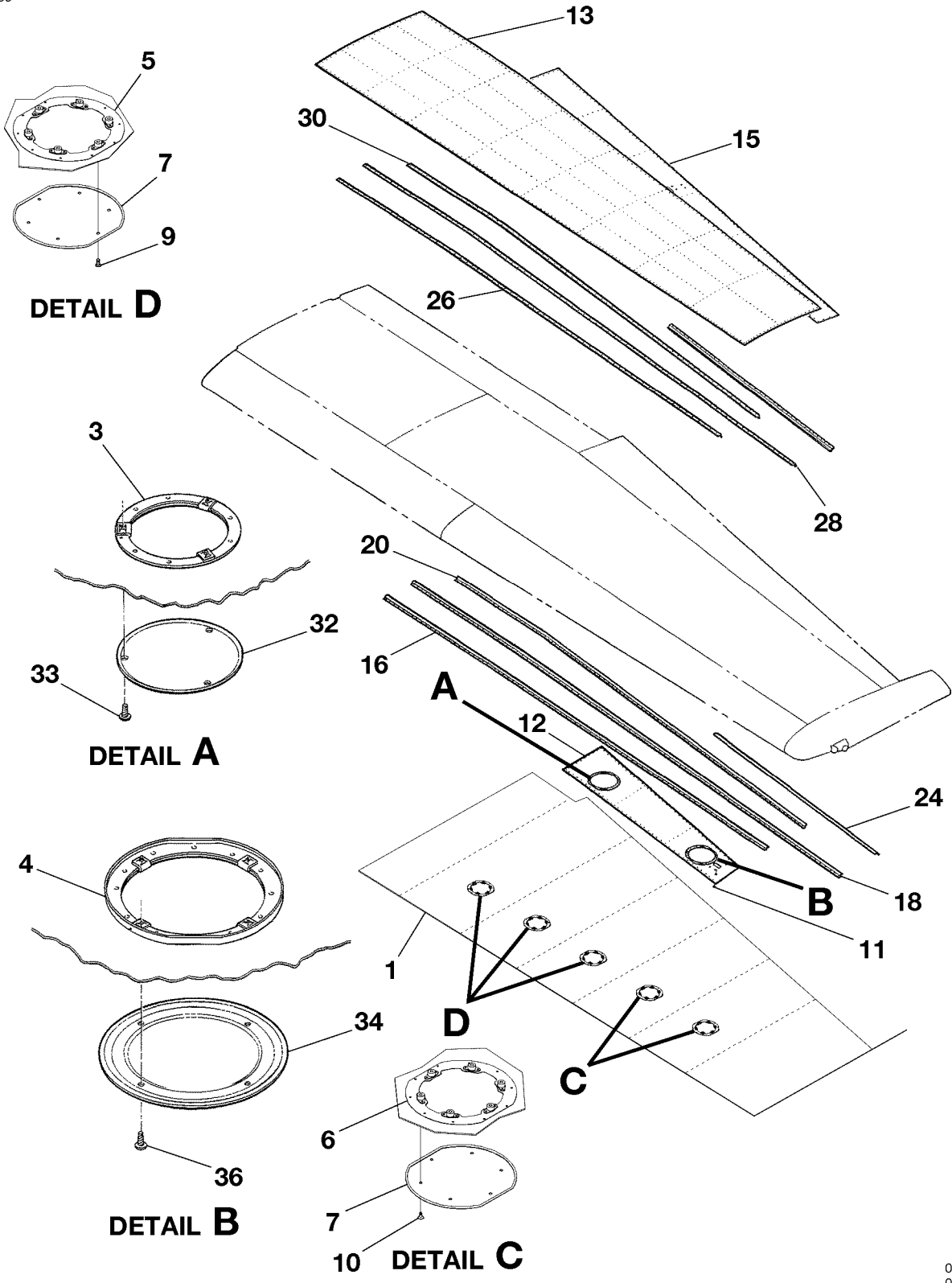
CESSNA AIRCRAFT COMPANY
MODEL 172 (SERIES 1996 AND ON)
 ILLUSTRATED PARTS CATALOG

FIG ITEM	PART NUMBER	NOMENCLATURE	UNITS
			PER ASSY
01			
-		STRUT ASSEMBLY-WING	RF
1	2421000-1	. STRUT ASSEMBLY-LH	01
- 2	2421000-2	. STRUT ASSEMBLY-RH	01
		ATTACHING PARTS	
3	S3461-116	. BOLT-REPLACES AN8-21A	01
4	NAS1149F0863P	. WASHER	05
5	MS21044N8	. NUT	01
6	S3461-111	. BOLT-REPLACES AN8-25A	01
7	0523307-1	. SPACER	01
		—*—	
8	0723614-1	. . FITTING-STRUT LOWER	01
9	0523614-1	. . FITTING-STRUT UPPER	01
10	0523613-1	. . EYEBOLT	01
		ATTACHING PARTS	
11	MS21042L5	. . NUT	01
12	NAS1149F0563P	. . WASHER	01
		—*—	
13	0522150-1	. FAIRING-LOWER LH	01
- 13A	0522150-11	. FAIRING-LOWER LH ABS FOR SPARES ONLY	01 R
- 14	0522150-2	. FAIRING-LOWER RH	01
- 14A	0522150-10	. FAIRING-LOWER RH ABS FOR SPARES ONLY	01 R
		ATTACHING PARTS	
15	MS35206-245	. SCREW	03 R
16	NAS1329A08-75	. RIVNUT	03
		—*—	
17	0523047-1	. FAIRING-UPPER LH	01
- 17A	0523047-3	. FAIRING-UPPER LH ABS FOR SPARES ONLY	01 R
- 18	0523047-2	. FAIRING-UPPER RH	01
- 18A	0523047-4	. FAIRING-UPPER RH ABS FOR SPARES ONLY	01 R
		ATTACHING PARTS	
19	MS35206-245	. SCREW	14 R
20	NAS1329A08-75	. NUT	14 R
		—*—	

- ITEM NOT ILLUSTRATED

CESSNA AIRCRAFT COMPANY
MODEL 172 (SERIES 1996 AND ON)
 ILLUSTRATED PARTS CATALOG

B383



SKINS AND STRINGERS INSTALLATION-WING
 FIGURE 01 (SHEET 1)

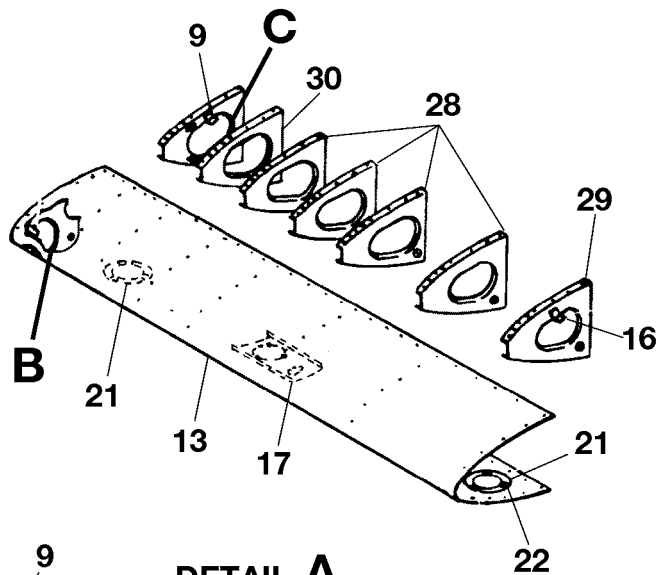
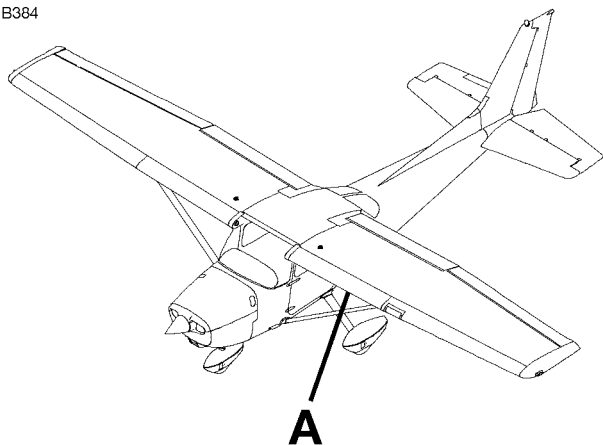
0520T1005
 0520T1004

CESSNA AIRCRAFT COMPANY
MODEL 172 (SERIES 1996 AND ON)
ILLUSTRATED PARTS CATALOG

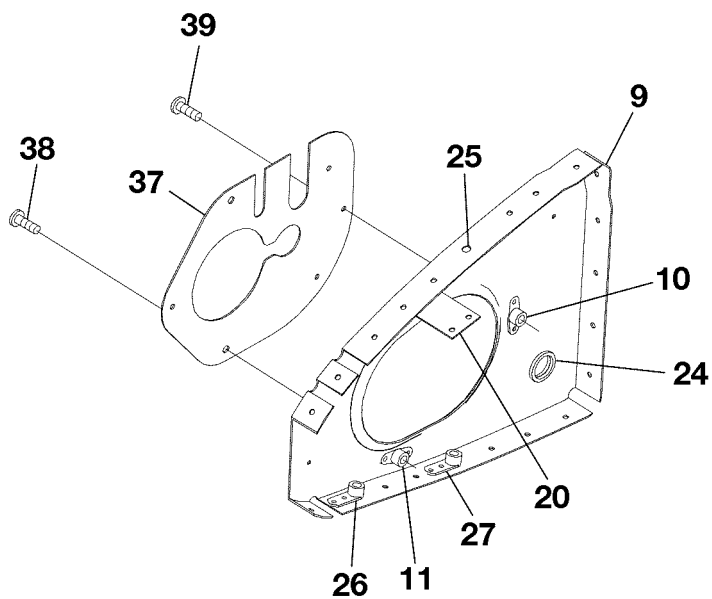
FIG ITEM	PART NUMBER	NOMENCLATURE	UNITS PER ASSY	
	1 2 3 4 5 6 7			
01		SKINS AND STRINGERS INSTALLATION-WING		RF
- 1	0523080-5	. SKIN-LH LOWER CENTER SECTION WS 70.875 TO WS 200.00 172	80001	81336 01
- 1A	0523080-5	. SKIN-LH LOWER CENTER SECTION WS 70.875 TO WS 200.00 172S	08001	10253 01
- 1B	0523080-27	. SKIN-LH LOWER CENTER SECTION WS 70.875 TO WS 200.00 172	81337	81578 01
- 1C	0523080-27	. SKIN-LH LOWER CENTER SECTION WS 70.875 TO WS 200.00 172S	10254	11087 01
- 1D	0523127-1	. SKIN-LH LOWER CENTER SECTION WS 70.875 TO WS 200.00 172	81579	& ON 01
- 1E	0523127-1	. SKIN-LH LOWER CENTER SECTION WS 70.875 TO WS 200.00 172S	11088	& ON 01
- 2	0523080-6	. SKIN-RH LOWER CENTER SECTION WS 70.875 TO WS 200.00 172	80001	81336 01
- 2A	0523080-6	. SKIN-RH LOWER CENTER SECTION WS 70.875 TO WS 200.00 172S	08001	10253 01
- 2B	0523080-28	. SKIN-RH LOWER CENTER SECTION WS 70.875 TO WS 200.00 172 FSO 0523080-40	81337	81567 NP
- 2C	0523080-28	. SKIN-RH LOWER CENTER SECTION WS 70.875 TO WS 200.00 172S FSO 0523080-40	10254	11057 NP
- 2D	0523080-40	. SKIN-RH LOWER CENTER SECTION WS 70.875 TO WS 200.00 172	81568	81578 01
- 2E	0523080-40	. SKIN-RH LOWER CENTER SECTION WS 70.875 TO WS 200.00 172S	11058	11085 01
- 2F	0523127-2	. SKIN-RH LOWER CENTER SECTION WS 70.875 TO WS 200.00 172	81579	& ON 01
- 2G	0523127-2	. SKIN-RH LOWER CENTER SECTION WS 70.875 TO WS 200.00 172S	11086	& ON 01
3	S237-2P	. DOUBLER ASSY		01
- 3A	NAS395-14-3	. NUT		03 R
4	S330-2	. DOUBLER ASSY		03
5	0523080-31	. DOUBLER ASSY-WS 109.00 172	81337	& ON 01
- 5A	0523080-31	. DOUBLER ASSY-WS 109.00 172S	10254	& ON 01
6	S1443-1	. DOUBLER ASSY		02
7	S225-4F	. COVER-LH		05
- 8	S225-4F	. COVER-RH		05
		ATTACHING PARTS		
9	MS24693-BB48	. SCREW		18
10	S1022Z8-6	. SCREW		12
		—*—		
11	CM2692-28J1S	. PLUG BUTTON		01
12	0523003-62	. SKIN-LH LOWER TRAILING EDGE WS 100.00 TO WS 154.00		01
13	0523080-3	. SKIN-LH UPPER CENTER SECTION WS 70.875 TO WS 208.00		01
- 14	0523080-4	. SKIN-RH UPPER CENTER SECTION WS 70.875 TO WS 208.00		01
15	0523011-12	. SKIN-UPPER TRAILING EDGE WS 100.50 TO WS 208.00		01
16	0523097-7	. STRINGER-LH FWD LOWER		01
- 17	0523097-8	. STRINGER-RH FWD LOWER		01
18	0523097-9	. STRINGER-LH CENTER LOWER		01
- 19	0523097-10	. STRINGER-RH CENTER LOWER		01
20	0523097-11	. STRINGER-LH AFT LOWER		01
- 21	0523097-12	. STRINGER-RH AFT LOWER		01
- 22	0523045-5	. STRINGER-LH UPPER		01
- 23	0523045-6	. STRINGER-RH UPPER		01
24	0523045-1	. STRINGER-LH LOWER		01
- 25	0523045-2	. STRINGER-RH LOWER		01
26	0523097-1	. STRINGER-LH FWD UPPER		01
- 27	0523097-2	. STRINGER-RH FWD UPPER		01
28	0523097-3	. STRINGER-LH CENTER UPPER		01
- 29	0523097-4	. STRINGER-RH CENTER UPPER		01
30	0523097-5	. STRINGER-LH AFT UPPER		01
- 31	0523097-6	. STRINGER-RH AFT UPPER		01
32	S225-1	. PLATE		06
		ATTACHING PARTS		
33	S1021Z8-8	. SCREW		03
		—*—		
34	S329	. COVER-LH		03
- 35	S329	. COVER-RH		02
		ATTACHING PARTS		
36	S1021Z8-6	. SCREW		04
		—*—		
- 37	S225-2	. PLATE		02
		ATTACHING PARTS		
- 38	S1022Z8-8	. SCREW		03
		—*—		

CESSNA AIRCRAFT COMPANY
MODEL 172 (SERIES 1996 AND ON)
 ILLUSTRATED PARTS CATALOG

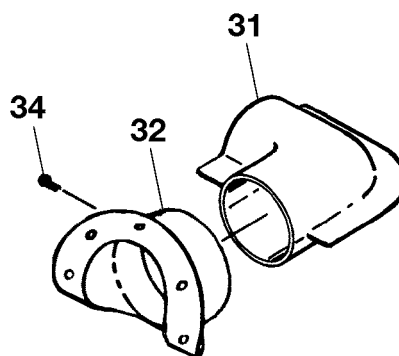
B384



DETAIL A



DETAIL C



DETAIL B

0510T1007
 A0522T1007
 B0522T1005
 C0522T1014

LEADING EDGE ASSEMBLY - INBOARD WING
 FIGURE 01 (SHEET 1)

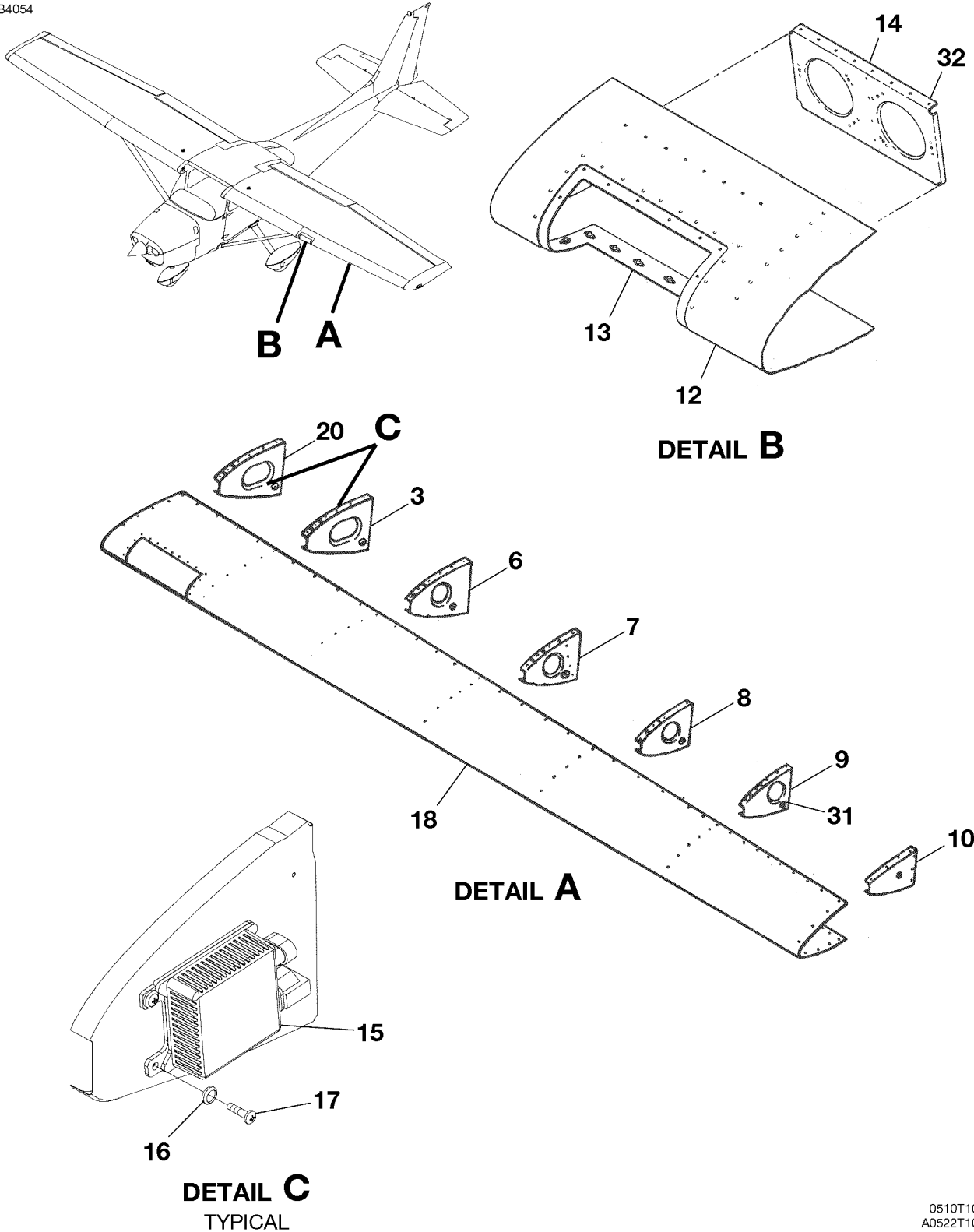
CESSNA AIRCRAFT COMPANY
MODEL 172 (SERIES 1996 AND ON)
ILLUSTRATED PARTS CATALOG

FIG ITEM	PART NUMBER	NOMENCLATURE	UNITS	
			PER	ASSY
01		LEADING EDGE ASSEMBLY - INBOARD WING		RF
- 1	0523028-17	. LEADING EDGE ASSY-LH 172	80001	81200 01
- 2	0523028-17	. LEADING EDGE ASSY-LH 172S	08001	09568 01
- 3	0523028-49	. LEADING EDGE ASSY-LH 172	81201	& ON 01
- 4	0523028-49	. LEADING EDGE ASSY-LH 172S	09569	& ON 01
- 5	0523028-18	. LEADING EDGE ASSY-RH 172	80001	81200 01
- 6	0523028-18	. LEADING EDGE ASSY-RH 172S	08001	09568 01
- 7	0523028-50	. LEADING EDGE ASSY-RH 172	81201	& ON 01
- 8	0523028-50	. LEADING EDGE ASSY-RH 172S	09569	& ON 01
9	0523026-12	. RIB ASSY-RH		01
- 9A	0523026-11	. RIB ASSY-LH		01
10	S3431-1 NUTPLATE		01
11	S3431-3 NUTPLATE		02
- 12	0523026-10 RIB-RH		01
- 12A	0523026-9 RIB-LH		01
13	0523028-20 SKIN-RH		01
- 13A	0523028-19 SKIN-LH		01
- 14	S1050-1 GROMMET-LH 172	81201	& ON 01
- 15	S1050-1 GROMMET-LH 172S	09569	& ON 01
16	0422292-0 BRACKET-LH		02
17	0523048-1 DOUBLER ASSY-LH		01
- 18	S4213-16 CLIP NUT-LH		03 R
- 19	0523048-2 DOUBLER-LH		01
20	0422291-0 BRACKET-LH		01
21	S237-2 DOUBLER ASSY ALT FOR S237-2P		02
- 21A	S237-2P DOUBLER ASSY		02
22	S4213-14 CLIP NUT		03 R
- 23	S237-1 DOUBLER		01
24	S3134-33 FERRULE		07
25	S3429-2A NUTPLATE ALT FOR S3239-2A		01
- 25A	S3239-2A NUTPLATE		01
26	S3430-2 NUTPLATE ALT FOR S3240-2		01
- 26A	S3240-2 NUTPLATE		01
27	S3432-2A NUTPLATE ALT FOR S3261-2A		01
- 27A	S3261-2A NUTPLATE		01
28	0523027-1 RIB		04
29	0523027-2 RIB		01
30	0523027-3 RIB		01
31	0522200-1 FITTING		01
32	0722202-1 SCOOP		01
- 33	0722203-2 VENT SCREEN 172	81201	& ON 01
- 33A	0722203-2 VENT SCREEN 172S	09569	& ON 01
		ATTACHING PARTS		
34	S1021Z8-8 SCREW		01
- 35	NAS1149FN432P WASHER ALT FOR AN960-4		04
- 36	S4215-4 NUT		01 R
		—*—		
37	0523113-5 PLATE-LH		01
- 37A	0523113-6 PLATE-RH		01
38	S1021Z8-8 SCREW		04
39	S1021Z8-6 SCREW		02

- ITEM NOT ILLUSTRATED

CESSNA AIRCRAFT COMPANY
MODEL 172 (SERIES 1996 AND ON)
 ILLUSTRATED PARTS CATALOG

B4054



LEADING EDGE ASSEMBLY - OUTBOARD WING
 FIGURE 02 (SHEET 1)

0510T1007
 A0522T1008
 B0522T1006
 C0522T1018

CESSNA AIRCRAFT COMPANY
MODEL 172 (SERIES 1996 AND ON)
ILLUSTRATED PARTS CATALOG

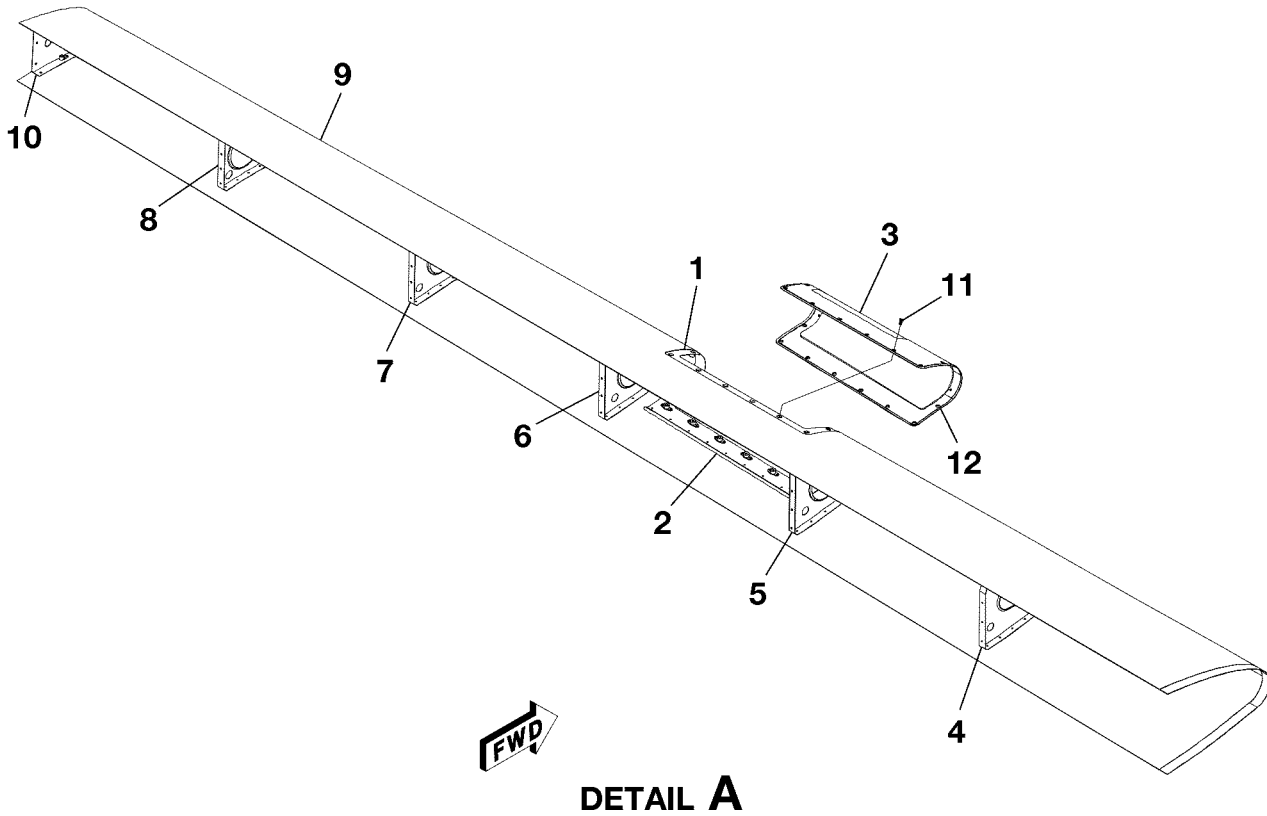
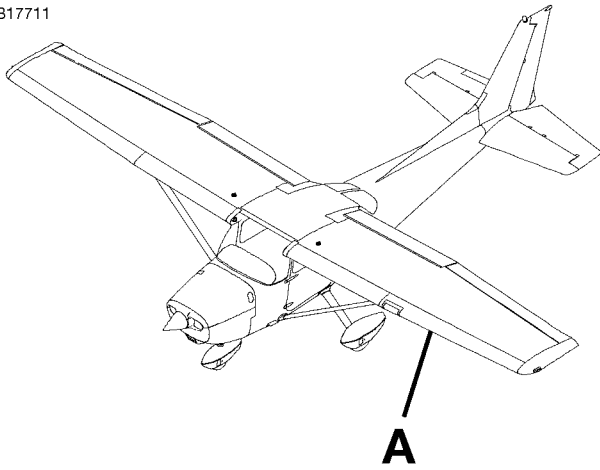
FIG ITEM	PART NUMBER	NOMENCLATURE	UNITS PER ASSY		
			1	2	3
02		LEADING EDGE ASSEMBLY - OUTBOARD WING			
-			80001	81578	RF
			08001	11085	
- 1	0523029-7	. LEADING EDGE ASSY-LH 172	80001	81142	01 R
- 1A	0523029-7	. LEADING EDGE ASSY-LH 172S	08001	09288	01 R
- 1B	0523029-9	. LEADING EDGE ASSY-LH 172	81143	81233	01 R
- 1C	0523029-9	. LEADING EDGE ASSY-LH 172S	09289	09770	01 R
- 1D	0523029-11	. LEADING EDGE ASSY-LH 172 FSO 0523029-13	81234	81245	NP R
- 1E	0523029-11	. LEADING EDGE ASSY-LH 172S FSO 0523029-13	09771	09837	NP R
- 1F	0523029-13	. LEADING EDGE ASSY-LH 172	81246	81495	01 R
- 1G	0523029-13	. LEADING EDGE ASSY-LH 172S	09838	10654	01 R
- 1H	0523029-15	. LEADING EDGE ASSY-LH 172	81496	81578	01 R
- 1J	0523029-15	. LEADING EDGE ASSY-LH 172S	10655	11085	01 R
- 2	0523029-2	. LEADING EDGE ASSY-RH 172	80001	81495	01 R
- 2A	0523029-2	. LEADING EDGE ASSY-RH 172S	08001	10654	01 R
- 2B	0523029-14	. LEADING EDGE ASSY-RH 172	81496	81578	01 R
- 2C	0523029-14	. LEADING EDGE ASSY-RH 172S	10655	11085	01 R
3	0523031-1	. RIB-LH 118.00 172	80001	81233	01 R
- 3A	0523031-1	. RIB-LH 118.00 172S	08001	09770	01 R
- 3B	0523031-7	. RIB ASSY-LH 118.00 172	81234	81578	01 R
- 3C	0523031-7	. RIB ASSY-LH 118.00 172S	09771	11085	01 R
- 4	0523031-8	. RIB-LH 118.00			01 R
- 5	MS21059L3K	. NUTPLATE			03 R
6	0523032-1	. RIB-LH 136.00			01 R
7	0523033-1	. RIB-LH 154.00			01 R
8	0523034-1	. RIB-LH 172.00			01 R
9	0523035-1	. RIB-LH 190.00			01 R
10	0523036-1	. RIB ASSY-LH 208.00 FSO 0722193-1 172	80001	81495	NP R
- 10A	0523036-1	. RIB ASSY-LH 208.00 FSO 0722193-1 172S	08001	10654	NP R
- 10B	0722193-1	. RIB ASSY-LH 172	80001	81495	01 R
- 10C	0722193-1	. RIB ASSY-LH 172S	08001	10654	01 R
- 10D	0722193-9	. RIB ASSY-LH 208.00 172	81496	81578	01 R
- 10E	0722193-9	. RIB ASSY-LH 208.00 172S	10655	11085	01 R
- 11	0523036-3	. RIB-LH 172	80001	81495	01 R
- 11A	0523036-3	. RIB-LH 172S	08001	10654	01 R
- 11B	0722193-11	. RIB-LH 172	81496	81578	01 R
- 11C	0722193-11	. RIB-LH 172S	10655	11085	01 R
12	0522107-1	. BAFFLE ASSY-LH			01 R
13	0522110-1	. DOUBLER ASSY-LH			01 R
14	0522111-1	. BRACKET ASSY-LH			01 R
15	81007-1	. BALLAST KIT-LH 172 REFER TO NOTE 1	81234	81578	02 R
- 15A	81007-1	. BALLAST KIT-LH 172S REFER TO NOTE 1	09771	11085	02 R
16	0163-00179	. INSULATOR - MOUNTING-LH 172 REFER TO NOTE 1	81234	81578	02 R
- 16A	0163-00179	. INSULATOR - MOUNTING-LH 172S REFER TO NOTE 1	09771	11085	02 R
17	CM3558-10-12G	. SCREW-LH INSULATOR ATTACH 172 REFER TO NOTE 1	81234	81578	06 R
- 17A	CM3558-10-12G	. SCREW-LH INSULATOR ATTACH 172S REFER TO NOTE 1	09771	11085	06 R
18	0523029-5	. SKIN-LH			01 R
- 19	0523029-4	. SKIN-RH			01 R
20	0523030-1	. RIB-LH 100.00 172	80001	81233	01 R
- 20A	0523030-1	. RIB-LH 100.00 172S	08001	09770	01 R
- 20B	0523030-7	. RIB ASSY-LH 100.00 172	81234	81578	01 R
- 20C	0523030-7	. RIB ASSY-LH 100.00 172S	09771	11085	01 R
- 21	0523030-8	. RIB-LH 100.00 172	81234	81578	01 R
- 21A	0523030-8	. RIB-LH 100.00 172S	09771	11085	01 R
- 22	MS21059L3K	. NUTPLATE			03 R
- 23	0523030-2	. RIB-RH 100.00			01 R
- 24	0523031-2	. RIB-RH 118.00			01 R
- 25	0523032-2	. RIB-RH 136.00			01 R
- 26	0523033-2	. RIB-RH 154.00			01 R
- 27	0523034-2	. RIB-RH 172.00			01 R
- 28	0523035-2	. RIB-RH 190.00			01 R
- 29	0523036-2	. RIB ASSY-RH 208.00 FSO 0722193-2 172	80001	81495	NP R
- 29A	0523036-2	. RIB ASSY-RH 208.00 FSO 0722193-2 172S	08001	10654	NP R
- 29B	0722193-2	. RIB ASSY-RH 208.00 172	80001	81495	01 R
- 29C	0722193-2	. RIB ASSY-RH 208.00 172S	08001	10654	01 R
- 29D	0722193-10	. RIB ASSY-RH 208.00 172	81496	81578	01 R
- 29E	0722193-10	. RIB ASSY-RH 208.00 172S	10655	11085	01 R
- 30	0523036-4	. RIB-RH 172	80001	81495	01 R
- 30A	0523036-4	. RIB-RH 172S	08001	10654	01 R
- 30B	0722193-12	. RIB-RH 172	81496	81578	01 R
- 30C	0722193-12	. RIB-RH 172S	10655	11085	01 R
31	S3134-33	. FERRULE			06 R
32		. LANDING AND TAXI LIGHTS REFER TO 33-40-00 FIGURE 01			RF R

NOTE 1—AIRPLANES 17280001 THRU 17281233 AND AIRPLANES 172S8001 THRU 172S9700 INCORPORATING MK172-33-01.

- ITEM NOT ILLUSTRATED

CESSNA AIRCRAFT COMPANY
MODEL 172 (SERIES 1996 AND ON)
ILLUSTRATED PARTS CATALOG

B17711



DETAIL A

0510T1007
A0522T1020

LEADING EDGE ASSEMBLY - OUTBOARD WING
FIGURE 03 (SHEET 1)

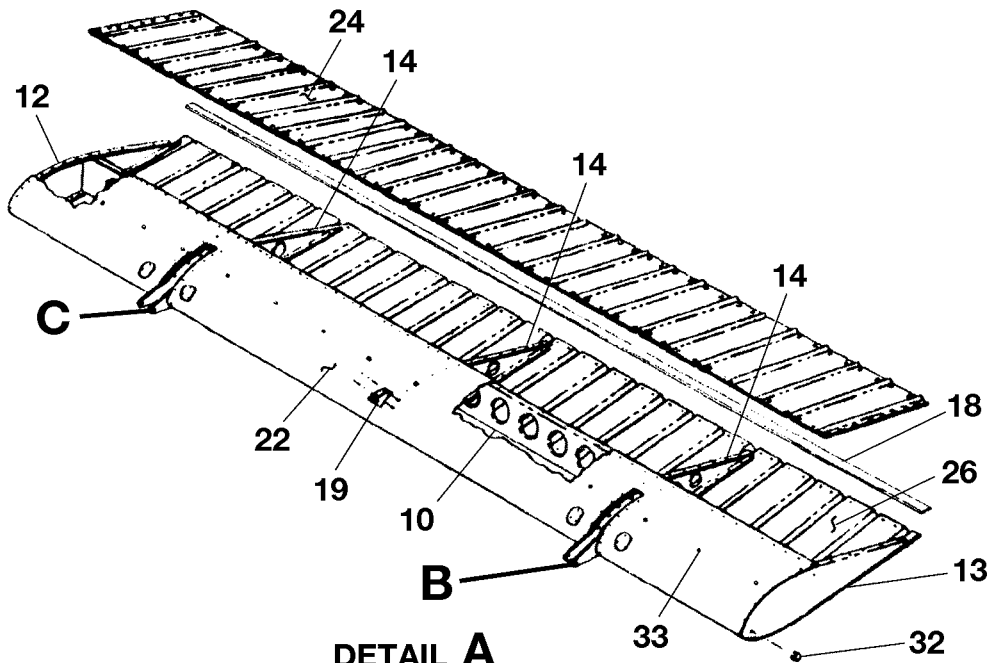
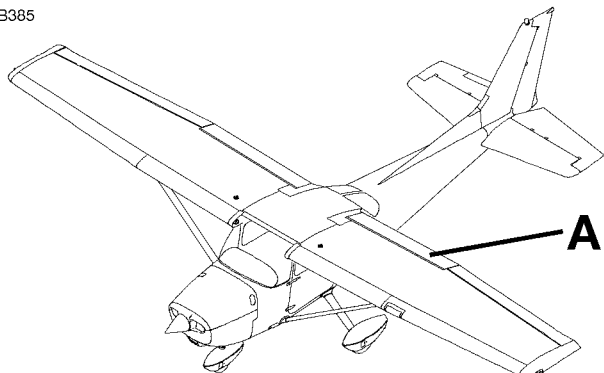
CESSNA AIRCRAFT COMPANY
MODEL 172 (SERIES 1996 AND ON)
 ILLUSTRATED PARTS CATALOG

FIG ITEM	PART NUMBER	NOMENCLATURE	UNITS PER ASSY		
			1	2	3
03					
-		LEADING EDGE ASSEMBLY - OUTBOARD WING	81579	& ON	RF R
			11086	& ON	
1	0523929-1	. LEADING EDGE ASSEMBLY - OUTBOARD WING-LH			01 R
- 1B	0523929-2	. LEADING EDGE ASSEMBLY - OUTBOARD WING-RH			01 R
2	0522110-13	. DOUBLER ASSY-LH			01 R
- 2A	0522110-14	. DOUBLER ASSY-RH			01 R
3	0522113-5	. LENS ASSY-LH			01 R
- 3A	0522113-6	. LENS ASSY-RH			01 R
4	0523031-1	. RIB-LH WS 118.00			01 R
- 4A	0523031-2	. RIB-RH WS 118.00			01 R
5	0523032-1	. RIB-LH WS 136.00			01 R
- 5A	0523032-2	. RIB-RH WS 136.00			01 R
6	0523033-1	. RIB-LH WS 154.00			01 R
- 6A	0523033-2	. RIB-RH WS 154.00			01 R
7	0523034-1	. RIB-LH WS 172.00			01 R
- 7A	0523034-1	. RIB-RH WS 172.00			01 R
8	0523035-1	. RIB-LH WS 190.00			01 R
- 8A	0523035-1	. RIB-RH WS 190.00			01 R
9	0523929-3	. SKIN-LH			01 R
- 9A	0523929-4	. SKIN-RH			01 R
10	0722193-9	. RIB ASSY-LH			01 R
- 10A	0722193-10	. RIB ASSY-RH			01 R
		ATTACHING PARTS			
11	MS24693-S48	. SCREW			16 R
		—*—			
12		. LANDING AND TAXI LIGHTS REFER TO 33-40-00 FIGURE 01			RF R

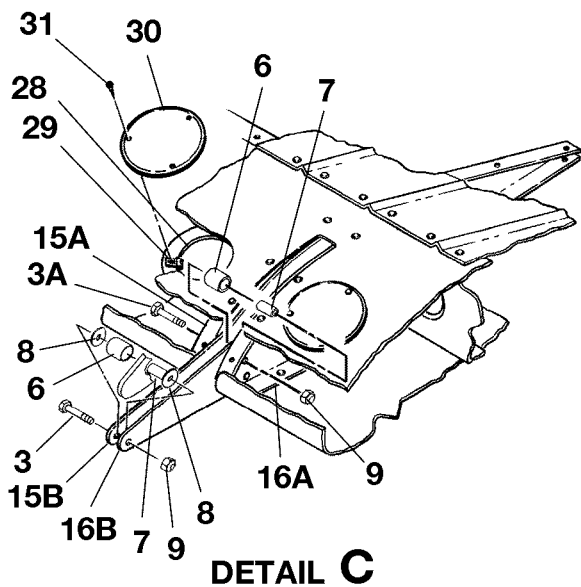
- ITEM NOT ILLUSTRATED

CESSNA AIRCRAFT COMPANY
MODEL 172 (SERIES 1996 AND ON)
 ILLUSTRATED PARTS CATALOG

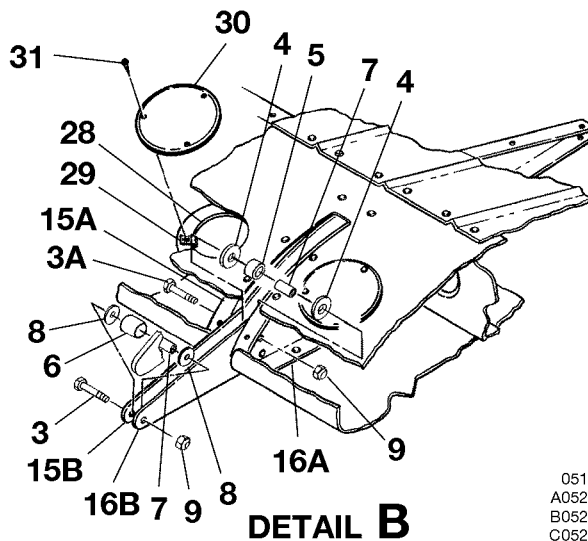
B385



DETAIL A



DETAIL C



DETAIL B

0510T1007
 A0525T1002
 B0525T1006
 C0525T1005

FLAP INSTALLATION
 FIGURE 01 (SHEET 1)

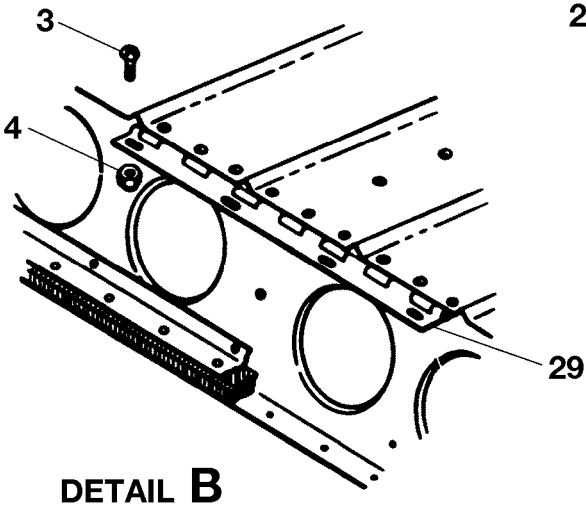
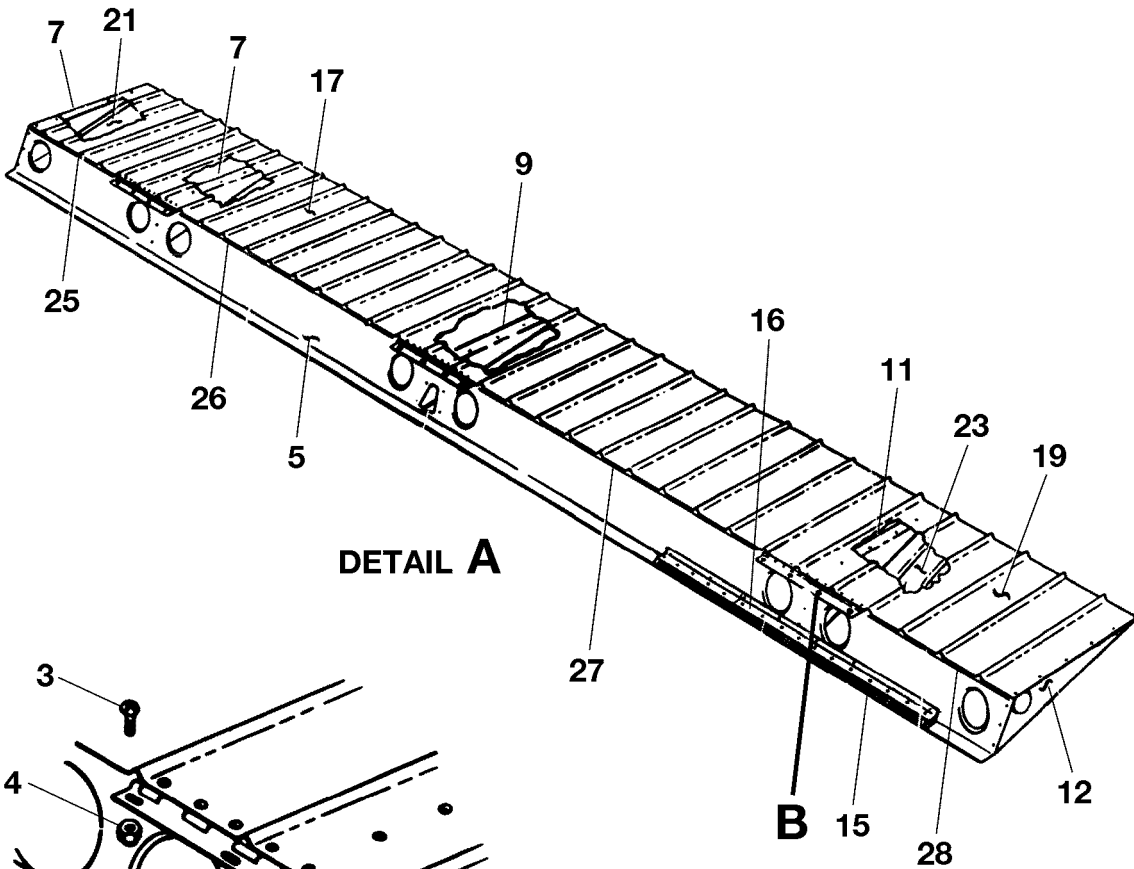
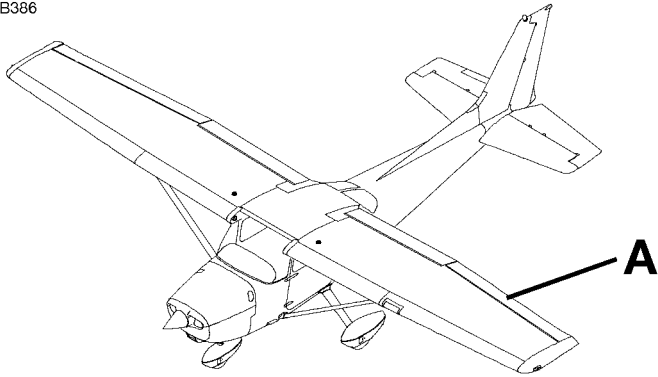
CESSNA AIRCRAFT COMPANY
MODEL 172 (SERIES 1996 AND ON)
ILLUSTRATED PARTS CATALOG

FIG ITEM	PART NUMBER	NOMENCLATURE	UNITS	
			PER	ASSY
01		FLAP INSTALLATION		RF
-				
- 1	0523901-35	. FLAP ASSY-LH 172	80001	81097 01
- 1A	0523901-35	. FLAP ASSY-LH 172S	08001	09062 01
- 1B	0523902-1	. FLAP ASSY-LH HEAVY DUTY	80856	& ON 01
- 1C	0523902-1	. FLAP ASSY-LH HEAVY DUTY	08409	& ON 01
- 2	0523901-38	. FLAP ASSY RH 172	80001	81097 01
- 2A	0523901-38	. FLAP ASSY RH 172S	08001	09062 01
- 2B	0523902-2	. FLAP ASSY-RH HEAVY DUTY	80856	& ON 01
- 2C	0523902-2	. FLAP ASSY-RH HEAVY DUTY	08409	& ON 01
		ATTACHING PARTS		
3	AN3-11A	. BOLT-FWD		02
3A	AN3-10A	. BOLT-AFT		02
4	1220114-1	. SPACER		02
5	0523920-0	. ROLLER ASSY		01
6	0523921-0	. ROLLER ASSY		03
7	0523919-0	. BUSHING		04
8	S1450-3S10-032	. WASHER		04
9	MS21044N3	. NUT		04
		—*—		
10	0523911-0	. SPAR LH		01
- 11	0523911-1	. SPAR RH		01
12	0523912-0	. RIB-INBOARD		01
13	0523912-1	. RIB-OUTBOARD		01
14	0523923-0	. RIB-TRAILING EDGE		03
- 15	0523901-14	. RIB ASSY-SUPPORT ARM RIGHT		02 R
15A	0523914-1	. RIB		01 R
15B	1226100-2	. ARM		01 R
- 16	0523901-13	. RIB ASSY-SUPPORT ARM LEFT		02 R
16A	0523914-0	. RIB		01 R
16B	1226100-1	. ARM		01 R
- 17	0523914-0	. RIB ASSY-LEADING EDGE CENTER		01
18	0523901-37	. STRIP-REINFORCEMENT		01
- 18A	0523902-7	. STRIP-REINFORCEMENT HEAVY DUTY 172	80956	& ON 01
- 18B	0523902-7	. STRIP-REINFORCEMENT HEAVY DUTY 172S	08409	& ON 01
19	0523918-0	. BRACKET-FLAP CONTROL		01
		ATTACHING PARTS		
- 20	AN3-3A	. BOLT		02
- 21	MS21047L3	. NUTPLATE		02
		—*—		
22	0523901-2	. SKIN-LEADING EDGE LH		01
- 23	0523901-3	. SKIN-LEADING EDGE RH		01
24	0523901-36	. SKIN-UPPER LH		01
- 24A	0523902-3	. SKIN-UPPER LH HEAVY DUTY 172	80956	& ON 01
- 24B	0523902-3	. SKIN-UPPER LH HEAVY DUTY 172S	08409	& ON 01
- 25	0523901-39	. SKIN-UPPER RH		01
- 25A	0523902-4	. SKIN-UPPER RH HEAVY DUTY 172	80956	& ON 01
- 25B	0523902-4	. SKIN-UPPER RH HEAVY DUTY 172S	08409	& ON 01
26	0523901-6	. SKIN-LOWER LH		01
- 26A	0523902-5	. SKIN-LOWER LH HEAVY DUTY 172	80956	& ON 01
- 26B	0523902-5	. SKIN-LOWER LH HEAVY DUTY 172S	08409	& ON 01
- 27	0523901-7	. SKIN-LOWER RH		01
- 27A	0523902-6	. SKIN-LOWER RH HEAVY DUTY 172	80956	& ON 01
- 27B	0523902-6	. SKIN-LOWER RH HEAVY DUTY 172S	08409	& ON 01
28	S237-7	. DOUBLER ASSY		04
29	S3429-1A	. NUTPLATE		03
30	S225-26	. COVER-ACCESS		04
		ATTACHING PARTS		
31	S1022Z6-8	. SCREW		03
		—*—		
32	48172	. PLUG BUTTON V90763		02
33	S1093-1	. PLUG BUTTON		AR
- 34	CM2692-20-1S	. PLUG BUTTON		AR
- 35		. FLAP CONTROLS REFER TO 27-50-00 FIGURE 01		RF

- ITEM NOT ILLUSTRATED

CESSNA AIRCRAFT COMPANY
MODEL 172 (SERIES 1996 AND ON)
ILLUSTRATED PARTS CATALOG

B386



AILERON INSTALLATION
FIGURE 01 (SHEET 1)

0510T1007
A0561R2002
B0561R1002

CESSNA AIRCRAFT COMPANY
MODEL 172 (SERIES 1996 AND ON)
ILLUSTRATED PARTS CATALOG

FIG ITEM	PART NUMBER	NOMENCLATURE	UNITS	
			PER	ASSY
01		AILERON INSTALLATION		RF
-		. AILERON ASSY-LH 172	81124	& ON 01
- 1	0523800-37	. AILERON ASSY-LH 172S	09160	& ON 01
- 1A	0523800-37	. AILERON ASSY-RH 172	81124	& ON 01
- 1B	0523800-36	. AILERON ASSY-RH 172S	09160	& ON 01
- 1C	0523800-36	. AILERON ASSY-LH 172	80001	81123 01
- 1D	0523800-0	. AILERON ASSY-LH 172S	08001	09159 01
- 1E	0523800-0	. AILERON ASSY-RH 172	80001	81123 01
- 2	0523800-1	. AILERON ASSY-RH 172S	08001	09159 01
- 2A	0523800-1	. AILERON ASSY-LH 172S		
		ATTACHING PARTS		
3	MS27039-1-08	. SCREW		12
4	MS21044N3	. NUT		12

5	0523806-0	. SPAR-LH FSO 0523806-201		NP R
- 5A	FSO 0523806-201	. SPAR-LH SPARES		01 R
- 6	0523806-1	. SPAR-RH 0523806-202		NP R
- 6A	0523806-202	. SPAR-RH SPARES		01 R
7	0523808-0	. RIB NO.1 LH		02
- 8	0523808-2	. RIB NO.1 RH		02
9	0523809-0	. RIB NO.2 LH		01
- 10	0523809-1	. RIB NO.2 RH		01
11	0523810-0	. RIB NO.3		01
12	0523811-0	. RIB-LH NO.4		01
- 13	0523811-1	. RIB-LH NO.4		01
- 14	0760011-2	. BRACKET-CONTROL		01
15	0724115-2	. WEIGHT-BALANCE		03
16	0523814-6	. BRACKET-LH AND RH WEIGHT 172	80001	81123 02
- 16A	0523814-6	. BRACKET-LH AND RH WEIGHT 172S	08001	09159 02
- 16B	0523814-9	. BRACKET-LH WEIGHT 172	81124	& ON 01
- 16C	0523814-9	. BRACKET-LH WEIGHT 172S	09160	& ON 01
- 16D	0523814-10	. BRACKET-RH WEIGHT 172	81124	& ON 01
- 16E	0523814-10	. BRACKET-RH WEIGHT 172S	09160	& ON 01
17	0523800-6	. SKIN-LH UPPER INBOARD		01
- 18	0523800-7	. SKIN-RH UPPER INBOARD		01
19	0523800-8	. SKIN-LH UPPER OUTBOARD		01
- 20	0523800-9	. SKIN-RH UPPER OUTBOARD		01
21	0523800-10	. SKIN-LH LOWER INBOARD		01
- 22	0523800-11	. SKIN-RH LOWER INBOARD		01
23	0523800-12	. SKIN-LH LOWER OUTBOARD		01
- 24	0523800-13	. SKIN-RH LOWER OUTBOARD		01
25	0523813-1	. SPACER		01
26	0523813-8	. SPACER		01
27	0523813-6	. SPACER		01
28	0523813-7	. SPACER		01
29	0523816-1	. HINGE ASSY		03

- ITEM NOT ILLUSTRATED

CHAPTER

61

PROPELLERS

CESSNA AIRCRAFT COMPANY
MODEL 172 (SERIES 1996 AND ON)
ILLUSTRATED PARTS CATALOG

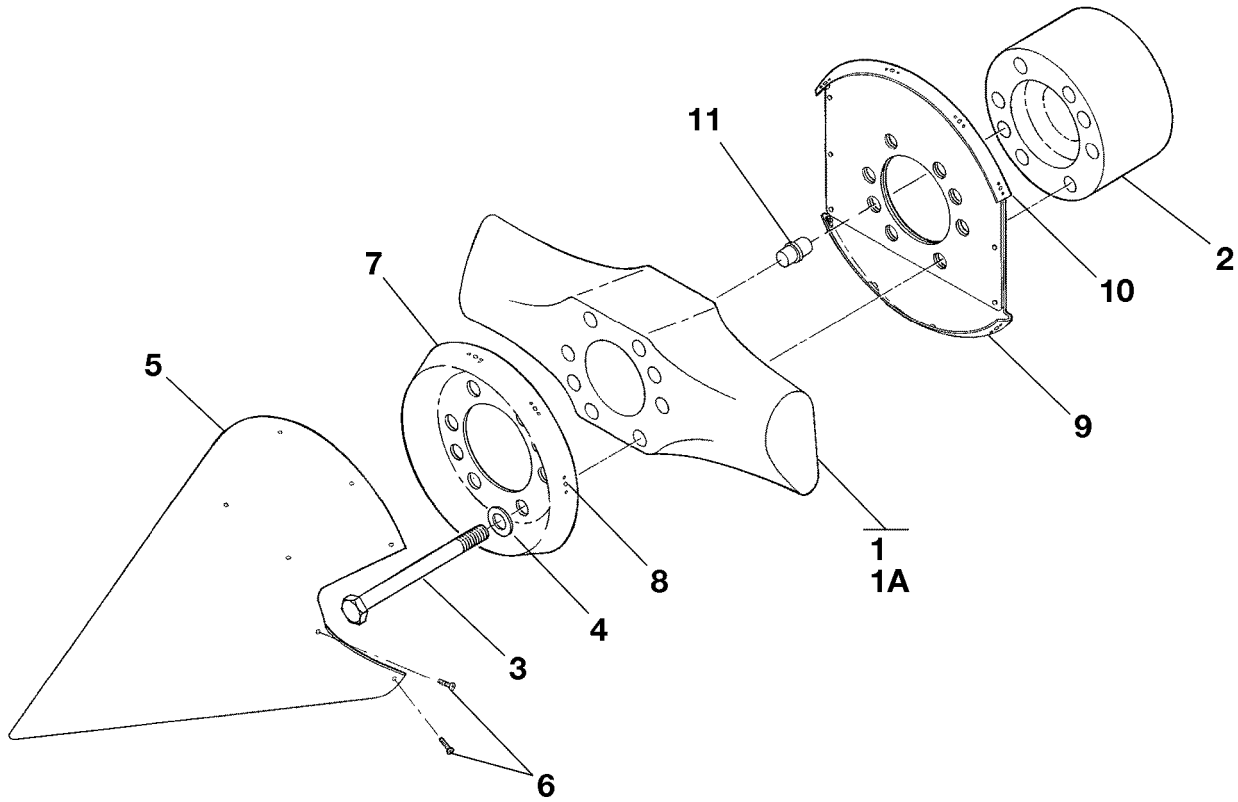
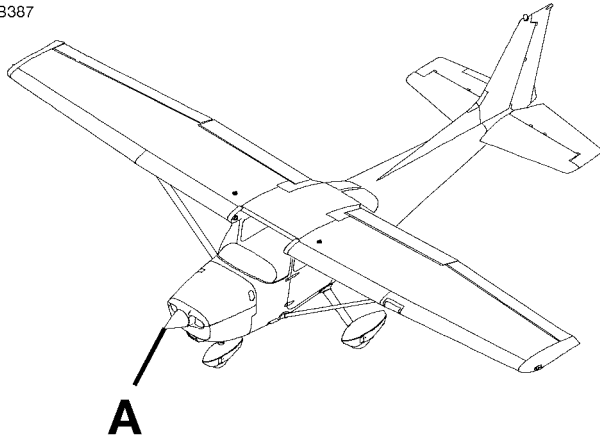
CHAPTER SECTION SUBJECT		NUMBER OF PAGES	DATE
61 - TITLE			
61 - LIST OF EFFECTIVE PAGES			
61 - RECORD OF TEMPORARY REVISIONS			
61 - TABLE OF CONTENTS			
61-10-00	Figure 01	2	Jul 1/2010

CESSNA AIRCRAFT COMPANY
MODEL 172 (SERIES 1996 AND ON)
ILLUSTRATED PARTS CATALOG

<u>SUBJECT</u>	<u>CHAPTER SECTION SUBJECT</u>	<u>FIGURE</u>	<u>EFFECTIVITY</u>	
			<u>START</u>	<u>END</u>
PROPELLER AND SPINNER INSTALLATION	61-10-00	01		

CESSNA AIRCRAFT COMPANY
MODEL 172 (SERIES 1996 AND ON)
ILLUSTRATED PARTS CATALOG

B387



DETAIL A

PROPELLER AND SPINNER INSTALLATION
FIGURE 01 (SHEET 1)

0510T1007
A0555T3001

CESSNA AIRCRAFT COMPANY
MODEL 172 (SERIES 1996 AND ON)
ILLUSTRATED PARTS CATALOG

FIG ITEM	PART NUMBER	NOMENCLATURE	UNITS	
			PER	ASSY
01		PROPELLER AND SPINNER INSTALLATION		RF
-				
1	1C235/LFA7570	. PROPELLER ASSY-2400 RPM 75-74 IN 172	V76275	01
1A	1A170E/JHA7660	. PROPELLER ASSY- 2700 RPM 76-75 IN 172S	V76275	01
- 1B	1A170E/JHA7660	. PROPELLER ASSY- 2700 RPM 76-75 IN AIRPLANES INCORPORATING MK172-72-01	V76275	01
2	C-7726	. SPACER	V76275	01 R
		ATTACHING PARTS		
3	A2513-92	. BOLT		06
4	A1638-2	. WASHER		06
		—*—		
5	0550236-13	. SPINNER FSO 0550367-5 172	80001	80697 NP
- 5A	0550236-14	. SPINNER FSO 0550367-5 172	80698	80702 NP
- 5B	0550236-14	. SPINNER FSO 0550367-5 172S	08001	08129 NP
- 5C	0550367-1	. SPINNER FSO 0550367-5 172	80703	81142 NP
- 5D	0550367-1	. SPINNER FSO 0550367-5 172S	08130	09288 NP
- 5E	0550367-5	. SPINNER		01
- 5F	0550367-3	. SPINNER	81143	& ON 01
- 5G	0550367-2	. SPINNER POLISHED 172S FSO 0550367-4	08372	08590 NP
- 5H	0550367-4	. SPINNER POLISHED 172S	09289	& ON 01
		ATTACHING PARTS		
6	AN525-832R7	. SCREW		14
		—*—		
- 6A	MS51957-45	. SCREW POLISHED 172S	08372	& ON 14
- 6B	S1438-39	. WASHER POLISHED 172S	08372	& ON 14
7	0552231-1	. BULKHEAD ASSY-FWD		01
8	MS21047L08	. NUTPLATE		06
9	0550321-10	. BULKHEAD ASSY-AFT FSO 0550321-12 172	80001	80988 NP
- 9A	0550321-10	. BULKHEAD ASSY-AFT FSO 0550321-12 172S	08001	08716 NP
- 9B	0550321-11	. BULKHEAD ASSY-AFT FSO 0550321-12 172	80989	81142 NP
- 9C	0550321-11	. BULKHEAD ASSY-AFT FSO 0550321-12 172S	08717	09288 NP
- 9D	0550321-12	. BULKHEAD ASSY-AFT 172	81143	& ON 01
- 9E	0550321-12	. BULKHEAD ASSY-AFT 172S	09289	& ON 01
10	MS21075-08N	. NUTPLATE		08
11	A2973-6	. DOWEL PIN		02
- 12		. POWER PLANT REFER TO 71-00-01 FIGURE 01		RF

- ITEM NOT ILLUSTRATED

CHAPTER

71

POWER PLANT

CESSNA AIRCRAFT COMPANY
MODEL 172 (SERIES 1996 AND ON)
ILLUSTRATED PARTS CATALOG

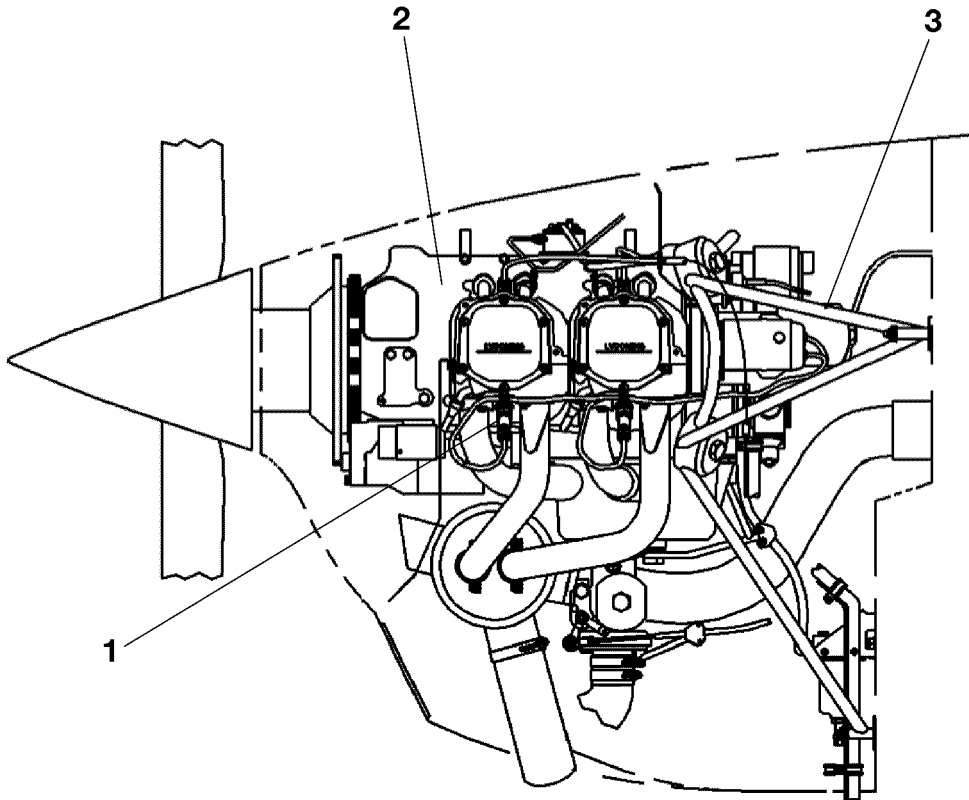
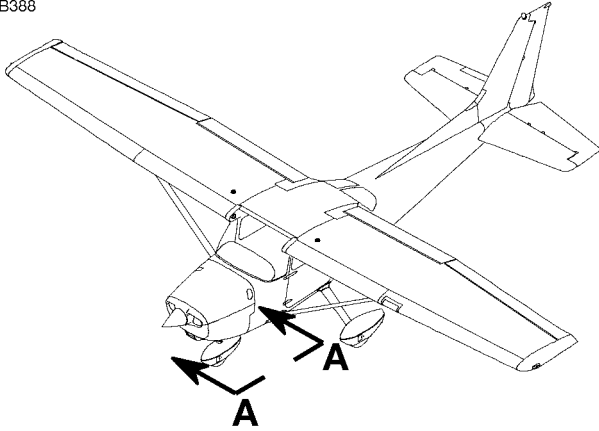
CHAPTER SECTION SUBJECT		NUMBER OF PAGES	DATE
71 - TITLE			
71 - LIST OF EFFECTIVE PAGES			
71 - RECORD OF TEMPORARY REVISIONS			
71 - TABLE OF CONTENTS			
71-00-01	Figure 01	2	Jul 1/2010
71-10-00	Figure 01	4	Jan 1/2009
71-10-00	Figure 02	4	Jul 1/2013
71-11-00	Figure 01	6	Jul 1/2016
71-20-00	Figure 01	2	Jan 1/2012
71-20-00	Figure 02	2	Jul 1/2010
71-20-00	Figure 03	2	Jan 1/2012
71-60-00	Figure 01	2	Dec 1/2007
71-70-00	Figure 01	2	Jan 1/2012

CESSNA AIRCRAFT COMPANY
MODEL 172 (SERIES 1996 AND ON)
 ILLUSTRATED PARTS CATALOG

<u>SUBJECT</u>	<u>CHAPTER SECTION SUBJECT</u>	<u>FIGURE</u>	<u>EFFECTIVITY</u>	
			<u>START</u>	<u>END</u>
ENGINE COMPONENTS	71-00-01	01		
ENGINE COWL ASSEMBLY	71-10-00	01	80001	81262
			08001	10006
ENGINE COWL ASSEMBLY	71-10-00	02	81263	& ON
			10006	& ON
ENGINE BAFFLES INSTALLATION	71-11-00	01		
ENGINE MOUNT INSTALLATION	71-20-00	01	80001	80746
			08001	08224
ENGINE MOUNT INSTALLATION	71-20-00	02	80747	80864
			08225	08385
ENGINE MOUNT INSTALLATION	71-20-00	03	80865	& ON
			08386	& ON
INDUCTION AIR INSTALLATION	71-60-00	01		
ENGINE DRAIN LINES INSTALLATION	71-70-00	01		

CESSNA AIRCRAFT COMPANY
MODEL 172 (SERIES 1996 AND ON)
ILLUSTRATED PARTS CATALOG

B388



VIEW A-A

ENGINE COMPONENTS
FIGURE 01 (SHEET 1)

0510T1007
AA0518R1049

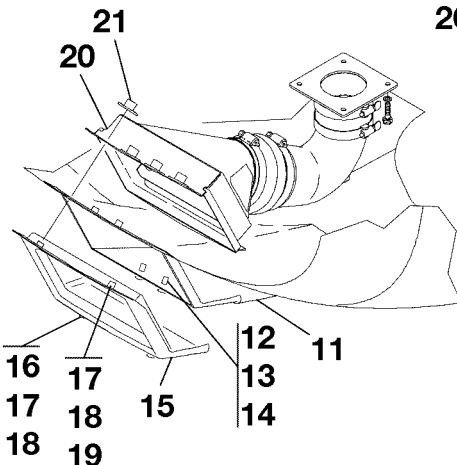
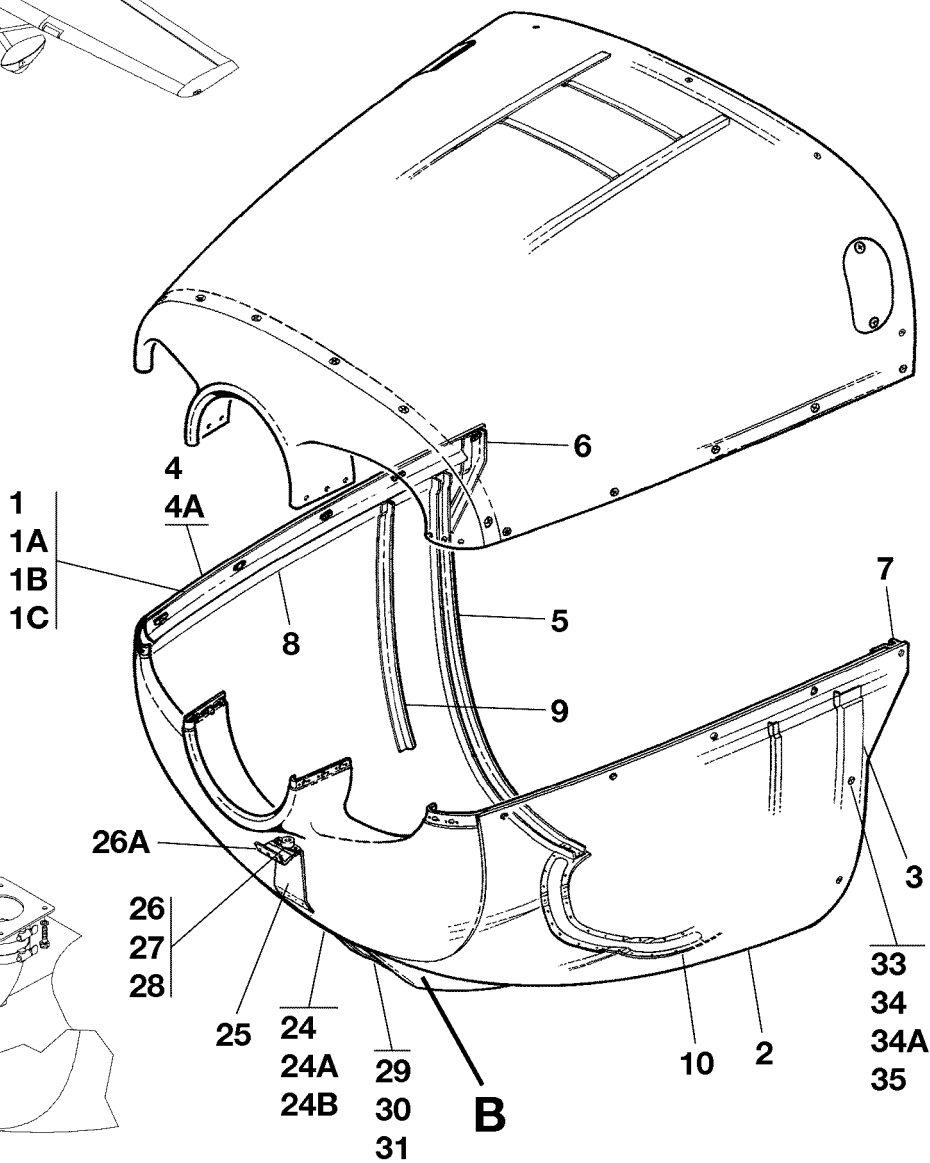
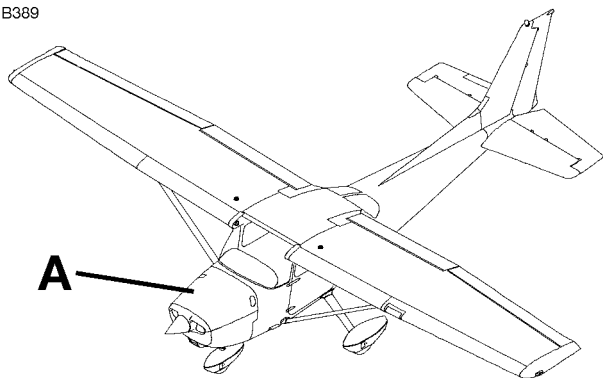
CESSNA AIRCRAFT COMPANY
MODEL 172 (SERIES 1996 AND ON)
ILLUSTRATED PARTS CATALOG

FIG ITEM	PART NUMBER	NOMENCLATURE	UNITS PER ASSY			
			1	2	3	4
01		ENGINE COMPONENTS				
-		ENGINE COMPONENTS				RF
1	REM38E	SPARK PLUG V0AFL4				AR
2	IO-360-L2A	ENGINE ASSY REFER TO SUPPLIER PUBLICATIONS 172 V91547 80001 80887	01			
- 2A	IO-360-L2A	ENGINE ASSY REFER TO SUPPLIER PUBLICATIONS 172S V91547 08001 08417	01			
- 2B	IO-360-L2A9543	ENGINE ASSY REFER TO SUPPLIER PUBLICATIONS 172 V91547 80888 80990	01			
- 2C	IO-360-L2A9543	ENGINE ASSY REFER TO SUPPLIER PUBLICATIONS 172S V91547 08418 08720	01			
- 2D	IO-360-L2A10017	ENGINE ASSY REFER TO SUPPLIER PUBLICATIONS 172 V91547 80991 81187	01			
- 2E	IO-360-L2A10017	ENGINE ASSY REFER TO SUPPLIER PUBLICATIONS 172S V91547 08721 09490	01			
- 2F	IO-360-L2A10188	ENGINE ASSY REFER TO SUPPLIER PUBLICATIONS 172 V91547 81188 81224	01			
- 2G	IO-360-L2A10188	ENGINE ASSY REFER TO SUPPLIER PUBLICATIONS 172S V91547 09491 09684	01			
- 2H	IO-360-L2A10230	ENGINE ASSY REFER TO SUPPLIER PUBLICATIONS 172 V91547 81225 81240	01			
- 2J	IO-360-L2A10230	ENGINE ASSY REFER TO SUPPLIER PUBLICATIONS 172S V91547 09685 09809	01			
- 2K	IO-360-L2A10294	ENGINE ASSY REFER TO SUPPLIER PUBLICATIONS 172 V91547 81241 81250	01			
- 2L	IO-360-L2A10294	ENGINE ASSY REFER TO SUPPLIER PUBLICATIONS 172S V91547 09810 09888	01			
- 2M	S2800-827	ENGINE ASSY REFER TO SUPPLIER PUBLICATIONS 172 V91547 81251 81376	01 R			
		IO-360-L2A-RT10294				
- 2N	S2800-827	ENGINE ASSY REFER TO SUPPLIER PUBLICATIONS 172S V91547 09889 10461	01 R			
		IO-360-L2A-RT10294				
- 2P	S2800-927	ENGINE ASSY REFER TO SUPPLIER PUBLICATIONS 172 V91547 81377 81564	01 R			
		IO-360-L2A-RT10437				
- 2Q	S2800-927	ENGINE ASSY REFER TO SUPPLIER PUBLICATIONS 172S V91547 10462 11043	01 R			
		IO-360-L2A-RT10437				
- 2R	S2800-1080	ENGINE ASSY REFER TO SUPPLIER PUBLICATIONS 172 V91547 81565 & ON	01 R			
		IO-360-L2A-RT10596				
- 2S	S2800-1080	ENGINE ASSY REFER TO SUPPLIER PUBLICATIONS 172S V91547 11044 & ON	01 R			
		IO-360-L2A-RT10596				
- 2T	IO-360-L2A9918	ENGINE ASSY CHROME OPTION REFER TO SUPPLIER PUBLICATIONS . . V91547 08372 08590	01 R			
3	CH48110	FILTER-OIL REFER TO ENGINE MANUAL	01			
- 4		PROPELLER REFER TO 61-10-00 FIGURE 01				RF
- 5		TACHOMETER REFER TO 77-20-00 FIGURE 01				RF

- ITEM NOT ILLUSTRATED

CESSNA AIRCRAFT COMPANY
MODEL 172 (SERIES 1996 AND ON)
 ILLUSTRATED PARTS CATALOG

B389



DETAIL B

DETAIL A

ENGINE COWL ASSEMBLY
 FIGURE 01 (SHEET 1)

0510T1007
 A0552R3001
 B0550T1002

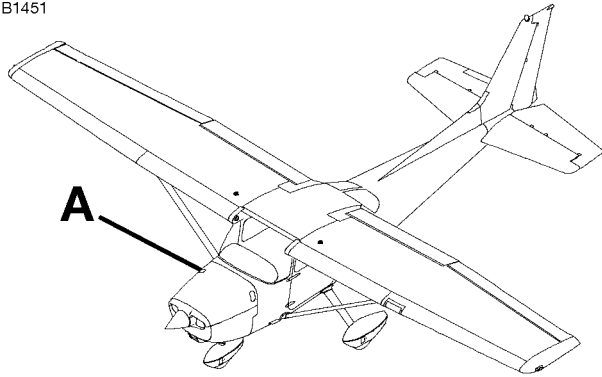
CESSNA AIRCRAFT COMPANY
MODEL 172 (SERIES 1996 AND ON)
ILLUSTRATED PARTS CATALOG

FIG ITEM	PART NUMBER	NOMENCLATURE	UNITS PER ASSY		
			1	2	3
01		ENGINE COWL ASSEMBLY			
-			80001	81262	RF
			08001	10006	
1	0552212-48	. COWL ASSY-LOWER FSO 0552212-50	80260	80269	NP
1A	0552212-40	. COWL ASSY-LOWER FSO 0552212-50	80001	80259	NP
1B	0552212-50	. COWL ASSY-LOWER	80270	81262	01
1C	0552212-50	. COWL ASSY-LOWER	08001	10006	01
2	0552212-41	. SKIN ASSY-LOWER LH			01
3	0552212-25	. CHANNEL LH			01
4	0552212-42	. SKIN ASSY-LOWER RH USED ON 00552212-40 AND 00552212-48 172	80001	80269	01
4A	0552212-52	. SKIN ASSY-LOWER RH USED ON 0552212-50 172	80270	81262	01
- 4B	0552212-52	. SKIN ASSY-LOWER RH 172S	08001	10006	01
5	0552212-26	. CHANNEL RH			01
6	0552151-2	. DOUBLER RH			01
7	0552212-23	. STIFFENER LH			01
8	0552212-24	. STIFFENER RH			01
9	0552010-54	. STIFFENER			02
10	0552143-4	. DOUBLER			01
- 10A	0552143-3	. DOUBLER			01
11	0552233-1	. INDUCTION FAIRING ASSY FSO 0552233-7 172	80001	80787	NP
- 11A	0552233-1	. INDUCTION FAIRING ASSY FSO 0552233-7 172S	80001	08276	NP
- 11B	0552233-7	. INDUCTION FAIRING ASSY 172	80788	81262	01
- 11C	0552233-7	. INDUCTION FAIRING ASSY 172S	08277	10006	01
12	S2319-5	. STUD FSO S3412-105			NP
- 12A	S3412-105	. STUD POLISHED			02
13	S2319-20	. GROMMET			03
14	CM2791-1	. SNAP RING			02
15	0552233-3	. FILTER COVER ASSY 172	80001	80259	01
- 15A	0552233-5	. FILTER COVER ASSY 172	80260	81262	01
- 15B	0552233-5	. FILTER COVER ASSY 172S	08001	10006	01
16	S2319-8	. STUD FSO S3412-108			NP
- 16A	S3412-108	. FASTENER			02
17	S2319-23	. GROMMET FSO S2319-65			NP
- 17A	S2319-65	. GROMMET			04
18	CM2791-1	. SNAP RING			04
19	S2319-7	. STUD FSO S3412-107			NP
- 19A	S3412-107	. FASTENER			02
20		. BOX ASSY-FILTER REFER TO 71-60-00 FIGURE 01			RF
21		. RECEPTACLE REFER TO 71-60-00 FIGURE 01			RF
- 22		. DELETED-NOT USED			
- 23		. DELETED-NOT USED			
24	0552019-34	. NOSE CAP ASSY-LOWER FSO 0552019-36 172	80001	80585	01
24A	0552019-36	. NOSE CAP ASSY-LOWER 172	80586	81215	01
24B	0552019-36	. NOSE CAP ASSY-LOWER 172S	08001	09636	01
- 24C	0552019-43	. NOSE CAP ASSY-LOWER 172	81216	81262	01
- 24D	0552019-43	. NOSE CAP ASSY-LOWER 172S	09637	10006	01
25	0552115-5	. SUPPORT ASSY-COWL SNUBBER			01
- 25A	AN525-832R10	. SCREW 172	81216	81262	04
- 25B	AN525-832R10	. SCREW 172S	09637	10006	04
- 25C	MS21047L08	. NUTPLATE 172	81216	81262	04
- 25D	MS21047L08	. NUTPLATE 172S	09637	10006	04
26	S1115-29	. MOUNT			01
26A	0552227-1	. SHIM-NO MORE THAN 4 (.125 GAP)			AR
27	MS35206-245	. SCREW			02
28	MS21069L08	. NUTPLATE			02
29	S2319-3	. STUD FSO S3412-103			NP
- 29A	S3412-103	. FASTENER			02
30	S2319-20	. GROMMET			03
- 30A	S2319-61	. GROMMET POLISHED			04
31	CM2791-1	. SNAP RING			02
- 32	NAS1149DN416K	. WASHER			07
33	S2319-1	. STUD			04
34	S2319-23	. GROMMET USED ON 0552212-48 AND 0552212-50 FSO S2319-65			NP
34A	S2319-65	. GROMMET			06
- 34B	S2319-61	. GROMMET USED ON 0552212-48 AND 0552212-50 POLISHED			06
35	CM2791-1	. SNAP RING			06
- 36	S2319-50	. RECEPTACLE			10
- 37	NAS1149DN216H	. WASHER			16

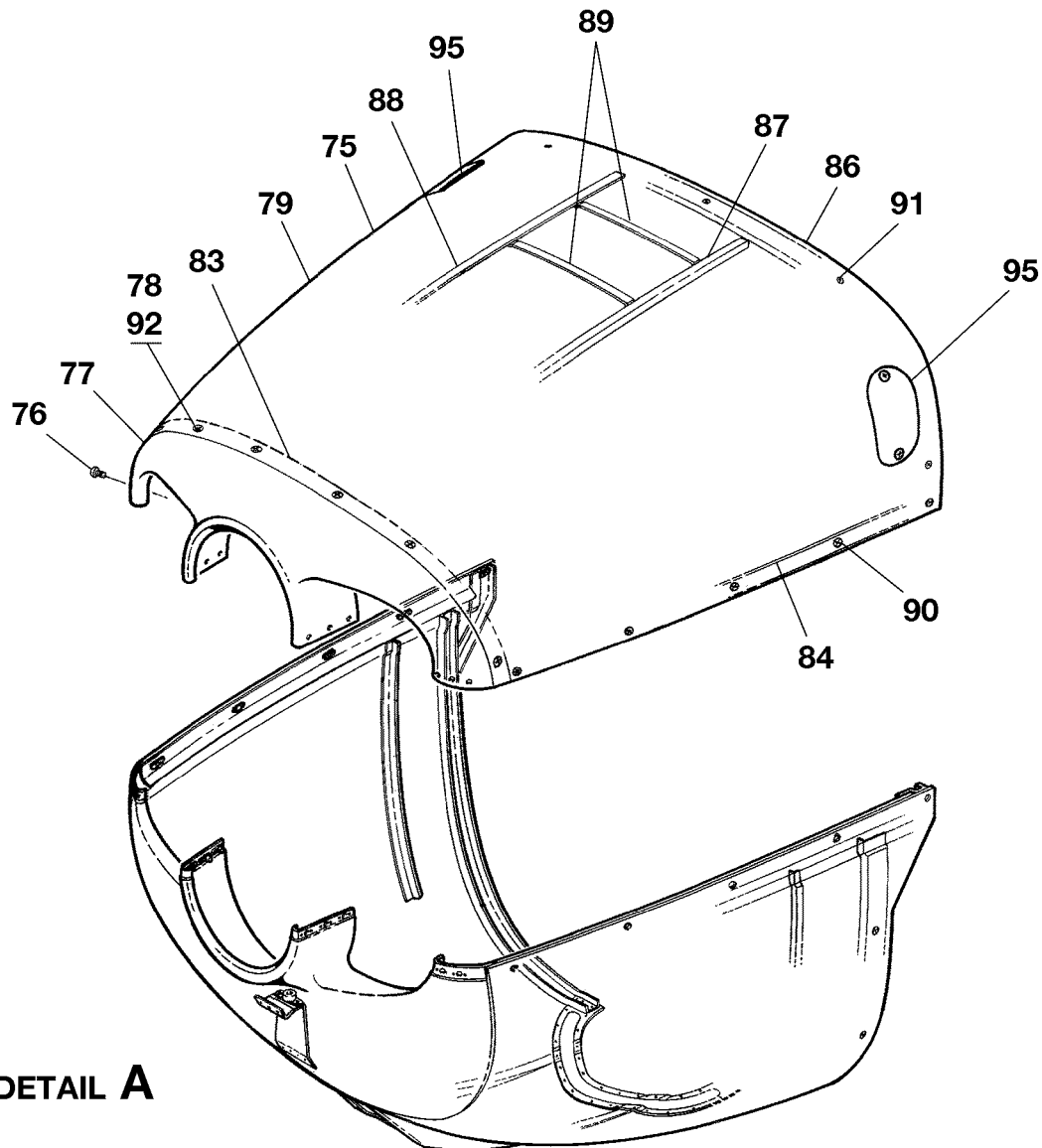
- ITEM NOT ILLUSTRATED

CESSNA AIRCRAFT COMPANY
MODEL 172 (SERIES 1996 AND ON)
ILLUSTRATED PARTS CATALOG

B1451



A



DETAIL A

ENGINE COWL ASSEMBLY
FIGURE 01 (SHEET 2)

0510T1007
A05523001

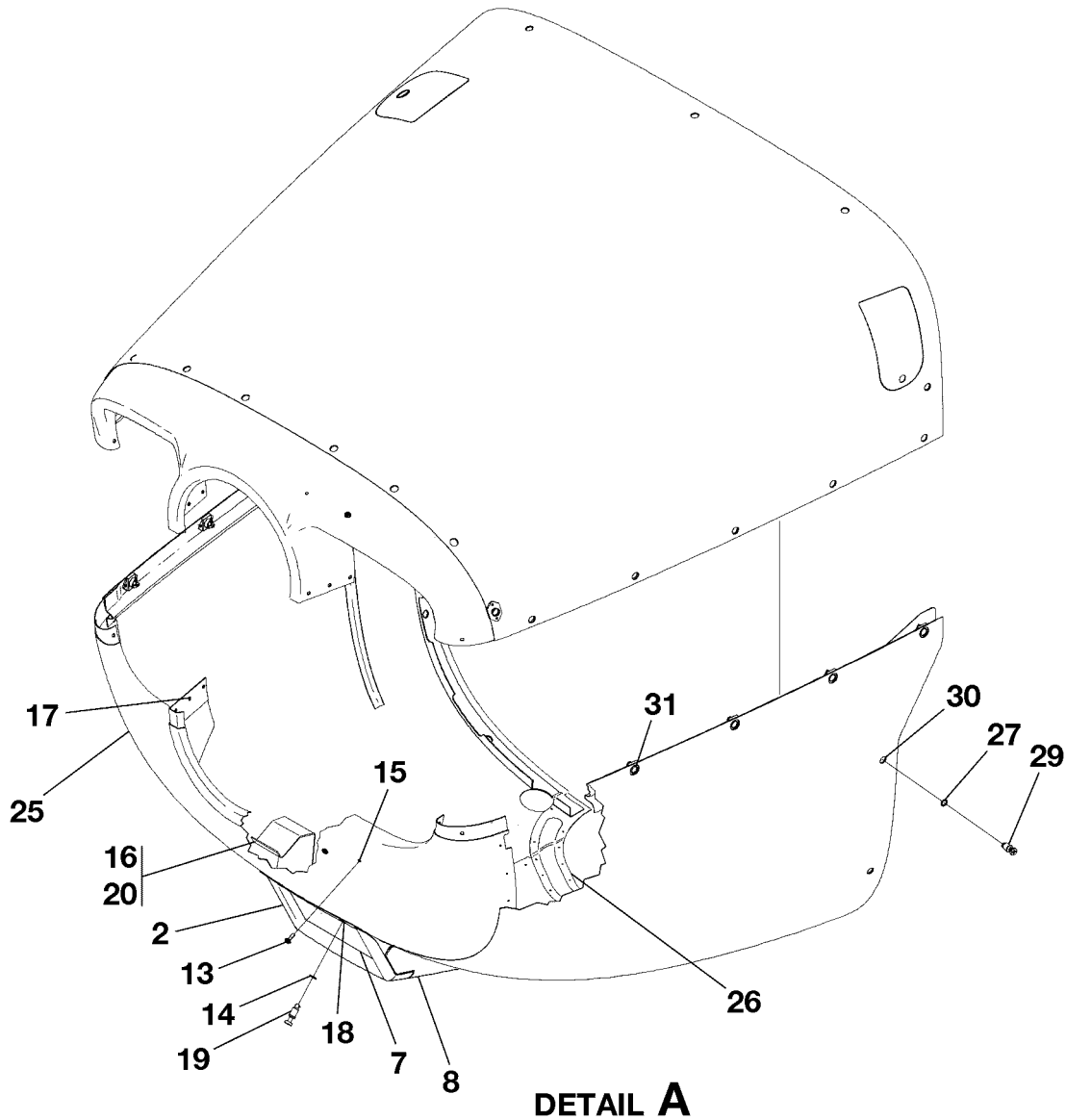
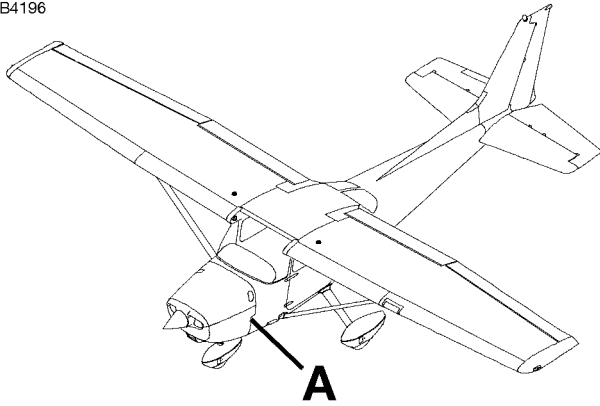
CESSNA AIRCRAFT COMPANY
MODEL 172 (SERIES 1996 AND ON)
 ILLUSTRATED PARTS CATALOG

FIG ITEM	PART NUMBER	NOMENCLATURE	UNITS		
			PER	ASSY	
01					
75	0552212-45	. COWL ASSY-UPPER	80001 08001	81262 10006	01
76	AN525-832R8	. SCREW			10
77	0552019-33	. . UPPER NOSE CAP ASSY 172	80001	81215	01
- 77A	0552019-33	. . UPPER NOSE CAP ASSY 172S	08001	09636	01
- 77B	0552019-42	. . UPPER NOSE CAP ASSY 172	81216	81262	01
- 77C	0552019-42	. . UPPER NOSE CAP ASSY 172S	09637	10006	01
78	S2319-50	. . . RECEPTACLE			08
- 78A	AN525-832R10	. . . SCREW 172	81216	81262	04
- 78B	AN525-832R10	. . . SCREW 172S	09637	10006	04
- 78C	MS21047L08	. . . NUTPLATE 172	81216	81262	04
- 78D	MS21047L08	. . . NUTPLATE 172S	09637	10006	04
79	0552212-46	. . SKIN ASSY-UPPER 172	80001	80830	01
- 80	0552212-46	. . SKIN ASSY-UPPER 172S	08001	08347	01
- 81	0552212-56	. . SKIN ASSY-UPPER 172	80831	81262	01
- 82	0552212-56	. . SKIN ASSY-UPPER 172S	08348	10006	01
83	0552212-34	. . . DOUBLER-UPPER FWD			01
84	0552212-21	. . . DOUBLER LH			01
- 85	0552212-22	. . . DOUBLER RH			01
86	0552212-29	. . . CHANNEL-UPPER AFT			01
87	0552170-3	. . STIFFENER LH			01
88	0552170-2	. . STIFFENER RH			01
89	0552010-47	. . STIFFENER			02
90	S3412-105	. . FASTENER-POLISHED			10 R
91	S3412-102	. . FASTENER-POLISHED			06 R
92	S3412-105	. . FASTENER-POLISHED			08 R
- 93	S2319-21	. . GROMMET			06
- 94	CM2791-1	. . SNAP RING			06
95		. . DOOR INSTL-COWL ACCESS REFER TO 52-40-00 FIGURE 01			RF
- 96	S2319-61	. . GROMMET-POLISHED OPTION-UNPOLISHED S2319-32			30
- 97	S2319C1	. . STUD-POLISHED OPTION-UNPOLISHED S2319-1			12
- 98	S3412-102	. . FASTENER-POLISHED OPTION-UNPOLISHED S2319-2			03
- 99	S3412-105	. . FASTENER-POLISHED OPTION-UNPOLISHED S2319-5			08
- 100	S3412-106	. . FASTENER-POLISHED OPTION-UNPOLISHED S2319-6			08
- 101	S3412-107	. . FASTENER-POLISHED OPTION-UNPOLISHED S2319-7			10
- 102	S3412-108	. . FASTENER-POLISHED OPTION-UNPOLISHED S2319-8			02 R

- ITEM NOT ILLUSTRATED

CESSNA AIRCRAFT COMPANY
MODEL 172 (SERIES 1996 AND ON)
ILLUSTRATED PARTS CATALOG

B4196



DETAIL A

ENGINE COWL ASSEMBLY
FIGURE 02 (SHEET 1)

0510T1007
A0552T1005

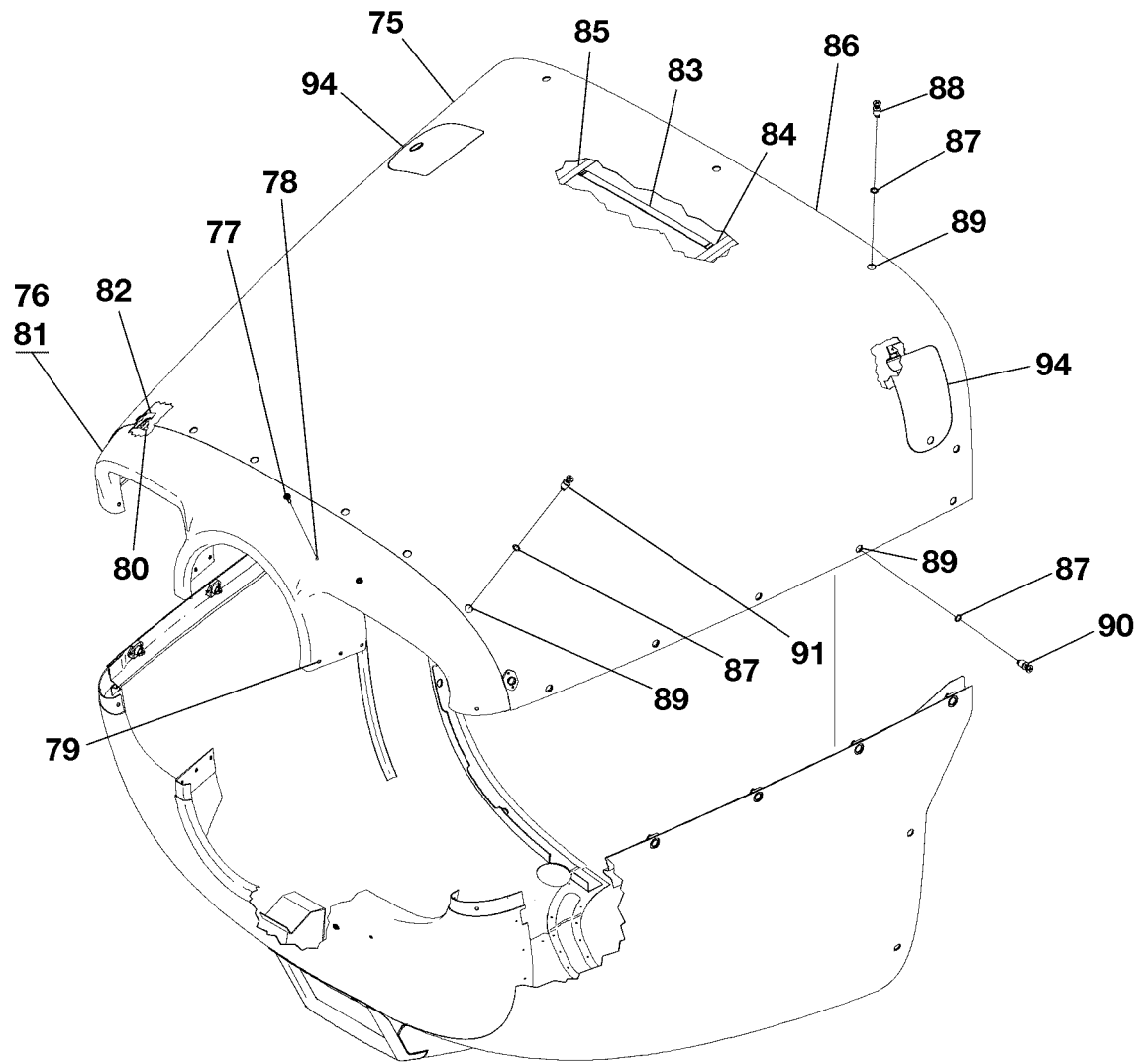
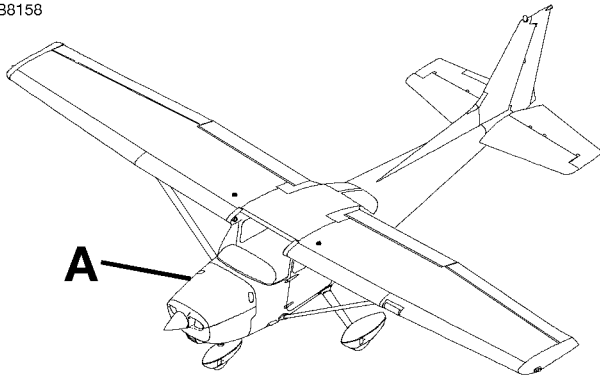
CESSNA AIRCRAFT COMPANY
MODEL 172 (SERIES 1996 AND ON)
ILLUSTRATED PARTS CATALOG

FIG ITEM	PART NUMBER	NOMENCLATURE	UNITS		
			PER	ASSY	
02					
-		ENGINE COWL ASSEMBLY	81263	& ON	RF
			10006	& ON	
- 1	0552242-1	. LOWER COWL ASSY 172 FSO 0552242-7	81263	81483	NP
- 1A	0552242-1	. LOWER COWL ASSY 172S FSO 0552242-7	10007	10642	NP
- 1B	0552242-7	. LOWER COWL ASSY 172	81484	& ON	01
- 1C	0552242-7	. LOWER COWL ASSY 172S	10643	& ON	01
2	0552233-11	81263	81483	01
- 2A	0552233-11	10007	10642	01
- 2B	0552233-13	81484	& ON	01
- 2C	0552233-13	10643	& ON	01
- 3	CM2791-1			04
- 4	S2319-65			04
- 5	S2319C7	81263	81483	02
- 5A	S2319C7	10007	10642	02
- 5B	S3412-109	81484	& ON	02
- 5C	S3412-109	10643	& ON	02
- 6	S2319C8	81263	81483	02
- 6A	S2319C8	10007	10642	02
- 6B	S3412-110	81484	& ON	02
- 6C	S3412-110	10643	& ON	02
7	0552233-12			01
8	0552233-9			01
- 9	CM2791-1			02
- 10	S2319-20			02
- 11	S2319C5			02
- 12	0552237-2			01 R
13	AN525-832R10			04 R
14	CM2791-1			02 R
15	MS21047L08			04 R
16	NAS1149DN416K			07 R
17	MS21069L08			10 R
18	S2319-20			02 R
19	S2319-3			02 R
20	0552115-5			01 R
- 21	MS35206-245			02 R
- 22	MS21069L08			02 R
- 23	S1115-29			01 R
- 24	0552115-6			01 R
25	0552237-4			01 R
26	0552240-1			01 R
27	CM2791-1			06 R
- 28	NAS1149DN216H			56 R
29	S2319C1			06 R
30	S2319-23			06 R
31	S2319-50			10 R
- 31A	S2319-52			10 R

- ITEM NOT ILLUSTRATED

CESSNA AIRCRAFT COMPANY
MODEL 172 (SERIES 1996 AND ON)
ILLUSTRATED PARTS CATALOG

B8158



DETAIL A

ENGINE COWL ASSEMBLY
FIGURE 02 (SHEET 2)

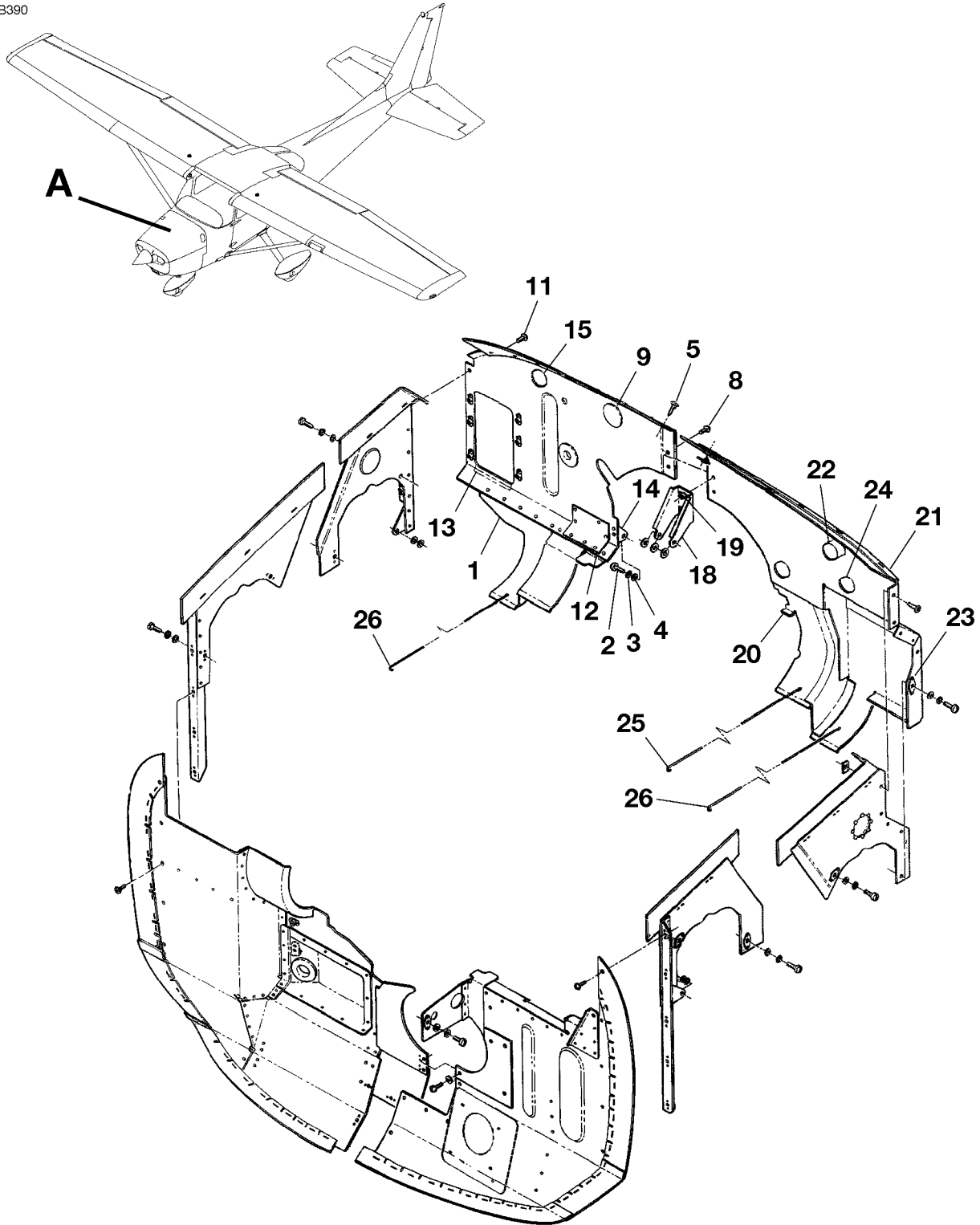
0510T1007
A0552T1005

CESSNA AIRCRAFT COMPANY
MODEL 172 (SERIES 1996 AND ON)
ILLUSTRATED PARTS CATALOG

FIG ITEM	PART NUMBER	NOMENCLATURE	UNITS		
			1	2	PER ASSY
02					
75	0552241-1	UPPER COWL ASSY 172 FSO 0552241-203	81263	81483	NP
- 75A	0552241-1	UPPER COWL ASSY 172S FSO 0552241-203	10007	10642	NP R
- 75B	0552241-3	UPPER COWL ASSY 172 FSO 0552241-203	81484	81535	NP R
- 75C	0552241-3	UPPER COWL ASSY 172S FSO 0552241-203	10643	10770	NP R
- 75D	0552241-203	UPPER COWL ASSY 172 SPARES ONLY	81263	81535	01 R
- 75E	0552241-203	UPPER COWL ASSY 172S SPARES ONLY	10007	10770	01 R
- 75F	0552241-4	UPPER COWL ASSY 172 FSO 0552241-6	81536	81573	NP R
- 75G	0552241-4	UPPER COWL ASSY 172S FSO 0552241-6	10771	11078	NP R
- 75H	0552241-6	UPPER COWL ASSY 172	81574	& ON	01 R
- 75J	0552241-6	UPPER COWL ASSY 172S	11079	& ON	01 R
76	0552237-1	UPPER NOSECAP ASSY 172	81263	81535	01 R
- 76A	0552237-1	UPPER NOSECAP ASSY 172S	10007	10770	01 R
- 76B	0552237-8	UPPER NOSECAP ASSY 172	81536	& ON	01 R
- 76C	0552237-8	UPPER NOSECAP ASSY 172S	10771	& ON	01 R
77	AN525-832R10	SCREW			04 R
78	MS21047L08	NUTPLATE			04 R
79	S1589-3	EYELET			10 R
80	S2319-50	RECEPTACLE 172	81263	81573	08 R
- 80A	S2319-50	RECEPTACLE 172S	10007	11078	08 R
- 80B	S2319-52	RECEPTACLE 172 ALT FOR S2319-50	81263	81573	08 R
- 80C	S2319-52	RECEPTACLE 172S ALT FOR S2319-50	10007	11078	08 R
81	MS21059L3	NUTPLATE 172	81536	& ON	08 R
- 81A	MS21059L3	NUTPLATE 172S	10771	& ON	08 R
82	0552237-5	DOUBLER			08 R
83	0552240-11	STIFFENER			02 R
84	0552240-13	STIFFENER-LH			01 R
85	0552240-14	STIFFENER-RH			01 R
86	0552241-2	SKIN ASSY 172 FSO 0552241-204	81263	81535	NP R
- 86A	0552241-2	SKIN ASSY 172S FSO 0552241-204	10007	10770	NP R
- 86B	0552241-204	SKIN ASSY 172 SPARES ONLY	81263	81535	01 R
- 86C	0552241-204	SKIN ASSY 172S SPARES ONLY	10007	10770	01 R
- 86D	0552241-5	SKIN ASSY 172	81536	81573	01 R
- 86E	0552241-5	SKIN ASSY 172S	10771	11078	01 R
- 86F	0552241-7	SKIN ASSY 172	81574	& ON	01 R
- 86G	0552241-7	SKIN ASSY 172S	11079	& ON	01 R
87	CM2791-1	SNAP RING 172	81263	81535	24 R
- 87A	CM2791-1	SNAP RING 172S	10007	10770	24 R
- 87B	CM2791-1	SNAP RING 172	81536	81573	16 R
- 87C	CM2791-1	SNAP RING 172S	10771	11078	16 R
- 87D	CM2791-1	SNAP RING 172	81574	& ON	15 R
- 87E	CM2791-1	SNAP RING 172S	11079	& ON	15 R
88	S2319C1	STUD			05 R
89	S2319-65	GROMMET			24 R
90	S2319C5	STUD			10 R
91	S2319C6	STUD 172	81236	81535	08 R
- 91A	S2319C6	STUD 172S	10007	10770	08 R
- 92	MS24694-C52	SCREW 172S	10771	& ON	08 R
- 92A	MS24694-C52	SCREW 172	81536	& ON	08 R
- 93	NAS1169C10	WASHER 172S	10771	& ON	08 R
- 93C	NAS1169C10	WASHER 172	81536	& ON	08 R
94		SERVICE DOORS REFER TO 52-40-00 FIGURE 01			RF R

CESSNA AIRCRAFT COMPANY
MODEL 172 (SERIES 1996 AND ON)
ILLUSTRATED PARTS CATALOG

B390



DETAIL A

ENGINE Baffles INSTALLATION
FIGURE 01 (SHEET 1)

0510T1007
A0550R2001

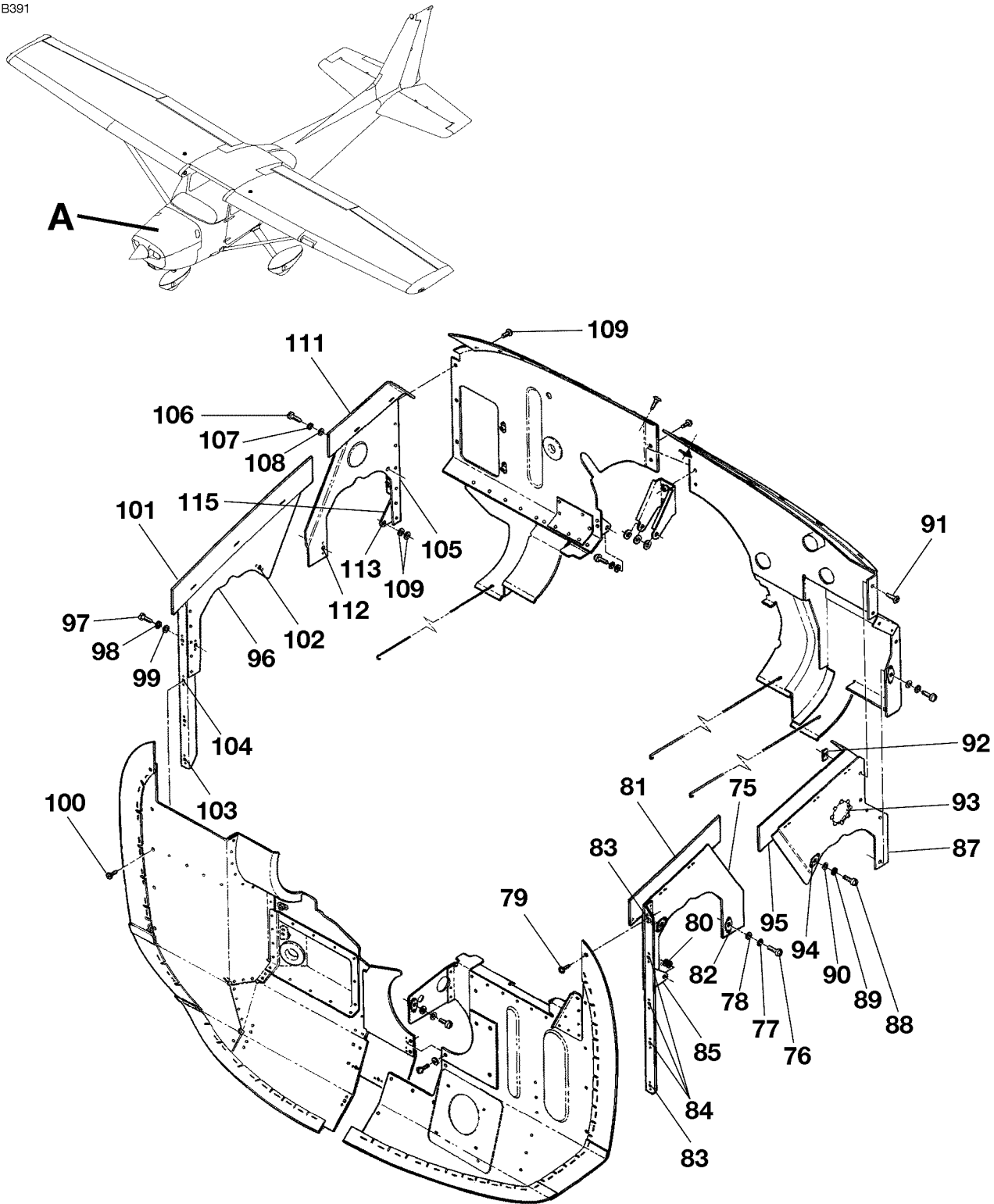
CESSNA AIRCRAFT COMPANY
MODEL 172 (SERIES 1996 AND ON)
ILLUSTRATED PARTS CATALOG

FIG ITEM	PART NUMBER	NOMENCLATURE	UNITS PER ASSY		
			1	2	3
01		ENGINE BAFFLES INSTALLATION			
- 1	0509069-7	. BAFFLE ASSY-RH REAR VERTICAL 172	80001	80697	01
- 1A	0509069-11	. BAFFLE ASSY-RH REAR VERTICAL 172 FSO 0509069-15 REFER TO NOTE 1	80698	81233	NP
- 1B	0509069-11	. BAFFLE ASSY-RH REAR VERTICAL 172S FSO 0509069-15	08001	09770	NP
- 1C	0509069-15	. BAFFLE ASSY-RH REAR VERTICAL 172	81234	& ON	01
- 1D	0509069-15	. BAFFLE ASSY-RH REAR VERTICAL 172S	09771	& ON	01
		ATTACHING PARTS			
2	AN500-416-10	. SCREW			01
3	MS35333-40	. WASHER-LOCK, FLAT			01
4	NAS1149F0463P	. WASHER			01
5	AN3-4A	. BOLT			01
- 6	MS21042L3	. NUT			01
- 7	NAS1149F0363P	. WASHER			01
8	AN3-4A	. BOLT			02
		—*—			
9	CM2692-32-1S	. . PLUG BUTTON 172	81234	& ON	01
- 9A	CM2692-32-1S	. . PLUG BUTTON 172S	09771	& ON	01
- 10	MS35489-18	. . GROMMET 172	80001	80233	01
- 10A	MS35489-18	. . GROMMET 172S	08001	09770	01
- 10B	MS35489-15	. . GROMMET 172	80234	& ON	01
- 10C	MS35489-15	. . GROMMET 172S	09771	& ON	01
11	0509069-4	. . SEAL-BAFFLE			01
12	2455076-1	. . SEAL-BAFFLE			01
- 12A	NAS1149DN216H	. . WASHER 172	V80205	08001	80697 AR R
			81234	& ON	
- 12B	NAS1149DN216H	. . WASHER 172S	V80205	09771	& ON AR R
- 12C	NAS1149DN416H	. . WASHER 172	V80205	08001	80697 AR R
13	S2179-1	. . SEAL 3.50 INCHES			AR
14	2455068-1	. . ATTACH BRACKET			01
15	0553028-4	. . TUBE			01
- 16	MS21047L3	. . NUTPLATE 172	80001	80697	02
- 16A	MS21059L3	. . NUTPLATE 172	80698	& ON	01
- 16B	MS21059L3	. . NUTPLATE 172S	08001	& ON	01
- 17	NAS1149DN216H	. . WASHER 172	81234	& ON	AR
- 17A	NAS1149DN216H	. . WASHER 172S	09771	& ON	AR
18	2455019-1	. . SUPPORT ASSY-AFT CENTER BAFFLE			01
19	MS21047L3	. . NUTPLATE			02
20	0509070-6	. . BAFFLE ASSY-LH REAR VERTICAL 172 FSO 0509070-8	80001	80697	NP
- 20A	0509070-8	. . BAFFLE ASSY-LH REAR VERTICAL 172	80698	& ON	01
- 20B	0509070-8	. . BAFFLE ASSY-LH REAR VERTICAL 172S	08001	& ON	01
21	0509070-4	. . SEAL-BAFFLE			01
22	0553028-4	. . TUBE-BATTERY COOLING			01
23	NAS463W416	. . SHIM-ANCHOR NUT			01
24	MS35489-18	. . GROMMET 172	80001	80697	01
- 24A	MS35489-15	. . GROMMET 172	80698	& ON	01
- 24B	MS35489-15	. . GROMMET 172S	08001	& ON	01
25	0450277-212	. . FASTENER ASSY-LH ONLY			01
26	0450277-215	. . FASTENER ASSY			02

NOTE 1—AIRPLANES 17280698 THRU 17281233 INCORPORATING MK172-72-01C.

CESSNA AIRCRAFT COMPANY
MODEL 172 (SERIES 1996 AND ON)
ILLUSTRATED PARTS CATALOG

B391



DETAIL A

ENGINE Baffles INSTALLATION
FIGURE 01 (SHEET 2)

0510T1007
A0550T2001

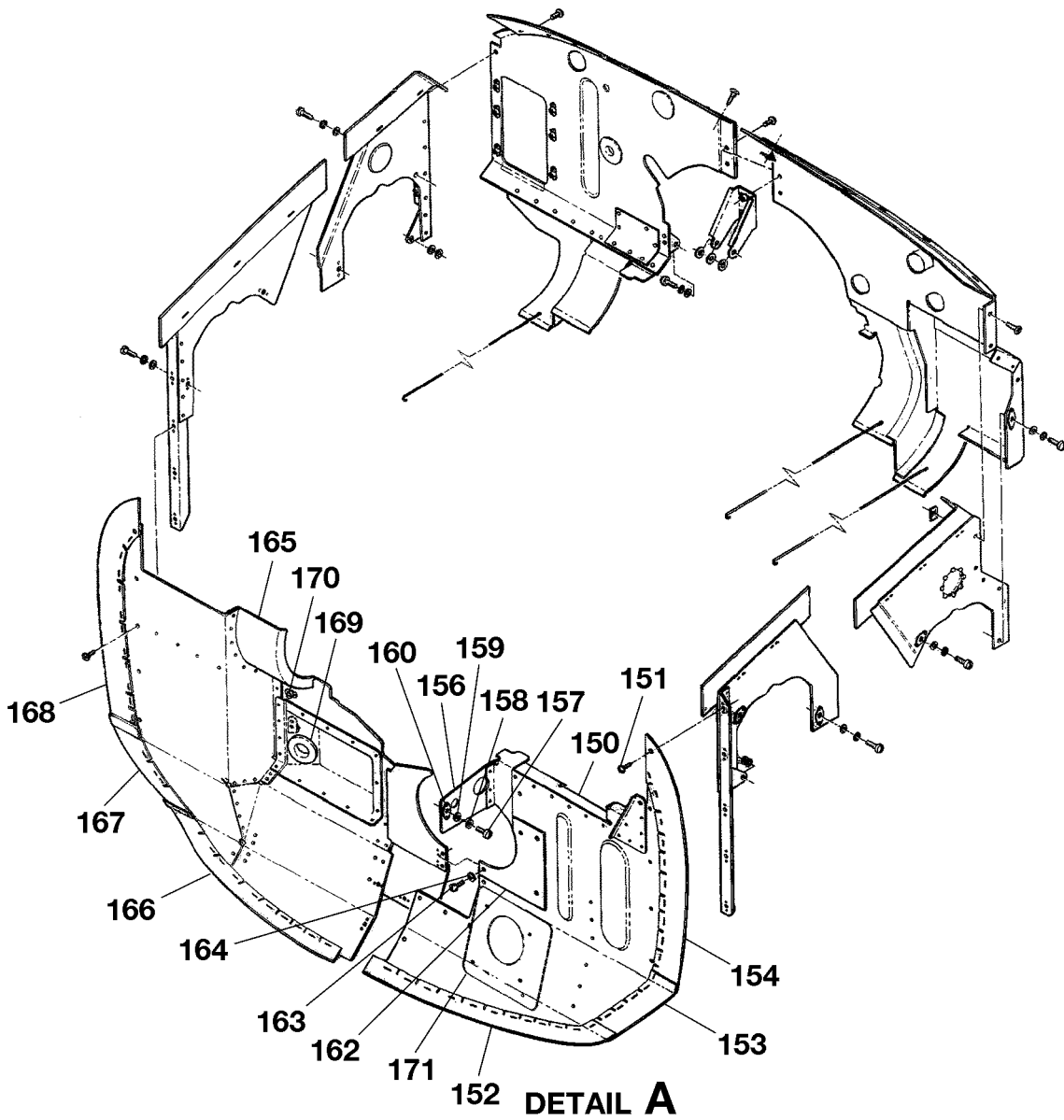
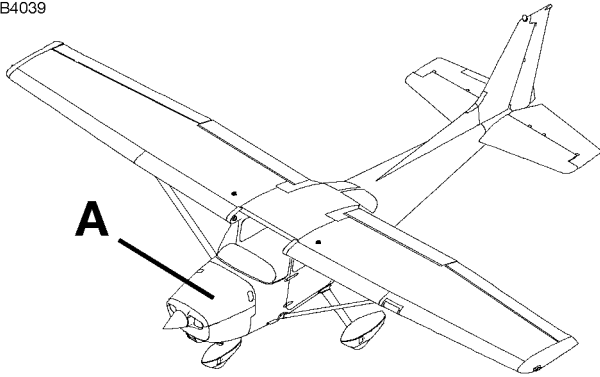
CESSNA AIRCRAFT COMPANY
MODEL 172 (SERIES 1996 AND ON)
ILLUSTRATED PARTS CATALOG

FIG ITEM	PART NUMBER	NOMENCLATURE	UNITS PER ASSY
	1 2 3 4 5 6 7		
01			
75	0509072-1	. BAFFLE ASSY-LH #2 CYLINDER ATTACHING PARTS	01
76	AN500-416-10	. SCREW	02
77	MS35333-40	. WASHER-LOCK, FLAT	02
78	NAS1149F0463P	. WASHER	02
79	AN525-832R6	. SCREW	05
80	NAS1149F0463P	. WASHER —*—	02
81	0509072-4	. . SEAL-BAFFLE	01
82	NAS463W416	. . SHIM	02
83	MS21069L08	. . NUTPLATE	02
84	MS21047L08	. . NUTPLATE	03
85	0555254-1	. . SUPPORT	01
- 86	0509072-3	. . SUPPORT	01
87	0509074-1	. BAFFLE ASSY-LH #4 CYLINDER ATTACHING PARTS	01
88	AN500-416-10	. SCREW	02
89	MS35333-40	. WASHER-LOCK, FLAT	02
90	NAS1149F0463P	. WASHER	02
91	S1021Z8-12	. SCREW	04
92	S4215-4	. NUT —*—	04
93	CM2692-48J1S	. . PLUG BUTTON	01
94	NAS463W416	. . SHIM	01
95	0509074-2	. . SEAL	01
96	0509071-1	. BAFFLE ASSY-RH #1 CYLINDER ATTACHING PARTS	01
97	AN500-416-10	. SCREW	02
98	MS35333-40	. WASHER-LOCK, FLAT	02
99	NAS1149F0463P	. WASHER	02
100	AN525-832R6	. SCREW —*—	05
101	0509071-2	. . SEAL-BAFFLE	01
102	NAS463W416	. . SHIM	02
103	MS2169L08	. . NUTPLATE	02
104	MS21047L08	. . NUTPLATE	03
105	0509073-4	. BAFFLE ASSY-RH #3 CYLINDER 172	80001 80697 01
- 105A	0509073-7	. BAFFLE ASSY-RH #3 CYLINDER 172 REFER TO NOTE 1	80698 & ON 01
- 105B	0509073-7	. BAFFLE ASSY-RH #3 CYLINDER 172S ATTACHING PARTS	08001 & ON 01
106	AN500-416-10	. SCREW	02
107	MS35333-40	. WASHER-LOCK, FLAT	02
108	NAS1149F0463P	. WASHER	02
109	AN525-10R6	. SCREW	01
- 110	NAS1149F0463P	. WASHER —*—	02
111	0509073-6	. . SEAL-BAFFLE	01
112	NAS463W416	. . SHIM	01
113	2455034-1	. . SUPPORT-BAFFLE #3 CYLINDER	01
- 114	2455042-1	. . SHIM	01
115	0509075-1	. . SUPPORT ASSY 172	80001 80697 01
- 115A	0509075-3	. . SUPPORT ASSY 172	80698 & ON 01
- 115B	0509075-3	. . SUPPORT ASSY 172S	08001 & ON 01
- 116	AN525-832R6	. SCREW	01
- 117	AN525-10R6	. SCREW	05
- 118	AN970-3	. WASHER	04
- 119	NAS1149F0363P	. WASHER	AR

NOTE 1—AIRPLANES 17280698 AND ON INCORPORATING MK172-72-01C.

CESSNA AIRCRAFT COMPANY
MODEL 172 (SERIES 1996 AND ON)
ILLUSTRATED PARTS CATALOG

B4039



ENGINE Baffles INSTALLATION
FIGURE 01 (SHEET 3)

0510T1007
A0550T2001

CESSNA AIRCRAFT COMPANY MODEL 172 (SERIES 1996 AND ON) ILLUSTRATED PARTS CATALOG

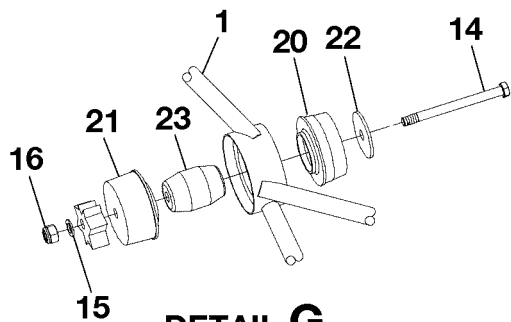
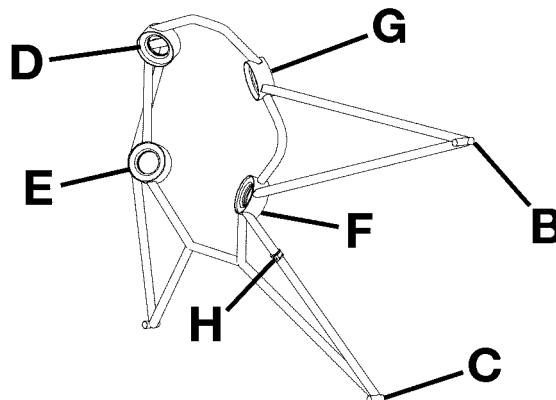
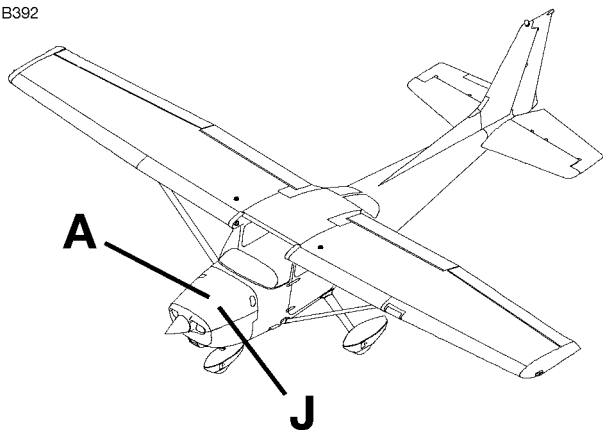
FIG ITEM	PART NUMBER	NOMENCLATURE	UNITS PER ASSY
		1 2 3 4 5 6 7	
01			
150	0555259-18	. BAFFLE ASSY-LH FWD VERTICAL 172	80001 80697 01
- 150A	0555259-20	. BAFFLE ASSY-LH FWD VERTICAL 172 FSO 0555259-28	80698 81124 NP
- 150B	0555259-20	. BAFFLE ASSY-LH FWD VERTICAL 172S FSO 0555259-28	08001 09175 NP
- 150C	0555259-22	. BAFFLE ASSY-LH FWD VERTICAL 172 FSO 0555259-28	81125 81201 NP
- 150D	0555259-22	. BAFFLE ASSY-LH FWD VERTICAL 172S FSO 0555259-28	09176 09575 NP
- 150E	0555259-24	. BAFFLE ASSY-LH FWD VERTICAL 172 FSO 0555259-28	81202 81622 NP
- 150F	0555259-24	. BAFFLE ASSY-LH FWD VERTICAL 172S FSO 0555259-28	09576 11435 NP
- 150G	0555259-28	. BAFFLE ASSY-LH FWD VERTICAL 172	81623 & ON 01
- 150H	0555259-28	. BAFFLE ASSY-LH FWD VERTICAL 172S	11436 & ON 01
		ATTACHING PARTS	
151	AN525-10R6	. SCREW	02
		—*—	
152	0555259-10	. . SEAL-LOWER BAFFLE 172 FSO 0555259-25 REFER TO NOTE 1	80001 81201 NP
- 152A	0555259-10	. . SEAL-LOWER BAFFLE 172S FSO 0555259-25 REFER TO NOTE 1	08001 09575 NP
- 152B	0555259-25	. . SEAL-LOWER BAFFLE 172 REFER TO NOTE 2	81202 & ON 01
- 152C	0555259-25	. . SEAL-LOWER BAFFLE 172S REFER TO NOTE 2	09576 & ON 01
153	0555259-11	. . SEAL-LH BAFFLE 172 FSO 0555259-26 REFER TO NOTE 1	80001 81201 NP
- 153A	0555259-11	. . SEAL-LH BAFFLE 172S FSO 0555259-26 REFER TO NOTE 1	08001 09575 NP
- 153B	0555259-26	. . SEAL-LH BAFFLE 172 REFER TO NOTE 2	81202 & ON 01
- 153C	0555259-26	. . SEAL-LH BAFFLE 172S REFER TO NOTE 2	09576 & ON 01
154	0555259-12	. . SEAL-UPPER BAFFLE 172 FSO 0555259-27 REFER TO NOTE 1	80001 81201 NP
- 154A	0555259-12	. . SEAL-UPPER BAFFLE 172S FSO 0555259-27 REFER TO NOTE 1	08001 09575 NP
- 154B	0555259-27	. . SEAL-UPPER BAFFLE 172 FSO 0555331-2 REFER TO NOTE 2	81202 81622 NP
- 154C	0555259-27	. . SEAL-UPPER BAFFLE 172S FSO 0555331-2 REFER TO NOTE 2	09576 11435 NP
- 154D	0555331-2	. . SEAL-LH FWD BAFFLE 172	81623 & ON 01
- 154E	0555331-2	. . SEAL-LH FWD BAFFLE 172S	11436 & ON 01
- 155	0509079-1	. . SEAL-BAFFLE 172	80001 80697 01
156	0555325-1	. ADAPTOR ASSY	01
		ATTACHING PARTS	
157	AN500-416-10	. SCREW	02
158	MS35333-40	. WASHER-LOCK, FLAT	02
159	NAS1149F0463P	. WASHER	02
		—*—	
160	NAS463W416	. . SHIM-ANCHOR NUT	02
- 161	MS21059-3	. . NUTPLATE	02
- 161A	NAS1791A3-1N	. . NUTPLATE ALT FOR MS21059-3	02
162	0555324-19	. CLOSEOUT	01
		ATTACHING PARTS	
163	MS35206-24S	. SCREW	03
164	NAS1149FN816P	. WASHER	03
		—*—	
165	0555250-11	. BAFFLE ASSY-RH FWD VERTICAL 172	80001 80697 01
- 165A	0555250-13	. BAFFLE ASSY-RH FWD VERTICAL 172 FSO 0555250-21	80698 81124 NP
- 165B	0555250-13	. BAFFLE ASSY-RH FWD VERTICAL 172S FSO 0555250-21	08001 09175 NP
- 165C	0555250-14	. BAFFLE ASSY-RH FWD VERTICAL 172 FSO 0555250-21	81125 81201 NP
- 165D	0555250-14	. BAFFLE ASSY-RH FWD VERTICAL 172S FSO 0555250-21	09176 09575 NP
- 165E	0555250-16	. BAFFLE ASSY-RH FWD VERTICAL 172 FSO 0555250-21	81202 81376 NP
- 165F	0555250-16	. BAFFLE ASSY-RH FWD VERTICAL 172S FSO 0555250-21	09576 10461 NP
- 165G	0555250-20	. BAFFLE ASSY-RH FWD VERTICAL 172 FSO 0555250-21	81377 81622 NP
- 165H	0555250-20	. BAFFLE ASSY-RH FWD VERTICAL 172S FSO 0555250-21	10462 11435 NP
- 165J	0555250-21	. BAFFLE ASSY-RH FWD VERTICAL 172	81623 & ON 01
- 165K	0555250-21	. BAFFLE ASSY-RH FWD VERTICAL 172S	11436 & ON 01
166	0555250-5	. . SEAL-LOWER BAFFLE 172 FSO 0555250-17 REFER TO NOTE 1	80001 81201 NP
- 166A	0555250-5	. . SEAL-LOWER BAFFLE 172S FSO 0555250-17 REFER TO NOTE 1	08001 09575 NP
- 166B	0555250-17	. . SEAL-LOWER BAFFLE 172 REFER TO NOTE 2	81202 & ON 01
- 166C	0555250-17	. . SEAL-LOWER BAFFLE 172S REFER TO NOTE 2	09576 & ON 01
167	0555250-6	. . SEAL-RH BAFFLE 172 FSO 0555250-18 REFER TO NOTE 1	80001 81201 NP
- 167A	0555250-6	. . SEAL-RH BAFFLE 172S FSO 0555250-18 REFER TO NOTE 1	08001 09575 NP
- 167B	0555250-18	. . SEAL-RH BAFFLE 172 REFER TO NOTE 2	81202 & ON 01
- 167C	0555250-18	. . SEAL-RH BAFFLE 172S REFER TO NOTE 2	09576 & ON 01
168	0555250-7	. . SEAL-UPPER BAFFLE 172 FSO 0555250-19 REFER TO NOTE 1	80001 81201 NP
- 168A	0555250-7	. . SEAL-UPPER BAFFLE 172S FSO 0555250-19 REFER TO NOTE 1	08001 09575 NP
- 168B	0555250-19	. . SEAL-UPPER BAFFLE 172 FSO 0555331-1 REFER TO NOTE 2	81202 81622 NP
- 168C	0555250-19	. . SEAL-UPPER BAFFLE 172S FSO 0555331-1 REFER TO NOTE 2	09576 11435 NP
- 168D	0555331-1	. . SEAL-RH FWD BAFFLE 172	81623 & ON 01
- 168E	0555331-1	. . SEAL-RH FWD BAFFLE 172S	11436 & ON 01
169	MS35489-22	. . GROMMET	01
170	MS21047L3	. . NUTPLATE	01
171	0509079-2	. SEAL 172	01

NOTE 1—AIRPLANES 17281202 AND ON, AIRPLANES 172S09771 AND ON, AND AIRPLANES 17280725 THRU 17281262 AND AIRPLANES 172S8202 THRU AIRPLANES 172S10006 INCORPORATING SB08-53-01.

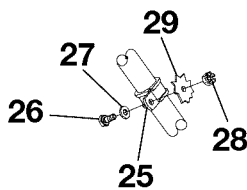
NOTE 2—AIRPLANES 17280725 THRU 17281262 AND AIRPLANES 172S8202 THRU AIRPLANES 172S10006 NOT INCORPORATING SB08-53-01.

CESSNA AIRCRAFT COMPANY
MODEL 172 (SERIES 1996 AND ON)
 ILLUSTRATED PARTS CATALOG

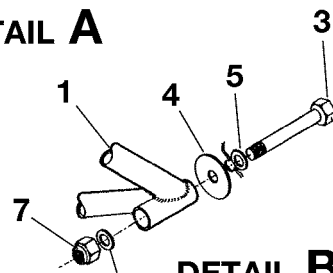
B392



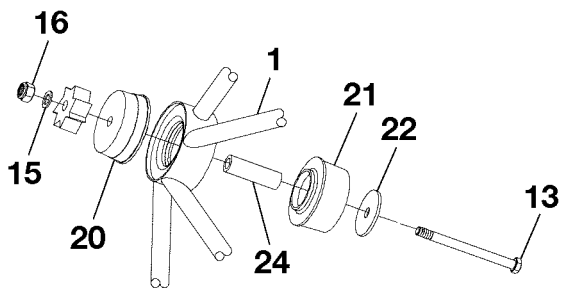
DETAIL G
UPPER LEFT



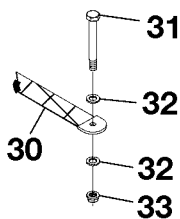
DETAIL H



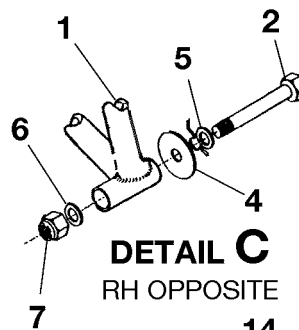
DETAIL B
RH OPPOSITE



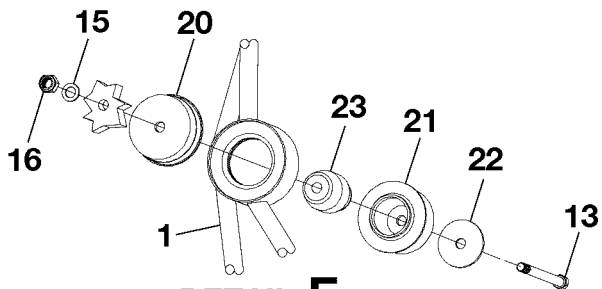
DETAIL F
LOWER LEFT



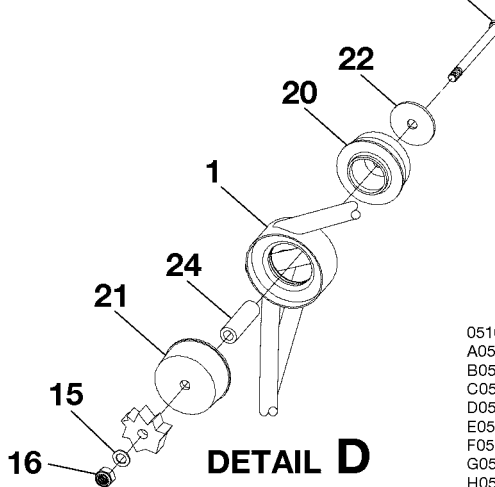
DETAIL J



DETAIL C
RH OPPOSITE



DETAIL E
LOWER RIGHT



DETAIL D
UPPER RIGHT

0510T1007
 A0551T1008
 B0551T1001
 C0551T1001
 D0551T1005
 E0551T1007
 F0551T1006
 G0551T1004
 H0513T1012
 J0751T1005

ENGINE MOUNT INSTALLATION
 FIGURE 01 (SHEET 1)

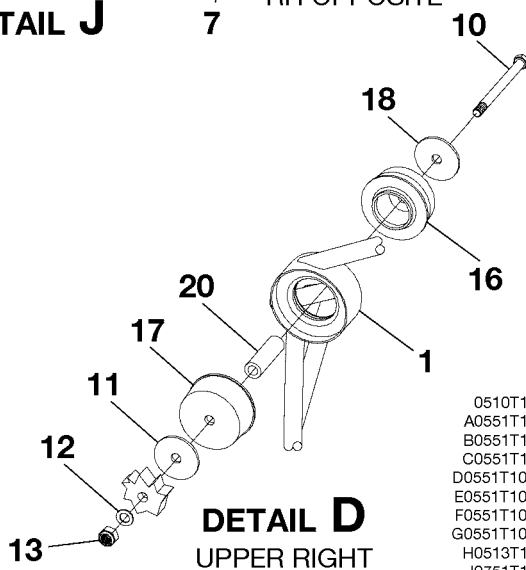
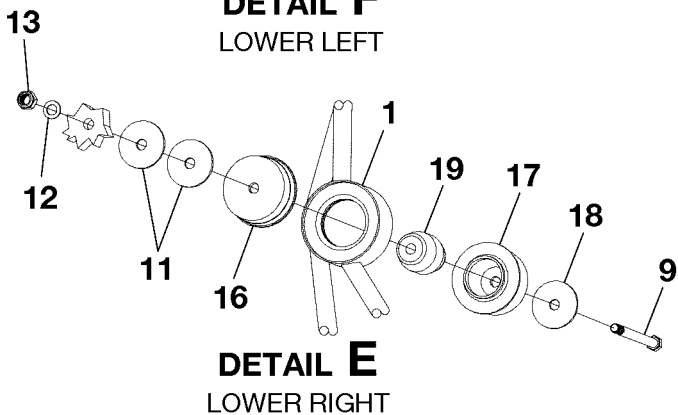
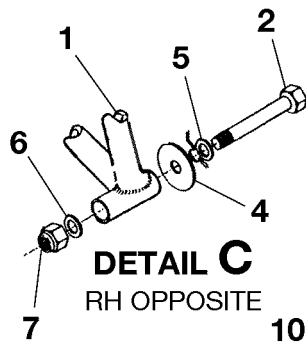
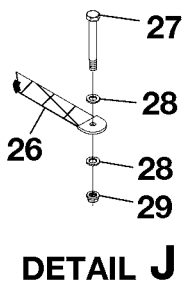
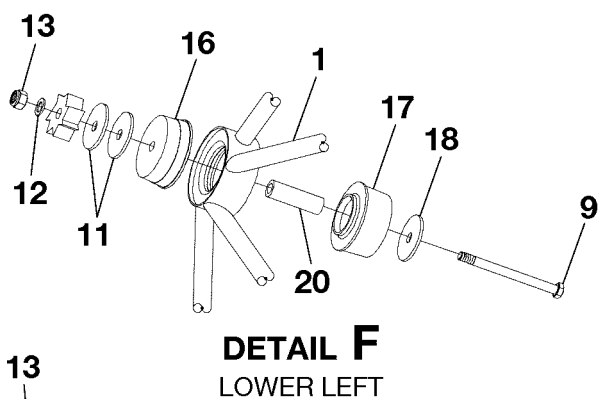
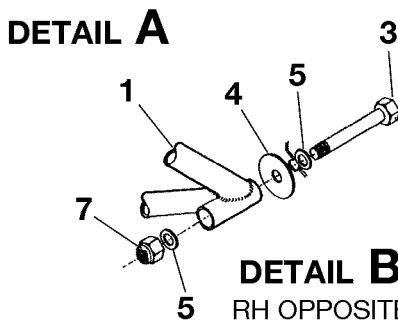
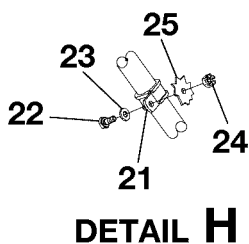
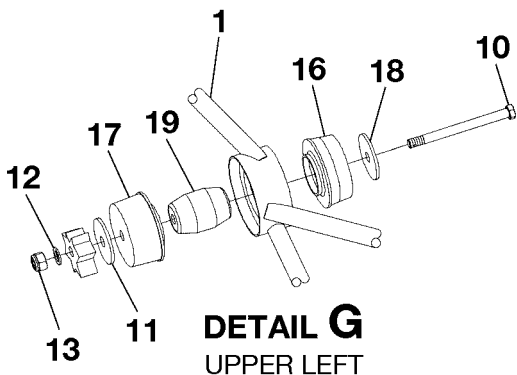
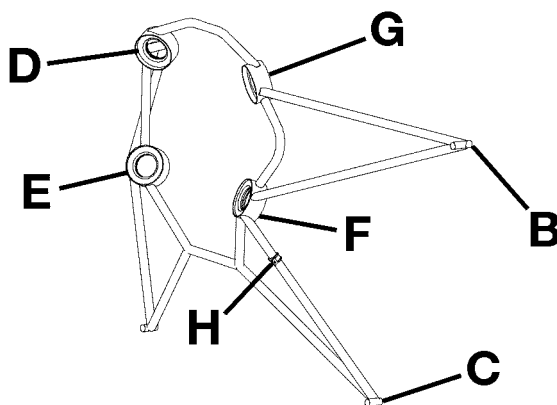
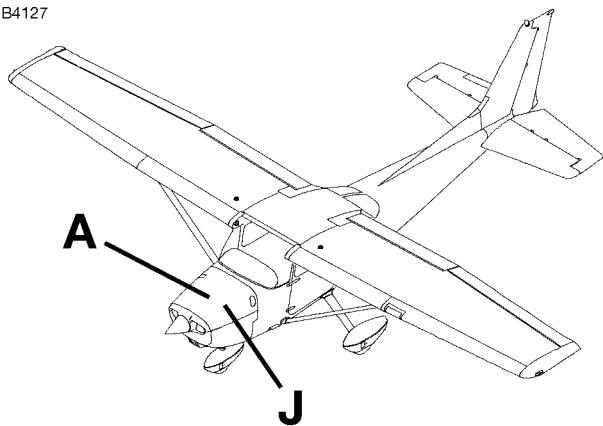
CESSNA AIRCRAFT COMPANY
MODEL 172 (SERIES 1996 AND ON)
ILLUSTRATED PARTS CATALOG

FIG ITEM	PART NUMBER	NOMENCLATURE	UNITS		
			PER	ASSY	
01					
-		ENGINE MOUNT INSTALLATION	80001	80746	RF
			08001	08224	
1	0551023-25	. ENGINE MOUNT ASSY			01
		ATTACHING PARTS			
2	AN6-23A	. BOLT LOWER-RH & LH			02
3	AN6-27A	. BOLT UPPER-RH & LH			02
4	S1450-23H16-095	. WASHER-UPPER & LOWER RH/UPPER & LOWER LH			04
5	NAS1149F0663P	. WASHER 2 RH & LH UPPER/1 RH & LH LOWER			06
6	NAS1149F0632P	. WASHER LOWER RH & LH			02
7	MS21044N6	. NUT-UPPER & LOWER RH/UPPER & LOWER LH 172	80001	80058	04
- 8	MS21045L6	. NUT-UPPER & LOWER RH/UPPER & LOWER LH 172	80059	80746	04
- 8A	MS21045L6	. NUT-UPPER & LOWER RH/UPPER & LOWER LH 172S			04
		—*—			
- 9	C299501-0101	. SHOCK MOUNT KIT-RH LOWER & LH UPPER 172 FSO J-9316-49	80001	80058	NP
- 10	C299501-0106	. SHOCK MOUNT KIT-LH LOWER & RH UPPER 172 FSO J-9316-72	80001	80058	NP
- 11	J23502-1	. SHOCK MOUNT-COMPLETE KIT 172	V76005	80059	01
- 12	J23502-1	. SHOCK MOUNT-COMPLETE KIT 172S	V76005		01
		ATTACHING PARTS			
13	AN7-45A	. BOLT-LOWER RH & LH			02 R
14	AN7-44A	. BOLT-UPPER RH & LH			02 R
15	NAS1149F0763P	. WASHER-UPPER & LOWER RH/UPPER & LOWER LH			04
16	MS21044N7	. NUT-UPPER & LOWER RH/UPPER & LOWER LH 172	80001	80058	04
- 17	MS21045L7	. NUT-UPPER & LOWER RH/UPPER & LOWER LH 172	80059	80746	04
- 17A	MS21045L7	. NUT-UPPER & LOWER RH/UPPER & LOWER LH 172S			04
		—*—			
- 18	J9613-49	. SHOCK MOUNT KIT-LOWER RH & UPPER LH	V76005		02
- 19	J9613-72	. SHOCK MOUNT KIT-LOWER LH & UPPER RH	V76005		02
20	J7763-33	. . . MOUNT-UPPER & LOWER RH/UPPER & LOWER LH	V76005		04
21	J9612-8	. . . MOUNT-UPPER & LOWER RH/UPPER & LOWER LH	V76005		04
22	J2218-61	. . . WASHER-UPPER & LOWER RH/UPPER & LOWER LH	V76005		04
23	J12334-1	. . . DAMPER-LOWER RH & UPPER LH	V76005		02
24	Y-16440-2-148	. . . SPACER-LOWER LH & UPPER RH	V76005		02
25	MS21919WDG12	. CLAMP			01
		ATTACHING PARTS			
26	AN3C3	. BOLT			01
27	NAS1149F0363P	. WASHER			01
28	MS17825-3	. NUT			01
		—*—			
29		. BATTERY TRAY ASSY REFER TO 53-10-00 FIGURE 02			RF
30	0412007-8	. STRAP			01
		ATTACHING PARTS			
31	AN4-4A	. BOLT			01
32	NAS1149F0463P	. WASHER			02
33	MS21045L4	. NUT			01

- ITEM NOT ILLUSTRATED

CESSNA AIRCRAFT COMPANY
MODEL 172 (SERIES 1996 AND ON)
 ILLUSTRATED PARTS CATALOG

B4127



0510T1007
 A0551T1008
 B0551T1001
 C0551T1001
 D0551T1005A
 E0551T1007A
 F0551T1006A
 G0551T1004A
 H0513T1012
 J0751T1005

ENGINE MOUNT INSTALLATION
 FIGURE 02 (SHEET 1)

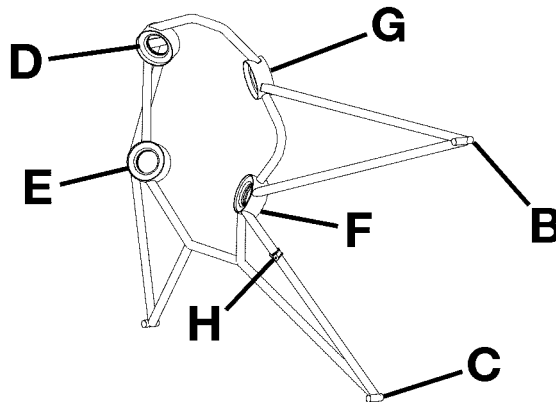
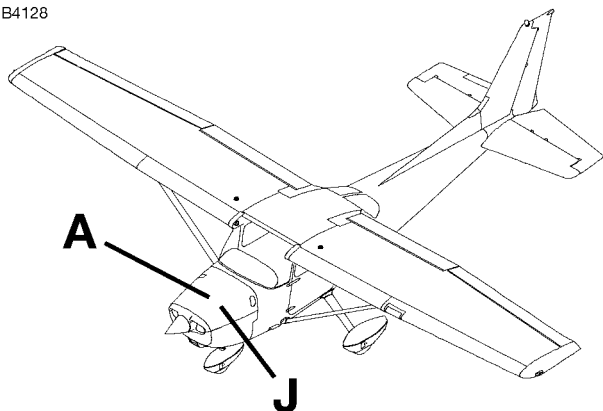
CESSNA AIRCRAFT COMPANY
MODEL 172 (SERIES 1996 AND ON)
ILLUSTRATED PARTS CATALOG

FIG ITEM	PART NUMBER	NOMENCLATURE	UNITS PER ASSY		
			1	2	3
02					
-		ENGINE MOUNT INSTALLATION		80747 80864	RF
				08225 08385	
1	0551023-25	. ENGINE MOUNT ASSY			01
		. ATTACHING PARTS			
2	AN6-23A	. BOLT LOWER-RH & LH			02
3	AN6-27A	. BOLT UPPER-RH & LH			02
4	S1450-23H16-095	. WASHER-UPPER & LOWER RH/UPPER & LOWER LH			04
5	NAS1149F0663P	. WASHER 2 RH & LH UPPER/1 RH & LH LOWER			06
6	NAS1149F0632P	. WASHER LOWER RH & LH			02
7	MS21045L6	. NUT-UPPER & LOWER RH/UPPER & LOWER LH			04
		—*—			
- 8	J23502-1	. SHOCK MOUNT-COMplete KIT V76005			01
		. ATTACHING PARTS			
9	AN7-45A	. BOLT-LOWER RH & LH REFER TO NOTE 1			02
10	AN7-44A	. BOLT-UPPER RH & LH REFER TO NOTE 1			02
11	S1450-7N32-125	. WASHER-1 RH & LH UPPER/2 RH & LH LOWER REFER TO NOTE 1			06
12	NAS1149F0763P	. WASHER-UPPER & LOWER RH/UPPER & LOWER LH			04
13	MS21045L7	. NUT-UPPER & LOWER RH/UPPER & LOWER LH			04
		—*—			
- 14	J9613-49	. . SHOCK MOUNT KIT-LOWER RH & UPPER LH V76005			02
- 15	J9313-72	. . SHOCK MOUNT KIT-LOWER LH & UPPER RH V76005			02
16	J7763-33	. . . MOUNT-UPPER & LOWER RH/UPPER & LOWER LH V76005			04
17	J9612-8	. . . MOUNT-UPPER & LOWER RH/UPPER & LOWER LH V76005			04
18	J2218-61	. . . WASHER-UPPER & LOWER RH/UPPER & LOWER LH V76005			04 R
19	J12334-1	. . . DAMPER-LOWER RH & UPPER LH V76005			02
20	Y-16440-2-148	. . . SPACER-LOWER LH & UPPER RH V76005			02
21	MS21919WDG12	. CLAMP			01
		. ATTACHING PARTS			
22	AN3C3	. BOLT			01
23	NAS1149F0363P	. WASHER			01
24	MS17825-3	. NUT			01
		—*—			
25		. BATTERY TRAY ASSY REFER TO 53-10-00 FIGURE 02			RF
26	0412007-8	. STRAP			01
27	AN4-4A	. BOLT			01
28	NAS1149F0463P	. WASHER			02
29	MS21045L4	. NUT			01

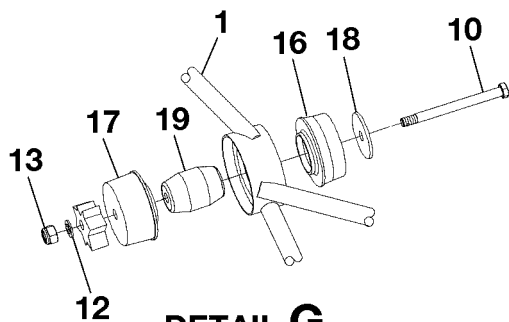
NOTE 1—AIRPLANES 17280747 THRU 17280864 AND AIRPLANES 17280001 THRU 17280746 AND AIRPLANES 172S8225 THRU 172S8385 AND AIRPLANES 172S8001 THRU 172S8224 INCORPORATING SB99-71-02.

CESSNA AIRCRAFT COMPANY
MODEL 172 (SERIES 1996 AND ON)
 ILLUSTRATED PARTS CATALOG

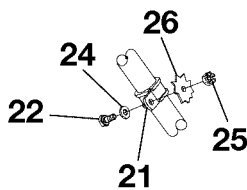
B4128



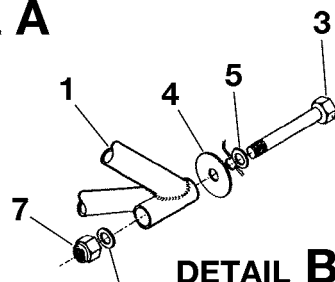
DETAIL A



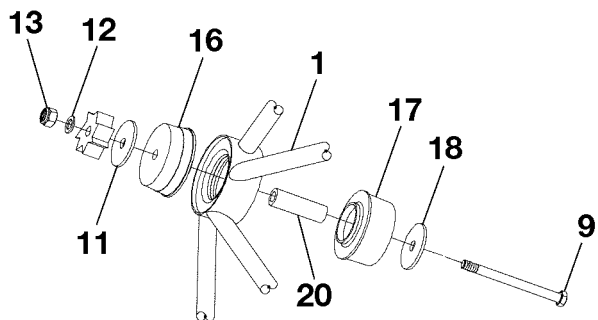
DETAIL G
UPPER LEFT



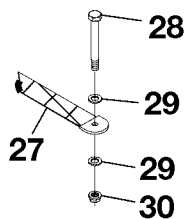
DETAIL H



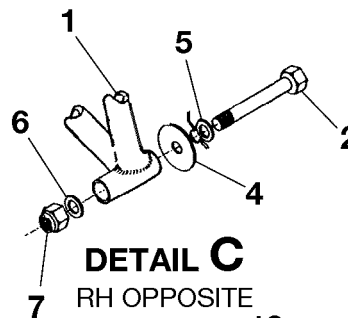
DETAIL B
RH OPPOSITE



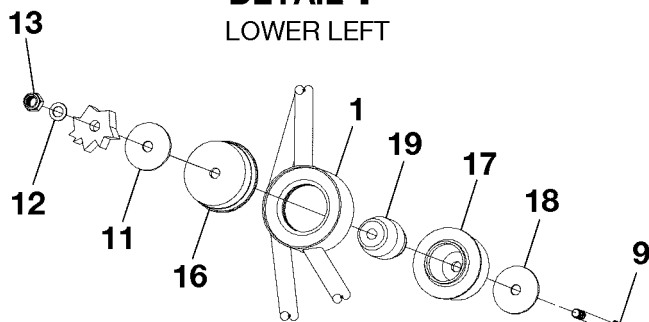
DETAIL F
LOWER LEFT



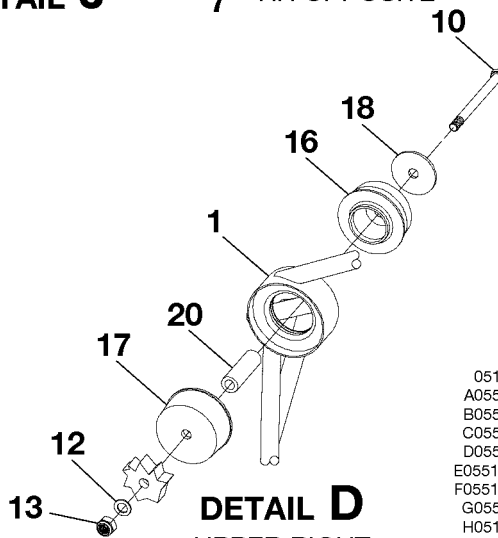
DETAIL J



DETAIL C
RH OPPOSITE



DETAIL E
LOWER RIGHT



DETAIL D
UPPER RIGHT

0510T1007
 A0551T1008
 B0551T1001
 C0551T1001
 D0551T1005
 E0551T1007B
 F0551T1006B
 G0551T1004
 H0513T1012
 J0751T1005

ENGINE MOUNT INSTALLATION
 FIGURE 03 (SHEET 1)

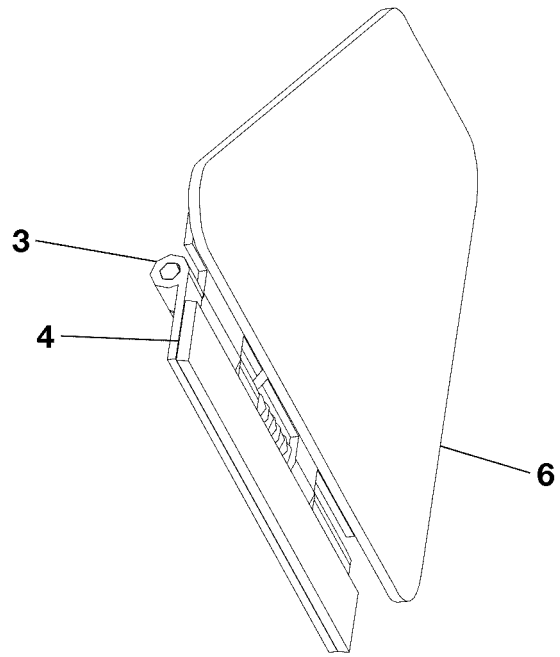
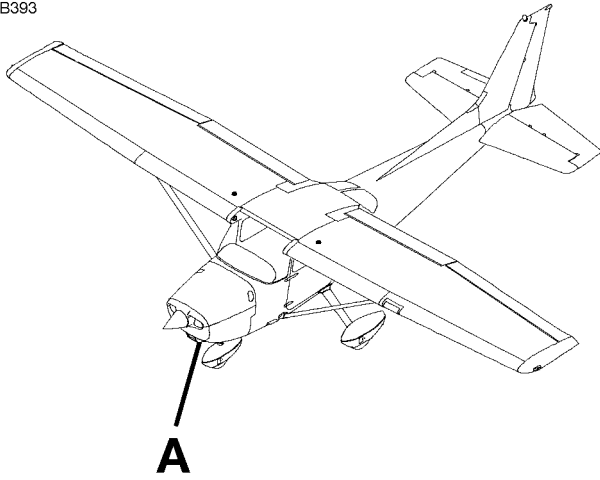
CESSNA AIRCRAFT COMPANY
MODEL 172 (SERIES 1996 AND ON)
ILLUSTRATED PARTS CATALOG

FIG ITEM	PART NUMBER	NOMENCLATURE	UNITS PER ASSY		
			1	2	3
03					
-		ENGINE MOUNT INSTALLATION		80865 & ON	RF
				08386 & ON	
1	0551023-25	. ENGINE MOUNT ASSY			01
		. ATTACHING PARTS			
2	AN6-23A	. BOLT LOWER-RH & LH			02
3	AN6-27A	. BOLT UPPER-RH & LH			02
4	S1450-23H16-095	. WASHER-UPPER & LOWER RH/UPPER & LOWER LH			04
5	NAS1149F0663P	. WASHER 2 RH & LH UPPER/1 RH & LH LOWER			06
6	NAS1149F0632P	. WASHER LOWER RH & LH			02
7	MS21045L6	. NUT-UPPER & LOWER RH/UPPER & LOWER LH			04
		—*—			
- 8	J23502-1	. SHOCK MOUNT-COMplete KIT V76005			01
		. ATTACHING PARTS			
9	AN7-45A	. BOLT-LOWER RH & LH			02 R
10	AN7-44A	. BOLT-UPPER RH & LH			02 R
11	S1450-7N32-125	. WASHER-LOWER RH & LH			02
12	NAS1149F0763P	. WASHER-UPPER & LOWER RH/UPPER & LOWER LH			04
13	MS21045L7	. NUT-UPPER & LOWER RH/UPPER & LOWER LH			04
		—*—			
- 14	J9613-49	. . SHOCK MOUNT KIT-LOWER RH & UPPER LH V76005			02
- 15	J9613-72	. . SHOCK MOUNT KIT-LOWER LH & UPPER RH V76005			02
16	J7763-33	. . . MOUNT-UPPER & LOWER RH/UPPER & LOWER LH V76005			04
17	J9612-8	. . . MOUNT-UPPER & LOWER RH/UPPER & LOWER LH V76005			04
18	J2218-61	. . . WASHER-UPPER & LOWER RH/UPPER & LOWER LH V76005			04
19	J12334-1	. . . DAMPER-LOWER RH & UPPER LH V76005			02
20	Y-16440-2-148	. . . SPACER-LOWER LH & UPPER RH V76005			02
21	MS21919WDG12	. CLAMP			01
		. ATTACHING PARTS			
22	AN3C3	. BOLT 172	80865	81266	01
- 22A	AN3C3	. BOLT 172S	08386	10047	01
- 23	AN525-10R7	. SCREW 172	81267	& ON	01
- 23A	AN525-10R7	. SCREW 172S	10048	& ON	01
24	NAS1149F0363P	. WASHER 172	80865	81266	01
- 24A	NAS1149F0363P	. WASHER 172S	08386	10047	01
25	MS17825-3	. NUT 172	80865	81266	01
- 25A	MS17825-3	. NUT 172S	08386	10047	01
		—*—			
26		. BATTERY TRAY ASSY REFER TO 53-10-00 FIGURE 02			RF
27	0412007-8	. STRAP			01
28	AN4-4A	. BOLT			01
29	NAS1149F0463P	. WASHER			02
30	MS21045L4	. NUT			01

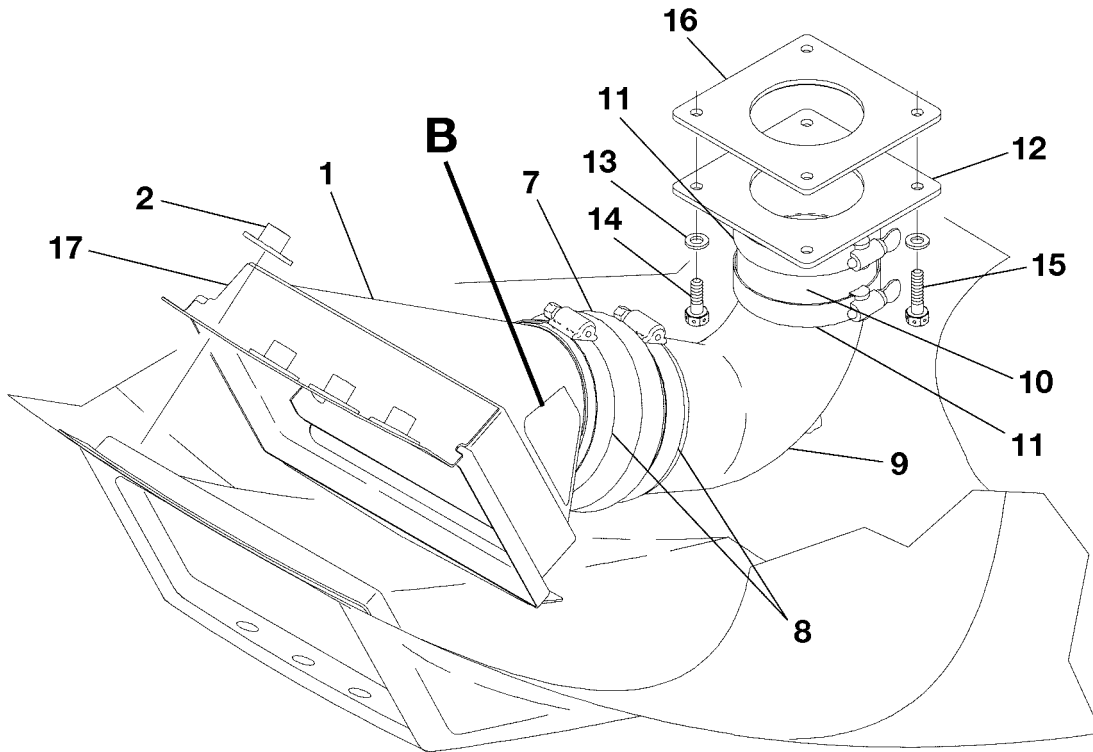
- ITEM NOT ILLUSTRATED

CESSNA AIRCRAFT COMPANY
MODEL 172 (SERIES 1996 AND ON)
ILLUSTRATED PARTS CATALOG

B393



DETAIL B



DETAIL A

INDUCTION AIR INSTALLATION
FIGURE 01 (SHEET 1)

0510T1007
A0550T1002
B0550T1003

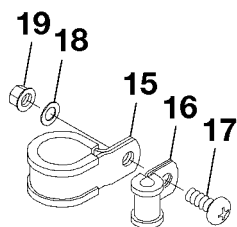
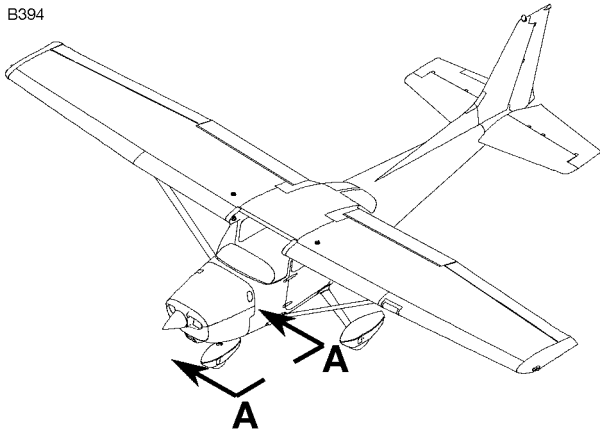
CESSNA AIRCRAFT COMPANY
MODEL 172 (SERIES 1996 AND ON)
ILLUSTRATED PARTS CATALOG

FIG ITEM	PART NUMBER	NOMENCLATURE	UNITS PER ASSY
	1 2 3 4 5 6 7		
01		INDUCTION AIR INSTALLATION	
-			RF
1	0550364-13	. AIR FILTER BOX ASSY 172	80952 & ON 01
- 1A	0550364-13	. AIR FILTER BOX ASSY 172S	08590 & ON 01
- 1B	0550364-7	. AIR FILTER BOX ASSY FSO 0550364-13 172	80586 80951 NP
- 1C	0550364-7	. AIR FILTER BOX ASSY FSO 0550364-13 172S	08001 08589 NP
- 1D	0550364-1	. AIR FILTER BOX ASSY FSO 0550364-13 172	80142 80585 NP
- 1E	0550361-16	. AIR FILTER BOX ASSY FSO 0550364-13 172	80001 80141 NP
2	S2319-50	. . RECEPTACLE	08
- 2A	S2319-52	. . RECEPTACLE ALT FOR S2319-50	08 R
3	0550364-9	. . HINGE ASSY 172S	01
- 3A	0550364-9	. . HINGE ASSY 172	80586 & ON 01
- 3B	0550361-29	. . HINGE ASSY 172 FSO 0550364-9	80119 80585 NP
- 3C	0550361-26	. . HINGE ASSY 172 FSO 0550364-9	80001 80118 NP
- 3D	0550361-30	. . . HINGE PIN	01
- 3E	0550361-25	. . . SPRING	01
4	0550361-12	. . SPACER	01
- 5	0550364-6	. . SCREEN	80142 & ON 01
6	0550361-24	. . DOOR-INDUCTION AIR	01
7	S3297-1	. . DUCT	01
		ATTACHING PARTS	
8	S1891-56S	. . CLAMP	02
		—*—	
9	0550362-3	. . AIR INDUCTION ELBOW ASSY	01
10	S2482-250	. . COUPLER 2.38 IN LG BKI	01
		ATTACHING PARTS	
11	S1891-40S	. . CLAMP	02
		—*—	
12	2052031-12	. . INLET ADAPTER ASSY	01
		ATTACHING PARTS	
13	NAS1149F0463P	. . WASHER	02
14	MS20074-04-06	. . BOLT-FWD	02
15		. . BOLT-AFT REFER TO 76-11-00 FIGURE 01	RF
		—*—	
16	2050005-1	. . GASKET	01
17	P198281	. . AIR FILTER 172S	VASFS 08001 & ON 01
- 17A	P198281	. . AIR FILTER 172 REFER TO NOTE 1	VASFS 80586 & ON 01
- 17B	CA3559	. . AIR FILTER	VASFS 80001 80585 01
- 18		. . ENGINE COWL REFER TO 71-10-00 FIGURE 01	RF
- 19		. . FUEL MIXTURE CONTROL REFER TO 76-11-00 FIGURE 01	RF

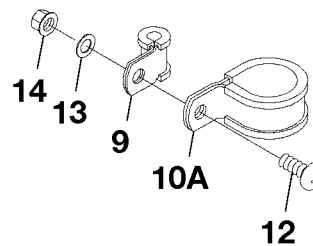
NOTE 1—AIRPLANES 17280586 AND ON AND AIRPLANES 17280001 THRU 17280016 AND 17280018 THRU 17280585 INCORPORATING SB98-71-02

CESSNA AIRCRAFT COMPANY
MODEL 172 (SERIES 1996 AND ON)
 ILLUSTRATED PARTS CATALOG

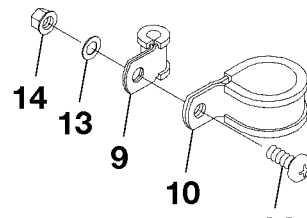
B394



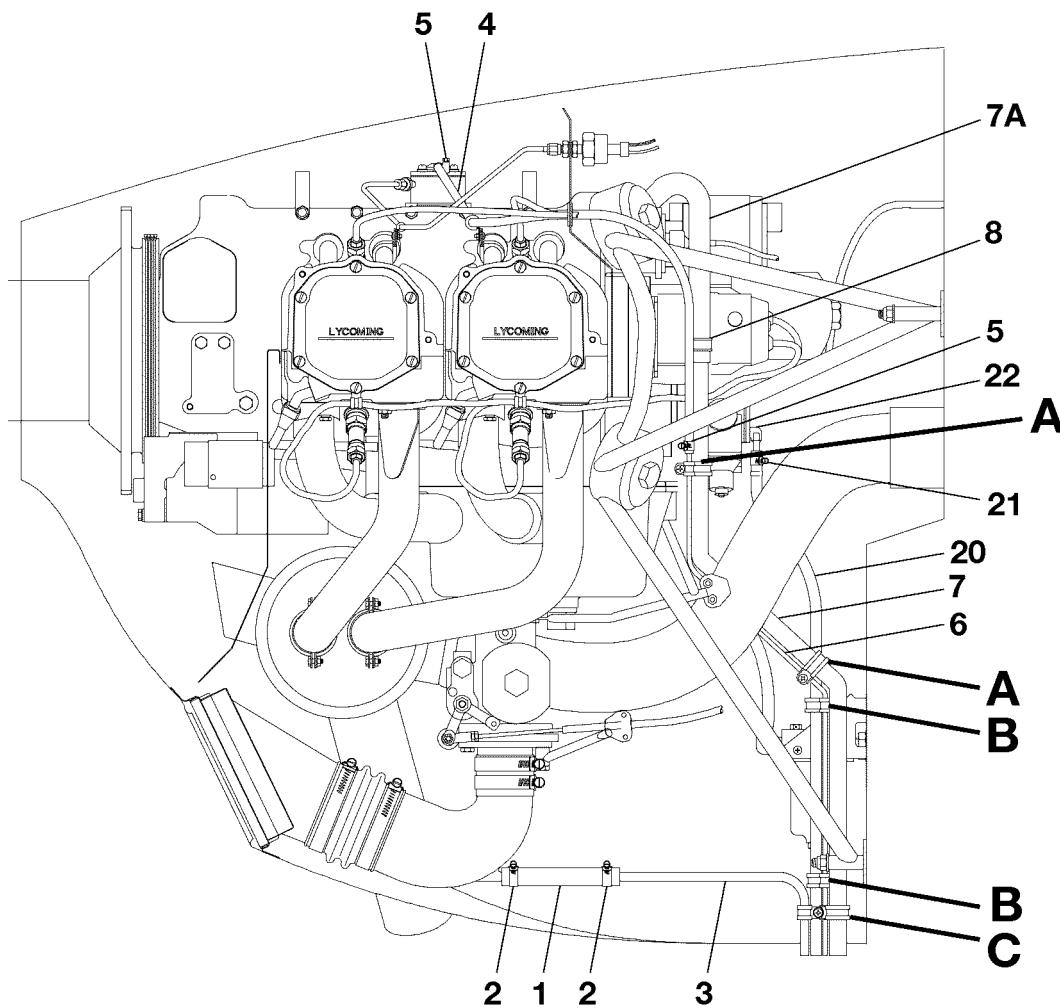
DETAIL A



DETAIL B



DETAIL C



VIEW A-A

ENGINE DRAIN LINES INSTALLATION
 FIGURE 01 (SHEET 1)

0510T1007
 AA0556T1003
 A0556T1003
 B0556T1003
 C0556T1003

CESSNA AIRCRAFT COMPANY
MODEL 172 (SERIES 1996 AND ON)
ILLUSTRATED PARTS CATALOG

FIG ITEM	PART NUMBER	NOMENCLATURE	UNITS	
			PER	ASSY
01		ENGINE DRAIN LINES INSTALLATION		RF
-				
1	S51-6	. HOSE-INLET DRAIN 5.00 IN LG BKI REPLACES S2554-6		AR
- 1A	S2554-6	. RUBBER FSO S51-6		NP
		ATTACHING PARTS		
2	S2357-3	. CLAMP		02

3	0500118-171	. LINE-INLET DRAIN		01
4	S1495-3	. HOSE-FUEL DISTRIBUTION VALVE DRAIN		01
		ATTACHING PARTS		
5	S2357-1	. CLAMP		02

6	0500118-172	. LINE-FUEL DISTRIBUTION VALVE DRAIN FSO 0500118-194 172	80964 & ON	01
- 6A	0500118-172	. LINE-FUEL DISTRIBUTION VALVE DRAIN FSO 0500118-194 172S	08635 & ON	01
- 6B	0500118-194	. LINE-FUEL DISTRIBUTION VALVE DRAIN	80001 80963	NP
- 6C	0500118-194	. LINE-FUEL DISTRIBUTION VALVE DRAIN	08001 08634	NP
7	0500118-167	. BREATHER LINE		01 R
7A	S1495-12-15.00	. HOSE		01 R
8	MS21919WDG17	. CLAMP		01
9	MS21919WDG3	. CLAMP		03
10	MS21919WDG12	. CLAMP		03
10A	MS21919WDG10	. CLAMP		02 R
- 11	MS21919WDG6	. CLAMP		02
		ATTACHING PARTS		
12	MS35207-263	. SCREW		01
		ATTACHING PARTS		
12A	MS35207-264	. SCREW		01 R
13	NAS1149D0332K	. WASHER		01
14	MS21042L3	. NUT		01

15	MS21919WDG12	. CLAMP		04 R
16	MS21919WDG3	. CLAMP		03
		ATTACHING PARTS		
17	MS35207-263	. SCREW		01
18	NAS1149D0332K	. WASHER		01
19	MS21042L3	. NUT		01

20	S2554-4	. HOSE		01
21	S2357-1	. CLAMP		01
22	AN842-4D	. ELBOW		01

- ITEM NOT ILLUSTRATED

CHAPTER

73

**ENGINE
FUEL AND
CONTROL**

CESSNA AIRCRAFT COMPANY
MODEL 172 (SERIES 1996 AND ON)
ILLUSTRATED PARTS CATALOG

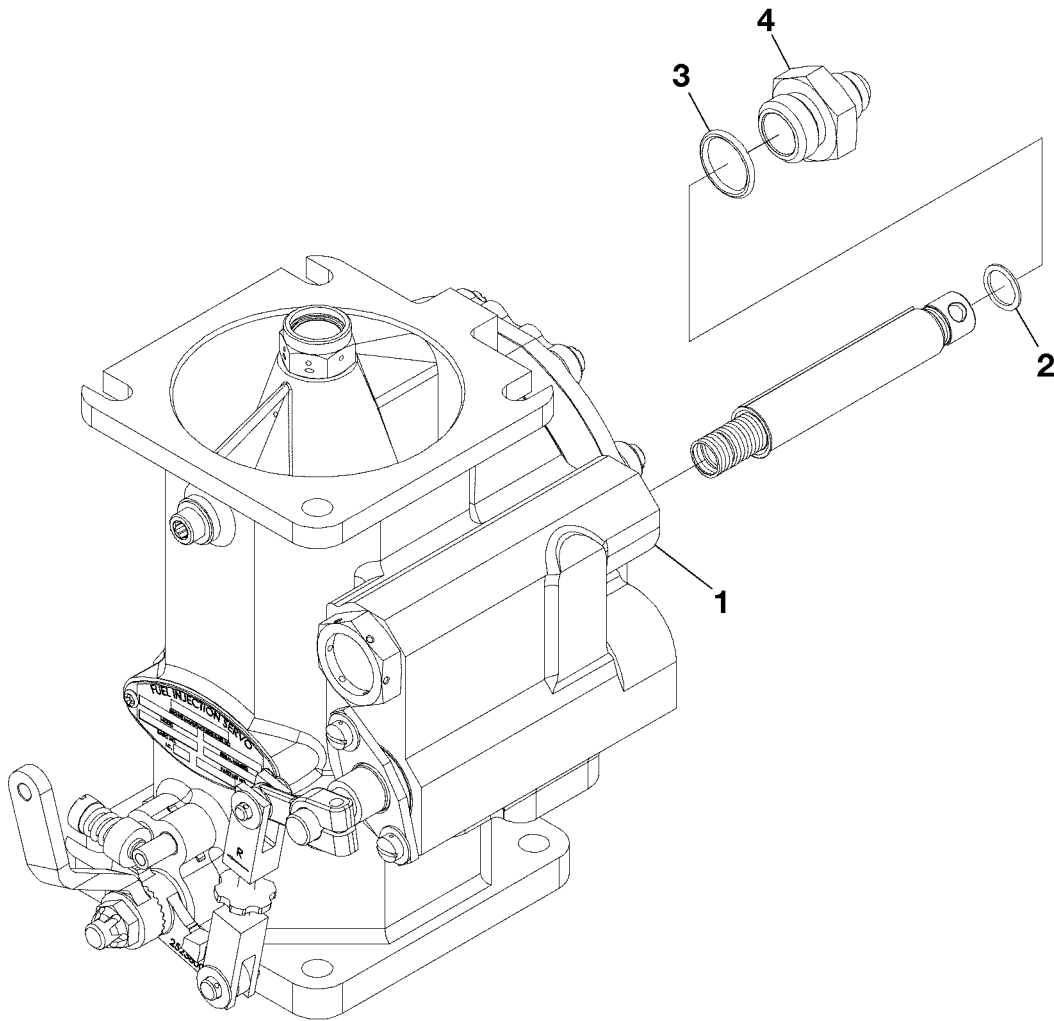
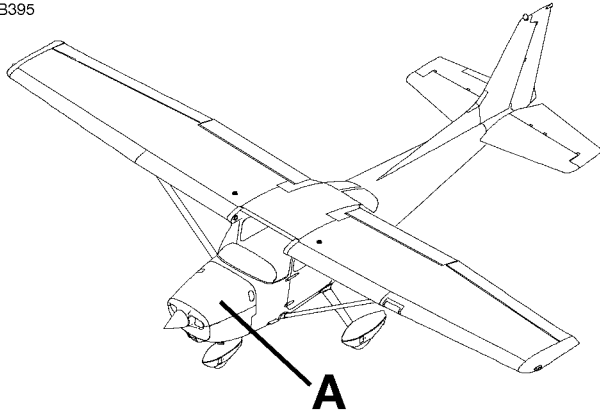
CHAPTER SECTION SUBJECT		NUMBER OF PAGES	DATE
73 - TITLE			
73 - LIST OF EFFECTIVE PAGES			
73 - RECORD OF TEMPORARY REVISIONS			
73 - TABLE OF CONTENTS			
73-10-00	Figure 01	2	Jul 1/2016
73-30-00	Figure 01	2	Jul 1/2016

CESSNA AIRCRAFT COMPANY
MODEL 172 (SERIES 1996 AND ON)
ILLUSTRATED PARTS CATALOG

<u>SUBJECT</u>	CHAPTER	<u>FIGURE</u>	EFFECTIVITY	
	SECTION		<u>START</u>	<u>END</u>
	<u>SUBJECT</u>			
FUEL INJECTION SYSTEM	73-10-00	01		
FUEL FLOW SYSTEM	73-30-00	01		

CESSNA AIRCRAFT COMPANY
MODEL 172 (SERIES 1996 AND ON)
ILLUSTRATED PARTS CATALOG

B395



DETAIL A

ART USED BY PERMISSION
OF PRECISION AIRMOTIVE

FUEL INJECTION SYSTEM
FIGURE 01 (SHEET 1)

0510T1007
A0556T1002

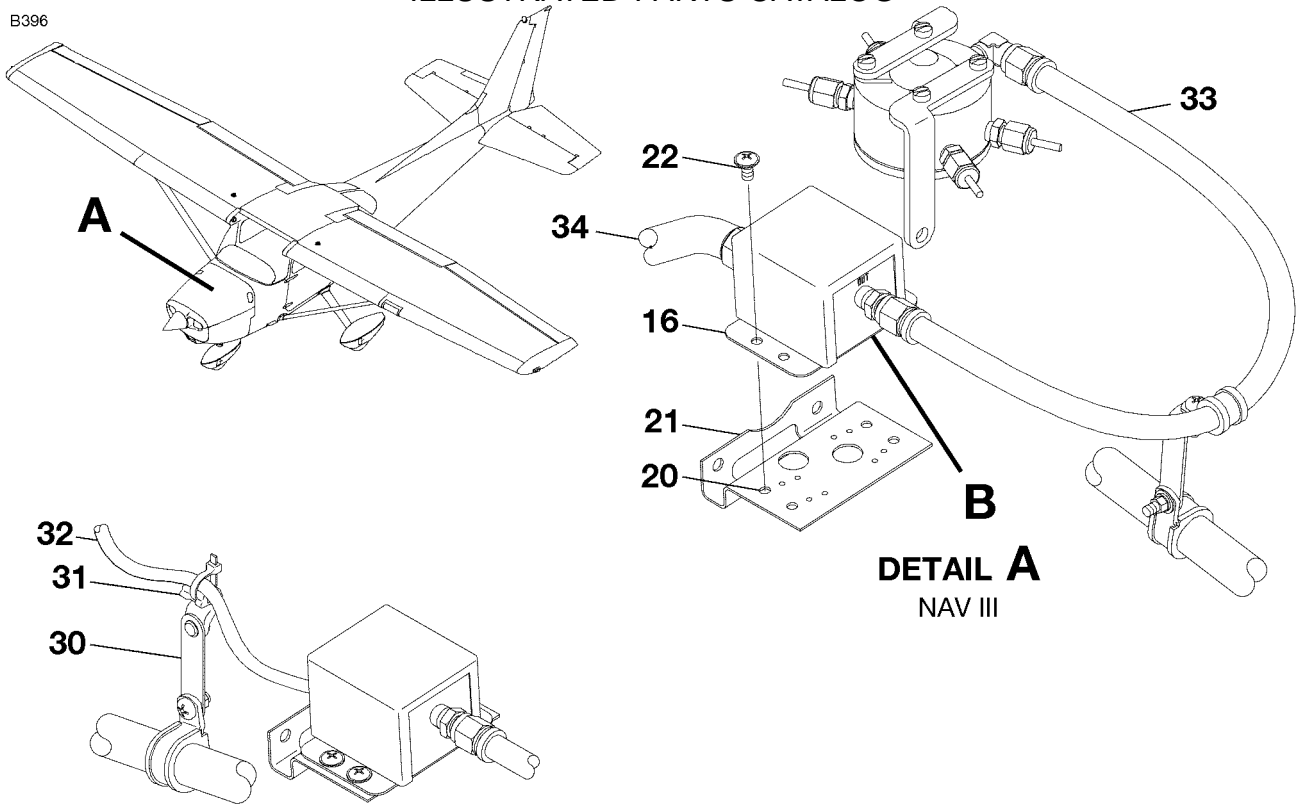
CESSNA AIRCRAFT COMPANY
MODEL 172 (SERIES 1996 AND ON)
 ILLUSTRATED PARTS CATALOG

FIG ITEM	PART NUMBER	1 2 3 4 5 6 7	NOMENCLATURE	UNITS PER ASSY
01			FUEL INJECTION SYSTEM	RF
-				
1	2576536-2		. SERVO-FUEL INJECTION REFER TO NOTE 1 V65702	01
2	953541-10		. O-RING-INLET SCREEN V65702	01 R
3	951789		. O-RING-INLET FITTING V65702	01 R
4	2577129		. FITTING-INLET V65702	01 R
- 5			. FUEL SYSTEM REFER TO 28-21-00 FIGURE 01	RF
- 6			. POWER PLANT REFER TO 71-00-01 FIGURE 01	RF

NOTE 1—REFER TO SUPPLIERS PUBLICATIONS

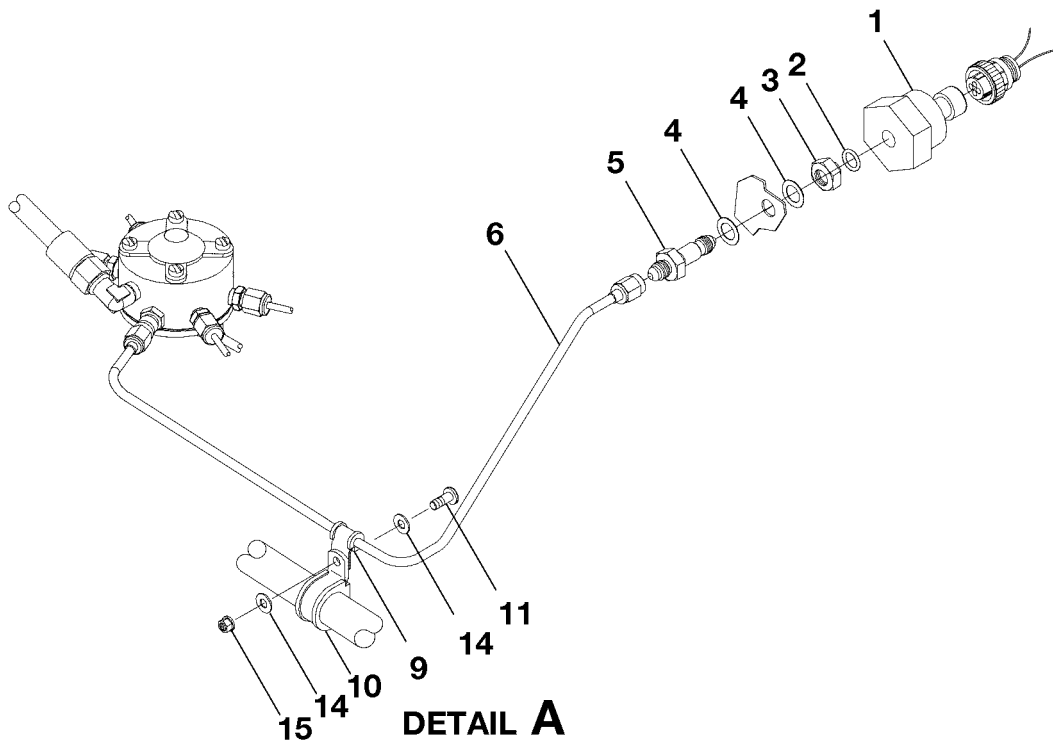
CESSNA AIRCRAFT COMPANY
MODEL 172 (SERIES 1996 AND ON)
 ILLUSTRATED PARTS CATALOG

B396



DETAIL A
 NAV III

DETAIL B



DETAIL A

FUEL FLOW SYSTEM
 FIGURE 01 (SHEET 1)

0510T1007
 A0556T1007
 A0556T1009
 B0556T1010

CESSNA AIRCRAFT COMPANY
MODEL 172 (SERIES 1996 AND ON)
ILLUSTRATED PARTS CATALOG

FIG ITEM	PART NUMBER	NOMENCLATURE	UNITS	
			PER	ASSY
01		FUEL FLOW SYSTEM		RF
-				
1	P165-5282	. TRANSDUCER-FUEL PRESSURE V22863		01 R
- 1A	P265-5055-1	. TRANSDUCER-FUEL PRESSURE- ALT FOR P165-5282 V22863		01 R
- 1B	CM2692-13J1S	. PLUG BUTTON NAV III 172	81241 & ON	01 R
- 1C	CM2692-13J1S	. PLUG BUTTON NAV III 172S	09810 & ON	01 R
		ATTACHING PARTS		
2	MS28778-3	. O-RING		01
3	AS5178-03	. NUT		01 R
4	NAS1149F0616P	. WASHER		02
5	AN832-3	. BULKHEAD FITTING		01
		—*—		
6	0500118-169	. FUEL PRESSURE LINE ASSY 172	80001 80990	01
- 6A	0500118-169	. FUEL PRESSURE LINE ASSY 172S	08001 08720	01
- 6B	0556033-1	. FUEL PRESSURE LINE ASSY 172 REFER TO NOTE 1	80991 81240	01
- 6C	0556033-1	. FUEL PRESSURE LINE ASSY 172S REFER TO NOTE 1	08721 09809	01
- 6D	0556033-2	. FUEL PRESSURE LINE ASSY 172	81241 & ON	01
- 6E	0556033-2	. FUEL PRESSURE LINE ASSY 172S	09810 & ON	01
- 7	AN818-3J	. NUT		02
- 8	MS20819-3J	. SLEEVE FSO AS5176-03		NP
- 8A	AS5176-03	. SLEEVE		02
		ATTACHING PARTS		
9	MS21919WDG3	. CLAMP		01
10	MS21919WDG12	. CLAMP		01
11	MS35207-263	. SCREW 172	80001 81240	01
- 11A	MS35207-263	. SCREW 172S	08001 09809	01
- 12	MS35207-264	. SCREW 172	81241 & ON	01
- 13	MS35207-264	. SCREW 172S	09810 & ON	01
14	NAS1149D0332K	. WASHER		02
15	MS21042L3	. NUT		01
16	680501K	. FUEL FLOW TRANSDUCER 172 NAV III	81241 & ON	01
- 17	680501K	. FUEL FLOW TRANSDUCER 172S NAV III	09810 & ON	01
- 18	0756043-3	. TRANSDUCER BRACKET ASSY 172 NAV III	81241 & ON	01
- 19	0756043-3	. TRANSDUCER BRACKET ASSY 172S NAV III	09810 & ON	01
20	MS21051-3	. NUTPLATE NAV III		04
21	0756043-4	. TRANSDUCER BRACKET NAV III		01
		ATTACHING PARTS		
22	AN525-10R6	. SCREW 172 NAV III		04
		—*—		
- 23	MS21919WDG6	. CLAMP REFER TO NOTE 1		01
- 24	MS21919WDG9	. CLAMP REFER TO NOTE 1		01
- 25	MS21042L3	. NUT REFER TO NOTE 1		01
- 26	MS35207-263	. SCREW REFER TO NOTE 1		01
- 27	NAS1149D0332K	. WASHER REFER TO NOTE 1		02
- 28	S2209-1	. TIE REFER TO NOTE 1		01
- 29	S2209-5	. TIE REFER TO NOTE 1		01
30	S2300-6	. BRACKET NAV III FUEL FLOW TRANSDUCER HARNESS 172	81241 & ON	02
- 30A	S2300-6	. BRACKET NAV III FUEL FLOW TRANSDUCER HARNESS 172S	09810 & ON	02
31	S2034-2	. MOUNT NAV III FUEL FLOW TRANSDUCER HARNESS 172	81241 & ON	02
- 31A	S2034-2	. MOUNT NAV III FUEL FLOW TRANSDUCER HARNESS 172S	09810 & ON	02
32		. FUEL FLOW TRANSDUCER HARNESS NAVIII-REFER TO WIRING DIAGRAM MANUAL		RF
33	LW-12798-4S172	. HOSE ASSEMBLY V71379		01
34	LW-12798-4S370	. HOSE ASSEMBLY V71379		01

NOTE 1—AIRPLANES 17280001 THRU 17280990 AND AIRPLANES 172S8001 THRU 172S8720 INCORPORATING SB01-71-01

CHAPTER

74

IGNITION

CESSNA AIRCRAFT COMPANY
MODEL 172 (SERIES 1996 AND ON)
ILLUSTRATED PARTS CATALOG

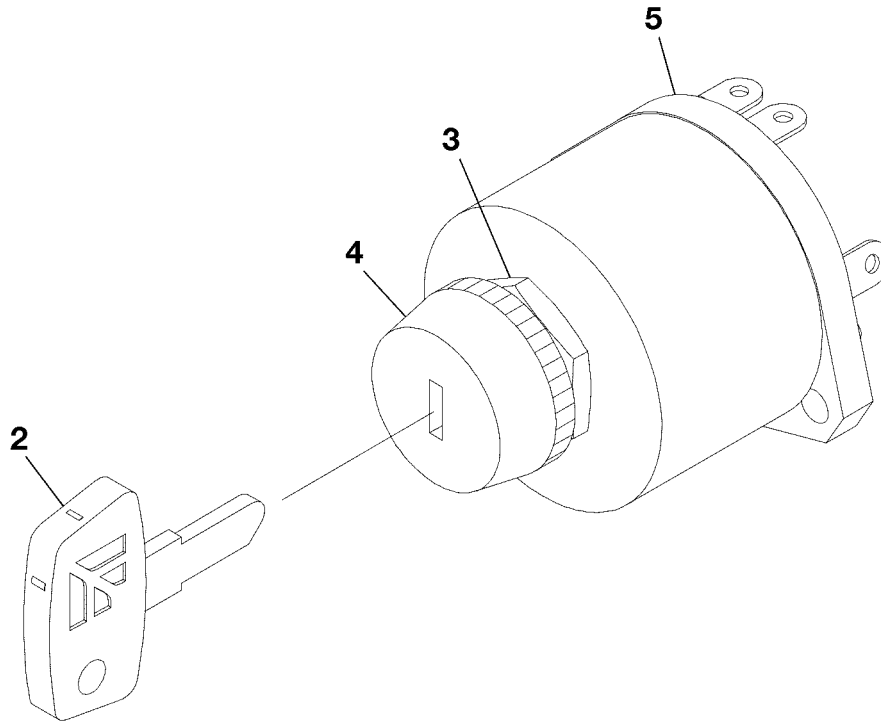
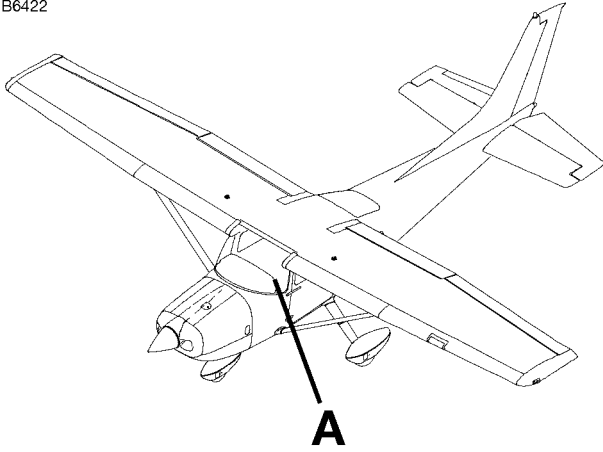
CHAPTER SECTION SUBJECT		NUMBER OF PAGES	DATE
74 - TITLE			
74 - LIST OF EFFECTIVE PAGES			
74 - RECORD OF TEMPORARY REVISIONS			
74 - TABLE OF CONTENTS			
74-00-00	Figure 01	2	Jul 1/2010

CESSNA AIRCRAFT COMPANY
MODEL 172 (SERIES 1996 AND ON)
ILLUSTRATED PARTS CATALOG

<u>SUBJECT</u>	<u>CHAPTER SECTION SUBJECT</u>	<u>FIGURE</u>	<u>EFFECTIVITY</u>	
			<u>START</u>	<u>END</u>
IGNITION SWITCH	74-00-00	01		

CESSNA AIRCRAFT COMPANY
MODEL 172 (SERIES 1996 AND ON)
ILLUSTRATED PARTS CATALOG

B6422



DETAIL A

IGNITION SWITCH
FIGURE 01 (SHEET 1)

0710T1001
A0718T1108

CESSNA AIRCRAFT COMPANY
MODEL 172 (SERIES 1996 AND ON)
 ILLUSTRATED PARTS CATALOG

FIG ITEM	PART NUMBER	NOMENCLATURE	UNITS PER ASSY
	1 2 3 4 5 6 7		
01		IGNITION SWITCH	
-		. SWITCH KIT	RF
- 1	C292501-0109	. SWITCH KIT	01
2	S3547-1	. KEY ASSEMBLY	01
3	C253001-0102	. LOCK ASSY	01
4	C292501-0107	. SWITCH	01 R
5	A3770	. TERMINAL BOARD REPAIR KIT V65873	01

- ITEM NOT ILLUSTRATED

CHAPTER

76

ENGINE CONTROLS

CESSNA AIRCRAFT COMPANY
MODEL 172 (SERIES 1996 AND ON)
ILLUSTRATED PARTS CATALOG

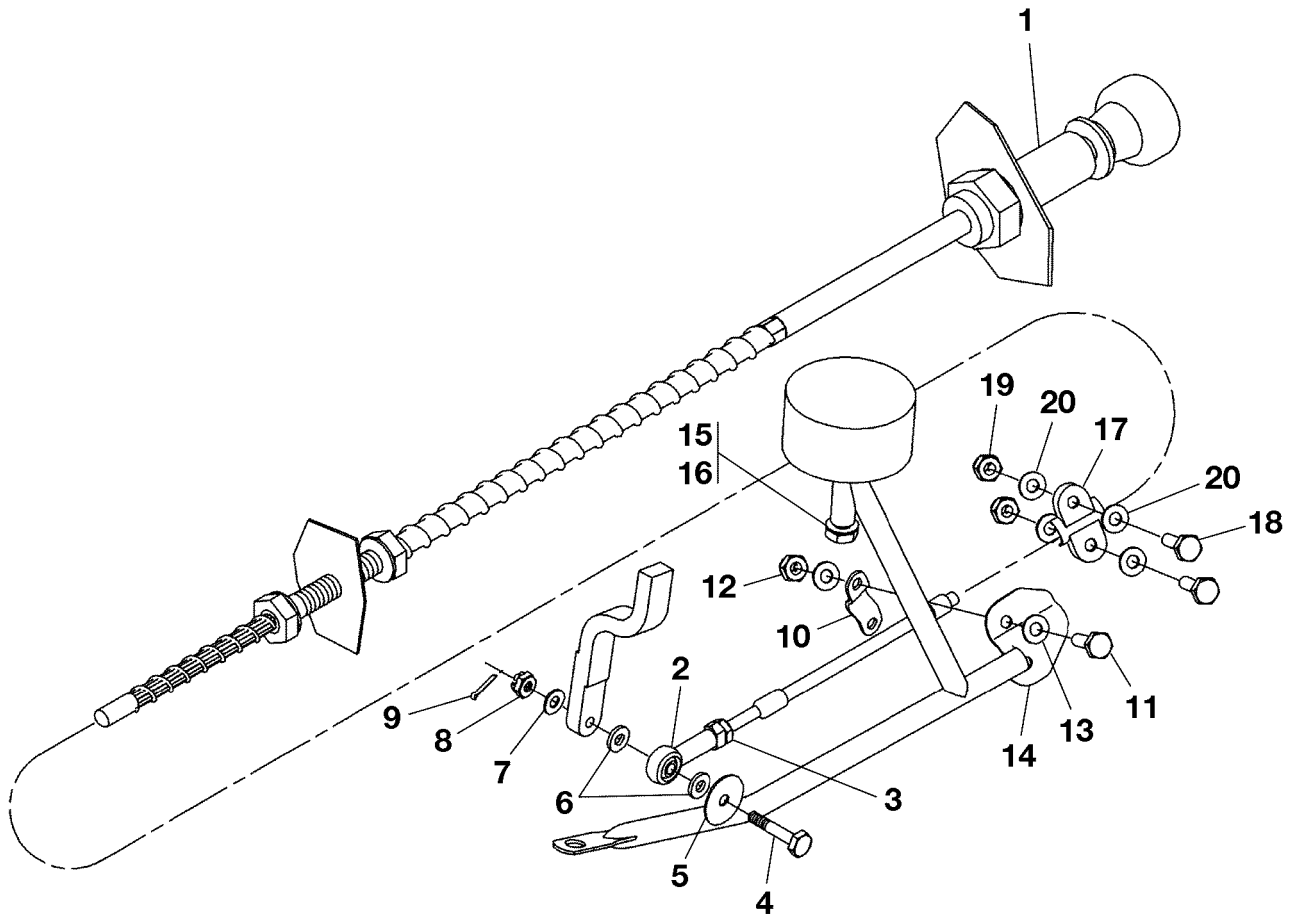
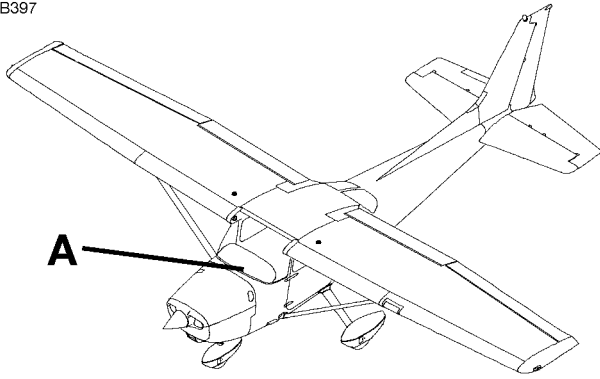
CHAPTER SECTION SUBJECT		NUMBER OF PAGES	DATE
76 - TITLE			
76 - LIST OF EFFECTIVE PAGES			
76 - RECORD OF TEMPORARY REVISIONS			
76 - TABLE OF CONTENTS			
76-10-00	Figure 01	2	Jan 1/2012
76-11-00	Figure 01	2	Jul 1/2013

CESSNA AIRCRAFT COMPANY
MODEL 172 (SERIES 1996 AND ON)
ILLUSTRATED PARTS CATALOG

<u>SUBJECT</u>	<u>CHAPTER SECTION SUBJECT</u>	<u>FIGURE</u>	<u>EFFECTIVITY</u>	
			<u>START</u> _____	<u>END</u>
THROTTLE CONTROL INSTALLATION	76-10-00	01		
FUEL MIXTURE CONTROL INSTALLATION	76-11-00	01		

CESSNA AIRCRAFT COMPANY
MODEL 172 (SERIES 1996 AND ON)
ILLUSTRATED PARTS CATALOG

B397



DETAIL A

THROTTLE CONTROL INSTALLATION
FIGURE 01 (SHEET 1)

0510T1007
A0515R1007

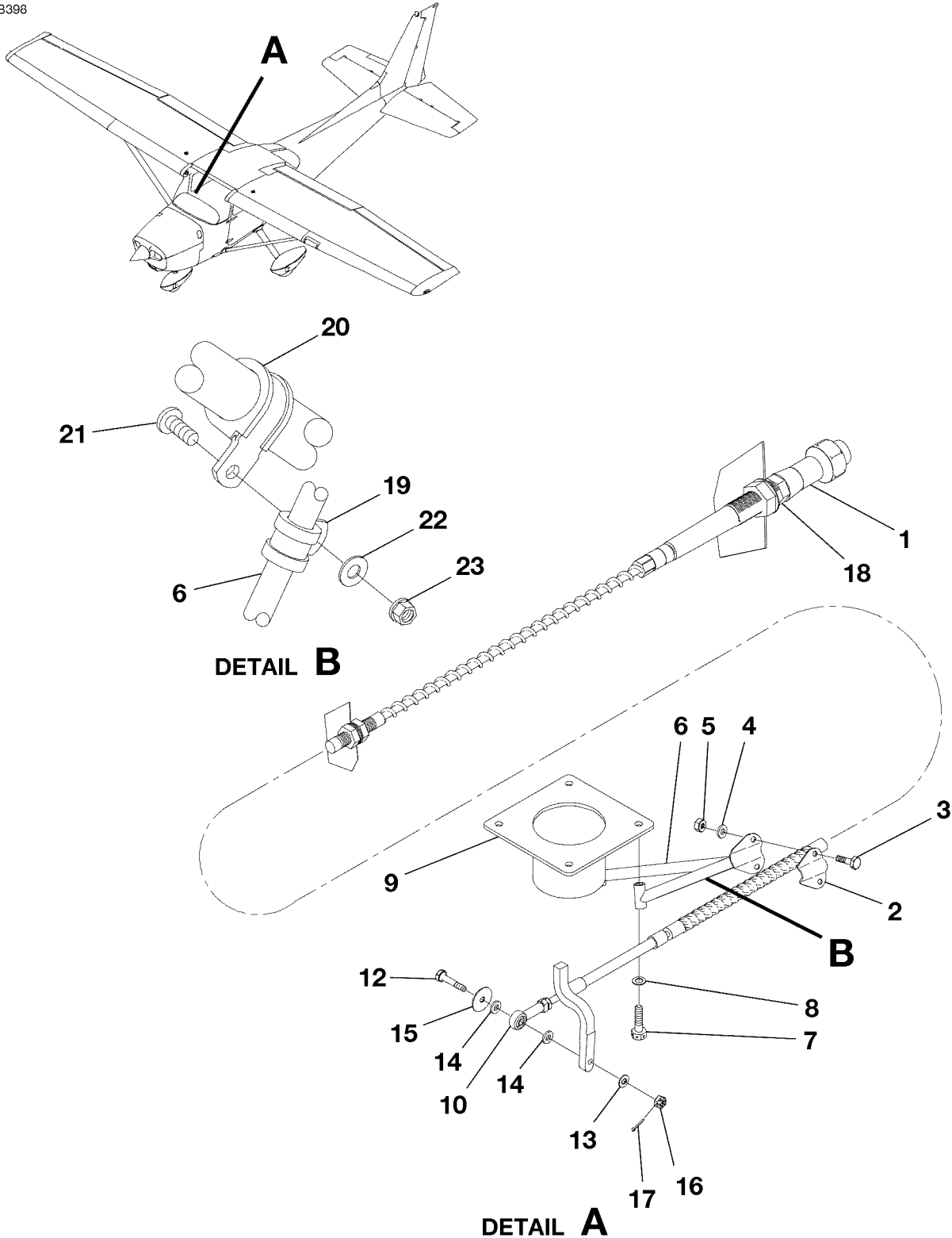
CESSNA AIRCRAFT COMPANY
MODEL 172 (SERIES 1996 AND ON)
ILLUSTRATED PARTS CATALOG

FIG ITEM	PART NUMBER	NOMENCLATURE	UNITS	
			PER	ASSY
01		THROTTLE CONTROL INSTALLATION		RF
-				
1	565-549-021	. CONTROL ASSY-THROTTLE 172 FSO 6403	V06970 80001	81387 NP
- 1A	565-549-021	. CONTROL ASSY-THROTTLE 172S FSO 6403	V06970 08001	10485 NP
- 1B	2003	. CONTROL ASSY-THROTTLE 172 FSO 6403	VMCFA 81388	81573 NP R
- 1C	2003	. CONTROL ASSY-THROTTLE 172S FSO 6403	VMCFA 10486	11086 NP R
- 1D	6403	. CONTROL ASSY-THROTTLE 172	VMCFA 81574	& ON 01 R
- 1E	6403	. CONTROL ASSY-THROTTLE 172S	VMCFA 11087	& ON 01 R
2	S1104-3	. ROD END		01
- 2A	MW-3M-53	. BEARING ALT FOR S1104-3		01
3	AN315-3R	. NUT		01
4	AN3-10	. BOLT		01
5	S1450-3-14-032	. WASHER		01
6	NAS1149C0363R	. WASHER		02
7	NAS1149C0332R	. WASHER		01
8	AN310-3	. NUT		01
9	MS24665-132	. PIN-COTTER		01
10	0750620-3	. CLAMP		01
11	AN3-5A	. BOLT		02
12	MS21045L3	. NUT		02
13	NAS1149F0332P	. WASHER		02
14	0551024-3	. THROTTLE SUPPORT - 172S	08001	& ON 01
- 14A	0551024-3	. THROTTLE SUPPORT - 172	80329	& ON 01
- 14B	0551024-1	. THROTTLE SUPPORT - 172	80001	80328 01
15	MS20074-04-21	. BOLT - 172		01
- 15A	MS20074-04-21	. BOLT - 172S		01
16	NAS1149F0432P	. WASHER		01
17	0750620-3	. CLAMP - 172S		01
18	AN3-5A	. BOLT - 172S		02
19	MS21045L3	. NUT - 172S		02
20	NAS1149F0332P	. WASHER - 172S		04

- ITEM NOT ILLUSTRATED

CESSNA AIRCRAFT COMPANY
MODEL 172 (SERIES 1996 AND ON)
 ILLUSTRATED PARTS CATALOG

B398



FUEL MIXTURE CONTROL INSTALLATION
 FIGURE 01 (SHEET 1)

0510T1007
 A0515T1008
 B0514T1048

CESSNA AIRCRAFT COMPANY
MODEL 172 (SERIES 1996 AND ON)
ILLUSTRATED PARTS CATALOG

FIG ITEM	PART NUMBER	NOMENCLATURE	UNITS PER ASSY			
			1	2	3	4
01		FUEL MIXTURE CONTROL INSTALLATION				RF
-						
1	565-548-041	. CONTROL ASSY FUEL MIXTURE 172 FSO 6404-1	V06970	80001	81158	NP R
- 1A	565-548-041	. CONTROL ASSY FUEL MIXTURE 172S FSO 6404-1	V06970	08001	09355	NP R
- 1B	565-548-071	. CONTROL ASSY FUEL MIXTURE 172 FSO 6404-1	V06970	81159	81387	NP R
- 1C	565-548-071	. CONTROL ASSY FUEL MIXTURE 172S FSO 6404-1	V06970	09356	10485	NP R
- 1D	2004	. CONTROL ASSY FUEL MIXTURE 172 FSO 6404-1	VMCFA	81388	81573	NP R
- 1E	2004	. CONTROL ASSY FUEL MIXTURE 172S FSO 6404-1	VMCFA	10486	11086	NP R
- 1F	6404	. CONTROL ASSY FUEL MIXTURE 172 FSO 6404-1	VMCFA	81574	81622	NP R
- 1G	6404	. CONTROL ASSY FUEL MIXTURE 172S FSO 6404-1	VMCFA	11087	11301	NP R
- 1H	6404-1	. CONTROL ASSY FUEL MIXTURE 172	VMCFA	81623	& ON	01 R
- 1J	6404-1	. CONTROL ASSY FUEL MIXTURE 172S	VMCFA	11302	& ON	01 R
2	0750620-3	. CLAMP				01
		ATTACHING PARTS				
3	AN3-5A	. BOLT				02
4	NAS1149F0363P	. WASHER				02
5	MS21045L3	. NUT				02
		—*—				
6	0750625-1	. BRACKET-MIXTURE CONTROL				01
		ATTACHING PARTS				
7	MS20074-04-15	. BOLT				02
8	NAS1149F0432P	. WASHER				02
		—*—				
9		. ADAPTOR ASSY-INLET REFER TO 71-60-00 FIGURE 01				RF
10	S1104-3	. ROD END				01
- 11	MW-3M-53	. BEARING ALT FOR S1104-3				01
- 12	AN3-10	. BOLT				01
13	NAS1149C0332R	. WASHER				01
14	NAS1149C0363R	. WASHER				02
15	S1450-3-14-032	. WASHER				01
16	AN310-3	. NUT				01
17	MS24665-132	. COTTER PIN				01
18	165-510-012	. SPLIT FRICTION WASHER REFER TO NOTE 1				01
19	MS21919WDG6	. CLAMP 172		81188	& ON	01
- 19A	MS21919WDG6	. CLAMP 172S		09491	& ON	01
20	MS21919WDG11	. CLAMP 172		81188	& ON	01
- 20A	MS21919WDG11	. CLAMP 172S		09491	& ON	01
		ATTACHING PARTS				
21	MS35207-263	. SCREW				01
22	NAS1149F0332P	. WASHER				01
23	MS21042L3	. NUT				01
		—*—				

NOTE 1—AIRPLANES INCORPORATING MK172-70-01.

CHAPTER

77

ENGINE INDICATING

CESSNA AIRCRAFT COMPANY
MODEL 172 (SERIES 1996 AND ON)
ILLUSTRATED PARTS CATALOG

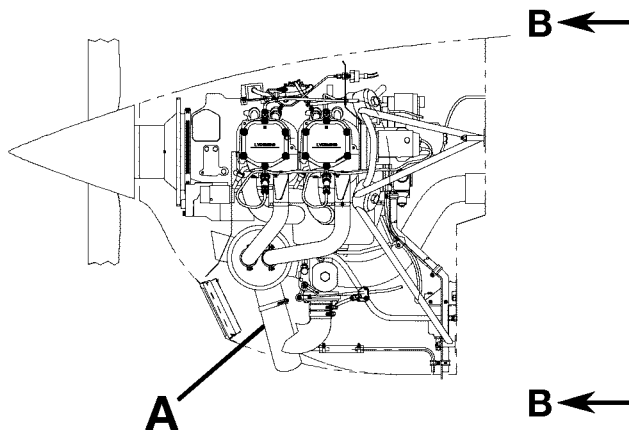
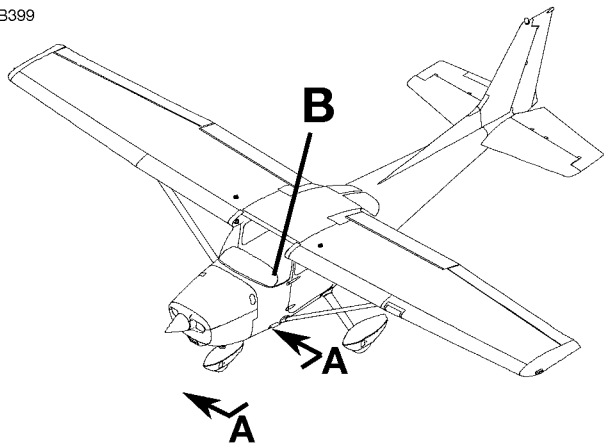
CHAPTER SECTION SUBJECT		NUMBER OF PAGES	DATE
77 - TITLE			
77 - LIST OF EFFECTIVE PAGES			
77 - RECORD OF TEMPORARY REVISIONS			
77 - TABLE OF CONTENTS			
77-20-00	Figure 01	2	Jan 1/2012
77-40-00	Figure 01	2	Dec 1/2007

CESSNA AIRCRAFT COMPANY
MODEL 172 (SERIES 1996 AND ON)
ILLUSTRATED PARTS CATALOG

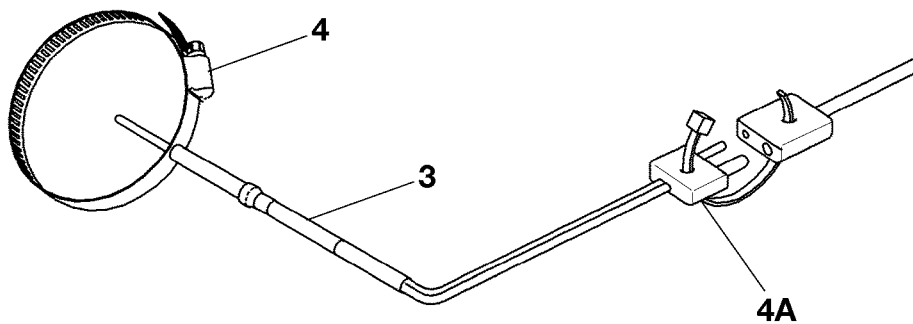
<u>SUBJECT</u>	CHAPTER	<u>FIGURE</u>	EFFECTIVITY	
	SECTION		<u>START</u>	<u>END</u>
	<u>SUBJECT</u>			
EXHAUST TEMPERATURE GAUGE INSTALLATION	77-20-00	01		
ENGINE POWER SYSTEM	77-40-00	01		

CESSNA AIRCRAFT COMPANY
MODEL 172 (SERIES 1996 AND ON)
 ILLUSTRATED PARTS CATALOG

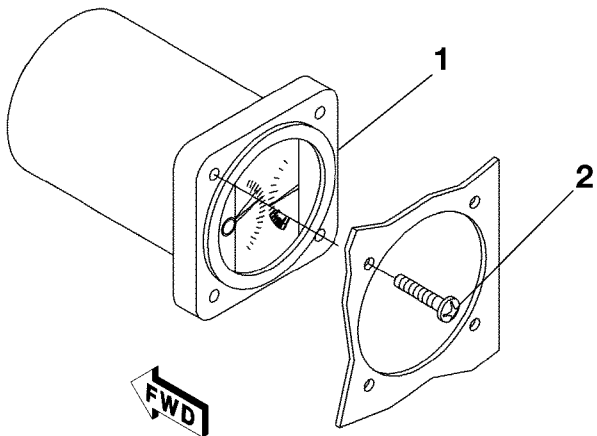
B399



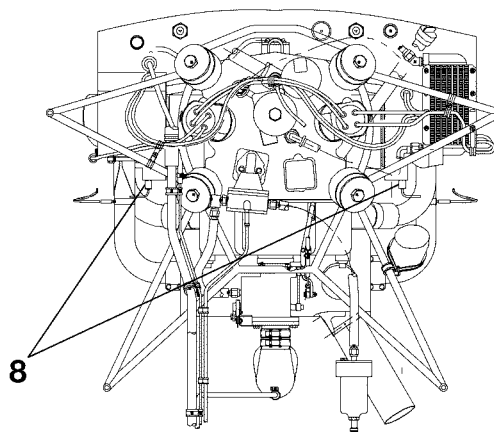
VIEW A-A



DETAIL A



DETAIL B



VIEW B-B

0510T1007
 A0518R1157
 AA0518T1049
 B0518T1048
 BB0518T1049

EXHAUST TEMPERATURE GAUGE INSTALLATION
 FIGURE 01 (SHEET 1)

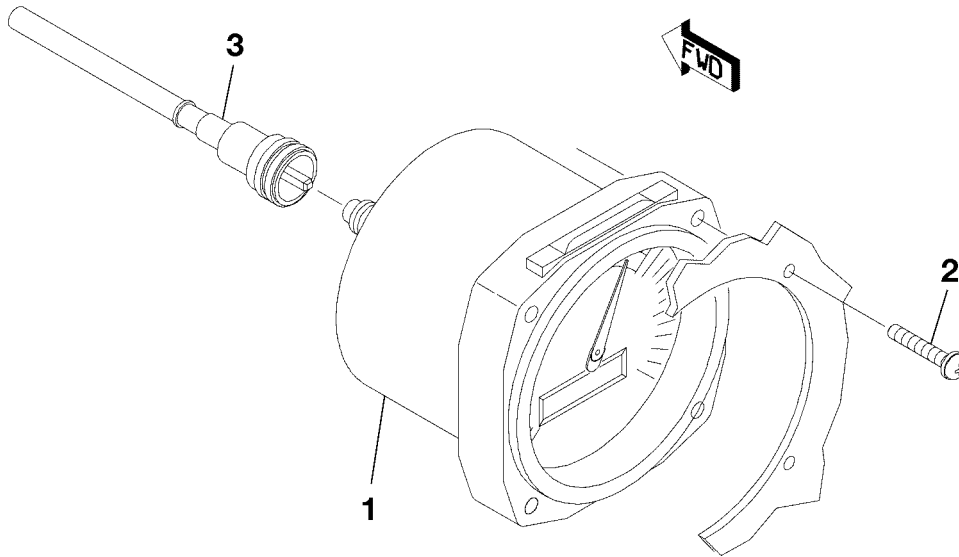
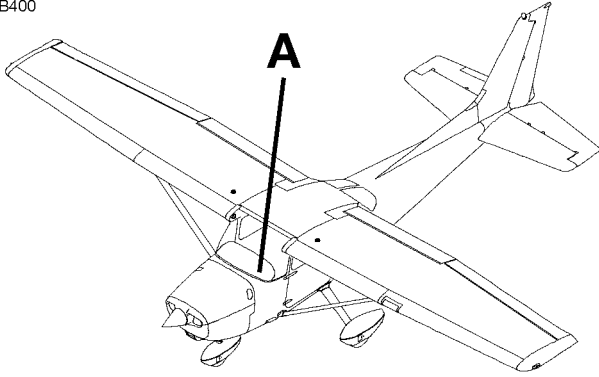
CESSNA AIRCRAFT COMPANY
MODEL 172 (SERIES 1996 AND ON)
ILLUSTRATED PARTS CATALOG

FIG ITEM	PART NUMBER	NOMENCLATURE	UNITS	
			PER	ASSY
		1 2 3 4 5 6 7		
01		EXHAUST TEMPERATURE GAUGE INSTALLATION		RF
-		. INDICATOR-EXHAUST GAS TEMP. & FUEL FLOW GAL. FSO S3277-6 172	80001	80906 NP
1	S3277-2	. E1014		
- 1A	S3277-6	. INDICATOR-FUEL FLOW & EXHAUST GAS TEMP. GAL. 172 E1014	80907	& ON 01
- 1B	S3277-4	. INDICATOR-FUEL FLOW & EXHAUST GAS TEMP. GAL. FSO S3277-8	08001	08491 NP
		. REFER TO NOTE 1 E1014 172S		
- 1C	S3277-8	. INDICATOR-FUEL FLOW & EXHAUST GAS TEMP. GAL. 172S E1014	08492	& ON 01
- 1D	S3277-3	. INDICATOR-EGT FUEL FLOW LITERS GERMAN FSO S3277-7 E1014	80172	80906 NP
- 1E	S3277-7	. INDICATOR-FUEL FLOW & EXHAUST GAS TEMP. GAL. - GERMAN 172	80907	& ON 01
		. E1014 REFER TO NOTE 1		
- 1F	S3277-5	. INDICATOR-FUEL FLOW & EXHAUST GAS TEMP. GAL. - GERMAN FSO	08410	08491 NP
		. S3277-9 172S E1014		
- 1G	S3277-9	. INDICATOR-FUEL FLOW & EXHAUST GAS TEMP. GAL. - GERMAN 172S	08492	& ON 01
		. E1014 REFER TO NOTE 1		
		ATTACHING PARTS		
2	S3484-6-14G1	. SCREW		04
		—*—		
3	86317	. PROBE-EGT UN005 172 REFER TO NOTE 2	V2B785 81187	& ON 01
- 3A	86317	. PROBE-EGT UN005 172S REFER TO NOTE 2	V2B785 09490	& ON 01
- 3B	86316	. PROBE-EGT UN005 FSO 86317 172 REFER TO NOTE 2	V2B785 80773 81186	NP
- 3C	86316	. PROBE-EGT UN005 FSO 86317 172S REFER TO NOTE 2	V2B785 08251 09489	NP
- 3D	TE-40998-02	. PROBE-EGT FSO 86317 172	V0MXP2 80694 80772	NP
- 3E	TE-40998-02	. PROBE-EGT FSO 86317 172S	V0MXP2 08103 08250	NP
- 3F	TE-10985-02	. PROBE-EGT FSO 86317 172	V0MXP2 80001 80693	NP
- 3G	TE-10985-02	. PROBE-EGT FSO 86317 172S	V0MXP2 08001 08102	NP
4	PCLM-GMP	. CLAMP REFER TO NOTE 3		01
4A	NMP-K-M	. THERMOCOUPLE CONNECTOR		01
- 5		. WIRE BUNDLE ASSY REFER TO WIRING DIAGRAM MANUAL		RF
- 5A		. FUEL QUANTITY REFER TO 28-22-00 FIGURE 03		RF
- 6		. INSTRUMENT PANEL REFER TO 31-00-00 FIGURE 01		RF
- 7		. EXHAUST REFER TO 78-10-00 FIGURE 01		RF
8	32DKWUE006F0126	. PROBE-CHT NAV III 172	V1G202 81241	& ON 04 R
- 8A	32DKWUE006F0126	. PROBE-CHT NAV III 172S	V1G202 09810	& ON 04 R
		ATTACHING PARTS		
- 9	AN4076-1	. FITTING-USED WITH 32DKWUE006F0126 CHT THERMOCOUPLE		04
		—*—		

NOTE 1—AIRPLANES 172S8001 THRU 172S8491 AND AIRPLANES 17280159 AND ON INCORPORATING MK172-72-01.
NOTE 2—ON INITIAL INSTALLATION OF 86317 PROBE ALSO ORDER MK172-77-01
NOTE 3—SCREWS ARE INCLUDED WHEN ORDERING THIS PART

CESSNA AIRCRAFT COMPANY
MODEL 172 (SERIES 1996 AND ON)
ILLUSTRATED PARTS CATALOG

B400



DETAIL A

ENGINE POWER SYSTEM
FIGURE 01 (SHEET 1)

0510T1007
A0514T1018

CESSNA AIRCRAFT COMPANY
MODEL 172 (SERIES 1996 AND ON)
 ILLUSTRATED PARTS CATALOG

FIG ITEM	PART NUMBER	NOMENCLATURE	UNITS	
			PER	ASSY
01		ENGINE POWER SYSTEM		RF
-				
1	S3329-1	. INDICATOR-TACHOMETER 172R EI005		01
- 1A	S3329-5	. INDICATOR-TACHOMETER 172S & 172R AIRPLANES INCORPORATING MK172-72-01 EI005 ATTACHING PARTS		01
2	S3484-6-14G1	. SCREW —*—		04
3	S2550-15	. DRIVE-TACHOMETER 172	81075	& ON 01
- 3A	S2550-15	. DRIVE-TACHOMETER 172S	08908	& ON 01
- 3B	S2550-17	. DRIVE-TACHOMETER FSO S2550-15 W/(2) S1095-3 172	80952	81074 NP
- 3C	S2550-17	. DRIVE-TACHOMETER FSO S2550-15 W/(2) S1095-3 172S	08554	08907 NP
- 3D	S2550-2	. DRIVE-TACHOMETER FSO S2550-15 172	80001	80952 NP
- 3E	S2550-2	. DRIVE-TACHOMETER FSO S2550-15 172S	08001	08553 NP
- 3F	1A3C-1	. TACH SENDING UNIT-NAV III 172	81241	81394 01 R
- 3G	1A3C-1	. TACH SENDING UNIT-NAV III 172S	09810	10513 01 R
- 3H	1A3C-2	. TACH SENDING UNIT-NAV III 172	81395	& ON 01 R
- 3J	1A3C-2	. TACH SENDING UNIT-NAV III 172S	10514	& ON 01 R
- 5	S1095-3	. SHIELD HALF- REPLACES S2550-17 ALSO NEED S2550-12		02
- 6		. INSTRUMENT PANEL REFER TO 31-00-00 FIGURE 01		RF

- ITEM NOT ILLUSTRATED

CHAPTER

78

EXHAUST

CESSNA AIRCRAFT COMPANY
MODEL 172 (SERIES 1996 AND ON)
ILLUSTRATED PARTS CATALOG

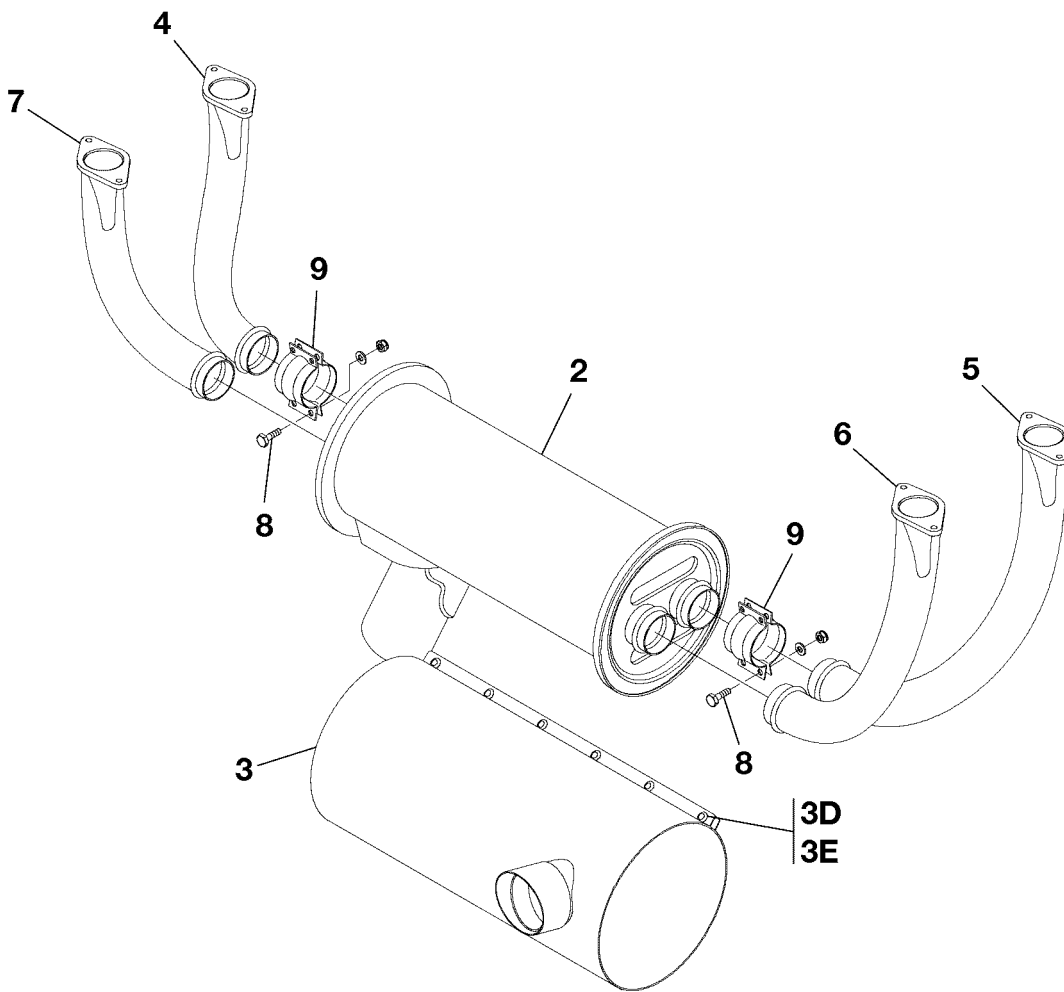
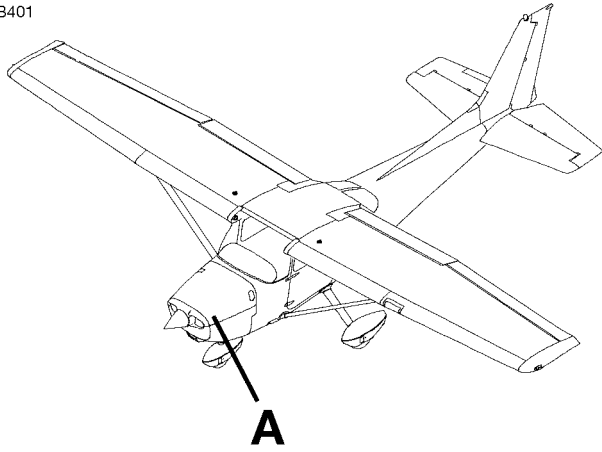
CHAPTER SECTION SUBJECT		NUMBER OF PAGES	DATE
78 - TITLE			
78 - LIST OF EFFECTIVE PAGES			
78 - RECORD OF TEMPORARY REVISIONS			
78 - TABLE OF CONTENTS			
78-10-00	Figure 01	2	Jul 1/2010

CESSNA AIRCRAFT COMPANY
MODEL 172 (SERIES 1996 AND ON)
ILLUSTRATED PARTS CATALOG

<u>SUBJECT</u>	<u>CHAPTER SECTION SUBJECT</u>	<u>FIGURE</u>	<u>EFFECTIVITY</u>	
			<u>START</u>	<u>END</u>
EXHAUST SYSTEM ASSEMBLY	78-10-00	01		

CESSNA AIRCRAFT COMPANY
MODEL 172 (SERIES 1996 AND ON)
ILLUSTRATED PARTS CATALOG

B401



DETAIL A

EXHAUST SYSTEM ASSEMBLY
FIGURE 01 (SHEET 1)

0510T1007
A0555T2001

CESSNA AIRCRAFT COMPANY
MODEL 172 (SERIES 1996 AND ON)
ILLUSTRATED PARTS CATALOG

FIG ITEM	PART NUMBER	NOMENCLATURE	UNITS	
			PER	ASSY
01		EXHAUST SYSTEM ASSEMBLY		RF
-		. EXHAUST SYSTEM ASSY-REPLACES 0554012-1, REPLACES 9954100-1 . . .		01
- 1	9954100-10	. . MUFFLER ASSY FSO 9954100-2 172	80001	80598 NP
- 2	0554011-2	. . MUFFLER ASSY FSO 9954100-2 172	80599	80599 NP
- 2A	0554011-4	. . MUFFLER ASSY FSO 9954100-9 172	80600	80727 NP
- 2B	9954100-2	. . MUFFLER ASSY FSO 9954100-9 172S	08001	08205 NP
- 2C	9954100-2	. . MUFFLER ASSY 172	80728	& ON 01
- 2D	9954100-9	. . MUFFLER ASSY 172S	08206	& ON 01
- 2E	9954100-9	. . SHROUD ASSY ASSY-HEATER FSO 9954100-3 172	80001	80598 NP
- 3	0554001-9	. . SHROUD ASSY ASSY-HEATER FSO 9954100-3 172	80599	80599 NP
- 3A	0554001-12	. . SHROUD ASSY ASSY-HEATER 172	80600	& ON 01
- 3B	9954100-3	. . SHROUD ASSY ASSY-HEATER 172S		01
- 3C	9954100-3	. . SCREW		06 R
- 3D	S1021Z8-8	. . CLIP NUT		06 R
- 3E	S4213-12	. . RISER ASSY-RH AFT FSO 9954100-4 172	80001	80599 NP
- 4	1754007-1	. . RISER ASSY-RH AFT 172	80600	& ON 01
- 4A	9954100-4	. . RISER ASSY-RH AFT 172S		01
- 4B	9954100-4	. . RISER ASSY-LH AFT FSO 9954100-5 172	80001	80599 NP
- 5	1754008-3	. . RISER ASSY-LH AFT 172	80600	& ON 01
- 5A	9954100-5	. . RISER ASSY-LH AFT 172S		01
- 5B	9954100-5	. . RISER ASSY-LH FWD FSO 9954100-6 172	80001	80599 NP
- 6	1754009-3	. . RISER ASSY-LH FWD 172	80600	& ON 01
- 6A	9954100-6	. . RISER ASSY-LH FWD 172S		01
- 6B	9954100-6	. . RISER ASSY-RH FWD FSO 9954100-7 172	80001	80599 NP
- 7	1754010-1	. . RISER ASSY-RH FWD 172	80600	& ON 01
- 7A	9954100-7	. . RISER ASSY-RH FWD 172S		01
- 7B	9954100-7	. . HARDWARE KIT (INCLUDES SCREWS)		01
- 8	9954100-8	. . CLAMP HALF		08
- 9	1555014-2	. . GASKET REFER TO SUPPLIERS PUBLICATION FOR ENGINE		RF
- 10		. . EXHAUST INDICATOR REFER TO 77-20-00 FIGURE 01		RF
- 11				

CHAPTER

79

OIL

CESSNA AIRCRAFT COMPANY
MODEL 172 (SERIES 1996 AND ON)
ILLUSTRATED PARTS CATALOG

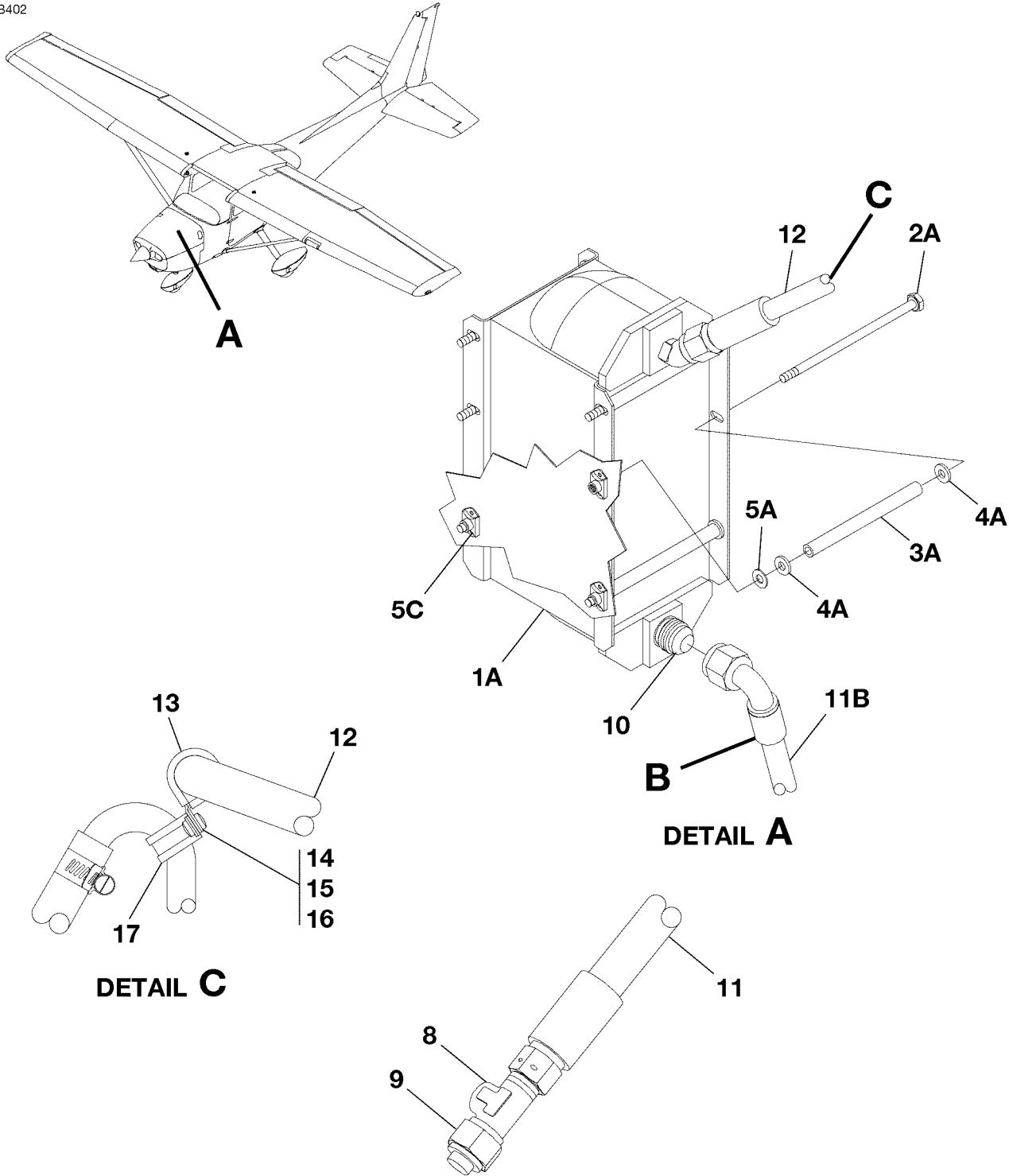
CHAPTER SECTION SUBJECT		NUMBER OF PAGES	DATE
79 - TITLE			
79 - LIST OF EFFECTIVE PAGES			
79 - RECORD OF TEMPORARY REVISIONS			
79 - TABLE OF CONTENTS			
79-20-00	Figure 01	2	Jul 1/2010
79-30-00	Figure 01	2	Jul 1/2016

CESSNA AIRCRAFT COMPANY
MODEL 172 (SERIES 1996 AND ON)
ILLUSTRATED PARTS CATALOG

<u>SUBJECT</u>	CHAPTER	<u>FIGURE</u>	<u>EFFECTIVITY</u>	
	<u>SECTION</u>		<u>START</u>	<u>END</u>
OIL COOLER INSTALLATION	79-20-00	01		
OIL INDICATING SYSTEM	79-30-00	01		

CESSNA AIRCRAFT COMPANY
MODEL 172 (SERIES 1996 AND ON)
 ILLUSTRATED PARTS CATALOG

B402



DETAIL B

AIRPLANES 17280001 THRU 17280058

OIL COOLER INSTALLATION
 FIGURE 01 (SHEET 1)

0510T1007
 A0555T1010
 B0550T1004
 C0550T1004A

CESSNA AIRCRAFT COMPANY
MODEL 172 (SERIES 1996 AND ON)
ILLUSTRATED PARTS CATALOG

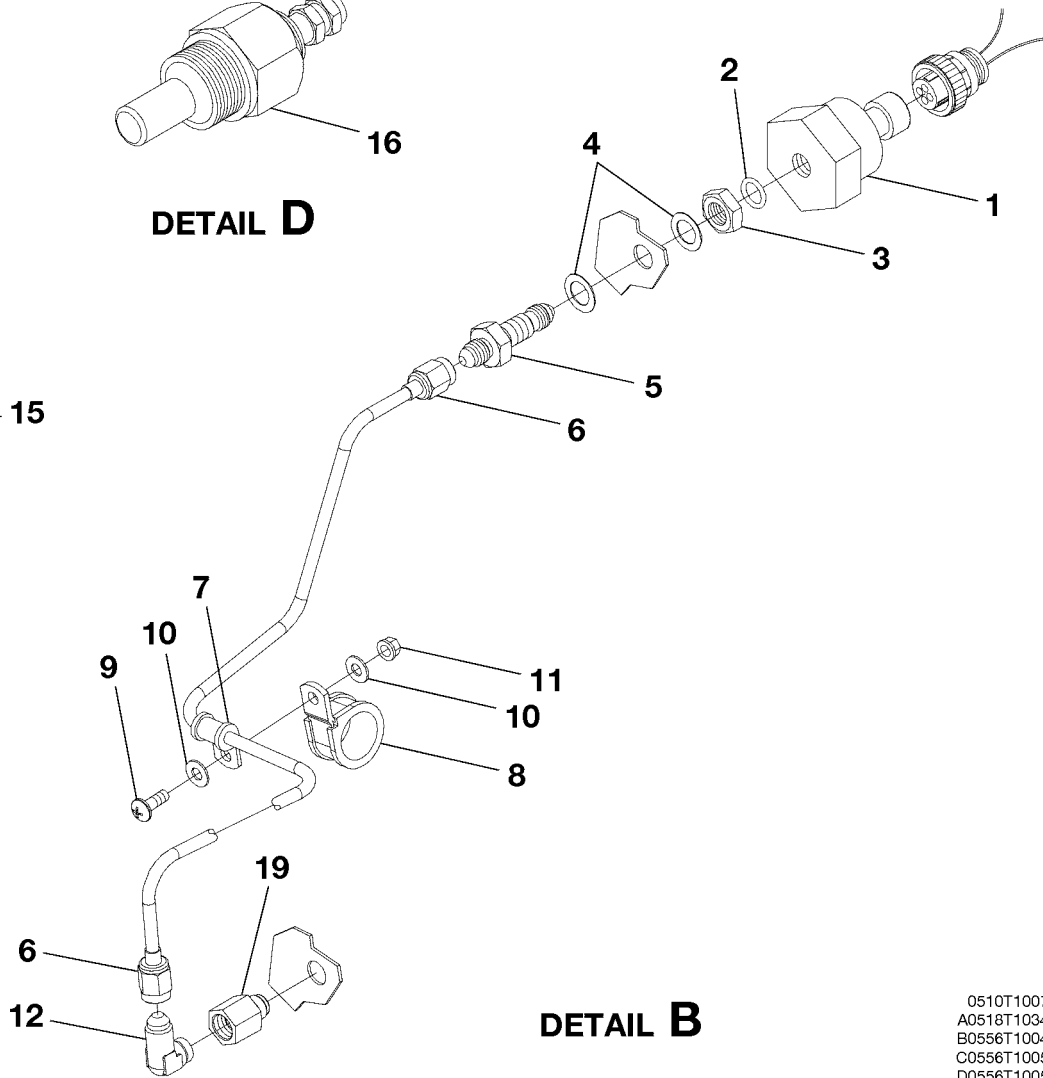
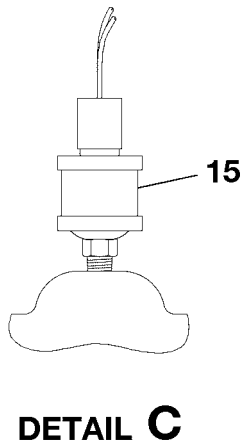
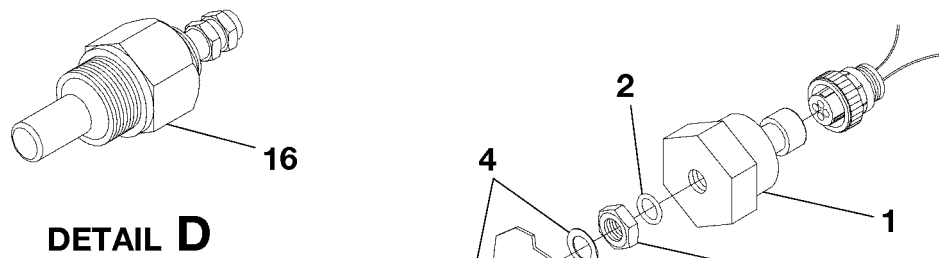
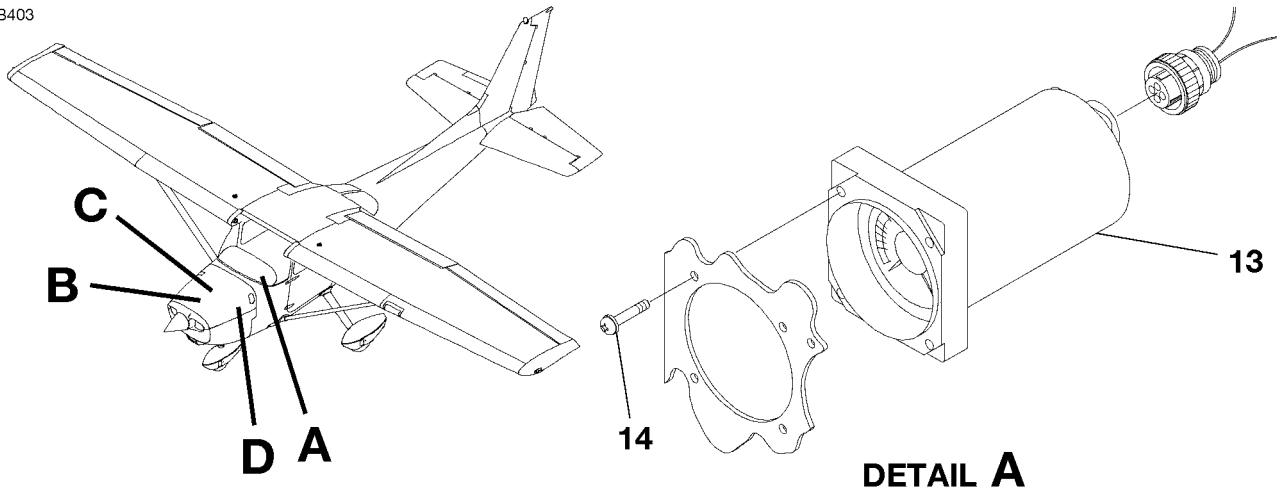
FIG ITEM	PART NUMBER	NOMENCLATURE	UNITS	
			PER	ASSY
01		OIL COOLER INSTALLATION		RF
- 1	8406R	. OIL COOLER 172	V78385 80001	80697 01
1A	10877A	. OIL COOLER 172 REFER TO NOTE 1	V78385 80698	& ON 01
- 1B	10877A	. OIL COOLER 172S	V78385 08001	& ON 01
		ATTACHING PARTS		
- 2	AN3-42A	. BOLT 172	80001	80697 04
2A	AN3-40A	. BOLT 172	80698	& ON 06
- 2B	AN3-40A	. BOLT 172S		06
- 3	NAS43HT3-216	. SPACER 172	80001	80697 04
3A	NAS43HT3-216	. SPACER 172	80698	& ON 06
- 3B	NAS43HT3-216	. SPACER 172S		06
- 4	NAS1149F0363P	. WASHER 2 FOR EACH BOLT 172	80001	80697 08
4A	NAS1149C0363R	. WASHER 2 FOR EACH BOLT 172	80698	& ON 12
- 4B	NAS1149C0363R	. WASHER 2 FOR EACH BOLT 172S		12
- 5	NAS1149F0332P	. WASHER 172 REFER TO NOTE 2	80001	80697 AR
5A	NAS1149C0332R	. WASHER 172S REFER TO NOTE 2	80698	& ON AR
- 5B	NAS1149C0332R	. WASHER 172 REFER TO NOTE 2		AR
		—*—		
5C	MS21075-3E	. NUTPLATE		06
- 6	S2179-1	. SEAL 3.50 IN LG BKI		AR
- 7	MS20825-8	. TEE 172	80001	80058 02
- 7A	500454-8S	. ELBOW 172	80059	80816 02
- 7B	MS20823-8	. ELBOW 172	80816	& ON 02
- 7C	MS20823-8	. ELBOW 172S		02
8	MS20825-8	. TEE	80001	80058 01
9	0556018-2	. CAP ASSY	80001	80058 01
10	AS5194-0806	. ADAPTER 172	80059	81567 01 R
- 10A	AS5194-0806	. ADAPTER 172S	08001	11055 01 R
- 10B	MS20822-8	. ELBOW 172	81568	& ON 01 R
- 10C	MS20822-8	. ELBOW 172S	11056	& ON 01 R
11	AE3663161H0144	. HOSE ASSY 172	V00624 80001	80058 01
- 11A	AE3663161H0140	. HOSE ASSY 172	V00624 80059	80616 01 R
11B	AE6695H0180-180	. HOSE ASSY 172	V00624 80617	81567 01 R
- 11C	AE6695H0180-180	. HOSE ASSY 172S	V00624 08001	11055 01 R
- 11D	AE3663161H0184	. HOSE ASSY 172	V00624 81568	& ON 01 R
- 11E	AE3663161H0184	. HOSE ASSY 172S	V00624 11056	& ON 01 R
12	AE3663161H0184	. HOSE ASSY	V00624	01
13	MS21919WDG14	. CLAMP 172	80329	& ON 01
14	MS35207-264	. SCREW	80329	& ON 01
15	NAS1149F0332P	. WASHER	80329	& ON 01
16	MS21042L3	. NUT	80329	& ON 01
17	MS21919WDG10	. CLAMP	80329	& ON 01

NOTE 1—AIRPLANES 17280698 AND ON AND AIRPLANES 17280001 THRU 17280697 INCORPORATING MK172-72-01

NOTE 2—ADD OR REMOVE WASHERS AS REQUIRED TO PREVENT OIL COOLER FLANGES FROM BENDING UPON INSTALLATION

CESSNA AIRCRAFT COMPANY
MODEL 172 (SERIES 1996 AND ON)
 ILLUSTRATED PARTS CATALOG

B403



OIL INDICATING SYSTEM
 FIGURE 01 (SHEET 1)

0510T1007
 A0518T1034
 B0556T1004
 C0556T1005
 D0556T1005

CESSNA AIRCRAFT COMPANY
MODEL 172 (SERIES 1996 AND ON)
ILLUSTRATED PARTS CATALOG

FIG ITEM	PART NUMBER	NOMENCLATURE	UNITS			
			1	2	3	PER ASSY
01		OIL INDICATING SYSTEM				RF
-						
1	P165-5281	. TRANSDUCER-OIL PRESSURE 172	V22863	80001	81622	01 R
- 1A	P165-5281	. TRANSDUCER-OIL PRESSURE 172S	V22863	08001	11679	01 R
- 1B	P265-5037-1	. TRANSDUCER-OIL PRESSURE 172 ALT FOR P165-5281	V22863	81623	& ON	01 R
- 1C	P265-5037-1	. TRANSDUCER-OIL PRESSURE 172S ALT FOR P165-5281	V22863	11680	& ON	01 R
2	MS28778-3	. O-RING				01
3	AN924-3	. NUT				01
4	NAS1149F0616P	. WASHER				02
5	AN832-3	. FITTING-BULKHEAD				01
6	0500118-170	. OIL PRESSURE LINE ASSY				01
7	MS21919WDG3	. CLAMP				01
8	MS21919WDG12	. CLAMP				01
		ATTACHING PARTS				
9	MS35207-263	. SCREW				01
10	NAS1149D0332K	. WASHER				02
11	MS21042L3	. NUT				01
		—*—				
12	0756003-1	. FITTING-ORIFICE FSO 0556032-1				01
13	S3279-1	. INDICATOR-OIL TEMPERATURE & PRESSURE EI001				01
- 13A	S3353-1	. . LAMP-INTERNAL				01
		ATTACHING PARTS				
14	S3484-6-12G1	. SCREW				04
		—*—				
15	83278	. SENSOR-OIL PRESSURE (HOBBS SWITCH) SN001 172		80831	& ON	01
- 15A	83278	. SENSOR-OIL PRESSURE (HOBBS SWITCH) SN001 172S		08348	& ON	01
- 15B	77041	. SENSOR-OIL PRESSURE FSO 83278 (HOBBS SWITCH) SN001 172		80001	80830	NP
- 15C	77041	. SENSOR-OIL PRESSURE FSO 83278 (HOBBS SWITCH) SN001 172S		08001	08347	NP
16	S2335-1	. SENSOR-OIL TEMPERATURE UN004				01
- 17	5578426	. . GASKET SENSOR-OIL TEMPERATURE	V91547			01
- 18		. WIRE BUNDLE ASSY REFER TO WIRING DIAGRAM MANUAL				RF
19	S2590-1	. ADAPTER 172		81247	& ON	01
- 19A	S2590-1	. ADAPTER 172S		09854	& ON	01

- ITEM NOT ILLUSTRATED

CHAPTER

800

STARTING

CESSNA AIRCRAFT COMPANY
MODEL 172 (SERIES 1996 AND ON)
ILLUSTRATED PARTS CATALOG

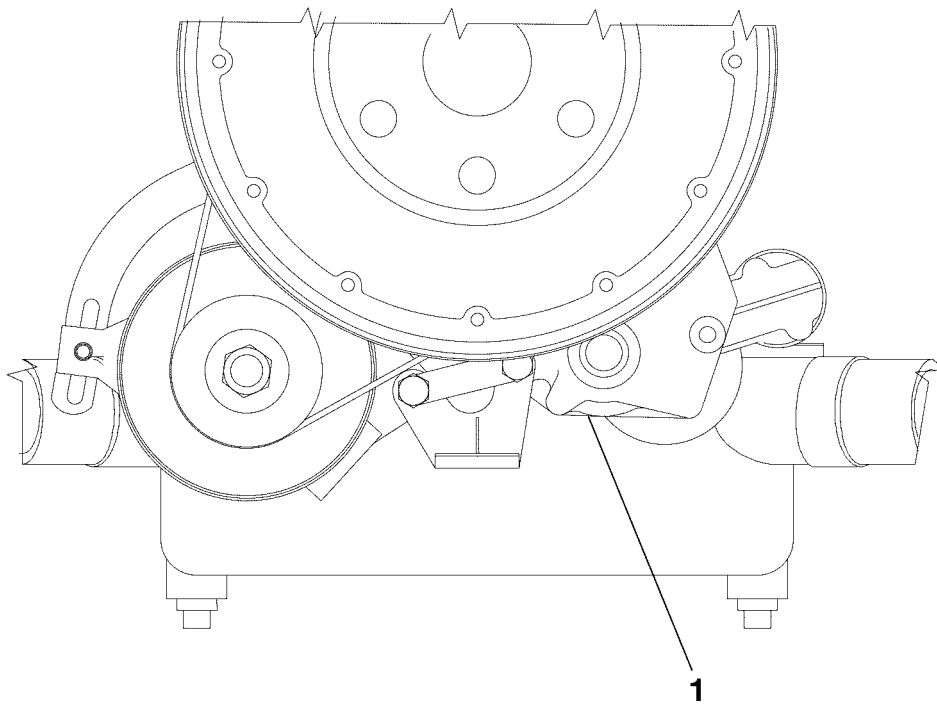
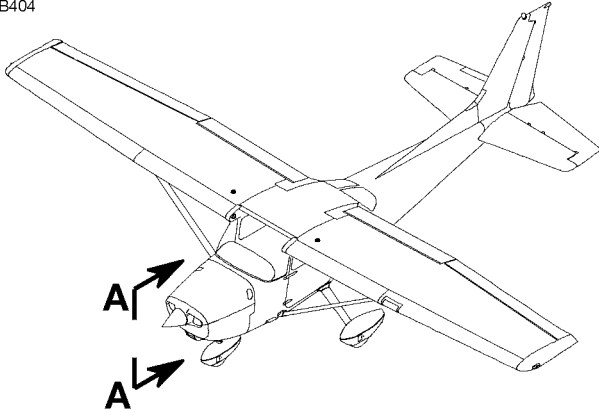
CHAPTER SECTION SUBJECT		NUMBER OF PAGES	DATE
80 - TITLE			
80 - LIST OF EFFECTIVE PAGES			
80 - RECORD OF TEMPORARY REVISIONS			
80 - TABLE OF CONTENTS			
80-10-00	Figure 01	2	Jul 1/2010

CESSNA AIRCRAFT COMPANY
MODEL 172 (SERIES 1996 AND ON)
ILLUSTRATED PARTS CATALOG

<u>SUBJECT</u>	<u>CHAPTER SECTION SUBJECT</u>	<u>FIGURE</u>	<u>EFFECTIVITY</u>	
			<u>START</u>	<u>END</u>
STARTER INSTALLATION	80-10-00	01		

CESSNA AIRCRAFT COMPANY
MODEL 172 (SERIES 1996 AND ON)
ILLUSTRATED PARTS CATALOG

B404



VIEW A-A

**STARTER INSTALLATION
FIGURE 01 (SHEET 1)**

0510T1007
A0550T1008

CESSNA AIRCRAFT COMPANY
MODEL 172 (SERIES 1996 AND ON)
 ILLUSTRATED PARTS CATALOG

FIG ITEM	PART NUMBER	NOMENCLATURE	UNITS PER ASSY	
			1 2 3 4 5 6 7	
01		STARTER INSTALLATION		RF
-		. STARTER PM2401 172	V65702 80001	81376 NP
- 1	31B22207	. STARTER PM2401 172S	V65702 08001	10461 NP
- 1A	31B22207	. STARTER 172 REFER TO NOTE 1	V1MTQ9 81377	81566 01 R
- 1B	149-NL	. STARTER 172S REFER TO NOTE 1	V1MTQ9 10462	11049 01 R
- 1C	149-NL	. STARTER 172	V1MTQ9 81567	& ON 01 R
- 1D	149-NL/EC	. STARTER 172S	V1MTQ9 11050	& ON 01 R
- 1E	149-NL/EC	. SEAL 172 REFER TO NOTE 1	81377	& ON 01 R
- 1F	0555324-22	. SEAL 172S REFER TO NOTE 1	10462	& ON 01 R
- 1G	0555324-22	. STARTER CABLE 172	80001	81376 NP
- 2	0570512-3	. STARTER CABLE 172S	08001	10461 NP
- 2A	0570512-3	. STARTER CABLE 172 REFER TO NOTE 1	81377	& ON 01
- 2B	0570512-8	. STARTER CABLE 172S REFER TO NOTE 1	10462	& ON 01
- 2C	0570512-8	. CLAMP-IGNITION WIRES		01
- 3	MS21919WDG12	. CLAMP-IGNITION WIRES		01
- 4	MS21919WDG8	. SCREW		01
- 5	MS35207-263	. WASHER		01
- 6	NAS1149F0332P	. NUT		01
- 7	MS21042L3	. HIGH TEMP TIE 172 REFER TO NOTE 1	81377	& ON 02
- 8	S2209A5A	. HIGH TEMP TIE 172S REFER TO NOTE 1	10462	& ON 02
- 8A	S2209A5A	. CONNECTOR 172 REFER TO NOTE 1	81377	& ON 02
- 9	S1781-2	. CONNECTOR 172S REFER TO NOTE 1	10462	& ON 02
- 9A	S1781-2	. PROPELLER REFER TO 61-10-00 FIGURE 01		RF
- 10				

NOTE 1—AIRPLANES 17280001 THRU 17281376 AND AIRPLANES 172S08001 THRU 172S10461 INCORPORATING MK172-80-01

